

HD 10/16-4 CAGE EX (ATEX)

Special class cold-water pressure washer designed specifically for use in potentially explosive environments.



Made in Germany



4-6 h



EASY!Force



EASY!Lock



CERTIFIED ACCORDING TO DIN 2014/34/EU

Order no. **1.353-904.0**

- Explosion protection Ex II 2 G Ex h IIB T3 Gb
- Crankshaft pump with ceramic pistons
- 4-pole air-cooled electric motor

Technical data

EAN code		4054278157887
Current type	Ph / V / Hz	3 / 400 / 50
Flow Rate	l/h	1000
Water feed temperature	°C	50
Operating pressure	bar / MPa	160 / 16
Max. Pressure	bar / MPa	220 / 22
Power rating	kW	5.5
Weight (with accessories)	kg	122.6
Weight incl. packaging	kg	131.2
Dimensions (L × W × H)	mm	980 × 720 × 1100

This device does not require instruction.

Equipment

Trigger gun		EASY!Force Ex protection
High-pressure hose	m	10 / DN 8,400 bar
Stainless steel spray lance	mm	1050
Stainless steel spray lance, conductive	mm	1050
Power nozzle		■
Pressure switch control		■
High pressure lance		■

■ Included in delivery.



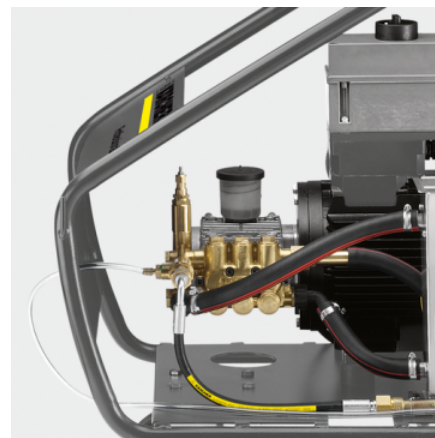
Powder-coated cage frame, conductive

- Robust tubular steel frame.
- Integrated crane attachment point.
- Protects the unit from damage.



Explosion-proof design

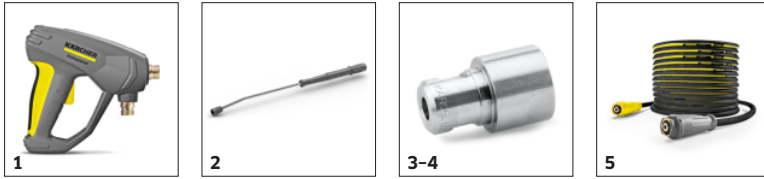
- Conductive rubber tyres.
- Surface temperature always under 200 °C.



Powerful and durable

- 4-pole, low-speed air-cooled electric motor.
- Robust brass cylinder head and ceramic pistons.
- Reliable and durable Kärcher high-performance crankshaft pump ensures optimal pressure.

EQUIPMENT FOR HD 10/16-4 CAGE EX (ATEX) 1.353-904.0



		Order no.	Description	
TRIGGER GUNS				
EASY!Force Ex	1	4.118-020.0	The new EASY!Force high-pressure gun does not fail to impress - even when used in explosion proof hazardous areas.	■
SPRAY LANCES				
Rotating spray lances				
Jet pipe explosion protected only for re, 1050 mm, rotatable	2	4.112-034.0	1050 mm stainless steel lance (manual coupling) with ergonomic handle for ease of use and protection. Rotatable 360° under pressure.	■
KÄRCHER POWER NOZZLE				
HP nozzle spray angle 0°				
Power nozzle 0°, 060	3	2.113-036.0	Solid jet for very stubborn dirt and stains.	■
Power nozzle spray angle 25°				
Power Nozzle , 060	4	2.113-026.0	Fan jet nozzle for large-area coverage and stubborn dirt and stains.	■
HIGH-PRESSURE HOSES				
Special hoses				
High-pressure hose Ex, 10 m, DN 8, 400 bar, 2 × EASY!Lock	5	6.110-064.0	Electrically conductive longlife high-pressure hose for use in hazardous areas with risks of explosions. Delivered with factory certification on conductivity.	■

■ Included in delivery. □ Available accessories.