

## HD 7/12-4 M CAGE

The HD 7/12-4 M Cage is a versatile and robust cold water machine thanks to the powder-coated steel tubular frame which ensures maximum protection of the pump.



Made in Germany



2-3 h



EASY!Force



EASY!Lock



AUTO SHUTDOWN

Order no.

1.524-948.0

- Robust 4-pole low-speed AC motor
- Robust, powder-coated tubular steel frame for maximum protection of pump unit
- Automatic pressure relief and up to 20 percent higher energy efficiency

### Technical data

EAN code		4054278649269
Current type	Ph / V / Hz	1 / 240 / 50
Flow Rate	l/h	700
Water feed temperature	°C	60
Operating pressure	bar / MPa	120 / 12
Max. Pressure	bar / MPa	180 / 18
Power rating	kW	3.1
Power cable	m	5
Weight (with accessories)	kg	42
Weight incl. packaging	kg	46.3
Dimensions (L × W × H)	mm	420 × 460 × 970

### Equipment

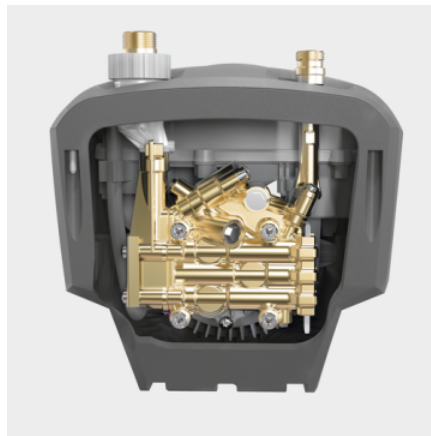
Trigger gun		EASY!Force
High-pressure hose	m	10 / Premium quality
Spray lance	mm	840
Power nozzle		■
Pressure switch control		■
Quick coupling		■

■ included in delivery.



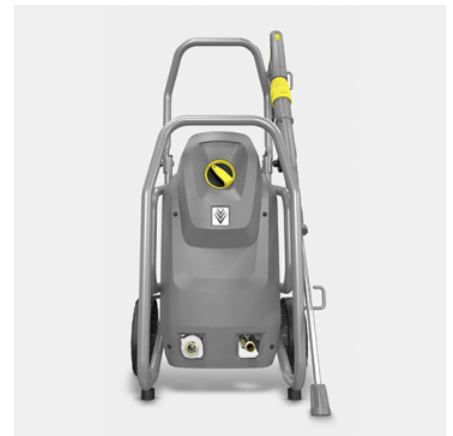
## Durable and sturdy

- Sturdy tubular steel frame protects all components.
- The tubular steel frame is also suitable for simple fastening and lashing of the machine in the service vehicle.
- Robust plastic chassis reliably protects the pump against damage and dirt.



## High-quality equipment

- Automatic pressure relief for protecting the components extends their service life.
- Powerful, 4-pole slow-running electric motor.
- High-quality brass cylinder head.



## Easy servicing

- Easy access to the cylinder head when bottom of machine is opened.
- Fast access to electrical box through simple removal of cover.
- Large, easily accessible water fine filter for protecting the pump against dirt particles in water.

## EQUIPMENT FOR HD 7/12-4 M CAGE 1.524-948.0



	Order no.	Description	
<b>TRIGGER GUNS</b>			
EASY!Force Advanced	1 4.118-005.0	Effortless, not energy-sapping: the EASY!Force high-pressure gun uses the recoil force of the high-pressure jet to reduce the holding force for the operator to zero.	■
EASY!Force conversion kit 1 - from high-pressure hose	2 4.111-050.0	For retrofitting Kärcher high-pressure cleaners with existing high-pressure hose: EASY!Force conversion kit 1 with EASY!Force high-pressure gun, spray lance and all adapters through to the nozzle.	□
EASY!Force conversion kit 2 - from machine	3 4.111-051.0	Developed for retrofitting existing high-pressure cleaners from Kärcher: EASY!Force conversion kit 2 with EASY!Force high-pressure gun, spray lance, high-pressure hose and necessary adapters.	□
EASY!Force conversion kit 3 - high-pressure gun	4 4.111-052.0	Compatible with existing high-pressure hose and spray lance: EASY!Force conversion kit 3, incl. EASY!Force trigger gun and all necessary adapters for upgrading your high-pressure cleaner.	□
<b>SPRAY LANCES</b>			
<b>Rotating spray lances</b>			
Spray lance, 840 mm, rotatable	5 4.112-006.0	850 mm stainless steel lance (manual coupling) with ergonomic handle for ease of use and protection. Rotatable 360° under pressure.	■
LED nozzle light	6 2.680-002.0	Bright, lightweight LED work light for direct mounting on spray lance of EASY!Force high-pressure gun. Better view in unfavourable lighting conditions for up to 5 working hours.	□
Spray lance, 250 mm, rotatable	7 4.112-027.0	Spray lance, 250 mm, rotatable, ergonomic	□
Spray lance, 400 mm, rotatable	8 4.112-024.0	Spray lance, 400 mm, rotatable, ergonomic	□
Spray lance, 600 mm, rotatable	9 4.112-007.0	600 mm stainless steel lance (manual coupling) with ergonomic handle for ease of use and protection. Rotatable 360° under pressure.	□
Spray lance, 1050 mm, rotatable	10 4.112-000.0	1050 mm stainless steel lance (manual coupling) with ergonomic handle for ease of use and protection. Rotatable 360° under pressure.	□
Spray lance, 1550 mm, rotatable	11 4.112-018.0	1550 mm stainless steel lance (manual coupling) with ergonomic handle for ease of use and protection. Rotatable 360° under pressure.	□
Spray lance, 2050 mm, rotatable	12 4.112-021.0	2050 mm stainless steel lance (manual coupling) with ergonomic handle for ease of use and protection. Rotatable 360° under pressure.	□
Spray lance extender, 1000 mm	13 4.112-048.0	Spray lance extension with EASY!Lock connection. Length 1000 mm.	□
<b>Double lance</b>			
Double lance, 960 mm	14 2.112-016.0	960 mm double lance for variable pressure adjustment on handle at full water flow rate. Suitable for agricultural use ( e.g. stable cleaning).	□

■ Included in delivery. □ Available accessories.

## EQUIPMENT FOR HD 7/12-4 M CAGE 1.524-948.0



		Order no.	Description	
<b>SPRAY LANCES</b>				
<b>Angular spray lance</b>				
WC and gutter lance	15	4.112-029.0	Stainless steel lance WC and gutter with nozzle insert. Specially shaped for effective and hygienic cleaning of gutters and toilets.	<input type="checkbox"/>
<b>Flexible spray lance</b>				
Flexible lance, 1050 mm	16	4.112-035.0	1050 mm flexible lance with variable bend from 20° to 140°, ideal for cleaning difficult to reach areas, e.g. gutters.	<input type="checkbox"/>
High pressure articulated joint	17	4.112-057.0	For hard-to-reach areas: High-pressure articulated joint with infinite angle adjustment up to 120°. Simply attach directly to the spray lance of the pressure washer.	<input type="checkbox"/>
<b>Gutter cleaner</b>				
Gutter cleaning lance	18	2.112-015.0	The lance is suited for cleaning of gutter systems. Because of the shape of the lance and the special nozzle the gutter can be cleaned without removing the cover plates.	<input type="checkbox"/>
<b>Undercarriage spray lance</b>				
Underbody lance	19	4.112-032.0	Stainless steel lance for effective and easy underbody and wheel arch cleaning. Without high-pressure nozzle.	<input type="checkbox"/>
<b>Additional handle</b>				
Additional handle for EASY!Lock spray lances	20	4.321-380.0	Comfortable in every situation - the additional handle is easy to attach to the spray lance of our new EASY!Lock generation and makes work easier by allowing you to adjust your posture to suit the particular task.	<input type="checkbox"/>
<b>PowerControl spray lance</b>				
PowerControl spray lance 042	21	4.112-046.0	Our PowerControl spray lance with nozzle size 042 makes possible the appropriate cleaning performance for each cleaning task. Infinitely variable and precise pressure adjustment directly within reach.	<input type="checkbox"/>
<b>KÄRCHER POWER NOZZLE</b>				
<b>Power nozzle spray angle 25°</b>				
Power nozzle 25°, 045	22	2.113-022.0	Fan jet nozzle with 25° spray angle, suitable for large areas and removing stubborn dirt and stains.	<input checked="" type="checkbox"/>
<b>HP nozzle spray angle 0°</b>				
Power nozzle 0°, 045	23	2.113-033.0	High-pressure nozzle with powerful jet for extremely stubborn dirt.	<input type="checkbox"/>
<b>Power nozzle spray angle 15°</b>				
Power nozzle 15°, 045	24	2.113-046.0	Fan jet nozzle with 15° spray angle suitable for stubborn dirt.	<input type="checkbox"/>
<b>Power nozzle spray angle 40°</b>				
Power Nozzle 40°, 045	25	2.113-053.0	Power nozzle with a 40° spray angle and fan jet, suitable for large areas and sensitive surfaces.	<input type="checkbox"/>
<b>FOAM SYSTEMS</b>				
<b>Cup foam lance</b>				
Cup foam lance Advanced 2, 700 l/h - 800 l/h	26	4.112-064.0		<input checked="" type="checkbox"/>
Cup foam lance Basic 2, 700 l/h - 800 l/h	27	4.112-054.0	For high-pressure cleaners with a flow rate of 700-800 l/h: new, robust and very high-quality foam cup lance with outstanding foam quality while consuming half as much cleaning agent.	<input checked="" type="checkbox"/>
Cup foam lance DUO Advanced 2, 700 l/h - 800 l/h	28	4.112-068.0		<input type="checkbox"/>

■ Included in delivery. □ Available accessories.

## EQUIPMENT FOR HD 7/12-4 M CAGE

### 1.524-948.0



		Order no.	Description	
<b>FOAM SYSTEMS</b>				
<b>Inno Foam Set</b>				
Inno foam kit with detergent injector	29	2.112-000.0	High-pressure foam system with double lance (foam nozzle and high-pressure jet for rinsing). For use with mobile and stationary high-pressure and HDS pressure cleaners for cleaning or disinfection.	<input type="checkbox"/>
<b>Easy Foam Set</b>				
Easy Foam Set with RM injector	30	2.112-010.0	HP foam system for use with HD/HDS units for cleaning and disinfecting. Foam nozzle for connection to lance and HP chemical injector with precision 0-5% metering valve. The machine specific nozzle kit has to be ordered separately.	<input type="checkbox"/>
<b>Nozzle kits for Inno/Easy Foam Set</b>				
Nozzle kit 055 z. Inno/Easy Set 500 - 600 l/h	31	2.111-009.0	Optimal adaptation to different machine outputs for economic use.	<input type="checkbox"/>
<b>Foam nozzle mounting kit</b>				
Foam nozzle kit	32	2.112-013.0	Foaming agent kit. The foam nozzle is ideal for use in sanitary areas and the food industry and wherever long application times are necessary.	<input type="checkbox"/>
<b>QUICK CONNECT</b>				
Quick-fitting pipe union coupler trapezo	33	2.115-000.0	For fast changes between different spray lances/accessories. Perfect for Kärcher spray unit, suitable for trigger gun/spray lance interface. With M 22 × 1.5 internal thread.	<input checked="" type="checkbox"/>
Quick-fitting pipe union plug nipple tra	34	2.115-001.0	Hardened stainless steel male coupling for quick coupling 2.115-000. With M 22 × 1.5 external thread.	<input checked="" type="checkbox"/>
<b>DRUM AND TANK CLEANING</b>				
Add-on kit mud sucker	35	2.641-798.0		<input type="checkbox"/>
<b>OTHER HP ACCESSORIES</b>				
Starting current limiter	36	2.637-495.0	Reduces starting current in single-phase supply and protects line fuse.	<input type="checkbox"/>
Jet gun	37	2.869-067.0	Short set-up time, easy transport, instant switch off - the jet gun is the affordable cleaning method for all kinds of small to medium-sized areas. Adjustable pressure/water volume.	<input type="checkbox"/>
<b>ROTARY NOZZLES (DIRT BLASTERS)</b>				
<b>Dirt Blaster, small</b>				
Dirt blaster, small, 045	38	4.114-021.0	Up to 50% higher cleaning and area performance than its predecessor: with the new performance dirt blaster (nozzle size 045), power losses have been minimised and the spray quality maximised.	<input type="checkbox"/>
<b>Dirt blaster, large</b>				
Dirt blaster, large, 045	39	4.114-042.0	The dirt blaster with rotating pencil jet offers 10 times better cleaning performance. Ceramic nozzle and bearing ring for a long service life. Further data: Max. 300 bar, 30 MPa, 85°C.	<input type="checkbox"/>
<b>MULTIPLE-JET NOZZLES</b>				
<b>Triple nozzles</b>				
Triple nozzle, 045	40	4.117-036.0	Triple nozzle with manual nozzle changeover. Convenient spray adjustment. For machines with an injector, the low-pressure flat stream is useful for cleaning agent suction and application.	<input type="checkbox"/>
<b>Angle vario nozzle 0°-90°</b>				
Angled Vario nozzle, 050	41	4.113-007.0	Variable angle nozzle for spray angle adjustment from 0° to 90°. For easy adjustment to all kinds of soiling and surfaces.	<input type="checkbox"/>
<b>NOZZLE UNION / SPACER</b>				
<b>Nozzle union</b>				
Nozzle screws	42	4.112-011.0	Nozzle screws with protectors for high-pressure and power nozzles	<input type="checkbox"/>

■ Included in delivery. □ Available accessories.



## EQUIPMENT FOR HD 7/12-4 M CAGE

### 1.524-948.0



	Order no.	Description	
<b>HIGH-PRESSURE HOSES</b>			
<b>Standard with unions on both sides</b>			
High-pressure hose, 10 m, DN 10, 220 bar, 2 x EASY!Lock	43	6.110-041.0	<input type="checkbox"/>
High-pressure hose, 10 m, DN 6, 250 bar, 2 x EASY!Lock	44	6.110-034.0	<input type="checkbox"/>
	45	6.110-035.0	<input type="checkbox"/>
High-pressure hose, 10 m, DN 6, 300 bar, 2 x EASY!Lock	46	6.110-056.0	<input type="checkbox"/>
High-pressure hose, 10 m, DN 8, 315 bar, 2 x EASY!Lock	47	6.110-031.0	<input type="checkbox"/>
High-pressure hose, 15 m, DN 8, 315 bar, 2 x EASY!Lock	48	6.110-030.0	<input type="checkbox"/>
High-pressure hose, 20 m, DN 8, 315 bar, 2 x EASY!Lock	49	6.110-032.0	<input type="checkbox"/>
High-pressure hose, 30 m, DN 8, 315 bar, 2 x EASY!Lock	50	6.110-014.0	<input type="checkbox"/>
High-pressure hose, 15 m, DN 10, 220 bar, 2 x EASY!Lock	51	6.110-042.0	<input type="checkbox"/>
High-pressure hose, 20 m, DN 10, 220 bar, 2 x EASY!Lock	52	6.110-043.0	<input type="checkbox"/>
High-pressure hose, 25 m, DN 10, 220 bar, 2 x EASY!Lock	53	6.110-044.0	<input type="checkbox"/>
High-pressure hose, 40 m, DN 10, 220 bar, 2 x EASY!Lock	54	6.110-045.0	<input type="checkbox"/>
High-pressure hose, 15 m, DN 12, 210 bar, 2 x EASY!Lock	55	6.110-059.0	<input type="checkbox"/>
High-pressure hose, 40 m, DN 12, 210 bar, 2 x EASY!Lock	56	6.110-060.0	<input type="checkbox"/>

Available accessories.

## EQUIPMENT FOR HD 7/12-4 M CAGE

### 1.524-948.0



	Order no.	Description	
<b>HIGH-PRESSURE HOSES</b>			
<b>Longlife 400 with unions on both sides</b>			
High-pressure hose Longlife, 1,5 m, DN 8, 400 bar, 2 × EASY!Lock	57 6.110-024.0	1,5 m high-pressure hose (DN 8, M 22 × 1,5) with kink protection and connectors at both ends. For connecting to hose reels with appropriate connector (M 22 × 1,5).	<input type="checkbox"/>
High-pressure hose Longlife, 1,5 m, DN 8, 400 bar, 1 × EASY!Lock / 1 × M22 × 1,5	58 6.110-069.0	High-pressure hose (ID 8) with double steel reinforcement, 1,5 m long, suitable for up to 400 bar pressure. Connectors: M 22 × 1,5, quick and convenient EASY!Lock hand screw connection.	<input type="checkbox"/>
High-pressure hose Longlife, 10 m, DN 8, 400 bar, 2 × EASY!Lock	59 6.110-038.0	Durable, 10 m long high-pressure hose (ID 8) with double steel reinforcement and EASY!Lock hand screw connection at both ends and ANTI!Twist. Approved for 400 bar pressure.	<input type="checkbox"/>
High-pressure hose Longlife, 30 m, DN 8, 400 bar, 2 × EASY!Lock	60 6.110-023.0	With rotary coupling, 2 × M 22 × 1,5	<input type="checkbox"/>
High-pressure hose Longlife, 20 m, DN 8, 400 bar, 2 × EASY!Lock	61 6.110-027.0	with rotary coupling, 2 × M 22 × 1,5	<input type="checkbox"/>
High-pressure hose Longlife, 15 m, DN 8, 400 bar, 2 × EASY!Lock	62 6.110-029.0	With rotary coupling, 2 × M 22 × 1,5	<input type="checkbox"/>
<b>Food industry version with unions on both sides</b>			
High-pressure hose food grade, 10 m, DN 8, 250 bar, 2 × EASY!Lock	63 6.110-051.0	10 m high-pressure hose (DN 8) with patented (rotating) AVS trigger gun connector. Non-discolouring outer layer for use in the food industry. M 22 × 1,5 with anti-kink sleeve.	<input type="checkbox"/>
High-pressure hose food grade, 20 m, DN 8, 250 bar, 2 × EASY!Lock	64 6.110-052.0	20 m high-pressure hose (DN 8) with swivel coupling. Non-discolouring outer layer for use in the food industry. Connectors at both ends, M 22 × 1,5, with kink protection. NW 8/155°C/250 bar.	<input type="checkbox"/>
<b>Longlife food industry version with unions on both sides</b>			
High-pressure hose food grade Longlife, 10 m, DN 8, 400 bar, 2 × EASY!Lock	65 6.110-053.0	With blue, non-marking and animal fat resistant outer covering: durable high-pressure hose (ID 8), 10 m long, ANTI!Twist and EASY!Lock hand screw connection at both ends.	<input type="checkbox"/>
High-pressure hose food grade Longlife, 20 m, DN 8, 400 bar, 2 × EASY!Lock	66 6.110-054.0	Longlife HP hose for use in the food industry. Außendecke## animal-grease-resistant, non-colour-bleeding material. With patented AVS connection in the pistol (pivot mounted)	<input type="checkbox"/>
<b>PIPE CLEANING</b>			
<b>Pipe cleaning hose, ID 6</b>			
Hose assembly TR pipe cleaning DN6 14MPa	67 6.110-108.0		<input type="checkbox"/>
	68 6.110-109.0		<input type="checkbox"/>
	69 6.110-110.0		<input type="checkbox"/>
Hose assembly TR pipe cleaning DN6 max.2	70 6.110-046.0	The 10 m pipe cleaning hose is a highly flexible high pressure hose for pipe interior cleaning (threaded connection for nozzle R 1/8).	<input type="checkbox"/>

Available accessories.

## EQUIPMENT FOR HD 7/12-4 M CAGE

### 1.524-948.0



		Order no.	Description	
<b>PIPE CLEANING</b>				
<b>Pipe cleaning hose, ID 6</b>				
Pipe cleaning hose, DN 6, 20 m, 220 bar	71	6.110-008.0	20 m flexible high-pressure hose (DN 6) for cleaning pipes up to 220 bar (threaded connection for R 1/8 nozzle).	<input type="checkbox"/>
Hose assembly TR pipe cleaning DN6 max.2	72	6.110-047.0	The 30 m pipe cleaning hose is a highly flexible high pressure hose for pipe interior cleaning (threaded connection for nozzle R 1/8).	<input type="checkbox"/>
Hose assembly TR pipe cleaning DN6 14MPa	73	6.110-048.0	10 m flexible high-pressure hose (DN 6) for cleaning pipes (threaded connection for R 1/8 nozzle).	<input type="checkbox"/>
Pipe cleaning hose	74	6.110-049.0	20 m flexible high-pressure hose (DN 6) for cleaning pipes (threaded connection for R 1/8 nozzle).	<input type="checkbox"/>
Pipe cleaning hose, DN 6, 30 m	75	6.110-050.0	30 m flexible high-pressure hose (DN 6) for cleaning pipes (threaded connection for R 1/8 nozzle).	<input type="checkbox"/>
<b>Pipe cleaning nozzle</b>				
Dirt blaster pipe cleaning D21/040	76	4.765-001.0	The forward-tilted rotating pencil jet removes the most stubborn dirt. The three backwards-tilted jets ensure the necessary forward movement, as well as convenient handling.	<input type="checkbox"/>
Dirt blaster pipe cleaning D30/040	77	4.765-004.0		<input type="checkbox"/>
Pipe cleaning nozzle	78	5.763-015.0	16 mm pipe cleaning nozzle with internal thread. Various jet directions for environmentally-friendly cleaning of blocked drains and pipes.	<input type="checkbox"/>
	79	5.763-016.0		<input type="checkbox"/>
	80	5.763-017.0	30 mm pipe cleaning nozzle with internal thread. Various jet directions for environmentally-friendly cleaning of blocked drains and pipes.	<input type="checkbox"/>
Rotating pipe cleaning nozzle	81	6.415-428.0	Rotating pipe cleaning nozzle with internal thread and four rotating jets for environmentally-friendly cleaning of blocked drains and pipes.	<input type="checkbox"/>
<b>FLOOR AND HARD SURFACE CLEANER</b>				
<b>Hard Surface Cleaner FRV 30</b>				
FRV 30	82	2.111-010.0	Surface cleaner with integrated waste water pick-up	<input type="checkbox"/>
Add-on kit rubber lip	83	2.642-910.0	For smooth floors indoors. The squeegee increases the suction performance of the FRV 30 and minimises the amount of water remaining. This means the floor is dry in just a few minutes.	<input type="checkbox"/>
Extension hose 5 m	84	4.440-939.0	5m extension hose for FRV 30. Connection sleeve included.	<input type="checkbox"/>

Available accessories.



## EQUIPMENT FOR HD 7/12-4 M CAGE

### 1.524-948.0



		Order no.	Description	
<b>FLOOR AND HARD SURFACE CLEANER</b>				
<b>Hard Surface Cleaner FRV 30</b>				
Add-on kit hose attachment	85	2.642-528.0	Suction cup for fixing the suction hose to smooth surfaces.	<input type="checkbox"/>
Add-on kit dirt trap	86	2.642-532.0	Galvanised steel bucket for collecting coarse dirt and for fixing the suction hose in outside areas.	<input type="checkbox"/>
<b>Hard surface cleaner FR 30</b>				
FR 30 Surface Cleaner	87	2.111-011.0	Up to 10 times greater area coverage compared with the conventional high pressure jet.	<input type="checkbox"/>
<b>Hard surface cleaner FR 30 ME</b>				
FR 30 ME surface cleaner	88	2.111-013.0	Hot water resistant stainless steel surface cleaner with double ceramic bearings, non-marking swivel castors and suction hose connection. Ideal for indoor cleaning, e.g. food industry.	<input type="checkbox"/>
<b>Machine-specific nozzle kit for FR</b>				
Nozzle kit for FR, 650 l/h - 850 l/h	89	2.639-187.0	Nozzle kit includes power nozzles and unions. For Kärcher surface cleaners (650 to 850 l/h).	<input type="checkbox"/>
<b>Machine-specific nozzle kits for FRV</b>				
Nozzle kit for FRV, 045	90	2.642-432.0	Machine-specific nozzle kit with Kärcher power nozzles and jet nozzle for FRV 30.	<input type="checkbox"/>
<b>Hard surface cleaner FRV 30 Me</b>				
FRV 30 Me Surface Cleaner	91	2.111-012.0	Thanks to automatic suction of the dirty water, the stainless steel FRV 30 Me Surface Cleaner makes surface cleaning more efficient in both inside and outside areas. Hot water cleaning up to 85°C.	<input type="checkbox"/>
Extension hose FRV 30 Me and FRV 50 Me	92	4.441-040.0	5 m extension hose for FRV 30 Me. Includes connecting adapter.	<input type="checkbox"/>
<b>MIXERS AND INJECTORS</b>				
<b>HP detergent injector</b>				
Detergent injector for high and low pressure (without nozzles)	93	4.637-032.0	Detergent injector for independent high and low pressure dosage. Maximum dosage about 15%.	<input type="checkbox"/>
Detergent injector for high pressure	94	4.637-033.0	Cleaning agent dosage at high pressure 3 - 5 %	<input type="checkbox"/>
<b>Machine-specific nozzle kit with order no. 3.637-170</b>				
Nozzle insert trapezoidal thread HD-GER.	95	4.769-005.0	For HD 500 - 700 l/h. Consists of nozzle insert + HP power nozzle + union	<input type="checkbox"/>
<b>Nozzle insert with order no. 3.637-001</b>				
Nozzle insert for Order No. 3.637-001, high-pressure for machines up to 1100 l/h.	96	4.769-003.0	Nozzle insert for detergent injector 3.637-001 for high-pressure detergent application. For high-pressure cleaners with a water flow rate up to 1100 l/h.	<input type="checkbox"/>
Low pressure for units rated 1100 l/h or more	97	4.769-006.0	For low pressure with machines above 1.100 l/h	<input type="checkbox"/>
<b>COUPLING PARTS</b>				
<b>Rotary coupling</b>				
Rotary coupling	98	4.111-021.0	Kärcher rotary coupling prevents twisting and kinking of high-pressure hoses for ease of use. Connector Easy!Lock. With grip protection.	<input type="checkbox"/>

Available accessories.

## EQUIPMENT FOR HD 7/12-4 M CAGE 1.524-948.0



		Order no.	Description	
<b>COUPLING PARTS</b>				
<b>Connector</b>				
Nozzle connector/screw connector	99	4.111-022.0	Nozzle connector/screw connector for connecting high-pressure nozzles and accessories to the high-pressure trigger gun (with nozzle connector). Connectors: 1x M 22 × 1.5 and 1x M 18 × 1.5.	<input type="checkbox"/>
Y distributor	100	4.111-024.0	Offers the option to connect two spray units to the machine. Installation on the high pressure outlet.	<input type="checkbox"/>
Short spray unit	101	4.111-038.0	For attaching high-pressure nozzles and accessory parts to HP trigger gun (with nozzle screws). Not compatible with triple nozzles.	<input type="checkbox"/>
<b>Adapter EASY!Lock</b>				
Adapter 1 M22AG-TR22AG	102	4.111-029.0	Adapter 1 to connect the old hose with the new hose	<input type="checkbox"/>
Adapter 2 M22IG-TR22AG	103	4.111-030.0	Adapter 2 to connect the old device with the new hose and the old gun with the new hose	<input type="checkbox"/>
Adapter 3 M22IG-TR22AG	104	4.111-031.0	Adapter 3 to connect the old gun with the new spray lance and new servo regulator	<input type="checkbox"/>
Adapter M22 - Swivel	105	4.111-032.0	M22 × 1,5female and swivel connection. For extension of high-pressure hoses with AVS connection or for usage of the telescopic lance with a high-pressure hose with AVS connection.	<input type="checkbox"/>
Adapter 5 TR22IG-M22AG	106	4.111-033.0	Adapter 5 to connect the new gun with the old spray lance and new servo regulator with the old spray lance	<input type="checkbox"/>
Adapter 6 TR22IG-M22AG	107	4.111-034.0	Adapter 6 to connect the new device with the old hose and the old hose with the new gun	<input type="checkbox"/>
Adapter 7 M18IG-TR20AG	108	4.111-035.0	Adapter 7 to connect the old spray lance with the new nozzle	<input type="checkbox"/>
Adapter 8 TR20IG-M18AG	109	4.111-036.0	Adapter 8 to connect the new spray lance with the old nozzle	<input type="checkbox"/>
Coupler -2xM22x1,5	110	4.111-037.0	Brass double connector for connecting and extending high-pressure hoses. With rubber protection. Connector: 2x M 22 × 1.5 m.	<input type="checkbox"/>
ADAPTER for replacement TR22IG-M22AG Er	111	4.111-046.0	Rotatable adapter for connecting EASY!Force high-pressure gun and high-pressure hoses with M 22x1.5 connection	<input type="checkbox"/>
<b>HOSE REELS</b>				
<b>Automatic, self-winding hose reels</b>				
Automatic plastic hose reel incl. high-pressure hose, 15 m	112	2.639-257.0		<input type="checkbox"/>

Available accessories.

## EQUIPMENT FOR HD 7/12-4 M CAGE

### 1.524-948.0



	Order no.	Description		
<b>HOSE REELS</b>				
<b>Automatic, self-winding hose reels</b>				
Automatic hose reel, powder-coated steel / plastic, 20 m	113	6.392-074.0	Automatic hose reel for 20 m high-pressure hose. The console is made from powder-coated steel, the drum is made from plastic.	<input type="checkbox"/>
Automatic stainless steel / synthetic material hose drum, 20 m	114	6.392-083.0	Automatic hose reel for 20 m high-pressure hose. The console consists of stainless steel, the drum is made from plastic.	<input type="checkbox"/>
Automatic hose reel, coated, 20 m	115	6.392-106.0	Automatic hose reel of durable plastic. Painted steel bracket. Suitable for 20 m high-pressure hose.	<input type="checkbox"/>
Hose reel, automatic, basalt grey-coated, 20 m	116	6.392-105.0	Automatic hose reels provide the highest level of safety and convenience for winding and unwinding HP hoses.	<input type="checkbox"/>
Automatic hose reel, stainless steel, includes swivel holder, 20 m	117	6.392-076.0	Automatic stainless steel hose reel. With swivel holder. Suitable for 20 m high-pressure hose.	<input type="checkbox"/>
Automatic stainless steel hose reel, 40 m	118	6.392-442.0	Automatic hose reels provide the highest level of safety and convenience for winding and unwinding HP hoses. Compatible high-pressure hose, e.g. order no. 6.110-076.0 (ID 8, 40 m, 400 bar, 1x hose reel connection attachment kit).	<input type="checkbox"/>
Powder-coated swivel holder	119	2.639-931.0	Swivel holder for automatic hose reel wall mounting. For maximum action radius and flexibility of high-pressure hose. Rotatable 120°. Galvanised steel.	<input type="checkbox"/>
Stainless steel swivel holder	120	2.641-867.0	Swivelling wall bracket made of high-grade steel (for 2.641-866). This makes maximum flexibility and convenience possible when working with the HP hose.	<input type="checkbox"/>
<b>FACADE AND SOLAR PANEL CLEANING</b>				
<b>Brushes</b>				
Drive for roller brush 500	121	4.762-584.0	Hydraulic drive for rotating roller brushes. For cleaning façades or solar power installations with our professional high-pressure cleaners. Installation on spray lance or telescopic lance.	<input type="checkbox"/>
Splash guard for roller brush 500	122	4.762-621.0	Splash guard with velcro fastening for rotating roller brush. Clear view of the brush thanks to transparent film, with protection against splashes at the same time.	<input type="checkbox"/>
Roller brush 500 soft	123	4.762-623.0	Soft brush attachment for use with hydraulic drive (4.762-584.0). Ideal for glass and solar power installation cleaning. Easy quick-change system and secure mounting on drive.	<input type="checkbox"/>
Roller brush 500 medium	124	4.762-624.0	Medium-hard brush attachment for use with hydraulic drive (4.762-584.0). Suitable for sensitive façades, foils and fabrics. Easy and safe quick-change system.	<input type="checkbox"/>
Roller brush 500 hard	125	4.762-625.0	Hard brush attachment for use with hydraulic drive (4.762-584.0). For rough façades, stone and wooden patios. Safe and easy quick-change system.	<input type="checkbox"/>
Brush hard	126	6.960-133.0	Brush with hard bristles for cleaning industry facades and floor coverings and removing coarse dirt. Simple installation on telescopic lances or high-pressure lances from Kärcher.	<input type="checkbox"/>

Available accessories.

## EQUIPMENT FOR HD 7/12-4 M CAGE

### 1.524-948.0



	Order no.	Description	
<b>FACADE AND SOLAR PANEL CLEANING</b>			
<b>Brushes</b>			
Brush medium	127	6.960-134.0	Optimally cleans facades, roller shutters and textile fabrics: the brush with medium-hard bristles for fast and simple attachment to telescopic lances or high-pressure lances from Kärcher. <input type="checkbox"/>
Brush soft	128	6.960-135.0	For simple installation on telescopic lances or high-pressure lances from Kärcher: brush with soft bristles for deep cleaning of sensitive surfaces such as glass or solar systems. <input type="checkbox"/>
iSolar 400 Advanced	129	6.368-092.0	iSolar 400 brush for water flow rate of 700-1,000 l/h. The water-driven disc brush with a width of 400 mm cleans small to medium-sized photovoltaic systems. Also perfect for use on elevated systems. <input type="checkbox"/>
<b>Telescopic</b>			
TL low pressure adapter	130	4.580-097.0	TL low-pressure adapter comprising ball valve for tool-free installation on telescopic lances. Ideal for applications with rotating high-pressure brushes. <input type="checkbox"/>
Telescopic lance TL 7 F	131	4.762-609.0	Telescopic lance TL 7 F with up to 7 m reach made from robust and lightweight glass fibre. With practical quick-release fasteners for simple retraction and extension. <input type="checkbox"/>
Telescopic lance TL 7 H	132	4.762-610.0	Multifunctional hybrid telescopic lance TL 7 H made of rigid and lightweight carbon-glass fibre mix. Telescopic thanks to quick-release fastenings. Up to 7 m reach. <input type="checkbox"/>
Telescopic lance TL 10 H	133	4.762-611.0	Up to 10 m reach: hybrid telescopic lance TL 10 H. Comprising carbon-glass fibre mix and suitable for multifunctional use. Simple retraction and extension thanks to quick-release fasteners. <input type="checkbox"/>
Telescopic lance TL 10 C	134	4.762-612.0	Carbon fibre telescopic lance TL 10 C. With up to 10 m reach and practical quick-release fasteners. Multifunctional use for cleaning facades, windows or solar panels. <input type="checkbox"/>
Telescopic lance TL 14 C	135	4.762-613.0	Maximum rigidity with minimum weight: telescopic lance TL 14 C made from carbon fibre. Enormous reach of 14 m, multifunctional use and easy to use thanks to quick-release fasteners. <input type="checkbox"/>
TL high pressure adapter	136	4.775-154.0	TL high-pressure adapter, flexible high-pressure gun for high-pressure cleaning with telescopic lances. Ergonomic, easy to install, suitable for right- and left-handed individuals. <input type="checkbox"/>
<b>Wasserenthärtung</b>			
WS 50	137	6.368-463.0	The mobile WS 50 water softening unit prevents lime residue on clean surfaces. A special ion-exchange resin removes the dissolved limescale from the water. <input type="checkbox"/>
WS 100	138	6.368-464.0	The mobile WS 100 water softening unit prevents lime residue on clean surfaces. A special ion-exchange resin removes the dissolved limescale from the water. <input type="checkbox"/>
WS Regenerator	139	6.368-465.0	With the WS Regenerator regeneration system, the softening cartridges of the water softening units WS 50 and WS 100 can be backflushed and regenerated at the push of a button. <input type="checkbox"/>
<b>Hoses</b>			
Hose solar	140	6.392-978.0	High-quality, flexible HP hose (with rubber covering) for the iSolar TL 7. The outer layer has especially good sliding properties when extending and retracting the telescopic rod. <input type="checkbox"/>

Available accessories.

## EQUIPMENT FOR HD 7/12-4 M CAGE

### 1.524-948.0



140-142



143



144-145



146



147



148-150



151



152



153

	Order no.	Description		
<b>FACADE AND SOLAR PANEL CLEANING</b>				
<b>Hoses</b>				
Hose solar	141	6.392-977.0	High-quality, flexible HP hose (with rubber covering) for the iSolar TL 10. The outer layer has especially good sliding properties when extending and retracting the telescopic rod.	<input type="checkbox"/>
	142	6.392-976.0	High-quality, flexible HP hose (with rubber covering) for the iSolar TL 14. The outer layer has especially good sliding properties when extending and retracting the telescopic rod.	<input type="checkbox"/>
<b>Attachment kits and adapters</b>				
Case sheet steel	143	6.988-152.0	Certified personal security system for rooftop work. Contents: Travelling fall arrestor with shock absorber and 15 m kernmantle rope, harness, anchoring sling and sheet steel case.	<input type="checkbox"/>
<b>WET BLASTING ATTACHMENT</b>				
<b>Wet blasting attachment (without nozzle)</b>				
Wet blasting attachment with flow control (without nozzles)	144	4.115-000.0	Paint, rust and scale removal made easy: Kärcher wet blasting attachment with flow control for adding blasting abrasive to the high-pressure jet.	<input type="checkbox"/>
Wet blasting attachment without flow control (nozzles not included)	145	4.115-006.0	Paint, rust and scale removal made easy: Kärcher wet blasting attachment with flow control for adding blasting abrasive to the high-pressure jet. Without flow control.	<input type="checkbox"/>
<b>Nozzle pack for wet blasting attachment</b>				
Nozzle pack TR wet jet set 0045	146	2.112-022.0	Nozzle kit with wet blasting nozzle and nozzle insert (type specific). For optimal Kärcher wet blasting attachment performance. Only in combination with wet blasting attachment 4.115-000.0   4.115-006.0.	<input type="checkbox"/>
<b>Boron carbide nozzle</b>				
Boron carbide nozzle, for machines as of 1000 l/h	147	6.415-084.0	In addition to nozzle packs. Very wear-resistant nozzle with boron carbide chuck for continuous-duty operation.	<input type="checkbox"/>
<b>WATER CONNECTION</b>				
<b>Geka coupling</b>				
With hose nozzle, R 1/2"	148	6.388-461.0	with hose liner	<input type="checkbox"/>
With hose nozzle, R 3/4"	149	6.388-455.0		<input type="checkbox"/>
With hose nozzle, R 1"	150	6.388-465.0	with hose barb	<input type="checkbox"/>
With female thread, R 3/4"	151	6.388-473.0	with female thread	<input type="checkbox"/>
<b>Suction filter</b>				
Water filter	152	6.414-956.0	Suitable for ponds, storage tanks or similar, polyamide filter casing, stainless steel strainer, 800 µm mesh, R 3/4" and R 1" connection, without non-return valve	<input type="checkbox"/>
Suction filter with check valve	153	4.730-012.0	Brass suction filter suitable for ponds, storage tanks, etc. With check valve.	<input type="checkbox"/>
<b>Fine-mesh water filter</b>				
Add-on kit water filter universal	154	2.637-020.0		<input type="checkbox"/>

Available accessories.

## EQUIPMENT FOR HD 7/12-4 M CAGE 1.524-948.0



		Order no.	Description	
<b>WATER CONNECTION</b>				
<b>Fine-mesh water filter</b>				
Fine-mesh water filter, 100 µm, R 3/4"	155	2.637-691.0	Fine-mesh water filter, 100 µm, max. temperature 60°C. Protects the high-pressure cleaner from dirt particles contained in the water. Transparent filter cup. Water flow rate up to 1200 l/h. Connector 3/4".	<input type="checkbox"/>
Fine-mesh water filter with adapter	156	4.730-102.0	Fine-mesh water filter, 125 µm, max. temperature 50°C. Protects the high-pressure cleaner from dirt particles contained in the water. Water flow rate up to 1200 l/h. Connection 3/4", with adapter, 1".	<input type="checkbox"/>
<b>WASHING BRUSHES</b>				
<b>Push-on washing brush</b>				
Push-on wash brush, M 18 × 1.5	157	4.113-001.0	Push-on wash brush for universal use. Simply push on to lance. Connector: M 18 × 1.6.	<input type="checkbox"/>
<b>Rotating washing brush</b>				
Rotating wash brush for < 800 l/h machines, nylon bristles	158	4.113-004.0	The rotating wash brush gently removes fine dust and traffic film from all surfaces. Temperature resistant up to 60°C. (M 18 × 1.5, replaceable brush insert).	<input type="checkbox"/>
Rotating wash brush for < 800 l/h machines, natural bristles	159	4.113-003.0	Driven by water stream. Gently removes fine dust and traffic film from any surface. Temperature resistant up to 60°C, M 18 × 1.5 (replaceable brush insert).	<input type="checkbox"/>

Available accessories.