



## Puzzi 30/4

The Puzzi 30/4 spray extraction machine is the economical cleaning solution for large carpet surfaces and makes cleaning ergonomic, stress-free and quick.



### 1 Power outlet for PW 30/1

- The integrated power outlet enables flexible use of the PW 30/1 without an additional power source.
- When not in use, the power outlet is effectively protected by an automatically closing flap.



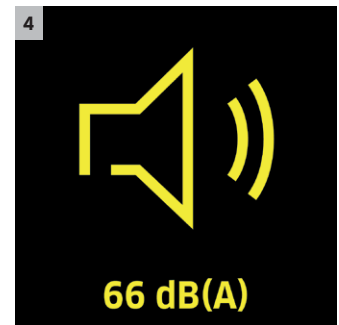
### 2 Removable waste water tank

- To protect against dirt, the waste water tank's handle is attached to the outside.
- The waste water tank is easy to remove and can also be used to fill the fresh water tank.



### 3 Removable waste water tank

- To protect against dirt, the waste water tank's handle is attached to the outside.
- The waste water tank is easy to remove and can also be used to fill the fresh water tank.



### 4 Extremely quiet

- At just 66 dB(A), the Puzzi 30/4 is the quietest wet vacuum cleaner of its kind.
- Thanks to the low noise volume, the machine can be used everywhere, even during business hours and in hotels.



## Puzzi 30/4

- Removable waste water tank
- Fresh water tank filling level display
- Horizontal transport possible with full fresh water tank

### Technical data

<b>Order no.</b>	1.101-120.0	
<b>EAN code</b>	4039784632417	
<b>Air flow</b>	<b>l/s</b>	74
<b>Vacuum</b>	<b>mbar / kPa</b>	254 / 25.4
<b>Spray rate</b>	<b>l/min</b>	3
<b>Spray pressure/back pressure</b>	<b>bar</b>	4
<b>Fresh/dirty water tank</b>	<b>l</b>	30 / 15
<b>Turbine capacity</b>	<b>W</b>	1200
<b>Pump power</b>	<b>W</b>	70
<b>Weight</b>	<b>kg</b>	26
<b>Dimensions (L × W × H)</b>	<b>mm</b>	580 × 460 × 930
<b>Voltage</b>	<b>V</b>	220 - 240
<b>Frequency</b>	<b>Hz</b>	50 - 60

### Equipment

<b>Spray hose with integrated water feed</b>	<b>m</b>	4
<b>Power outlet for professional power brush</b>		PW 30/1
<b>Spray extraction hose with handle</b>	<b>m</b>	4
<b>Additional handle</b>		■
<b>Handle with trigger</b>		■
<b>Wide floor nozzle, complete with flexible suction lip</b>		■

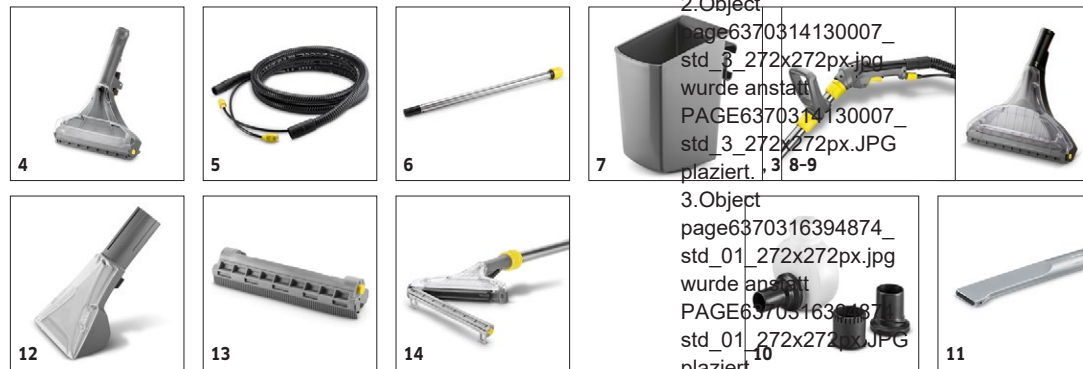
■ Included in the scope of supply.

# PUZZI 30/4 1.101-120.0



		Order no.	Length	Colour	Quantity	Price	Description	
<b>Home Base accessories</b>								
Home Base adapter	1	5.035-488.0			1 piece(s)		Fastener for various hooks and clips on the machine.	■

■ Included in the scope of supply. □ Available accessories.



Page 1

2.Object

page6370314130007\_std\_3\_272x272px.jpg wurde anstatt PAGE6370314130007\_std\_3\_272x272px.JPG platziert. 3 8-9

3.Object

page6370316394874\_std\_01\_272x272px.jpg wurde anstatt PAGE6370316394874\_std\_01\_272x272px.JPG platziert. 10

4.Object

page6370314025004\_std\_01\_272x272px.jpg wurde anstatt

		Order no.	Quantity	ID	Width	Length	Price	Description	
<b>Floor tools</b>									
Flexible floor nozzle, 350 mm, complete	1	4.130-011.0	1 piece(s)	32	350 mm			Kit consisting of floor nozzle (350 mm), suction pipe and D-handle. Transparent field of view for checking the vacuumed dirty water. Flexible squeegee.	■
Flexible floor nozzle, 350 mm, individual	2	4.130-009.0	1 piece(s)	32	350 mm			Floor nozzle (350 mm), individual. Transparent field of view for checking the vacuumed dirty water. Flexible squeegees. Included in kit 4.130-011.0.	■
Flexible floor nozzle, 240 mm, complete	3	4.130-007.0	1 piece(s)	32	240 mm			Kit consisting of floor nozzle (240 mm), suction pipe and D-handle. Transparent field of view for checking the vacuumed dirty water. Flexible squeegee.	□
Flexible floor nozzle, 240 mm, individual	4	4.130-008.0	1 piece(s)	32	240 mm			Floor nozzle (240 mm), individual. Transparent field of view for checking the vacuumed dirty water. Flexible suction bar. Included in kit 4.130-007.0.	□
<b>Spray/suction hoses</b>									
Spray/suction hose, 4 m	5	6.394-874.0	1 piece(s)	32		4 m		Standard spray/suction hose.	■
<b>Other</b>									
Extension tube	6	4.025-004.0	1 piece(s)	32	780 mm			Extension tube, individual.	■
Cleaning agent container, complete	7	4.070-006.0	1 piece(s)					Kit consisting of cleaning agent container and Home Base adapter. For connecting Home Base Rail.	■
Handle	8	4.130-000.0	1 piece(s)	32				Enables quick change of floor, upholstery and crevice nozzles. With sight glass for checking the vacuumed dirty water. Adapters for spray and suction hose.	■
D-handle	9	4.321-001.0	1 piece(s)					D-handle, individual, for extension tube 4.025-004.0. Adjustable without tools	■
Defoamer dosage	10	4.006-907.0	1 piece(s)	32				Container for defoamer solution.	□
Crevice nozzle	11	4.130-010.0	1 piece(s)	32				Crevice nozzle for spray extraction cleaners.	□
<b>Upholstery tools</b>									
Upholstery nozzle	12	4.130-001.0	1 piece(s)	32	110 mm			Upholstery nozzle, 110 mm.	□
<b>Hard surface adapters</b>									
Hard floor rubber adapter, small 240 mm	13	4.762-014.0	1 piece(s)		240 mm			Hard surface adapter for floor nozzle, 240 mm.	□
Hard floor rubber adapter, large 350 mm	14	4.762-017.0	1 piece(s)		350 mm			Hard surface adapter for floor nozzle, 350 mm.	□

■ Included in the scope of supply. □ Available accessories.