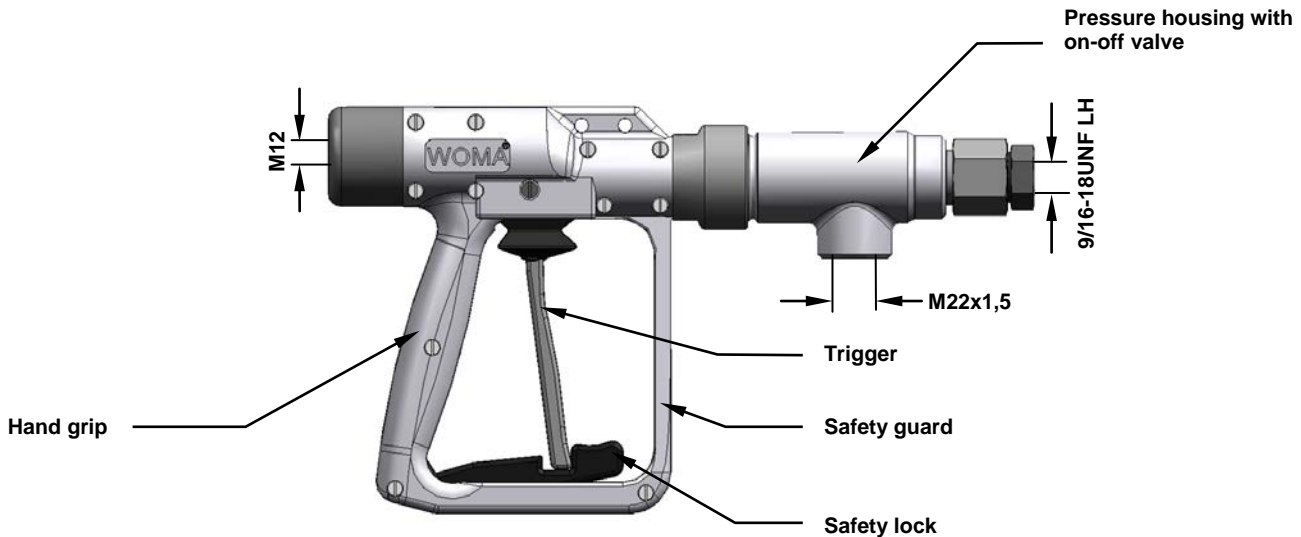


High Pressure Gun

HP 1500S-V



Description:

The HP 1500S-V is a positive shutoff type high pressure jetting gun which incorporates an internal on/off valve designed for a max. operating pressure of 1500 bar.

The HP 1500S-V features a light weight ergonomically designed polymerized hand grip.

Standard equipment includes; a trigger safety guard and latching trigger lock to prevent unintentional use, forged steel pressure housing and light weight polymerized hand grip.

Advantages:

High safety standard.

Turnable hand grip for easy operation.

Full encapsulated polymerized hand grip offers high tensile strength and excellent resistant to most chemicals.

All functional parts are protected from dirt and water invasion.

Technical data:

Material-No.:	9.871-168.0
Operating pressure:	max. 1500 bar
Medium temperature:	max.+100°C
Recoil force perm. without body support:	max. 150 N
Recoil force perm. with body support:	max. 250 N
Pressure loss:	5 bar at 30 l/min
Weight:	appr. 2,7 kg
Length:	appr. 344 mm
Height:	appr. 196 mm
Width:	appr. 48 mm

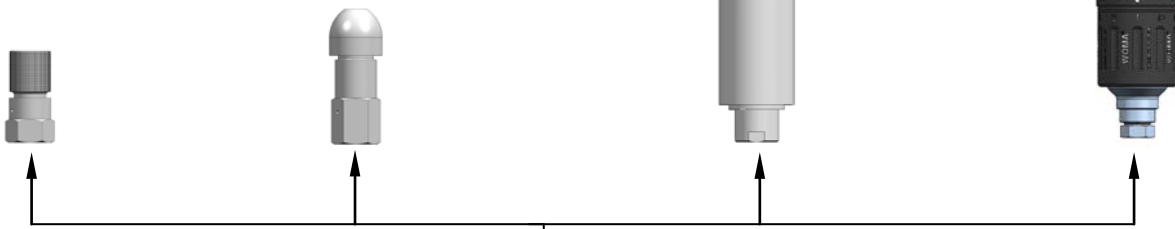
HP 1500S-V – Components

Nozzle connection	
Material No.	Nozzle form
9.873-090.0	1 and 8
9.872-008.0	4 and 19
9.878-291.0	21

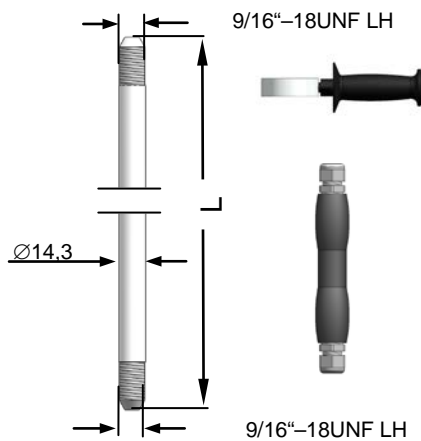
Nozzle connection for nozzle form 4
for coherent jet forming
Mat.-No. 9.872-183.0

Orbimaster

Turbo nozzle



Nozzle pipe		Weight
Material No.	L (mm)	kg
9.891-181.0	300	0,26
9.891-182.0	500	0,43
9.891-183.0	750	0,64
9.891-184.0	1000	0,85
9.891-207.0	1500	1,30
9.891-185.0	2000	1,69
9.891-186.0	3000	2,53
9.891-187.0	4000	3,37
9.891-188.0	5000	4,21
9.891-189.0	6000	5,05
9.891-383.0	7000	5,89



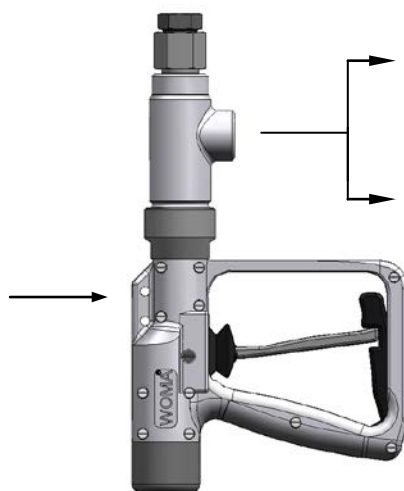
Hand grip
Mat.-No.: 9.871-675.0

Hand grip
Mat.-No.: 6.025-300.0

Turnable hose connection	
Material No.	B
9.872-624.0	M22x1,5 24° DK
9.872-436.0	M22x1,5 60° DK
9.872-437.0	M24x1,5 24° DK
9.872-438.0	G1/2 60° DK

Hose connection	
Material No.	A
9.871-967.0	M22x1,5 24° DK
9.871-968.0	M22x1,5 60° DK
9.871-969.0	M24x1,5 24° DK
9.871-970.0	G1/2 A 60° DK
9.871-971.0	G3/4 A 60° DK

Gun housing cpl. . HP 1500S-V
Mat.-No.: 9.871-168.0
Weight: appr. 2,7 kg



Body support
Mat.-No: 6.025-301.0
Weight: appr.. 0,73 kg

