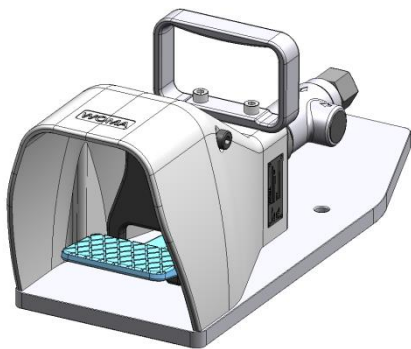


Foot valve with mechanical safety latch

FV 1500-S-V

This robust and reliable foot valve to close / open a high pressure line (basic position "closed") is operated by a foot lever with mechanical safety latch. The safety latch releases the movement of the actuating lever and, upon release of the lever, automatically returns to the safe position. With this foot valve, additional valve units as well as complex control units can be remote-controlled, thus enhancing work safety and work comfort.

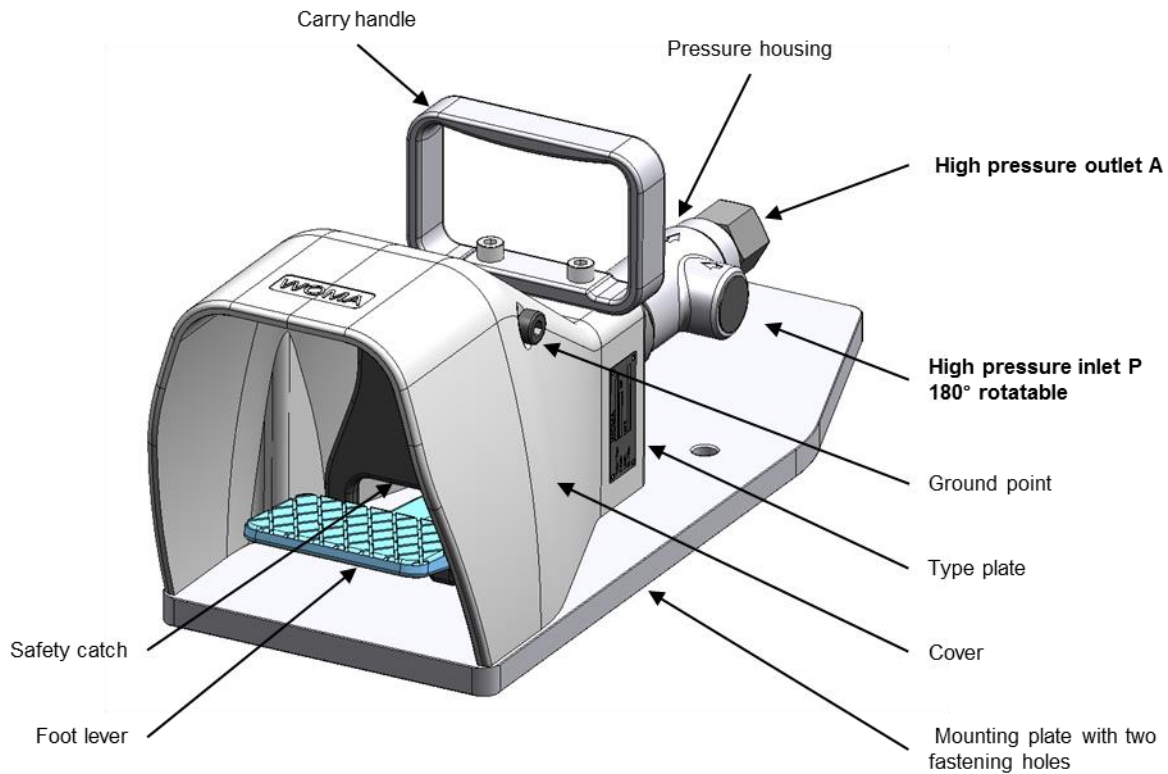
The foot valve is available with various hose connections for pressurized water inlet (P) and pressurized water outlet (A). All parts that come into contact with the medium consist of stainless and acid-resistant CrNi steels.



Special benefits

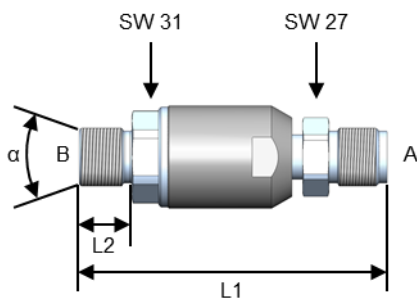
- Compact and robust due to a solid construction
- All functional components are protected against the penetration of dirt and splash water
- Suitable for sea water and demineralized water
- Large nominal flow
- Low pressure losses
- Turnable pressure housing and bypass connection
- High safety standard
- Large protective hood and mechanical safety catch against unintentional actuation of the foot lever
- Large ribbed tread for safe operation
- Low operating forces due to servo valve technology

Technical data	
Material-Number	9.871-207.0
Operating pressure	max. 1.500 bar
Nominal flow rate	ca. 85 l/min
Medium temperature	max. +95 °C
Weight	ca. 10,5 kg
Length	500 mm
Width	185 mm
Height	200 mm
High pressure connection (P)	iM22x1,5
High pressure connection (A)	iM26x1,5



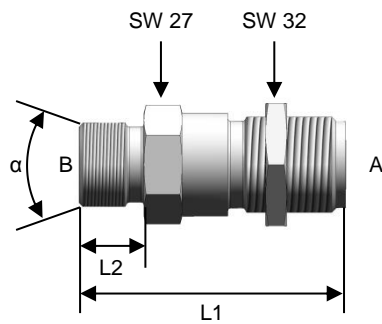
Accessories

Thread M as per DIN 13 / ISO 261
Thread G as per DIN ISO 228/1



turnable hose connector for A*			
Hose connector B (α)	Length L1 [mm]	Length L2 [mm]	Material-Number
M22x1,5 (60°)	117	20	9.872-621.0
M22x1,5 (24°)	117	20	9.872-620.0
M24x1,5 (24°)	117	20	9.872-622.0
G1/2 (60°)	117	20	9.894-987.0

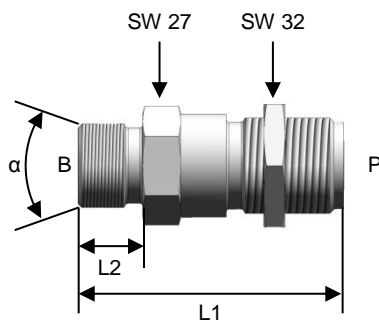
*max. 1500 bar



High pressure hose connector for A*

Hose connector B (α)	Length L1 [mm]	Length L2 [mm]	Material-Number
M22x1,5 (60°)	70	20	9.872-536.0
M22x1,5 (24°)	67	17	9.872-537.0
M24x1,5 (24°)	70	20	9.872-538.0
G1/2 (60°)	70	20	9.872-623.0
G3/4 (60°)	70	20	9.872-940.0

*max. 1500 bar; includes adapter, hex nut, pressure ring and protective plug



High pressure hose connector for P*

Hose connector B (α)	Length L1 [mm]	Length L2 [mm]	Material-Number
M22x1,5 (60°)	79	17	9.871-968.0
M22x1,5 (24°)	76	20	9.871-967.0
M24x1,5 (24°)	79	20	9.871-969.0
G1/2 (60°)	79	20	9.871-970.0
G3/4 (60°)	79	19	9.871-971.0

*max. 1500 bar; includes adapter, hex nut and protective plug