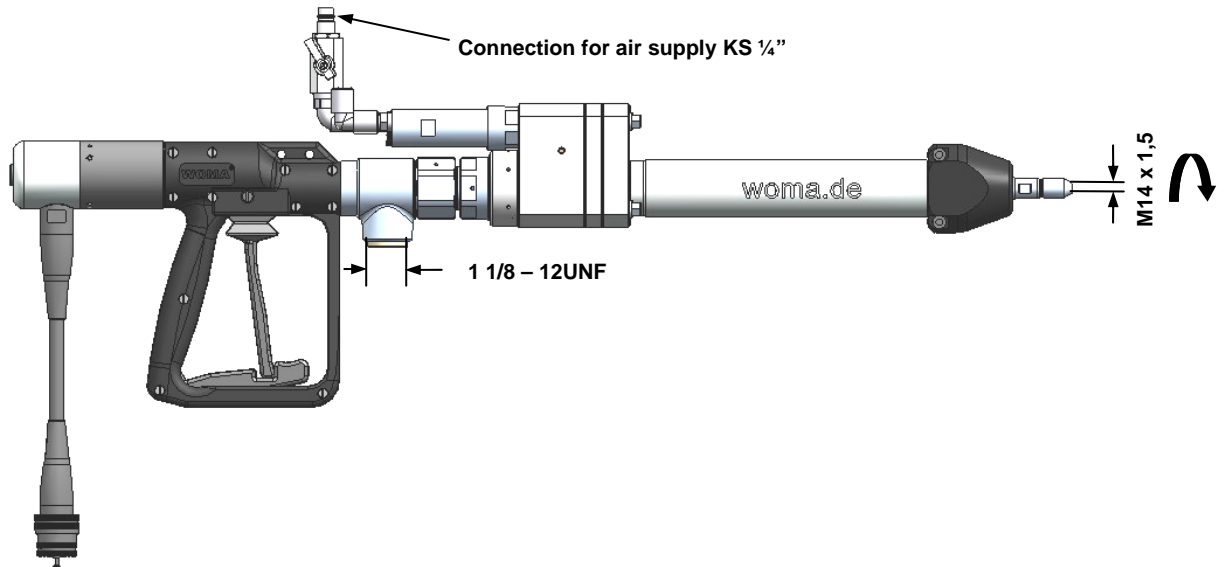


High-Pressure Gun

HP3000RL-E-24V



Description:

The HP3000RL-E-24V is a high-pressure jetting gun equipped with a pneumatically driven rotary lead-through and an electric remote control, suitable for a wide range of application.

The composition of HP-Gun and nozzle carrier head represents a highly efficient water tool, which guarantees – depending on the rotation of the nozzle carrier head – a high surface treatment/cleaning rate.

The equipment includes a safety lock, as well as a hand grip made of plastic and a pressure housing made of forged steel.

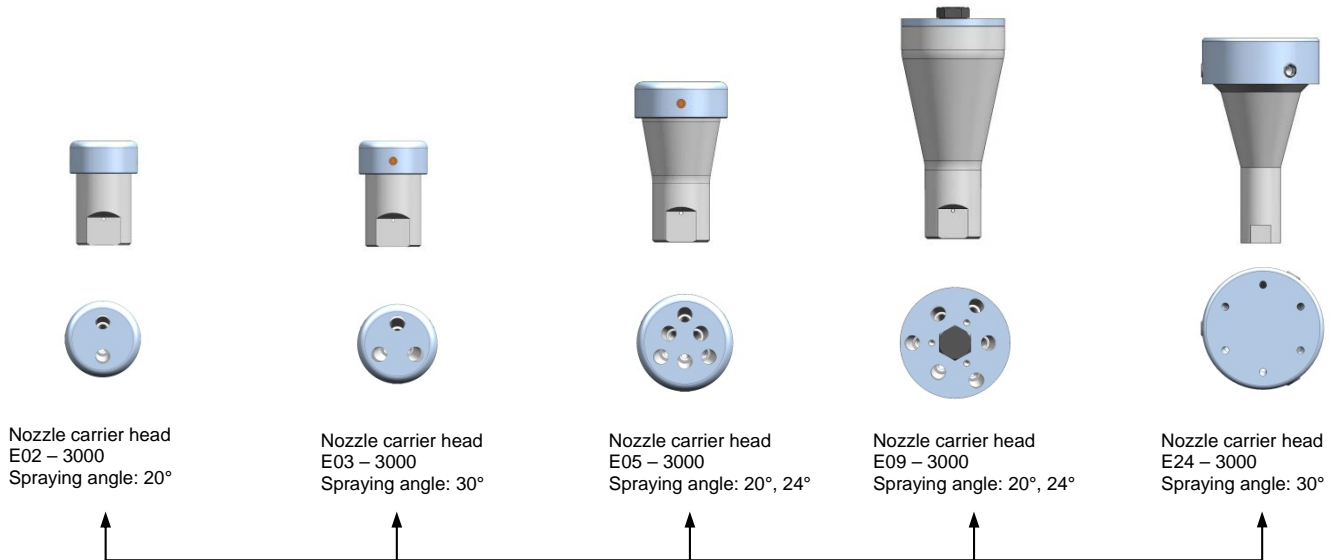
Special characteristics:

- Rotational speed adjustable by air pressure and quantity
- Low weight
- Compact design with small dimensions
- Optimum running qualities
- Parts under pressure made of high-tensile stainless steel
- Turnable hand grip for easy handling
- All moving parts are protected from dirt and water invasion

Technical Data:

Material-No.:	9.871-292.0
Operating pressure:	max. 3000 bar
Flow rate:	max. 25 l/min
Medium temperature:	max. +50 °C
Weight:	approx. 5,50 kg
Working pressure of the air motor:	6,5 bar
Working pressure at working rpm:	0,16 kW 2500 1/min
Air consumption:	0,4 m ³ /min at 6,5 bar
Sense of rotation:	Clockwise in jetting direction
Length:	approx. 800 mm
Width:	approx. 56 mm
Height:	approx. 200 mm
Permissible recoil force without body support:	max. 150 N
Permissible recoil force with body support:	max. 250 N

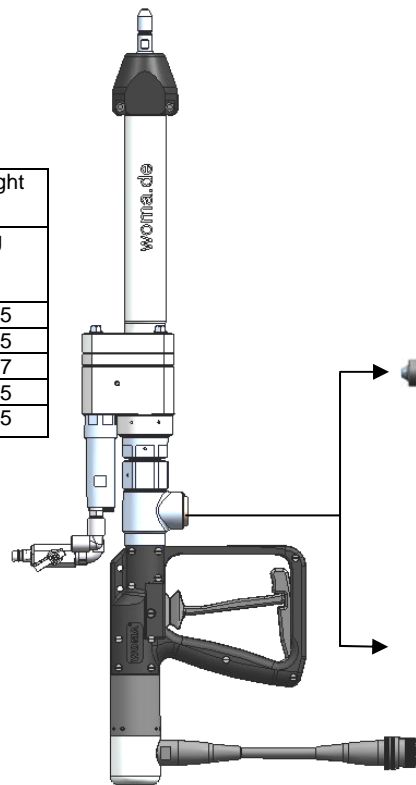
HP3000RL-E-24V - Components



Nozzle carrier head			Weight
Material No.	Number of nozzle form 21	Type-bar	kg
9.886-774.0	2	E02-3000	0,45
9.886-775.0	3	E03-3000	0,45
9.886-772.0	3 or 6	E05-3000	0,47
9.886-773.0	3 or 6	E09-3000	0,85
9.886-645.0	3 or 6	E24-3000	0,85

Operating information:

The air motor is only to be used with dry, clean and lubricated air.
Only fill up with pneumatic oil WOMA PN 9.890-539.0 – viscosity class ISO VG 46 –.
The max. permitted air pressure of 6,5 bar has not to be exceeded.



Turnable hose connection
3/8" UNF-LH
Material-No.: 9.872-639.0
Weight: 0,9 kg

Turnable hose connection
9/16" UNF-LH
Material -No.: 9.872-640.0
Weight: 0,9 kg

Hose connection
3/8" UNF-LH
Material -No.: 9.883-745.0
Weight: 0,2 kg

Hose connection
9/16" UNF-LH
Material -No.: 9.872-023.0
Weight: 0,2 kg

Body support
Mat.-No: 6.025-301.0
Weight: 0,73 kg

