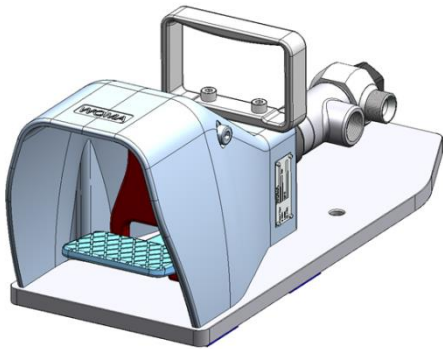


Foot valve with mechanical safety latch

FV 1500-VDF

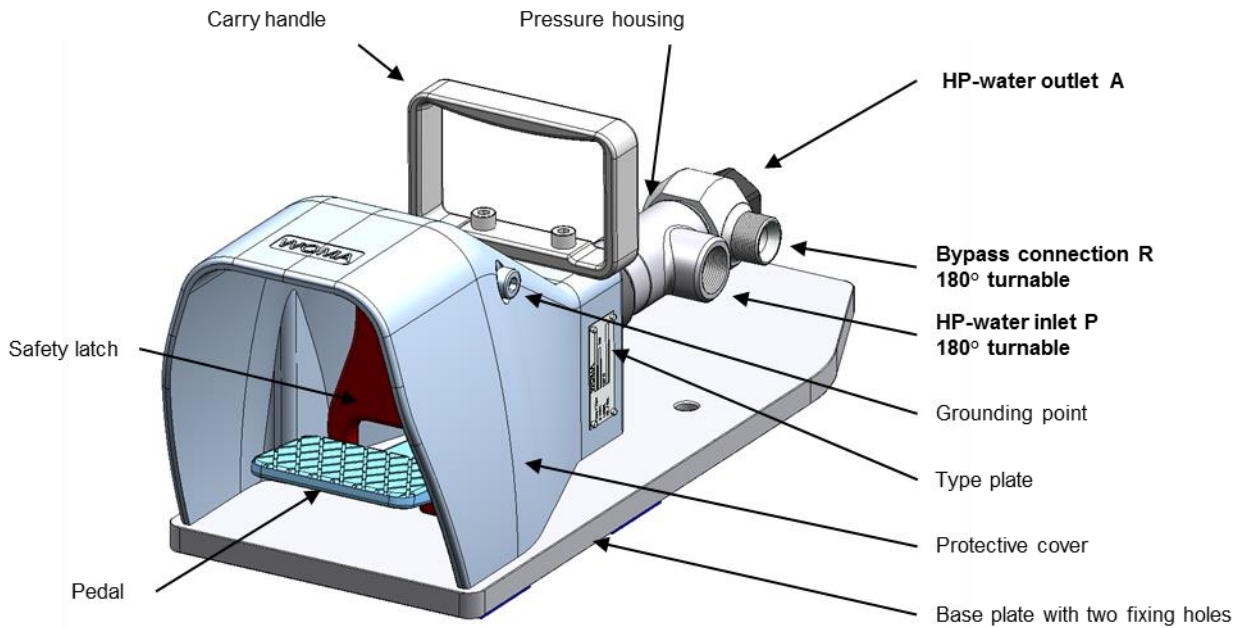
The rugged and reliable high-pressure bypass foot valve is a mechanical valve for switching high pressure in the water line on and off. It is actuated with a foot pedal with mechanical safety latch. The safety latch opens at actuation and returns back automatically to the normal position after release of the pedal. As long the pedal is not actuated, the flow medium will be led through the bypass line and the high-pressure unit becomes pressureless. The foot valve is available for various hose connectors on high-pressure water inlet (P) and high-pressure water outlet (A). All materials coming in contact with the pumped media are of corrosion- and acid-resistant CrNi-steel.

Special benefits



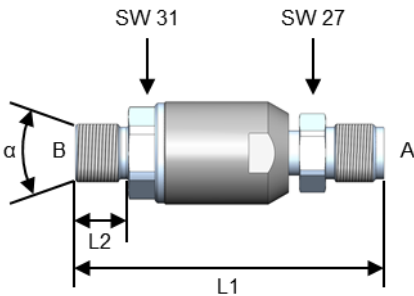
- Applicable for a variety of applications
- Compact and rugged due to solid construction
- All functional Materials are protected from dirt and water invasion
- Suitable for using seawater and demineralized water
- Large nominal flow rate
- Low pressure losses
- Turnable pressure housing and bypass connection
- High safety standard
- Large protection cover and mechanical safety latch protects against unintended actuation
- Large ribbed tread surface for safe actuation
- Low actuating force due to servo valve technology

Technical data	
Material-Number	9.871-344.0
Operating pressure	max. 1.500 bar
Nominal flow rate	approx. 45 l/min
Medium temperature	max. +95 °C
Weight	approx. 11 kg
Length	500 mm
Width	185 mm
Height	200 mm
High pressure connection (P)	iM22x1,5
High pressure connection (A)	iM26x1,5
Bypass connection (R)	aG3/4 60°DK



Accessories

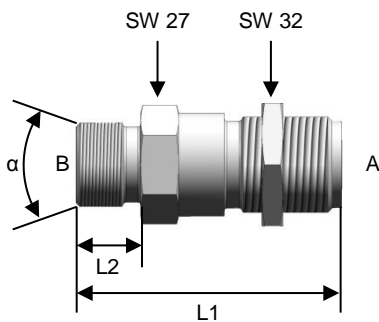
Thread M as per DIN 13 / ISO 261
Thread G as per DIN ISO 228/1



turnable hose connector for A*

Hose connector B (α)	Length L1 [mm]	Length L2 [mm]	Material-Number
M22x1,5 (60°)	117	20	9.872-621.0
M22x1,5 (24°)	117	20	9.872-620.0
M24x1,5 (24°)	117	20	9.872-622.0
G1/2 (60°)	117	20	9.894-987.0

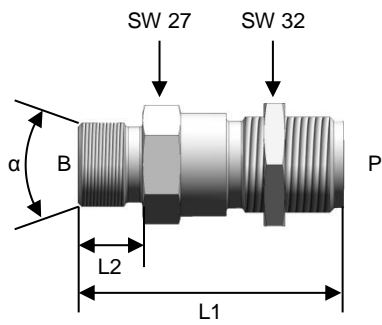
*max. 1500 bar



High pressure hose connector for A*

Hose connector B (α)	Length L1 [mm]	Length L2 [mm]	Material-Number
M22x1,5 (60°)	70	20	9.872-536.0
M22x1,5 (24°)	67	17	9.872-537.0
M24x1,5 (24°)	70	20	9.872-538.0
G1/2 (60°)	70	20	9.872-623.0
G3/4 (60°)	70	20	9.872-940.0

*max. 1500 bar; includes adapter, hex nut, pressure ring and protective plug



High pressure hose connector for P*

Hose connector B (α)	Length L1 [mm]	Length L2 [mm]	Material-Number
M22x1,5 (60°)	79	17	9.871-968.0
M22x1,5 (24°)	76	20	9.871-967.0
M24x1,5 (24°)	79	20	9.871-969.0
G1/2 (60°)	79	20	9.871-970.0
G3/4 (60°)	79	19	9.871-971.0

*max. 1500 bar; includes adapter, hex nut and protective plug



Bypass hose for connection R

Diameter	Length L [mm]	Material-Number
DN 20	1500	9.887-970.0