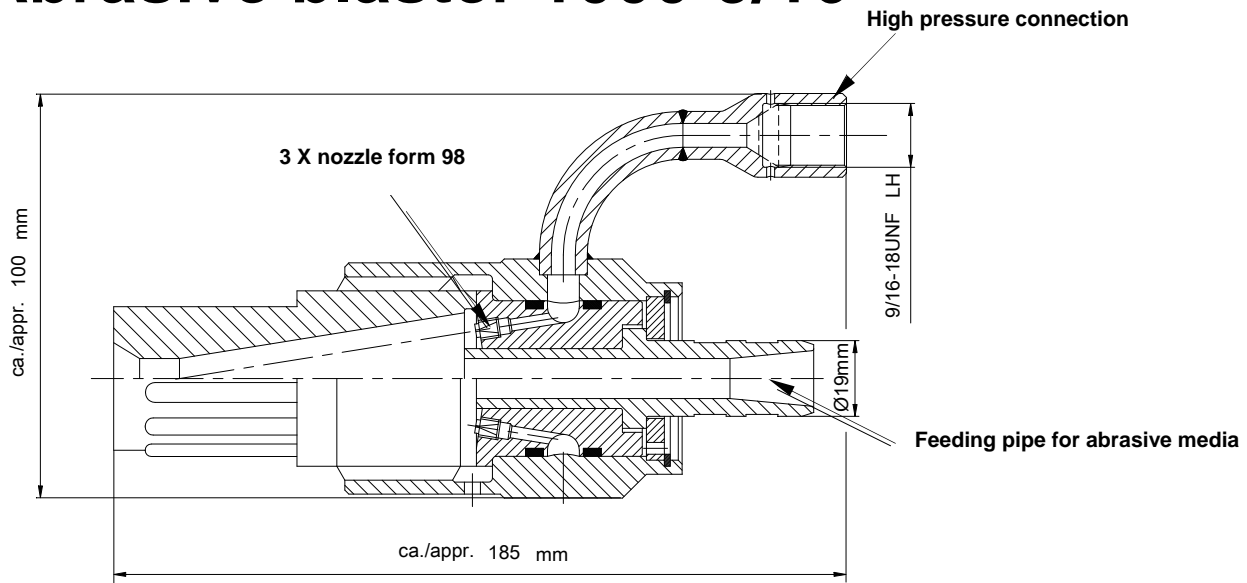


Abrasive blaster 1000-9/16



Description:

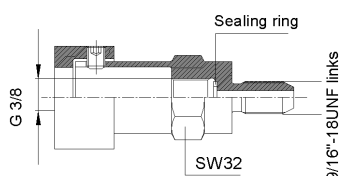
The Abrasive blaster functions as an injector. The high pressure water – coming out of the three orifices in the Form 98 nozzle at high speed – create a vacuum which sucks the abrasive media. The mix of high pressure water and abrasive media make the abrasive blaster an extremely efficient cleaning tool.

Accessories:

Nozzle set 3xnozzle 0,9- 500bar-33l/min MN 9.886-549.0
 Nozzle set 3xnozzle 0,7- 600bar-28l/min MN 9.886-551.0
 Nozzle set 3xnozzle 0,6- 800bar-21l/min MN 9.886-550.0
 Nozzle set 3xnozzle 0,7-1000bar-30l/min MN 9.886-551.0

Installation tools for nozzle Form 98
 Material-No.: 6.025-257.0

Connecting adapter to high pressure gun models
 HP 750 , Nozzle pipe Ø25mm
 Material-No.: 9.872-159.0
 i G 3/8 – a 9/16-18UNF LH



Technical data:

Operating pressure	max.1000 bar
Medium temperature	max.100°C
Abrasive blaster 1000-9/16 without nozzle Form 98	MN 9.872-259.0
Abrasive blaster for Ecotherm 500 with nozzle Form 98 3x Ø0,9 mm	MN 9.872-249.0 500 bar - 33 l/min
Abrasive blaster for Ecotherm 600 with nozzle Form 98 3x Ø0,7 mm	MN 9.872-435.0 600 bar - 28 l/min
Abrasive blaster for Ecotherm 800 with nozzle Form 98 3x Ø0,6 mm	MN 9.872-250.0 800 bar - 21 l/min
Abrasive blaster for Ecocold 1000 with nozzle Form 98 3x Ø0,7 mm	MN 9.872-435.0 1000 bar - 30 l/min
Abrasive media Grain size 0,5 – 1,0 mm Grain size 0,7 – 1,4 mm	25 kg MN 6.025-309.0 MN 6.025-310.0
Suction lance for abrasive media The Suction lance made of stainless steel guarantee an optimum suction out of the abrasive tank	MN 6.025-258.0 MN 6.025-308.0
Abrasive suction hose with wire braid, 15m long, grounding possible	

