

# High-pressure pump 1502

The type 1502 high-pressure plunger pump provides a max. operating pressure of 750 bar and a max. flow rate of 224 l/min.



The high-pressure plunger pumps of the 2-series with operating pressures up to 750 bar and flow rates up to approx. 224 l/min, are ideal for the cleaning of pipes and tube bundles, vessels and containers. Variant V of the 2-series has been specially developed for applications with elevated inlet pressure.

The sealing system of this plunger pump is particularly service-friendly due to fewer wearing parts and easy maintenance. The ceramic plungers used are highly resistant to acidic and basic fluids. Alternatively, the pump is available with coated steel plungers for increased wear resistance and resistance to thermal shocks. The sealing water system used prevents leakage, enables a higher durability for the high-pressure seals and counteracts the ingress of air. As a result, the 2-series offers a high price-performance ratio even in rough working conditions.

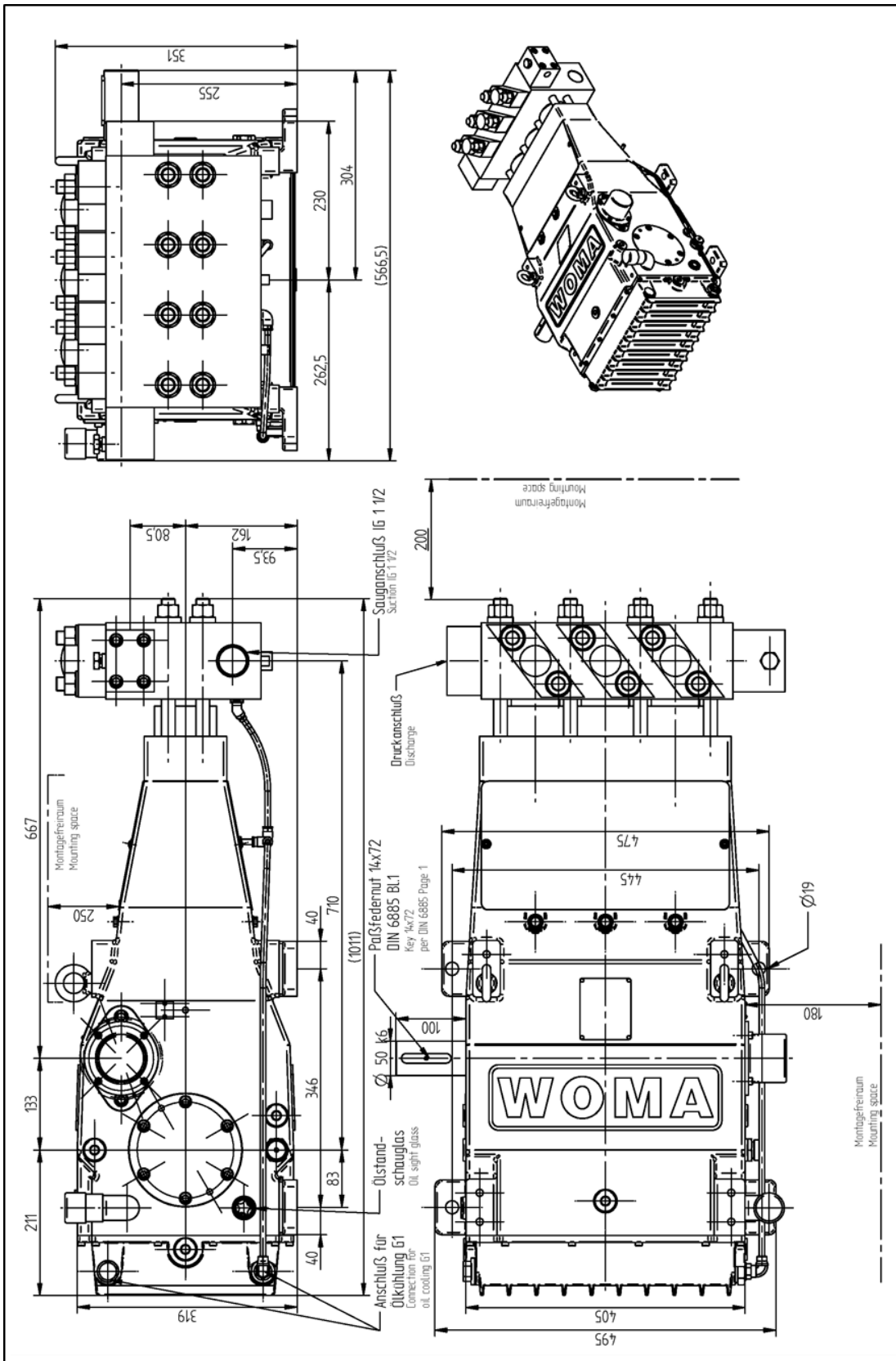
<b>Technical data</b>		
Weight	approx.	327 kg (with splash lubrication system) 337 kg (with pressure oil lubrication)
Inlet pressure connection		G 1 1/2"A
Pressure connection with flange		2 x aM24x1,5 und 1 x aM36x2 2 x G1/2"A und 1 x G3/4"A 1 x iM30x1,5
Cooling water connection		G 1"A
Crankshaft	max. min.	507 1/min Depends on operation parameters
Drive shaft		Diameter 50mm k6, feather key DIN 6885 Sheet 1, A14 x 9 x 72
Torque at drive shaft	max.	669 Nm
Moment of inertia J	i = 2.96 i = 3.69 i = 4.57	0.042 kgm <sup>2</sup> 0.030 kgm <sup>2</sup> 0.022 kgm <sup>2</sup>
Centrifugal moment GD <sup>2</sup>	i = 2.96 i = 3.69 i = 4.57	1.66 Nm <sup>2</sup> 1.17 Nm <sup>2</sup> 0.86 Nm <sup>2</sup>
Inlet Delivery medium inlet pressure		
Pump head type 2	min. max.	1.5 bar (2.0 bar at < 170 l/min) 5.0 bar
Pump head type 2-V	min. max.	3.0 bar 8.0 bar
Permissible pressure amplitude	max.	± 2.0 bar
Flow temperature	min. max.	+5 °C +45 °C (higher temperatures on request)
Flow inlet requirement	min.	1.5x nominal feed rate of the pump, dependent on the conversion set
Emission sound pressure level according to DIN EN ISO 11203		>80 dB(A)
Oil capacity of transmission end	approx.	9 l
Oil viscosity ISO VG under DIN 51517-2 or -3		320 mm <sup>2</sup> /s
Oil pressure lubrication		2.5 - 5.0 bar (optional / performance related)
Oil pressure set value overflow valve		5.0 bar (optional / performance related)
Oil filter fineness		0.025 mm (optional / performance related)
Oil temperature	max. Set value	80 °C 60 - 70 °C
Heat exchanger, cooling water requirement	approx.	5 - 10 l/min
Heat exchanger, cooling water temperature	min. max.	+5 °C +45 °C
Heat exchanger, cooling water pressure	min. max.	1.5 bar 10 bar

Performance variants**												
Pinion shaft		Crank shaft	P26		P30		P35		P40		P45	
1,500 [1/min]	1,800 [1/min]		750 bar*		565 bar		415 bar		320 bar		250 bar	
Gear ratio		[1/min]	[kW]	[l/min]	[kW]	[l/min]	[kW]	[l/min]	[kW]	[l/min]	[kW]	[l/min]
2.96		507*	99	70	101	96	103	133	105*	175	104	224*
	3.69	488	95	68	97	92	99	128	101	169	100	215
3.69		407	79	56	81	77	83	106	84	140	84	179
	4.57	394	77	55	79	74	80	103	81	136	81	174
4.57		328	64	45	66	62	67	86	68	113	68	145

\* Maximum values of the pump

\*\* Technical changes reserved

## Overview pump 1502 (with splash lubrication system)



## Overview pump 1502 (with pressure oil lubrication)

