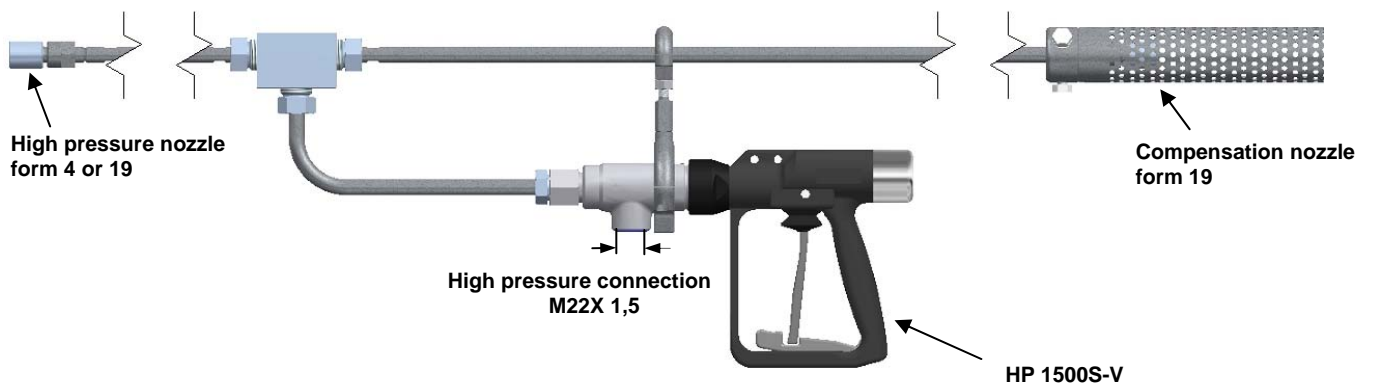


Underwater Gun

UWP 1500



Description:

The UWP 1500 is an underwater gun with recoil compensation for an allowable operating pressure of 1500 bar.

The flat jet nozzle form 19 (compensation nozzle) compensates the recoil forces.

Standard equipment includes: A trigger safety guard and latching trigger lock to prevent unintentional use, forged steel pressure housing and light weight polymerized hand grip.

Advantages:

High safety standard.

All functional parts are protected from water invasion.

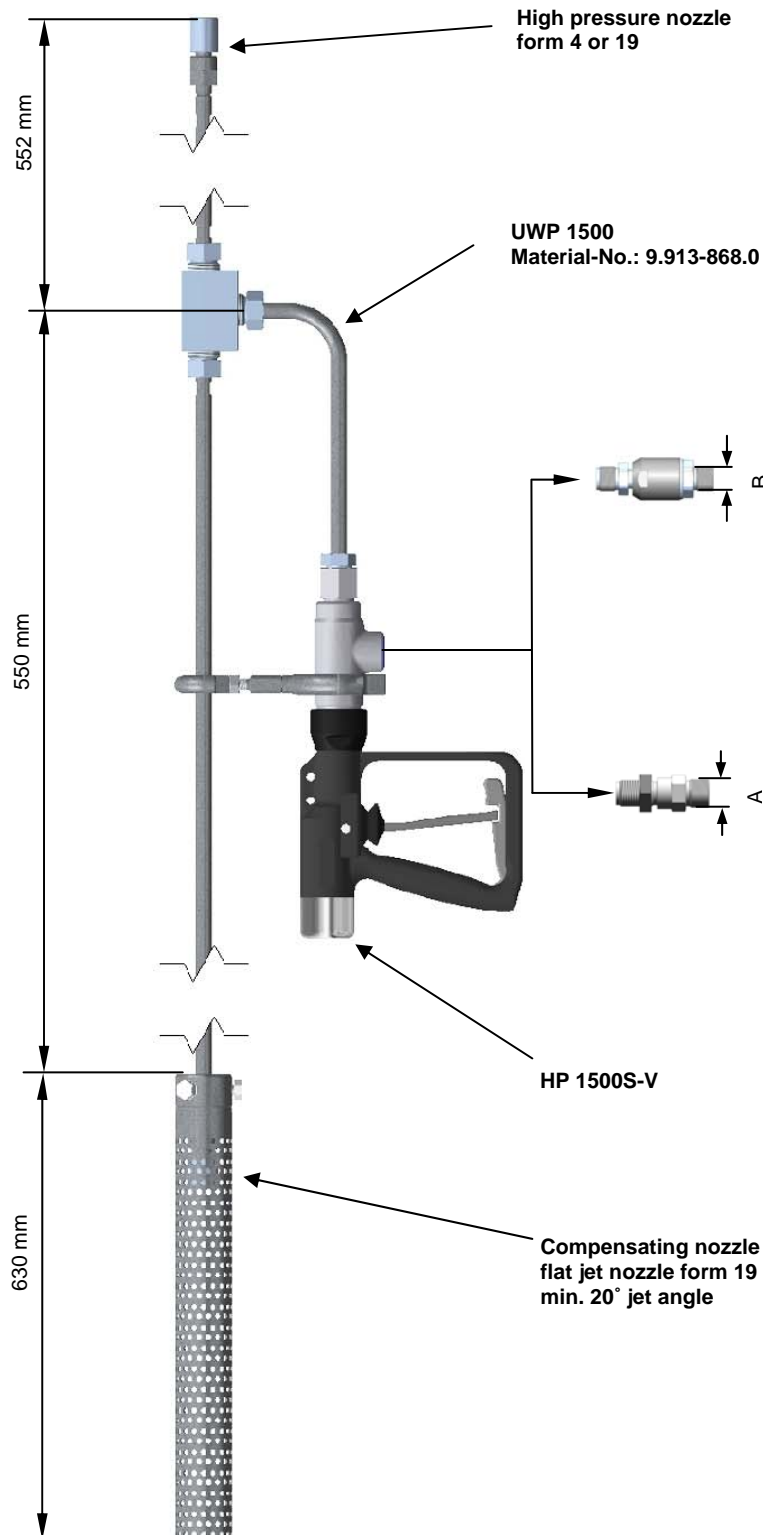
With the conversion kit (Material – No.: 9.914-021.0) guns type HP 1500S-V can be converted to UWP 1500.

Technical data:

Material-No.:	9.913-868.0
Operating pressure:	max. 1500 bar
Medium temperature:	max. +100°C
Weight:	approx. 8,5kg
Length:	approx. 2632 mm
Height:	approx. 306 mm
Width:	approx. 72 mm

As compensating nozzle a flat jet nozzle form 19 min. 20° jet angle must be used.

UWP 1500 - Components



Turnable hose connection	
Material No.	B
9.872-624.0	M22x1,5 24° DK
9.872-436.0	M22x1,5 60° DK
9.872-437.0	M24x1,5 24° DK
9.872-438.0	G1/2 60° DK

Hose connection	
Material No.	A
9.871-967.0	M22x1,5 24° DK
9.871-968.0	M22x1,5 60° DK
9.871-969.0	M24x1,5 24° DK
9.871-970.0	G1/2 A 60° DK
9.871-971.0	G3/4 A 60° DK