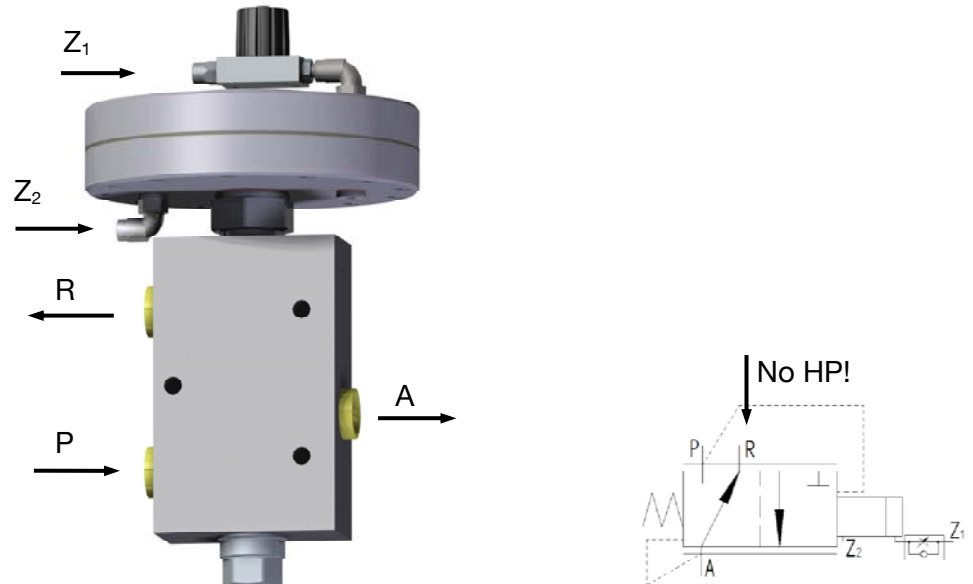


Multi-Consumer Valve MVV 1500S



Description:

The MVV 1500S is a 3/2 way high pressure valve for the multi-gun operation up to 1500 bar.

By Multi-Consumer Valve MVV 1500S two or more hand-held spraying equipment or high pressure guns can work on a pressure generator without interference.

There is no sudden increase in recoil forces and only low recoil force change when switching other spraying devices.

Advantages:

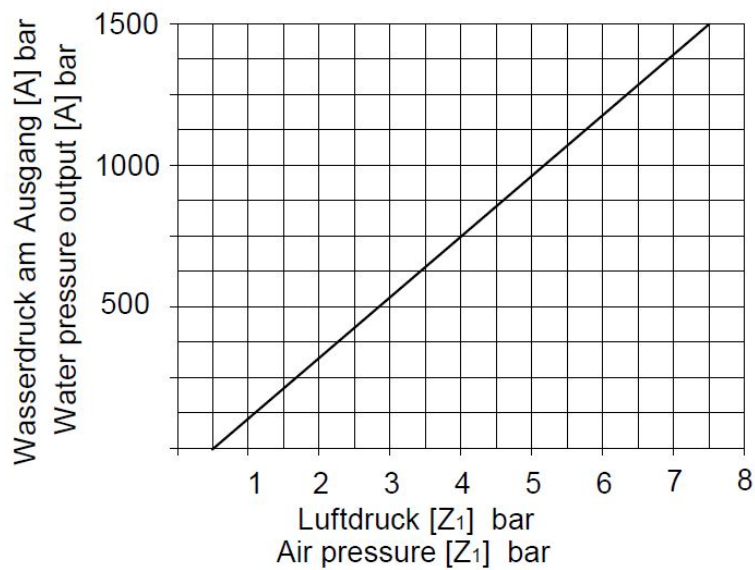
High wear resistance due to robust and solid construction.

Comfortable handling because of soft pressure increase.

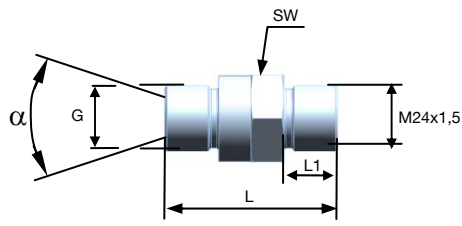
Technical Data:

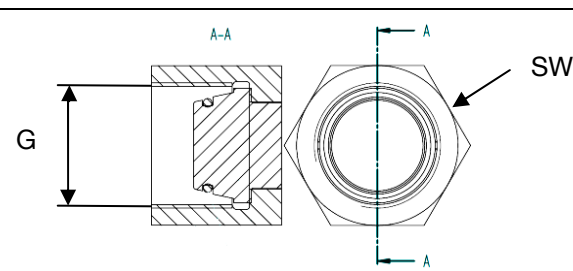
Material-No.:	9.914-557.0
Operating pressure:	max. 1500 bar
Flow rate:	max. 120 l/min
Medium:	Water
Weight:	appr. 14 kg
Cylinder diameter :	200 mm
Height:	ca. 350 mm
Connection (A): HP-outlet	iM24x1,5
Connection (P): HP-inlet	iM24x1,5
Connection (R): Return port	iM24x1,5
Air connection (Z1, Z2): Plug connection	8 mm
Air pressure:	max. 10 bar
Air consumption:	1,7l / stroke at 7,5 bar

Relationship high pressure to air pressure



Accessories:

Hose connector for connection A, P, R								
								
Material-No.:	G	α	for connection	L (mm)	L1 (mm)	SW (mm)	Operating pressure (bar)	Sealing ring
9.878-259.0	M24x1,5	24°	A / P	66	22	27	1500	9.882-304.0
9.878-263.0	M36 x 2	24°	A / P	78	22	41	1500	9.882-304.0
9.916-197.0	G1/2"	60°	R	41	14	27	400	9.916-198.0

Sealing cap for hose connection adapter outlet A / inlet P			
			
Material-No.:	G	SW (mm)	Operating pressure (bar)
9.871-566.0	M24 x 1,5	32	1500
9.871-565.0	M36 x 2	46	1500