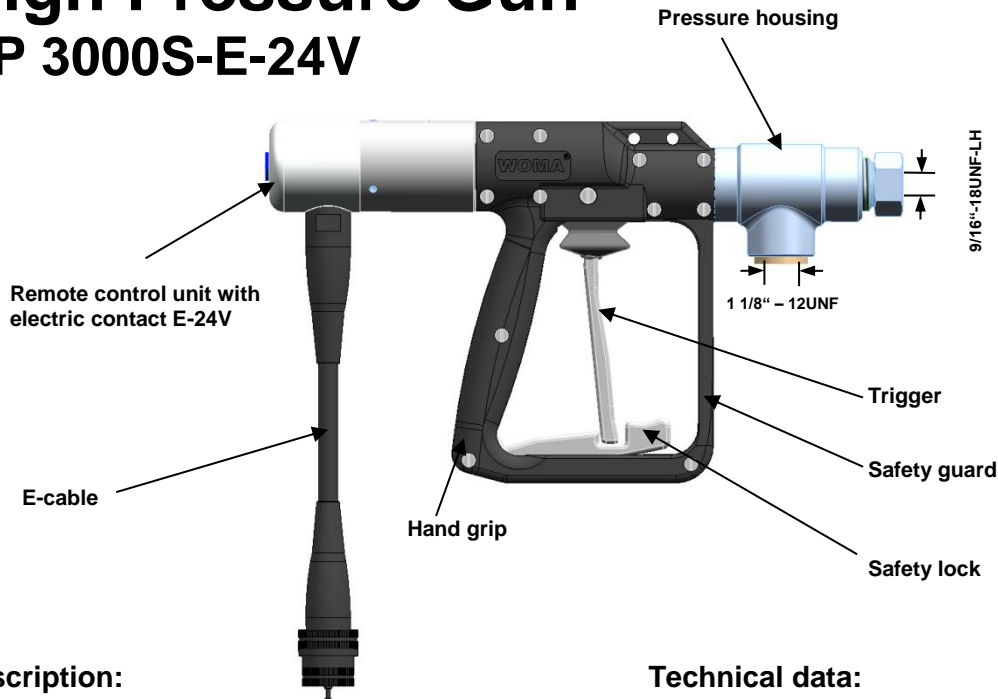


# High Pressure Gun

## HP 3000S-E-24V



### Description:

The HP 3000S-E-24V is a high pressure jetting gun which incorporates a low voltage micro switch into its design without mechanical valve.

Via the micro switch the high-pressure operation of the unit can be switched on or off. This facilitates work and increases worker safety.

Standard equipment includes: A check valve, trigger safety guard and latching trigger lock to prevent unintentional use, forged steel pressure housing and light weight polymerized hand grip

### Advantages:

High safety standard

Turnable hand grip

Fully encapsulated polymerized hand grip offers high tensile strength and excellent resistant to most chemicals.

All functional parts are protected from dirt and water invasion.

### Technical data:

Material-No.:	9.915-265.0
Operating pressure :	max. 3000 bar
Medium temperature:	max. +100°C
Recoil force perm. <b>without</b> body support:	max. 150 N
Recoil force perm. <b>with</b> body support:	max. 250 N
Weight:	approx. 2,1 kg
Length:	approx. 344 mm
Highth:	approx. 200 mm
Width:	approx. 50 mm

# HP 3000S-E-24V - Components

