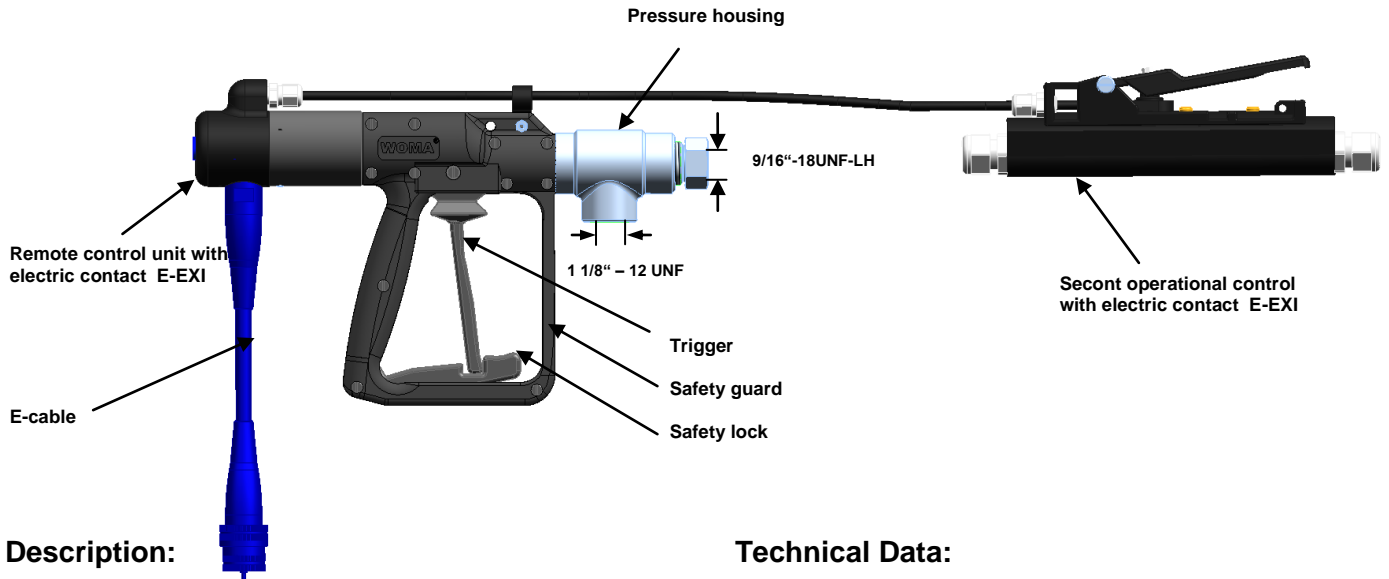


High Pressure Gun

HP 3000S-E-EXI-Z



Description:

The HP 3000S-E-EXI-Z is a high pressure jetting gun with two hand operation, which incorporates a second remote control unit resp. a second low voltage micro switch into its design without mechanical valve.

The second operational control increases safety standard.

Via the electric contacts, the high pressure operation of the unit can be switched on or off. This facilitates work and increases worker safety.

Standard equipment includes: A check valve, trigger safety guard and latching trigger lock to prevent unintentional use, forged steel pressure housing and light weight polymerized hand grip.

Special Advantages:

- High safety standard
- Two hand operation
- Turnable hand grip for easy operation
- Fully encapsulated polymerized hand grip offers high tensile strength and excellent resistant to most chemicals.
- All functional parts are protected from dirt and water invasion.

Technical Data:

| | |
|---|----------------|
| Material No.: | 9.915-278.0 |
| Operating pressure: | max. 3000 bar |
| Medium temperature: | max. 100 °C |
| Recoil force perm. without body support: | max. 150 N |
| Recoil force perm. with body support: | max. 250 N |
| Weight: | approx. 2,7 kg |
| Length (second operational control incl.): | approx. 700 mm |
| Height: | approx. 200 mm |
| Width: | approx. 50 mm |

HP 3000S-E-EXI-Z – Components

