

# Rotary bushing

## DDF 3000-25

The DDF 3000-25 is a pneumatically driven rotary bushing. The rotary bushing is suitable for stationary and mobile applications. The combination of DDF 3000-25 and nozzle arms produces a high-performance water jet tool that provides an efficient tool for working on large areas and surface cleaning, as a result of its variable rotational speed.

### Special features

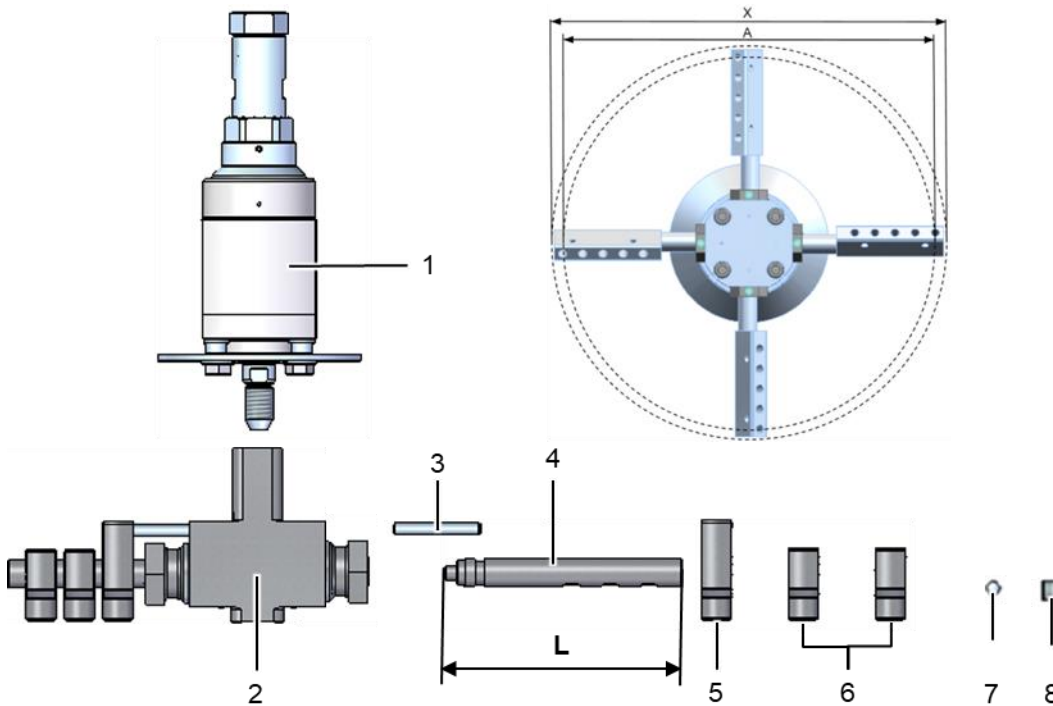
- Speed controllable via air pressure
- Pressurised components made from stainless steel
- Rugged design



9.916-963.0

Technical data		
<b>Type</b>		Pneumatic
Material number		9.916-963.0
Medium temperature	max.	60 °C
Operating pressure	max.	3000 bar
Volume flow rate	max.	25 l/min
Rotational speed	max.	2,500 rpm
Weight	approx.	2.2 kg
Inlet pressure Pneumatic motor		max. 6.5 bar
Air requirements		0.35–0.4 m <sup>3</sup> /min at 6.3 bar
Output at working speed	max.	0.16 kW
Direction of rotation		clockwise
Diameter	approx.	105 mm
Height	approx.	203 mm
Hydraulic connection		9/16"-18-UNF-LH
Accessory connection		M14x1.5

## Standard nozzle arm accessory



Standard nozzle arm					
Item	Material number	Number of nozzles, shape 21	Working Ø A [mm]	Length L [mm]	Displacement circle Ø X [mm]
1	9.916-963.0	DDF 3000-25 pneumatic			
2	9.917-643.0	M14x1.5 connecting flange			
3	9.917-971.0	1	160	82	196
	9.917-972.0	2	200	102	236
	9.917-973.0	3	240	122	276
	9.917-974.0	4	280	142	316
	9.917-975.0	5	320	162	356
	9.917-976.0	6	360	182	396
	9.917-644.0	Plug			
4	9.917-968.0	Nozzle holder I (always required for nozzle locking)			
5	9.917-969.0	Nozzle holder II			
6	9.883-217.0	Ball *			
7	9.881-012.0	Grub screw *			

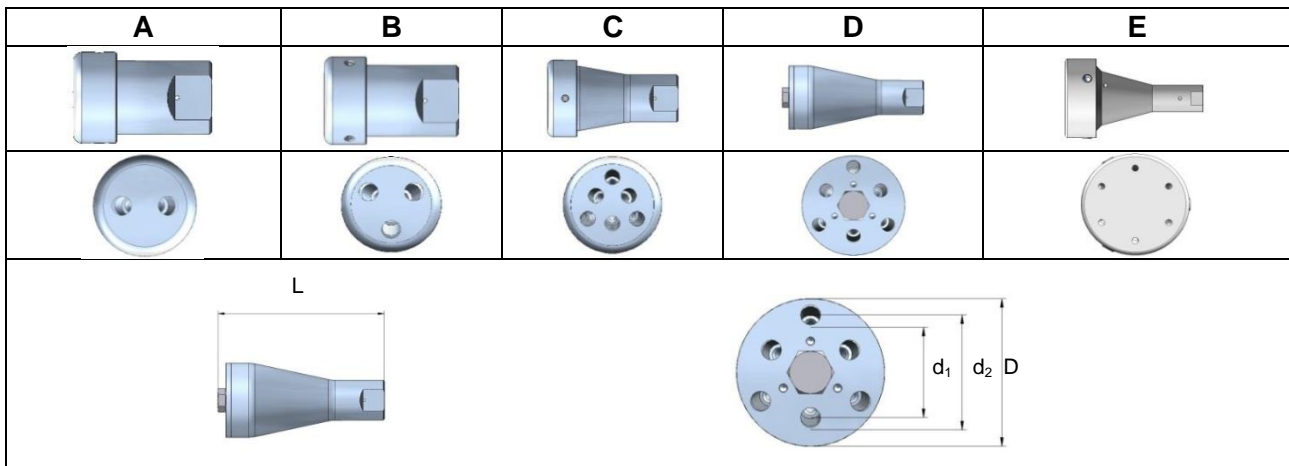
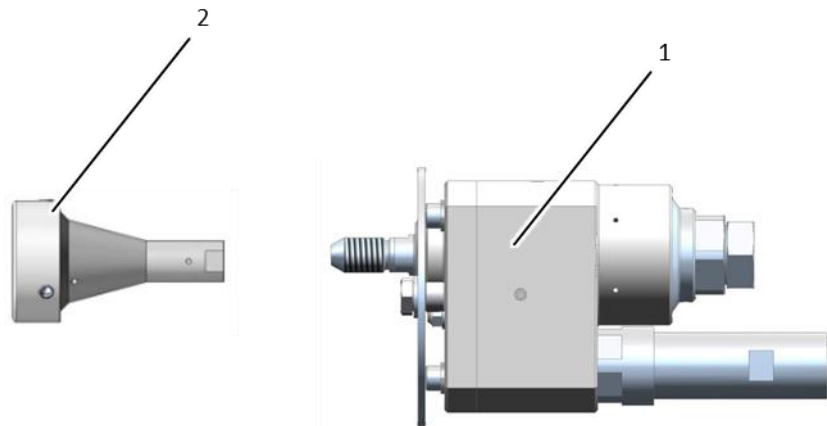
\* 1x required per nozzle arm

### Example order

Pneumatic rotary bushing with 2 nozzle arms and 240 mm working width

1. 9.916-963.0 DDF 3000-25 pneumatic
2. 9.917-643.0 M14x1.5 connecting flange
3. 24x 9.917-973.0 240 mm nozzle arms
4. 24x 9.917-968.0 nozzle holder I
5. 48x 9.917-969.0 nozzle holder II
6. 24x 9.883-217.0 ball
7. 24x 9.881-012.0 grub screw

## Nozzle carrier head accessory



Nozzle carrier heads									
Item	Material number	Shape	Number of nozzles, shape 21	Pitch circle d <sub>1</sub> [mm]	Pitch circle d <sub>2</sub> [mm]	Nozzle jet angle		L [mm]	D [mm]
						d <sub>1</sub>	d <sub>2</sub>		
1	9.916-963.0	DDF 3000-25 pneumatic							
2	9.886-774.0	A	2	17	–	20°	–	64	42
	9.886-775.0	B	3	20	–	30°	–	64	42
	9.886-772.0	C	3 + 3	20	30	20°	24°	89	52
	9.886-773.0	D	3 + 3	35	45	20°	24°	133	59
	9.886-645.0	E	3 + 3	40	42	30°	30°	114	65