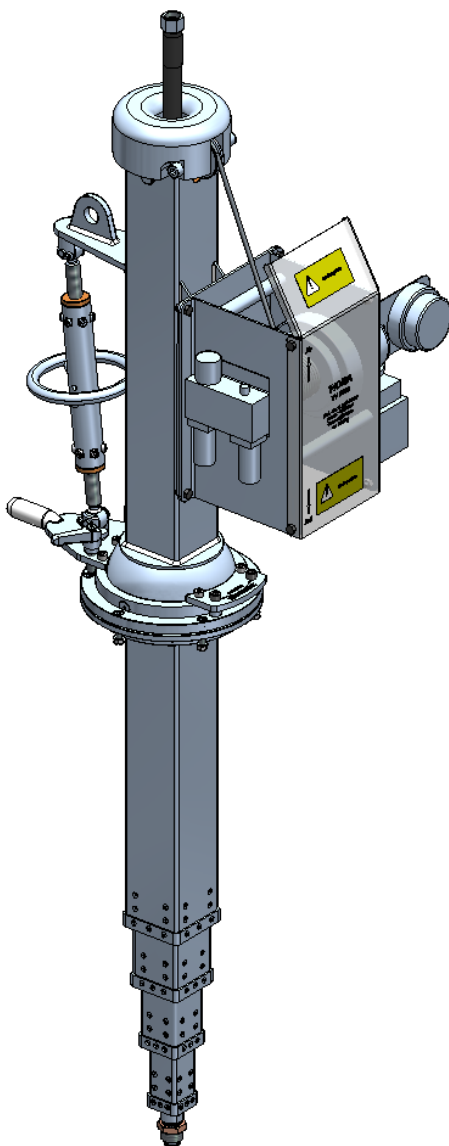


Telescope Device

TV 5000

The TV 5000 is a mobile telescope device with extendable telescope pipes, intended for use in potentially explosive atmosphere. With the TV5000 a tank cleaning head can be brought in different positions by which an efficient cleaning is achieved.

The position of the tank cleaning head and the cleaning result can be supervised via sight glasses. The pneumatic wire rope winch is operated with a one hand remote control for lifting / lowering including an emergency stop system.



Special benefits

- Appropriate for operation in explosive atmosphere (max. 500 bar)
Classification: EX II 3G II Bc T4 / EX II 3D c 135 °C
- A multitude of commonly used manhole cover could be selected from the product range, customized manhole plates are available upon request

| Technical Data | |
|--|-------------------------|
| Material-Number | 9.917-648.0 |
| Operating pressure | max. 1.500 bar |
| Nominal flow rate | max. 250 l/min |
| High pressure connection tool | M36x2 DKO |
| High pressure connection hose | DN20 6,5 m |
| Working length | 5 m |
| Number of steps | 5 |
| Weight | approx. 250 kg |
| Slewing range | max. 65° |
| Turning range | 180° |
| Oiled compressed air, operating pressure | max. 6 bar |
| Air consumption | 1,5 m ³ /min |
| Air connection | G 1/2" |
| Wire rope speed Up / Down | 4 / 7 m/min |
| Length control hose: | 2 m |



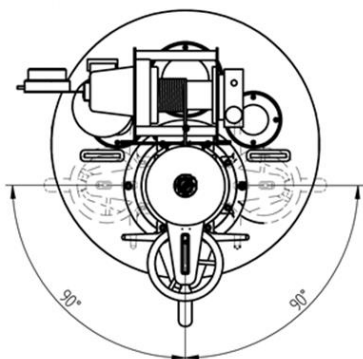
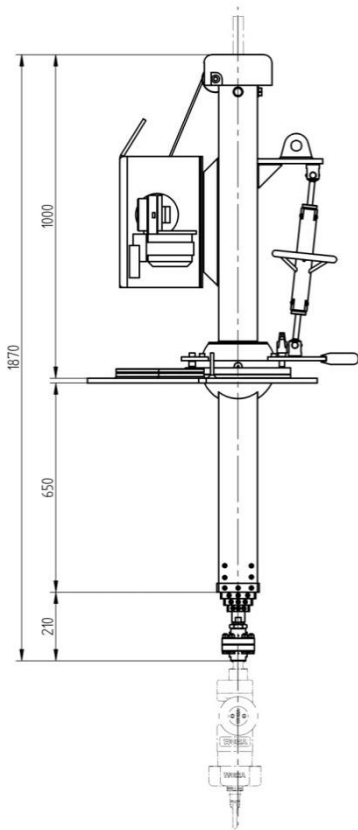
Connection fitting for high pressure hose

| Connection HP Hose | Material-Number |
|--------------------|-----------------|
| M30x1,5 60° DK | 9.877-685.0 |
| M22x1,5 60° DK | 9.877-793.0 |
| M24x1,5 24° DK | 9.877-933.0 |

Manhole cover

| Description | Material-Number |
|--|-----------------|
| Deckel DN 500 | 9.917-846.0 |
| Deckel DN 600 | 9.917-849.0 |
| Deckel DN 700 | 9.917-847.0 |
| Manhole plate Ø 710 mm (with sight glasses) | 9.917-661.0 |

* customized manhole plates are available upon request



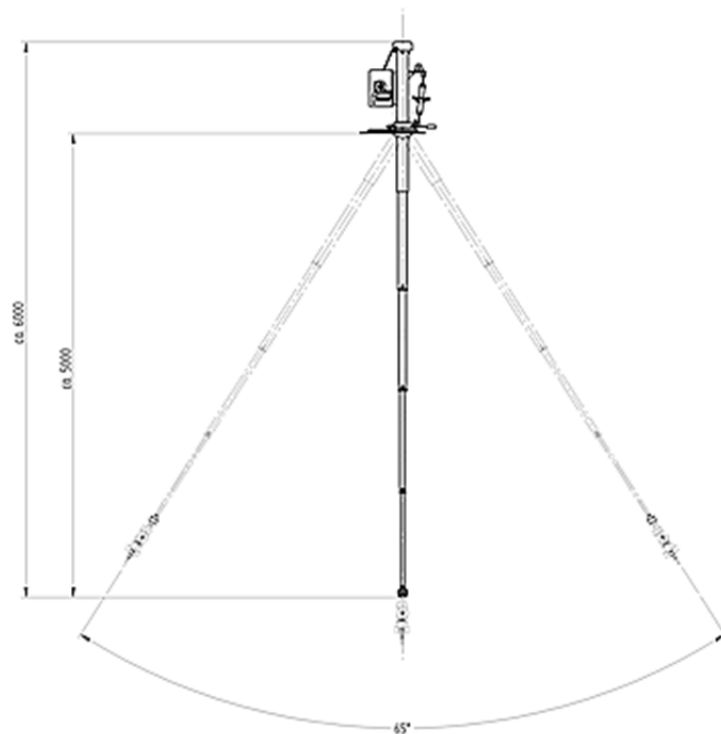
turnable about 180°

Accessories

| Description | Material-Number |
|-------------------------|-----------------|
| TankMaster S-1500 | 9.899-844.0 |
| TankMaster S-500/200 EX | 9.914-584.0 |
| TankMaster SL-1500 | 9.899-845.0 |
| Tankmaster L-1500 | 9.917-766.0 |

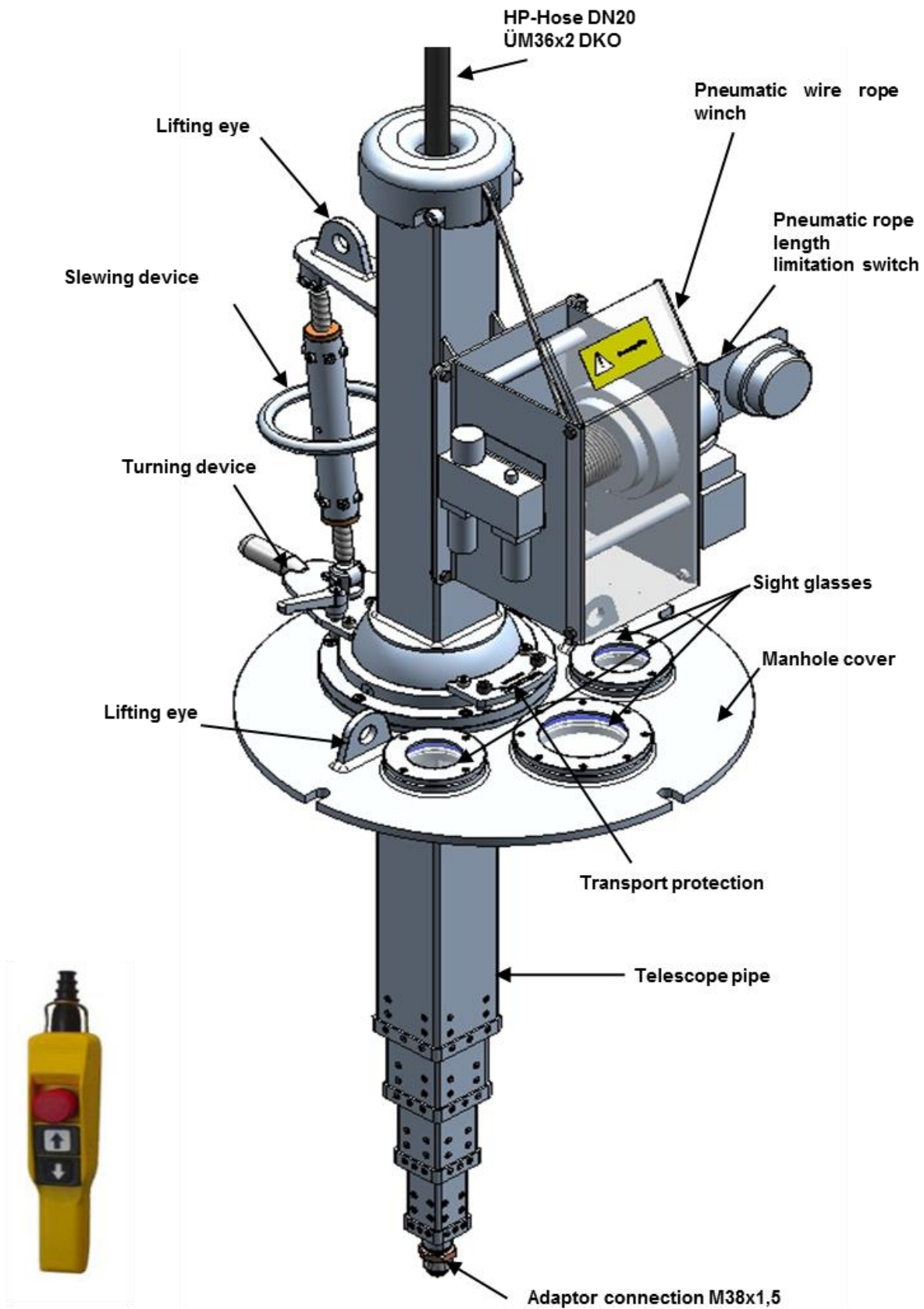
* for connection of Tankmaster S and SL the adapters 9.896-148.0 and 9.896-356.0 are required.

** for connection of Tankmaster L the adapters 9.896-148.0 and 9.916-544.0 are required.



sleuable about 65°

Overview



Pneumatic control switch