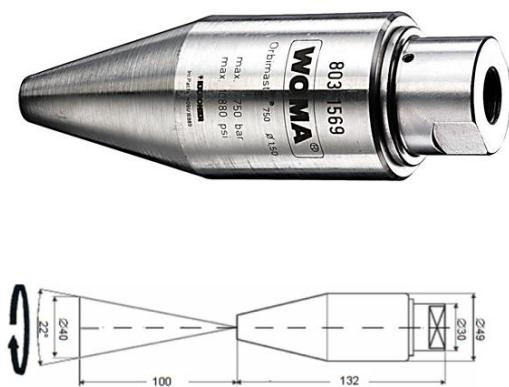


# Surface cleaning nozzle

## Orbimaster 500

Orbimaster combines the powerful force of a round jet with the area cleaning achieved with a flat jet. The Orbimaster can be fitted to lances, guns and robots with approved high-pressure screw fittings.



### Special features

- High surface coverage thanks to orbital movement of water jet
- Low weight
- Suitable for hot water operation up to 98 °C
- Rotor and seat from cemented carbide, housing from high-strength steel
- Straightforward operation
- Self-rotating
- Rotor is easy to replace

### Technical data

Operating pressure	max.	500 bar
Medium temperature	max.	+98 °C
Weight	approx.	0.70 kg
High-pressure connection		9/16"-18 UNF-LH

### Accessories

Designation	Material number
Connection adapter for guns with G 3/8", lance diameter 25 mm	9.872-159.0
Special tool for replacing the rotor seat	6.025-233.0

Variants										
Rotor-Ø d [mm]	Replacement rotor with seat	Operating pressure [bar]								
		100	150	200	250	300	350	400	450	500
Material number	Material number	Nozzle flow rate [l/min]								
		Recoil force in jet direction [N]*								
<b>0.90</b> 9.910-938.0		4.6 11	5.6 16	6.5 21	7.3 27	8.0 32	8.6 38	9.2 43	9.8 48	10.3 54
<b>1.14</b> 9.886-678.0		7.8 18	9.6 27	11.0 36	12.3 46	13.5 55	14.6 64	15.6 73	16.5 82	17.4 91
<b>1.19</b> 9.886-679.0	9.884-146.0	9.1 21	11.1 32	12.9 42	14.4 53	15.8 64	17.0 74	18.2 85	19.3 96	20.3 106
<b>1.29</b> 9.913-706.0		10.3 24	12.6 36	14.6 48	16.3 60	17.8 72	19.3 84	20.6 96	21.8 108	23.0 120
<b>1.35</b> 9.886-680.0	9.884-147.0	11.2 26	13.7 39	15.8 52	17.7 65	19.4 78	21.0 92	22.4 105	23.8 118	25.0 131
<b>1.42</b> 9.886-681.0	9.884-148.0	12.8 30	15.7 45	18.1 60	20.2 75	22.2 90	23.9 105	25.6 120	27.2 134	28.6 149
<b>1.47</b> 9.910-939.0		13.7 32	16.8 48	19.4 64	21.7 80	23.7 96	25.6 112	27.4 128	29.1 144	30.6 160
<b>1.52</b> 9.886-682.0	9.884-149.0	14.8 35	18.1 52	20.9 69	23.4 86	25.6 104	27.7 121	29.6 138	31.4 155	33.1 173
<b>1.62</b> 9.910-940.0	9.884-150.0	16.0 37	19.6 56	22.6 75	25.3 93	27.7 112	29.9 131	32.0 149	33.9 168	35.8 187
<b>1.65</b> 9.910-941.0		17.0 40	20.8 60	24.0 79	26.9 99	29.4 119	31.8 139	34.0 159	36.1 179	38.0 198
<b>1.70</b> 9.886-683.0		18.2 42	22.3 64	25.7 85	28.8 106	31.5 127	34.0 149	36.4 170	38.6 191	40.7 212
<b>1.80</b> 9.886-684.0	9.884-151.0	19.2 45	23.5 67	27.2 90	30.4 112	33.3 134	35.9 157	38.4 179	40.7 202	42.9 224
<b>1.90</b> 9.886-685.0	9.911-409.0	22.8 53	27.9 80	32.2 106	36.0 133	39.5 160	42.7 186	45.6 213	48.4 240	51.0 266
<b>2.00</b> 9.886-686.0		25.0 58	30.6 88	35.4 117	39.5 146	43.3 175	46.8 204	50.0 233	53.0 263	55.9 292
<b>2.12</b> 9.886-687.0	9.884-153.0	27.2 63	33.3 95	38.5 127	43.0 159	47.1 190	50.9 222	54.4 254	57.7 286	60.8 317

\* For a manual spraying unit without body support, a max. recoil force of **150 N** is permitted.

\* For a manual spraying unit with body support, a max. recoil force of **250 N** is permitted.