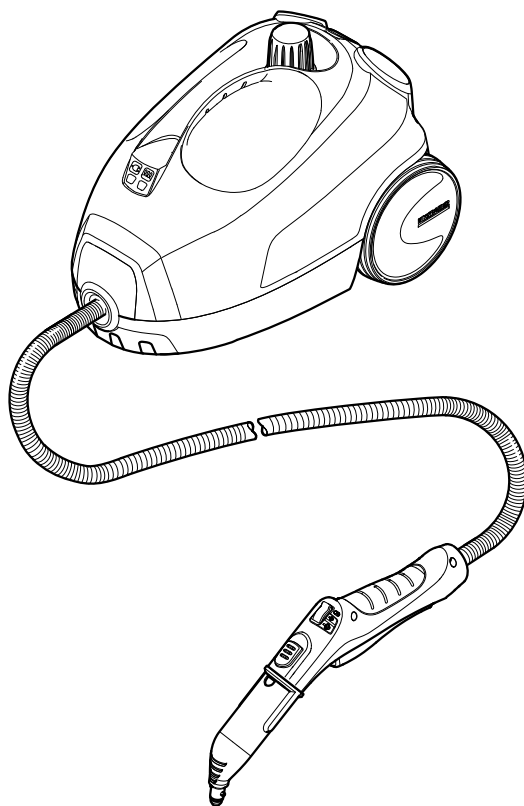


Operating Instructions

Before first use of the unit
read these operating instructions
and act in accordance with them.



Contents

General information	3
Safety instructions	4
Description of the Appliance	6
Quick Reference	7
Operation	8
How to Use the Accessories	10
Maintenance and care	12
Troubleshooting	13
Customer service	13
Technical specifications	14
Spare Parts	15

General information

Dear Customer,



Please read and comply with these original instructions prior to the initial operation of your appliance and store them for later use or subsequent owners.

Proper use

Use the steam cleaner only for private households.

The appliance is intended to be used with steam and can be used with the appropriate accessories as described in these operating instructions. You will not need any detergent. Please adhere to the safety instructions.

Symbols in the operating instructions

 **Danger**

Immediate danger that can cause severe injury or even death.

 **Warning**

Possible hazardous situation that could lead to severe injury or even death.

Caution

Possible hazardous situation that could lead to mild injury to persons or damage to property.

Symbols on the machine



Steam

CAUTION - Danger of scalding

Environmental protection



The packaging material can be recycled. Please do not place the packaging into the ordinary refuse for disposal, but arrange for the proper recycling.



Old appliances contain valuable materials that can be recycled. Please arrange for the proper recycling of old appliances. Please dispose your old appliances using appropriate collection systems.

Notes about the ingredients (REACH)

You will find current information about the ingredients at:

www.kaercher.com/REACH

Scope of delivery

The scope of delivery of your appliance is illustrated on the packaging. Check the contents of the appliance for completeness when unpacking.

In the event of missing accessories or any transport damage, please contact your dealer.

Spare parts

Use only original KÄRCHER spare parts. You will find a list of spare parts at the end of these operating instructions.

Warranty

The warranty terms published by the relevant sales company are applicable in each country. We will repair potential failures of your appliance within the warranty period free of charge, provided that such failure is caused by faulty material or defects in manufacturing. In the event of a warranty claim please contact your dealer or the nearest authorized Customer Service centre. Please submit the proof of purchase. (See address on the reverse)

Safety instructions

⚠ Danger

- *The appliance may not be used in areas where a risk of explosion is present.*
- *If the appliance is used in hazardous areas the corresponding safety provisions must be observed.*
- *Never use the appliance in pools containing water.*
- *The device should not be used to clean electrical appliances such as oven, exhaust, micro-wave, televisions, lamps, hair-dryer, electrical heating systems, etc.*
- *Check the faultless condition of the appliance and the accessories before using it. Otherwise, the appliance must not be used. Please check in particular the power cord, the safety lock, and the steam hose.*
- *If the power cord is damaged, please arrange immediately for the exchange by an authorized customer service or a skilled electrician.*
- *Please arrange for the immediate exchange of a damaged steam hose. You may only use a steam hose that is recommended by the manufacturer (see spare parts list for the order number).*
- *Never touch the mains plug and the socket with wet hands.*
- *Never use the appliance to clean objects containing hazardous substances (e.g. asbestos).*
- *Never touch the steam jet from a short distance with your hands and never direct the steam jet to persons or animals (risk of scalds).*

⚠ Warning

- *The appliance may only be connected to an electrical supply which has been installed in accordance with IEC 60364.*
- *The appliance may only be connected to alternating current. The voltage must correspond with the type plate on the appliance.*

- *In wet rooms, e.g. bathrooms, connect the appliance to sockets with a series connected RCD adapter.*
- *Unsuitable electrical extension cables can be hazardous. Only use a splash-proof electrical extension cable with a minimum cross-section of 3x1 mm².*
- *The connection between power cord and extension cable must not lie in water.*
- *If couplings of the power cord or extension cable are replaced the splash protection and the mechanical tightness must be ensured.*
- *The operator must use the appliance correctly. When working with the appliance, he must consider the local conditions and pay due care and attention to other persons, in particular children, who are nearby.*
- *This device is not intended for use by persons (including children) with reduced physical, sensory or mental abilities or lacking experience and/or knowledge, unless they are supervised by a person responsible for their safety or are instructed by these persons on the use of the device. Children should be supervised, to ensure that they do not play with the device.*
- *Never leave the appliance unattended when it is in operation.*
- *Be very careful while cleaning tiled walls with sockets.*

Caution

- *Make sure that the power cable or extension cables are not damaged by running over, pinching, dragging or similar. Protect the power cable from heat, oil, and sharp edges.*
- *Never fill solvents, solvent-containing liquids or undiluted acids (e.g. detergents, benzene, paint thinner, and acetone) into the water reservoir as these substances affect the materials used on the appliance.*
- *The appliance must provide of a stable ground.*

- *Use and store the unit only in accordance with the specifications in the description and/or figure.*
- *The steam switch must not be locked during the operation.*
- *Protect the appliance from rain. Do not store outside.*

Safety Devices

Caution

Safety devices protect the user and must not be modified or bypassed.

Pressure controller

The pressure controller keeps the boiler pressure during the operation as constant as possible. The heating is turned off if the maximum operating pressure of 4 bar is reached in the boiler and is reactivated in case of a pressure drop in the boiler due to steam tapping.

Safety thermostat

The safety thermostat turns off the appliance if the pressure controller fails and the appliance overheats in case of a malfunction. Please contact your local KÄRCHER customer service to arrange for the reset of the safety thermostat.

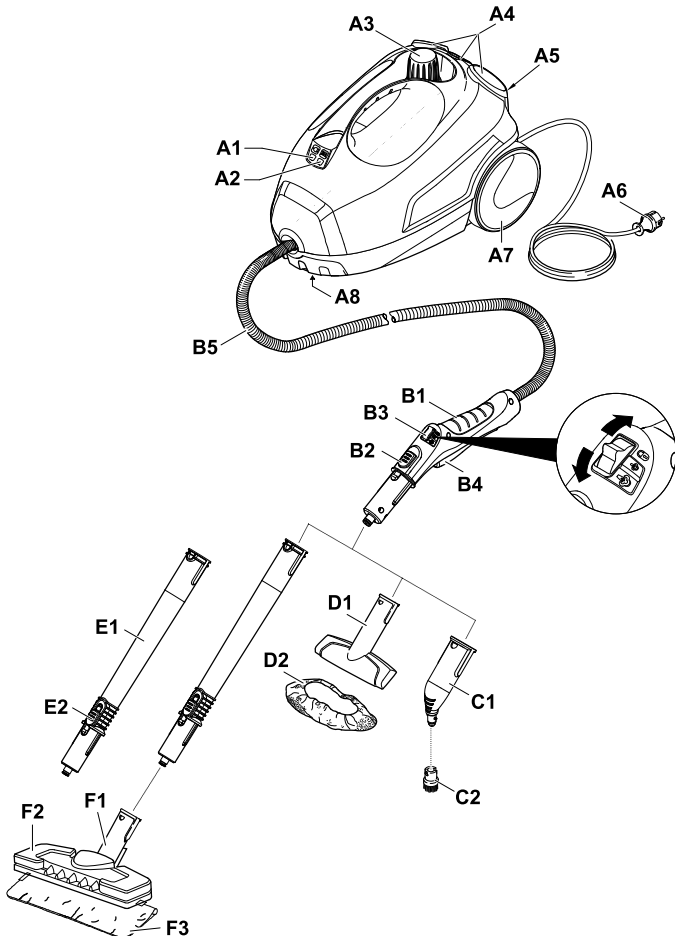
Safety lock

The safety lock seals the boiler against the steam pressure that builds up in the boiler. If the pressure controller is defect and the steam pressure in the boiler rises, a pressure control valve in the safety lock opens, and steam is emitted through the lock to the outside.

Please contact your local KÄRCHER customer service before you put the appliance into operation again.

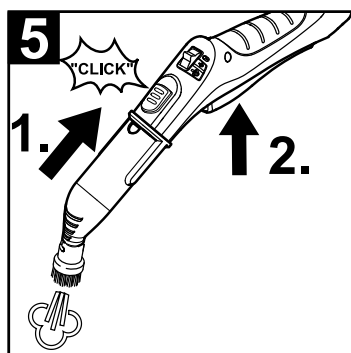
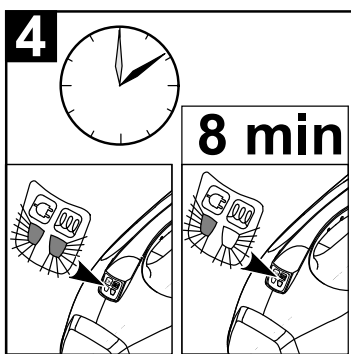
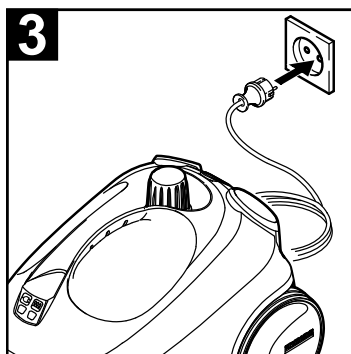
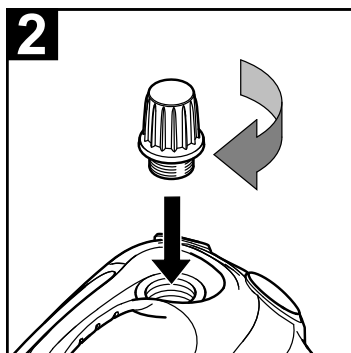
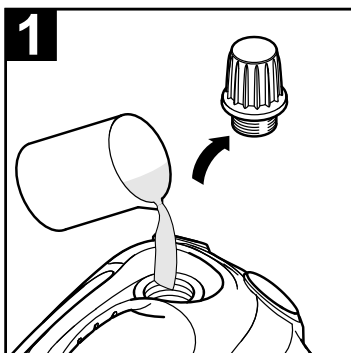
Description of the Appliance

- | | |
|---|---|
| <p>A1 Indicator lamp (green) –
line voltage is on</p> <p>A2 Indicator lamp - heater (ORANGE)</p> <p>A3 Safety cap</p> <p>A4 Holder for accessories</p> <p>A5 Storage holder for floor nozzle</p> <p>A6 Mains cable with mains plug</p> <p>A7 Running wheels (2 ea.)</p> <p>A8 Steering roller</p> <p>B1 Steam gun</p> <p>B2 Unlocking button</p> <p>B3 Selector switch for the steam volume
(with child protection)</p> | <p>B4 Steam lever</p> <p>B5 Steam hose</p> <p>C1 Detail nozzle</p> <p>C2 Round brush</p> <p>D1 Hand nozzle</p> <p>D2 Terry cloth cover</p> <p>E1 Extension tubes (two tubes)</p> <p>E2 Unlocking button</p> <p>F1 Floor nozzle</p> <p>F2 Retaining clip</p> <p>F3 Terry floor cloth</p> |
|---|---|

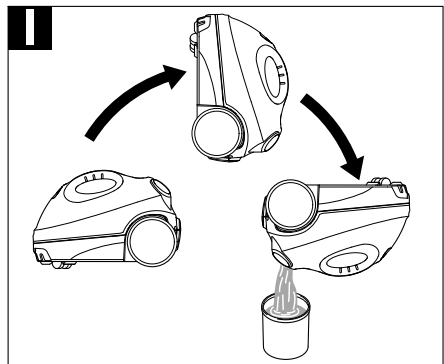
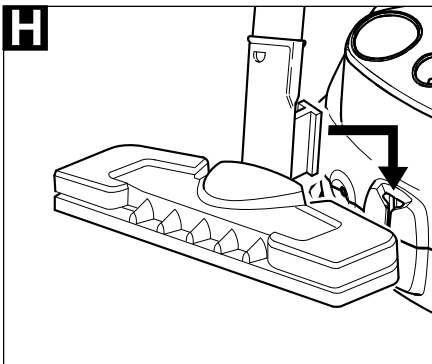
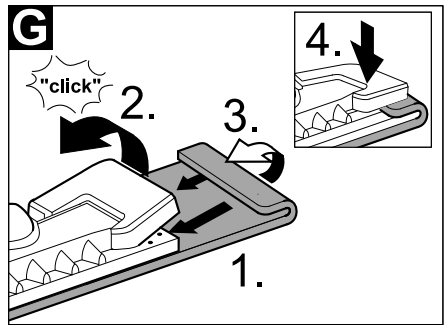
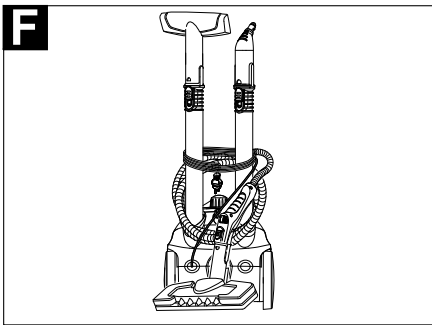
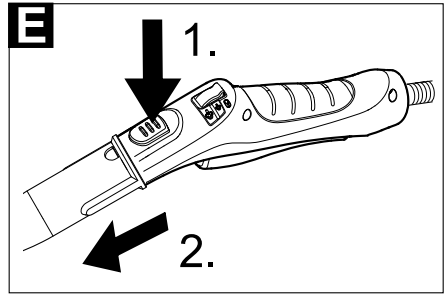
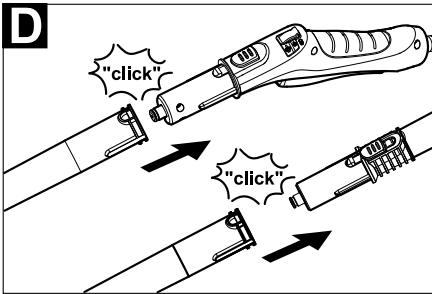
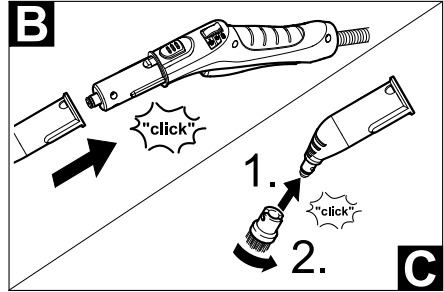
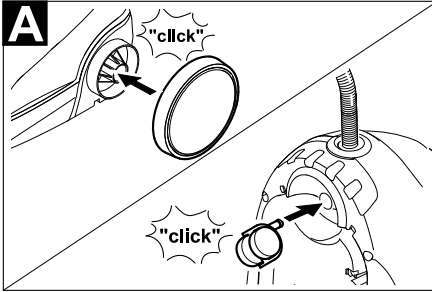


Quick Reference

- 1 Unscrew the safety lock and fill the steam cleaner with a max. of 1 litre of water.
- 2 Screw in safety cap.
- 3 Plug in the main plug.
The green and orange indicator lamps light up.
- 4 Wait until the orange indicator lamp goes out.
- 5 Connect the accessories to the steam gun.
The steam cleaner is ready to use.



Operation



Attaching the Accessories

Illustration

→ Insert steering roller and transport wheels and lock them.

Illustration

→ Connect the required accessories (see Chapter "How to use the accessories") to the steam gun. Insert the open end of the accessory on the steam gun and push onto the steam gun until the unlocking button of the steam gun locks into place.

Illustration

→ Use the extension tubes if necessary. To do so, connect one or both extension tubes to the steam gun. Insert the required accessories on the free end of the extension tube.

Removing the Accessories

Danger

Hot water may drip out of the accessory parts while you are detaching them! Never detach accessory parts while steam streams out - risk of scalding!

→ Move the selector switch for the steam volume back (steam lever locked).

→ Illustration

To detach the accessory parts, press the unlocking button and pull the items apart.

Fill up with water


Note: *If you always use usual commercial distilled water it is not necessary to descale the boiler.*

Caution

Do not use condensation water from the drier!

Do not fill in detergents or other additives!

→ Remove the safety cap from the device.

→ Completely empty the steam boiler to remove existing water (see fig. ).

→ Fill the boiler with a maximum of 1 liters of fresh tap water.

Note: *You can cut down the heating-up time by using warm water.*

→ Screw the safety cap back onto the device.

Turning on the Appliance

→ Place the unit securely on a firm surface.

Caution

The appliance must not be carried during cleaning.

→ Insert the mains plug into a socket.

Both indicator lamps must illuminate.

Caution


Do not turn the appliance on without water in the boiler. Otherwise, the appliance may overheat (see Help with faults).

→ The orange indicator lamp goes out after approximately 8 minutes.


The steam cleaner is ready to use.

Adjusting the Steam Quantity

Use the selector switch for the steam volume to regulate the discharged steam. The selector switch has three positions:

 Maximum steam volume

 Reduced steam volume

 No steam - child protection

Note: *In this lever position, the steam lever cannot be used.*

→ Set selector switch to the required steam volume.

→ While operating the steam switch, always direct the steam gun at a separate piece of cloth until the steam is emitted evenly.

Note: *The heating of the steam cleaner is turned on in regular intervals during the operation of the appliance in order to maintain the pressure in the boiler at a constant level. When the heating is turned on, the orange indicator lamp (heater) lights up.*

Refilling Water

Water needs to be filled into the boiler, if the steam volume decreases during work and no more steam is emitted in the end.

Note: *The safety lock cannot be opened as long as slight pressure remains in the boiler.*

- ➔ Disconnect the mains plug from the socket.
- ➔ Push the steam switch until steam discharge stops. Now, the boiler of the appliance is unpressurized.
- ➔ Remove the safety cap from the device.

⚠ Danger

A residual amount of steam may be emitted when you open the safety lock. Be careful when opening the safety lock, there is a risk of scalding.

- ➔ Fill the boiler with a maximum of 1 liters of fresh tap water.

⚠ Danger


If the boiler is hot, there is the risk of scalding as the water may splash back during the filling process! Do not fill any detergents or other additives into the boiler!

- ➔ Screw the safety cap back onto the device.
- ➔ Insert the mains plug into a socket.
- ➔ The orange indicator lamp goes out after approximately 8 minutes. The steam cleaner is ready to use.

Turning Off the Appliance

- ➔ Disconnect the mains plug from the socket.

Storing the Appliance

- ➔ Illustration 
- Put the extension pipes into the large accessory compartments.
- Insert the manual nozzle and detail nozzle onto each extension pipe.
- Put the round brush into the medium accessory compartments.
- Hook the floor nozzle into the parking position.

- Wrap the steam hose around the extension pipes and insert the steam pistol into the floor nozzle.

How to Use the Accessories

Important application instructions

Cleaning floor surfaces

It is recommended to sweep or vacuum the floor prior to using the steam cleaner. This way, the floor is already cleared of dirt/ loose particles prior to the wet cleaning.

Refreshing textiles

Prior to treatment with the steam cleaner, always check the reaction of the textiles in an inconspicuous location: Steam at first, then let dry and then check for colour or shape changes.

Cleaning of Coated or Lacquered Surfaces

When cleaning painted or plastic-coated surfaces, as found on kitchen and living room furniture, doors, parquet; wax, furniture polish, plastic surfaces or paint can come loose or stains can be created. When cleaning these surfaces, briefly steam a cloth and wipe the surfaces with it.

Caution

Never direct the steam jet at glued edges as the edge band may loosen. Do not use the steam cleaner on unsealed wooden or parquet floors.

Cleaning of Glass

In case of low outside temperatures, especially in the winter, warm up the window pane by slightly steaming the entire glass surface. This will prevent tensions on the surface which might lead to glass breakage.

Then clean the window surface with the hand nozzle and attachment. Use a squeegee to remove the water or wipe the surfaces dry.

Caution

Do not direct steam onto the sealed locations of the window frame to prevent damage.

Steam gun

You can use the steam gun without any additional accessories, e.g.:

- to remove odours and wrinkles from hanging clothes by steaming them at a distance of 10 to 20 cm.
- to remove dust from plants. Here, keep a distance of 20-40 cm.
- for moist dusting, by briefly steaming the cloth and wiping the furniture with it.

Detail nozzle

The closer this nozzle is to the contaminated area, the higher the cleaning effect, as the temperature and the steam are highest at the nozzle output. Especially suited for cleaning difficult access locations, joints, fittings, drains, sinks, toilets, blinds and heaters. Heavy lime scale can be drenched in vinegar prior to steam-cleaning. Let the vinegar penetrate for about 5 minutes.

Round brush

The round brush can be installed onto the detail nozzle as an accessory. Attached brushes can therefore be used to remove heavy soiling.

Caution

Not suited for the cleaning of sensitive surfaces.

→ Illustration

Attach the round brush to the detail nozzle.

Hand nozzle

Pull the terry cloth cover over the hand nozzle. Especially well-suited for small washable areas, shower stalls and mirrors.

Floor nozzle

Suited for all washable walls and floor coverings, e.g. stone floors, tiles and PVC floors. Work slowly on very dirty surfaces to allow the steam to act on the dirt for a longer period of time.

Note: *Detergent residue or care emulsions that are still present on the surfaces to be cleaned, can lead to smears when steam cleaned. However, these will disappear with repeated cleaning procedures.*

→ Illustration

Attach the floor cloth to the floor nozzle.

- 1 Fold the floor cloth the long way and place the floor nozzle on top of it.
- 2 Open holding clamps.
- 3 Place the cloth ends into the openings.
- 4 Close the holding clamps.

Caution

Do not insert fingers between the clamps.

Parking the floor nozzle

→ Illustration

During work breaks, hook the floor nozzle into the parking holder.

Maintenance and care

⚠ Danger

Always disconnect the mains plug and allow the steam cleaner to cool down before performing any maintenance work.

Rinsing the boiler

Rinse the steam cleaner boiler at the latest after 10 boiler fillings.

- Fill the boiler with water and shake it strongly. This dissolves lime scaling residing on the boiler bottom.
- Empty water out.

Descaling the boiler

Note: If you always use usual commercial distilled water it is not necessary to descale the boiler.

As limescale builds up on the boiler walls, we recommend to descale the boiler in the following intervals (RF=reservoir fillings):

Degree of hardness	° dH	mmol/l	RF
I soft	0- 7	0-1,3	55
II medium	7-14	1,3-2,5	45
III hard	14-21	2,5-3,8	35
IV very hard	>21	>3,8	25

Note: Please contact your Conservancy Board or the local water supply company to inquire about the hardness of your water.

- Disconnect the mains plug from the socket.
- Allow device to cool down.
- Remove the safety cap from the device.
- Completely empty the steam boiler to remove existing water (see fig. ■■).

⚠ Warning

Only use products approved by KÄRCHER to exclude any damages of the appliance.

- Use the KÄRCHER decalcifier sticks (order no. 6.295-206) to decalcify the water. Please follow the dosing instructions on the packaging while using the decalcifying solution.

Caution

Use caution when filling and emptying the steam cleaner. The descaling solution can have an aggressive effect on delicate surfaces.

- Pour the descaling solution into the boiler and allow it to react for approximately 8 hours.

⚠ Warning

Do not screw the safety lock on the appliance during the decalcifying.

Do not use the steam cleaner as long as there is decalcifying agent in the boiler.

- Completely empty the descaling solution after 8 hours. A small amount of the solution will remain in the boiler. Therefore, you should rinse the boiler two to three times with cold water to remove any residues of the descaler.
- Completely empty the steam boiler to remove existing water (see fig. ■■).

Care of the Accessories

Note: The floorcloth and the terry cloth cover have been pre-washed and can be used immediately for working with the steam cleaner.

- You can wash dirty floorcloths and terry cloth covers in the washing machine at 60°C. Do not use a liquid softener as this would affect the ability of the cloths to pick up dirt. You may tumble dry the cloths.

Troubleshooting

Often, failures have simple causes and you can do the troubleshooting yourself using the following overview. If you are in doubt or if the failure is not listed here please contact the authorized customer service.

⚠ Danger

Always disconnect the mains plug and allow the steam cleaner to cool down before performing any maintenance work.

Repair works may only be performed by the authorized customer service.

Long heating-up time

Steam boiler is decalcified

→ Descale the steam boiler.

No steam

No water in the steam boiler.

→ Turn off the appliance.

→ See „Refilling Water“ Page 10.

Steam lever cannot be pressed anymore

Steam switch is secured with the lock / child-proof lock.

→ Move the selector switch for the steam volume to the front.

High water output

Steam chamber too full

→ Press the steam gun until less water is emitted.

Steam boiler is decalcified

→ Descale the steam boiler.

Customer service

Australia

KÄRCHER Pty. Ltd.
40 Koornang Road
Scoresby, Victoria 3179

1800 675 714 (Free Call)

www.karcher.com.au

New Zealand

Karcher Ltd.
12 Ron Driver Place
East Tamaki, Auckland

(09) 274-4603

www.karcher.co.nz

Technical specifications

Power connection

Voltage	220-240 V 1~50/60 Hz
---------	-------------------------

Protective class	I
------------------	---

Protection class	IPX4
------------------	------

Performance data

Heating output	1500 W
----------------	--------

Operating pressure max.	0,32 MPa
-------------------------	----------

Heating time	8 Minutes
--------------	-----------

Steam volume

Continuous steaming	40 g/min
---------------------	----------

Steam push max.	100 g/min
-----------------	-----------

Dimensions

Boiler capacity	1,0 l
-----------------	-------

Weight (without accessories)	3,1 kg
------------------------------	--------

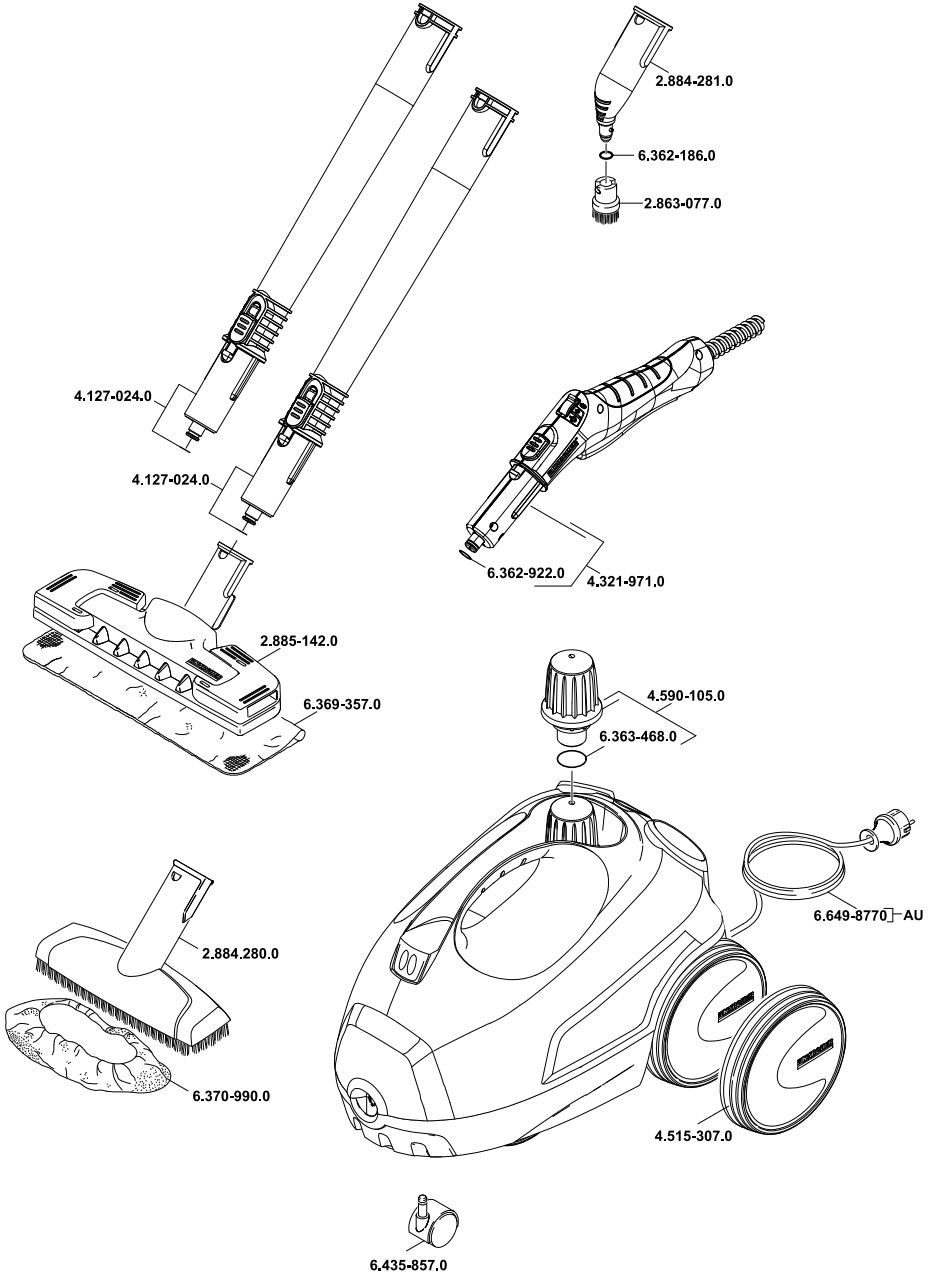
Width	254 mm
-------	--------

Length	380 mm
--------	--------

Height	260 mm
--------	--------

Subject to technical modifications!

Spare Parts



03.04.2013 5.965-033.0



<http://www.kaercher.com/dealersearch>

