

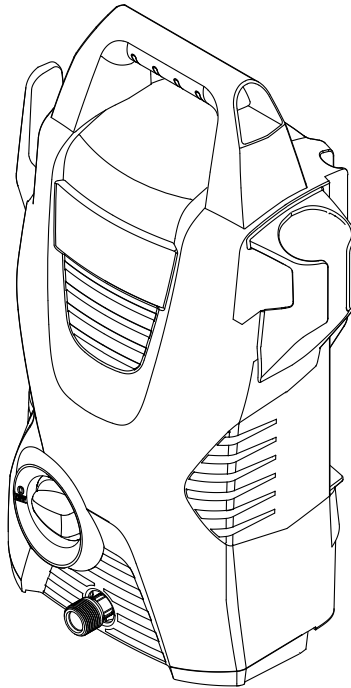
KÄRCHER

makes a difference

K 2 Compact

Operating Instructions

Please read the operating instructions carefully before using the unit.



59654380 (10/15)

Contents

Safety	3
Description of the Appliance	8
Scope of delivery	9
Proper use	9
Environmental protection	9
Assembly	9
Start up	9
Operation	9
Transport	10
Storage	10
Care and maintenance	10
Troubleshooting	11
Warranty	11
Helpline.	11
Technical specifications	12
EC Declaration of Conformity	12
Spare Parts.	13

Safety



Please read and comply with these original instructions prior to the initial operation of your appliance and store them for later use or subsequent owners.

Apart from the notes contained herein the general safety provisions and rules for the prevention of accidents of the legislator must be observed.

Warnings and notes that are attached on the appliance provide important notes for the safe operation.

Hazard levels

△ DANGER

Pointer to immediate danger, which leads to severe injuries or death.

△ WARNING

Pointer to a possibly dangerous situation, which can lead to severe injuries or death.

△ CAUTION

Pointer to a possibly dangerous situation, which can lead to minor injuries.

ATTENTION

Pointer to a possibly dangerous situation, which can lead to property damage.

Electric components

△ DANGER

Risk of electric shock.

- *Never touch the mains plug and the socket with wet hands.*
- *Check the power cord with mains plug for damage prior to every use. Immediately have damaged power cord replaced by an authorised customer service / electrician. Do not operate an appliance if the power cord is damaged.*
- *All current-conducting parts in the working area must be protected against jet water.*
- *The mains plug and the coupling of an extension cable must be watertight and must never lie in water. Moreover, the coupling may never lie on the ground. The use of cable reels that ensure that the sockets are at least 60 mm above the ground is recommended.*
- *Make sure that the power cord or extension cable is not damaged by running over, pinching, dragging or the like. Protect the power cords from heat, oil, and sharp edges.*
- *Turn off the appliance and remove the mains plug prior to any care and maintenance works.*
- *Repair work and work on the electrical components may only be performed by an authorised customer service.*

⚠ WARNING

- *The appliance may only be connected to an electric supply that has been installed by an electrician in accordance with IEC 60364.*
- *The appliance may only be connected to alternating current. The voltage must correspond with the type plate of the appliance.*
- *For safety reasons, we recommend that you operate the appliance only via a residual current device (max. 30 mA).*
- *An unsuitable electrical extension cable can be hazardous. Only use an electrical extension cable which has been approved and labelled for this purpose and has an adequate cable cross-section outdoors: 1 - 10 m: 1.5 mm²; 10 - 30 m: 2.5 mm²*
- *Always fully unreel the extension cable from the cable drum.*

Safe handling

⚠ DANGER

- *The user must use the appliance as intended. The person must consider the local conditions and must pay attention to other persons in the vicinity when working with the appliance.*
- *Check important components, such as high-pressure hose, hand spray gun and safety installations, for damage prior to every operation.*

Immediately replace damaged components. Do not operate appliance with damaged components.

- *High-pressure jets can be dangerous if improperly used. The jet may not be directed at persons, animals, live electrical equipment or at the appliance itself.*
- *The high-pressure jet must not be directed at other persons or the user him-/herself to clean clothing or footwear.*
- *Vehicle tyres/tyre valves are susceptible to damage from the high-pressure jet and may burst. The first indication for this is a discolouration of the tyre. Damaged vehicle tyres/tyre valves are perilous. Keep a minimum jet distance of 30 cm during cleaning!*

⚠ WARNING

- *Do not use the appliance when there are other persons around unless they are also wearing protective clothing.*
- *The appliance must not be operated by children or persons who have not been instructed accordingly.*
- *This appliance is not intended for use by persons with limited physical, sensory or mental capacities or lacking experience and/or skills, unless such persons are accompanied and supervised by a person in charge of their safety or they have received precise*

instructions on the use of this appliance and have understood the resulting risks.

- *Children must not play with this appliance.*
- *Supervise children to prevent them from playing with the appliance.*

△ CAUTION

- *Create stability for the appliance prior to any work on or with the appliance to prevent accidents or damage.*
- *The water jet that is emitted from the high-pressure nozzle results in a repulsion power acting on the hand spray gun. Make sure that you have a firm footing and are also holding the hand spray gun and spray lance firmly.*
- *Never leave the appliance unattended as long as it is in operation.*

ATTENTION

- *In case of extended breaks, switch the appliance off at the main switch / appliance switch or pull the mains plug.*
- *Do not operate the appliance at temperatures below 0 °C.*

Other risks

△ DANGER

- *The appliance may not be operated in explosive atmospheres.*
- *Never use the appliance to clean objects containing hazardous substances (e.g. asbestos).*
- *Do not spray flammable liquids.*
- *Never draw in fluids containing solvents or undiluted acids and solvents! This includes petrol, paint thinner and heating oil. The spray mist is highly inflammable, explosive and poisonous. Do not use acetone, undiluted acids and solvents, as they corrode the materials used on the appliance.*
- *Keep packaging films away from children, there is a risk of suffocation!*

△ WARNING

- *According to applicable regulations, the appliance must never be used on the drinking water net without a system separator. Ensure that the connection of your building water installation on which the high-pressure cleaner is operated is equipped with a system separator pursuant to EN 12729 Type BA.*
- *Water that has flown through a system separator is no longer classified as drinking water.*

- *High-pressure hoses, fixtures and couplings are important for the safety of the appliance. Only use high-pressure hoses, fixtures and couplings recommended by the manufacturer.*
- *When disconnecting the supply or high pressure hose, hot water may leak from the connections after operation.*

⚠ CAUTION

- *Mind the weight of the appliance when selecting the storage location and during transport (see technical data) to prevent accidents or injuries.*

High pressure hose

The high pressure hose is specially constructed with reinforced walls to handle water pressure up to 11 MPa (1600 psi) - it can be easily damaged and should be stored carefully.

- *Do not kink.*
- *Do not drive vehicles over the hose.*
- *Do not expose the hose to sharp edges or corners.*

Misuse will lead to ballooning or premature failure and will invalidate warranty.

Working with detergent

⚠ WARNING

- *This appliance was designed to be used with detergents which are supplied or recommended by the manufacturer. The use of other detergents or chemicals may compromise the safety of the appliance.*
- *The improper use of detergents can cause severe injuries or toxication.*
- *Store detergents away from the reach of children.*

Safety Devices

⚠ CAUTION

- *Safety installations serve the protection of the user and may not be modified or bypassed.*

Power switch

The appliance switch prevents unintentional operation of the appliance.

Lock trigger gun

This lock locks the lever of the trigger gun and prevents the inadvertent start of the appliance.

Overflow valve with pressure switch

If the lever on the trigger gun is released the pressure switch turns off the pump, the high pressure jet is stopped. If the lever is pulled the pump is turned on again.

Personal protective equipment

⚠ CAUTION

- *Wear protective clothing and safety goggles to protect against splash back containing water or dirt.*
- *During the use of high-pressure cleaners aerosols can develop. Inhaling aerosols can cause health damage.*
 - *Depending on the application, completely shielded nozzles (e.g. surface cleaner) that significantly reduce the emission of aqueous aerosols can be used for high-pressure cleaning.*
 - *The use of such shielding is not possible with all applications.*
 - *If the use of a completely shielded nozzle is not possible, a respirator of the category FFP 2 or the like should be used, depending on the environment to be cleaned.*

Symbols on the machine



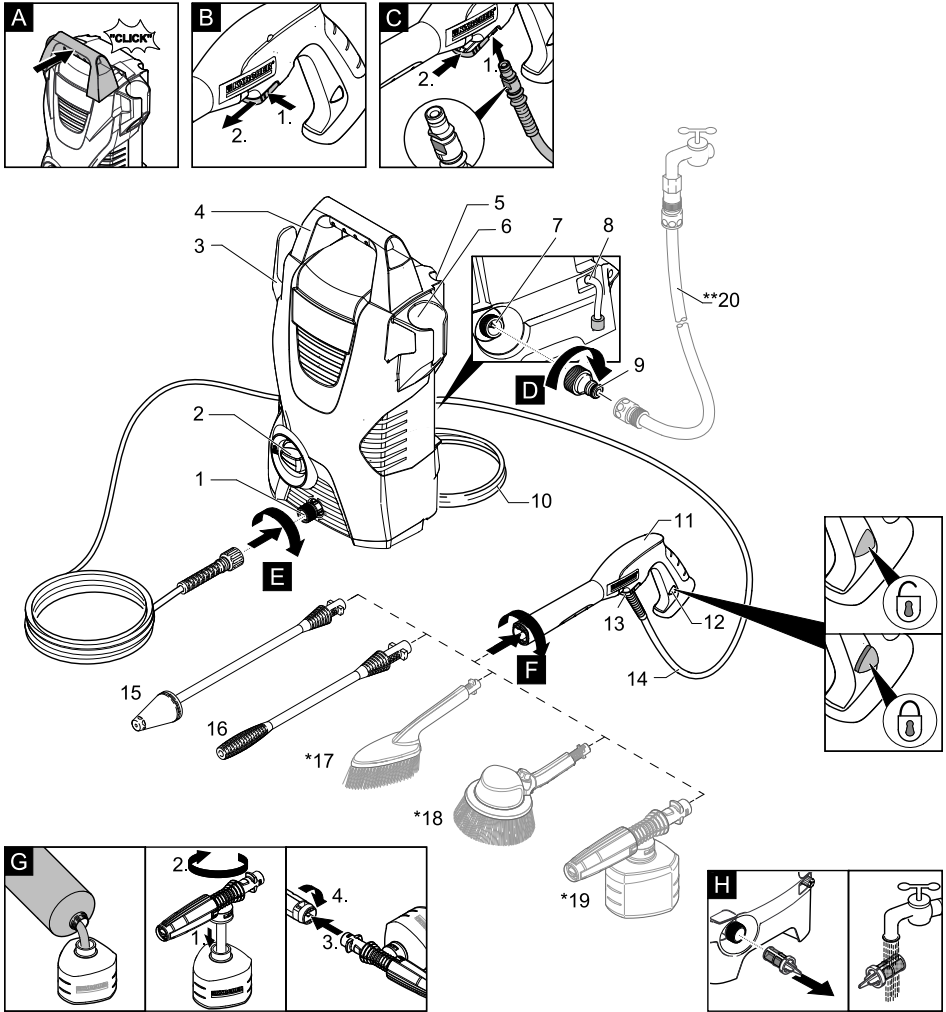
The high pressure jet must not be directed at persons, animals, live electrical equipment or at the appliance itself.
Gerät vor Frost schützen.



The appliance must not be directly connected to the public drinking water network.

Description of the Appliance

These operating instructions describe the maximum equipment. Depending on the model, there are differences in the scopes of delivery (see packaging).



- 1 High pressure connection
- 2 Appliance switch „0/OFF“ / „I/ON“
- 3 Storage hook for high pressure hose and mains connection cable
- 4 Carrying handle
- 5 Storage for spray lance
- 6 Storage for trigger gun
- 7 Water connection with integrated sieve
- 8 Detergent suction hose (with sieve)
- 9 Coupling element for water connection
- 10 Mains cable with mains plug
- 11 Trigger gun
- 12 Lock trigger gun
- 13 Clamp for high pressure hose

- 14 High pressure hose
- 15 Spray lance with Dirtblaster
For strong contaminations
- 16 Spray lance with high pressure nozzle
For normal cleaning tasks.

* Optional accessories

- 17 Washing brush
- 18 Rotary washing brush
Especially suitable for cleaning cars.
- 19 Foam nozzle with detergent container
With powerful foam for effortless cleaning.

** not included in the scope of delivery

- 20 Water supply hose

Scope of delivery

The scope of delivery of your appliance is illustrated on the packaging. Check the contents of the appliance for completeness when unpacking. In the event of missing accessories or any transport damage, please contact your dealer.

Additionally required

- Fabric-reinforced water hose with commercially available coupling.
- Minimum diameter, 1/2 inches (13 mm).
- Minimum length 7.5 m.

Proper use

This high pressure cleaner is designed for domestic use only.

- for cleaning machines, vehicles, buildings, tools, facades, terraces, gardening tools, etc. by means of a high-pressure water jet (if necessary, with additional cleaning agents).
- with accessories, replacement parts and cleaning agents approved by KÄRCHER. Please observe the information accompanying the cleaning agents.

Environmental protection

Notes about the ingredients (REACH)

You will find current information about the ingredients at:

www.kaercher.com/REACH



The packaging material can be recycled. Please arrange for the environmentally appropriate disposal of the packaging.



Old appliances contain valuable recyclable materials that should be recycled properly. Please arrange for the environmentally appropriate disposal of the old devices.



Cleaning operations which produce oily waste water, e.g. engine washes, underbody washes, may only be carried out using washing stations equipped with an oil separator.



Work with detergents must only be performed on liquid-tight work surfaces with a connection to the sewer system. Do not let release detergent into waters or earth.

Assembly

Mount loose parts delivered with appliance prior to start-up.

Illustrations on Page 8

Illustration **A**

- Attach the carrying handle.

Illustration **B**

- Pull out the clamp for the high pressure hose from the hand spray gun.

Illustration **C**

- Connect high pressure hose to trigger gun.
- Push the clamp in until it locks. Check the secure connection by pulling on the high-pressure hose.

Abbildung **D**

- Screw the coupling element to the water connection on the appliance.

Start up

- Park the appliance on an even surface.

Illustration **E**

- Connect the high pressure hose to the high pressure connection of the appliance.
- Insert the mains plug into the socket.

Water supply from mains

For connection values, see type plate/technical data. Observe regulations of water supplier.

ATTENTION

Impurities in the water can damage the high-pressure pump and the accessories. For protection, the use of the KÄRCHER water filter (optional accessory, order no. 4.730-059) is recommended.

- Attach the water supply hose to the coupling on the water connection.
- Connect the water supply hose to the water supply.
- Completely open the water tap.

Operation

⚠ CAUTION

Dry runs lasting longer than two minutes lead to damages to the high pressure pump. If the appliance does not build up pressure within two minutes, switch it off and proceed as instructed in the Chapter "Troubleshooting".

High pressure operation

⚠ CAUTION

Keep a distance of at least 30 cm when using the jet for cleaning painted surfaces to avoid damage.

ATTENTION

Car tyres, paint or sensitive surfaces such as wood should not be cleaned with the dirt blaster, as there is a risk of damage.

Illustration **F**

- Push the spray lance into the trigger gun and fasten it by turning it through 90°.
- Turn on the appliance "I/ON".
- Unlock the lever on the trigger gun.
- Pull on the lever of the trigger gun; the device will switch on.

Note: Release the lever of the trigger gun; the device will switch off again. High pressure remains in the system.

Operation with washing brush

ATTENTION

Risk of damage to the paintwork

When working with the washing brush, it must be free of dirt or other particles.

- Push the washing brush into the trigger gun and fasten it by a 90° turn.

Operation with detergent

Note: Detergent can only be added when the device is operated in low pressure mode.

⚠ DANGER

When using detergents, the material data safety sheet issued by the detergent manufacturer must be adhered to, especially the instructions regarding personal protective equipment.

- Pull detergent suction hose as far as is required out of the housing.
- Suspend end of detergent suction hose in a container filled with detergent.

- Detach spray lance from the trigger gun. Work only with the trigger gun.

Note: This will mix the detergent with the water stream.

Optional

- If required, the washing brushes can be used to work with detergent.

Optional

Illustration **C**

- Fill the detergent solution in the detergent tank of the foam nozzle (observe dosage instructions on the packaging of the detergent).

- Connect the detergent tank to the foam nozzle.

- Connect the foam nozzle to the trigger gun.

Note: This will mix the detergent with the water stream.

Recommended cleaning method

- Spray the detergent sparingly on the dry surface and allow it to react, but not to dry.

- Spray off loosened dirt with the high pressure jet.

Interrupting operation

- Release the lever on the trigger gun.

- Lock the lever on the trigger gun.

- Insert the trigger gun in its holder.

- During longer breaks (more than 5 minutes), also turn the appliance off using the "0/OFF" switch.

Finish operation

⚠ **CAUTION**

Only separate the high-pressure hose from the trigger gun or the appliance while there is no pressure in the system.

- After operation with detergent: Run the machine for approximately 1 minute for a clear rinse.

- Release the lever on the trigger gun.

- Turn off the appliance "0/OFF".

- Disconnect the mains plug from the socket.

- Turn off tap.

- Press the lever on the trigger gun to release any remaining pressure in the system.

- Lock the lever on the trigger gun.

- Detach the appliance from the water supply.

Transport

⚠ **CAUTION**

Risk of personal injury or damage!

Mind the weight of the appliance during transport.

When transporting by hand

- Lift appliance by the carrying handle and carry it.

When transporting in vehicles

- Secure the appliance against shifting and tipping over.

Storage

⚠ **CAUTION**

Risk of personal injury or damage!

Consider the weight of the appliance when storing it.

Storing the Appliance

- Park the machine on an even surface.

- Engage the spray lance in its compartment.

- Insert the trigger gun in its holder.

- Stow away the mains cable, the high-pressure hose and accessory on the appliance.

Frost protection

ATTENTION

Appliances and accessories that are not completely drained can be destroyed by frost. Completely drain appliance and accessories and protect them against frost. To avoid damage:

- Completely drain all water from the appliance: Switch the appliance on with detached high pressure hose and detached water supply (max. 1 minute) and wait, until no more water exits at the high pressure connection. Turn off the appliance.
- Store the appliance and the entire accessories in a frost free room.

Prior to extended storage periods, as during the winter, also observe the instructions in the Care section.

Care and maintenance

⚠ **DANGER**

Risk of electric shock.

Prior to all work on the appliance, switch off the appliance and pull the power plug.

Care

Clean the sieve in the water connection

Clean the sieve in the water connection regularly.

ATTENTION

The sieve must not be damaged.

- Remove coupling from the water connection.

Illustration **H**

- Pull the sieve out using flat pliers.

- Clean the sieve under running water.

- Reinsert the sieve into the water connection.

Cleaning the detergent filter

- Remove filter from suction hose for detergent and clean under running water.

Maintenance

The appliance is maintenance free.

Troubleshooting

You can rectify minor faults yourself with the help of the following overview.

If in doubt, please consult the authorized customer service.

⚠ DANGER

Risk of electric shock.

→ *Prior to all work on the appliance, switch off the appliance and pull the power plug.*

Appliance is not running

- Pull on the lever of the trigger gun; the device will switch on.
- Check whether the voltage indicated on the type plate corresponds to the voltage of the mains supply.
- Check the mains connection cable for damages.

Pressure does not build up in the appliance

- Appliance ventilation: Switch the appliance on with the high-pressure hose detached and operate (max. 2 minutes) until the water exits the high-pressure connection without bubbles. Switch off appliance and reconnect high-pressure hose.
- Check the water supply.
- Pull out the sieve in the water connection using flat-nose pliers and clean under running water.

Strong pressure fluctuations

- Clean high-pressure nozzle: Remove dirt and debris from the nozzle bore, using a needle and rinse through with water from the front.
- Check water flow quantity.

Appliance is leaking

- Slight leakage from the appliance pump is normal. If the leakage increases contact the authorized customer service.

No detergent infeed

- Detach spray lance from the trigger gun. Work only with the trigger gun.
- Clean the detergent suction hose filter.
- Check the detergent suction hose for kinks.

Warranty

The warranty terms published by the relevant sales company are applicable in each country. We will repair potential failures of your appliance within the warranty period free of charge, provided that such failure is caused by faulty material or defects in manufacturing. In the event of a warranty claim please contact your dealer or the nearest authorized Customer Service centre. Please submit the proof of purchase.

Addresses can be found under:

www.kaercher.com/dealersearch

Helpline

KÄRCHER UK Limited operates a helpline allowing customers to discuss any problems experienced with our products.

The helpline operates during normal business hours and may be busy at peak periods. If you have difficulty getting through we would ask that you try to contact us again later in the day.

The helpline number is 01295 752200, open from 8.30 am to 5.00 pm Monday to Friday.

It helps us if you have the model number and data plate details to hand before making your call so that we can assist you with your query more effectively.


Alternatively you may write to us at the address below:

KÄRCHER UK Ltd
Kärcher House
Beaumont Road
Banbury
Oxon, OX16 1TB

or E-mail us:
info@karcher.co.uk

Technical specifications

Electrical connection

Voltage	220-240 V 1~50-60 Hz
Power consumption	6 A
Protection class	IP X5
Protective class	II 
Mains fuse (slow-blow)	13 A

Water connection

Max. feed pressure	1,2 MPa
Max. feed temperature	40 °C
Min. feed volume	8 l/min

Performance data

Working pressure	8 MPa
Max. permissible pressure	11 MPa
Water flow rate	5,2 l/min
Max. flow rate	6,0 l/min
Detergent flow rate	0,3 l/min
Recoil force of trigger gun	10 N

Dimensions and weights

Length	280 mm
Width	176 mm
Height	443 mm
Weight, ready to operate with accessories	4,7 kg

Values determined as per EN 60335-2-79

Hand-arm vibration value	<2,5 m/s ²
Unsicherheit K	0,3 m/s ²
Schalldruckpegel L _{pA}	75 dB(A)
Uncertainty K _{pA}	3 dB(A)
Sound power level L _{WA} +	91 dB(A)
Uncertainty K _{WA}	

Subject to technical changes.

EC Declaration of Conformity

We hereby declare that the machine described below complies with the relevant basic safety and health requirements of the EU Directives, both in its basic design and construction as well as in the version put into circulation by us. This declaration shall cease to be valid if the machine is modified without our prior approval.

Product: High pressure cleaner
Type: 1.673-xxx

Relevant EU Directives

2006/42/EC (+2009/127/EC)
2004/108/EC
2000/14/EC
2011/65/EU

Applied harmonized standards

EN 50581
EN 55014-1: 2006+A1: 2009+A2: 2011
EN 55014-2: 1997+A1: 2001+A2: 2008
EN 60335-1
EN 60335-2-79
EN 61000-3-2: 2006+A1: 2009+A2: 2009
EN 61000-3-3: 2013
EN 62233: 2008

Applied conformity evaluation method


2000/14/EC: Appendix V

Sound power level dB(A)

Measured: 89
Guaranteed: 91

The undersigned act on behalf and under the power of attorney of the company management.


H. Jenner
CEO


S. Reiser
Head of Approval

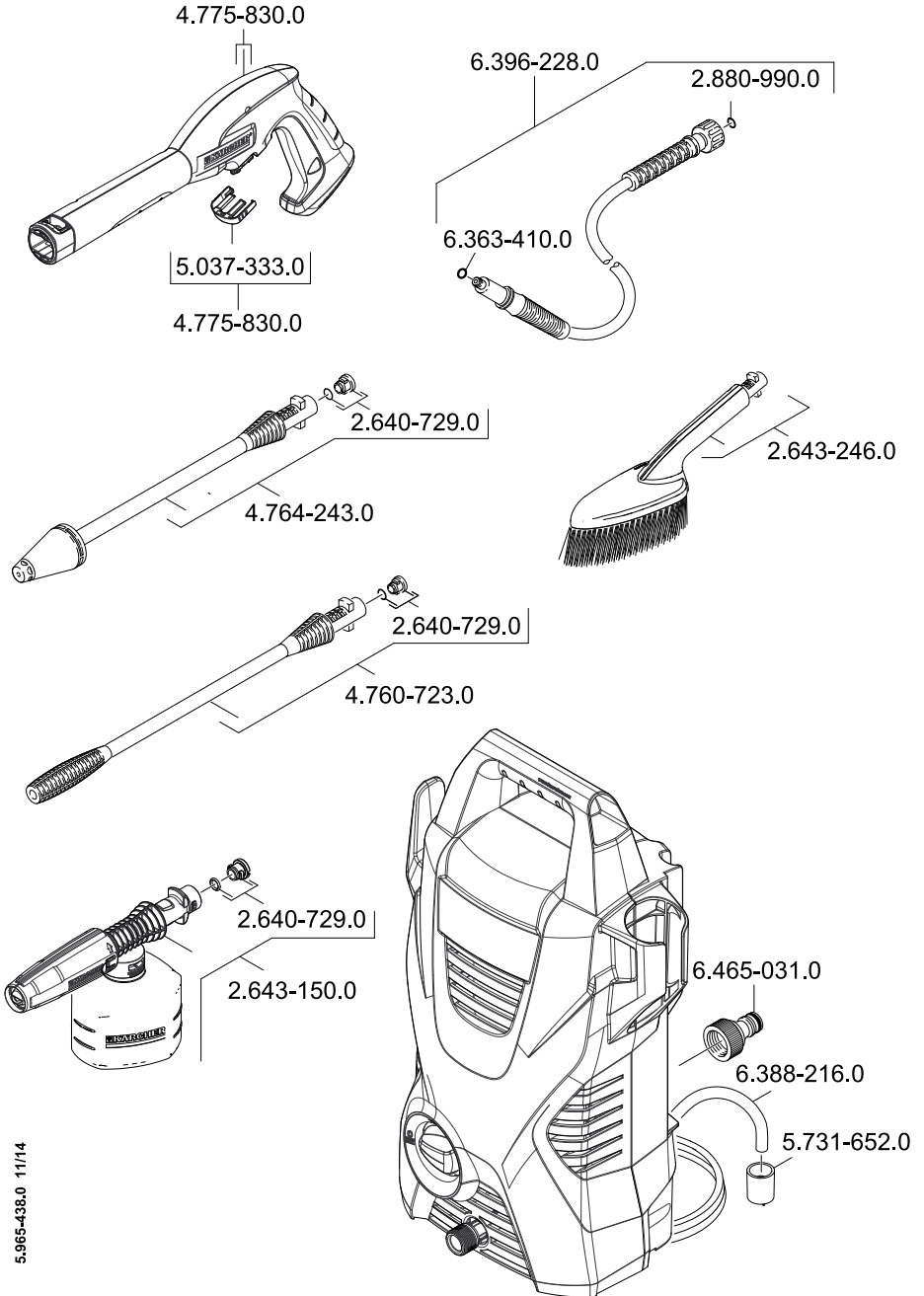
Authorised Documentation Representative
S. Reiser

Alfred Kärcher GmbH Co. KG
Alfred-Kärcher-Str. 28 - 40
71364 Winnenden (Germany)
Phone: +49 7195 14-0
Fax: +49 7195 14-2212

Winnenden, 2014/11/01

Spare Parts

Use only original KÄRCHER spare parts.





<http://www.kaercher.com/dealersearch>



البيانات الفنية

التوصيل الكهربائي		
V	240-220	الجهد الكهربائي
Hz	60/50~1	
أ	6	استهلاك التيار الكهربائي
	IP X5	درجة الحماية
□	II	فئة الحماية
أ	13	منصهرات التغذية الكهربائية الرئيسية (الوضع الساكن)
وصلة المياه		
ميغا باسكال	1,2-0,2	ضغط الإمداد
درجة مئوية	40	درجة حرارة التدفق (الحد الأقصى)
لتر/دقيقة	7	كمية التدفق (الحد الأدنى)
بيانات القدرة		
ميغا باسكال	8	ضغط العمل
ميغا باسكال	11	أقصى ضغط مسموح به
لتر/دقيقة	5,2	كمية تدفق المياه
لتر/دقيقة	0,3	كمية تدفق مواد التنظيف
نيوتن	11	قوة ارتداد مسدس الرش اليدوي
المقاييس والأوزان		
مم	280	الطول
مم	176	العرض
مم	443	الارتفاع
كجم	4,7	الوزن والجهاز جاهز للعمل مع الملحقات التكميلية
القيم المحتملة طبقاً للمواصفة 79-2-EN 60335		
م/ث ²	2,5>	قيمة اهتزاز ذراع اليد
م/ث ²	0,3	الشك K
ديسيبل (أ)	75	مستوى ضغط الصوت p _A L
ديسيبل (أ)	3	الشك p _A K
ديسيبل (أ)	91	مستوى قدرة الصوت w _A L + الشك w _A K

جميع حقوق إدخال تعديلات فنية محفوظة!

تذبذب الضغط بقوة

- تنظيف منفث الضغط العالي: يتم إزالة القاذورات من فتحة المنفث باستخدام إبرة وتُغسل الفتحة بالماء بحيث يكون الغسل من الناحية الأمامية.
- يتم التحقق من كمية تدفق الماء.

التسرب من الجهاز

- إن حدوث تسرب طفيف من الجهاز يعد أمراً حتمياً من الناحية الفنية. في حالة زيادة نسبة التسرب عن ذلك يلزم الرجوع إلى خدمة العملاء المعتمدة.

لا يتم شفط مواد التنظيف.

- أفضل أنبوب الشعاع عن مسدس الرش اليدوي ولا تعمل إلا باستخدام مسدس الرش اليدوي أو استخدام أنبوب الشعاع مع منظم الضغط ولفه إلى أن يصل لوضع "الحد الأقصى" / Mix.
- يتم تنظيف الفلتر الموجود بخرطوم شفط مواد التنظيف.
- يجب التحقق من مواضع التعقد والاتواء بخرطوم شفط مواد التنظيف.

المساعدة عند حدوث أعطال

يمكنك إصلاح الأعطال البسيطة بنفسك مع الاستعانة بالعرض العام التالي.
في حالة الشك في وجود عطل برجاء التوجه إلى خدمة العملاء المعتمدة.



يجب غلق الجهاز وسحب القابس الكهربائي في كل مرة قبل القيام بأعمال العناية والصيانة.

غير مسموح بإجراء الإصلاحات واستخدام المكونات الكهربائية بالجهاز إلا لمركز خدمة العملاء المعتمد.

الجهاز لا يعمل

- اجذب ذراع مسدس الرش اليدوي، فيتم تشغيل الجهاز.
- تحقق من تطابق الجهد المدون على لوحة الصنع مع جهد مصدر التيار.
- يجب التحقق من عدم وجود تلفيات بوصلة سلك التوصيل الرئيسي.

الجهاز لا يصدر أي ضغط.

- تصريف الهواء من الجهاز: قم بتشغيل الجهاز بدون توصيل خرطوم الضغط العالي وانتظر (دقيقتين كحد أقصى)، حتى تخرج المياه من وصلة الضغط العالي خالية من الفقاعات الهوائية. قم بإيقاف الجهاز وتوصيل خرطوم الضغط العالي مرة أخرى.
- تحقق من مصدر الإمداد بالماء.
- اسحب المصفاة الموجودة بوصلة الماء للخارج باستخدام زردية مفلطحة ونظفها بالماء الجاري

الإمداد بالماء (لمدة دقيقة بحد أقصى) ثم انتظر حتى يتوقف خروج الماء تماما من وصلة الضغط العالي. قم بإيقاف تشغيل الجهاز.

- يتم حفظ الجهاز وملحقاته كاملة في مكان ضد التجمد.

العناية والصيانة



يجب غلق الجهاز وسحب القابس الكهربائي في كل مرة قبل القيام بأعمال العناية والصيانة.

الصيانة

الجهاز لا يتطلب صيانة.

العناية

- قبل التخزين لفترات طويلة، على سبيل المثال في فصل الشتاء:
- اسحب الفلتر من خرطوم شفط مواد التنظيف ونظفه تحت الماء الجاري.
 - اسحب المصفاة الموجودة بوصلة الماء للخارج باستخدام زردية مفلطحة ونظفها بالماء الجاري

قطع الغيار

لا تستخدم سوى قطع الغيار الأصلية من KARCHER. ستجد في نهاية دليل التشغيل هذا نظرة عامة على قطع الغيار.

ملحقات خاصة

تزيد الملحقات الخاصة من إمكانيات استخدام جهازك. يمكنك الحصول على مزيد من المعلومات بهذا الصدد لدى وكيل KARCHER لديك.

النقل اليدوي

- ارفع الجهاز من مقبض الحمل واحمله.

النقل في سيارات

- قم بتأمين الجهاز ضد الانزلاق والانقلاب.

التخزين



احترس

لتجنب وقوع حوادث أو إصابات يجب مراعاة وزن الجهاز عند اختيار مكان التخزين (انظر البيانات الفنية).

تخزين الجهاز

قبل تخزين الجهاز لفترة طويلة، في الشتاء مثلاً، يجب أيضاً مراعاة الإرشادات الواردة في فصل العناية.

- قم بإيقاف الجهاز على أرضية مستوية.
- احتفظ بأنبوب الشعاع في مكان حفظ أنبوب الشعاع.
- يتم إدخال مسدس الرش اليدوي في مكان الحفظ الخاص به.
- قم بتخزين وصلة سلك التوصيل الرئيسي وخرطوم الضغط العالي والملحقات بالجهاز.

الحماية من التجمد



احترس

يجب حماية الجهاز والملحقات من التجمد.

يتلف الجهاز والملحقات تحت تأثير التجمد في حالة عدم تفريغ الماء تماماً من أي منهما. من أجل تجنب حدوث أي تلفيات:

- قم بتفريغ الجهاز دائماً من المياه: قم بتشغيل الجهاز بدون توصيل خرطوم الضغط العالي وبدون توصيل مصدر

ملحوظة: وهكذا يُضاف محلول مواد التنظيف إلى شعاع الماء عند التشغيل.

قطع التشغيل

- قم بتحريك ذراع مسدس الرش اليدوي.
- صورة إيضاحية
- أحكم إغلاق ذراع مسدس الرش اليدوي.
- ومع زيادة طول فترات توقف العمل (أكثر من 5 دقائق) يتم إيقاف تشغيل الجهاز من مفتاح الجهاز „0/“ OFF
- يتم إدخال مسدس الرش اليدوي في مكان الحفظ الخاص به.

إنهاء التشغيل



احترس

لا يتم فصل خرطوم الضغط العالي إلا من مسدس الرش اليدوي أو من الجهاز إلا في حالة عدم توفر الضغط بالنظام.

- بعد العمل باستخدام مواد التنظيف: قم بتشغيل الجهاز لمدة حوالي دقيقة لغسله.
- قم بتحريك ذراع مسدس الرش اليدوي.
- قم بإيقاف تشغيل الجهاز بالضغط على „0/“ OFF
- أغلق صنبور المياه
- يتم ضغط ذراع مسدس الرش اليدوي للتخلص من الضغط المتبقي في النظام.
- افصل الجهاز عن مصدر الإمداد بالمياه.
- صورة إيضاحية
- أحكم إغلاق ذراع مسدس الرش اليدوي.
- اسحب السلك الكهربائي.

النقل



احترس

لتجنب وقوع حوادث أو إصابات يجب مراعاة وزن الجهاز عند نقله (انظر البيانات الفنية).

التشغيل



بتأثير شعاع الماء الخارج بمنفت الضغط العالي تؤثر قوة ارتدادية على مسدس الرش اليدوي. يجب الحرص على الوقوف الآمن وإحكام تثبيت مسدس الرش اليدوي وأنبوب الشعاع.

صورة إيضاحية

- قم بتحريك ذراع مسدس الرش اليدوي.
 - اسحب الذراع، فيتم تشغيل الجهاز.
- ملحوظة:** عند تحرير الذراع مجدداً يتوقف الجهاز مرة أخرى. وبظل الضغط العالي متوفراً في النظام.

الأنبوب النفاث مع منفت الضغط العالي

لمهام التنظيف العادية.

صالح للعمل باستخدام مواد التنظيف.

أنبوب الشعاع مع مزيل القاذورات

للتخلص من القاذورات المستعصية.

صالح للعمل باستخدام مواد التنظيف.



لا تقم بتنظيف إطارات السيارات أو الطلاء أو الأسطح الحساسة مثل الخشب باستخدام أداة طحن الاتساخات، خطر التعرض للضرر.

فرشاة الغسل

صالحة للعمل باستخدام مواد التنظيف.

فرشاة تنظيف دوارة

صالحة للعمل باستخدام مواد التنظيف.

فرشاة التنظيف الدوارة صالحة للتنظيف الآلي

على وجه الخصوص.



أثناء العمل يجب أن تكون فرشاة الغسل خالية من الاتساخات أو أية جزيئات أخرى، خطر تعرض الطلاء للضرر.

استخدام مواد التنظيف

لا تستخدم إلا مواد العناية والتنظيف التي تنتجها شركة KARCHER من أجل القيام بعملية التنظيف، نظراً لأن هذه المواد مصممة خصيصاً للاستخدام مع هذا الجهاز. قد يؤدي استخدام أية مواد عناية وتنظيف أخرى إلى تلف الجهاز سريعاً وسقوط الحق في الضمان.

برجاء إخطار المتجر المتخصص بذلك أو طلب الحصول على كافة المعلومات ذات الصلة من شركة KARCHER مباشرة.

• اسحب خرطوم شفط مادة التنظيف من جسم الجهاز بالطول المرغوب.

• قم بتعليق خرطوم شفط مادة التنظيف في وعاء محلول مادة التنظيف.

• أفضل الأنابيب النفاث من مسدس الرش اليدوي. لا تقم بالعمل إلا باستخدام مسدس الرش اليدوي.

ملحوظة: وهكذا يضاف محلول مواد التنظيف إلى شعاع الماء عند التشغيل.

طرق التنظيف الموصى بها

• يتم رش مواد التنظيف بحرص على الأسطح الجافة وتترك لتقوم بمفعولها (ليس لتجف).

• تُغسل الأوساخ المتفككة بشعاع الضغط العالي.

اختياري

فوهة الرغوة

يتم سحب مادة التنظيف من الخزان وتنشأ رغوة شديدة لمادة التنظيف.

صورة إيضاحية

• املاً خزان مادة التنظيف بفوهة الرغوة بمحلول مادة التنظيف (يجب الالتزام ببيانات كمية التعبئة الموجودة على وعاء مواد التنظيف).

• اربط فوهة الرغوة بخزان مادة التنظيف.

• قم بإدخال فوهة الرغوة في مسدس الرش اليدوي وثبتها بلفها بزاوية قدرها

الاستخدام

قبل التشغيل

- قبل بدء التشغيل يتم تثبيت الأجزاء المفكوكة المرفقة مع الجهاز.
صورة إيضاحية A
- قم بتثبيت مقبض النقل/ مقبض الحمل
صورة B
- اخلع مشبك خرطوم الضغط العالي من مسدس الرش اليدوي (باستخدام مفك صغير مثلاً).
صورة C

- أدخل خرطوم الضغط العالي في مسدس الرش اليدوي.
- اضغط المشبك إلى الداخل إلى أن يثبت. افحص التوصيل الآمن من خلال جذب خرطوم الضغط العالي.
- يجب تثبيت قطعة التقارن المصاحبة في وصلة الماء الموجودة بالجهاز.

الإمداد بالمياه



وفقاً للقواعد السارية يُحظر تشغيل الجهاز مطلقاً بدون وجود فاصل النظام بشبكة مياه الشرب. يجب استخدام فاصل النظام الملائم الذي تنتجه شركة KÄRCHER أو بدلا منه يُستخدم فاصل نظام وفقاً للمعيار EN 12729 من الفئة BA. بالنسبة للمياه التي تتساب عن طريق فاصل النظام، لا يتم تصنيفها بأنها مياه صالحة للشرب.

ملحوظة: قد تضر الملوثات الموجودة في المياه بمضخة الضغط العالي والملحقات. وللوقاية منها يُنصح باستخدام مرشح مياه Kärcher (ملحق خاص، رقم الطلب 4.730059).

الإمداد بالماء من وصلة الماء

يجب مراعاة القواعد الخاصة بشركة الإمداد بالماء.

قيم التوصيل - انظر لوحة الصنع/البيانات الفنية.

- استخدم خرطوم ماء مُعزز النسيج (ليس ضمن المحتويات التي يتم تسليمها) مع قارئة متداولة في الأسواق. (لا يقل القطر عن 2/1 بوصة أو 13 ملم، ولا يقل الطول عن 7.5 م).
- قم بإدخال خرطوم الماء بقطعة التقارن الموجودة بالجهاز وتوصيله بصنبور الإمداد بالماء.

التشغيل

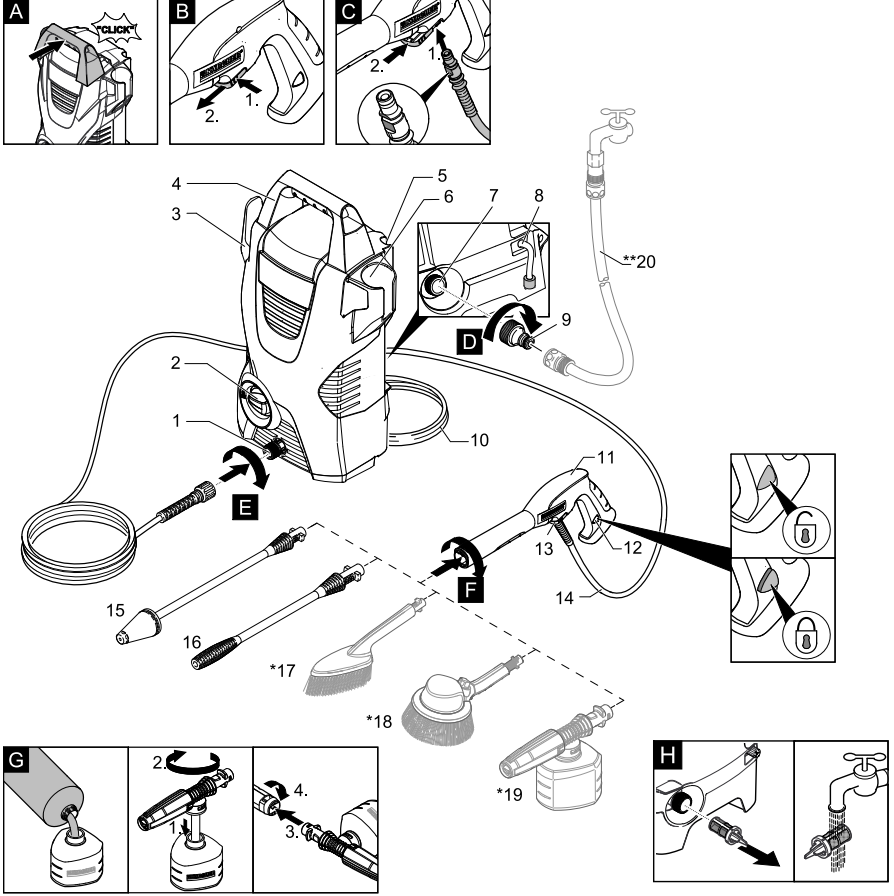


تؤدي دورة التجفيف التي تزيد على دقيقتين إلى حدوث أضرار بمضخة الضغط العالي. إذا لم يتمكن الجهاز من إنشاء أي ضغط في غضون دقيقتين، فقم بإيقاف الجهاز وتصرّف حسب الإرشادات الواردة في فصل «المساعدة في حالة حدوث اختلالات».

صورة D

- اربط خرطوم الضغط العالي بوصلة الضغط العالي الخاصة بالجهاز.
- يتم إدخال أنبوب الشعاع المطلوب في مسدس الرش اليدوي ويثبت بلفه بزاوية قدرها 90°.
- قم بفتح صنبور المياه باستمرار.
- أدخل القابس في المقبس.
- قم بتشغيل الجهاز بالنقر على المفتاح I/ON.

وصف الجهاز



- يتم وصف كافة التجهيزات المتوفرة في دليل التشغيل هذا. توجد بعض الاختلافات وفقاً لنوع الموديل (انظر العبوة)
1. وصلة الضغط العالي
 2. مفتاح الجهاز "تشغيل/ إيقاف"
 3. خطافات لحفظ خرطوم الضغط العالي وسلك التوصيل الرئيسي
 4. مقبض
 5. مكان حفظ الأنبوب النفاث
 6. مكان حفظ مسدس الرش اليدوي
 7. وصلة ماء مزودة بمصفاة مركبة
 8. خرطوم شفط مادة التنظيف (مزود بفتلى)
 9. قارنة لوصلة الماء
 10. وصلة سلك التوصيل الرئيسي والقباس الكهربائي
 11. مسدس الرش اليدوي
 12. صمام غلق مسدس الرش اليدوي
 13. مشبك لخرطوم الضغط العالي
 14. خرطوم الضغط العالي
 15. أنبوب الشعاع مع مزبل القاذورات
 16. الأنبوب النفاث مع منفث الضغط العالي
 17. فرشاة الغسل
 18. فرشاة تنظيف دوارة
 19. فوهة الرغوة المزودة بخزان مادة التنظيف

الرموز الموجودة على الجهاز

يجب عدم توجيه شعاع الضغط العالي على الأشخاص أو الحيوانات أو الأجهزة الكهربائية المفعلة أو حتى على الجهاز نفسه. احرص على حماية الجهاز من التجمد.



لا يجب أن يتم توصيل الجهاز بشبكة مياه الشرب العمومية بشكل مباشر.



حماية البيئة

مواد التغليف قابلة للتدوير وإعادة الاستخدام. يرجى عدم التخلص من العبوة في سلة القمامة المنزلية ولكن عليك بتقديمها للجهات المختصة بإعادة تدوير القمامة.



تحتوي الأجهزة القديمة على مواد قيمة قابلة لإعادة التدوير والاستخدام والتي يجب الاستفادة منها. لذا، قم بالتخلص من الأجهزة القديمة بما يتوافق مع نظم التجميع المناسبة.



الضمان

في كل دولة تسري شروط الضمان التي تضعها شركة التسويق المختصة التابعة لنا. نحن نتولى تصليح الأعطال التي قد تطرأ على جهازك بدون مقابل خلال فترة الضمان طالما أن السبب في هذه الأعطال ناجم عن وجود عيب في المواد أو في الصنع. في حال استحقاق الضمان، يرجى التوجه بقسيمة الشراء إلى أقرب موزع أو مركز خدمة عملاء معتمد.

الاستخدام المطابق للتعليمات

- لا يُستخدم هذا المنظف الذي يعمل بالضغط العالي إلا للأعمال المنزلية الخاصة فقط:
- لتنظيف الأجهزة والسيارات والمباني والعدد والواجهات والشرفات ومعدات الحدائق وغيرها وذلك باستخدام شعاع ماء يعمل بالضغط العالي (يمكن إضافة وسائل تنظيف إذا لزم الأمر).
- مع الملحقات وقطع الغيار ومواد التنظيف المصرح بها من قبل شركة KARCHER. يجب الالتزام بالإرشادات المرفقة بمواد التنظيف.

أهمية الارشادات



الانتباه إلى المخاطر المباشرة وشبكة الحدوث التي قد تؤدي إلى إصابات جسدية بالغة أو تتسبب في الوفاة.



الانتباه إلى مواقف قد تحفها المخاطر وقد تؤدي إلى إصابات جسدية بالغة أو تتسبب في الوفاة.



الانتباه إلى الموقف الخطير المحتمل والذي قد يؤدي إلى إصابات بسيطة.

انتبه!

الانتباه إلى الموقف الخطير المحتمل والذي قد يؤدي إلى أضرار مادية.

إرشادات السلامة



احترس

تعمل تجهيزات الأمان على حماية المستخدم وغير مسموح بإدخال تعديلات عليها أو الاستغناء عن وظائفها.

مفتاح تشغيل الجهاز

يعمل مفتاح تشغيل الجهاز على الحيلولة دون التشغيل غير المتعمد للجهاز.



احترس

قبل إجراء أية أعمال على الجهاز أو باستخدامه احرص على توفير الثبات للجهاز للحيلولة دون تعرضه للحوادث أو الإصابات. يتم ضمان ثبات الجهاز عند وضعه على أرضية مستوية.

صمام غلق مسدس الرش اليدوي

يقوم صمام الغلق بحجز ذراع مسدس الرش اليدوي ويحول دون بدء تشغيل الجهاز بشكل غير متعمد.

صمام التيار الزائد المزود بمفتاح الضغط

في حالة تحرير الذراع بمسدس الرش اليدوي، يقوم مفتاح الضغط بإغلاق المضخة التي تعمل على إيقاف شعاع الضغط العالي. وعند سحب الذراع، تعمل المضخة مرة أخرى.

معدات الحماية الشخصية



احترس

يتم ارتداء ملابس ونظارات واقية مناسبة للحماية من المياه والقذورات التي تترد متناثرة.

يمكن أن ينشأ الغبار أثناء استخدام جهاز التنظيف ذي الضغط العالي. وقد يتسبب استنشاق الغبار في حدوث أضرار صحية لاحقاً.

وفقاً للاستخدام يمكن استخدام المنفثات المحمية بشكل كامل (كمنظفات الأسطح على سبيل المثال) للتنظيف بالضغط العالي والتي

تقلل بشكل واضح انبعاثات الهباء الجوي المعبأ بالماء.

واستخدام تجهيزة الحماية هذه غير ممكن في جميع الاستخدامات.

وفي حالة ما لم يكن استخدام المنفث المحمي بشكل كامل ممكناً ينبغي استخدام قناع تنفس واق من الفئة (FFP 2) أو ما يماثلها وفقاً للبيئة المراد تنظيفها.

شروط ثبات الجهاز

إرشادات عامة

عزيزي العميل

يرجى قراءة دليل التشغيل الأصلي لهذا قبل أول استخدام لجهازكم، ثم التعامل مع الجهاز وفقاً للتعليمات الواردة بهذا الدليل. كما يرجى الاحتفاظ بدليل التشغيل لأي استخدامات أخرى فيما بعد أو في حالة تسليم الجهاز لمستخدمين آخرين.

المحتويات التي يتم تسليمها

توجد على العلبة صورة لمشمطات الجهاز التي يتم تسليمها. تأكد عند فتح الصندوق من وجود كافة المحتويات.

وفي حالة نقص أية ملحقات أو اكتشاف أي تلف بها بسبب النقل يرجى إخطار البائع.



وفقاً للقواعد السارية يُحظر تشغيل الجهاز مطلقاً بدون وجود فاصل النظام بشبكة مياه الشرب. تأكد من أن وصلة مرفق المياه الخاص بمنزلك والذي يتم تشغيل منظم الضغط العالي عليها مجهزة بفاصل نظام وفقاً للمعايير الأوروبية (EN 12729 Typ BA).

المياه التي تتساقط عن طريق فاصل النظام لا تعد مياه صالحة للشرب.
خرائط الضغط العالي والتراكيبات والقارنات ضرورية لأمان الجهاز. يقتصر الاستخدام على خرائط الضغط العالي والتراكيبات والقارنات التي تتصح بها الشركة المنتجة.
عند فصل خرطوم التغذية أو خرطوم الضغط العالي قد يخرج ماء ساخن من الوصلات بعد التشغيل.



احرص على مراعاة وزن الجهاز (انظر البيانات التقنية) لتجنب وقوع حوادث أو إصابات عند اختيار مكان التخزين.

استخدام مواد التنظيف



لقد تم تطوير هذا الجهاز لاستخدام مواد التنظيف التي تنتجها الشركة المنتجة أو تتصح باستخدامها. كما أن استخدام أنواع أخرى من مواد التنظيف أو الكيماويات قد يضر بسلامة الجهاز.
الاستخدام الخاطئ لمواد التنظيف يمكن أن يؤدي إلى حدوث إصابات بالغة أو حالات تسمم.
يجب حفظ مادة التنظيف بعيداً عن متناول الأطفال.

ويتأثر شعاع الماء الخارج بمنفذ الضغط العالي تؤثر قوة ارتدادية على مسدس الرش اليدوي. يجب العناية بتوفير وقوف آمن وإحكام تثبيت مسدس الرش اليدوي وأنبوب الشعاع.
يجب عليك دائماً مراقبة الجهاز طالما كان الجهاز قيد التشغيل.

انتبه!

في حالة توقف التشغيل لفترات طويلة احرص على إيقاف الجهاز عن طريق المفتاح الرئيسي / مفتاح الأجهزة وقم بخلع قابس التيار من الشبكة الكهربائية.
لا يجب تشغيل الجهاز في درجات حرارة تحت الصفر.

مخاطر أخرى



يُحظر نهائياً تشغيل الجهاز في الأماكن القابلة للانفجار.
لا يتم الرش لتنظيف الأشياء التي تحتوي على مواد تمثل خطورة على الصحة (مثل الأسبستوس).
لا تستخدم سوائل قابلة للاشتعال في عملية الرش.
لا يتم نهائياً شطف سوائل تحتوي على مواد مذيبة أو أحماض غير مخففة! ومنها على سبيل المثال البنزين أو مخففات الألوان أو الزيوت الساخنة. يعد ضباب الرشاش مادة ذات قابلية عالية للاشتعال ومتفجرة وسامة. لا يتم استعمال الأسيتون والأحماض غير المخففة والمواد المذيبة لأنها تضر الخامات المستخدمة في صنع الجهاز.
احفظ رقائق التغليف بعيداً عن متناول الأطفال، خطر الاختناق!



تحذير

غير مسموح بتوصيل الجهاز بأي دائرة كهربائية سوى تلك التي يقوم بتركيبها كهربائي مختص ويكون ذلك وفقاً للمعيار IEC 60364.

لا يتم توصيل الجهاز إلا بتيار متردد فقط. يجب أن يتطابق الجهد مع ما هو مدون على لوحة صنع الجهاز.

فئة الحماية 1 - يحظر توصيل الأجهزة إلا بمصادر طاقة كهربائية تم تأريضها بصورة صحيحة.

لأسباب أمنية ننصح بشكل أساسي بتشغيل الجهاز عبر مفتاح قطع الدائرة الكهربائية لتيار الخلل (يحد أقصى 30 ملي أمبير).

من الممكن أن تشكل أسلاك التمديد

الكهربية غير الملائمة خطورة. في المناطق المفتوحة لا تستخدم إلا أسلاك التمديد الملائمة والمسموح بها لهذا الغرض على أن يكون المقطع العرضي للسلك كافيًا:

10 - 1 m: 1,5 mm²

30 - 10 m: 2,5 mm²

يُفك دائماً سلك التمديد من بكرة الكابل بالكامل.

التعامل الآمن



خطر

يجب على المستخدم استعمال الجهاز وفقاً للتعليمات. وأن يأخذ في اعتباره الظروف المكانية المحيطة ويحرص على سلامة الأشخاص المتواجدين في المكان عند العمل باستخدام الجهاز.

تحقق دائماً وقبل كل استخدام من المكونات الهامة، مثل خرطوم الضغط العالي، ومسدس الرش اليدوي وتجهيزات الأمان. يتم استبدال المكونات التالفة على الفور. لا تقم بتشغيل الجهاز بواسطة مكونات تالفة.

أشعة الضغط العالي قد تكون خطيرة في حالة استخدامها بشكل خاطئ أو غير ملائم. يجب عدم توجيه الشعاع على الأشخاص أو الحيوانات أو الأجهزة الكهربائية النشطة أو حتى على الجهاز نفسه.

لا توجه شعاع الضغط العالي على نفسك أو الآخرين بهدف تنظيف الملابس أو الأحذية.

قد تتعرض إطارات السيارات/صمامات

الإطارات للتلف والانفجار من تأثير شعاع

الضغط العالي. وتوضح أول علامة على

حدوث ذلك في تغيير لون الإطارات. وتشكل

إطارات السيارات وصمامات الإطارات التالفة

خطورة على حياة الأفراد. يُراعى عند التنظيف

ألا تقل المسافة بين الشعاع والجسم الذي

يتم تنظيفه عن 30 سم!



تحذير

لا يُستخدم الجهاز عند تواجد أشخاص آخرين في نطاق العمل إلا مع ارتدائهم لملابس واقية.

غير مسموح بتشغيل الجهاز من قبل الأطفال أو غير المدربين.

هذا الجهاز غير مخصص للاستخدام من قبل

الأشخاص محدودي القدرات البدنية أو الحسية

أو العقلية أو من لا تتوافر لديهم الخبرة و/أو

المعرفة إلا إذا تم الإشراف عليهم من قبل

شخص مختص بأمنهم وسلامتهم أو بعد

حصولهم على تعليمات من هذا الشخص

بشأن كيفية استخدام هذا الجهاز والأخطار

الناشئة عن ذلك.

لا يسمح للأطفال بالعبث بالجهاز.

ينبغي مراقبة الأطفال لضمان عدم تلاعبهم

بالجهاز.



احترس

قبل إجراء أية أعمال على الجهاز أو

باستخدامه احرص على توفير الثبات للجهاز

للحيلة دون تعرضه للحوادث أو الإصابات.

المكونات الكهربائية



خطر

خطر التعرض لصدمة كهربائية.

يجب ألا يتم الإمساك بقابس الشبكة والمقبس بأيدي مبتلة بالماء نهائياً.

يجب التحقق من عدم وجود تلفيات بوصلة سلك التوصيل الرئيسي وقابس الوصل الموجود به وذلك قبل التشغيل في كل مرة. احرص فوراً على استبدال وصلة سلك التوصيل الرئيسي التالفة عن طريق خدمة العملاء المعتمدة/ فني كهربائي مختص. لا تقم بتشغيل الجهاز بواسطة سلك توصيل رئيسي تالف.

يجب حماية جميع الأجزاء التي يمر بها التيار في نطاق العمل من شعاع الماء.

يجب أن يكون كل من قابس الوصل وقارنات سلك التمديد مقاوم للماء كما يجب ألا يوضع في الماء يجب ألا تكون القارنات على الأرض. يفضل استخدام الطنابير الكابلية، والتي تضمن عدم تواجد المقابس على ارتفاع يقل عن 60 مم من سطح الأرض.

يراعى ألا تتعرض وصلة سلك التوصيل الرئيسي أو سلك التمديد للضرر أو التلف نتيجة للمرور فوقها أو تعرضها للالتواء والتي أو التمزق والتعقد وما شابه ذلك. يجب حماية وصلات الشبكة من السخونة والزيت والحواف الحادة.

قبل القيام بجميع أعمال العناية والصيانة يجب إيقاف الجهاز وسحب قابس الشبكة.

غير مسموح بإجراء الإصلاحات والعمل بالمكونات الكهربائية بالجهاز إلا لخدمة العملاء المعتمدة.

إرشادات السلامة الخاصة بمنظف الضغط العالي

يرجى قراءة إرشادات السلامة هذه ودليل التشغيل الأصلي



قبل أول استخدام لجهازكم. وقم بالتعامل معه وفقاً لذلك. احتفظ بكل الكتيبين للاستخدام اللاحق أو للمالك التالي.

علاوة على الإرشادات الواردة في دليل التشغيل هذا يجب عليك مراعاة القواعد العامة للسلامة والوقاية من الحوادث والتي يحددها المشرع.

مرفق مع الجهاز توضيح لعلامات التحذير وعلامات الإرشاد والتي تعطي إرشادات مهمة للوصول إلى تشغيل بدون أخطار.

درجات الخطر



خطر

الانتباه إلى المخاطر المباشرة وشيكة الحدوث التي قد تؤدي إلى إصابات جسدية بالغة أو تسبب في الوفاة.



تحذير

الانتباه إلى مواقف قد تحفها المخاطر وقد تؤدي إلى إصابات جسدية بالغة أو تسبب في الوفاة.



احترس

الانتباه إلى الموقف الخطير المحتمل والذي قد يؤدي إلى إصابات بسيطة.

انتبه

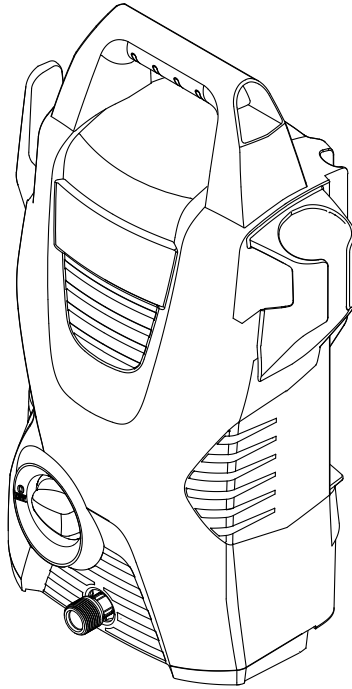
الانتباه إلى الموقف الخطير المحتمل والذي قد يؤدي إلى أضرار مادية.

KÄRCHER

makes a difference

K 2 Compact

العربية



59654380 (10/15)