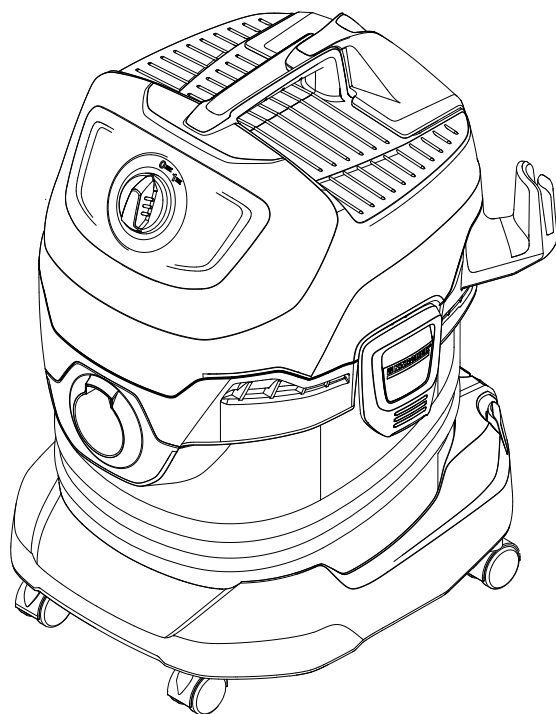
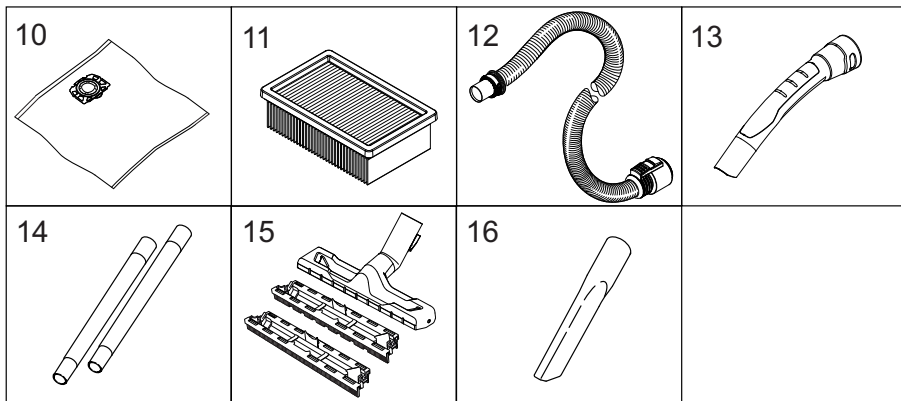
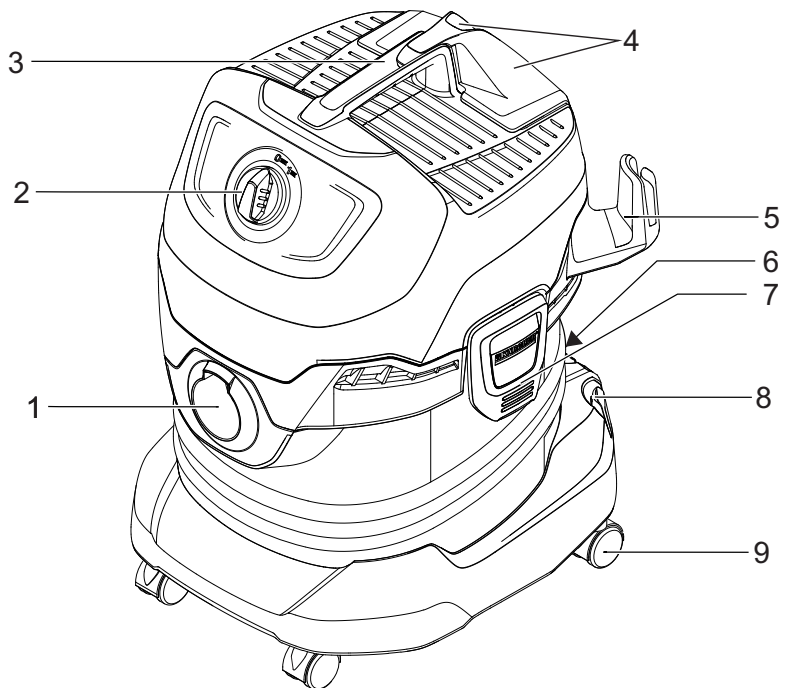


中文 . . . . . 5  
English . . . . . 12

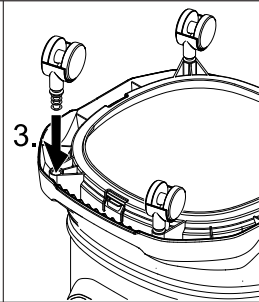
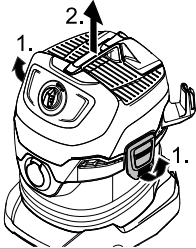


Register and win!  
[www.kärcher.com/register-and-win](http://www.kärcher.com/register-and-win)

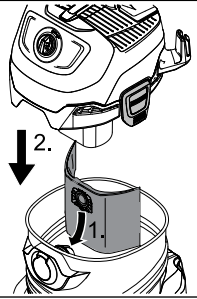
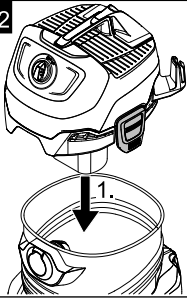




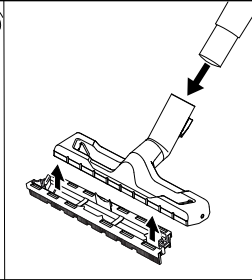
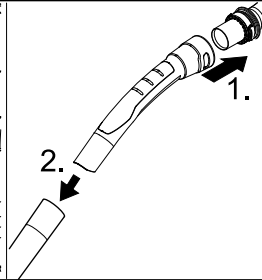
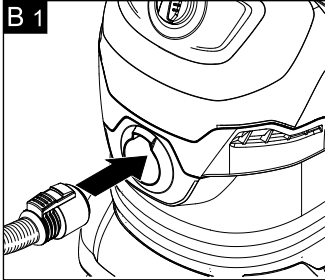
**A 1**



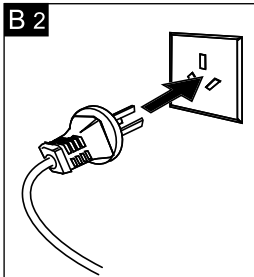
**A 2**



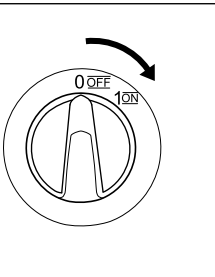
**B 1**



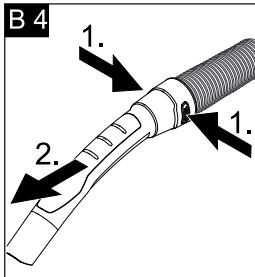
**B 2**



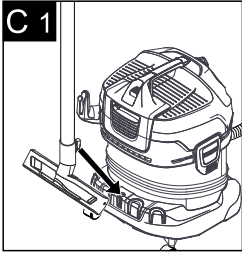
**B 3**



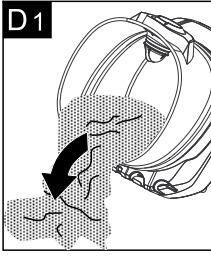
**B 4**



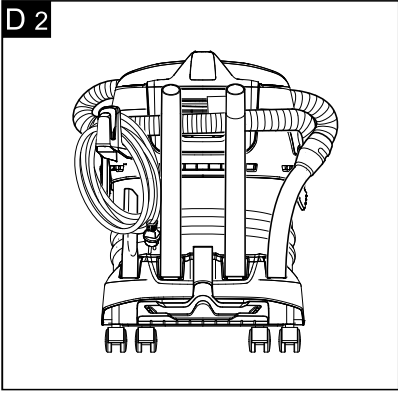
C 1



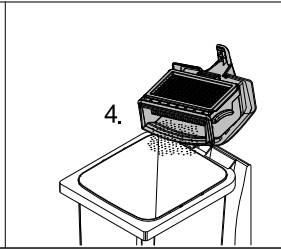
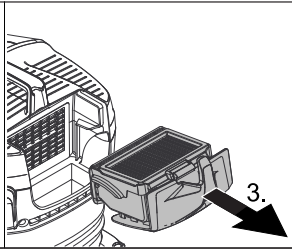
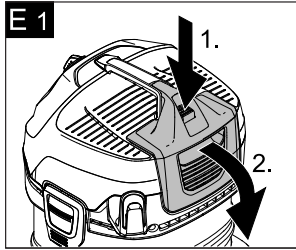
D 1



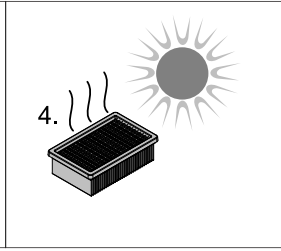
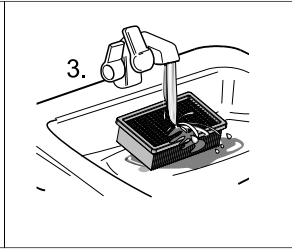
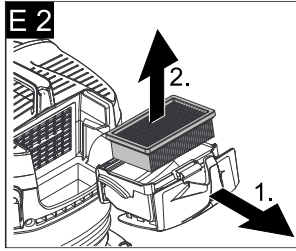
D 2



E 1



E 2



## 目录

一般提示: . . . . .	5
安全说明 . . . . .	6
设备说明 . . . . .	6
操作说明 . . . . .	8
保养与维护 . . . . .	9
故障排除 . . . . .	9
产品规格 / 参数 . . . . .	10
保修卡 . . . . .	11

## 一般提示:

### 亲爱的客户:



在您初次使用本产品前, 请仔细阅读本说明书, 并请妥善保存以便日后查阅。

### 合乎规定的使用

根据本操作说明书中所作的描述和安全提示, 本吸尘器用作多功能吸尘器。

该设备开发用于私家用途, 并非设计满足工商业使用要求。

- 防止机器受到雨淋。不要存放在室外区域内。
- 不得使用本设备抽吸灰烬和碳黑。

本多功能吸尘器只使用:

- 原配过滤器袋。
- 原配备件、附件或选装配件。

对于由于执行未规定的使用或错误的操作造成的可能的损失, 制造商将不承担任何责任。

## 环境保护



包装材料可以回收利用。请不要把包装材料与普通垃圾放在一起处理, 而应妥善安排回收。



旧的设备中含有宝贵的可再利用的材料, 应加以回收利用。请通过适当的收集系统处理您的旧设备。

### 清理过滤器和过滤器袋

过滤器和过滤器袋由环保材料制成。

如果被抽吸进去的物质并非生活垃圾所禁止的物质, 则可作为正常的生活垃圾进行清理。

### 内部材料提示 (REACH)

最新的内部材料信息请您在如下链接中查找:

[www.kaercher.com/REACH](http://www.kaercher.com/REACH)

## 客户服务

如有疑问或产生故障, 我们 KARCHER 公司的分公司将乐于继续帮助您。

(地址详见背面。)

### 订购备件和选装配件

在说明书的结尾部分您可以找到精选的最频繁需要的备件。

向贵方经销商或向贵处 KARCHER 公司分公司购买备件和附件。

## 质量保证

我们在各国的经销商已经公布了各国相应的质量保证条款。在质量保证期内, 如果您的产品发生了任何故障, 我们都将为您提供免费维修, 但是这种故障应当是由于机身材料或制造上的缺陷造成的。请您向经销商或者与您距离最近的经过授权的客户服务处联系, 提出保修请求, 并提供相应的产品购买证明文件。

## 安全说明

### ⚠ 危险

- 本设备只能连接交流电源。电压必须满足设备铭牌上的数据要求。
- 请勿用湿手接触插头和插座。
- 不要通过拉动电线将电源插头从插座上拔下。
- 每次使用前检查电线包括电源插头是否受损。损坏的连接导线应立即让已授权的客户服务人员 / 电气专业人员进行更换。
- 为了避免发生触电事故，我们建议使用前面带漏电保护开关的插座（最大额定触发电流强度为 30 mA）。
- 在对设备进行维修与维护之前，必须关闭设备并拔下电源插头。
- 只能由经过授权的客户服务中心维修。

### ⚠ 警告

- 本设备不得让那些身体能力有限、感官能力弱或理解能力差或者缺乏经验和 / 或缺乏知识的人员使用，除非他们有专人监督或接受专人指导如何操作设备并了解其可能产生的危险。
- 超过 8 岁的孩子在有监护人监督或获得使用设备的指导并了解其可能产生的危险的前提下可以使用该设备。
- 儿童不得玩耍本设备。
- 照看好儿童，以确保他们不用设备玩耍。
- 儿童未受看管不得进行清洁和用户保养。
- 让儿童远离包装薄膜，否则会有窒息危险！
- 在每次使用后和在每次清洁 / 保养前关闭设备。
- 存在火灾危险。不抽吸正在燃烧或尚有余热的物品。
- 禁止在存在爆炸危险的空间内运行本设备。
- 一旦形成泡沫或发生液体泄漏，则立即关闭吸尘器或拔下电源插头！
- 不使用去污剂、玻璃清洁剂或全能清洁剂！从不将设备浸泡在水中。

某些物质在被吸入空气搅动时，可能会生成爆炸性气体或混合物！

不得使用本设备清扫以下物质：

- 易燃易爆的气体、液体和粉尘（反应性粉尘）

- 与高碱性或高酸性洗涤剂相化合的活性金属颗粒（比如铝、锰、锌等）
  - 未经稀释的强碱和强酸
  - 有机溶剂（比如汽油、涂料稀释剂、柄酮、民用燃料油等）。
- 另外，上述物质也会造成设备材料腐蚀。

## 危险程度

### ⚠ 危险

提示会导致人员重伤或死亡的直接威胁性危险。

### ⚠ 警告

提示可能导致人员重伤或死亡的危险状况。

### ⚠ 小心

提示可能导致轻度伤害的危险状况。

### 注意

提示可能产生财产损失的危险状况。

## 设备说明

图片参见折叠式插页！



在打开产品包装的同时，请确认设备附件没有缺失，箱内物品没有损坏。如果您发现运输途中造成损坏，请联系经销商。

### 1 抽吸软管接头

#### 图 B1

→ 为了吸尘时吸尘软管的连接。

### 2 设备开关（开 / 关）

#### 图 B3

→ 位置 I：设备已打开。

位置 0：设备已关闭。

### 3 手柄

→ 解锁后，移动吸尘器或取下机头。

### 4 过滤盒和解锁按钮

#### 图 E1

#### 图 E2

→ 按压用于过滤清洁的解锁按钮，向外翻转并取出过滤盒。

### 5 配件卡座钩

该附件盒可保存吸嘴和电源线。

## 6 停放位置

### 图 C 1

→ 工休时关闭地面吸嘴。

## 7 污物桶封罩

### 图 A 1

→ 向外拉即可打开，向内按即可关上。

## 8 贮灰桶配件卡座

### 图 D 2

→ 该配件卡座可用于保管抽吸管或其他配件。

## 9 导向轮

### 图 A 1

→ 转动污物桶，将可旋转脚轮压到位于污物桶底部的开口中，直到挡块为止。

## 10 过滤器袋

**提示：** 进行湿式抽吸时不得使用过滤袋！

### 图 A 2

→ **推荐：** 抽吸尘埃须使用过滤袋。

## 11 扁平折叠式过滤器

(已安装在设备上)

### 注意

不管是在进行湿式抽吸还是干式抽吸，始终使用内置的扁平折叠式过滤器进行工作！

## 12 吸尘软管带连接件

### 图 B 1

→ 将吸尘软管按到设备上的接头中，将其卡好。

→ 取下时用大拇指压下卡扣并拔出吸尘软管。

**提示：** 附件，例如抽吸刷（选择性配置）可以直接插入连接件中，并借此与吸尘软管相连。

在有限空间内也可以舒适工作。

可拆式手柄需要时可以安装在附件和吸尘软管之间。

参见位置 13。

**推荐：** 地面抽吸时，将手柄插入吸尘软管。

## 13 可拆式手柄

### 图 B 1

→ 将手柄与吸尘软管连接，将其卡好。

### 图 B 4

→ 从吸尘软管上取下手柄时，用大拇指压下卡扣并拉出手柄。

**提示：** 通过取下手柄，也可以将附件直接插入吸尘软管。

参见位置 12。

**推荐：** 地面抽吸时，将手柄插入吸尘软管。

## 14 抽吸管 2 x 0.5 米

### 图 B 1

→ 将两条抽吸管插在一起并与手柄连接。

## 15 地面吸嘴

(带抽吸芯)

→ 用于地面抽吸干燥污物时，使用两根释放刷条夹入地面吸嘴中。

→ 用于地面抽吸水分时，使用两根橡皮嘴夹入地面吸嘴中。

## 16 坡口喷嘴

→ 用于边角、缝隙、加热器和难以接触到的区域。

## 操作说明

### 注意

不管是在进行湿式抽吸还是干式抽吸，始终使用内置的扁平折叠式过滤器进行工作！

### 设备启动前

#### 图 A 1

- 机头解锁并取下。
- 转动污物桶，将可旋转脚轮压到位于污物桶底部的开口中，直到挡块为止。
- 放上并锁定机头。

### 调试

#### 图 B 1

- 连接附件

#### 图 B 2

- 插上电源。

#### 图 B 3

- 启动设备。

### 干式抽吸

### 注意

只使用干的扁平折叠式过滤器进行工作。使用前检查过滤器是否受损，如有必要进行更换。

#### 图 A 2

- **推荐：**抽吸尘埃须使用过滤袋。

### 过滤袋提示

- 过滤器袋的充满度取决于所抽吸的污物。
- 如污物系尘埃、砂子等，则必须经常更换过滤器袋。
- 添加的过滤袋可能被胀破，为此须及时更换过滤袋！

### 注意

仅使用预分离器抽吸冷灰烬。

基本款订单编号：2.863-139.0，优质款：  
2.863-161.0。

### 湿式吸尘

- 为了抽吸液体或者潮气，注意使用正确的地面吸嘴芯，并连接相应的附件。

### 注意

不使用过滤器袋！

**提示：**一旦污物桶已满，浮球即关闭抽吸口并且设备高速运转。此时，请立即关闭设备并清空贮灰桶。

### 中断运行

#### 图 B 3

- 关闭设备。

#### 图 C 1

- 将地面吸嘴挂到停放位置。

### 结束运行

- 关闭设备并拔下电源插头。

### 清空桶

#### 图 D 1

- 取下机头，将装有湿或干垃圾的贮灰桶清空。

### 吸尘器保管

#### 图 D 2

- 整齐摆放设备附件和电源线，并将设备保存在干燥室内。



## 保养与维护

- 使用商店可买到的塑料清洁剂维护设备和塑料附件。
- 需要时用水冲洗桶和附件并在继续使用前将其干燥。

### 清洁扁平折叠式过滤器

**推荐：过滤盒在每次使用后清洁。**

图 E1

- 过滤盒解锁，向外翻转和取出，在垃圾桶处排空来自于过滤盒的污物。
- 安装的扁平折叠式过滤器和过滤盒可以通过敲击垃圾桶边缘完成清洁。不必从过滤包中拆除扁平折叠式过滤器。

**需要时可单独清洁扁平折叠式过滤器。**

图 E1

- 过滤盒解锁，向外翻转和取出。

图 E2

- 从过滤盒中取出扁平折叠过滤器并拍打干净。
- 需要时仅用自来水清洗，不要擦干或刷洗。  
在使用前完全干燥。
- 最后把干燥的扁平折叠式过滤器再次安装回设备中。把过滤袋安装到设备中。

## 故障排除

### 吸尘功率减弱

如果设备的抽吸功率有所下降，请检查以下部件：

- 附件、吸尘软管或抽吸管堵塞，请用木棍清除堵塞物。

图 A2

- 过滤袋已满：使用新的过滤袋。

图 E2

- 扁平折叠式过滤器有污物：取出过滤盒，并清洁滤芯（参见章节“扁平折叠式过滤器的清洁”）。
- 更换受损的扁平折叠式过滤器。

## 产品规格 / 参数

电压 1~50 Hz	220	V
功率 P <sub>额定</sub>	1000	瓦
保险丝（慢断型）	10	A
污物桶体积	20	l
手柄的吸水性	12	l
地面吸嘴的吸水性	10	l
电源线	H05V-F 2x0,75	
声压电平 (EN 60704-2-1)	72	A 级 分贝
重量（不含附件）	7,5	千克

**规格若有变更，恕不另行通知。**

# 保修卡

尊敬的用户：

非常感谢您使用凯驰产品！作为世界级的清洁品牌，凯驰在为您提供优质产品的同时，也将为您送去至诚的服务！请填妥《保修卡》并与发票一起保存，他们将是您获得保修服务的最有力保证。

购买日期：\_\_\_\_\_ 产品型号：\_\_\_\_\_

用户电话：\_\_\_\_\_ 产品序列号：\_\_\_\_\_

用户地址：\_\_\_\_\_ 经销商盖章：\_\_\_\_\_

德国凯驰 服务中国 服务热线：400 880 1060

## Contents

General notes . . . . .	12
Safety instructions. . . . .	13
Description of the Appliance . .	14
Operation . . . . .	15
Care and maintenance . . . . .	16
Troubleshooting . . . . .	17
Technical specifications . . . . .	17
Warranty Card. . . . .	18

## General notes

### Dear Customer,



Please read and comply with these original instructions prior to the initial operation of your appliance and store them for later use or subsequent owners.

### Proper use

In accordance with the descriptions and the safety information in these operating instructions the appliance is intended for use as a multi-purpose vacuum cleaner.

This appliance has been designed for use in private households and is not intended for commercial use.

- Protect the unit from rain. Do not store outside.
- This device may not be used to suck in ash and soot.

Use the multi-purpose vacuum cleaner only with:

- Original filter bag.
- Original spare parts, accessories and special accessories.

The manufacturer is not responsible for any damages that may occur on account of improper use or wrong operations.

## Environmental protection



The packaging material can be recycled. Please do not place the packaging into the ordinary refuse for disposal, but arrange for the proper recycling.



Old appliances contain valuable materials that can be recycled. Please arrange for the proper recycling of old appliances. Please dispose your old appliances using appropriate collection systems.

### Disposing the filters and filter bags

Filters and filter bags are made from environment-friendly materials.

They can therefore be disposed off through the normal household garbage provided you have not sucked in substances that are not permitted to be thrown into household garbage.

### Notes about the ingredients (REACH)

You will find current information about the ingredients at:

[www.kaercher.com/REACH](http://www.kaercher.com/REACH)

### Customer Service

Our KÄRCHER branch will be pleased to help you further in the case of questions or faults.

(See address on the reverse)

### Ordering spare parts and special attachments

At the end of the operating instructions you will find a selected list of spare parts that are often required.

You can procure the spare parts and the attachments from your dealer or your KÄRCHER branch office.

## Warranty

The terms of the guarantee applicable in each country have been published by our respective national distributors. We will repair possible faults on your unit free of charge within the warranty period, insofar as the faults are caused by material defects or defective workmanship. Guarantee claims should be addressed to your dealer or the nearest authorized customer service centre, and supported by documentary evidence of purchase.

## Safety instructions

### **⚠ DANGER**

- *The appliance may only be connected to alternating current. The voltage must correspond with the type plate on the appliance.*
- *Never touch the mains plug and the socket with wet hands.*
- *Do not pull the plug from the socket by pulling on the connecting cable.*
- *Check the power cord with mains plug for damage before every use. To avoid risks, arrange immediately the exchange by an authorized customer service or a skilled electrician, if the power cord is damaged.*
- *To avoid accidents due to electrical faults we recommend the use of sockets with a line-side current-limiting circuit breaker (max. 30 mA nominal tripping current).*
- *Turn off the appliance and remove the mains plug prior to any care and maintenance work.*
- *Repair works may only be performed by the authorised customer service.*

### **⚠ WARNING**

- *This appliance is not intended for use by persons with limited physical, sensory or mental capacities or lacking experience and/or skills, unless such persons are accompanied and supervised by a person in charge of their safety or they have received precise instructions*

*on the use of this appliance and have understood the resulting risks.*

- *Children may only use this appliance if they are over the age of 8 and supervised by a person in charge of their safety, or if they have received instructions on the use of this appliance and have understood the resulting risks.*
- *Children must not play with this appliance.*
- *Supervise children to prevent them from playing with the appliance.*
- *Cleaning and user maintenance must not be performed by children without supervision.*
- *Keep packaging film away from children - risk of suffocation!*
- *Switch the appliance off after every use and prior to every cleaning/maintenance procedure.*
- *Risk of fire. Do not vacuum up any burning or glowing objects.*
- *The appliance may not be used in areas where a risk of explosion is present.*
- *Immediately switch the appliance off or pull the power plug if foam forms or liquids escape!*
- *Do not use abrasives, glass or universal cleaners! Never immerse the appliance in water.*

*Certain materials may produce explosive vapours or mixtures when agitated by the suction air!*

*Never vacuum up the following materials:*

- *Explosive or combustible gases, liquids and dust particles (reactive dust particles)*
- *Reactive metal dust particles (such as aluminium, magnesium, zinc) in combination with highly alkaline or acidic detergents*
- *Undiluted, strong acids and alkalies*
- *Organic solvents (such as petrol, paint thinners, acetone, heating oil).*

*In addition, these substances may cause the appliance materials to corrode.*

## Hazard levels

### **⚠ DANGER**

Pointer to immediate danger, which leads to severe injuries or death.

### **⚠ WARNING**

Pointer to a possibly dangerous situation, which can lead to severe injuries or death.

### **⚠ CAUTION**

Pointer to a possibly dangerous situation, which can lead to minor injuries.

### **ATTENTION**

Pointer to a possibly dangerous situation, which can lead to property damage.

## Description of the Appliance

### Illustrations on fold-out page!



When unpacking the product, make sure that no accessories are missing and that none of the package contents have been damaged. If you detect any transport damages please contact your dealer.

### **1 Suction hose connection**

Illustration **B 1**

→ To connect the suction hose during vacuuming.

### **2 ON/OFF switch for appliance**

Illustration **B 3**

→ **Position I:** Appliance is switched on.  
**Position 0:** Appliance is switched off

### **3 Carrying handle**

→ To carry the appliance or to remove the appliance head after unlocking.

### **4 Filter box and release key**

Illustration **E 1**

Illustration **E 2**

→ In order to clean the filter, press the release key, fold out and remove the filter box.

### **5 Accessory compartment, hook**

This accessory compartment allows the storage of suction nozzles and the power cable.

### **6 Parking position**

Illustration **C 1**

→ To rest the floor nozzle during work interruptions.

### **7 Container closure**

Illustration **A 1**

→ Pull out to open, push in to lock.

### **8 Accessory storage container**

Illustration **D 2**

→ This accessory compartment allows the storage of the suction pipes or other accessories.

### **9 Steering roller**

Illustration **A 1**

→ Turn the container, press in the steering roller in the openings at the base of the container till the end-point.

### **10 Filter bag**

**Note:** Do not use a filter bag for wet vacuuming!

Illustration **A 2**

→ **Recommendation:** To vacuum fine dust, use the filter bag.

### **11 Flat fold filter**

(already installed in the appliance)

### **ATTENTION**

*Always work with an inserted flat fold filter - during wet as well as dry vacuum cleaning!*

## 12 Suction hose with connecting piece

Illustration **B 1**

- Push the suction hose into the connection on the appliance, it snaps in place.
- In order to disconnect it, push down with your thumb and pull the suction hose out.

**Note:** Accessories, such as suction brushes (optional) can be directly attached to the connecting piece and thus connected to the suction hose.

For convenient working even in tight spaces.

The removable handle can be attached between the accessories and the suction hose if necessary.

See position 13.

**Recommendation:** In order to vacuum the floor, attach the handle to the suction hose.

## 13 Removable handle

Illustration **B 1**

- Connect the handle with the suction hose until it snaps in place.

Illustration **B 4**

- To remove the handle from the suction hose, press the notch using your thumb and pull off the handle.

**Note:** Due to removing the handle, accessories can be directly attached to the suction hose.

See position 12.

**Recommendation:** In order to vacuum the floor, attach the handle to the suction hose.

## 14 Suction tubes 2 x 0.5 m

Illustration **B 1**

- Put both suction tubes together and connect them with the handle.

## 15 Floor nozzle (with inserts)

- When vacuuming dry dirt off the floor, clip an insert with two brush strips into the floor nozzle.

- When vacuuming water off the floor, clip an insert with two rubber lips into the floor nozzle.

## 16 Crevice nozzle

- For edges, joints, heaters and hard to reach locations.

# Operation

### ATTENTION

*Always work with an inserted flat fold filter - during wet as well as dry vacuum cleaning!*

## Before Startup

Illustration **A 1**

- Release and remove the appliance head.
- Turn the container, press in the steering roller in the openings at the base of the container till the end-point.
- Insert and lock the appliance head.

## Start up

Illustration **B 1**

- Connect accessories.
- Illustration **B 2**
- Plug in the mains plug.
- Illustration **B 3**
- Turn on the machine.

## Dry vacuum cleaning

### ATTENTION

*Work with a dry flat fold filter only.*

*Check the filter for damage prior to installation and replace as necessary.*

Illustration **A 2**

- **Recommendation:** To vacuum fine dust, use the filter bag.

## Information filter bag

- The filling level of the filter bag depends on the dirt that is sucked in.
- The filter bag needs to be replaced more frequently while sucking in fine dust, sand, etc.
- Clogged filter bags can burst - therefore make sure to replace the filter bag in a timely manner!

## ATTENTION

Vacuum cold ashes only when using a pre-filter.

Order no. basic design: 2.863-139.0, premium design: 2.863-161.0.

### Wet vacuum cleaning

- For vacuuming up moisture or wetness pay attention to the correct floor nozzle insert and connect the corresponding accessories.

## ATTENTION

Do not use a filter bag!

**Note:** If the container is full, a float closes the suction opening, and the appliance works at a higher speed. Switch off the appliance immediately, and empty the container.

### Interrupting operation

Illustration **B3**

- Turn off the appliance.

Illustration **C1**

- Hook the floor nozzle into the parking position.

### Finish operation

- Turn off the appliance and disconnect the mains plug.

### Empty the container

Illustration **D1**

- Remove the appliance head and empty the reservoir filled with wet or dry dirt.

### Storing the appliance

Illustration **D2**

- Store the accessories and the mains cable on the appliance and store the appliance in dry rooms.

## Care and maintenance

- Clean the appliance and accessory parts made of plastic with a commercial plastic cleaner.
- If required, rinse the container and accessories with water properly and dry them before reuse.

### Clean flat fold filter

**Recommendation: Clean the filter box after every use.**

Illustration **E1**

- Unlock, fold out and remove the filter cartridge, empty dirt from the filter cartridge over a waste bin.
- In order to clean the inserted flat fold filter, knock the filter box against the edge of the waste bin. It is not necessary to remove the flat fold filter from the filter box.

**If necessary, clean the flat fold filter separately.**

Illustration **E1**

- Unlock, fold out and remove the filter cartridge.

Illustration **E2**

- Remove the flat fold filter from the filter box and tab it out.
- When necessary, clean under running water only, do not wipe or brush down. Allow to dry completely prior to use.
- Finally, reinstall the dry flat fold filter into the appliance. Insert the filter cartridge into the appliance.



## Troubleshooting

### Decreasing cleaning power

If the suction power becomes less, check the following points:

- Accessories, suction hose or suction pipes are clogged, please remove the obstruction using a stick.

Illustration **A 2**

- Filter bag is full: Insert new filter bag.

Illustration **E 2**

- Flat fold filter contaminated: Remove the filter box and clean filter (see Chapter "Cleaning the flat fold filter").
- Replace damaged flat fold filter.

## Technical specifications

Voltage 1~50 Hz	220	V
Output P <sub>nom</sub>	1000	W
Mains fuse (slow-blow)	10	A
Container capacity	20	l
Water intake with handle	12	l
Water intake with floor nozzle	10	l
Power cord	H05V-F 2x0,75	
Sound pressure level (EN 60704-2-1)	72	dB(A)
Weight (without accesso- ries)	7,5	kg

**Subject to technical modifications!**

# Warranty Card

Dear Customer:

Thank you for buying and using Karcher products. As a top brand for cleaning machines, Karcher provides premium service as well as premium products to our customers. Please fill out the warranty card and keep this with your invoice. This will guarantee getting service from Karcher.

Purchase date: \_\_\_\_\_ Product model: \_\_\_\_\_

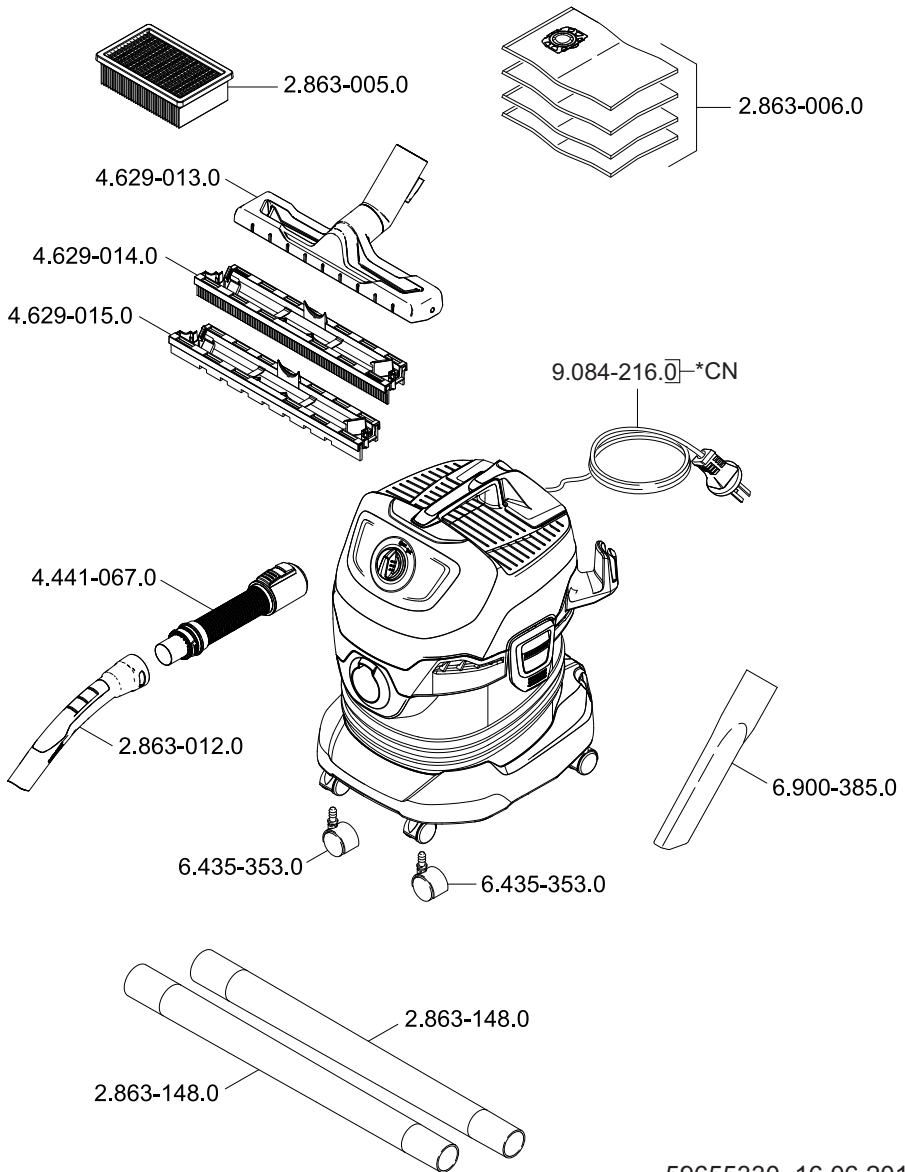
Customer phone: \_\_\_\_\_ Serial no.: \_\_\_\_\_

Customer address: \_\_\_\_\_ Dealer's stamp: \_\_\_\_\_

**Karcher (Germany)    Service in China    Hotline: 400 880 1060**







59655330 16.06.2015



<http://www.kaercher.com/dealersearch>



**Alfred Kärcher GmbH & Co. KG**

Alfred-Kärcher-Str. 28 - 40

71364 Winnenden (Germany)

Tel.: +49 7195 14-0

Fax: +49 7195 14-2212