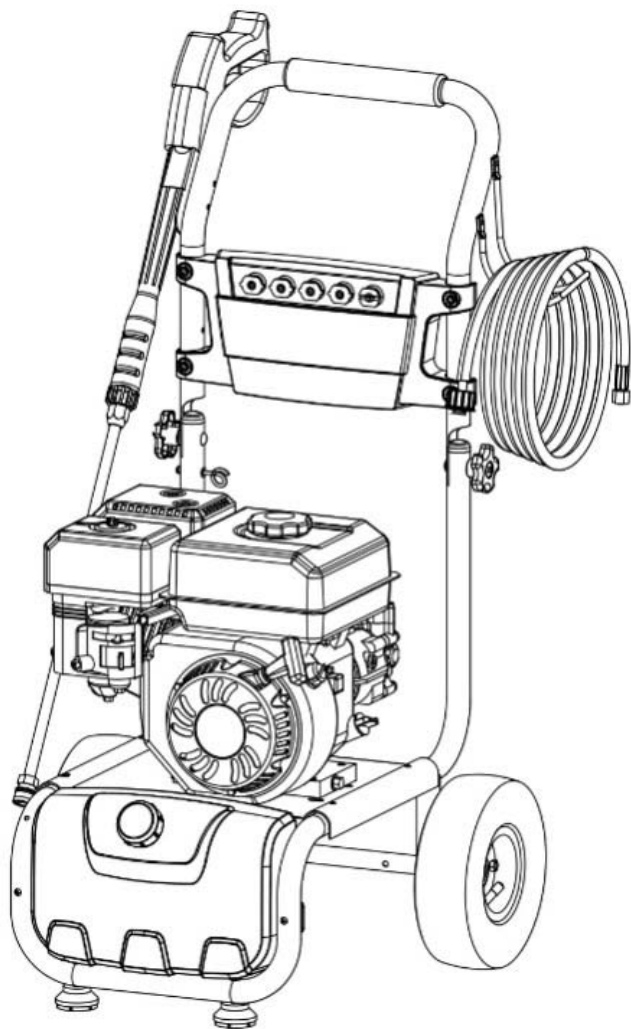


KÄRCHER

G 3000

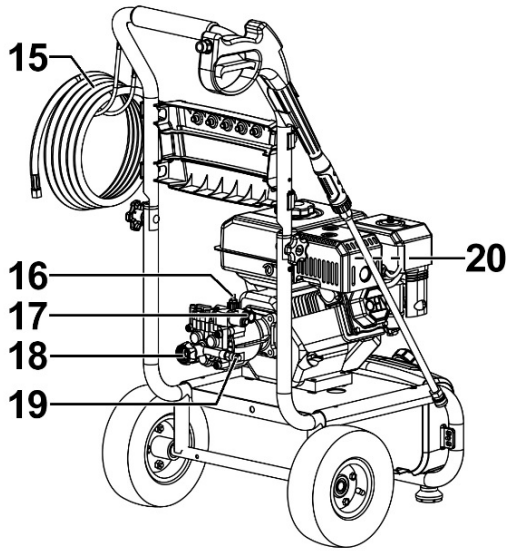
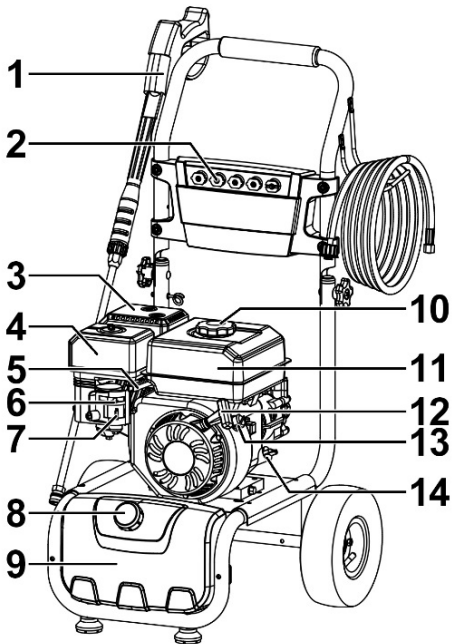


English . . . 4
Español . . . 22
Français . . . 42



8.641-226.0 12/15

G 3000



HIGH PRESSURE WASHER OPERATOR MANUAL



Please read and comply with these original instructions prior to the initial operation of your appliance and store them for later use or subsequent owners.

Contents

Model Overview	EN-4
Safety Instructions	EN-5
Assembly Instructions	EN-7
Preparation	EN-9
Operating Instruction	EN-10
Using the Accessories	EN-12
Working with Detergents	EN-13
Taking a Break	EN-14
Shutting Down & Clean Up	EN-14
Winterizing & Long Term Storage	EN-14
Maintenance Instructions	EN-15
Cleaning Tips	EN-15
Troubleshooting	EN-18

Model Overview

1. Spray Gun
2. Nozzles
3. Muffler
4. Air Filter

5. Throttle Lever
6. Choke Lever
7. Fuel Valve
8. Detergent Tank Cap
9. Detergent Tank
10. Fuel Tank Cap
11. Fuel Tank
12. Hand Cord
13. Engine Switch
14. Oil Dipstick
15. Pressure Hose
16. Detergent Suction Connection
17. Pump Outlet
18. Pump Inlet
19. Thermal Relieve Valve
20. Spark Plugs

Specifications

G 3000	
Operating Pressure	3000 PSI
Water Volume	2.4 GPM
Engine	OHV
Fuel Type	Unleaded Gas
Fuel Tank Size	.79 Gallons (3.0L)
Engine Oil Type	SAE 10W-30
Model Number	1.107-280.0
Serial Number	

Hazard Levels

DANGER

Indicates “an imminently hazardous situation which, if not avoided, will result in death or serious injury.”

WARNING

Indicates “a potentially hazardous situation which, if not avoided, could result in death or injury.”

CAUTION

Indicates “a potentially hazardous situation which, if not avoided, may result in minor or moderate injury or in property damage incidents.”

Safety Instructions

WARNING

When using this product, basic precautions should always be followed, including the following:

- Read the operating instructions of the engine manufacturer before start-up and follow the safety instructions carefully.
- Read all instructions before using product.
- To reduce the risk of injury, close supervision is necessary when the product is used near children.
- Know how to stop the product and bleed pressures quickly. Be thoroughly familiar with the controls.
- Stay alert - watch what you are doing.

- Do not operate when fatigued or under the influence of alcohol or drugs.
- Keep operating area clear of all persons.
- Do not overreach or stand on unstable support. Keep good footing and balance at all times.
- Wear safety goggles and ear protection.
- Follow the maintenance instructions specified in the manual.
- To avoid risks, all repairs and replacement of spare parts should only be carried out by trained personnel.
- Tire pressure should not exceed max. 25 psi.

WARNING

Risk of injection or injury – Do not direct discharge stream at persons.

- High pressure jets can be dangerous if misused. The jet must not be directed at persons, animals, electrical devices, or the unit itself.

DANGER

Do not spray electrical connections, electrical outlets or fixtures.

- Do not use acids, solvents, or any alkaline or flammable material in this product. These products can cause physical injuries to the operator and irreversible damage to the machine.

WARNING

Gun kicks back – Hold with both hands.

- The trigger gun safety lock prevents the trigger from accidentally being engaged. This safety feature must be engaged when replacing nozzles or not in use.

WARNING

The engine exhaust from this product contains chemicals known to the State of California to cause cancer, birth defects or other reproductive harm. Operation of this equipment may create sparks that can start fires around dry vegetation. A spark arrestor may be required. Operator should contact local fire agencies for laws or regulations.

CAUTION

Risk of asphyxiation – Use this product only in a well ventilated area. Do not operate indoors or in any confined area.

- Operate and fuel machine in a well ventilated area, free of devices featuring an open pilot or flame such as boilers, water heaters, etc.

CAUTION

Risk of fire/explosion – Do not add fuel when the machine is operating or still hot.

WARNING

Risk of fire/explosion -Operate only where open flame or torch is permitted. Do not spray flammable liquids.

- Do not operate if fuel has been spilled. Instead, move machine to

different location and avoid creating sparks.

- This machine has hot surfaces which can cause burns. Operate in a safe environment and away from children.
- Do not touch hot surfaces or allow accessories to contact hot surfaces.
- Do not leave machine running unattended.
- Avoid tipping machine on its side.

Water Supply (Cold Water Only)

CAUTION

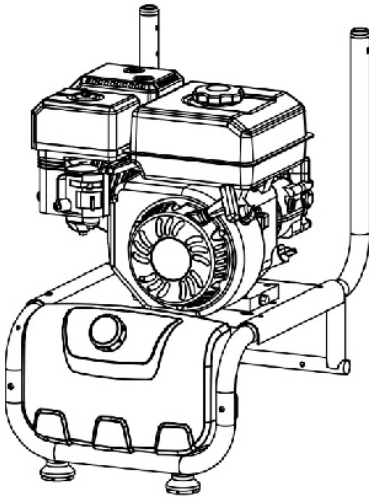
When connecting to water supply mains, local regulations of your municipal water company must be observed. In some areas connecting directly to public drinking water supply may require a back flow prevention device. This is to ensure that there is no feedback of chemicals into the water supply. Use a water filter to avoid potential damage from dirt in the water supply.

- Garden hose must be at least 5/8 inch diameter.
- Flow rate of water supply must not fall below 2.4 GPM (gallons per minute)
- Flow rate can be determined by running the water for one minute into an empty 5-gallon container.
- The water supply temperature must not exceed 122°F/50°C.
- Never use the pressure washer to draw in water contaminated with solvents, e.g. paint thinners, gasoline, oil, etc.

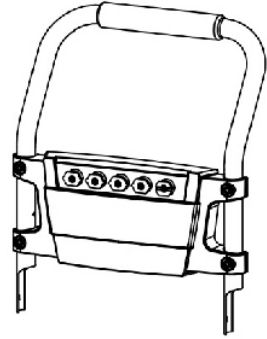
- Always prevent debris from being drawn into the unit by using a clean water source. Use additional water filter.
- Do not operate pressure washer without the water turned on.

Assembly Instructions

Part List



A - Main Frame



B - Handle



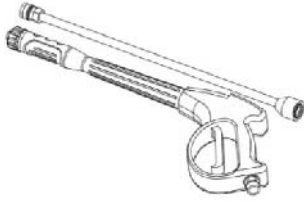
C - Gun Hook & Hose Hook



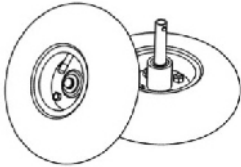
D - Knobs & Bolts



E - Pressure Hose



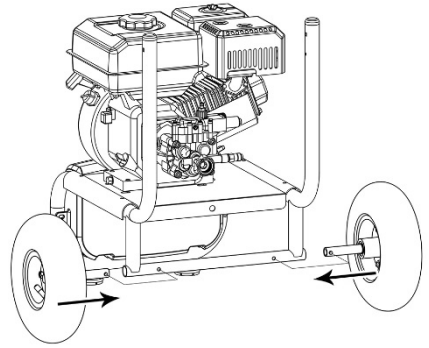
F - Spray Gun & Wand



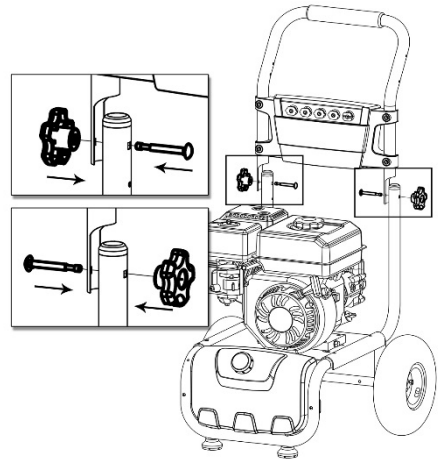
G - Wheels

Parts not shown:

- 1 - Manual
- 1 - Nozzle Cleaner
- 1 - Spark Plug Wrench
- 1 - O-Ring Set
(2 for pressure hose, 1 for spray gun)



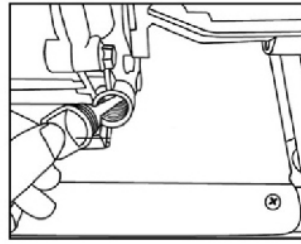
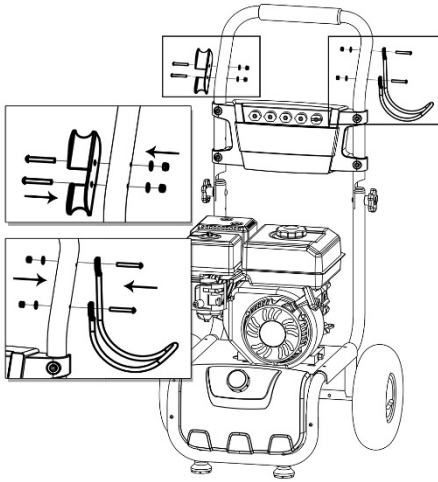
- ▶ Attach the handle and main frame with knobs and bolts.



Assembling

- ▶ Install the wheels to the main frame by pressing the spring loaded pin on wheel axle, then insert wheel axle into frame. Ensure that the spring pin is fixed in position. Repeat for the other wheel.

- ▶ Attach the gun & hose hooks to the handle.



- ▶ Fully reinsert the oil gauge dipstick and pull it out to check the oil level.
- ▶ If the oil level is halfway up the dipstick or below, refill with SAE 10W-30 oil through the dipstick hole until the oil level reaches 3/4 up the dipstick or until it reaches the bottom lip of the dipstick hole as shown.



Preparation

Oil Level

WARNING

Engine shipped without oil in crankcase. Before starting engine, fill with oil. Do not over-fill. Do not run the engine with a high or low oil level as this can cause engine damage. If you have further questions regarding the engine, please refer to the engine manual included with the unit.

- ▶ Turn the oil gauge dipstick counter clockwise; remove it and clean it with a clean cloth.

Always use SAE 10W-30 oil.

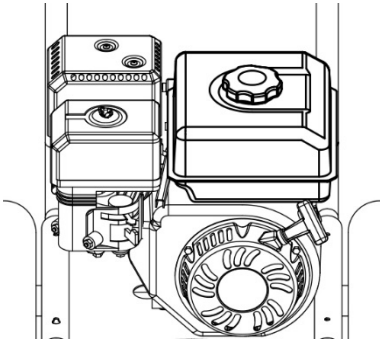
Oil crankcase capacity: 0.6L.

- ▶ Reposition the oil gauge dipstick and tighten it by turning clockwise.
- ▶ Engine oil should be changed after the first 5 hours, then every 50 hours.

Fuel Level

WARNING

Make sure there is enough fuel in the fuel tank before operating. This is a 4-cycle engine and does not require a gas/oil mixture. There is a separate reservoir for gas and a separate reservoir for oil.



- ▶ If it is necessary to add fuel, first make sure the engine is OFF, and then remove the fuel cap by turning it counter clockwise.
- ▶ When refueling, make sure the fuel filter is in place and keep in mind all safety precautions.
- ▶ Use clean unleaded gasoline with a minimum of 87 octane. DO NOT use old gas. DO NOT mix oil with gasoline.

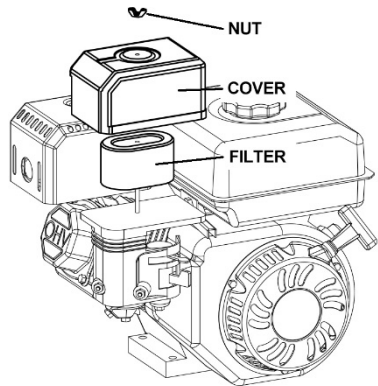
**Fuel tank capacity: .79 Gallons
(3.0 Lt)**

Air Filter

WARNING

The air filter should be checked after prolonged storage, the following steps should be done when checking the air filter. It is recommended to replace the air filter once every spring.

- ▶ Unscrew the nut on the cover counterclockwise. Remove the cover.

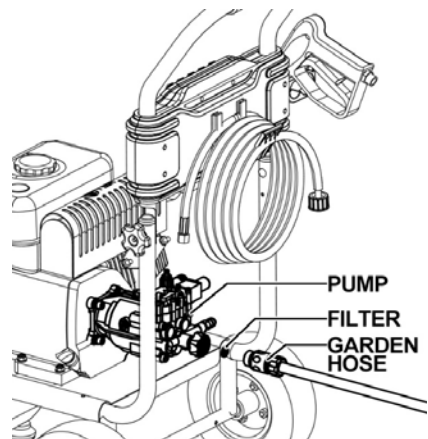


- ▶ Remove the air filter, wash filter in kerosene, squeeze kerosene out, soak filter in engine oil and squeeze engine oil out.
- ▶ Replace filter and replace the air filter cover.

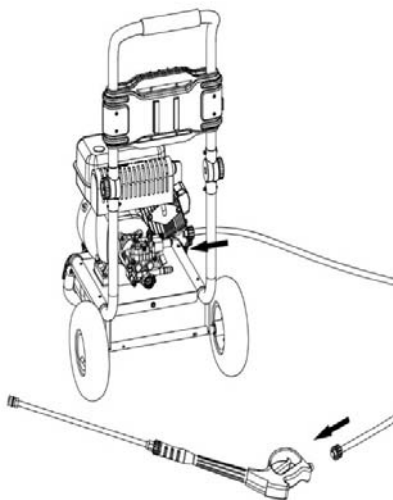
Operating Instructions

Starting Procedure:

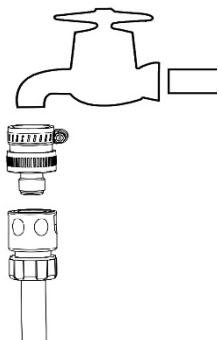
- ▶ Connect garden hose.



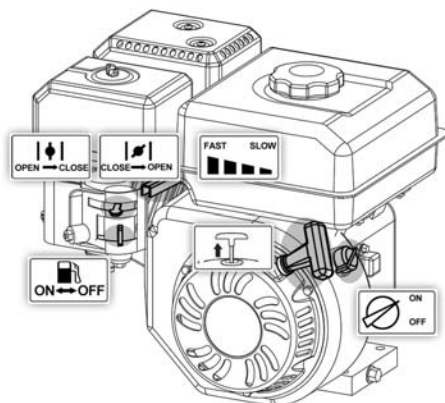
- ▶ Connect spray gun and pressure hose.



- ▶ Open water source.



- ▶ Start the Engine.



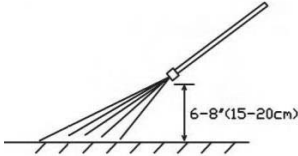
1. Turn the engine switch to "ON" position.
2. Move choke lever to "CLOSE" position.
3. Turn the fuel valve to "ON" position.
4. Put the throttle lever to the "FAST" position.
5. Pull trigger on spray gun to release pressure.
6. Locate recoil cord and pull slowly until resistance is felt. At this point, pull rapidly to start engine.
7. After the engine has started, turn the choke lever to "OPEN" position.

NOTE: If unable to start the engine, repeat the above operation one or two times.

NOTE: If the temperature is higher, such as during summer or if the engine is hot, choke valve should be switched to "OPEN" position before starting.

Cleaning Procedure:

- ▶ Position the tip of the wand 6-8" (15-20 cm) away from the surface to clean at a 45° angle.



Using the Accessories

Quick Connect Nozzles

The color-coded quick connect nozzles provide a wide array of spray widths from 0° to 65° and are easily accessible when placed in the convenient nozzle holder.



0° spray angle = Red nozzle

For particularly stubborn accumulation of grime. Not recommended for soft materials like sidings, decks, painted surfaces, cars.

15° spray angle = Yellow nozzle

For dirt accumulation over a surface.

25° spray angle = Green nozzle

For dirt accumulation over a large surface.

40° spray angle = White nozzle

For moderate dirt accumulation over a large surface.

Soap = Black nozzle

For operating with detergents or cleaning with low pressure.

CAUTION

High pressure in nozzle area. Risk of injury caused by improperly locked nozzle.

- Make sure you hear the "click" when inserting the nozzle tip into the quick connection.
- Pull the nozzle to make sure it is seated properly before operating your unit.

WARNING

To avoid serious injury never point spray nozzle at yourself, other persons or animals.

Adjusting Water Pressure

The pressure can be adjusted by changing the speed of the engine using the throttle lever.

Turning the throttle lever to the left can increase the speed to get more pressure.

Turning the throttle lever to the right can decrease the speed to get less pressure.

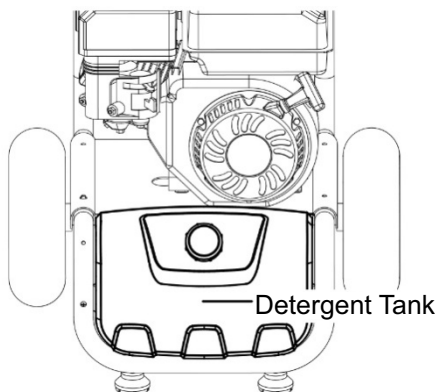
WARNING

When adjusting the engine throttle to the lowest setting, do not operate the pump. This can cause the engine to stall due to lack of power.

Working with Detergents

Detergents can only be applied with the black detergent nozzle.

- ▶ Install the black detergent nozzle for detergent application at low pressure.
- ▶ Fill the detergent tank with Kärcher Brand Detergent.



- ▶ With the engine running, pull trigger to operate unit.
- ▶ Liquid detergent is drawn into the unit and mixed with water.
- ▶ Apply detergent to work area.
- ▶ Do not allow detergent to dry on surface.
- ▶ Always flush the detergent bottle with fresh water when the cleaning job is done, to rinse/flush any remaining detergents from the injection system.

NOTE: For best results see Cleaning Tips for specific information on how to clean different surfaces.

CAUTION

This unit has been designed for use with cleaning detergents recommended by the manufacturer. The use of other cleaning detergent may affect the operation of the machine and void the warranty.

Always Use Kärcher Detergent for Best Results.

Kärcher biodegradable detergents are specially formulated to protect the environment and your pressure washer. The special formula won't clog the filter and will protect the internal parts of the pressure washer for a longer life. For Kärcher Detergents, check your retailer or visit our website:

www.karcherresidential.com

CAUTION

Never use:

- Bleach, chlorine products or other corrosive chemicals.
- Liquids containing solvents (i.e., paint thinners, gasoline, oils.)
- Tri-sodium phosphate products.
- Ammonia products.
- Acid-based products.

These chemicals will harm the unit and will damage the surface being cleaned.

Use of these items will void the warranty.

Taking a Break ...five minutes or more

- ▶ Move the engine stop switch to the OFF position.
For engine details see engine manual.
- ▶ Release trigger and engage safety lock.

Shutting Down & Clean Up

- ▶ If detergents have been used, insert 1 gallon of fresh water into Detergent Bottle. Siphon water at low pressure for one minute to clear the line of residual detergent.
- ▶ Move the engine stop switch to the OFF position. Close the fuel valve.
- ▶ Turn off the water source.
- ▶ Press trigger to release water pressure.
- ▶ Release trigger and engage gun safety lock.
- ▶ Disconnect the garden hose from the water inlet on the unit.
- ▶ Disconnect the high pressure hose from the high pressure outlet. Store the high pressure hose in the gun holder assembly.

Winterizing & Long-Term Storage

It is highly recommended to use Kärcher Pump Guard (part number 9.558-998.0) before winter storage and during the cleaning season to protect the pump from freezing and premature wear.

- ▶ Turn engine switch to the OFF position.
- ▶ Disconnect all hoses.
- ▶ Unscrew cap from Pump Guard bottle.
- ▶ Remove internal seal.
- ▶ Reattach cap to Pump Guard bottle and remove black protective cap.
- ▶ Screw bottle into water inlet on pressure washer pump and squeeze.
- ▶ With ignition OFF, pull starter rope until fluid starts to exit.
- ▶ Unscrew bottle. Store or dispose properly.

If Kärcher Pump Guard is unavailable, perform the following:

- ▶ Disconnect all water connections.
- ▶ Turn on the machine for a few seconds, until the water which remained in the pump exits. Turn off engine immediately.



CAUTION

Failure to follow the above directions may result in damage to the pump assembly and accessories and void the warranty.

Do not allow high pressure hose to become kinked.

Store machine and accessories in a room which does not reach freezing temperatures. DO NOT store near furnace or other sources of heat as it may dry out the pump seals.

Maintenance Instructions

Pump

Pump Inspection

You should routinely make a visual inspection of the pressure washer's pump. If you notice oil leaking around the pump seals, you should take the pressure washer to a Kärcher Authorized Service Center for repair. (You can locate a service center in your area online at: www.karcher-service.com).

Engine

Carry out maintenance tasks for the engine according to the specifications provided in the operating instructions provided by engine manufacturer.

Cleaning Tips

Deck Cleaning

With or Without Detergent

Pre-rinse deck and surrounding area with fresh water. If using Kärcher Deck Wash, apply to surface at low pressure. For best results, limit your work area to smaller sections of approximately 25 square feet. Allow Deck Wash to remain on surface 1-3 minutes. Do not allow detergent to dry on surface. Rinse at high pressure in a long sweeping motion keeping the spray nozzle approximately 3-6 inches

from the cleaning surface. Always clean from top to bottom and from left to right. When moving on to a new section of the cleaning surface, be sure to overlap the previous section to eliminate stop marks and ensure a more even cleaning result.

Cars, Boats & Motorcycles

With or Without Detergent

Pre-rinse vehicle with fresh water. If using Kärcher Touchless Vehicle Wash, apply to surface at low pressure. For best results, clean one side of vehicle at a time and always apply detergent from bottom to top, do not allow detergent to dry on surface. If needed, use special wash brush attachment (not included) to remove stubborn dirt. Rinse at high pressure in a sweeping motion keeping the spray nozzle approximately 6-8 inches from the cleaning surface (distance should increase when rinsing pin-striping or other sensitive surfaces). Always clean from top to bottom and from left to right. For best results, wipe surface dry with a chamois or soft dry cloth.

House Siding

With or Without Detergent

Pre-rinse cleaning surface with fresh water. If using Kärcher Pressure Wash, apply to surface at low pressure (for best results, limit your work area to sections of approximately 6 feet and always apply detergent from bottom to top). Allow detergent to remain on surface 1-3 minutes. Do not allow detergent to dry on surface, if surface appears to be drying, simply wet down surface with fresh water. If needed, use special wash brush attachment (not included) to remove stubborn dirt. Rinse at high pressure from top to bottom in an even sweeping motion keeping the spray nozzle approximately 6 inches from the cleaning surface.

Cement Patios, Brick & Stone

With or Without Detergent

Pre-rinse cleaning surface with fresh water. If using Kärcher Pressure Wash or Degreaser, apply to surface at low pressure. For best results, limit your work area to smaller sections of approximately 25 square feet. Allow Pressure Wash or Degreaser to remain on surface 1-3 minutes. Do not allow detergent to dry on surface. Rinse at high pressure in a sweeping motion keeping the spray nozzle approximately 3-6 inches from the cleaning surface. Always clean from top to bottom and from left to right. For

removing extremely stubborn stains, use a DirtBlaster® Spray Nozzle (sold separately).

Barbecue Grills, Outdoor Power Equipment & Gardening Tools

With or Without Detergent

Pre-rinse cleaning surface with fresh water. If using Kärcher Pressure Wash or Degreaser, apply detergent at low pressure. Allow Pressure Wash to remain on surface 1-3 minutes. Do not allow detergent to dry on surface. Rinse at high pressure keeping the spray nozzle approximately 3-6 inches from the cleaning surface. For removing extremely stubborn dirt, it may be necessary to move the spray nozzle even closer to the surface for greater dirt cutting action.

Patio & Lawn Furniture

With or Without Detergent

Pre-rinse furniture and surrounding area with fresh water. If using Pressure Wash, apply to surface at low pressure. Allow Pressure Wash to remain on surface 1-3 minutes. Do not allow detergent to dry on surface. If needed use special Wash Brush Attachment (not included) to remove stubborn dirt. Rinse at high pressure in a sweeping motion keeping the spray nozzle approximately 3-6 inches from the cleaning surface. For best results, clean from top to bottom and from left to right.

Recommendations

- Before cleaning any surface, an inconspicuous area should be cleaned to test spray pattern and distance for maximum cleaning results.
- If painted surfaces are peeling or chipping, use extreme caution as pressure washer may remove the loose paint from the surface.
- When using on surfaces which might come in contact with food, flush surfaces with plenty of drinking water.
- For additional cleaning tips, visit our website at www.karcherresidential.com

Optional Accessories

Optional accessories are available to further enhance your cleaning capabilities. These accessories are accurate as of the printing date of this manual. Please check our website:

www.karcherresidential.com for pricing and up to date information.

- Extension Hose
- DirtBlaster® Spray Nozzle
- Universal Wash Brush Kit

Troubleshooting

CAUTION

Remove the spark plug cable to prevent accidental ignition of the engine before making any repair.

Symptom	Cause	Solution
Engine Will Not Start	No Gasoline.	Fill Gas Tank.
	Choke is not in the correct position.	Slide lever out to closed position.
	Ignition switch is not in the correct position.	Turn Ignition switch on.
	Water pressure built up in the machine.	Squeeze the trigger to release the pressure.
	For additional engine problems refer to the engine manual.	
Unit Does Not Reach High Pressure	Diameter of garden hose is too small.	Replace with a 5/8 inch or larger garden hose.
	Water supply is restricted.	Check garden hose for kinks, leaks and blockage.
	Not enough inlet water supply.	Turn water on full force. Check garden hose for kinks, leaks or blockage.
	Water inlet filter is clogged.	Remove filter and rinse out in warm water.
	Black detergent nozzle is attached.	Remove black detergent nozzle and attach high pressure nozzle.
Output Pressure Varies High And Low	Not enough inlet water supply.	Turn water on full force. Check garden hose for kinks, leaks or blockage.

Symptom	Cause	Solution
Output Pressure Varies Between High And Low	Pump is sucking air.	Check that hoses and fittings are air tight. Turn off machine and purge pump by squeezing trigger gun until a steady flow of water emerges through the nozzle.
	Water inlet filter is clogged.	Remove filter and rinse out in warm water.
	Spray nozzle is obstructed.	Blow out or remove debris with a fine needle.
	Calcified gun, hose or spray wand.	Run distilled vinegar through detergent tank.
No Detergent	Detergent suction tube not properly connected to the machine.	Check connection.
	Detergent is too thick.	Dilute detergent, for best results use Kärcher detergent.
	Filter on detergent suction tube is clogged.	Run warm water through filter to remove debris.
	Damaged or clogged detergent suction tube.	Remove obstruction or replace detergent suction tube.
	A high pressure nozzle is attached.	Replace with black detergent nozzle.
	Spray nozzle is obstructed.	Blow out or remove debris with fine needle.
Garden Hose Connection Leaks	Loose fittings.	Tighten fittings.
	Missing/worn rubber washer.	Insert new washer.

Symptom	Cause	Solution
Spray Wand Leaks	Spray wand not properly attached.	Turn the swivel nut of the gun clockwise until connection is tight.
	Broken o-ring or plastic insert.	Visit www.karcher-help.com or locate a service center at www.karcher-service.com .
Pump Is Noisy	Not enough gas or engine oil.	Check that hoses and fittings are air tight. Turn off machine and purge pump by squeezing trigger gun until a steady flow of water emerges through the nozzle.
Water Leaks From Pump (Up To 10 Drop Per Minute Is Permissible)	Loose fittings.	Check fittings.
	Water seals are damaged or worn.	Visit www.karcher-help.com or locate a service center at www.karcher-service.com .
	Thermal protection device is activated.	Thermal protection device will auto reset. Do not run pump for more than 5 minutes without spraying.
Oil Drip	Oil seals are damaged or worn.	Visit www.karcher-help.com or locate a service center at www.karcher-service.com .

If the symptom you are experiencing is not listed above, or if the provided solutions do not solve your issue, please visit our extensive online troubleshooting database at:

www.karcher-help.com

Manual De Usuario Del Limpiador De Alta Presión



Por favor, lea y cumpla con estas instrucciones originales antes del uso inicial del aparato y guarde las mismas para que puedan ser utilizadas posteriormente o para los propietarios subsiguientes.

Contenidos

Vista General Del Modelo	ES-22
Instrucciones Importantes De Seguridad	ES-23
Instrucciones De Montaje	ES-25
Preparación	ES-27
Instrucciones De Operación	ES-29
Utilización De Los Accesorios	ES-30
Trabajar Con Detergentes	ES-32
Tomarse Un Descanso	ES-33
Apagado Y Limpieza	ES-33
Protección En El Invierno Y Almacenaje Prolongado	ES-33
Instrucciones De Mantenimiento	ES-34
Consejos De Limpieza	ES-34
Localización Y Reparación De Averías	ES-37

Vista General Del Modelo

1. Arma De Aerosol
2. Boquillas
3. Silenciador
4. Filtro De Aire
5. Palanca Del Acelerador
6. Palanca De Estrangulación
7. Válvula De Combustible
8. Tapa De Tanque De Detergente
9. Tanque De Detergente
10. Tapa Del Tanque De Combustible
11. Tanque De Combustible
12. Cordón De Mano
13. Interruptor Del Motor
14. Varilla Nivel De Aceite
15. Manguera De Presión
16. Conexión De Succión De Detergente
17. Salida De Bomba
18. Entrada De Bombas
19. Aliviar La Termo Válvula
20. Enchufe De Chispa

Especificaciones

G 3000	
Presión de trabajo	3000 PSI
Volumen de agua	2.4 GPM
Motor	OHV
Tipo de combustible	Unleaded Gas
Tamaño del tanque de combustible	.79 Gallons (3.0L)
Tipo de motor Aceite	SAE 10W-30

No. de parte	1.107-280.0
No. de serie	

Símbolos de aviso de seguridad

PELIGRO

Indica “una situación de peligro inminente que, si no se evita, puede causar lesiones graves e incluso la muerte”.

ADVERTENCIA

Indica “una situación de peligro potencial que, si no se evita, puede causar lesiones e incluso la muerte”

PRECAUCIÓN

Indica “una situación de peligro potencial que, si no se evita, puede causar lesiones de poca importancia o leves”, o daños materiales.

Instrucciones Importantes De Seguridad

ADVERTENCIA

Al utilizar este producto, tome siempre las precauciones básicas, incluidas las siguientes:

- Antes de la puesta en marcha, leer el manual de instrucción del fabricante del motor, especialmente las indicaciones de seguridad.

- Lea todas las instrucciones antes de usar el producto.
- Para reducir el riesgo de lesiones, es preciso vigilar atentamente si se usa el producto cerca de niños.
- Es necesario saber cómo parar rápidamente el producto y parar hemorragias. Estar familiarizado con los mandos.
- Estar atento, prestar atención a lo que se está haciendo.
- No ponga en funcionamiento el producto si está cansado o está bajo la influencia de alcohol o drogas.
- Mantenga la zona de trabajo libre de personas.
- No sobrecargar o colocar sobre un soporte inestable. Mantener el equilibrio en todo momento.
- Utilizar gafas de seguridad y protección de oídos.
- Seguir las instrucciones de mantenimiento especificadas en el manual.
- Para evitar riesgos, es necesario que las reparaciones y el montaje de piezas de repuesto sean realizados únicamente por personal entrenado.
- La presión de los neumáticos no debe superar 25 psi máx.

ADVERTENCIA

Riesgo de inyección o lesiones - no dirigir el chorro directamente sobre personas.

- Los chorros de alta presión pueden resultar peligrosos si se usan de forma incorrecta. No se debe dirigir el chorro a personas, animales, dispositivos eléctricos o al equipo mismo.

PELIGRO

No pulverizar sobre conexiones eléctricas, enchufes o aparatos.

- No usar ácidos, solventes, o cualquier material inflamable o alcalino en este producto. Estos productos pueden causar heridas físicas al operario y daños irreparables a la máquina.

ADVERTENCIA

La pistola rebota hacia atrás - sujetar con las dos manos.

- El seguro del gatillo de la pistola evita que el gatillo salte de forma involuntaria. El dispositivo de seguridad deberá ser ganchado cuando se estén reemplazando las boquillas o cuando no se este usando.

ADVERTENCIA

Los humos de escape de este producto contienen productos químicos que según el Estado de California pueden causar cáncer, defectos de nacimiento o reproducción. El funcionamiento de este equipo puede producir chispas que pueden provocar incendios forestales alrededor de la vegetación seca. Un supresor de chispas podría ser necesario. El operador debe contactar a las agencias locales de bomberos para leyes y regulaciones.

PRECAUCIÓN

Riesgo de asfixia: Use este producto únicamente en un área bien ventilada.

No use el aparato en interiores ni en un área reducida.

- Operar y reposar la máquina en una zona bien ventilada, donde no haya dispositivos con un piloto o llama abierta tales como bóiler, calentadores de agua, etc.

PRECAUCIÓN

Riesgo de incendio/explosión – No agregar gasolina a la máquina mientras esté en funcionamiento o aun caliente.

ADVERTENCIA

Riesgo de incendio/explosión: Utilice la máquina únicamente en lugares donde se permite el uso de llama abierta o soplete. No rocíe líquidos inflamables.

- No poner en funcionamiento si se ha derramado gasolina. Mueva la máquina a otro lugar para evitar que se produzcan chispas.
- La máquina tiene superficies calientes que pueden causar quemaduras. Poner en funcionamiento el aparato en un ambiente seguro y lejos de niños.
- No tocar las superficies calientes o permitir a los accesorios que estén en contacto con las superficies calientes.
- No dejar la máquina sin supervisión cuando esté en funcionamiento.
- Evitar inclinar la máquina hacia un lado.

Suministro De Agua (Sólo Agua Fría)

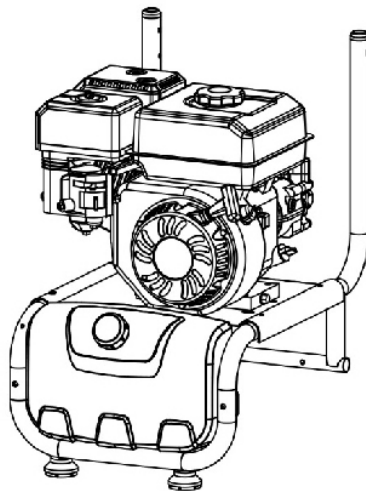
PRECAUCIÓN

Cuando conecte al suministro de agua principal, respete las normativas locales de la compañía municipal de agua. En algunas zonas de conexión directa al suministro público de agua potable puede requerir un dispositivo de prevención de flujo. Esto para asegurar que no entren productos químicos al suministro de agua. Utilice un filtro de agua para evitar un daño potencial de la sociedad en el suministro de agua.

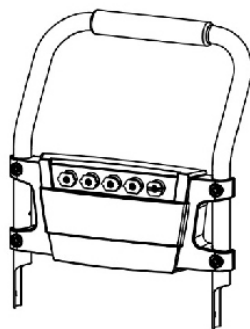
- La manguera del jardín debe tener al menos un diámetro de 5/8 pulgadas.
- El índice de flujo de agua no deben ser inferior a 9.5 L/Min (litros por minuto) (2.4 GPM - galones por minuto).
- El índice de flujo se puede determinar si se deja correr el agua durante un minuto en un contenedor vacío de 18.9 litros (5 galones).
- La temperatura de agua no debe exceder los 122°F/50°C.
- No usar la limpiadora de alta presión para agua contaminada con disolventes, por ejemplo para diluir pintura, gasolina, aceite etc.
- Evitar que entren escombros en la unidad, para ello use una fuente de agua limpia. Use un filtro adicional de agua.
- No ponga en funcionamiento la limpiadora de presión sin agua.

Instrucciones De Montaje

Lista De Partes



A - Marco Principal



B - Manija



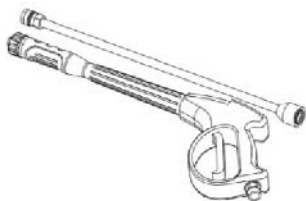
C - Pistola Gancho Y Gancho De La Manguera



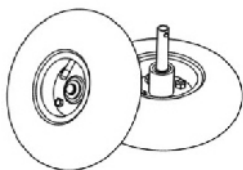
D - Perillas y Tornillos



E - Manguera De Presión



F - Pistola Aspersora y Lanza



G - Ruedas

Partes que no se muestra:

1 - Manual

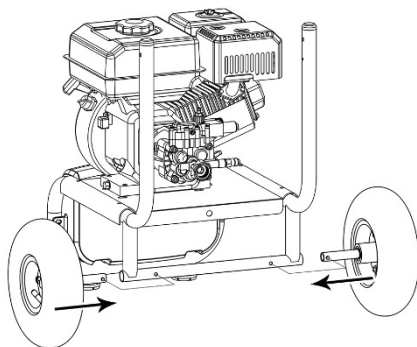
1 - Boquilla Aspiradora

1 - Llave del enchufe de chispa

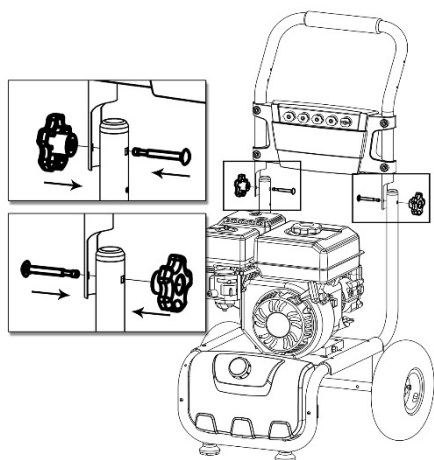
1 - Conjunto De Juntas Tóricas
(2 para Manguera De Presión, 1 para Pistola Aspersora)

Montaje

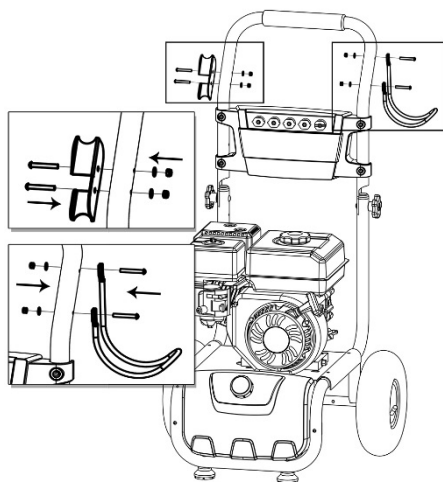
- Instale las ruedas en el bastidor principal presionando la clavija accionada por resorte sobre el eje de la rueda, luego inserte el eje de ruedas en el bastidor. Asegúrese de que la clavija de resorte quede fija en su lugar. Repita el procedimiento con la otra rueda.



- ▶ Acople la manija y el bastidor principal con botones y pernos.



- ▶ Acople los ganchos de la pistola y manguera a la manija.



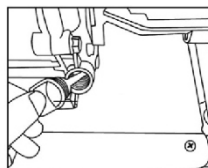
Preparación

Nivel De Aceite

⚠ ADVERTENCIA

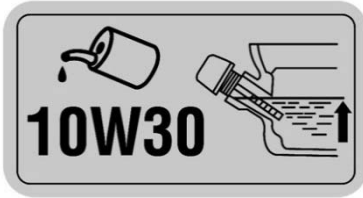
El motor se embarca sin aceite en el cárter. Antes de arrancar el motor, llene con aceite. No llene en exceso. No haga funcionar el motor con un nivel alto o bajo de aceite ya que se podría dañar. Si tiene preguntas adicionales con respecto al motor, por favor, consulte el manual de motor que se incluye con la unidad.

- ▶ Gire la varilla de nivel de aceite en sentido contrario a las agujas del reloj; retire la misma y séquela con un paño limpio



- ▶ Reinserte completamente la varilla de nivel de aceite y extráigala para controlar el nivel de aceite.
- ▶ Si el nivel de aceite está por la mitad de la varilla o por debajo de la mitad, llene con aceite SAE 10W-30 a través del orificio de la varilla hasta que llegue al nivel de $\frac{3}{4}$ en la misma o hasta que llegue al borde inferior el

orificio de la varilla de nivel, tal como se muestra..



Use siempre aceite SAE 10W-30.

Capacidad del cárter de aceite: 0.6 litro.

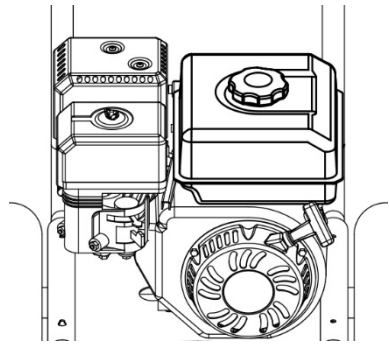
- ▶ Vuelva a colocar la varilla de nivel de aceite y ajuste la misma girándola en el sentido de las agujas del reloj.
- ▶ El aceite de motor se debe cambiar después de las primeras 5 horas y luego cada 50 horas.

Nivel De Combustible



ADVERTENCIA

Asegúrese de que haya suficiente combustible en el tanque de combustible antes de usar la unidad. Se trata de un motor de 4 ciclos y no necesita mezcla de gasolina/aceite. Hay un depósito separado para gasolina y un depósito separado para aceite.



- ▶ Si es necesario agregar combustible, en primer lugar asegúrese de APAGAR el motor y luego retire la tapa de combustible girando la misma en sentido contrario a las agujas del reloj.
- ▶ Cuando recargue combustible, asegúrese de que el filtro de combustible esté en su lugar y tenga presentes todas las precauciones de seguridad.
- ▶ Use gasolina limpia sin plomo con un octanaje mínimo de 87. NO use gasolina vieja. NO mezcle aceite con gasolina.

Capacidad del tanque de combustible: 0.79 galones (3.0 litro)

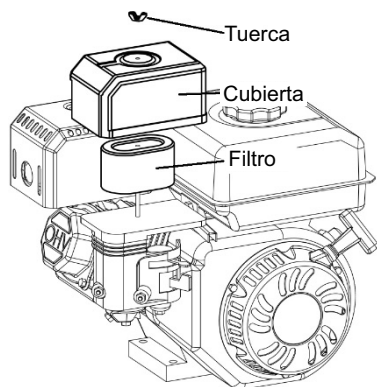
Filtro De Aire



ADVERTENCIA

Se debe inspeccionar el filtro de aire después del almacenamiento prolongado; al controlar el filtro de aire se deben realizar los siguientes pasos. Se recomienda cambiar el filtro de aire una vez en cada primavera.

- ▶ Desenrosque la tuerca de la cubierta en sentido contrario a las agujas del reloj. Retire la cubierta.

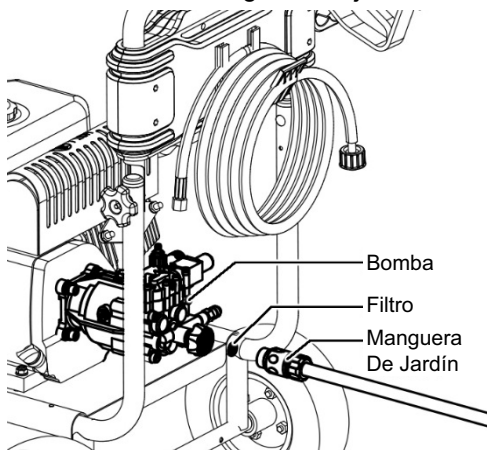


- ▶ Retire el filtro de aire, lave el filtro en queroseno, estruje para extraer todo el queroseno, remoje el filtro en aceite de motor y estruje para extraer todo el aceite.
- ▶ Vuelva a colocar el filtro y la cubierta del filtro de aire.

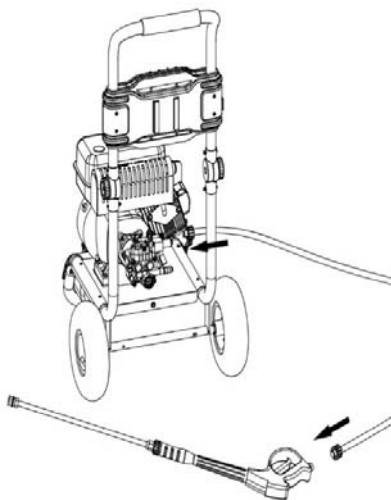
Instrucciones De Operación

Procedimiento de arranque:

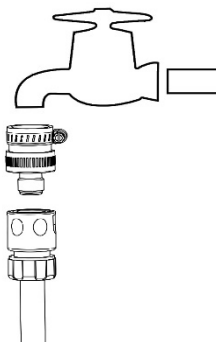
- ▶ Conecte la manguera de jardín.



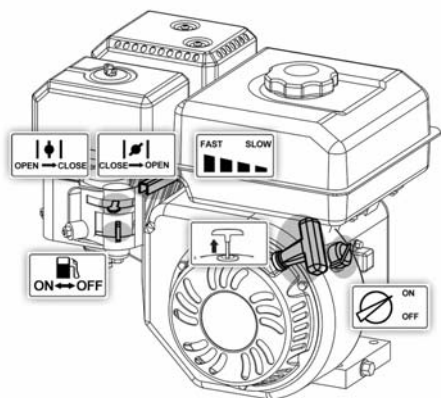
- ▶ Conecte la pistola aspersora y la manguera de presión.



- ▶ Abra el suministro de agua.



- ▶ Arranque el motor.



1. Gire el interruptor de motor a la posición "ON" (encendido).
2. Mueva la palanca del cebador a la posición "CLOSE" (cerrado).
3. Gire la válvula de combustible a la posición "ON" (encendido).
4. Coloque la palanca del regulador en la posición "FAST" (rápida).
5. Gatillo de la pistola para liberar la presión.
6. Ubique el cable de retroceso y jale suavemente hasta sentir resistencia. En este punto, jale rápidamente para arrancar el motor.

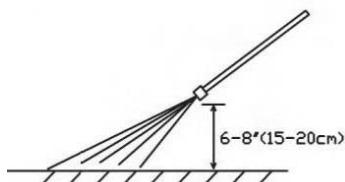
7. Después de que haya arrancado el motor, gire la palanca del cebador a la posición "OPEN" (abierto).

NOTE: Si no puede arrancar el motor, repita el paso anterior una o dos veces.

NOTE: Si la temperatura es más alta, como sucede en verano, o si el motor está caliente, la válvula del cebador se debe colocar en la posición "OPEN" (abierto) antes de arrancar.

Procedimiento de limpieza:

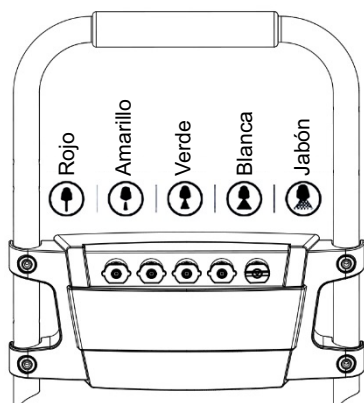
- ▶ Coloque la punta de la varilla a 6-8" (15-20 cm) de distancia de la superficie a limpiar en un ángulo de 45°.



Utilización De Los Accesorios

Boquillas de conexión rápida

Las boquillas de conexión rápida codificadas por colores ofrecen una gran variedad de anchos de pulverización de 0° a 65° y son de fácil acceso si se colocan en un práctico soporte de boquilla.



0° ángulo pulverizador = Boquilla roja

Por acumulación particularmente obstinada de mugre. No se recomienda para materiales blandos como apartaderos, cubiertas, superficies pintadas, coches.

15° ángulo pulverizador = Boquilla amarilla

Para suciedad sobre una superficie.

25° ángulo pulverizador = Boquilla verde

Para suciedad sobre una superficie grande.

40° ángulo pulverizador = Boquilla blanca

Para suciedad moderada sobre una superficie grande.

Jabón = boquilla de detergente negra

Para trabajar con detergente o limpiar con una presión muy baja.

⚠ PRECAUCIÓN

Alta presión en la zona de la boquilla. Riesgo de lesiones causados por una boquilla mal cerrada.

- Asegúrese de oír el "clic" al insertar la punta de la boquilla en la barra.
- Tirar de la boquilla para asegurarse de está bien colocada antes de poner en funcionamiento la unidad.

⚠ ADVERTENCIA

Para evitar heridas graves, nunca dirija la boquilla pulverizadora hacia usted mismo, hacia otras personas o hacia animales.

Ajuste de la Presión de Agua

La presión se puede ajustar cambiando la velocidad del motor mediante la palanca del regulador.

Girando la palanca del regulador hacia la izquierda se puede aumentar la velocidad para generar más presión.

Girando la palanca del regulador hacia la derecha se puede disminuir la velocidad para generar menos presión.

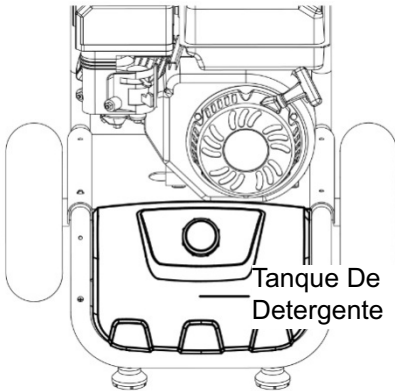
⚠ ADVERTENCIA

Cuando ajuste el regulador del motor en el valor más bajo, no ponga la bomba en funcionamiento. Esto podría hacer atascar el motor debido a falta de energía.

Trabajar Con Detergentes

Sólo se pueden aplicar detergentes con la boquilla de detergente negra.

- ▶ Colocar la boquilla de detergente negra para aplicar detergente a baja presión.
- ▶ Llene el depósito de detergente con Kärcher Brand Detergent.



- ▶ Con el motor en marcha, tirar del gatillo para poner el equipo en funcionamiento.
- ▶ El detergente líquido se introduce en el equipo y se mezcla con agua.
- ▶ Aplicar detergente al área de trabajo.
- ▶ No permitir que el detergente se seque sobre la superficie
- ▶ Enjuague siempre el depósito de detergente con agua dulce cuando termine la tarea de limpieza, para enjuagar/eliminar con el chorro cualquier detergente que haya quedado en el sistema de inyección.

NOTE: Para obtener los mejores resultados, consulte los Consejos de Limpieza donde encontrará información específica sobre cómo limpiar diferentes superficies.

⚠ PRECAUCIÓN

Siga las instrucciones de mantenimiento especificadas en el manual. Este aparato ha sido diseñado para ser utilizado con detergentes de limpieza del fabricante. El uso de otros detergentes de limpieza puede afectar al funcionamiento del aparato y hacer que deje de tener validez la garantía

Utilice siempre detergente Kärcher para obtener los mejores resultados.

Los detergentes biodegradables de Kärcher han sido especialmente formulados para proteger el medio ambiente y el limpiador a presión. Su fórmula especial no obstruirá el filtro del tubo de succión y protegerá las piezas internas del limpiador de alta presión para que su vida útil sea más larga. Para adquirir los detergentes Kärcher, diríjase a su comerciante minorista o llame a nuestro centro de asistencia si necesita ayuda.

www.karcherresidential.com

⚠ PRECAUCIÓN

No utilice nunca:

- Lejía, productos que contengan cloro u otro tipo de productos químicos corrosivos.
- Líquidos que contengan disolventes (p. ej., diluyentes de pintura, gasolina, aceites)
- Productos de fosfato trisódico.
- Productos con amoníaco.
- Productos con amoníaco.

Los productos químicos mencionados dañarán la unidad y dañarán la superficie que se limpie

El uso de estos productos invalidará la garantía.

Tomarse Un Descanso... de cinco minutos o más

- ▶ Mover el interruptor de parada del motor a la posición OFF. Consulte el manual del motor para más información sobre el motor
- ▶ Suelte el gatillo y accione el pestillo de seguridad de la pistola.

Apagado Y Limpieza

- ▶ Si se han utilizado detergentes, inserte 1 galón de agua dulce en el depósito de detergente. Sacar agua a baja presión durante un minuto.
- ▶ Mover el interruptor de parada del motor a la posición OFF. Cerrar la válvula de combustible.
- ▶ Cierre el grifo del agua.
- ▶ Presione el gatillo para liberar la presión del agua.
- ▶ Suelte el gatillo y accione el pestillo de seguridad de la pistola.
- ▶ Desconecte la manguera de jardín de la toma de agua de la unidad.
- ▶ Desconecte la manguera de alta presión de la salida de alta presión.

Protección En El Invierno Y Almacenaje Prolongado

Es altamente recomendable usar Lubricante/ Anticongelante de Kärcher

(número de parte 9.558-998.0) antes del almacenamiento invernal para proteger la bomba de la congelación y del desgaste prematuro.

- ▶ Apague la lavadora a presión.
- ▶ Desconecte todas las mangueras.
- ▶ Desconecte la tapa del bote Lubricante.
- ▶ Quite el sello interno.
- ▶ Conecte nuevamente la tapa al bote.
- ▶ Instale la botella en la entrada de la hidrolavadora y presione la botella.
- ▶ Con la máquina apagada tire de la cuerda del arrancador hasta que el fluido salga.
- ▶ Desconecte el bote, disponga de él apropiadamente.

Si no hay Kärcher Pump Guard disponible, realice lo siguiente:

- ▶ Desconecte todas las conexiones de agua.
- ▶ Encienda la máquina unos segundos, hasta que salga el agua que había quedado en la bomba. Apague el motor inmediatamente.
- ▶ No deje que la manguera de alta presión se retuerza.
- ▶ Almacene la máquina y los accesorios en un ambiente donde no se alcancen temperaturas de congelamiento. NO almacene cerca de un horno u otras fuentes de calor, ya que los sellos de la bomba se podrían resecar.

No seguir las indicaciones anteriores puede resultar en daños a la bomba y los accesorios y anulará la garantía.



PRECAUCIÓN

Si no se cumplen las instrucciones mencionadas arriba, el grupo de la

bomba y los accesorios sufrirán daños y anulara su garantía.

Instrucciones De Mantenimiento

Bomba

Inspección de la bomba

Debe realizar una inspección visual de rutina de la bomba de la limpiadora a presión. Si ve que pierde aceite en las juntas de la bomba, lleve la limpiadora a presión a un servicio técnico autorizado de Kärcher. (Puede localizar a un servicio técnico en su zona online en www.karcher-service.com).

Motor

Llevar a cabo las tareas de mantenimiento del motor de acuerdo con las especificaciones indicadas en las instrucciones de funcionamiento del fabricante del motor.

Consejos De Limpieza

Limpieza de cubiertas

Con o sin Detergente

Preenjuague la cubierta y el área circundante con agua limpia. Si utiliza Deck Wash de Kärcher, aplíquelo en la superficie a baja presión. Para obtener mejores resultados, divida el área de trabajo e aprox. 2.3 m² (25 pies²). Deje el Deck Wash sobre la superficie durante 1-3 minutos. No deje que se seque el detergente sobre la superficie. Enjuague a alta presión mediante un movimiento de barrido, manteniendo la boquilla pulverizadora a aprox. 8-15 cm (3-6 pulgadas) de la superficie a limpiar. Limpie siempre de arriba a abajo y de izquierda a derecha. Cuando pase a la siguiente sección de la superficie a limpiar, asegúrese de solapar la nueva sección con la sección anterior para evitar que queden marcas de parada y garantizar, así, un resultado homogéneo.

Autos, Barcas & Motocicletas

Con o sin Detergente

Preenjuague el vehículo con agua limpia. Si utiliza Touchless Vehicle Wash de Kärcher, aplíquelo en la superficie a baja presión. Para obtener mejores resultados, limpie un lado del vehículo cada vez y aplique siempre el detergente de abajo a arriba. No deje que el detergente se seque sobre la

superficie. Si es necesario, utilice un accesorio especial con cepillo de lavado (no incluido) para quitar la suciedad difícil. Enjuague a alta presión mediante un movimiento de barrido y manteniendo la boquilla pulverizadora a aprox. 15-20 cm (6-8 pulgadas) de la superficie a limpiar (la distancia se debe incrementar en el caso de que se enjuaguen superficies con ranuras u otras superficies delicadas). Limpie siempre de arriba a abajo y de izquierda a derecha. Para obtener mejores resultados, seque la superficie con una gamuza o un trapo suave y seco.

Revestimiento de la casa

Con o sin Detergente

Preenjuague la superficie a limpiar con agua limpia. Si utiliza Pressure Wash de Kärcher, aplíquelo a la superficie a baja presión (para obtener mejores resultados, divida la zona de trabajo en secciones de aproximadamente 1.8 metros (6 pies) y aplique siempre el detergente de abajo a arriba. Deje el Pressure Wash sobre la superficie durante 1-3 minutos. No deje secar el detergente sobre la superficie. Si ve que la superficie se va a secar, simplemente moje la superficie con agua limpia. Si es necesario, utilice un accesorio especial con cepillo de lavado (no incluido) para quitar la suciedad difícil. Enjuague a alta presión mediante un movimiento de barrido homogéneo, manteniendo la boquilla pulverizadora a aprox. 15 centímetros de la superficie a limpiar.

Patios de cemento, ladrillos y piedra

Con o sin Detergente

Preenjuague la superficie a limpiar con agua limpia. Si utiliza Pressure Wash o Degreaser de Kärcher, aplíquelo en la superficie a baja presión. Para obtener mejores resultados, divida el área de trabajo en pequeñas secciones de aprox. 2.3 m² (25 pies²). Deje el Pressure Wash o Degreaser sobre la superficie durante 1-3 minutos. No deje que se seque el detergente sobre la superficie. Enjuague a alta presión mediante un movimiento de barrido, manteniendo la boquilla pulverizadora a aprox. 7-5 cm (3-6 pulgadas) de la superficie a limpiar. Limpie siempre de arriba a abajo y de izquierda a derecha. Para quitar manchas especialmente difíciles, utilice una boquilla DirtBlaster® (se vende por separado).

Parrillas, equipos con motor exteriores y herramientas de jardín

Con o sin Detergente

Preenjuague la superficie a limpiar con agua limpia. Si utiliza Pressure Wash de Kärcher o Degreaser, aplique el detergente a baja presión. Deje el Pressure Wash sobre la superficie 1-3 minutos. No deje que el detergente se seque sobre la superficie. Enjuague a alta presión manteniendo la boquilla pulverizadora a aprox. 8-15 cm (3-6 pulgadas) de la superficie a

limpiar. Para quitar suciedad especialmente difícil, puede ser necesario tener que poner la boquilla pulverizadora más cerca para que la potencia de limpieza sea mayor.

Mobiliario de patios y jardines

Con o sin Detergente

Preenjuague el mueble y el área circundante con agua limpia. Si utiliza Pressure Wash de Kärcher, aplíquelo a la superficie a baja presión. Deje el Pressure Wash sobre la superficie durante 1-3 minutos. No deje que se seque el detergente sobre la superficie. Si es necesario, utilice un accesorio especial con cepillo de lavado (no incluido) para quitar la suciedad difícil. Enjuague a alta presión mediante un movimiento de barrido, manteniendo la boquilla pulverizadora a aprox. 8-15 cm (3-6 pulgadas) de la superficie a limpiar. Para obtener mejores resultados, limpie de arriba a abajo y de izquierda a derecha.

Recomendaciones

- Antes de limpiar cualquier superficie, se debe limpiar una parte de la misma que no se vea para probar el ajuste del pulverizado y la distancia para obtener los mejores resultados de limpieza.
- Si las superficies pintadas se están pelando o desconchando, extreme las precauciones, ya que el limpiador a presión podría arrancar la pintura suelta de la superficie.

- Cuando se utilice en superficies que puedan entrar en contacto con comida, enjuáguelas abundantemente con agua potable.
- Para consejos adicionales de limpieza, visita nuestra página web en: www.karcherresidential.com

Accesorios opcionales

Disponemos de accesorios de limpieza opcionales para mejorar la capacidad de limpieza. Estos accesorios son precisos desde la fecha de impresión de este manual. Consulte nuestra página Web: www.karcherresidential.com para obtener información acerca de precios e información actualizada.

- Extensión de Manguera
- Boquilla DirtBlaster®
- Kit de Cepillo Limpiador Universal

Localización Y Reparación De Averías



PRECAUCIÓN

Quitar el cable de enchufe de chispas para evitar que el motor se encienda de forma involuntaria antes de realizar cualquier reparación.

Síntoma	Causa	Solución
El Motor No Arranca	No hay gasolina.	Llenar el depósito de gasolina.
	El estrangulador no está en la posición correcta.	Deslizar la palanca del estrangulador de la posición de cerrado.
	El interruptor de encendido no está en la posición correcta.	Active el interruptor de encendido
	Presión de agua formada en la máquina.	Apretar el gatillo para liberar presión.
	Si tiene más problemas con el motor consulte el manual del motor.	
La Unidad No Llega A La Alta Presión	El diámetro de la manguera de jardín es demasiado pequeño.	Sustituir con una manguera de jardín de 5/8 pulgadas o más.
	El suministro de agua está restringido.	Compruebe si la manguera de jardín tiene grietas, fugas o si está obstruida.
	El suministro de agua de entrada no es suficiente.	Abra el grifo de agua del todo. Compruebe si la manguera de jardín tiene grietas, fugas o si está obstruida.

Síntoma	Causa	Solución
La Unidad No Llega A La Alta Presión	El fi ltro de entrada de agua está obstruido.	Quite el fi ltro y enjuáguelo en agua caliente.
	La boquilla de detergente negra está conectada.	Quitar la boquilla de detergente negra y colocar la boquilla para alta presión.
La Presión De Salida Varía Entre Alta Y Baja Presión	El suministro de agua de entrada no es suficiente.	Abra el grifo de agua del todo. Compruebe si la manguera de jardín tiene grietas, fugas o si está obstruida.
	La bomba está succionando aire.	Compruebe que las mangueras y conectores están bien apretados. Apague el aparato y purgue la bomba apretando la pistola de disparo hasta que salga un caudal constante de la boquilla.
	El fi ltro de entrada de agua está obstruido.	Remueva el fi ltro y enjuáguelo en agua caliente.
	La boquilla pulverizadora está obstruida.	Limpie con aire comprimido o quite la suciedad con una aguja fina.
	Pistola, manguera o barra pulverizadora calcificados.	Vierta vinagre destilado por el tubo de succión de detergente.
No Entra Detergente	El tubo de succión de detergente no está correctamente conectado al aparato.	Compruebe la conexión.
	El detergente está demasiado espeso.	Diluya el detergente. Para obtener mejores resultados utilice detergente Kärcher.
	El fi ltro del tubo de succión de detergente está obstruido.	Deje correr agua caliente por el fi ltro para quitar la suciedad.

Síntoma	Causa	Solución
No Entra Detergente	El tubo de succión de detergente está dañado u obstruido.	Quite la obstrucción o reemplace el tubo de succión de detergente.
	Está colocada una boquilla de alta presión.	Sustituir por una boquilla de detergente negra.
	La boquilla pulverizadora está atascada.	Limpie con aire comprimido o quite la suciedad con una aguja fina.
La Conexión De La Manguera De Jardín Fuga	Las conexiones están sueltas.	Apriete las conexiones.
	No hay arandela de caucho o está desgastada.	Inserte una arandela nueva.
La Barra Pulverizadora Fuga	La barra pulverizadora no está montado correctamente.	Girar la ranura giratoria de la pistola en el sentido de las agujas del reloj hasta ajustar la conexión.
	Anillo tórico o inserción de plástico rotos.	Visite www.karcher-help.com o localice un centro de servicio en www.karcher-service.com .
La Bomba Hace Ruido	La bomba está succionando aire.	Compruebe que las mangueras y conectores están bien apretados. Apague el aparato y purgue la bomba apretando la pistola de disparo hasta que salga un caudal constante de la boquilla.

Síntoma	Causa	Solución
Fuga Agua De La Bomba (Hasta 10 Gotas Por Minuto Es Permisible)	Las conexiones están sueltas.	Compruebe las conexiones.
	Las juntas de estanqueidad de agua están dañadas o desgastadas.	Visite www.karcher-help.com o localice un centro de servicio en www.karcher-service.com .
	La protección térmica del dispositivo está activada.	La protección térmica del dispositivo se reestablecerá automáticamente. No poner la bomba en funcionamiento durante más de 5 minutos sin pulverizar.
Goteo De Aceite	La juntas de estanqueidad de aceite están dañadas o desgastadas.	Visite www.karcher-help.com o localice un centro de servicio en www.karcher-service.com .

Si el síntoma que usted esta experimentando no esta en la lista de arriba, o si las soluciones aportadas no resuelven su problema, por favor visite nuestra extensa base de datos en línea de solución de problemas en:

www.karcher-help.com

Manuel D'instructions Pour Laveuse À Haute Pression



Veuillez lire et vous confirmer à ces instructions originales avant la première utilisation de votre appareil et conservez-les pour votre utilisation future ou celle des propriétaires subséquents.

Contenu

Aperçu Du Modèle	FR-42
Mesures De Sécurité Importantes	FR-43
Instructions De Montage	FR-45
Préparation	FR-47
Instructions De Fonctionnement	FR-49
Utilisation Des Accessoires	FR-50
Travailler Avec Des Détergents	FR-52
Prendre Une Pause	FR-53
Arrêt Et Entretien	FR-53
Entreposage À Long Terme Et Pour Hiver	FR-53
Instructions D'entretien	FR-54
Conseils De Nettoyage	FR-54
Guide De Dépannage	FR-57

Aperçu Du Modèle

1. Pistolet De Pulvérisation
2. Buses
3. Silencieux
4. Filtre À Air
5. Levier D'accélérateur
6. Levier De Starter
7. Robinet De Carburant
8. Bouchon De Réservoir Détergent
9. Réservoir De Détergent
10. Bouchon De Réservoir De Carburant
11. Réservoir De Carburant
12. Cordon De Main
13. Contacteur De Moteur
14. Jauge D'huile
15. Tuyau De Pression
16. Raccordement d'aspiration détergent
17. Sortie De Pompe
18. D'aspiration Des Pompes
19. Soulager La Vanne Thermique
20. Bougie D'allumage

Spécifications

G 2700 C 0722

Pression De Service	3000 PSI
Volume D'eau	2.4 GPM
Moteur	OHV
Type De Carburant	Unleaded Gas
Taille Du Réservoir De Carburant	.79 Gallons (3.0L)
Type D'huile Moteur	SAE 10W-30

Numéro De Modèle	1.107-280.0
Numéro De Série	

Symbole d'alerte de sécurité

DANGER

Indique «une situation à risque imminent, laquelle si elle n'est pas évitée, entraînera des blessures sérieuses ou la mort».

AVERTISSEMENT

Indique «une situation à risque potentiel, laquelle si elle n'est pas évitée, pourrait entraîner des blessures ou la mort».

MISE EN GARDE

Indique «une situation à risque potentiel, laquelle si elle n'est pas évitée, peut causer des blessures mineures ou légères, ou des dommages matériels».

Mesures De Sécurité Importantes

AVERTISSEMENT

Lorsque vous utilisez ce produit, les précautions de base devraient toujours être suivies, incluant celles-ci:

- Veuillez lire les instructions d'utilisation et suivre attentivement les consignes de sécurité du fabricant avant la mise en marche du moteur.

- Lisez toutes les instructions avant d'utiliser le produit.
- Pour réduire le risque de blessures, une étroite surveillance est nécessaire lorsqu'un appareil est utilisé à proximité d'un enfant.
- Sachez comment rapidement arrêter et purger la pression du produit. Soyez entièrement familier avec les commandes.
- Demeurez alerte - Portez attention à ce que vous faites.
- N'utilisez pas cet appareil lorsque vous êtes fatigués ou sous l'influence d'alcool ou de drogues.
- Assurez-vous qu'il n'y ait personne dans la zone environnant l'utilisation.
- Ne travaillez pas hors de portée ou ne montez pas sur un support instable. Maintenez un bon appui et restez en équilibre en tout temps.
- Portez des lunettes de sécurité et un protecteur auditif.
- Suivez les instructions d'entretien spécifiées dans le manuel.
- Pour éviter les risques, les réparations et le remplacement de pièces de rechange devraient être effectués par du personnel qualifié seulement.
- La pression des pneus ne doit pas dépasser 25 psi max.

AVERTISSEMENT

Risque d'injection ou de blessures - Ne diffusez pas le jet directement sur des personnes.

- Les jets à haute pression peuvent être dangereux s'ils ne sont pas utilisés adéquatement. Ils ne doivent pas être dirigés directement vers des

personnes, des animaux, des appareils électriques ou vers l'appareil.

DANGER

Ne vaporisez pas les raccordements électriques, les prises de courant ou les luminaires.

- N'utilisez pas d'acides, de solvants ou toutes matières inflammables ou alcalines avec ce produit. Ces produits peuvent causer des blessures à l'opérateur ainsi que des dommages irréversibles à l'appareil.

AVERTISSEMENT

Effet de recul du pistolet – Tenez-le bien avec les deux mains.

- Le verrou de sécurité du pistolet à gâchette prévient le déclenchement accidentel de la gâchette. Cette caractéristique de sécurité doit être engagée lorsque vous remplacez les buses ou lorsqu'elles ne sont pas utilisées.

AVERTISSEMENT

Les émanations d'échappement émises par ce produit contiennent des produits chimiques reconnus par l'état de la Californie comme étant cancérogènes, pouvant causer des anomalies congénitales ou d'autres dommages au système reproducteur. L'utilisation de cet équipement peut causer des étincelles pouvant provoquer des incendies autour de végétations sèches. Un pare-étincelles peut être requis. L'opérateur devrait contacter les agences locales de services d'incendie pour obtenir les lois et les réglementations.

MISE EN GARDE

Risque d'asphyxie - Utilisez ce produit uniquement dans un endroit bien ventilé. Ne l'utilisez pas à l'intérieur ou dans un espace restreint.

- Utilisez et remplissez l'appareil avec du carburant dans un endroit bien aéré, libre d'appareils disposant d'une flamme pilote ou d'une source de flamme telle chaudière, chauffe-eau, etc.

MISE EN GARDE

Risque d'incendie ou d'explosion – N'ajoutez pas de carburant lorsque l'appareil est en marche ou chaud.

AVERTISSEMENT

Risque d'incendie ou d'explosion -- Utilisez uniquement dans des endroits où on peut utiliser une flamme nue ou une torche. Ne pulvérisez pas de liquides inflammables.

- N'utilisez pas l'appareil si du carburant a été renversé. Déplacez l'appareil dans un autre endroit et évitez de provoquer des étincelles.
- Cet appareil comporte des surfaces chaudes pouvant causer des brûlures. Utilisez dans un environnement sécuritaire et éloigné des enfants.
- Ne touchez pas aux surfaces chaudes ou ne laissez pas les accessoires entrer en contact avec les surfaces chaudes.
- Ne laissez pas l'appareil en marche sans surveillance.

- Évitez de basculer l'appareil sur le côté.

Approvisionnement En Eau (Eau Froide Seulement)

MISE EN GARDE

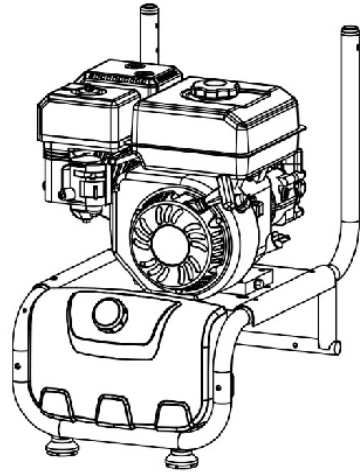
Lorsque vous vous branchez à une conduite d'alimentation d'eau, vous devez respecter les réglementations locales de votre service municipal d'alimentation en eau potable. Dans certains endroits, le branchement direct à une conduite d'alimentation publique en eau potable pourrait nécessiter un dispositif de prévention pour refoulement d'eau. Cela permet de s'assurer qu'il n'y aura aucune rétroaction de produits chimiques dans l'alimentation d'eau. Utilisez un filtre à eau pour prévenir les dommages potentiels provoqués par la saleté retrouvée dans l'alimentation d'eau.

- Le tuyau d'arrosage doit avoir un diamètre d'au moins 1,58 cm (5/8 po).
- Le débit en alimentation d'eau ne doit pas être inférieur à 9,5 lpm (litre par minute) (2,4 gpm - gallons par minute).
- Le débit peut être déterminé en faisant couler l'eau pendant une minute dans un contenant vide de 18,9 litres (5 gallons).
- La température en alimentation d'eau ne doit pas être supérieure à 104 °F/ 40 °C.

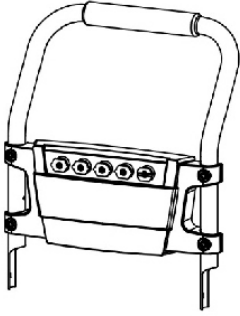
- N'utilisez jamais la laveuse à pression pour puiser de l'eau contaminée avec des solvants, par exemple du diluant à peinture, du carburant, de l'huile, etc.
- Veuillez toujours empêcher les débris d'être aspirés dans l'appareil en vous assurant d'utiliser une source d'eau propre. Utilisez un filtre à eau additionnel.
- N'utilisez pas la laveuse à pression sans que le robinet d'eau ne soit ouvert.

Instructions De Montage

Liste Des Pièces



A - Cadre Principal



B - Poignée



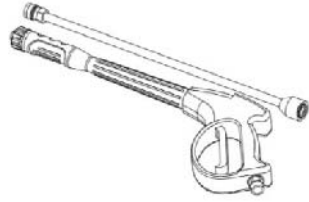
C - Pistolet Crochet & Tuyau Crochet



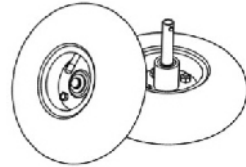
D - Boutons & Boulons



E - Tuyau De Pression



F - Pistolet De Pulvérisation & Wand



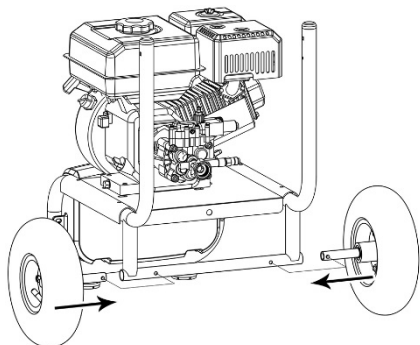
G - Roues

Pièces non illustrés:

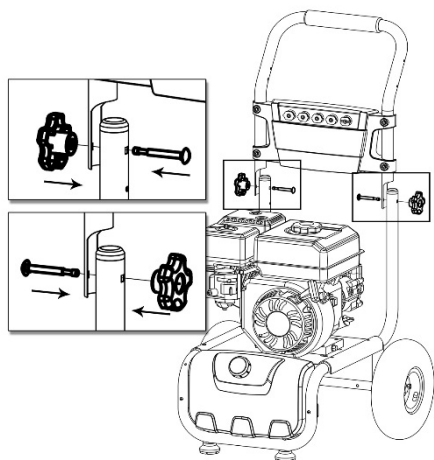
- 1 - Manuelle
- 1 - Suceur aspirateur
- 1 - Clé à bougie
- 1 - Jeu De Joints Toriques
(2 pour Tuyau De Pression, 1 pour
Pistolet De Pulvérisation)

Montage

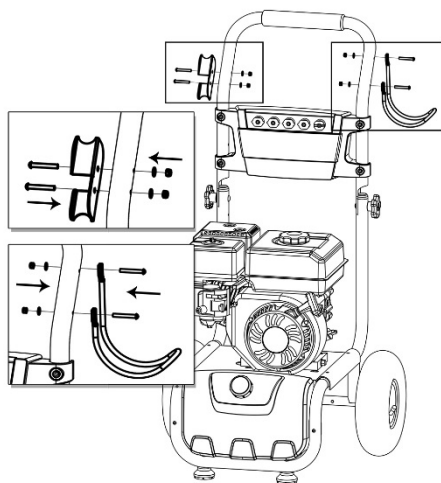
- Installez les roues sur le cadre principal en appuyant la tige à ressort sur l'essieu, puis insérez l'essieu dans le cadre. Assurez-vous que la tige à ressort est fixée en position. Répétez l'opération pour l'autre roue.



- Fixez la poignée et le cadre principal avec les boutons et les boulons.



- Fixez les crochets pour le pistolet et le boyau à la poignée.



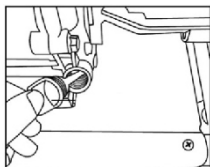
Préparation

Niveau D'huile

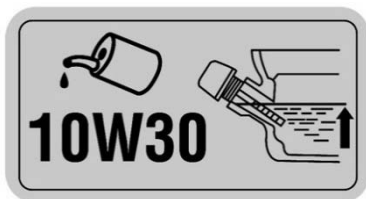
AVERTISSEMENT

Le moteur est expédié sans huile dans le carter. Remplissez le carter d'huile avant de démarrer le moteur. Ne remplissez pas trop. Ne faites pas fonctionner le moteur si le niveau d'huile est trop haut ou trop bas puisque cela pourrait endommager le moteur. Pour toute autre question au sujet du moteur, veuillez consulter le manuel du moteur compris avec l'appareil.

- ▶ Tournez la jauge à huile dans le sens antihoraire; retirez-la et nettoyez-la avec un chiffon propre.



- ▶ Réinsérez entièrement la jauge à huile et ressortez-la pour vérifier le niveau d'huile.
- ▶ Si le niveau d'huile est à mi-hauteur de la jauge ou au-dessous, remplissez avec de l'huile SAE 10W-30 par le trou de la jauge jusqu'à ce que le niveau d'huile atteigne le 3/4 de la hauteur de la jauge ou jusqu'à ce qu'il atteigne la lèvre inférieure du trou de la jauge comme montré.



Utilisez toujours de l'huile SAE 10W-30.

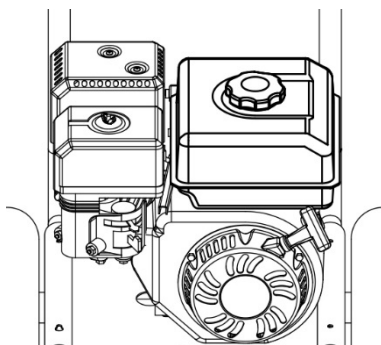
Capacité du carter d'huile : 0,6 litre.

- ▶ Remettez en place la jauge à huile et serrez-la en tournant dans le sens horaire.
- ▶ L'huile du moteur devrait être changée après les 5 premières heures, puis ensuite toutes les 50 heures.

Niveau De Carburant

⚠ AVERTISSEMENT

Assurez-vous qu'il y a suffisamment de carburant dans le réservoir à carburant avant l'utilisation. Ceci est un moteur à 4 temps qui ne nécessite pas un mélange d'essence et d'huile. Il y a un réservoir distinct pour l'essence et un réservoir distinct pour l'huile.



- ▶ S'il devient nécessaire d'ajouter du carburant, assurez-vous d'abord d'arrêter le moteur puis enlevez le bouchon du réservoir de carburant en le tournant dans le sens antihoraire.
- ▶ Assurez-vous que le filtre à essence est en place lors du remplissage et gardez à l'esprit toutes les précautions de sécurité.
- ▶ Utilisez de l'essence sans plomb propre avec un indice d'octane minimal de 87. N'UTILISEZ PAS de vieille essence. NE MÉLANGEZ PAS d'huile avec l'essence.

Capacité du réservoir de carburant : 3,0 litre (0,79 gallon)

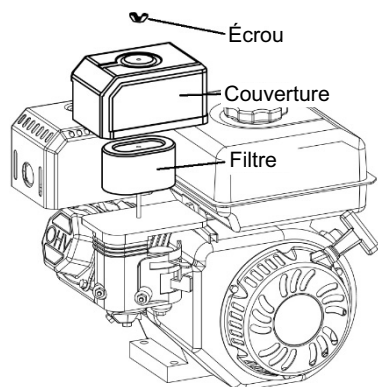
Filtre À Air



AVERTISSEMENT

Le filtre à air devrait être vérifié après un entreposage prolongé. Complétez les étapes suivantes lors de la vérification du filtre à air. On recommande de remplacer le filtre à air tous les printemps.

- ▶ Dévissez l'écrou sur le couvercle dans le sens antihoraire. Retirez le couvercle.

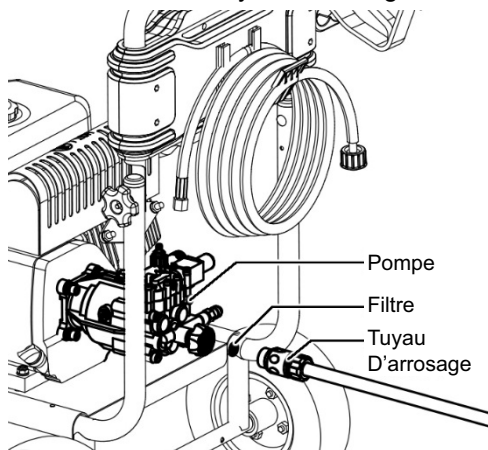


- ▶ Déposez le filtre à air, lavez le filtre dans du kérosène, pressez le filtre pour sortir le kérosène, trempez le filtre dans l'huile à moteur et pressez le filtre pour sortir l'huile à moteur.
- ▶ Remettez le filtre en place et remplacez le couvercle du filtre à air.

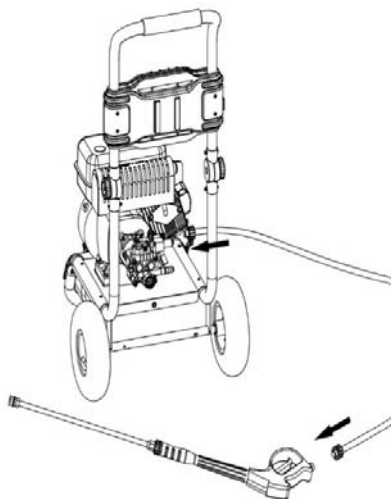
Instructions De Fonctionnement

Procédure De Départ:

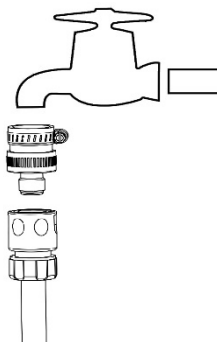
- ▶ Raccorder le tuyau d'arrosage.



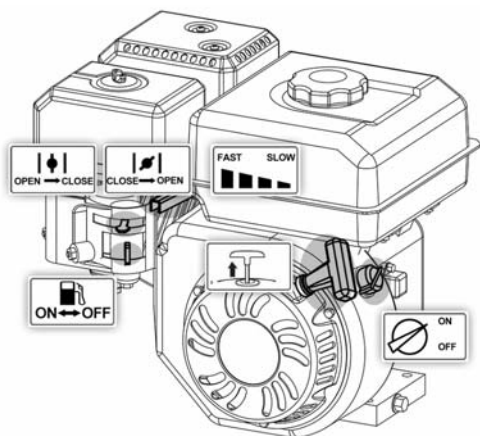
- ▶ Raccordez le pistolet pulvérisateur et le boyau à pression.



- ▶ Ouvrez la source d'eau.



- ▶ Démarrez le moteur.



1. Mettez l'interrupteur du moteur à la position Marche (ON).
2. Déplacez le levier de l'étrangleur à la position Fermé (CLOSE).
3. Mettez la soupape du carburant à la position Marche (ON).
4. Mettez le levier de la commande des gaz à la position Rapide (FAST).
5. Gâchette pistolet vaporisateur pour relâcher la pression.
6. Repérez le cordon du lanceur et tirez lentement jusqu'à ce que vous sentiez une résistance. À ce point, tirez rapidement pour démarrer le moteur.

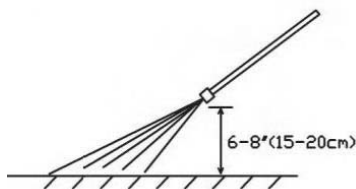
7. Lorsque le moteur a démarré, tournez le levier de l'étrangleur à la position Ouvert (OPEN).

NOTE: Si vous êtes incapable de démarrer le moteur, répétez l'opération ci-dessus une ou deux fois.

NOTE: Si la température est plus élevée, comme pendant l'été ou si le moteur est chaud, la soupape de l'étrangleur peut être placée en position Ouvert (OPEN) avant le démarrage.

Procédure de nettoyage:

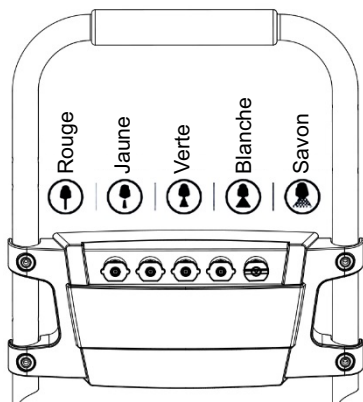
- ▶ Positionnez le bout de la lance entre 15 à 20 cm (6 à 8 po) de la surface à nettoyer à un angle de 45°.



Utilisation Des Accessoires

Buses à raccord rapide

Les buses à raccord rapide par code de couleur fournissent un large éventail de formats de jets de vaporisation de 0° à 65°, et sont facilement accessibles lorsqu'elles sont placées dans le porte-buse pratique.



Angle de vaporisation à 0° = Buse rouge

Pour une accumulation de saleté particulièrement tenace. Cet angle n'est pas recommandé pour les matériaux souples comme les parements, les terrasses, les surfaces peintes et les automobiles.

Angle de vaporisation à 15° = Buse jaune

Pour une accumulation de saleté sur des surfaces.

Angle de vaporisation à 25° = Buse verte

Pour une accumulation de saleté sur de grandes surfaces.

Angle de vaporisation à 40° = Buse blanche

Pour une accumulation modérée de saleté sur de grandes surfaces.

Savon = Buse noire

Pour utiliser avec des détergents ou pour un nettoyage à basse pression.

⚠ MISE EN GARDE

Haute pression dans la zone de la buse. Risque de blessures si la buse n'est pas correctement enclenchée et verrouillée.

- Assurez-vous d'entendre un « clic » lorsque vous insérez l'extrémité de la buse dans le raccord rapide.
- Tirez sur la buse pour vous assurer qu'elle soit correctement appuyée/insérée avant d'utiliser l'appareil.

⚠ AVERTISSEMENT

Pour éviter de graves blessures, ne dirigez jamais la buse de pulvérisation vers vous, vers d'autres personnes ou vers des animaux.

Réglage De La Pression D'eau

La pression peut être réglée en modifiant la vitesse du moteur au moyen du levier de la commande des gaz.

Tourner le levier de la commande des gaz vers la gauche peut augmenter la vitesse pour obtenir plus de pression.

Tourner le levier de la commande des gaz vers la droite peut diminuer la vitesse pour obtenir moins de pression.

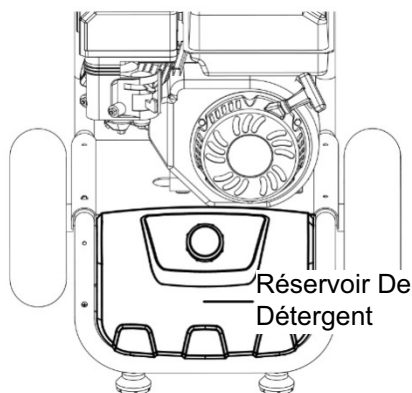
⚠ AVERTISSEMENT

Lorsque vous réglez la commande des gaz du moteur au réglage le plus bas, n'actionnez pas la pompe. Cela pourrait faire caler le moteur à cause d'un manque de puissance.

Travailler Avec Des Détergents

Les détergents doivent être appliqués uniquement avec la buse noire pour détergent.

- ▶ Installer la buse à détergent noire pour procéder à un nettoyage au détergent (fonctionne à basse pression uniquement).
- ▶ Remplissez le réservoir à détergent de détergent de marque Kärcher.



- ▶ Avec le moteur en marche, tirez sur la gâchette pour utiliser l'appareil.
- ▶ Le détergent liquide est aspiré dans l'appareil et mélangé avec l'eau.
- ▶ Appliquez le détergent à la zone de travail.
- ▶ Ne laissez pas le détergent sécher sur la surface.
- ▶ Rincez toujours le réservoir à détergent avec de l'eau fraîche lorsque le travail de nettoyage est terminé afin de rincer tout détergent restant dans le système d'injection.

NOTE: Pour de meilleurs résultats, voir Conseils de nettoyage pour obtenir des

renseignements spécifiques sur la façon de nettoyer différentes surfaces.

MISE EN GARDE

Cet appareil a été conçu pour être utilisé avec les détergents de nettoyage recommandés par le fabricant. L'utilisation de d'autres détergents, peut affecter le fonctionnement de l'appareil et annuler la garantie.

Veillez toujours utiliser les détergents Kärcher; pour de meilleurs résultats.

Les détergents biodégradables Kärcher sont spécialement formulés pour protéger l'environnement et votre laveuse à pression. La formule spéciale ne bouchera pas le filtre du tube et protégera les pièces internes de la laveuse à pression pour une durée de vie prolongée. Pour les détergents Kärcher, consultez votre détaillant ou visitez notre site Web:

www.karcherresidential.com

MISE EN GARDE

Ne jamais utiliser:

- Eau de javel, produits contenant du chlore ou d'autres produits chimiques corrosifs.
- Liquides contenant des solvants (par exemple du diluant à peinture, du carburant, de l'huile).
- Produits contenant du phosphate de trisodium.
- Produits contenant de l'ammoniaque.
- Produits à base d'acide.

Ces produits chimiques nuiront à l'appareil et endommageront la surface nettoyée.

Utilisation de ces produits annulera la garantie.

Prendre Une Pause...cinq minutes ou plus

- ▶ Déplacez l'interrupteur d'alimentation du moteur à la position ARRÊT (OFF).
Pour des détails concernant le moteur, consultez le manuel du moteur.
- ▶ Relâchez la gâchette et mettez le verrou de sécurité.

Arrêt Et Entretien

- ▶ Si vous avez utilisé du détergent, versez un gallon d'eau fraîche dans le réservoir à détergent. Siphonnez de l'eau à basse pression pendant une minute pour enlever toute trace de détergent dans la conduite.
- ▶ Déplacez l'interrupteur d'alimentation du moteur à la position ARRÊT (OFF). Fermez le robinet de carburant.
- ▶ Fermez la source d'eau.
- ▶ Appuyez sur la gâchette pour relâcher la pression d'eau.
- ▶ Relâchez la gâchette et mettez le verrou de sécurité du pistolet.
- ▶ Débranchez le tuyau d'arrosage de l'entrée d'eau de l'appareil.
- ▶ Débranchez le tuyau à haute pression de la sortie à haute pression. Rangez le tuyau à haute pression à l'intérieur de l'assemblage du porte-buse.

Entreposage À Long Terme Et Pour Hiver

Kärcher (numéro de pièce 9.558-998.0) avant d'entreposer l'appareil pour l'hiver et pendant la saison de nettoyage afin de protéger la pompe du gel et d'usure prématurée.

- ▶ Tourner le commutateur de moteur vers la position OFF.
- ▶ Débranchez tous les tuyaux.
- ▶ Dévisser le bouchon du flacon pompe garde.
- ▶ Enlever le joint interne.
- ▶ Rattacher le bouchon de bouteille de garde pompe et enlever le capuchon noir.
- ▶ Vissez la bouteille dans l'entrée d'eau sur pompe laveuse à pression et presser.
- ▶ Avec allumage OFF, tirez la corde de démarrage jusqu'à ce que le liquide commence à sortir.
- ▶ Dévissez la bouteille. Conserver ou éliminer correctement.

Si le nettoyant Kärcher Pump Guard n'est pas disponible, effectuez les étapes suivantes :

- ▶ Débranchez tous les raccords d'eau.
- ▶ Faites fonctionner l'appareil pendant quelques secondes, jusqu'à ce que l'eau qui restait dans la pompe sorte. Arrêtez immédiatement le moteur.
- ▶ Évitez de plier le boyau à haute pression.
- ▶ Rangez l'appareil et les accessoires dans un endroit où il n'y a pas de risque de gel. NE rangez PAS l'appareil près d'une fournaise ou d'autres sources de chaleur puisque cela

pourrait assécher les joints d'étanchéité de la pompe.



MISE EN GARDE

Ne pas suivre les indications ci-dessus peut causer des dommages à la pompe et les accessoires et annuler la garantie.

Instructions D'entretien

Pompe

Inspection de la pompe

Vous devriez régulièrement effectuer une inspection visuelle de la pompe pour la laveuse à pression. Si vous remarquez des fuites d'huile autour des joints d'étanchéité de la pompe, vous devriez apporter la laveuse à pression à un centre deservice autorisé Kärcher pour réparation. (Vous pouvez trouver un centre de service de votre région www.karcher-service.com).

Moteur

Effectuez les tâches d'entretien du moteur selon les spécifications prévues dans les instructions d'utilisation fournies par le fabricant du moteur

Conseils De Nettoyage

Nettoyage de la terrasse

Avec ou sans détergent

Effectuez un pré-rinçage de la terrasse et des zones environnantes avec de l'eau douce. Si vous utilisez le nettoyeur à terrasse Kärcher, appliquez-le à basse pression. Pour de meilleurs résultats, limitez votre zone de travail à des petites sections d'environ 2,3 m² (25 pi²). Veuillez laisser agir le nettoyeur à terrasse sur la surface de 1 à 3 minutes. Ne laissez pas le détergent sécher sur la surface. Rincez à haute pression en effectuant un mouvement de balayage et en gardant la buse de pulvérisation à environ 8 cm à 15 cm (3-6 po) de la surface à nettoyer. Toujours nettoyer du haut vers le bas et de gauche à droite. Lorsque vous vous déplacez pour nettoyer une nouvelle section, assurez-vous de chevaucher la section précédente afin de prévenir les marques d'arrêts et pour assurer un nettoyage plus uniforme.

Automobiles, bateaux et motocyclettes

Avec ou sans détergent

Pré-rincez le véhicule avec de l'eau douce. Si vous utilisez le nettoyeur sans contact pour véhicule, appliquez-le à basse pression. Pour de meilleurs résultats, nettoyez un côté du véhicule à la fois et toujours appliquer le détergent du bas vers le haut; ne laissez

pas le détergent sécher sur la surface. Au besoin, utilisez une brosse spéciale pour le nettoyage (non incluse) pour enlever la saleté tenace. Rincez à haute pression en effectuant un mouvement de balayage et en gardant la buse de pulvérisation à environ 15 cm à 20 cm (6-8 po) de la surface à nettoyer (la distance devrait accroître si vous rincez des décalques ou des surfaces délicates). Toujours nettoyer du haut vers le bas et de gauche à droite. Pour de meilleurs résultats, essuyez la surface avec un chamois ou un chiffon doux et sec.

Parements de maison

Avec ou sans détergent

Pré-rincez la surface à nettoyer avec de l'eau douce. Si vous utilisez la laveuse à pression Kärcher, appliquez à basse pression sur la surface (pour de meilleurs résultats, limitez votre zone de travail à des sections d'environ 1,8 mètre (6 pi) et toujours appliquer le détergent du bas vers le haut. Veuillez laisser agir le détergent sur la surface de 1 à 3 minutes. Ne laissez pas le détergent sécher sur la surface; si la surface semble sécher, vous n'avez qu'à la mouiller avec de l'eau douce. Au besoin, utilisez une brosse spéciale pour le nettoyage (non incluse) pour enlever la saleté tenace. Rincez à haute pression dans un mouvement de balayage du haut vers le bas, tout en gardant la buse de pulvérisation à environ 15 cm (6 po) de la surface à nettoyer.

Patio de ciment, de briques et de pierres

Avec ou sans détergent

Pré-rincez la surface à nettoyer avec de l'eau douce. Si vous utilisez la laveuse à pression Kärcher ou le dégraiseur, appliquez à la surface à basse pression. Pour de meilleurs résultats, limitez votre zone de travail à des petites sections d'environ 2,3 m² (25 pi²). Veuillez laisser agir la laveuse à pression ou le dégraiseur sur la surface de 1 à 3 minutes. Ne laissez pas le détergent sécher sur la surface. Rincez à haute pression en effectuant un mouvement de balayage et en gardant la buse de pulvérisation à environ 8 cm à 15 cm (3-6 po) de la surface à nettoyer. Toujours nettoyer du haut vers le bas et de gauche à droite. Pour enlever les taches très tenaces, utilisez une buse de pulvérisation DirtBlasterMD (vendue séparément).

Barbecues, équipements motorisés d'extérieur et outils de jardin

Avec ou sans détergent

Pré-rincez la surface à nettoyer avec de l'eau douce. Si vous utilisez la laveuse à pression Kärcher ou le dégraiseur, appliquez le détergent à basse pression. Veuillez laisser agir la laveuse à pression sur la surface de 1 à 3 minutes. Ne laissez pas le détergent sécher sur la surface. Rincez à haute pression en gardant la buse de

pulvérisation à environ 7 cm à 15 cm (3-6 po) de la surface à nettoyer. Pour enlever les taches très tenaces, il peut être nécessaire de déplacer la buse de pulvérisation encore plus près de la surface pour obtenir un nettoyage en profondeur de la saleté.

Patio et meubles de jardin

Avec ou sans détergent

Effectuez un pré-rinçage des meubles et des zones environnantes avec de l'eau douce. Si vous utilisez la laveuse à pression, appliquez à la surface à basse pression. Veuillez laisser agir la laveuse à pression sur la surface de 1 à 3 minutes. Ne laissez pas le détergent sécher sur la surface. Au besoin, utilisez une brosse spéciale pour le nettoyage (non incluse) pour enlever la saleté tenace. Rincez à haute pression en effectuant un mouvement de balayage et en gardant la buse de pulvérisation à environ 7 cm à 15 cm (3-6 po) de la surface à nettoyer. Pour de meilleurs résultats, nettoyez du haut vers le bas et de gauche à droite.

Recommandations

- Avant de nettoyer une surface, une zone discrète devrait être nettoyée pour tester la forme du jet et la distance nécessaire pour obtenir un nettoyage maximum.
- Si les surfaces peintes s'écaillent ou s'effritent, soyez très prudent puisque

la laveuse à pression pourrait enlever les écailles de peinture de la surface.

- Lorsque vous utilisez l'appareil sur des surfaces pouvant entrer en contact avec le bois, rincez les surfaces avec beaucoup d'eau douce.
- Pour des conseils de nettoyage additionnels, veuillez visiter notre site Web: www.karcherresidential.com

Accessoires optionnels

- Rallonge de tuyau
- Buse de pulvérisation DirtBlasterMD
- Trousse de brosses universelles de nettoyage

Guide De Dépannage



MISE EN GARDE

Avant de procéder aux réparations, débrancher toujours le câble de la bougie d'allumage afin d'éviter tout démarrage accidentel du moteur.

Symptôme	Cause	Solution
Le Moteur Ne Démarre Pas	Il n'y a pas de carburant.	Remplissez le réservoir de carburant.
	Le volet de départ n'est pas à la bonne position.	Glissez le levier du volet de départ à la position fermée.
	L'interrupteur d'allumage n'est pas dans la bonne position.	Mettez l'interrupteur d'allumage en position Marche.
	Une montée de pression d'eau s'est accumulée dans l'appareil.	Pressez la gâchette pour relâcher la pression.
	Pour des problèmes additionnels de moteur, reportez-vous au manuel du moteur.	
L'appareil N'atteint Pas Une Haute Pression	Le diamètre du tuyau d'arrosage est trop étroit.	Remplacez par un tuyau d'arrosage de 1,58 cm (5/8 po) ou plus large.
	L'alimentation d'eau est restreinte.	Vérifiez le tuyau d'arrosage pour des torsions, des fuites et des obstructions.
	Capacité en alimentation d'eau insuffisante à l'entrée.	Ouvrez le robinet d'eau au complet. Vérifiez le tuyau d'arrosage pour des torsions, des fuites et des obstructions.
	Le filtre à l'entrée d'eau est bloqué.	Enlevez le filtre et rincez-le à l'eau tiède.

Symptôme	Cause	Solution
L'appareil N'atteint Pas Une Haute Pression	La buse noire pour détergent est installée.	Enlevez la buse noire pour détergent et installez la buse à haute pression.
La Pression De Sortie Varie De Haute À Basse	Capacité en alimentation d'eau insuffisante à l'entrée.	Ouvrez le robinet d'eau au complet. Vérifiez le tuyau d'arrosage pour des torsions, des fuites et des obstructions.
	La pompe aspire de l'air.	Assurez-vous que les tuyaux et les raccords sont bien serrés. Éteignez l'appareil et purgez la pompe en pressant la gâchette du pistolet jusqu'à ce qu'un débit d'eau constant sorte de la buse.
	Le filtre à l'entrée d'eau est bloqué.	Enlevez le filtre et rincez-le à l'eau tiède.
	La buse de pulvérisation est obstruée.	Soufflez ou enlevez les débris avec une fine aiguille.
	Pistolet, tuyau ou lance calcifiée.	Faites passer du vinaigre distillé à travers le tube d'aspiration pour détergent.
Aucun Détergent.	Le tube d'aspiration pour détergent n'est pas correctement branché à l'appareil.	Vérifier le raccord.
	Le détergent est trop épais.	Diluez le détergent. Pour de meilleurs résultats, utilisez le détergent Kärcher.
	Le filtre sur le tube d'aspiration pour détergent est bloqué.	Faites couler de l'eau tiède à travers le filtre pour enlever les débris.
	Le tube d'aspiration pour détergent est endommagé ou bloqué.	Enlevez l'obstruction ou remplacez le tube d'aspiration pour détergent.

Symptôme	Cause	Solution
Aucun Détergent.	Une buse à haute pression est installée.	Remplacez avec la buse noire pour détergent.
	La buse de pulvérisation est obstruée.	Soufflez ou enlevez les débris avec une fine aiguille.
Fuite De La Connexion Du Tuyau D'arrosage	Les raccords ne sont pas serrés.	Serrez les raccords.
	Rondelle de caoutchouc manquante ou endommagée.	Insérez une nouvelle rondelle.
Fuite De La Lance D'arrosage	La lance d'arrosage n'est pas correctement installée.	Tournez l'écrou tournant du pistolet dans le sens des aiguilles d'une montre jusqu'à ce que la connexion soit bien serrée.
	Joint torique ou insert de plastique brisé.	Veillez visiter www.karcher-help.com ou trouver un centre de service à www.karcher-service.com .
La Pompe Est Bruyante	Il n'y a pas suffisamment de carburant ou d'huile à moteur.	Assurez-vous que les tuyaux et les raccords sont bien serrés. Éteignez l'appareil et purgez la pompe en pressant la gâchette du pistolet jusqu'à ce qu'un débit d'eau constant sorte de la buse.
Il Y A Une Fuite D'eau À Partir De La Pompe (Jusqu'à 10 Gouttes Par Minute Est Acceptable)	Les raccords ne sont pas serrés.	Vérifiez les raccords.
	Les joints hydrauliques sont endommagés ou usés.	Veillez visiter www.karcher-help.com ou trouver un centre de service à www.karcher-service.com .
	Le dispositif de protection thermique est activé.	Le dispositif de protection thermique se réinitialisera automatiquement. Ne faites pas fonctionner la pompe plus de 5 minutes sans pulvériser.

Symptôme	Cause	Solution
Fuite D'huile	Les joints étanches à l'huile sont endommagés ou usés.	Veillez visiter www.karcher-help.com ou trouver un centre de service à www.karcher-service.com .

Si le problème que vous avez n'est pas énuméré dans la liste ci-dessus, ou si les solutions fournies ne permettent pas de résoudre le problème, veuillez visiter notre vaste banque de données pour dépannage en ligne à :

www.karcher-help.com

High Pressure Washers **KÄRCHER**

Limited 24 month warranty

Cold water gasoline pressure washers

This Kärcher product is warranted by Kärcher to be free of defects in workmanship and materials under normal use.

Specific warranty applies to:

- Kärcher KPS and KXS series engines are warranted for three (3) years on parts and labor.
- Honda GC series engines are warranted for two (2) years on parts and labor.
- Honda GX series engines are warranted for three (3) years on parts and labor.
- Please reference the Honda Engine Manual for specific warranty instructions.
- Pumps and engines are warranted for two (2) years on parts and labor.
- Frames, handles and detergent tanks, as well as other structural components, carry a one (1) year parts and labor warranty.
- Standard accessories and attachments are warranted for a ninety (90) day period.
- Any commercial, industrial or rental use of this equipment will reduce the warranty to ninety (90) days.

The warranty period is calculated from the date of purchase by the end user and covers cost for replacement parts / equipment and warranty labor performed. In order to verify a warranty situation, the machine must be evaluated by an Authorized Kärcher Service Center. A copy of the original purchase receipt or gift receipt from the original retailer must also accompany the warranty claim. To locate the nearest authorized Kärcher service center, please visit our website at www.karcher-service.com.

Kärcher's obligation under this warranty shall strictly be limited, at Kärcher's option, either to replace or repair, through Kärcher direct or through an Authorized Kärcher Service Dealer without charge during the warranty period any part, which in the opinion of the manufacturer, shows defect in workmanship or material. Service will be scheduled according to the normal work flow and business hours at the service center, and availability of replacement parts. All decisions of Kärcher with regard to this limited warranty shall be final.

This warranty does not cover:

- Merchandise sold as reconditioned, used, demonstration or floor models.
- Merchandise purchased on eBay and other online auction web sites.

- Damage caused by misuse, neglect, accident, abuse, improper handling, freezing, normal wear and tear or non-compliance with operator's manual.
- Damage caused by water sediment, contaminated water supply or use of chemicals and detergents not approved by or recommended by Kärcher.
- Damage caused by acts of nature such as floods, fires, earthquakes, lightning strikes, etc.
- Devices or accessories not distributed or approved by Kärcher. Any use of such said devices or accessories will void implied warranty.
- Repairs made by the end user or any service center not authorized by Kärcher. Any such tampering with Kärcher equipment or accessories will void the implied warranty.
- Any cost for shipping by the customer or authorized service center of the alleged defective part or equipment.

This warranty is non-transferable and applies only to products purchased through a Kärcher authorized reseller in the United States and Canada. This warranty gives you specific legal rights. You may have other rights, which vary by country and state/province.

Please register online at www.karcher-register.com. Online registration is quick, free and provides you with a confirmation email for your records.

If you do not have internet access, please return the warranty registration card included in the accessory bag. It is not necessary to use an envelope. Please remember to use a first-class postage stamp. The Postal service will not deliver without a stamp.

Lavadoras De Alta Presión



Garantía limitada de 24 meses Hidrolavadoras de alta presión con agua fría a gaso- lina

Este producto de Kärcher está garantizado contra defectos de fabricación y materiales en condiciones de uso normal.

La garantía específica se aplica a:

- Los motores Kärcher de las serie KPS y KXS tienen garantía de tres (3) años para repuestos y mano de obra.
- Los motores Honda de la serie GC tienen garantía de dos (2) años para repuestos y mano de obra.
- Los motores Honda de la serie GX tienen garantía de tres (3) años para repuestos y mano de obra.
- Consulte el Manual del motor Honda para obtener instrucciones específicas de la garantía.
- Las bombas y los motores tienen garantía de dos (2) años para repuestos y mano de obra.
- Los bastidores, manijas y tanques de detergente, así como otros componentes estructurales, tienen una garantía de un (1) año para repuestos y mano de obra.

Los accesorios y complementos estándar están garantizados por un período de noventa (90) días.

Cualquier uso comercial, industrial o alquiler de este equipo reducirá la garantía a noventa (90) días.

El período de garantía se calcula a partir de la fecha de compra por el usuario final y cubre el costo de piezas de repuesto / equipos y trabajo realizado bajo garantía. Con el fin de verificar una situación de garantía, la máquina deberá ser evaluada por un centro de servicio autorizado de Kärcher. Una copia del recibo de compra original o recibo de regalo del vendedor original también debe acompañar el reclamo de garantía. Para localizar el centro de servicio autorizado de Kärcher más cercano, visite nuestro sitio web en www.karcher-service.com.

La obligación de Kärcher bajo esta garantía será estrictamente limitada, a opción de Kärcher, ya sea a cambiar o reparar, directamente a través de Kärcher o a través de un distribuidor de servicio autorizado Kärcher sin cargo durante el periodo de garantía cualquier pieza, que en la opinión del fabri-

cante, muestre defectos materiales o de mano de obra. El servicio se programará según el caudal normal de trabajo y el horario de atención del centro de servicio, y la disponibilidad de los repuestos. Todas las decisiones de Kärcher respecto de esta garantía limitada serán definitivas.

Esta garantía no cubre:

- Mercadería vendida como reacondicionada, usada, de demostración o de exhibición.
- Mercancía comprada a través de eBay y otras webs de subasta en línea.
- Daños causados por mal uso, negligencia, accidente, abuso, manejo incorrecto, congelación, desgaste normal o incumplimiento del manual del operador.
- Daños causados por sedimentos de agua, suministro de agua contaminada o el uso de productos químicos y detergentes no aprobados o recomendados por Kärcher.
- Daños causados por desastres naturales tales como inundaciones, incendios, terremotos, rayos, etc.
- Dispositivos o accesorios no distribuidos o aprobados por Kärcher. Cualquier uso de los mencionados dispositivos o accesorios anulará la garantía implícita.
- Reparaciones realizadas por el usuario final o cualquier centro de servicio no autorizado por Kärcher. Cualquier alteración de los equipos o accesorios Kärcher anulará la garantía implícita.
- Los costos de envío incurridos por el cliente o el centro de servicio autorizado de la pieza o el equipo supuestamente defectuoso.

Esta garantía no es transferible y se aplica únicamente a productos comprados a través de un revendedor autorizado de Kärcher en Estados Unidos y Canadá. Esta garantía le otorga derechos legales específicos. Usted puede tener otros derechos, que varían según el país y el estado/provincia.

Por favor, regístrese en línea en www.karcher-register.com. El registro en línea es rápido, gratuito y le proporciona un mensaje de confirmación para sus archivos.

Si no tiene acceso a internet, por favor envíe la tarjeta de garantía incluida en la bolsa de accesorios. No es necesario utilizar un sobre. Recuerde ponerle una estampilla postal. El servicio de correos no la entregará si no tiene una estampilla.

Nettoyeurs à Haute Pression

KÄRCHER

Garantie limitée à 24 mois

Nettoyeurs à haute pression l'eau froide à essence

Ce produit Kärcher est garanti par Kärcher contre tout défaut de fabrication et de main-d'oeuvre pour une utilisation normale.

La garantie spécifique s'applique aux:

- Les moteurs de la série Kärcher KPS et KXS sont garantis pendant trois (3) ans sur les pièces et la main-d'oeuvre.
- Les moteurs de la série Honda GC sont garantis pendant deux (2) ans sur les pièces et la main-d'oeuvre.
- Les moteurs de la série Honda GX sont garantis pendant trois (3) ans sur les pièces et la main-d'oeuvre.
- Veuillez vous reporter au manuel du moteur Honda pour obtenir des instructions précises sur la garantie.
- Pompes sont garantis pour deux (2) ans pour les pièces et main-d'oeuvre.
- Les châssis, les poignées et les composantes de la structure, garantie (1 an) pièces et main- d'oeuvre.

La période de garantie est calculée à partir de la date d'achat par l'utilisateur et couvre le coût de remplacement des pièces/équipement et la garantie de main-d'oeuvre effectuée.

Pour vérifier une situation de garantie, l'appareil doit être évalué par un centre de service autorisé. La copie originale du reçu d'achat ou reçu de cadeau doit également accompagner la réclamation de garantie. Pour localiser le centre de service le plus près, visiter notre site web : www.karcher-service.com.

L'obligation de Kärcher selon cette garantie doit être strictement limitée à l'option Kärcher, soit de réparer ou de remplacer directement par Kärcher ou par un distributeur autorisé sans charge durant la période de garantie, toute pièce, qui, selon l'opinion du fabricant, montre un défaut de fabrication ou de matériel. Le service de réparations sera cédulé durant la période de travail normal et durant les heures d'affaires au centre de service et selon la disponibilité des pièces de remplacement. Toute décision de Kärcher en ce qui concerne cette limite de garantie est finale.

Cette garantie ne couvre pas:

- La marchandise vendue remise à neuf, usée, en démonstration et les modèles en montre.

- Marchandise achetée sur eBay ou à une vente aux enchères sur d'autres sites web.
- Dommage causé par une utilisation déraisonnable, par de la négligence, de l'abus, une manutention inappropriée, par le gel, par usure normale ou par la non-conformité avec le manuel d'utilisation.
- Dommage causé par sédiment d'eau, approvisionnement d'eau contaminée ou utilisation de produits chimiques et de détergents non approuvés ou recommandés par Kärcher.
- Dommage causé par les actes de la nature, tels qu'inondations, tremblements de terre, éclairs, etc.
- Mécanismes ou accessoires non distribués ou approuvés par Kärcher. L'utilisation de ces mécanismes ou accessoires annulera la garantie.
- Les réparations effectuées par l'utilisateur ou tout autre centre de service non autorisé par Kärcher. De plus, toute tentative pour fixer l'équipement ou les accessoires Kärcher, annulera la garantie en question.
- Tout coût d'expédition par le client au centre de service autorisé de la pièce ou de l'équipement prétendus défectueux.

Cette garantie s'applique seulement aux pièces et équipement manufacturés par Kärcher. L'équipement fourni mais non manufacturé par Kärcher (tel que moteurs essences) sont sujets à des garanties et à un service par les centres de services de ces manufacturiers selon les termes et les conditions offerts par le fabricant respectif de l'équipement. Kärcher n'est pas autorisé et n'a aucune responsabilité pour offrir une garantie de service pour de tels équipements.

Cette garantie est non-transférable et s'applique aux produits Kärcher achetés chez un distributeur autorisé aux États-Unis ou au Canada. Cette garantie vous donne des droits légaux spécifiques. Vous pouvez avoir d'autres droits qui varient selon le pays, l'état ou la province.

**Veillez vous enregistrer en ligne à: www.karcher-register.com.
L'enregistrement en ligne est rapide et vous confirme la réception de ces données par courriel.**

Si vous n'avez pas accès à l'internet, s'il vous plaît retourner la carte de garantie incluse dans le sachet d'accessoires. N'oubliez pas d'apposer le timbre-poste première classe. Le service postal ne peut pas livrer sans le timbre-poste.