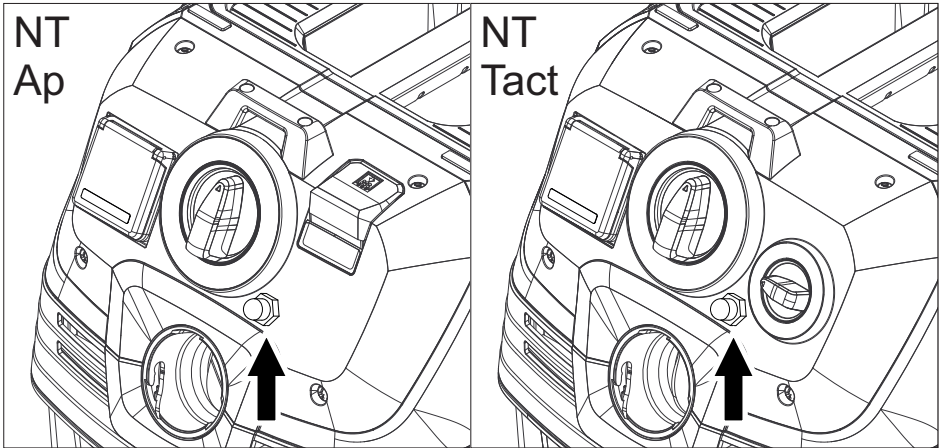


## NT Ap Te M / NT Ap Te H / NT Tact Te L / NT Tact Te M / NT Tact Te H

Only for Australia & New Zealand



The fuse protects the socket against overload due to overcurrent.  
When it responds, a white pin becomes visible under the transparent cap.  
Pushing the pin will turn the power back on.  
Possibly the cause of the trip (e.g. the connected device) must be removed.