

KÄRCHER

SC 1
SC 1 EasyFix

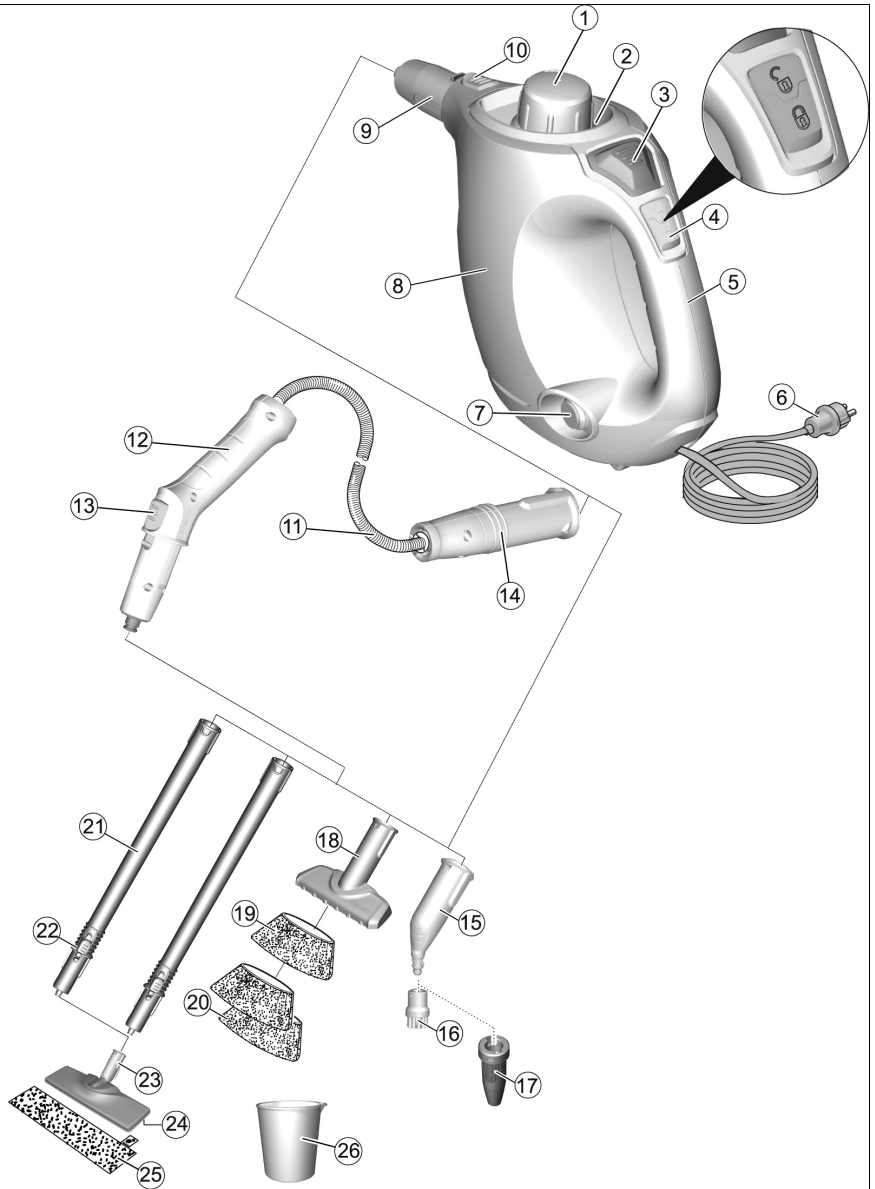


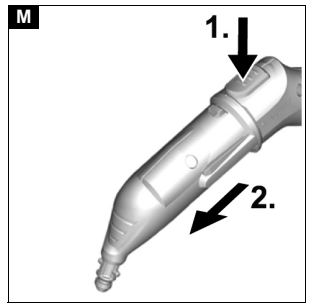
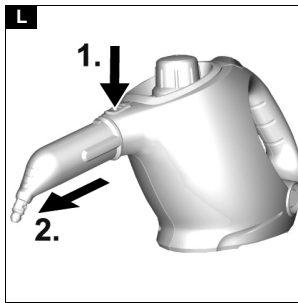
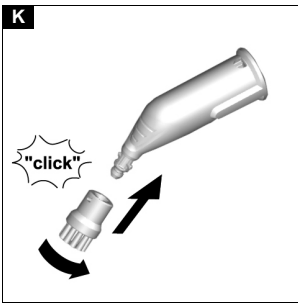
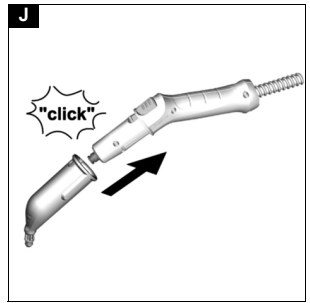
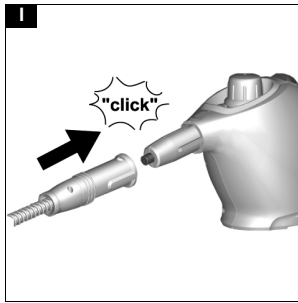
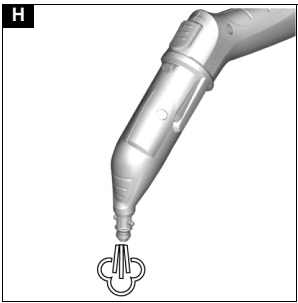
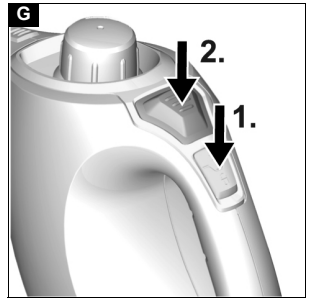
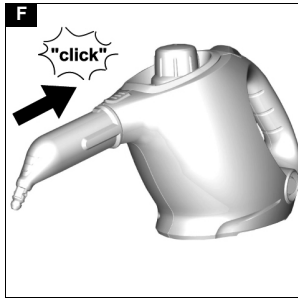
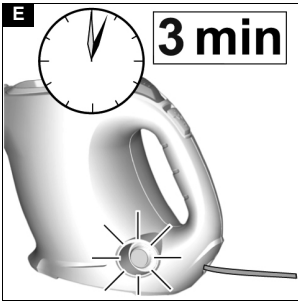
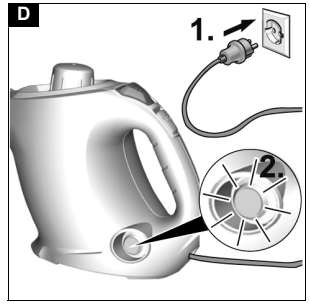
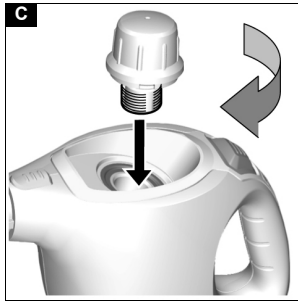
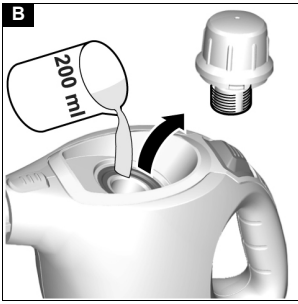
**Register
your product**
www.kärcher.com/welcome

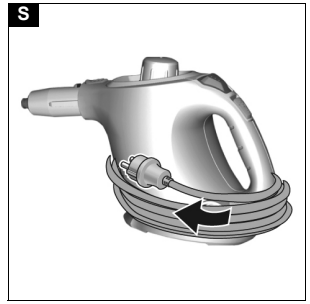
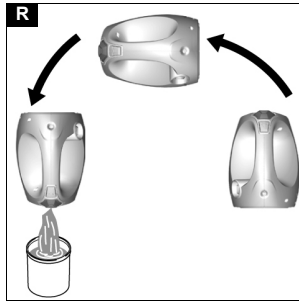
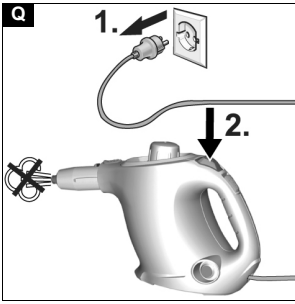
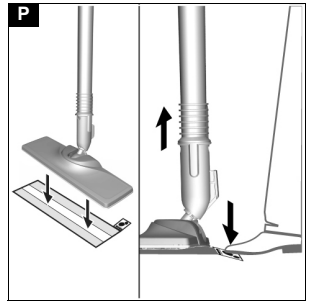
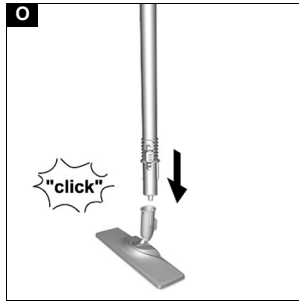
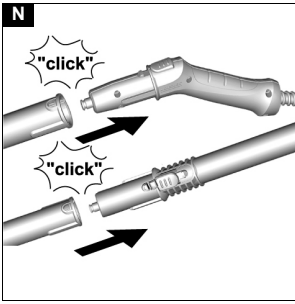


59682600 (12/22)

A







Contents

Safety instructions	5
Intended use	6
Environmental protection	6
Accessories and spare parts	6
Scope of delivery	7
Warranty	7
Safety devices	7
Description of the unit	7
Initial Start-Up	7
Installation	7
Operation	8
Important application instructions	8
How to use the Accessories	9
Care and service	9
Troubleshooting guide	10
Technical data	10

Safety instructions



Please read and comply with these original instructions prior to the initial operation of your appliance and store them for later use or subsequent owners.

- In addition to the notes in the operating instructions, you also need to take into consideration the general safety regulations and accident prevention guidelines applicable by law.
- Warnings and information notices attached to the device provide important information for hazard-free operation.

Hazard levels

⚠ DANGER

- Indication of an imminent threat of danger that will lead to severe injuries or even death.

⚠ WARNING

- Indication of a potentially dangerous situation that may lead to severe injuries or even death.

⚠ CAUTION

- Indication of a potentially dangerous situation that may lead to minor injuries.

ATTENTION

- Indication of a potentially dangerous situation that may lead to damage to property.

General safety instructions

⚠ DANGER • Risk of asphyxiation. Keep packaging film out of the reach of children.

⚠ WARNING • Only use the device for its proper use. Take into account the local conditions and beware of third parties, in particular children, when working with the device. • Only people who have been instructed on how to use the device, or have proven their ability to operate it, and have been explicitly instructed to use it, must use the device. • Persons with reduced physical, sensory or mental capabilities and persons lacking experience and knowledge may only use the appliance if they are properly supervised, have been instructed on use of the appliance safely by a person responsible for their safety, and understand the resultant hazards involved. • Children must not operate the device. • Children must be supervised to prevent them from playing with the appliance. • Keep the device out of the reach of

children when it is connected to the mains or when it is cooling down.

⚠ CAUTION • Do not use the device if it has been dropped beforehand, is visibly damaged or if it is leaking. • Safety devices are provided for your own protection. Never modify or bypass safety devices.

Risk of electric shock

⚠ DANGER • Never touch the mains plug and socket with wet hands. • Only connect the device to alternating current. The voltage indicated on the type plate must match the voltage of the power source. • Do not direct the steam jet directly onto equipment containing electrical components, e.g. the interior space of ovens. • Do not fill the devices with removable water reservoir directly via the water connection while they are connected to the mains power. Use a receptacle for filling. • Do not use the d in swimming pools which contain water. • The mains plug and extension cable connection must not be in water. • Do not clean over floor sockets.

⚠ WARNING • Only connect the device to an electrical connection which has been set up by a qualified electrician as per IEC 60364-1. • Only operate the device in wet rooms, e.g. bathroom, connected to sockets with upstream residual current device. • Check that the mains connection cable with mains plug is undamaged each time before using the device. To avoid any possible danger, a damaged mains connection cable must be immediately replaced by the manufacturer, or the authorised customer service department or a qualified electrician. • Do not damage the power supply and extension cable by running over it, crushing or yanking it or similar. Protect the power supply cable from heat, oil and sharp edges. • Unsuitable electrical extension cables can be dangerous. Only use electrical extension cables with a splash guard and a diameter of at least 3x1 mm². • Only replace couplings on the power supply or extension cable with those with the same splash guard and the same mechanical strength. • Clean tiled walls with sockets carefully. • Disconnect the device from the mains during longer operating breaks, after use or before performing any maintenance work. • Only carry out servicing work when the mains plug is pulled and the steam cleaner has cooled down.

Operation

⚠ DANGER • Operation in explosive atmospheres is prohibited. • When using the device in hazard zones (e.g. service stations), adhere to the respective safety regulations.

⚠ WARNING • Risk of scalding. Never touch the steam jet with your hand from a close distance, and do not direct it at people or animals. • Danger of scalding from high water output if you tilt the device more than 30° to the side during use. • Risk of scalding on the hot steam boiler. Allow the steam boiler to cool down before filling it with water. • Risk of scalding. Let the appliance and accessory parts, particularly the floor cleaning cloth and the hand cover cool down before touching them. • Risk of scalding. Do not use the appliance for cleaning pressure tanks as this poses a bursting and explosion hazard. • Risk of scalding from the floor nozzle. Ensure that no part of the body gets under the floor nozzle. Never operated the floor nozzle without wearing shoes. • Risk of scalding. Only operate the appliance once it is

fully assembled and functional. • Risk of scalding. Let the appliance cool down fully before putting it away.

ATTENTION • Do not fill with any cleaning agents or other supplements.

WARNING • Never disconnect accessories from the device while steam is being expelled. • Hot water may drip out when disconnecting accessory parts. Allow the device to cool down first. • Never open the maintenance / safety lock during operation. Allow the device to cool down first. • Do not clamp the steam lever / steam key during operation. • Replace a damaged steam hose immediately with a steam hose as recommended by the manufacturer. • Do not steam any objects which contain harmful substances (e.g. asbestos).

CAUTION • Only operate or store the device in accordance with the description or figure. • Check the device and the accessories, in particular the power supply cable, safety lock and steam hose, to make sure it is in proper safe and reliable condition before operation each time. Do not use the device if it is damaged. Replace damaged components immediately. • Only switch on the device when water is present in the steam boiler. The device may otherwise overheat, see the Troubleshooting chapter of the operating instructions. • Accidents or damage due to the device falling over. Before all actions with or on the device, you must make sure that it is stable. • In order to guarantee stability, place the device on a firm, flat surface. • Do not carry the device when performing cleaning work.

ATTENTION • Do not operate the device at temperatures below 0 °C. • Never leave the device unsupervised while it is connected to the mains. • Do not use the appliance as a humidifier or heater. • Ensure the room is well ventilated when working with the appliance and afterwards. • Protect the device from rain. Do not store the device outdoors. • Device damage. Never pour solvents, liquids containing solvents or undiluted acids (e.g. detergents, petrol, paint thinner and acetone) into the boiler/water reservoir. • Unsuitable water can block the nozzles or damage the water level indicator. Do not fill with pure distilled water, condensation from a dryer, collected rain water, detergents or additives (e.g. fragrances), use a maximum of 50% distilled water mixed with tap water.

Note • Refilling water

- 1 Switch off the device.
- 2 Allow the device to cool down.
- 3 Unscrew the safety lock.
- 4 Drain the water completely out of the steam boiler.
- 5 Fill a maximum of 200 ml distilled water or tap water into the steam boiler.
- 6 Insert the safety lock.

Applies only to SC 1 devices

Care and service

CAUTION • Have repair work carried out by the authorised customer service only.

Descaling the steam boiler

CAUTION • Never screw the safety lock onto the device while descaling. • Do not use the steam cleaner while there is descaler in the boiler.

ATTENTION • The descaler may corrode sensitive surfaces. Work carefully when filling and emptying the steam cleaner with descaler.

ATTENTION • Do not use vinegar or similar agents.

Steam cleaner accessories

(Depending on equipment)

Steam turbo brush

CAUTION

- Longer periods of use of the steam turbo brush may lead to poor blood circulation in the hands due to vibration. In case of symptoms, e.g. tingling in the fingers, cold fingers, take a break. A general period of use cannot be set, because this depends on several influencing factors:
- Personal tendency to suffer from poor circulation (frequently cold fingers, tingling sensation in the fingers).
- Holding the device too tightly hindering blood circulation.
- Continuous operation is more harmful than operation interrupted by work breaks.

You should consult a doctor if using the steam turbo brush regularly and for lengthy periods of time, and in the event of repeated occurrences of symptoms such as tingling in the fingers or cold fingers.

Intended use

Only use the appliance in private households. The appliance is intended for cleaning with steam and can be used with appropriate accessories as described in these operating instructions. Detergents are not required. Observe the safety instructions.

Environmental protection



The packing materials can be recycled. Please dispose of packaging in accordance with the environmental regulations.



Electrical and electronic appliances contain valuable, recyclable materials and often components such as batteries, rechargeable batteries or oil, which - if handled or disposed of incorrectly - can pose a potential threat to human health and the environment. However, these components are required for the correct operation of the appliance. Appliances marked by this symbol are not allowed to be disposed of together with the household rubbish.

Notes on the content materials (REACH)

Current information on content materials can be found at: www.kaercher.com/REACH

Accessories and spare parts

Only use original accessories and original spare parts. They ensure that the appliance will run fault-free and safely.

Information on accessories and spare parts can be found at www.kaercher.com.

Scope of delivery

The scope of delivery for the appliance is shown on the packaging. Check the contents for completeness when unpacking. If any accessories are missing or in the event of any shipping damage, please notify your dealer.

Warranty

The warranty conditions issued by our relevant sales company apply in all countries. We shall remedy possible malfunctions on your appliance within the warranty period free of cost, provided that a material or manufacturing defect is the cause. In a warranty case, please contact your dealer (with the purchase receipt) or the next authorised customer service site. (See overleaf for the address)

Safety devices




⚠ CAUTION

Missing or modified safety devices

Safety devices are provided for your own protection. Never modify or bypass safety devices.

Symbols on the device

(according to type of appliance)

	Risk of burns, surface of appliance becomes hot during operation
	Risk of scalding from steam
	Read operating instructions

Safety lock

The safety lock seals the steam boiler from the steam pressure present. If the pressure regulator is defective and overpressure occurs in the steam boiler, an pressure relief valve opens in the safety lock and steam leaks out through the lock.

Prior to restarting the appliance, contact the responsible KÄRCHER Customer Service.

Description of the unit

The maximum amount of equipment is described in these operating instructions. Depending on the model used, there are differences in the scope of delivery (see packaging).

For the illustrations, refer to the graphics page.

Illustration A

- ① Safety lock
- ② Filling hole for water
- ③ Steam switch
- ④ Child lock
- ⑤ Carrying handle
- ⑥ Mains connection cable with mains plug
- ⑦ Indicator light (green) - mains voltage present
- ⑧ Steam boiler
- ⑨ Steam nozzle
- ⑩ Unlocking button

- ⑪ Steam hose
- ⑫ Steam gun
- ⑬ Unlocking button
- ⑭ Steam connector
- ⑮ Spotlight nozzle
- ⑯ Round brush
- ⑰ Power nozzle
- ⑱ Manual nozzle
- ⑲ Microfibre cover for manual nozzle (1 x)
- ⑳ ** Microfibre cover for manual nozzle (2 x)
- ㉑ ** Extension tubes (2 x)
- ㉒ Unlocking button
- ㉓ ** Floor nozzle
- ㉔ Hook and loop fastener
- ㉕ ** Microfibre floor cloth
- ㉖ Measuring jug

** optional

Initial Start-Up

During initial start-up, a small cloud of smoke may be emitted from the steam nozzle. The appliance requires a short run-in time. At the start, the steam output is very irregular and damp, single droplets of water may even leak out. The steam volume that leaks out increases constantly until the maximum quantity has been reached after approx. 1 minute.

Installation

Installing accessories

1. Push the open end of the accessory onto the steam nozzle or steam gun until the unlocking button of the steam nozzle or steam gun engages.
Illustration F
Illustration I
Illustration J
2. Push the open end of the accessory onto the spotlight nozzle.
Illustration K
3. Connect the connection pipes with the steam nozzle or steam gun.
 - a Push the 1st extension tube onto the steam nozzle or steam gun until the unlocking button of the steam nozzle or steam gun engages. The connection pipe is connected.
 - b Push the 2nd extension tube onto the 1st extension tube. The connection pipes are connected.**Illustration N**
4. Push the accessory and/or the floor nozzle onto the free end of the extension tube.
Illustration O
The accessory is connected.

Disconnecting accessories

1. Push the child lock down.
Illustration G
The switch is locked.

- Push the unlocking button and pull the parts apart.

Illustration L
Illustration M

Operation

Filling water

Note

Descaling the steam boiler is not required if commercially available distilled water is used.

Note

Warm water reduces the heating-up time.

Note

To do this use the measuring jug supplied. When filling the water, pay attention to the marking (max. 200 ml).

- Unscrew the safety lock.

Illustration B

- Fill a maximum of 200 ml distilled water or tap water into the steam boiler.
- Insert the safety lock.

Illustration C

Switch on the appliance

WARNING

Risk of scalding

The appliance has a high water outlet if you incline more than 30° to the side.

Do not incline the appliance more than 30° (maximum angle) to the side.

- Place the appliance on a firm subsurface.
- Insert the mains plug into a socket.

Illustration D

Indicator light lights up green.

After approx. 3 minutes, the appliance is ready for use.

Illustration E

- Push the child lock up.

Illustration G

The switch is unlocked.

- Press the switch.

Illustration H

Steam leaks out.

Refilling water

If the steam volume is reduced during work or if no more steam volume comes out, the water will have to be refilled.

Note

The safety lock cannot be opened as long as the steam boiler is still pressurised.

Note

Warm water reduces the heating-up time.

- Switch the appliance off, see Chapter *Switch off the appliance*.

Illustration Q

- Unscrew the safety lock.
- Drain the water completely out of the steam boiler.

Illustration R

- Fill a maximum of 200 ml distilled water or tap water into the steam boiler.
- Insert the safety lock.
- Insert the mains plug into a socket.
- Push the child lock up.

The switch is unlocked.

The appliance is ready for use.

Switch off the appliance

- Pull the mains plug out of the socket.

Illustration Q

- Press the switch until no more steam escapes.

The steam boiler is depressurised.

- Push the child lock down.

Rinsing out the steam boiler

Rinse the appliance's steam boiler after completing the work.

- Switch the appliance off, see Chapter *Switch off the appliance*.
- Allow the appliance to cool down.
- Disconnect the accessory.
- Fill the steam boiler with water and swing it around vigorously. Lime residue which has been deposited on the bottom of the steam boiler will be released as a result.
- Drain the water completely out of the steam boiler.

Illustration R

Keep the appliance safe

- Disconnect the accessory.
- Drain the water completely out of the steam boiler.

Illustration R

- Coil the mains connection cable around the water reservoir.

Illustration S

- Allow the accessory to dry.
- Store the appliance in a dry location that is protected from frost.

ATTENTION

Material damage due to a stuck safety lock

If the safety lock is not removed after cleaning, there is a possibility that the lock could get stuck in the thread. After cleaning, unscrew the safety lock and store it, for example, with the other device accessories.

Important application instructions

Cleaning the floor areas

We recommend sweeping the floor or vacuum cleaning it before using the appliance. In this way the floor will be cleared of dirt and loose particles before the wet cleaning.

Freshening up textiles

Prior to using the appliance, always check the compatibility of the textiles at a concealed point: Steam down the textile, allow it to dry and then check it for any change in colour or shape.

Cleaning coated or painted surfaces

ATTENTION

Damaged surfaces

Steam can loosen wax, furniture polish, plastic coatings or paint and edge band from edges.

Do not direct the steam at glued laminated edges as the edge band may loosen.

Do not use the appliance for cleaning unsealed wood or parquet floors.

Do not use the appliance for cleaning painted or plastic coated surfaces such as kitchen or living room furniture, doors or parquet.

- To clean these surfaces, steam a cloth briefly and use it to wipe over the surfaces.

Glass cleaner

ATTENTION

Glass breakages and damaged surfaces

Steam can damage sealed points of the window frame and, at low outside temperatures, lead to tension on the surface of window panes and hence to glass breakages. Do not direct the steam at sealed points on the window frame.

At low outside temperatures, heat up the window panes by gently steaming the full surface of the glass.

- Clean the window area with a manual nozzle and cover. To remove the water, use a squeegee or wipe the surfaces dry.

How to use the Accessories

Steam nozzle/steam gun

The steam nozzle or steam gun can be used for the following application areas without accessories:

- For removing slight creases from the hanging clothing items: Steam the clothing item from a distance of 10-20 cm.
- For wiping damp dust: Steam a cloth briefly and use it to wipe over the furniture.

Spotlight nozzle

The spotlight nozzle is suitable for cleaning areas, joints, fittings, drains, sinks, WCs, blinds or radiators that are difficult to access. The closer the spotlight nozzle is to the soiled area, the greater the cleaning efficiency will be as the temperature and steam volume are at their highest at the nozzle opening. Larger lime deposits can be treated before steam cleaning with a suitable detergent. Allow the detergent to soak in for approx. 5 minutes and then steam it off.

1. Push the open end of the spotlight nozzle onto the steam nozzle or steam gun.

Illustration F

Illustration J

Round brush

The round brush is used for cleaning stubborn dirt. Stubborn dirt can be removed more easily by brushing.

ATTENTION

Damaged surfaces

The brush may scratch sensitive surfaces.

It is not suitable for cleaning sensitive surfaces.

1. Install the round brush on the spotlight nozzle.

Illustration K

Power nozzle

The power nozzle is used for cleaning stubborn dirt, blowing down corners, joints etc.

1. Install the power nozzle onto the spotlight nozzle according to the round brush.

Illustration K

Manual nozzle

The manual nozzle is used for cleaning small areas that can be washed down, shower cubicles and mirrors.

1. Push the manual nozzle onto the steam nozzle or the steam gun according to the spotlight nozzle.

Illustration J

2. Pull the cover over the manual nozzle.

Floor nozzle

The floor nozzle is used for cleaning washable wall and floor coverings e.g. stone floors, tiles and PVC floors.

ATTENTION

Damage due to build-up of steam

Heat and moisture can lead to damage.

Check the heat resistance and steam effect on an inconspicuous area using a minimal volume of steam prior to use.

Note

Detergent residue or care emulsions on the surface to be cleaned can lead to streaks during steam cleaning, which will disappear however once these have been used several times.

We recommend sweeping the floor or vacuum cleaning it before using the device. In this way the floor will be cleared of dirt and loose particles before the wet cleaning commences. Work slowly on surfaces that are heavily soiled so that the steam has longer to take effect.

1. Connect the extension tubes with the steam gun.

Illustration N

2. Push the floor nozzle onto the extension tube.

Illustration O

3. Fasten the floor cleaning cloth to the floor nozzle.
 - a Place the floor cleaning cloth with the hook and loop fastener strips pointing upwards on the floor.
 - b Place the floor nozzle onto the floor cleaning cloth, applying slight pressure.

Illustration P

The floor cleaning cloth will stick to the floor nozzle of its own accord due to the hook and loop fastener.

Removing the floor cleaning cloth

1. Place one foot on the bottom corner of the floor cleaning cloth and lift the floor nozzle up.

Illustration P

Note

Initially, the floor cleaning cloth's hook and loop fastener strip is very strong and cannot be removed from the floor nozzle easily. After the floor cleaning cloth has been used several times and washed, it is easier to remove from the floor nozzle and it has reached the optimum adhesion.

Care and service

Descaling the steam boiler

Note

Since the lime becomes caked on the appliance, we recommend descaling the appliance as specified in the table (BF=boiler fillings) based on the number of times the steam boiler is filled.

Hardness range	°dH	mmol/l	KF
I	soft	0-7	35
II	Medium	7-14	30
III	Hard	14-21	20
IV	Very hard	>21	15

Note

Your water board or municipal utilities authority can provide information on hardness of tap water.

ATTENTION

Damaged surfaces

The descaler may corrode sensitive surfaces.

Fill and empty the appliance carefully.

1. Switching off the device, see chapter *Switch off the appliance*.
2. Allow the device to cool down.
3. Unscrew the safety lock.
4. Drain the water completely out of the steam boiler.

Illustration R

ATTENTION

Appliance damage due to descaler

An unsuitable descaler or incorrect dosing of the descaler may damage the appliance.

Only use KÄRCHER descaler.

Use 1 dosing unit of the descaler for 0.5 l water.

5. Apply descaler solution to the descaler according to the details.
6. Fill the descaler solution into the steam boiler. Do not seal the steam boiler.
7. Allow the descaler solution to take effect for approx. 8 hours.
8. Drain descaler solution completely out of the steam boiler.
9. Repeat the descaling process if necessary.
10. Rinse the steam boiler 2-3 times with cold water in order to drain all the descaler solution residue.
11. Drain the water completely out of the steam boiler.

Illustration R

Care of accessories

(Accessories - depending on scope of delivery)

Note

The micro fibre cloths are not suitable for dryer.

Note

When washing the cloths, observe the instructions on the washing tag. Do not use any liquid softeners as this will affect the ability of the cloths to pick up dirt.

1. Wash the floor cleaning cloths and covers at a max. temperature of 60 °C in the washing machine.

Troubleshooting guide

Malfunctions often have simple causes that you can remedy yourself using the following overview. When in doubt, or in the case of malfunctions not mentioned here, please contact your authorised Customer Service.

⚠ WARNING

Risk of electric shock and burns

Trying to eliminate faults while the appliance is connected to the mains or has not yet cooled down is always dangerous.

Remove the mains plug.

Allow the appliance to cool down.

Reduced steam quantity

The steam nozzle is blocked.

1. Disconnect the accessory from the steam nozzle.
2. Clean the nozzle insert.
3. Start up the appliance briefly.
4. Attach the accessory to the steam nozzle.

The steam boiler is scaled.

- Descal the steam boiler.

No steam

No water in the steam boiler

- Refill water, see Chapter *Refilling water*.

The switch cannot be pressed

The switch is locked with the child lock.

- Push the child lock up.

The switch is unlocked.

High water egress

The appliance is "spitting out" water

- Do not incline the appliance more than 30° (maximum angle) to the side during cleaning.
- Do not exceed the maximum filling quantity of 200 ml.

Technical data

Electrical connection

Voltage	V	220-240
Phase	~	1
Frequency	Hz	50-60
Protection class		IPX4
Protection category		I

Performance data

Heating capacity	W	1200
Maximum operating pressure	MPa	0.3
Heating-up time	Minutes	3
Continuous steaming	g/min	35
Maximum steam blast	g/min	80

Filling quantity

Steam boiler	ml	250
Maximum filling quantity	ml	200

Dimensions and weights

Weight (without accessories)	kg	1.5
Length	mm	321
Width	mm	127
Height	mm	186

Subject to technical modifications.



THANK YOU!
MERCI! DANKE! ¡GRACIAS!



Registrieren Sie Ihr Produkt und profitieren Sie von vielen Vorteilen.

Register your product and benefit from many advantages.

Enregistrez votre produit et bénéficiez de nombreux avantages.

Registre su producto y aproveche de muchas ventajas.

www.kaercher.com/welcome



Bewerten Sie Ihr Produkt und sagen Sie uns Ihre Meinung.

Rate your product and tell us your opinion.

Évaluer votre produit et dites-nous votre opinion.

Reseñe su producto y díganos su opinión.



www.kaercher.com/dealersearch

Alfred Kärcher SE & Co. KG
Alfred-Kärcher-Str. 28-40
71364 Winnenden (Germany)

