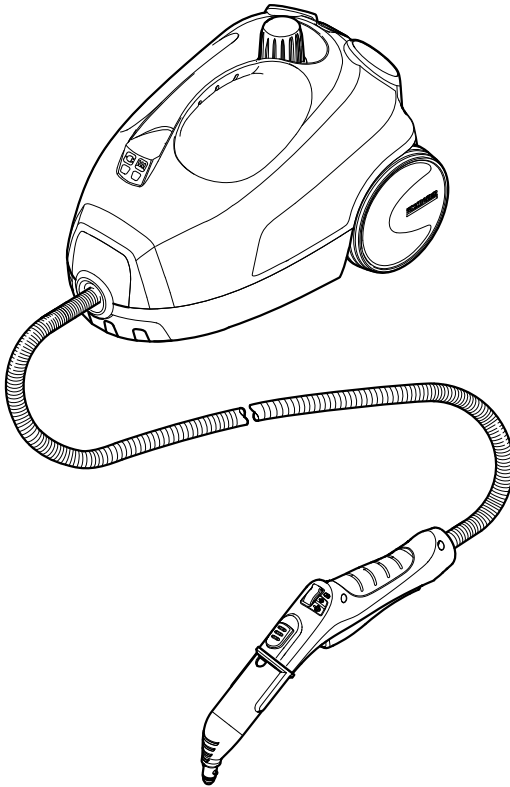


## SC 2 EasyFix

### OPERATING INSTRUCTIONS

Please read these operating instructions carefully before using the unit

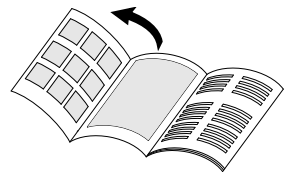
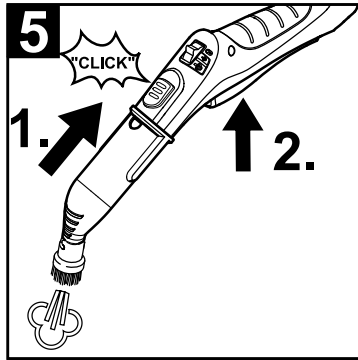
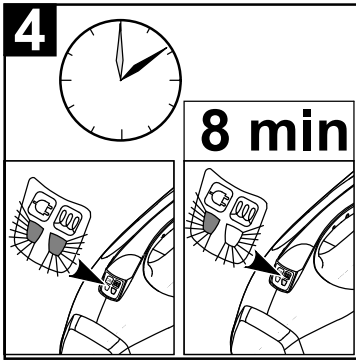
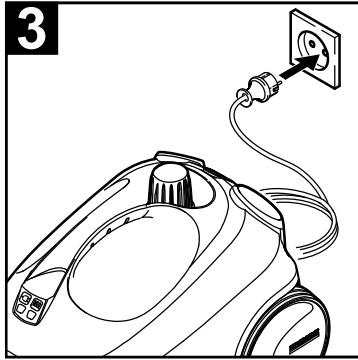
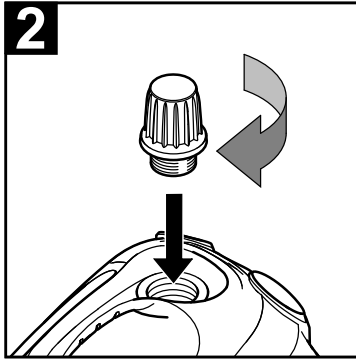
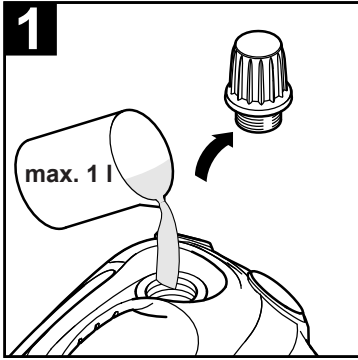


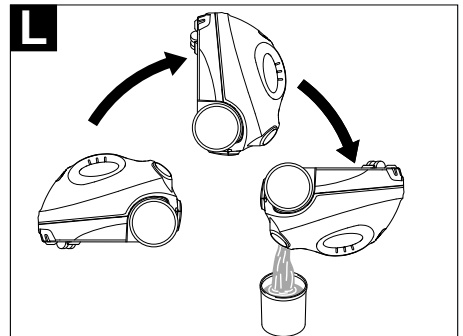
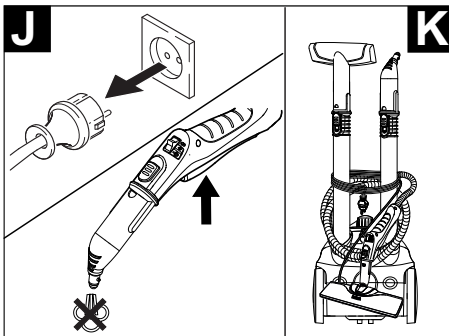
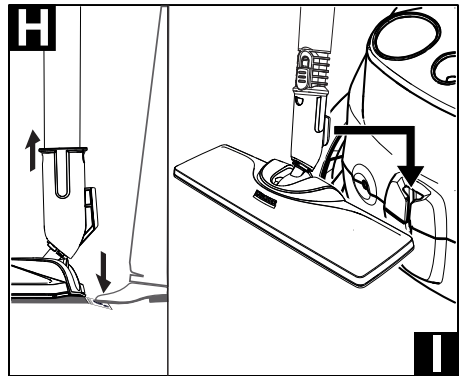
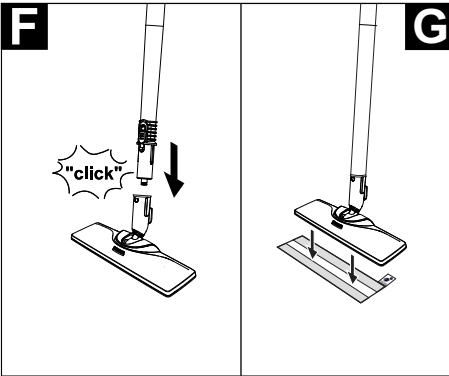
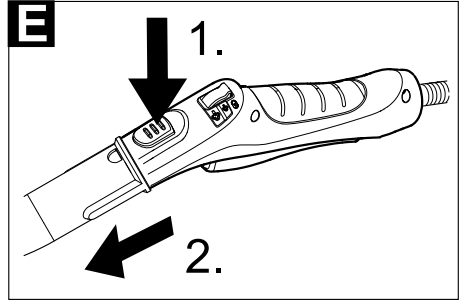
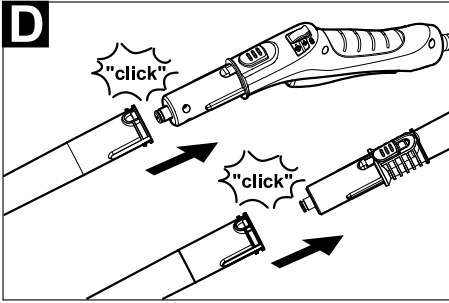
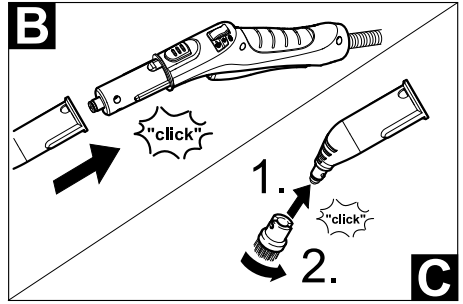
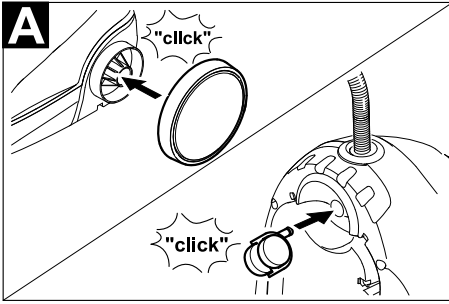
**Register  
your product**

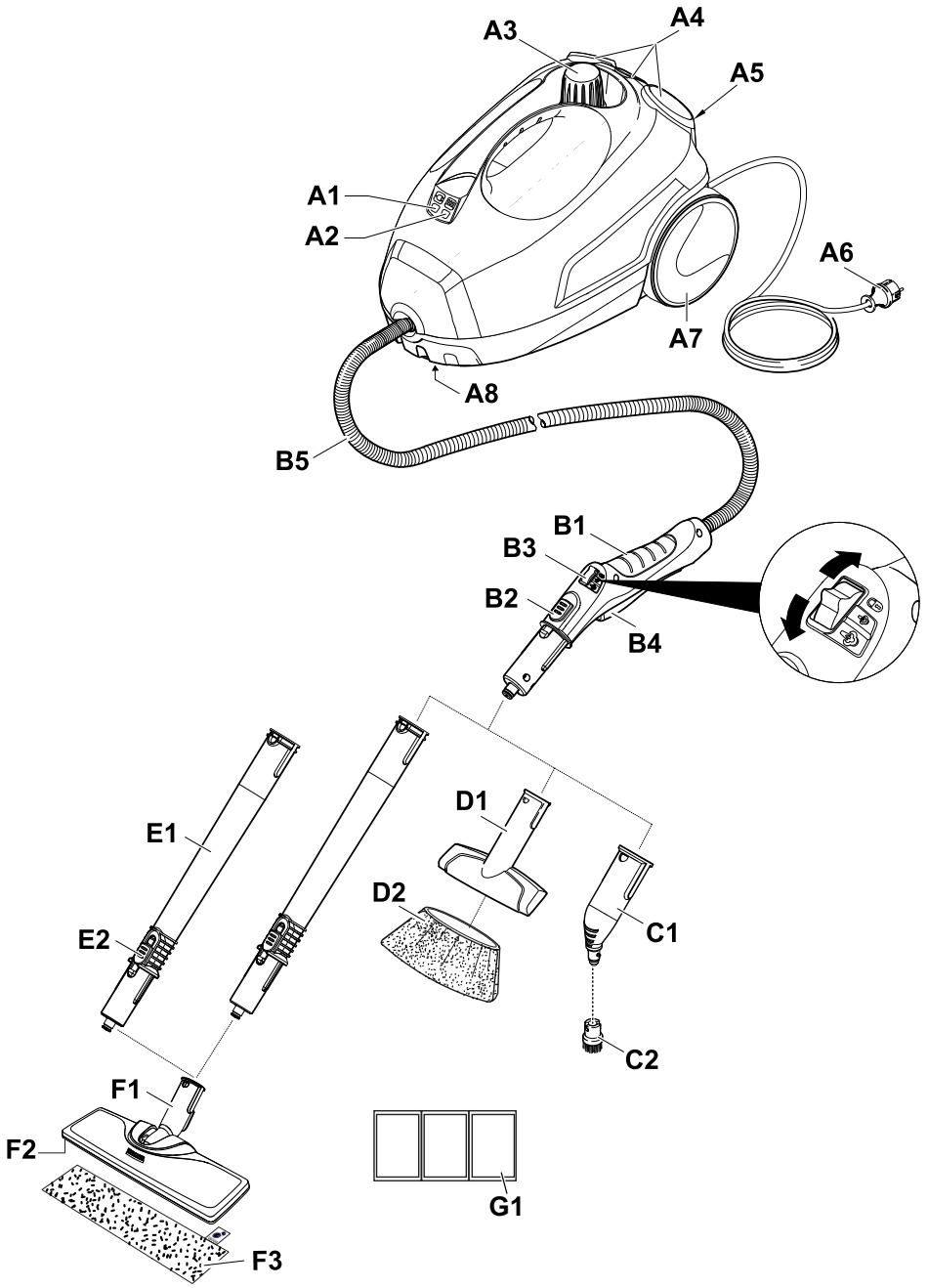
[www.kaercher.com/welcome](http://www.kaercher.com/welcome)



59682860 (10/22)







## Contents

General information . . . . .	5
Safety Instructions for Steam Cleaners . . . . .	5
Safety Devices . . . . .	8
Description of the Appliance . . . . .	8
Quick Reference . . . . .	9
Operation . . . . .	9
How to Use the Accessories . . . . .	10
Care and maintenance . . . . .	10
Troubleshooting . . . . .	11
Technical specifications . . . . .	11
Customer Service . . . . .	11

## General information



Please read and comply with these original instructions prior to the initial operation of your appliance and store them for later use or subsequent owners.

### Proper use

Use the steam cleaner only for private households. The appliance is intended to be used with steam and can be used with the appropriate accessories as described in these operating instructions. You will not need any detergent. Please adhere to the safety instructions.

### Environmental protection



The packaging material can be recycled. Please do not place the packaging into the ordinary refuse for disposal, but arrange for the proper recycling.



Old appliances contain valuable materials that can be recycled. Please arrange for the proper recycling of old appliances. Please dispose your old appliances using appropriate collection systems.

### Notes about the ingredients (REACH)

You will find current information about the ingredients at:

[www.kaercher.com/REACH](http://www.kaercher.com/REACH)

### Scope of delivery

The scope of delivery of your appliance is illustrated on the packaging. Check the contents of the appliance for completeness when unpacking.

In the event of missing accessories or any transport damage, please contact your dealer.

## Accessories and Spare Parts

Only use original accessories and spare parts, they ensure the safe and trouble-free operation of the device. For information about accessories and spare parts, please visit [www.kaercher.com](http://www.kaercher.com).

## Warranty

The warranty terms published by the relevant sales company are applicable in each country. We will repair potential failures of your appliance within the warranty period free of charge, provided that such failure is caused by faulty material or defects in manufacturing. In the event of a warranty claim please contact your dealer or the nearest authorized Customer Service centre. Please submit the proof of purchase.  
(See address on the reverse)

## Safety Instructions for Steam Cleaners

- *Warnings and notes that are attached on the appliance provide important notes for the safe operation.*
- *Apart from the notes contained herein the general safety provisions and rules for the prevention of accidents of the legislator must be observed.*

## Hazard levels

### **DANGER**

*Pointer to immediate danger, which leads to severe injuries or death.*

### **WARNING**

*Pointer to a possibly dangerous situation, which can lead to severe injuries or death.*

### **CAUTION**

*Pointer to a possibly dangerous situation, which can lead to minor injuries.*

### **ATTENTION**

*Pointer to a possibly dangerous situation, which can lead to property damage.*

## Electric components

### **⚠ DANGER**

- *Never use the appliance in pools containing water.*
- *Do not level the steam jet directly at equipment that contains electrical components, such as the inside of ovens.*
- *Check the appliance and the accessories, especially the power cord, the safety lock and the steam hose for proper condition.*  
*Do not use the appliance in case of damage.*
- *If the power cord is damaged, please arrange immediately for the exchange by an authorized customer service or a skilled electrician.*
- *Promptly replace a damaged steam hose. You may only use a steam hose that is recommended by the manufacturer.*
- *Never touch the mains plug and the socket with wet hands.*
- *Always disconnect the mains plug and allow the steam cleaner to cool down before performing any maintenance work.*
- *Repair works may only be performed by the authorized customer service.*
- *The connection between the power cord and extension cable must not lie in water.*

### **⚠ WARNING**

- *The appliance may only be connected to an electric supply that has been installed by an electrician in accordance with IEC 60364.*
- *The appliance may only be connected to alternating current. The voltage must correspond with the type plate of the appliance.*
- *In wet rooms, e.g. bathrooms, connect the appliance to sockets with a series connected RCD adapter.*
- *Only use splash-proof electrical extension cables with a minimum cross-section of 3x1 mm<sup>2</sup>*
- *Replace couplings at the power cord or extension cable only with couplings that have the same protection against splashing water and the same mechanical strength.*
- *Be very careful while cleaning tiled walls with sockets.*

### **⚠ CAUTION**

- *Make sure that the power cord or extension cable is not damaged by running over, pinching, dragging or the like. Protect the power cords from heat, oil, and sharp edges.*

## Safe handling

### **⚠ DANGER**

- *The user must use the appliance as intended. The person must consider the local conditions and must pay attention*

*to other persons in the vicinity when working with the appliance.*

- *The appliance may not be operated in explosive atmospheres.*
- *If the appliance is used in hazardous areas the corresponding safety provisions must be observed.*
- *Do not use the appliance if it fell down, is visibly damaged or leaking.*
- *Never use the appliance to clean objects containing hazardous substances (e.g. asbestos).*
- *Never touch the steam jet from a short distance with your hands and never direct the steam jet to persons or animals (risk of scalds).*
- *Never open the maintenance / safety lock during operation. Allow appliance to cool down first.*
- *Do not fill in detergents or other additives!*
- *Risk of scalding when the boiler is hot. Allow the boiler to cool down prior to filling in water.*
- *Do not use vinegar or similar agents.*

**△ WARNING**

- *The appliance must not be operated by children or persons who have not been instructed accordingly.*
- *This appliance is not intended for use by persons with limited physical, sensory or mental capacities or lacking expe-*

*rience and/or skills, unless such persons are accompanied and supervised by a person in charge of their safety or they have received precise instructions on the use of this appliance and have understood the resulting risks.*

- *Children must not play with this appliance.*
- *Supervise children to prevent them from playing with the appliance.*
- *Keep appliance out of reach of children as long as it is switched on or hasn't cooled down.*
- *Operate or store the appliance only in accordance with the description or illustration!*
- *Do not wedge the steam lever / the steam button during operation.*
- *Only switch on the appliance when there is water in the boiler. Otherwise the appliance might overheat (see Troubleshooting).*
- *Hot water may drip out of the accessory parts while you are detaching them! Allow appliance to cool down.*
- *Never separate accessories from the appliance as long as steam is escaping!*

**△ CAUTION**

- *Create stability for the appliance prior to any work on or with the appliance to prevent accidents or damage.*

- *Never fill solvents, solvent-containing liquids or undiluted acids (e.g. detergents, benzene, paint thinner, and acetone) into the boiler as these substances affect the materials used on the appliance.*
- *Never leave the appliance unattended as long as it is in operation.*

### **ATTENTION**

- *In case of longer breaks and after use, switch the appliance off at the main switch / appliance switch and pull the mains plug.*
- *Do not operate the appliance at temperatures below 0 °C.*
- *Protect the unit from rain. Do not store outside.*

### **⚠ CAUTION**

- *Place the appliance on a solid, even ground to ensure a safe footing.*
- *Do not carry the appliance during cleaning work.*

## **Descaling the boiler**

### **⚠ CAUTION**

- *Do not screw the safety lock onto the appliance during decalcification.*
- *Do not use the steam cleaner as long as there is decalcifying agent in the boiler.*
- *Be careful when filling and draining the steam cleaner with the decalcifying solution. The decalcifying solution can corrode sensitive surfaces.*
- *Do not use vinegar or similar agents.*

## **Symbols on the machine**

### **⚠ CAUTION**



*Danger of scalding by steam!*

### **Safety Devices**

#### **⚠ CAUTION**

*Safety devices protect the user and must not be modified or bypassed.*

#### **Pressure controller**

The pressure controller keeps the boiler pressure during the operation as constant as possible. The heating is turned off if the maximum operating pressure of 4 bar is reached in the boiler and is reactivated in case of a pressure drop in the boiler due to steam tapping.

#### **Safety thermostat**

The safety thermostat turns off the appliance if the pressure controller fails and the appliance overheats in case of a malfunction. Please contact your local KÄRCHER customer service to arrange for the reset of the safety thermostat.

#### **Safety lock**

The safety lock seals the boiler against the steam pressure that builds up in the boiler. If the pressure controller is defect and the steam pressure in the boiler rises, a pressure control valve in the safety lock opens, and steam is emitted through the lock to the outside. Please contact your local KÄRCHER customer service before you put the appliance into operation again.

### **Description of the Appliance**

→ Illustrations on fold-out page!



- A1 Indicator lamp (green) – line voltage is on
- A2 Indicator lamp - heater (ORANGE)
- A3 Safety cap
- A4 Holder for accessories
- A5 Storage holder for floor nozzle
- A6 Mains cable with mains plug
- A7 Running wheels (2 ea.)
- A8 Steering roller
- B1 Steam gun
- B2 Unlocking button
- B3 Selector switch for the steam volume (with child protection)
- B4 Steam lever
- B5 Steam hose
- C1 Detail nozzle
- C2 Round brush
- D1 Hand nozzle
- D2 Hand nozzle microfibre cover
- E1 Extension tubes (two tubes)
- E2 Unlocking button
- F1 Floor nozzle
- F2 Hook and loop fastener
- F3 Microfibre floor cloth
- G1 Descaler



## Quick Reference

### → Illustrations on Page 2

#### Illustration 1

- Unscrew the safety lock and fill the steam cleaner with a max. of 1 litre of water.

#### Illustration 2

- Screw in safety cap.

#### Illustration 3

- Plug in the mains plug.

#### Illustration 4

- The green and orange indicator lamps light up. Wait until the orange indicator lamp goes out.

#### Illustration 5

- Connect the accessories to the steam gun. The steam cleaner is ready to use.

## Operation

### Attaching the Accessories

#### Illustration A

- Insert steering roller and transport wheels and lock them.

#### Illustration B

- Connect the required accessories (see Chapter "How to use the accessories") to the steam gun. Insert the open end of the accessory on the steam gun and push onto the steam gun until the unlocking button of the steam gun locks into place.

#### Illustration D

- Use the extension tubes if necessary. To do so, connect one or both extension tubes to the steam gun. Insert the required accessories on the free end of the extension tube.

### Removing the Accessories

- Move the selector switch for the steam volume back (steam lever locked).

#### Illustration E

- To detach the accessory parts, press the unlocking button and pull the items apart.

### Fill up with water

#### Note:

If you always use usual commercial distilled water it is not necessary to descale the boiler.

#### ATTENTION

Do not use condensation water from the drier!

Do not fill in detergents or other additives!

- Remove the safety lock from the device.

#### Illustration L

- Completely empty the steam boiler to remove existing water.
- Fill the boiler with a maximum of 1 liters of fresh tap water.

#### Note:

You can cut down the heating-up time by using warm water.




- Screw the safety cap back onto the device.

### Turning on the Appliance

- Place the unit securely on a firm surface.
- Insert the mains plug into a socket. Both indicator lamps must illuminate.
- The orange indicator lamp goes out after approximately 8 minutes. The steam cleaner is ready to use.

## Adjusting the Steam Quantity

Use the selector switch for the steam volume to regulate the discharged steam. The selector switch has three positions:

	Maximum steam volume
	Reduced steam volume
	No steam - child protection <b>Note:</b> <i>In this lever position, the steam lever cannot be used.</i>

- Set selector switch to the required steam volume.
- While operating the steam switch, always direct the steam gun at a separate piece of cloth until the steam is emitted evenly.

#### Note:

The heating of the steam cleaner is turned on in regular intervals during the operation of the appliance in order to maintain the pressure in the boiler at a constant level. When the heating is turned on, the orange indicator lamp (heater) lights up.

## Refilling Water

Water needs to be filled into the boiler, if the steam volume decreases during work and no more steam is emitted in the end.

#### Note:

The safety lock cannot be opened as long as slight pressure remains in the boiler.

- Disconnect the mains plug from the socket.
- Push the steam switch until steam discharge stops. Now, the boiler of the appliance is unpressurized.
- Remove the safety lock from the device.
- Fill the boiler with a maximum of 1 liters of fresh tap water.
- Screw the safety cap back onto the device.
- Insert the mains plug into a socket.
- The orange indicator lamp goes out after approximately 8 minutes. The steam cleaner is ready to use.

## Turning Off the Appliance

#### Illustration U

- Disconnect the mains plug from the socket.
- Push the steam switch until steam discharge stops. Now, the boiler of the appliance is unpressurized.

## Storing the Appliance

#### Illustration K

- Put the extension pipes into the large accessory compartments.
- Insert the manual nozzle and detail nozzle onto each extension pipe.
- Put the round brush into the medium accessory compartments.
- Hook the floor nozzle into the parking position.
- Wrap the steam hose around the extension pipes and insert the steam pistol into the floor nozzle.

## ATTENTION

### Material damage due to a stuck safety lock

If the safety lock is not removed after cleaning, there is a possibility that the lock could get stuck in the thread. After cleaning, unscrew the safety lock and store it, for example, with the other device accessories.

## How to Use the Accessories

### Important application instructions

#### Cleaning floor surfaces

It is recommended to sweep or vacuum the floor prior to using the steam cleaner. This way, the floor is already cleared of dirt/loose particles prior to the wet cleaning.

#### Refreshing textiles

Prior to treatment with the steam cleaner, always check the reaction of the textiles in an inconspicuous location: Steam at first, then let dry and then check for colour or shape changes.

#### Cleaning of Coated or Lacquered Surfaces

When cleaning painted or plastic-coated surfaces, as found on kitchen and living room furniture, doors, parquet; wax, furniture polish, plastic surfaces or paint can come loose or stains can be created. When cleaning these surfaces, briefly steam a cloth and wipe the surfaces with it.

#### ATTENTION

*Never direct the steam jet at glued edges as the edge band may loosen. Do not use the steam cleaner on unsealed wooden or parquet floors.*

#### Cleaning of Glass

In case of low outside temperatures, especially in the winter, warm up the window pane by slightly steaming the entire glass surface. This will prevent tensions on the surface which might lead to glass breakage.

Then clean the window surface with the hand nozzle and attachment. Use a squeegee to remove the water or wipe the surfaces dry.

#### ATTENTION

*Do not direct steam onto the sealed locations of the window frame to prevent damage.*

### Steam gun

You can use the steam gun without any additional accessories, e.g.:

- to remove odours and wrinkles from hanging clothes by steaming them at a distance of 10 to 20 cm.
- to remove dust from plants. Here, keep a distance of 20-40 cm.
- for moist dusting, by briefly steaming the cloth and wiping the furniture with it.

### Detail nozzle

#### Illustration B

The closer this nozzle is to the contaminated area, the higher the cleaning effect, as the temperature and the steam are highest at the nozzle output. Especially suited for cleaning difficult access locations, joints, fittings, drains, sinks, toilets, blinds and heaters. Heavy lime scale can be drenched in vinegar prior to steam-cleaning. Let the vinegar penetrate for about 5 minutes.

### Round brush

The round brush can be installed onto the detail nozzle as an accessory. Attached brushes can therefore be used to remove heavy soiling.

#### ATTENTION

*Not suited for the cleaning of sensitive surfaces.*

#### Illustration C

- Attach the round brush to the detail nozzle.

### Hand nozzle

The manual nozzle is used for cleaning small areas that can be washed down, shower cubicles and mirrors.

#### Illustration E

- Push the manual nozzle onto the steam gun according to the spotlight nozzle.
- Pull the cover over the manual nozzle.

### Floor nozzle

The floor nozzle is used for cleaning washable wall and floor coverings e.g. stone floors, tiles and PVC floors.

#### ATTENTION

##### Damage due to build-up of steam

Heat and moisture can lead to damage. Check the heat resistance and steam effect on an inconspicuous area using a minimal volume of steam prior to use.

#### NOTICE

Detergent residue or care emulsions on the surface to be cleaned can lead to streaks, which will disappear however once these have been used several times. We recommend sweeping the floor or vacuum cleaning it before using the appliance. In this way the floor will be cleared of dirt and loose particles before the wet cleaning commences. Work slowly on surfaces that are heavily soiled so that the steam can impact longer.

#### Illustration D

- Connect the extension tubes with the steam gun.

#### Illustration F

- Push the floor nozzle onto the extension tube.

#### Illustration G

- Fasten the floor cleaning cloth to the floor nozzle. Place the floor cleaning cloth with the hook and loop strips pointing upwards on the floor. Place the floor nozzle onto the floor cleaning cloth, applying slight pressure.

The floor cleaning cloth will stick to the floor nozzle of its own accord due to the hook and loop fastening.

### Removing the floor cleaning cloth

#### Illustration H

- Place one foot on the bottom corner of the floor cleaning cloth and lift the floor nozzle up.

#### NOTICE

Initially, the floor cleaning cloth's hook and loop fastener strip is very strong and cannot be removed from the floor nozzle easily. After the floor cleaning cloth has been used several times and washed, it is easier to remove from the floor nozzle and it has reached the optimum adhesion.

### Parking the floor nozzle

#### Illustration I

#### Illustration K

- During work breaks, hook the floor nozzle into the parking holder.

### Care and maintenance

#### Rinsing the boiler

Rinse the steam cleaner boiler at the latest after 10 boiler fillings.

- Fill the boiler with water and shake it strongly. This dissolves lime scaling residing on the boiler bottom.
- Empty water out.

## Descaling the boiler

### Note:

If you always use usual commercial distilled water it is not necessary to descale the boiler.

As limescale builds up on the boiler walls, we recommend to descale the boiler in the following intervals (RF=reservoir fillings):

Degree of hardness	° dH	mmol/l	RF
I soft	0- 7	0-1,3	55
II medium	7-14	1,3-2,5	45
III hard	14-21	2,5-3,8	35
IV very hard	>21	>3,8	25

### Note:

Please contact your Conservancy Board or the local water supply company to inquire about the hardness of your water.

- Disconnect the mains plug from the socket.
- Allow device to cool down.
- Remove the safety lock from the device.

### Illustration

- Completely empty the steam boiler to remove existing water.

### ATTENTION

Only use products approved by KÄRCHER to exclude any damages of the appliance.

- Use KÄRCHER decalcifying agents for descaling. Please follow the dosing instructions on the packaging when preparing the descaler.
- Pour the descaling solution into the boiler and allow it to react for approximately 8 hours.
- Completely empty the descaling solution after 8 hours. A small amount of the solution will remain in the boiler. Therefore, you should rinse the boiler two to three times with cold water to remove any residues of the descaler.

### Illustration

- Completely empty the steam boiler to remove existing water.

## Care of the Accessories

(Accessories - depending on scope of delivery)

### NOTICE

The micro fibre cloths are not suitable for dryer.

### NOTICE

When washing the cloths, observe the instructions on the washing tag. Do not use any liquid softeners as this will affect the ability of the cloths to pick up dirt.

- Wash the floor cleaning cloths and covers at a max. temperature of 60 °C in the washing machine.

## Troubleshooting

Often, failures have simple causes and you can do the troubleshooting yourself using the following overview. If you are in doubt or if the failure is not listed here please contact the authorized customer service.

### Long heating-up time

#### Steam boiler is decalcified

- Descale the steam boiler.

## No steam

### No water in the steam boiler.

- Turn off the appliance.
- Fill the water reservoir

### Steam lever cannot be pressed anymore

Steam switch is secured with the lock / child-proof lock.

- Move the selector switch for the steam volume to the front.

## High water output

### Steam chamber too full

- Press the steam gun until less water is emitted.

### Steam boiler is decalcified

- Descale the steam boiler.

## Technical specifications

### Power connection

Voltage	220-240	V
	1~50-60	Hz

Protective class	I
------------------	---

Protection class	IPX4
------------------	------

### Performance data

Heating output	1500	W
----------------	------	---

Operating pressure max.	0,32	MPa
-------------------------	------	-----

Heating time	8	Minutes
--------------	---	---------

### Steam volume

Continuous steaming	40	g/min
---------------------	----	-------

Steam push max.	100	g/min
-----------------	-----	-------

### Dimensions

Boiler capacity	1,0	l
-----------------	-----	---

Weight (without accessories)	3,1	kg
------------------------------	-----	----

Width	254	mm
-------	-----	----

Length	380	mm
--------	-----	----

Height	260	mm
--------	-----	----

### Subject to technical modifications!







**THANK YOU!**  
**MERCI! DANKE! ¡GRACIAS!**



Registrieren Sie Ihr Produkt und profitieren Sie von vielen Vorteilen.

Register your product and benefit from many advantages.

Enregistrez votre produit et bénéficiez de nombreux avantages.

Registre su producto y aproveche de muchas ventajas.

**[www.kaercher.com/welcome](http://www.kaercher.com/welcome)**



Bewerten Sie Ihr Produkt und sagen Sie uns Ihre Meinung.

Rate your product and tell us your opinion.

Évaluer votre produit et dites-nous votre opinion.

Reseñe su producto y díganos su opinión.



**[www.kaercher.com/dealersearch](http://www.kaercher.com/dealersearch)**

**Alfred Kärcher SE & Co. KG**

Alfred-Kärcher-Str. 28-40

71364 Winnenden (Germany)

Tel.: +49 7195 14-0

Fax: +49 7195 14-2212

