

# KÄRCHER

makes a difference

## IVR-B 20/6

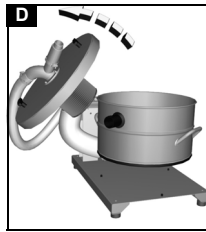
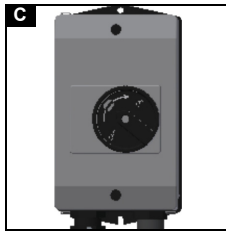
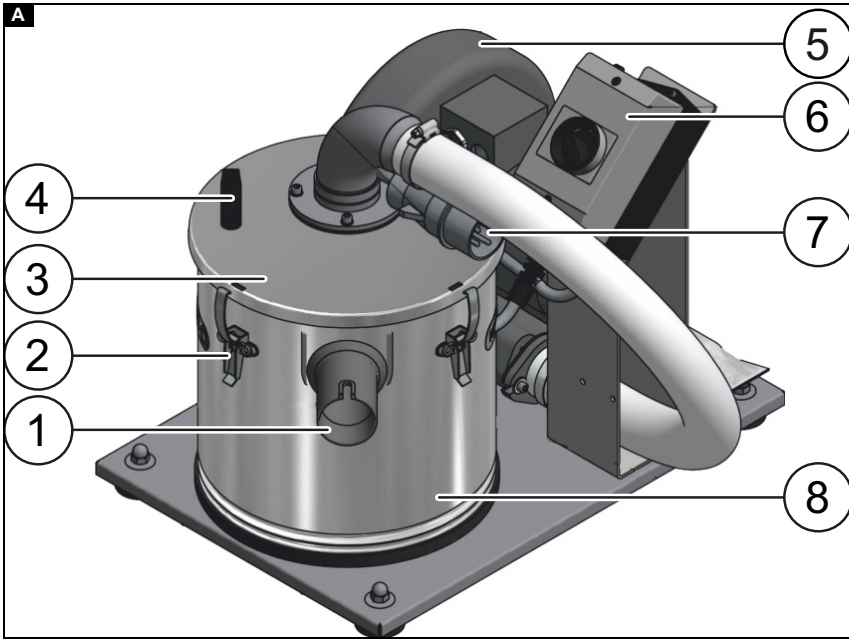
English	3
Español	9
Français	16



**Register  
your product**  
[www.kaercher.com/welcome](http://www.kaercher.com/welcome)



9.988-823.0 (10/17)



## Contents

Important Safety Instructions . . . . .	3
Intended use . . . . .	5
Environmental protection . . . . .	5
Accessories and spare parts . . . . .	5
Scope of delivery . . . . .	6
Warranty . . . . .	6
Safety instructions . . . . .	6
Safety devices . . . . .	6
Device description . . . . .	6
Initial startup . . . . .	6
Operation . . . . .	7
Transport . . . . .	7
Storage . . . . .	7
Care and service . . . . .	7
Troubleshooting guide . . . . .	7
Technical data . . . . .	8

## Important Safety Instructions

### READ ALL INSTRUCTIONS BEFORE USING THIS MACHINE

- Inform your dealer immediately if there is any shipping damage.
  - Completely remove the accessories from the box.
  - The suction unit is not suitable for sucking up hazardous dusts as asbestos. Please consult your Kärcher branch or your Kärcher dealer with regard to such applications.
  - Only operate the vacuum from a grounded outlet. Refer to the Technical data for the necessary main fuse.
  - Connect to a properly grounded outlet only. See Grounding Instructions.
- When using an electrical machine, basic precautions should always be followed, including the following: This vacuum is intended for commercial use.
- 1 DISCONNECT VACUUM CLEANER FROM POWER CIRCUIT before removing the cover, performing maintenance work, and when not in use.

- 2 DO NOT LEAVE the machine unattended when plugged in.
- 3 ALWAYS CHECK THE POWER SUPPLY CORD for damage or signs of any aging before each use.
- 4 DO NOT PULL OR CARRY VACUUM CLEANER BY CORD. Do not close door on cord or pull cord around sharp edges.
- 5 KEEP CORD AWAY FROM HEAT AND OIL. Do not leave cord lying around after job is complete. It can become a tripping hazard.
- 6 DO NOT RUN VACUUM OVER CORD.
- 7 TURN SWITCH TO OFF before unplugging power supply cord.
- 8 DO NOT UNPLUG BY PULLING-CORD. To unplug, grasp plug, not cord.
- 9 DO NOT GRASP PLUG WITH WET HANDS.
- 10A DAMAGED CORD OR PLUG should only be replaced by an authorized service center representative. DO NOT ATTEMPT TO REPAIR POWER CORD.
- 11 TO AVOID SHOCK, do not expose to rain. Store indoors.
- 12 USE ONLY AS RECOMMENDED BY THIS MANUAL. Use only with recommended attachments.
- 13 KEEP HAIR, CLOTHING, LOOSE JEWELRY, FINGERS and all parts of the body away from openings and moving parts.
- 14 DO NOT BLOCK OR OBSTRUCT OPENINGS. Keep openings free of lint, hair, dust, and anything that restricts air flow.
- 15 DO NOT PICK UP ANYTHING THAT IS BURNING, smoldering, or smoking such as matches, cigarettes, or hot ashes.

- 16DO NOT USE TO VACUUM COMBUSTIBLE EXPLOSIVE MATERIALS, such as coal, grain, and other finely divided combustible material.
- 17DO NOT USE TO VACUUM COMBUSTIBLE, hazardous, toxic, or carcinogenic materials, including gasoline, diesel fuel, acetone, paint thinner, heating oils, undiluted acids and solvents, pesticide, and asbestos.
- 18USE RECOMMENDED FILTERS when vacuuming drywall materials.
- 19DO NOT USE WITHOUT FILTER and/or dust bag in proper place.
- 20CONNECT VACUUM CLEANER WITH PROPERLY GROUNDED OUTLET ONLY. See grounding instructions.
- 21DO NOT ALLOW VACUUM CLEANER TO BE USED AS A TOY. Keep children away from Vacuum Cleaner.
- 22DO NOT LEAVE UNATTENDED while Vacuum Cleaner is running.
- 23DO NOT USE IF CORD, PLUG, FILTER, OR VACUUM CLEANER IS IN POOR CONDITION. If the Vacuum Cleaner has been dropped, damaged, exposed to weather, or dropped into water; have it checked by an authorized service.
- 24ALWAYS USE EYE PROTECTION when operating Vacuum Cleaner.
- 25USE EXTRA CAUTION when operating on stairs.
- 26STAY ALERT! Do not use Vacuum Cleaner when you are tired or under the influence of drugs, alcohol or medication.

### **SAVE THESE INSTRUCTIONS**

**This vacuum is intended for commercial use.**

### **SAFETY INSTRUCTIONS**

### **GROUNING INSTRUCTIONS**

- This appliance must be grounded. If it should malfunction or break down, grounding provides a path of least resistance for electric current to reduce the risk of electric shock.
- This appliance is equipped with a cord having an equipment grounding conductor and ground plug.
- The plug must be inserted into an appropriate outlet that is properly installed and grounded in accordance with all local codes and ordinances.

### **WARNING:**

- Improper connection of the equipment grounding conductor can result in a risk of electric shock.
- Check with a qualified electrician or service person if you are in doubt as to whether the outlet is properly grounded.
- Do not modify the plug provided with the appliance.
- If it will not fit the outlet, have a proper outlet installed by a qualified electrician.
- This appliance is for use on a nominal 120-volt circuit, and has a grounded plug that looks like the plug illustrated in Fig.A.
- A temporary adapter that looks like the adapter illustrated in Fig.B, may be used to connect this plug to a two-pole receptacle as shown in Fig.B, if a properly grounded outlet is not available.
- The temporary adapter should be used only until a properly grounded outlet (Fig.A) is installed by a qualified electrician.
- The green colored rigid ear, lug, or the like extending from the adapter must be connected to a perma-

ment ground such as a properly grounded outlet box cover.

- Whenever the adapter is used, it must be held in place by a metal screw.

**IN ALL CASES, MAKE SURE THE RECEPTACLE IN QUESTION IS PROPERLY GROUNDED.**

**NEVER REMOVE GROUNDING PRONG FROM POWER PLUG.**

**EXTENSION CORDS**

Use only three-wire extension cords that have three-prong grounding-type plugs and three-pole receptacle that accepts the appliance's plug. Replace damaged or worn cord immediately.

**DO NOT ATTEMPT TO REPAIR POWER CORD.**

Note: In Canada, the use of a temporary adapter is not permitted by the Canadian Electrical Code.

**Servicing of double-insulated machines**

In a double-insulated machine, two systems of insulation are provided instead of grounding. No grounding means is provided on a double-insulated machine, nor should a means for grounding be added to the machine. Servicing a double-insulated machine requires extreme care and knowledge of the system, and should be done only by qualified service personnel. Replacement parts for a double-insulated machine must be identical to the parts they replace.

### Intended use

## ⚠ WARNING

### Health risk

Inhalation of dusts that are harmful to health

Do not use the device for vacuuming up dusts that are harmful to health.

## ATTENTION

### Damage to the device

Short-circuit due to high levels of humidity

Only use and store the device indoors.

The device is intended for:

- Vacuuming:
  - Non-flammable and non-explosive substances
  - Dusts
  - Coarse dirt
- Industrial application

The device is not suitable for vacuuming liquids or oily substances.

Any other use will be regarded as improper use.

### Environmental protection



The packing materials can be recycled. Please dispose of packaging in accordance with the environmental regulations.



Electrical and electronic appliances contain valuable, recyclable materials and often components such as batteries, rechargeable batteries or oil, which - if handled or disposed of incorrectly - can pose a potential threat to human health and the environment. However, these components are required for the correct operation of the appliance. Appliances marked by this symbol are not allowed to be disposed of together with the household rubbish.

### Notes on the content materials (REACH)

Current information on content materials can be found at: [www.kaercher.com/REACH](http://www.kaercher.com/REACH)

### Accessories and spare parts

Only use original accessories and original spare parts. They ensure that the appliance will run fault-free and safely.

Information on accessories and spare parts can be found at [www.kaercher.com](http://www.kaercher.com).

### Scope of delivery

The scope of delivery for the appliance is shown on the packaging. Check the contents for completeness when unpacking. If any accessories are missing or in the event of any shipping damage, please notify your dealer.

### Warranty

The warranty conditions issued by our relevant sales company apply in all countries. We shall remedy possible malfunctions on your appliance within the warranty period free of cost, provided that a material or manufacturing defect is the cause. In a warranty case, please contact your dealer (with the purchase receipt) or the next authorised customer service site. (See overleaf for the address)

### Safety instructions

## ATTENTION

### Risk of explosion

Injuries due to parts being flung around  
Do not use the device in explosive spaces.

### ⚠ CAUTION

#### Danger of injury

Hands could become trapped when removing and replacing the container lid. Wear suitable protective gloves.

### ⚠ CAUTION

#### Danger of injury

Electrical shock in the event of a short-circuit

The maximum permissible mains grid impedance at the electrical connection point (see Technical data) must not be exceeded.

Contact your electricity supplier in the case of any uncertainties regarding the

mains grid impedance at your electrical connection point.

## ATTENTION

### Damage to the device

Do not use the device without a filter or with a damaged filter.

- In the event of an emergency (e.g. if you vacuum up flammable materials, in the event of a short-circuit or other electrical faults), switch off the device and remove the mains plug.
- After completing work, switch off the device and remove the mains plug.

### Safety devices

#### Motor circuit breaker

The motor circuit breaker shuts off the device if power consumption is too high.

### Device description

For the figures, please refer to the graphics page

#### Illustration A

- ① Suction hose connection
- ② Locking clip
- ③ Container lid
- ④ Handles for the container lid
- ⑤ Suction turbine
- ⑥ Power switch
- ⑦ Mains cable
- ⑧ Container

### Initial startup

For the figures, please refer to the graphics page

1. Bring the device into the working position.
2. Check the lid on the container for a correct fit.
3. Lock the locking clip.
4. Insert the suction hose into the suction hose connection.

#### Illustration B

## Operation

### Starting operation

For the figures, please refer to the graphics page

1. Plug the mains plug into the socket.
2. Set the power switch to "ON" position.

#### Illustration C

The device is switched on.

3. Start vacuuming.

### Emptying the container

For the figures, please refer to the graphics page

1. Set the power switch to "OFF" position.

The device is switched off.

2. Pull the mains plug out of the socket.
3. Unlock the locking clip.
4. Remove the container lid and put it to one side.

#### Illustration D

5. Remove the suction hose from the suction hose connection.
6. Remove the container from the base plate.
7. Empty the container.
8. Dispose of or reuse the contents in accordance with statutory provisions.
9. Place the container on the base plate.
10. Insert the suction hose into the suction hose connection.
11. Replace the lid on the container and check it for a correct fit.
12. Lock the locking clip.

### Cleaning the container

1. Empty the container (see chapter Emptying the container).
2. Remove deposits from the container.
3. Dispose of the deposits in accordance with statutory provisions.

## Note

The container can be cleaned wet. Do not use a high-pressure cleaner for cleaning. Allow the container to dry after cleaning.

### Finishing operation

1. Set the power switch to "OFF" position.

The device is switched off.

2. Pull the mains plug out of the socket.
3. Empty and clean the container (see chapter Cleaning the container).

## Transport

### ⚠ CAUTION

#### Failure to observe the weight

Risk of injury and damage

Be aware of the weight of the device during transport and storage.

1. When transporting in vehicles, secure the device against slipping and tipping over according to the applicable guidelines.

## Storage

### ⚠ CAUTION

#### Failure to observe the weight

Risk of injury and damage

Be aware of the weight of the device during transport and storage.

1. Store the device indoors only.

## Care and service

### Removing the cartridge filter

1. Remove the nut.
2. Remove the cartridge filter.
3. Replace the cartridge filter.
4. Tight the nut by hand.

## Note

Ensure that the filter has been inserted correctly.

## Troubleshooting guide

### ⚠ DANGER

#### Risk of electric shock

Injuries due to touching live parts

Switch off the device before performing any work on the device.

Remove the mains plug.

Have all checks and work on electrical parts performed by an expert.

**The motor (suction turbine) does not start up.**

No electrical voltage present.

1. Check the socket and the power supply fuse.

2. Check the mains cable and the mains plug of the device.

The motor circuit breaker has tripped.

1. Allow the motor to cool down.

2. Check the suction hose, the container and the exhaust outlet for a blockage.

3. Switch the device on.

4. If the motor circuit breaker trips again, cease operation and contact Customer Service.

**The suction power decreases.**

Nozzle, suction hose or suction pipe clogged.

1. Check the nozzle, the suction hose and the suction pipe and clean if necessary.

The filter is dirty.

1. Clean the filter.

## Technical data

### Electrical connection

Mains voltage	V	460
Phase	~	3
Power frequency	Hz	60
Nominal power	W	630
Protection class		IP 55
Protection class		I
Power protection (slow- A blowing)		16

### Device performance data

Container capacity	gal/m (l)	5.3 (20)
--------------------	--------------	-------------

Air quantity	CFM (l/s)	103 (48.6)
Vacuum	kPa (mbar)	7 (70)
Suction hose connection	in (mm)	2.1 (50)

### Dimensions and weights

Typical operating weight	kg	25
Length x width x height	mm	570 x 625 x 498

### Ambient conditions

Ambient temperature (max.)	°C	+5 - +40
----------------------------	----	-------------

### Determined values in acc. with EN 60335-2-69

Hand-arm vibration value	m/s <sup>2</sup>	< 2.5
K uncertainty	m/s <sup>2</sup>	0.2
Sound level L <sub>pA</sub>	dB(A)	65
K uncertainty <sub>pA</sub>	dB(A)	2

Subject to technical modifications.



## Índice de contenidos

INSTRUCCIONES IMPORTANTES DE SEGURIDAD . . . . .	9
Uso previsto . . . . .	12
Protección del medioambiente . . . . .	12
Accesorios y recambios . . . . .	12
Volumen de suministro . . . . .	12
Garantía . . . . .	12
Instrucciones de seguridad . . . . .	13
Dispositivos de seguridad . . . . .	13
Descripción del equipo . . . . .	13
Puesta en funcionamiento . . . . .	13
Servicio . . . . .	13
Transporte . . . . .	14
Almacenamiento . . . . .	14
Cuidado y mantenimiento . . . . .	14
Ayuda en caso de avería . . . . .	14
Datos técnicos . . . . .	15

## INSTRUCCIONES IMPORTANTES DE SEGURIDAD

### ANTES DE LA PRIMERA PUESTA EN MARCHA DEL APARATO DEBERÁN OBSERVARSE LOS SIGUIENTES PUNTOS

- Si al desembalar el aparato comprobara Vd. algún daño o desperfecto en el mismo atribuible al transporte, rogamos se dirija inmediatamente al distribuidor en donde adquirió el aparato.
- Extraiga la totalidad de las piezas y accesorios del aparato que se encuentran en el recipiente del mismo o en la caja de cartón del embalaje.
- El aparato no es apropiado para la aspiración de polvos nocivos para la salud, como por ejemplo amianto. Para este tipo de aplicaciones deberá ponerse en contacto con su Distribuidor o la Delegación Nacional de Kärcher.
- El aspirador sólo se deberá conectar a tomas de corriente instaladas correctamente y provistas de una puesta a tierra reglamentaria. Los datos necesarios para el fusible de

la red figuran en el apartado <<Características Técnicas>>.

- Conectar exclusivamente a una toma con puesta a tierra. Consultar las instrucciones de puesta a tierra. En caso de utilizar herramientas eléctricas acopladas al aparato, deberán observarse estrictamente todas las normas de seguridad básicas, a fin de prevenir cualquier riesgo de incendio, descargas eléctricas o daños o lesiones del personal encargado de manipular los mismos: Esta aspiradora está diseñada para uso comercial.

- 1 DESCONECTE LA ASPIRADORA DEL CIRCUITO DE ALIMENTACIÓN antes de quitar la tapa, antes de realizar trabajo de mantenimiento y cuando no la esté utilizando.
- 2 NO DEJAR EL APARATO sin vigilancia, mientras esté enchufado.
- 3 SIEMPRE VERIFIQUE QUE EL CABLE ELECTRICO no esté dañado o desperfecto antes de usar el aparato.
- 4 NO TIRE (Jale) O LLEVE LA ASPIRADORA POR EL CABLE ELECTRICO. Tampoco debe pellizcarlo con una puerta o estirarlo por ningún canto (borde) agudo.
- 5 NO EXPONGA EL CABLE A LO CALIENTE NI A ACEITES. Para prevenir un tropiezo, no deje el cable suelto después de usarlo.
- 6 NO PASE LA ASPIRADORA POR ENCIMA DEL CABLE DE ALIMENTACIÓN.
- 7 PONGA EL SELECTOR EN LA POSICION DE <<OFF>> antes de desenchufar el aparato.
- 8 NO DESENCHUFE EL CABLE DE UN TIRON (Jalón). Para desenchufarle agarre la clavija (enchufe) no el cable.

- 9 NO AGARRE LA CLAVIJA (ENCHUFE) CON LAS MANOS MOJADAS.
- 10 EL CABLE ELECTRICO (O LA CLAVIJA) sólo debe ser reemplazado por un representante de un Centro de Servicio Autorizado. SE NINGUNA MANERA DEBE INTENTAR LA REPARACION DEL CABLE ELECTRICO.
- 11 PARA PREVENIR CHOQUES ELECTRICOS, no exponga la herramienta a la lluvia. Guárdela en un lugar seco.
- 12 SOLO USE EL APARATO COMO ESTA RECOMENDADO EN ESTE MANUAL. También use únicamente los accesorios recomendados.
- 13 MANTENGA ALEJADOS EL CABELLO (PELO), ROPA, ALHAJAS SUELTAS, DEDOS o cualquier otra parte del cuerpo, de las aberturas y partes móviles de la máquina.
- 14 NO CUBRA NI OBSTRUYA LAS ABERTURAS. Mantenga las aberturas libres de pelusa, pelo, polvo y cualquier cosa que limite la circulación del aire.
- 15 NO ACOGE NINGUNA COSA QUE SE ESTE QUEMANDO, ardiendo sin llama o echando humo, tal como cigarrillos (cigarros), fósforos (cerillos) o cenizas calientes.
- 16 NO ASPIRE MATERIALES COMBUSTIBLES O EXPLOSIVOS, tal como carbón de piedra, cereales (o su polvo) u otra sustancia fina y combustible.
- 17 NO ASPIRE MATERIALES COMBUSTIBLES, peligrosos, tóxicos o carcinógenos por ejemplo: gasolina, gasoil (petróleo para diesel), acetona, diluyente para pintura, aceite combustible, ácidos y disolventes no diluidos, pesticidas y amianto (asbesto).
- 18 USE LOS FILTROS RECOMENDADOS para limpiar (aspirar) materiales de paredes en seco o paneles de yeso.
- 19 NO OPERE LA ASPIRADORA SIN FILTRO ni sin instalar la bolsa de polvo.
- 20 NO CONECTE LA ASPIRADORA A TOMAS DE CORRIENTE CON CONEXION A TIERRA. (Vea <<NORMAS DE SEGURIDAD>>).
- 21 NO DEJE QUE LA ASPIRADORA SEA USADA COMO JUGUETE. No permita que se acerquen niños a la Aspiradora.
- 22 NO DEJE LA ASPIRADORA EN MARCHA sin personal para cuidarla.
- 23 NO OPERE LA MAQUINA SI EL CABLE, EL ENCHUFE (La Clavija), EL FILTRO O LA PROPIA ASPIRADORA ESTA EN MALA CONDICION. Si la Aspiradora se ha caído o ha sido dañada o expuesta a la intemperie o si se ha caído en el agua, mándela o llévela a un representante de servicio autorizado para que el mismo verifique su funcionamiento.
- 24 SIEMPRE USE PROTECCION PARA LOS OJOS cuando opere la Aspiradora.
- 25 USE EXTREMA PRECAUCION al limpiar escaleras.
- 26 MANTENGASE ALERTA! No use la Aspiradora cuando esté cansado o bajo la influencia de medicación, alcohol o drogas.

**CONSERVE ESTAS INSTRUCCIONES**

**Esta aspiradora está diseñada para uso comercial.**

**INSTRUCCIONES DE SEGURIDAD**

## **INSTRUCCIONES DE PUESTA A TIERRA**

- Este aparato debe ser puesto a tierra. Si funciona mal o se estropea, la toma a tierra ofrece una ruta de menor resistencia para la corriente eléctrica para reducir el riesgo de una descarga eléctrica.
- Este aparato está equipado con un cable que tiene un conductor con toma a tierra para el equipo y un enchufe con toma a tierra.
- El enchufe se debe insertar en una clavija apropiada que esté instalada correctamente y puesta a tierra de acuerdo con los códigos y normativas locales.

### **ADVERTENCIA:**

- Una conexión incorrecta del conductor del equipo de toma a tierra puede provocar una descarga eléctrica.
- Consulte a un electricista cualificado o a un técnico si tiene dudas acerca de si el enchufe tiene la toma a tierra correcta.
- No modifique el enchufe suministrado del aparato.
- Si no encaja en el enchufe, solicite a un electricista cualificado que instale un enchufe correcto
- El aparato se usa con un circuito de 120 voltios y tiene un enchufe con toma a tierra que tiene el mismo aspecto que la ilustración A.
- Se puede usar un adaptador temporal como el de la ilustración B para conectar este enchufe a un receptáculo bipolar como se indica en la ilustración B si no hay un enchufe con toma a tierra correcto.
- El adaptador temporal sólo se debe usar hasta que el electricista

cualificado haya instalado el enchufe con toma a tierra (fig. A).

- La orejeta verde rígida o similares que se extiende desde el adaptador se debe conectar a una toma permanente a tierra como una cubierta de caja con toma a tierra correcta.
- Siempre que se use el adaptador se debe mantener sujeto con un tornillo metálico.

**EN TODOS LOS CASOS, ASEGÚRESE DE QUE EL RECEPTÁCULO EN CUESTIÓN TIENE UNA TOMA A TIERRA CORRECTA.**

**NO RETIRE LA TOMA A TIERRA DEL ENCHUFE DE ALIMENTACIÓN.**

**CABLES ALARGADORES**

Usar sólo cables alargadores de tres alambres que tengan enchufes triples y el receptáculo tripolar que acepta el enchufe del aparato. Sustituir inmediatamente el cable dañado o usado.

**NO INTENTE REPARAR EL CABLE DE ALIMENTACIÓN.**

Nota: En Canadá, el uso de un adaptador temporal no está permitido por el código canadiense de electricidad.

**Mantenimiento del aparato dotados de doble aislamiento**

Un aparato dotado de doble aislamiento incorpora dos sistemas de aislamiento en lugar de la puesta a tierra. Es decir, el aparato dotado de doble aislamiento no incorporan ningún conductor ni dispositivo de puesta a tierra ni hay que acoplar a dicionalmente a los mismos una puesta a tierra. Los trabajos de mantenimiento de un aparato dotado de un sistema de doble aislamiento requieren unos conocimientos particularmente amplios y completos de dicho dispositivo y del aparato en cuestión, debiendo ser ejecutados exclusivamente por personal

especializado del Servicio Técnico Postventa Oficial. En caso de tener que sustituir piezas o componentes defectuosos del aparato de doble aislamiento, las piezas de repuesto deberán ser idénticas a las piezas defectuosas.

## Uso previsto

### ⚠ **ADVERTENCIA**

#### **Riesgos para la salud**

Aspiración de polvos perjudiciales para la salud

No usar el equipo para la aspiración de polvos perjudiciales para la salud.

### **CUIDADO**

#### **Daño del equipo**

Cortocircuito debido a la elevada humedad del aire

Usar y almacenar el equipo solamente en interiores.

El equipo está destinado para

#### ● aspirar:

- Sustancias no inflamables y no explosivas
- Polvos
- Mucha suciedad

#### ● Para uso industrial

El equipo no es apto para aspirar líquidos o sustancias grasas.

Cualquier otro uso se considera inadecuado.

## Protección del medioambiente



Los materiales del embalaje son reciclables. Elimine los embalajes de forma respetuosa con el medioambiente.



Los equipos eléctricos y electrónicos contienen materiales reciclables y, a menudo, componentes, como baterías, acumuladores o aceite, que suponen un riesgo potencial para la salud de las personas o el medioambiente en caso de manipularse o elimi-

narse de forma inadecuada. Sin embargo, dichos componentes son necesarios para un servicio adecuado del equipo. Los equipos identificados con este símbolo no pueden eliminarse con la basura doméstica.

### **Avisos sobre sustancias contenidas (REACH)**

Encontrará información actual sobre las sustancias contenidas en:

[www.kaercher.com/REACH](http://www.kaercher.com/REACH)

## Accesorios y recambios

Utilice únicamente accesorios y recambios originales, estos garantizan un servicio seguro y fiable del equipo. Encontrará información sobre los accesorios y recambios en [www.kaercher.com](http://www.kaercher.com).

## Volumen de suministro

El volumen de suministro del equipo de muestra en el embalaje. Compruebe la integridad del volumen de suministro durante el desembalaje. Póngase en contacto con su distribuidor si faltan accesorios o en caso de daños de transporte.

## Garantía

En cada país se aplican las condiciones de garantía indicadas por nuestra compañía distribuidora autorizada. Subsanaemos cualquier fallo en su equipo de forma gratuita dentro del plazo de garantía siempre que la causa se deba a un fallo de fabricación o material. En caso de garantía, póngase en contacto con su distribuidor o con el servicio de postventa autorizado más próximo presentando la factura de compra.

(Dirección en el reverso)

## Instrucciones de seguridad

### CUIDADO

#### Peligro de explosión

Lesiones por piezas que salen despedidas

No utilizar el equipo en lugares con riesgo de explosión.

#### ⚠ PRECAUCIÓN

#### Peligro de lesiones

Las manos pueden quedar atrapadas al retirar y montar la tapa del recipiente.

Llevar guantes de protección adecuados.

#### ⚠ PRECAUCIÓN

#### Peligro de lesiones

Descarga eléctrica por cortocircuito  
No puede superarse la impedancia de red máxima admisible en el punto de conexión eléctrico (véanse los Datos Técnicos).

En caso de dudas sobre la impedancia de red presente en el punto de conexión, póngase en contacto con su empresa de abastecimiento eléctrico.

### CUIDADO

#### Daño del equipo

No usar el equipo sin un filtro o con un filtro dañado.

- En caso de emergencia (por ejemplo, al aspirar materiales inflamables, en caso de cortocircuito o con otros fallos eléctricos), desconectar el equipo y desenchufar el conector de red.
- Desconectar el equipo tras finalizar el trabajo y desenchufar el conector de red.

## Dispositivos de seguridad

### Guardamotor

En caso de un elevado consumo de corriente, el guardamotor desconecta el equipo.

## Descripción del equipo

Ver figuras en la página de gráficos

### Figura A

- ① Conexión para mangueras de aspiración
- ② Estribo de cierre
- ③ Tapa del recipiente
- ④ Asas de la tapa del recipiente
- ⑤ Turbina de aspiración
- ⑥ Interruptor del equipo
- ⑦ Cable de red
- ⑧ Recipiente

## Puesta en funcionamiento

Ver figuras en la página de gráficos

1. Colocar el equipo en posición de trabajo.
2. Comprobar que la tapa del recipiente esté bien colocada.
3. Cerrar el estribo de cierre.
4. Enchufar la manguera de aspiración en la conexión para mangueras de aspiración.

### Figura B

## Servicio

### Iniciar el servicio

Ver figuras en la página de gráficos

1. Conectar el conector de red a un enchufe.
2. Colocar el interruptor del equipo en posición "ON".

### Figura C

El equipo está conectado.

3. Iniciar el proceso de aspiración.

### Vaciar el recipiente

Ver figuras en la página de gráficos

1. Colocar el interruptor del equipo en posición "OFF".  
El equipo está desconectado.
2. Desenchufar el conector de red del enchufe.
3. Desbloquear el estribo de cierre.
4. Retirar la tapa del recipiente y colocarlo a un lado.

### Figura D

5. Extraer la manguera de aspiración de la conexión para mangueras de aspiración.
6. Extraer el recipiente de la placa base.
7. Vaciar el recipiente.
8. Eliminar o reciclar el contenido conforme a las normativas legales.
9. Colocar el recipiente sobre la placa base.
10. Enchufar la manguera de aspiración en la conexión para mangueras de aspiración.
11. Colocar la tapa del recipiente y comprobar que está bien colocada.
12. Cerrar el estribo de cierre.

### Limpiar el recipiente

1. Vaciar el recipiente (véase el capítulo Vaciar el recipiente).
2. Retirar los residuos del recipiente.
3. Eliminar los residuos conforme a las normativas legales.

### Nota

El recipiente se puede limpiar en húmedo. Durante la limpieza no utilizar ninguna limpiadora de alta presión. Tras la limpieza dejar secar el recipiente.

### Finalizar el servicio

1. Colocar el interruptor del equipo en posición "OFF".  
El equipo está desconectado.
2. Desenchufar el conector de red del enchufe.
3. Vaciar el recipiente y limpiarlo (véase el capítulo Limpiar el recipiente).

### Transporte

#### △ PRECAUCIÓN

##### Incumplimiento del peso

Peligro de daños y lesiones

Tenga en cuenta el peso del equipo para su transporte y almacenamiento.

1. Al transportar el equipo en vehículos, asegurarlo para evitar que resbale y vuelque conforme a las directivas vigentes.

### Almacenamiento

#### △ PRECAUCIÓN

##### Incumplimiento del peso

Peligro de daños y lesiones

Tenga en cuenta el peso del equipo para su transporte y almacenamiento.

1. Almacenar el equipo solamente en interiores.

### Cuidado y mantenimiento

#### Desmontar el filtro de cartucho

1. Retirar la tuerca.
2. Extraer el filtro de cartucho.
3. Sustituir el filtro de cartucho.
4. Apretar la tuerca con la mano.

### Nota

Asegúrese de que el filtro está correctamente colocado.

### Ayuda en caso de avería

#### △ PELIGRO

##### Riesgo de choques eléctricos

Heridas al tocar piezas que conducen corriente

Apagar el equipo antes de realizar cualquier trabajo en el mismo.

Desconecte el conector de red.

Todas las pruebas y trabajos en las piezas eléctricas deben ser realizadas por especialistas.

##### El motor (turbina de aspiración) no funciona.

No hay tensión eléctrica.

1. Comprobar el enchufe y el fusible de la alimentación de corriente.
2. Comprobar el cable de red y el conector de red del equipo.

El guardamotor se ha activado.

1. Dejar enfriar el motor.
2. Comprobar la presencia de obstrucciones en la manguera de aspira-

ción, el recipiente y la salida del aire de escape.

3. Conectar el equipo.
4. Si el guardamotor se activa de nuevo, ajustar el servicio e informar al servicio de postventa.

### La potencia de aspiración se reduce.

La boquilla, la manguera de aspiración y el tubo de aspiración están obstruidos.

1. Comprobar la boquilla, la manguera de aspiración y el tubo de aspiración y limpiar en caso necesario.

El filtro está sucio.

1. Limpiar el filtro.

## Datos técnicos

### Conexión eléctrica

Tensión de red	V	460
Fase	~	3
Frecuencia de red	Hz	60
Potencia nominal	W	630
Grado de protección		IP 55
Clase de protección		I
Fusible de red (lento)	A	16

### Datos de potencia del equipo

Contenido del recipiente	Carbón de zinc (l)	5,3 (20)
Volumen de aire	CFM (l/s)	103 (48,6)
Baja presión	kPa (mbar)	7 (70)
Conexión de la manguera de aspiración	en (mm)	2,1 (50)

### Peso y dimensiones

Peso de servicio típico	kg	25
Longitud x anchura x altura	mm	570 x 625 x 498

### Condiciones ambientales

Temperatura ambiente (máx.)	°C	+5 - +40
-----------------------------	----	----------

### Valores calculados conforme a EN 60335-2-69

Nivel de vibraciones mano-brazo	m/s <sup>2</sup>	< 2,5
Inseguridad K	m/s <sup>2</sup>	0,2
Nivel de presión acústica L <sub>pA</sub>	dB(A)	65
Inseguridad K <sub>pA</sub>	dB(A)	2

Reservado el derecho a realizar modificaciones.

## Contenu

CONSIGNES DE SÉCURITÉ IMPORTANTES . . . . .	16
Utilisation conforme . . . . .	18
Protection de l'environnement . . . . .	19
Accessoires et pièces de rechange . . . . .	19
Etendue de livraison . . . . .	19
Garantie . . . . .	19
Consignes de sécurité . . . . .	19
Dispositifs de sécurité . . . . .	20
Description de l'appareil . . . . .	20
Mise en service . . . . .	20
Utilisation . . . . .	20
Transport . . . . .	21
Stockage . . . . .	21
Entretien et maintenance . . . . .	21
Dépannage en cas de défaut . . . . .	21
Caractéristiques techniques . . . . .	21

## CONSIGNES DE SÉCURITÉ IMPORTANTES

### OBSERVEZ LES POINTS SUIVANTS AVANT LA MISE EN SERVICE DE L'APPAREIL

- En cas de dommages dus au transport, veuillez en informer immédiatement votre revendeur.
- Sortir tous les accessoires du carton.
- L'aspirateur ne convient pas pour aspirer des poussières nocives comme p. ex. l'amiante. Pour de telles applications, veuillez vous adresser à votre représentation Kärcher ou à votre revendeur Kärcher.
- Ne brancher l'aspirateur qu'à une prise de courant de sécurité conforme. Fusible nécessaire, voir les caractéristiques techniques.
- Brancher uniquement sur une prise correctement reliée à la terre. Voir les instructions de mise à terre.

Lorsque vous utilisez un appareil électrique, vous devez prendre certaines précautions de base, dont la suivante: Cet aspirateur est conçu pour l'usage professionnel.

- 1 DÉBRANCHER L'ASPIRATEUR avant d'enlever le couvercle, d'effectuer tout entretien et lorsqu'il n'est pas utilisé.
- 2 Ne laissez pas l'appareil sans surveillance tant qu'il est branché.
- 3 TOUJOURS VÉRIFIER QUE LE CORDON D'ALIMENTATION n'est ni vieilli, ni abîmé, avant chaque usage.
- 4 NE PAS TRANSPORTER L'ASPIRATEUR OU LE TIRER PAR LE CORDON. Ne pas fermer de portes sur le cordon ou faire passer celui-ci sur des bords tranchants.
- 5 NE PAS METTRE LE CORDON À LA CHALEUR OU DANS DE L'HUILE. Ne pas laisser le cordon traîner par terre après la fin du travail. Il pourrait provoquer une chute.
- 6 NE PAS PASSER L'ASPIRATEUR SUR LE CORDON.
- 7 METTRE L'INTERRUPTEUR SUR avant de débrancher l'appareil.
- 8 METTRE L'INTERRUPTEUR SUR avant de débrancher l'appareil.
- 9 NE PAS SAISIR LA PRISE AVEC DES MAINS MOUILLÉES.
- 10 SI LE CORDON OU LA PRISE EST ABÎMÉ, le faire remplacer par un agent d'un centre de service agréé uniquement. NE PAS ESSAYER DE RÉPARER SOI-MÊME.
- 11 POUR ÉVITER TOUT CHOC ÉLECTRIQUE, ne pas laisser l'appareil sous la pluie. Le stocker à l'intérieur.
- 12 N'UTILISER L'APPAREIL QUE COMME IL EST CONSEILLÉ DANS CE MODE D'EMPLOI. Utiliser exclusivement les accessoires recommandés.
- 13 ÉLOIGNER LES CHEVEUX, LES VÊTEMENTS, LES BIJOUX FLOTTANTS, LES DOIGTS et



- toutes les parties du corps des ouvertures et des pièces mobiles.
- 14NE PAS FERMER OU OBSTRUER LES OUVERTURES. Enlever les peluches, cheveux, poussières et tout ce qui pourrait gêner le passage de l'air.
- 15NE PAS AGRÉER D'OBJETS EN FEU, rougissants ou dégageant de la fumée tels que des allumettes, des cigarettes ou des cendres chaudes.
- 16NE PAS ASPIRER DE MATÉRIAUX COMBUSTIBLES EXPLOSIFS, tels que charbon, grains et autres matériaux combustibles finement divisés.
- 17NE PAS ASPIRER DE MATÉRIAUX COMBUSTIBLES, dangereux, toxiques ou cancérigènes comme l'essence, le gas-oil, l'acétone, les diluants à peinture, le fuel domestique, les acides et les solvants non dilués, les pesticides et l'amiante.
- 18UTILISER LES FILTRES RECOMMANDÉS pour aspirer les solides.
- 19NE PAS UTILISER L'APPAREIL SI LE FILTRE ou le sac à poussière n'est pas en place.
- 20NE BRANCHER L'ASPIRATEUR QUE SUR UNE PRISE PROPREMENT RELIÉE À LA TERRE. Voir les consignes de raccordement à la terre.
- 21INTERDIRE DE JOUER AVEC L'ASPIRATEUR. En tenir les enfants éloignés.
- 22NE PAS LAISSER L'ASPIRATEUR SANS SURVEILLANCE pendant le fonctionnement.
- 23NE PAS L'UTILISER SI LE CORDON, LA PRISE, LE FILTRE OU L'ASPIRATEUR EST EN MAUVAIS ÉTAT. Si l'aspirateur est tombé, a été abîmé, a été exposé, aux intem-

- péries ou est tombé dans de l'eau, le faire vérifier par un agent de service.
- 24TOUJOURS PORTER UNE PROTECTION OCULAIRE lors de l'utilisation de l'aspirateur.
- 25REDOUBLER DE PRUDENCE pour l'utilisation dans un escalier.
- 26RESTER VIGILANT! Ne pas utiliser l'aspirateur quand on est fatigué ou après avoir pris de la drogue, de l'alcool ou des médicaments.

### **CONSERVER CES CONSIGNES**

**Cet aspirateur est conçu pour l'usage professionnel.**

### **CONSIGNES DE SÉCURITÉ INSTRUCTIONS DE MISE À LA TERRE**

- Cet appareil doit être connecté à la terre. En cas de dysfonctionnement ou de panne, la mise à la terre fournit un chemin de moindre résistance pour le courant électrique pour réduire le risque de choc électrique.
- Cet appareil est équipé d'un câble doté d'un équipement conducteur de terre et d'une prise de terre.
- La fiche doit être branchée dans une prise électrique qui est correctement installée et raccordée à la terre en conformité avec les réglementations et directives locales.

### **AVERTISSEMENT:**

- Une connexion incorrecte du conducteur de terre de l'équipement peut avoir pour résultat un risque de choc électrique.
- Contrôler avec un électricien qualifié ou un technicien de service si vous avez des doutes relatifs à la mise à la terre correcte de la prise.
- Ne pas modifier la fiche fournie avec l'appareil.

- Si la fiche ne rentre pas dans la prise, faites installer une prise appropriée par un électricien qualifié.
- Cet appareil est destiné à une utilisation sur un circuit 120 V nominal, et est équipé d'une prise de terre qui ressemble à la prise illustrée dans la fig. A.
- Un adaptateur temporaire qui ressemble à l'adaptateur illustré dans la fig. B peut être utilisé pour connecter cette fiche au réceptacle deux pôles comme indiqué dans la fig. B si une prise correctement reliée à la terre n'est pas disponible.
- L'adaptateur temporaire doit être utilisé uniquement jusqu'à ce qu'une prise correctement reliée à la terre (fig. A) soit installée par un électricien qualifié.
- L'oreille rigide de couleur verte, la lame ou l'équivalent étendu depuis l'adaptateur doit être connecté à une terre permanente comme un couvercle de prise relié correctement à la terre.
- Quel que soit l'endroit où l'adaptateur est utilisé, il doit être maintenu en place par une vis métallique.

**DANS TOUS LES CAS, S'ASSURER QUE LE RECEPTACLE EN QUESTION EST CORRECTEMENT RELIE A LA TERRE.**

**NE JAMAIS RETIRER LA LANGUETTE DE CONTACT DE TERRE DE LA FICHE ELECTRIQUE.**

**RALLONGES**

Utiliser uniquement des câbles de rallonge à trois fils équipés de fiches à mise à la terre à trois languettes et des réceptacles à trois pôles qui acceptent la fiche de l'appareil. Remplacer le câble endommagé ou usé immédiatement.

## **NE PAS TENTER DE REPARER UN CABLE D'ALIMENTATION.**

Note : Au Canada, l'utilisation d'un adaptateur temporaire n'est pas autorisée par le Code Electrique Canadien.

## **Entretien des appareils à double isolation**

Dans un appareil à double isolation, deux isolations distinctes remplacent la mise à la terre. L'appareil à double isolation n'est pourvu d'aucun dispositif de mise à la terre et un tel dispositif ne doit pas être ajouté. L'entretien d'un appareil à double isolation demande beaucoup de soins ainsi qu'une bonne connaissance du système et net devrait être effectué que par un technicien d'entretien qualifié. Les pièces de rechange d'un appareil à double isolation doivent être identiques aux pièces originales.

## **Utilisation conforme**

### **△ AVERTISSEMENT**

#### **Risque pour la santé**

Inhalation de poussières nocives

Ne pas utiliser l'appareil pour l'aspiration de poussières nocives.

### **ATTENTION**

#### **Endommagement de l'appareil**

Court-circuit dû à une humidité de l'air élevée

Utiliser et stocker l'appareil uniquement en intérieur.

L'appareil est conçu :

- Pour l'aspiration de :
  - Substances non inflammables et sans risque d'explosion
  - Poussières
  - Salissures grossières
- Pour un usage industriel

L'appareil n'est pas adapté pour l'aspiration de liquides ni de substances huileuses.

Toute autre utilisation est considérée comme non conforme.

## Protection de l'environnement



Les matériaux d'emballage sont recyclables. Veuillez éliminer les emballages dans le respect de l'environnement.



Les appareils électriques et électroniques contiennent des matériaux précieux recyclables et souvent des composants tels que des piles, batteries ou de l'huile représentant un danger potentiel pour la santé humaine et l'environnement, s'ils ne sont pas manipulés ou éliminés correctement. Ces composants sont cependant nécessaires pour le fonctionnement correct de l'appareil. Les appareils marqués par ce symbole ne doivent pas être jetés dans les ordures ménagères.

### Remarques concernant les matières composantes (REACH)

Les informations actuelles concernant les matières composantes sont disponibles sous : [www.kaercher.com/REACH](http://www.kaercher.com/REACH)

## Accessoires et pièces de rechange

Utiliser exclusivement des accessoires et pièces de rechange originaux.

Ceux-ci garantissent le fonctionnement sûr et sans défaut de votre appareil.

Des informations sur les accessoires et pièces de rechange sont disponibles sur le site Internet [www.kaercher.com](http://www.kaercher.com).

## Etendue de livraison

L'étendue de livraison de l'appareil est illustrée sur l'emballage. Lors du déballage, vérifiez que le contenu de la livraison est complet. Si un accessoire manque ou en cas de dommage dû au

transport, veuillez informer votre distributeur.

## Garantie

Les conditions de garantie publiées par notre société commerciale compétente s'appliquent dans chaque pays. Nous remédions gratuitement aux défauts possibles sur votre appareil dans la durée de garantie dans la mesure où la cause du défaut est un vice de matériau ou de fabrication. En cas de garantie, veuillez vous adresser à votre distributeur ou au point de service après-vente autorisé le plus proche avec la facture d'achat.

(Voir l'adresse au dos)

## Consignes de sécurité

### ATTENTION

#### Risque d'explosion

Blessures dues à des pièces projetées  
Ne pas utiliser l'appareil dans des pièces à risque d'explosion.

#### △ PRÉCAUTION

#### Risque de blessures

Risque de coincement des mains lors du retrait et de la pose du couvercle du réservoir.

Portez des gants de protection adaptés.

#### △ PRÉCAUTION

#### Risque de blessures

Électrocution en cas de court-circuit  
Ne pas dépasser l'impédance secteur maximale admissible au point de raccordement électrique (voir les caractéristiques techniques).

En cas de doute sur l'impédance secteur présente sur votre point de raccordement, veuillez contacter votre fournisseur d'énergie.

# ATTENTION

## Endommagement de l'appareil

Ne pas utiliser l'appareil sans filtre ou avec un filtre endommagé.

- En cas d'urgence (p.ex. lors de l'aspiration de matériaux inflammables, en cas de court-circuit ou de tout autre défaut électrique), couper l'appareil et débrancher la fiche secteur.
- Couper l'appareil et débrancher la fiche secteur à la fin des travaux.

## Dispositifs de sécurité

### Protection thermique du moteur

Lorsque la puissance absorbée est trop élevée, la protection thermique du moteur coupe l'appareil.

## Description de l'appareil

Pour les figures, voir la page des graphiques

### Illustration A

- ① Raccord de tuyau d'aspiration
- ② Étrier de fermeture
- ③ Couvercle du réservoir
- ④ Poignée du couvercle du réservoir
- ⑤ Turbine d'aspiration
- ⑥ Interrupteur principal
- ⑦ Cordon d'alimentation
- ⑧ Réservoir

## Mise en service

Pour les figures, voir la page des graphiques

1. Mettre l'appareil en position de travail.
2. Vérifier la bonne fixation du couvercle du réservoir.
3. Verrouiller l'étrier de fermeture.
4. Insérer le tuyau d'aspiration dans le raccord de tuyau d'aspiration.

### Illustration B

## Utilisation

### Démarrer le fonctionnement

Pour les figures, voir la page des graphiques

1. Brancher la fiche secteur dans la prise du réseau.
2. Mettre l'interrupteur principal sur la position « ON ».

### Illustration C

L'appareil est sous tension.

3. Commencer l'aspiration.

### Vider le réservoir

Pour les figures, voir la page des graphiques

1. Mettre l'interrupteur principal sur la position « OFF ».  
L'appareil est hors tension.
2. Retirer la fiche secteur de la prise du réseau.
3. Déverrouiller l'étrier de fermeture.
4. Déposer le couvercle du réservoir et le mettre de côté.

### Illustration D

5. Retirer le tuyau d'aspiration du raccord de tuyau d'aspiration.
6. Retirer le réservoir de la plaque de base.
7. Vider le réservoir.
8. Éliminer ou recycler le contenu conformément aux directives légales.
9. Poser le réservoir sur la plaque de base.
10. Insérer le tuyau d'aspiration dans le raccord de tuyau d'aspiration.
11. Poser le couvercle du réservoir et vérifier la bonne fixation.
12. Verrouiller l'étrier de fermeture.

### Nettoyage du réservoir

1. Vider le réservoir (voir chapitre Vider le réservoir).
2. Retirer les dépôts du réservoir.
3. Éliminer les dépôts conformément aux directives légales.

## Remarque

Le réservoir peut être nettoyé à l'eau.  
Ne pas utiliser de nettoyeur haute

pression pour le nettoyage. Après le nettoyage, laisser sécher le réservoir.

### Terminer l'utilisation

1. Mettre l'interrupteur principal sur la position « OFF ».  
L'appareil est hors tension.
2. Retirer la fiche secteur de la prise du réseau.
3. Vider et nettoyer le réservoir (voir chapitre Nettoyage du réservoir).

### Transport

#### ⚠ PRÉCAUTION

##### Non-observation du poids

Risque de blessure et d'endommagement

Observez le poids de l'appareil pour le transport et le stockage.

1. En cas de transport de l'appareil dans des véhicules, le bloquer contre le glissement et le basculement suivant les normes en vigueur.

### Stockage

#### ⚠ PRÉCAUTION

##### Non-observation du poids

Risque de blessure et d'endommagement

Observez le poids de l'appareil pour le transport et le stockage.

1. Stockez l'appareil uniquement à l'intérieur.

### Entretien et maintenance

#### Démontage de la cartouche filtrante

1. Retirer l'écrou.
2. Retirer la cartouche filtrante.
3. Remplacer la cartouche filtrante.
4. Serrer l'écrou à la main.

### Remarque

Veillez à ce que le filtre soit bien inséré.

### Dépannage en cas de défaut

#### ⚠ DANGER

##### Risque d'électrocution

Blessures dues au contact avec des pièces sous tension

Coupez l'appareil avant tous les travaux sur l'appareil.

Débranchez la fiche secteur.

Chargez un spécialiste de tous les contrôles et travaux sur les pièces électriques.

##### Le moteur (turbine d'aspiration) ne démarre pas.

Aucune tension électrique.

1. Contrôler la prise de courant et le fusible de l'alimentation électrique.
2. Contrôler le câble réseau et la fiche secteur de l'appareil.

La protection thermique du moteur a déclenché.

1. Laisser refroidir le moteur.
2. Contrôler l'absence de colmatage sur le tuyau d'aspiration, le réservoir et la sortie d'échappement d'air.
3. Démarrer l'appareil.
4. Si la protection thermique du moteur déclenche de nouveau, arrêter le fonctionnement et contacter le service après-vente.

##### La puissance d'aspiration diminue.

La buse, le tuyau d'aspiration ou le tube d'aspiration sont colmatés.

1. Contrôler et nettoyer, si besoin, la buse, le tuyau d'aspiration et le tube d'aspiration.

Le filtre est encrassé.

1. Nettoyer le filtre.

### Caractéristiques techniques

#### Raccordement électrique

Tension du secteur	V	460
Phase	~	3
Fréquence du secteur	Hz	60
Puissance nominale	W	630

Type de protection		IP 55
Classe de protection		I
Fusible principal (lent)	A	16
<b>Caractéristiques de puissance de l'appareil</b>		
Contenu du réservoir	Galm (l)	5,3 (20)
Débit d'air	CFM (l/s)	103 (48,6)
Dépression	kPa (mbar)	7 (70)
Raccordement tuyau d'aspiration	in (mm)	2,1 (50)
<b>Dimensions et poids</b>		
Poids opérationnel typique	kg	25
Longueur x largeur x hauteur	mm	570 x 625 x 498
<b>Conditions ambiantes</b>		
Température ambiante (max.)	°C	+5 - +40
<b>Valeurs déterminées selon EN 60335-2-69</b>		
Valeur de vibrations main-bras	m/s <sup>2</sup>	< 2,5
Incertitude K	m/s <sup>2</sup>	0,2
Niveau de pression acoustique L <sub>pA</sub>	dB(A)	65
Incertitude K <sub>pA</sub>	dB(A)	2

Sous réserve de modifications techniques.





<http://www.kaercher.com/dealersearch>

