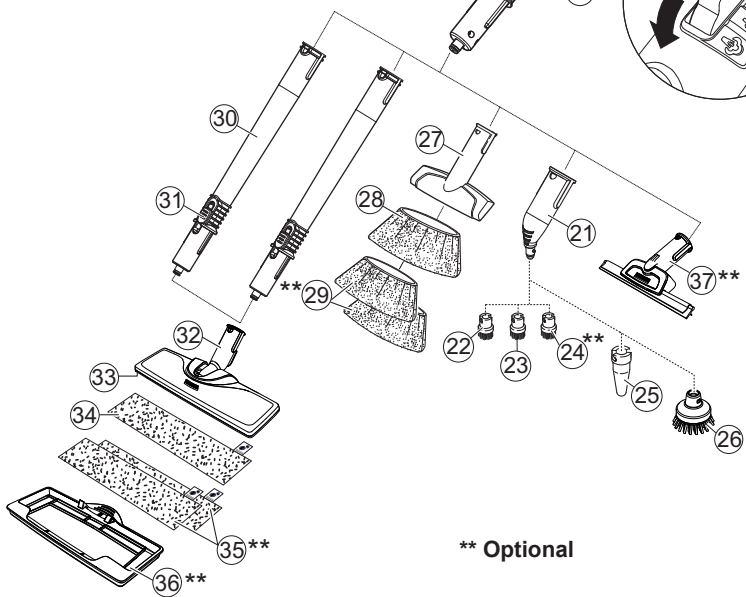
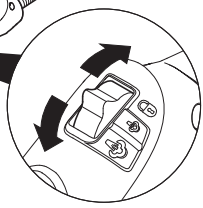
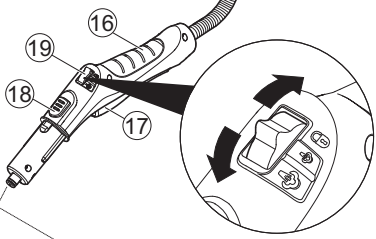
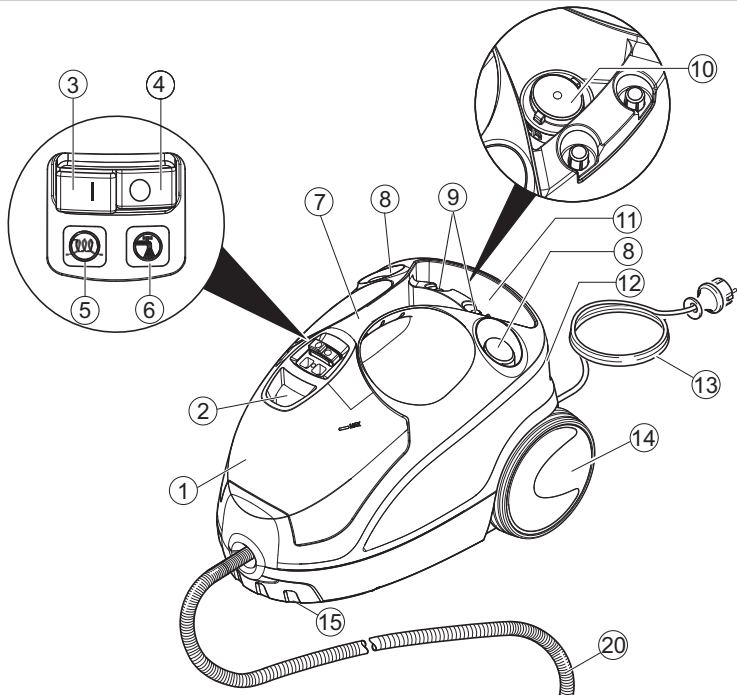


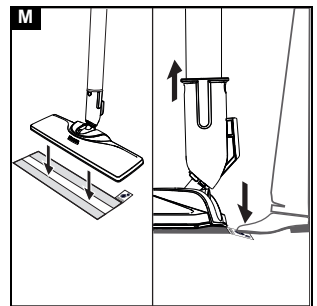
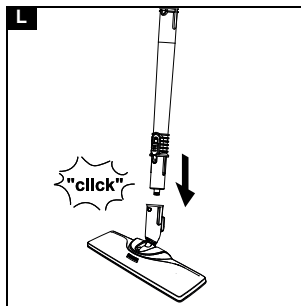
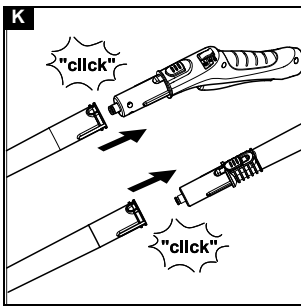
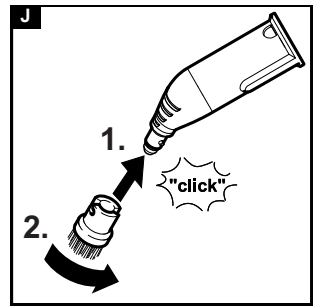
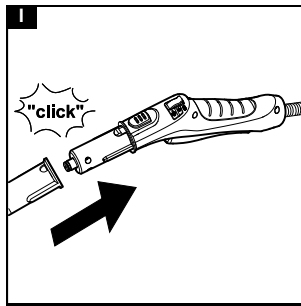
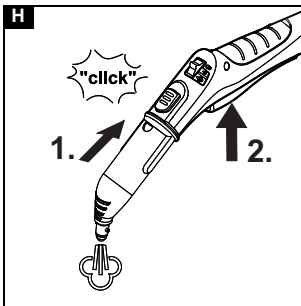
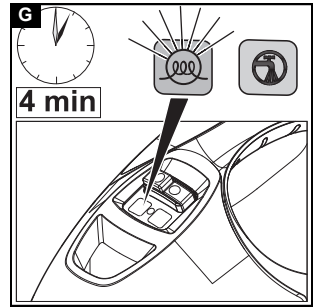
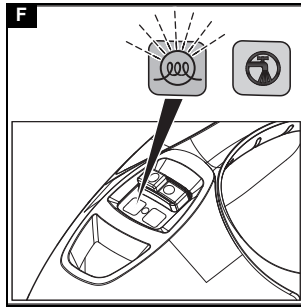
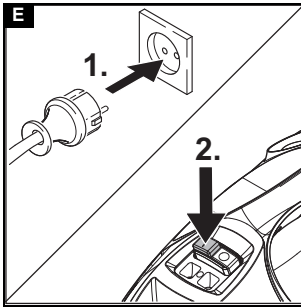
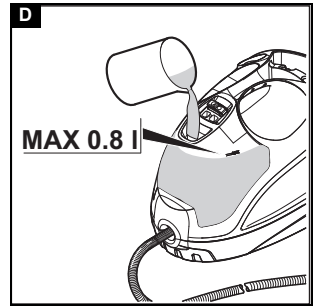
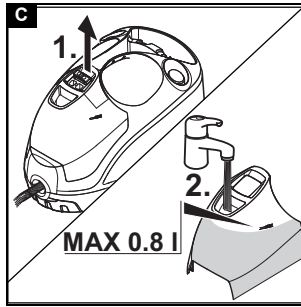
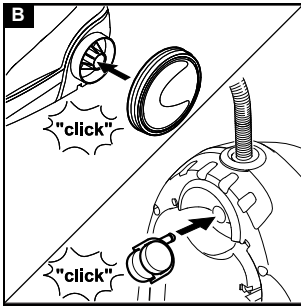
SC 4 EasyFix

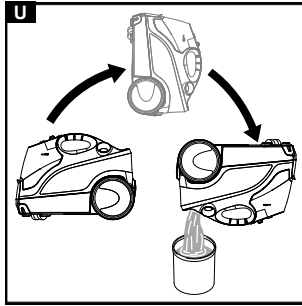
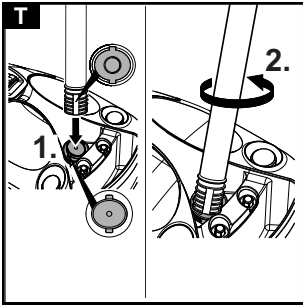
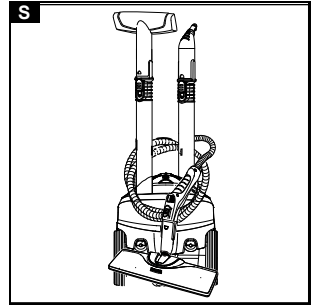
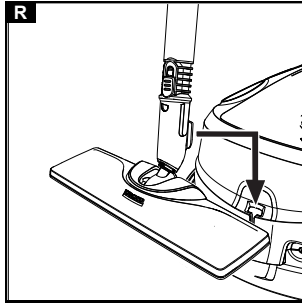
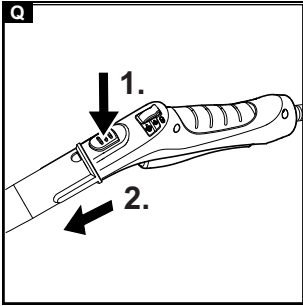
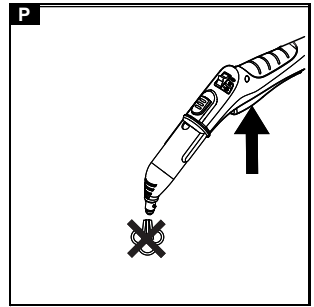
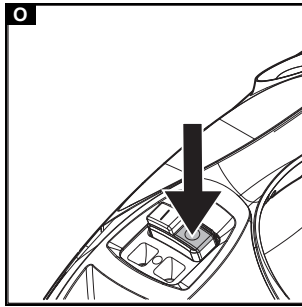
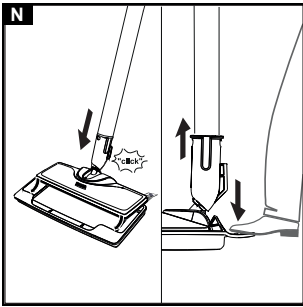
English 5
中文 15





** Optional





Safety instructions Steam cleaner

- You also need to take into consideration the general safety regulations and accident prevention guidelines of the legislator in addition to the notes in the operating instructions.
- Warnings and information notices attached to the device provide important information for hazard-free operation.

Hazard levels

△ DANGER

Indication of an imminent threat of danger that will lead to severe injuries or even death.

△ WARNING

Indication of a potentially dangerous situation that may lead to severe injuries or even death.

△ CAUTION

Indication of a potentially dangerous situation that may lead to minor injuries.

ATTENTION

Indication of a potentially dangerous situation that may lead to damage to property.

General safety notes

△ DANGER ● *Risk of asphyxiation. Keep packaging film out of the reach of children.*

△ WARNING ● *Only use the device for its proper use. Take into account the local conditions and beware of third parties, in*

particular children, when working with the device. ● Only people who have been instructed on how to use the device, or have proven their ability to operate it, and have been explicitly instructed to use it, must use the device. ● Persons with reduced physical, sensory or mental capabilities, or those with a lack of experience and knowledge, are only allowed to use the appliance if they are supervised or have been instructed with respect to using the appliance safely, and understand the resultant dangers involved. ● Children must not operate the device. ● Children must be supervised to prevent them from playing with the appliance.

● *Keep the device out of the reach of children while it is switched on and as long as it has not cooled down.*

△ CAUTION ● *Do not use the device if it has been dropped beforehand, is visibly damaged or if it is leaking. ● Safety devices are provided for your own protection. Never modify or bypass safety devices.*

Risk of electric shock

△ DANGER ● *Never touch the mains plug and socket with wet hands. ● Only connect the device to alternating current. The voltage indicated on the type*

plate must match the voltage of the power source. ●Do not direct the steam jet directly onto equipment containing electrical components, e.g. the interior space of ovens. ●Do not fill the devices with removable water reservoir directly via the water connection while they are connected to the mains power. Use a receptacle for filling. ●Do not use the d in swimming pools which contain water. ●The mains plug and extension cable connection must not be in water. **⚠ WARNING** ●Only connect the device to an electrical connection which has been set up by a qualified electrician as per IEC 60364-1. ●Only operate the device in wet rooms, e.g. bathroom, connected to sockets with upstream residual current device. ●Check the power supply cable with mains plug for damage before operation each time. Do not put the device into operation with a damaged power supply cable. Have a damaged power supply cable replaced immediately by the authorised customer service / qualified electrician. ●Do not damage the power supply and extension cable by running over it, crushing or yanking it or similar. Protect the power supply cable from heat, oil and sharp edges. ●Unsuitable electrical extension ca-

bles can be dangerous. Only use electrical extension cables with a splash guard and a diameter of at least 3x1 mm². ●Only replace couplings on the power supply or extension cable with those with the same splash guard and the same mechanical strength. ●Clean tiled walls with sockets carefully.

⚠ CAUTION ●In case of longer breaks in operation and after use, switch off the device at the main switch / device switch and pull the mains plug.

Operation

⚠ DANGER ●Operation in explosive atmospheres is prohibited. ●When using the device in hazard zones (e.g. service stations), adhere to the respective safety regulations.

⚠ WARNING ●Risk of scalding. Never touch the steam jet with your hand from a close distance, and do not direct it at people or animals. ●Risk of scalding from high water output if you tilt the due to more than 30° to the side when using it.

Applies to SC 1 devices only

● Risk of scalding on the hot steam boiler. Allow the steam boiler to cool down before filling it with water.

Does not apply to SC 3 devices

● *Never disconnect accessories from the device while steam is being expelled.* ● *Hot water may drip out when disconnecting accessory parts. Allow the device to cool down first.* ● *Never open the maintenance / safety lock during operation. Allow the device to cool down first.*

● *Do not clamp the steam lever / steam key during operation.*

● *Replace a damaged steam hose immediately with a steam hose as recommended by the manufacturer.* ● *Do not steam any objects which contain harmful substances (e.g. asbestos).*

△ **CAUTION** ● *Only operate or store the device in accordance with the description or figure.*

● *Check the device and the accessories, in particular the power supply cable, safety lock and steam hose, to make sure it is in proper safe and reliable condition before operation each time.*

Do not use the device if it is damaged. Replace damaged components immediately.

● *Only switch on the device when water is present in the steam boiler. The device may otherwise overheat, see chapter Troubleshooting.* ● *Accidents or damage due to the device falling over. Before all actions with or on the device, you must make sure that it is stable.*

ATTENTION ● *Do not fill with any cleaning agents or other supplements.* ● *Do not operate the device at temperatures below 0 °C.* ● *Never leave the device unsupervised while it is in operation.* ● *Protect the device from rain. Do not store the device outdoors.* ● *Device damage. Never pour solvents, liquids which contain solvents or diluted acids (e.g. cleaning agent, petrol, paint thinner and acetone) into the boiler / water reservoir.*

For upright machines

△ **CAUTION** ● *In order to guarantee stability, place the device on a firm, flat surface.* ● *Do not carry the device when performing cleaning work.*

Care and service

△ **WARNING** ● *Only carry out servicing work when the mains plug is pulled and the steam cleaner has cooled down.*

△ **CAUTION** ● *Have repair work carried out by the authorised customer service only.*

● *Do not use vinegar or similar agents.*

Contents

General notes	8
Intended use	8
Environmental protection	8
Accessories and spare parts	8
Scope of delivery	8
Warranty	8
Safety devices	8
Description of the unit	9
Installation	9
Operation	9
Important application instructions	10
How to use the Accessories	11
Care and service	12
Troubleshooting guide	13
Technical data	13

General notes



Please read and comply with these original instructions prior to the initial operation of your appliance and store them for later use or subsequent owners.

Intended use

Only use the appliance in private households. The appliance is intended for cleaning with steam and can be used with appropriate accessories as described in these operating instructions. Detergents are not required. Observe the safety instructions.

Environmental protection



The packing materials can be recycled. Please dispose of packaging in accordance with the environmental regulations.



Electrical and electronic appliances contain valuable, recyclable materials and often components such as batteries, rechargeable batteries or oil, which - if handled or disposed of incorrectly - can pose a potential threat to human health and the environment. However, these components are required for the correct operation of the appliance. Appliances marked by this symbol are not allowed to be disposed of together with the household rubbish.

Notes on the content materials (REACH)

Current information on content materials can be found at: www.kaercher.com/REACH

Accessories and spare parts

Only use original accessories and original spare parts. They ensure that the appliance will run fault-free and safely.

Information on accessories and spare parts can be found at www.kaercher.com.

Scope of delivery

The scope of delivery for the appliance is shown on the packaging. Check the contents for completeness when unpacking. If any accessories are missing or in the event of any shipping damage, please notify your dealer.

Warranty

The warranty conditions issued by our relevant sales company apply in all countries. We shall remedy possible malfunctions on your appliance within the warranty period free of cost, provided that a material or manufacturing defect is the cause. In a warranty case, please contact your dealer (with the purchase receipt) or the next authorised customer service site. (See overleaf for the address)

Safety devices

⚠ CAUTION

Missing or modified safety devices

Safety devices are provided for your own protection.

Never modify or bypass safety devices.

Symbols on the appliance

(according to type of appliance)

	Risk of burns, surface of appliance becomes hot during operation
	Risk of scalding from steam
	Read operating instructions

Pressure controller

The pressure controller keeps the pressure in the steam boiler as constant as possible during operation. The heating is switched off when the maximum operating pressure is reached in the steam boiler and is activated if there is a pressure drop in the steam boiler as a result of a steam removal.

Safety thermostat

The safety thermostat prevents the device from overheating. If the pressure regulator and the boiler thermostat fail and the unit overheats, the safety thermostat switches the unit off. Before resetting of the safety thermostat, contact the responsible KÄRCHER Customer Service.

Boiler thermostat

The boiler thermostat switches off the heating in the event of a fault; for example, if there is no water in the steam boiler and the temperature in the steam boiler rises.

As soon as you refill the water, the device is ready for use again.

Maintenance lock

The maintenance lock seals the steam boiler from the steam pressure present. The maintenance cap is also a pressure relief valve. If the pressure regulator is defective and the steam pressure in the steam boiler rises, the pressure relief valve opens and steam is escapes through the lock.

Prior to restarting the device, contact the responsible KÄRCHER Customer Service.

Description of the unit

The maximum amount of equipment is described in these operating instructions. Depending on the model used, there are differences in the scope of delivery (see packaging).

For the illustrations, refer to the graphics page

Illustration A

- ① Water reservoir
- ② Filling hole, water reservoir
- ③ Switch - On
- ④ Switch - Off
- ⑤ Indicator light (green) - heating
- ⑥ Indicator light (red) - water shortage
- ⑦ Carrying handle
- ⑧ Holder for accessories
- ⑨ Holder for accessories
- ⑩ Maintenance lock
- ⑪ Mains connection cable storage compartment
- ⑫ Park bracket for floor nozzle
- ⑬ Mains connection cable with mains plug
- ⑭ Non-driven wheels (2 x)
- ⑮ Steering roller
- ⑯ Steam gun
- ⑰ Steam lever
- ⑱ Unlocking button
- ⑲ Selector switch for steam volume (with child lock)
- ⑳ Steam hose
- ㉑ Spotlight nozzle
- ㉒ Round brush (small, black)
- ㉓ Round brush (small, yellow)
- ㉔ ** Round brush (small, brass)
- ㉕ Power nozzle
- ㉖ Round brush (large)
- ㉗ Manual nozzle
- ㉘ Microfibre cover for manual nozzle (1x)
- ㉙ ** Microfibre cover for manual nozzle (2x)
- ㉚ Extension tubes (2 x)
- ㉛ Unlocking button
- ㉜ Floor nozzle
- ㉝ Hook and loop fastener
- ㉞ Microfibre floor cloth (1 x)
- ㉟ ** Microfibre floor cloth (2 x)
- ㊱ ** Carpet glider
- ㊲ ** Window nozzle

** optional

Installation

Installing accessories

1. Insert and engage the steering roller and non-driven wheels.
Illustration B
2. Push the open end of the accessory onto the steam gun so that the unlocking button on the steam gun engages.
Illustration I
3. Push the open end of the accessory onto the spotlight nozzle.
Illustration J
4. Connect the extension tubes with the steam gun.
 - a Push the first extension tube onto the steam gun so that the unlocking button on the steam gun engages.
The connection pipe is connected.
 - b Push the second extension tube onto the first extension tube.
The connection pipes are connected.**Illustration K**
5. Push the accessory and / or the floor nozzle onto the free end of the extension tube.
The accessory is connected.

Disconnecting accessories

1. Set the selector switch for the steam volume to the rear.
The steam lever is locked.
2. Push the unlocking button and pull the parts apart.
Illustration Q

Operation

Filling water

The water reservoir can be removed at any time for filling or be filled directly at the device.

ATTENTION

Damage to the device

Unsuitable water can block the nozzles or damage the water level indicator.

Do not fill in pure distilled water. Use a maximum of 50% distilled water mixed with tap water.

Do not use condensation from the clothes dryer for filling.

Do not use collected rain water for filling.

Do not use cleaning agents or other additives (e.g. scents) for filling.

Remove the water reservoir for filling

1. Pull the water reservoir vertically upwards.
Illustration C
2. Fill the water tank vertically with tap water or a mixture of tap water and no more than 50% distilled water up to the "MAX" mark.
3. Insert the water reservoir and press downwards until it locks into place.

Filling the water reservoir directly on the device

1. Fill tap water or a mixture of tap water and no more than 50% distilled water from a vessel into the filling hole of the water reservoir up to the "MAX" mark.

Illustration D

Switch on the device

Note

If there is no or too little water in the steam boiler, the water pump starts to run and pumps water from the water reservoir into the steam boiler. The filling process can take several minutes.

Note

The device briefly closes the valve every 60 seconds causing an audible soft click. Closing prevents the valve from clogging. This does not affect the steam output.

1. Place the device on a firm surface.
2. Insert the mains plug into a socket.

Illustration E

3. Press the ON switch.
The green heating indicator light flashes.

Illustration F

4. Wait until the green heating indicator stays on.

Illustration G




5. Press the steam lever.

Illustration H

Steam leaks out.

Regulating the steam volume

The expelled steam volume is regulated using the selector switch for steam volume. The selector switch has 3 positions:

	Maximum steam volume
	Reduced steam volume
	No steam - child lock Note In this position, the steam lever cannot be operated.

1. Set the selector switch for the steam volume to required steam volume.
2. Press the steam lever.
3. Before starting cleaning, point the steam gun at a cloth until steam is expelled evenly.

Refilling water

If there is not enough water, the water shortage indicator lamp flashes red and a signal tone sounds.

Note

The water pump fills the steam boiler at intervals. If the filling is successful, the red water shortage indicator lamp goes out.

Note

If there is no or too little water in the steam boiler, the water pump starts to run and pumps water from the water reservoir into the steam boiler. The filling process can take several minutes.

ATTENTION

Damage to the device

Unsuitable water can block the nozzles or damage the water level indicator.

Do not fill in pure distilled water. Use a maximum of 50% distilled water mixed with tap water.

Do not use condensation from the clothes dryer for filling.

Do not use collected rain water for filling.

Do not use cleaning agents or other additives (e.g. scents) for filling.

1. Fill the water tank with tap water or a mixture of tap water and no more than 50% distilled water up to the "MAX" mark.
The device is ready for use.

Switching off the device

1. Press the OFF switch.

Illustration O

The device has been switched off.

2. Press the steam lever until no more steam flows out.

Illustration P

The steam boiler is depressurised.

3. Set the child lock (selector switch for steam volume) to the rear.

The steam lever is locked.

4. Pull the mains plug out of the socket.
5. Drain the water reservoir.

Rinsing out the steam boiler

Rinse the device's steam boiler out after every tenth filling of the tank.

1. Switch the device off; see Chapter Switching off the device.
2. Allow the device to cool down.
3. Drain the water reservoir.
4. Remove the accessory/accessories from the accessory holders.
5. Open the maintenance lock. To do this place the open end of an extension tube on the maintenance lock, insert this into the guide so it engages and open it.

Illustration T

6. Fill the steam boiler with water and swing it around vigorously. Lime residue which has been deposited on the bottom of the steam boiler will be released as a result.

7. Drain the water completely out of the steam boiler.

Illustration U

Storing the device

1. Connect the extension tubes to the large mounts for accessories.
2. Connect a manual nozzle and spotlight nozzle to each extension tube.
3. Fasten the large round brush to the spotlight nozzle.
4. Connect the small round brush and nozzles to the medium-sized mount for accessories.
5. Hang the floor nozzle in the park bracket.

Illustration R

6. Wind the steam hose around the extension tube and connect the steam gun to the floor nozzle.

Illustration S

7. Wind the mains cable around the extension tube.
8. Stow the mains cable in the accessory compartment.
9. Store the device in a dry location that is protected from frost.

Important application instructions

Cleaning the floor areas

We recommend sweeping the floor or vacuum cleaning it before using the appliance. In this way the floor will be cleared of dirt and loose particles before the wet cleaning.

Freshening up textiles

Prior to using the appliance, always check the compatibility of the textiles at a concealed point: Steam down the textile, allow it to dry and then check it for any change in colour or shape.

Cleaning coated or painted surfaces

ATTENTION

Damaged surfaces

Steam can loosen wax, furniture polish, plastic coatings or paint and edge band from edges.

Do not direct the steam at glued laminated edges as the edge band may loosen.

Do not use the appliance for cleaning unsealed wood or parquet floors.

Do not use the appliance for cleaning painted or plastic coated surfaces such as kitchen or living room furniture, doors or parquet.

1. To clean these surfaces, steam a cloth briefly and use it to wipe over the surfaces.

Glass cleaner

ATTENTION

Glass breakages and damaged surfaces

Steam can damage sealed points of the window frame and, at low outside temperatures, lead to tension on the surface of window panes and hence to glass breakages. Do not direct the steam at sealed points on the window frame.

At low outside temperatures, heat up the window panes by gently steaming the full surface of the glass.

- Clean the window area with a manual nozzle and cover. To remove the water, use a squeegee or wipe the surfaces dry.

How to use the Accessories

Steam gun

The steam gun can be used for the following applications without accessories:

- For removing slight creases from the hanging clothing items: Steam the clothing item from a distance of 10-20 cm.
- For wiping damp dust: Steam a cloth briefly and use it to wipe over the furniture.

Spotlight nozzle

The spotlight nozzle is suitable for cleaning areas, joins, fittings, drains, sinks, WCs, blinds or radiators that are difficult to access. The closer the spotlight nozzle is to the soiled area, the greater the cleaning efficiency will be as the temperature and steam volume are at their highest at the nozzle opening. Larger lime deposits can be treated before steam cleaning with a suitable detergent. Allow the detergent to soak in for approx. 5 minutes and then steam it off.

1. Slide the spotlight nozzle onto the steam gun.

Illustration I

Round brush (small)

The small round brush is used for cleaning stubborn dirt. Stubborn dirt can be removed more easily by brushing.

ATTENTION

Damaged surfaces

The brush may scratch sensitive surfaces.

It is not suitable for cleaning sensitive surfaces.

1. Fit the round brush to the spotlight nozzle.

Illustration J

Round brush (large)

The large round brush is suitable for cleaning large rounded surfaces, e.g. wash basin, shower tray, bath tub, kitchen sink.

ATTENTION

Damaged surfaces

The brush may scratch sensitive surfaces.

It is not suitable for cleaning sensitive surfaces.

1. Fit the large round brush to the spotlight nozzle.

Illustration J

Power nozzle

The power nozzle is used for cleaning stubborn dirt, blowing down corners, joins etc.

1. Install the power nozzle onto the spotlight nozzle according to the round brush.

Illustration J

Manual nozzle

The manual nozzle is used for cleaning small areas that can be washed down, shower cubicles and mirrors.

1. Push the manual nozzle onto the steam gun according to the spotlight nozzle.

Illustration I

2. Pull the cover over the manual nozzle.

Window nozzle

For easy and thorough cleaning of glass, windows or mirrors.

By the steam outlet opening takes place uniform steaming of glass panes.

1. Push the window nozzle onto the steam gun according to the spotlight nozzle.

Illustration H

2. Use the rubber lip of the nozzle to pull the glass surfaces from the top to the button.

3. Wipe the rubber lip the bottom edge of the window with a dry cloth after each strip.

Floor nozzle

The floor nozzle is used for cleaning washable wall and floor coverings e.g. stone floors, tiles and PVC floors.

ATTENTION

Damage due to build-up of steam

Heat and moisture can lead to damage.

Check the heat resistance and steam effect on an inconspicuous area using a minimal volume of steam prior to use.

Note

Detergent residue or care emulsions on the surface to be cleaned can lead to streaks during steam cleaning, which will disappear however once these have been used several times.

We recommend sweeping the floor or vacuum cleaning it before using the device. In this way the floor will be cleared of dirt and loose particles before the wet cleaning commences. Work slowly on surfaces that are heavily soiled so that the steam has longer to take effect.

1. Connect the extension tubes with the steam gun.

Illustration K

2. Push the floor nozzle onto the extension tube.
3. Fasten the floor cleaning cloth to the floor nozzle.
 - a Place the floor cleaning cloth with the hook and loop fastener strips pointing upwards on the floor.
 - b Place the floor nozzle onto the floor cleaning cloth, applying slight pressure.

Illustration M

The floor cleaning cloth will stick to the floor nozzle of its own accord due to the hook and loop fastener.

Removing the floor cleaning cloth

1. Place one foot on the bottom corner of the floor cleaning cloth and lift the floor nozzle up.

Illustration M

Note

Initially, the floor cleaning cloth's hook and loop fastener strip is very strong and cannot be removed from the floor nozzle easily. After the floor cleaning cloth has been used several times and washed, it is easier to remove from the floor nozzle and it has reached the optimum adhesion.

Parking the floor nozzle

1. Hang the floor nozzle in the park bracket during breaks in work.

Illustration R

Carpet glider

The carpet glider is used for freshening up carpets.

ATTENTION

Beware of damaging the carpet glider and carpet
Contamination on the carpet glider, as well as heat and moisture penetration, can result in the carpet being damaged.

Prior to the application, also check the heat resistance and impact of steam on the carpet at an insignificant spot using as small an amount of steam as possible. Observe the cleaning instructions from the carpet manufacturer.

Prior to using the carpet glider, make sure that the carpet has been vacuumed and that stains have been removed.

Prior to application and following operating pauses, remove any possible water accumulation (condensate) in the appliance by means of evaporating the condensate into a drain (without floor cleaning cloth / with accessories).

Only use the carpet glider with a floor cleaning cloth on the floor nozzle.

Steam clean with a weak steam stage when using the carpet glider.

In order to prevent too much moistening and to avoid the risk of damage due to temperature effects, do not direct the steam continuously onto one spot (maximum 5 seconds).

Do not use the carpet glider on deep-pile carpets.

Fastening the carpet glider to the floor nozzle

1. For fastening the floor cleaning cloth to the floor nozzle, please refer to chapter Floor nozzle.

Illustration M

2. Using a little force, allow the floor nozzle to slide into the carpet glider and engage there.

Illustration N

3. Start cleaning the carpet.

Removing the carpet glider from the floor nozzle

⚠ CAUTION

Beware of burns to your feet

The carpet glider can heat up during the steaming process.

Do not operate or remove the carpet glider bare-footed or using open sandals.

Only operate or remove the carpet glider using suitable footwear.

1. Press the strap on the carpet glider downwards using your toecap.
2. Lift the floor nozzle upwards.

Illustration N

Care and service

Descaling the steam boiler

Note

Since the lime clogs the appliance, we recommend descaling the appliance based on the number of times the water reservoir is filled as specified in the table (TF=tank fillings).

Hardness range	°dH	mmol/l	TF
I soft	0-7	0-1.3	100
II Medium	7-14	1.3-2.5	90
III Hard	14-21	2.5-3.8	75
IV Very hard	>21	>3.8	50

Note

Your water board or municipal utilities authority can provide information on hardness of tap water.

ATTENTION

Damaged surfaces

The descaler may corrode sensitive surfaces.

Fill and empty the appliance carefully.

1. Switch off the appliance, see Chapter Switching off the device.
2. Allow the appliance to cool down.
3. Drain the water reservoir.
4. Remove the accessory/accessories from the accessory holders.
5. Open the maintenance lock. To do this place the open end of an extension tube on the maintenance lock, insert this into the guide so it engages and open it.

Illustration T

6. Drain the water completely out of the steam boiler.

Illustration U

ATTENTION

Appliance damage due to descaler

An unsuitable descaler or incorrect dosing of the descaler may damage the appliance.

Only use KÄRCHER descaler.

Use 1 dosing unit of the descaler for 0.5 l water.

7. Apply descaler solution to the descaler according to the details.
8. Fill the descaler solution into the steam boiler. Do not seal the steam boiler.
9. Allow the descaler solution to take effect for approx. 8 hours.
10. Drain descaler solution completely out of the steam boiler.
11. Repeat the descaling process if necessary.
12. Rinse the steam boiler 2-3 times with cold water in order to drain all the descaler solution residue.
13. Drain the water completely out of the steam boiler.
14. Dry the mounting for the grid connection cable.
15. Close the maintenance lock with an extension tube.

Care of accessories

(Accessories - depending on scope of delivery)

Note

The floor cleaning cloth and the cover for the manual nozzle have been washed beforehand and can be used immediately for working with the appliance. The micro fibre cloths are not suitable for dryer.

Note

When washing the cloths, observe the instructions on the washing tag. Do not use any liquid softeners as this will affect the ability of the cloths to pick up dirt.

1. Wash the floor cleaning cloths and covers at a max. temperature of 60 °C in the washing machine.

Troubleshooting guide

Malfunctions often have simple causes that you can remedy yourself using the following overview. When in doubt, or in the case of malfunctions not mentioned here, please contact your authorised Customer Service.

⚠ WARNING

Risk of electric shock and burns

Trying to eliminate faults while the appliance is connected to the mains or has not yet cooled down is always dangerous.

Remove the mains plug.

Allow the appliance to cool down.

The steam boiler is scaled.

- Descale the steam boiler

The water shortage indicator light flashes red and a signal tone sounds

No water in the tank.

- Fill the water reservoir up to the "MAX" marking.

The water shortage indicator light is lit in red

No water in the steam boiler. The pump's overheat protection has triggered.

1. Switch the device off; see Chapter Switch off the device.
2. Fill the water reservoir.
3. Switch on the device; see Chapter Switching on the device.

The water tank is not inserted correctly or is calcified.

1. Remove the water reservoir.
2. Rinse the water reservoir.
3. Insert the water reservoir and press downwards until it locks into place.

The steam lever cannot be pressed

The steam lever is locked with the child lock.

- Set the child lock (selector switch for steam volume) to the front.

The steam lever is released.

Long heating-up time

The steam boiler is scaled.

- Descale the steam boiler.

High water output

The steam boiler is scaled.

- Descale the steam boiler.

Technical data

Electrical connection

Voltage	V	110
Phase	~	1
Frequency	Hz	60
Protection class		IPX4
Protection category		I

Performance data

Heating capacity	W	1600
Maximum operating pressure	MPa	0.35
Heating-up time	Minutes	4
Continuous steaming	g/min	50
Maximum steam blast	g/min	110

Filling quantity

Water reservoir	l	0.8
Steam boiler	l	0.5

Dimensions and weights

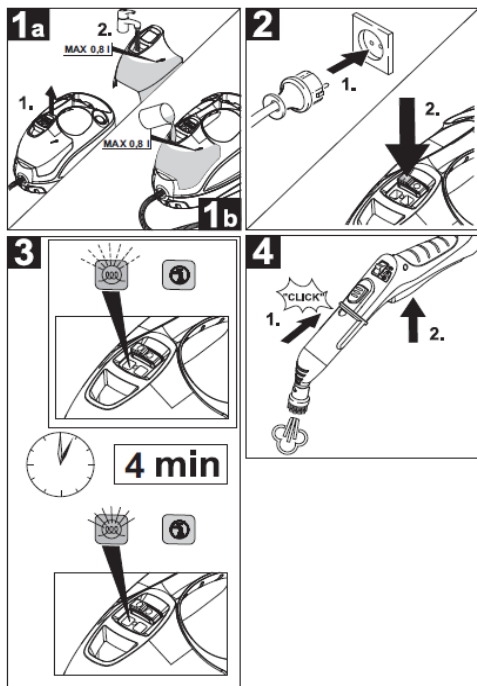
Weight (without accessories)	kg	4.1
Length	mm	350
Width	mm	280
Height	mm	270

Subject to technical modifications.

家用多功能快拆式 EasyFix

高壓高溫蒸氣清洗機

(一) 主機準備



圖示 1a/1b、將副水箱拿起並加自來水至最高水位(MAX)。

圖示 2、將電源插頭插入 110V 電源插座，按下電源開關-開。

圖示 3、蒸氣鍋爐加熱指示燈閃爍綠燈開始加熱直到綠燈為恆亮狀態，加熱到可以使用大約需要約 4 分鐘。

圖示 4、將清潔適用的配件組裝於蒸氣噴槍上後即可開始進行各類清潔工作。

注意

主機發出噪音聲為馬達正在補水至高壓蒸氣鍋爐此為正常狀態。

(二) 安全提示

▲危險

1. 嚴禁在具有可能會引爆物品區域使用。
2. 如要在具有化學混合物區域使用請注意使用安全。
3. 嚴禁使用任何清潔劑、化學藥劑與香精油添加入主機鍋爐內。
4. 本主機不能使用在任何電器清潔，例如電視、燈具、吹風機或電熱器等可能會讓蒸氣影響電器內電路板設備損壞。
5. 請確實依照說明提示操作主機，在之前請勿任意操作使用。另外請確實確認電源線是否有鬆脫，及安全開關和電源線是否有鬆脫破損。
6. 如果電源線有出現異常軟化或鬆脫時，請立刻停止使用並連絡德國凱馳授權經銷商或技術服務維修中心更換或維修。
7. 如果蒸氣管有破裂或損壞，請立刻停止使用並連絡德國凱馳授權經銷商或技術服務維修中心更換或維修。
8. 請勿濕手碰觸電源插頭。
9. 請勿使用主機清潔一些具有化學成份的物體。
10. 蒸氣噴口具備高達 95 度以上的溫度，請勿在操作時近距離接觸蒸氣噴口，以免燙傷。
11. 請確認使用適當的電壓且無超過負載
12. 在潮濕的區域如廁所使用時，請注意電源裝置是否有機會接觸到潮濕水源，以免觸電。
13. 請勿將電源線放在水裡。
14. 請確認電源線及電源接口是否有任何異常，請立刻停止使用並連絡德國凱馳授權經銷商或技術服務維修中心更換。
15. 請確實按照說明書內步驟安全使用主機，如有孩童或使用者需協助時，請安排他人協助指導操作，並在正確的操作

方式進行清潔。

16. 電源線請勿任意擺放存放，請確實收納。
17. 請勿使用任何清潔劑或具備酸性物質的清潔劑清潔主機以免損害主機使用。
18. 請勿將主機放置於室外。
19. 使用主機時，請注意附近是否有孩童或任何可能會造成傷害的物體。
20. 更換各類噴頭前，請確實將安全保護開關鎖上，以免被高壓蒸氣燙傷。
21. 請勿將噴頭朝向自己或別人。
22. 請勿任意拆解主機，非授權或使用非原廠配件會造成主機鍋爐保固喪失。
23. 使用延長線，請注意延長線最高負載功率是否可以負荷本主機使用中功率，或選購兩平方米延長線。

安裝配件圖示 A~K

- A、將主機側輪安裝於主機側邊並聽到「喀」表示固定完成。
- B/C、將需要搭配的配件組裝於槍把上，安裝連結後聽到「喀」表示已經完全連接固定。
- D、安裝延長管時，請依照圖示箭頭方向連結並聽到「喀」聲固定。
- E、將蒸氣槍把上的配件移除，請按下配件上的連接扣鎖，依照圖示箭頭拆解。
- F、清潔前請先將附贈的快拆式超細纖維地板布巾或手持刷布套沾濕後套至或黏貼於刷頭上。
- G/H、關閉主機，請依照圖示先將電源開關關閉後，鎖上安全保護開關。
- I/J、將地板刷頭掛於主機後掛架。
- K、進行鍋爐除鈣時，請使用延長桿將主機上方蒸氣鍋爐維護鎖鬆開。

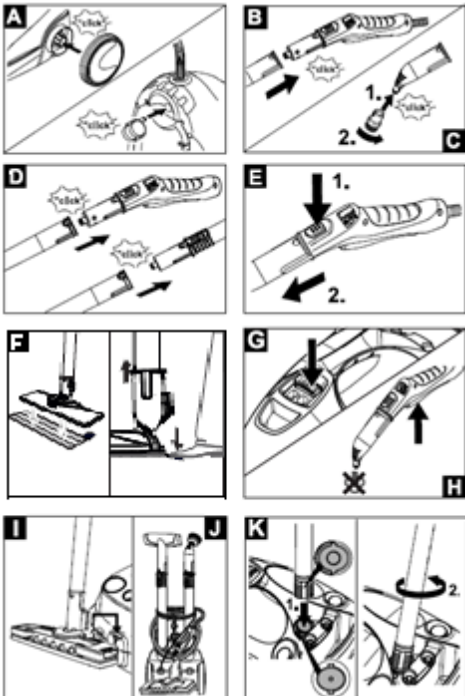
危險注意：

鍋爐清洗前與期間，請勿插電加熱鍋爐或鍋爐仍在高溫狀態下進行。請勿任意鬆開蒸氣鍋爐維護鎖。

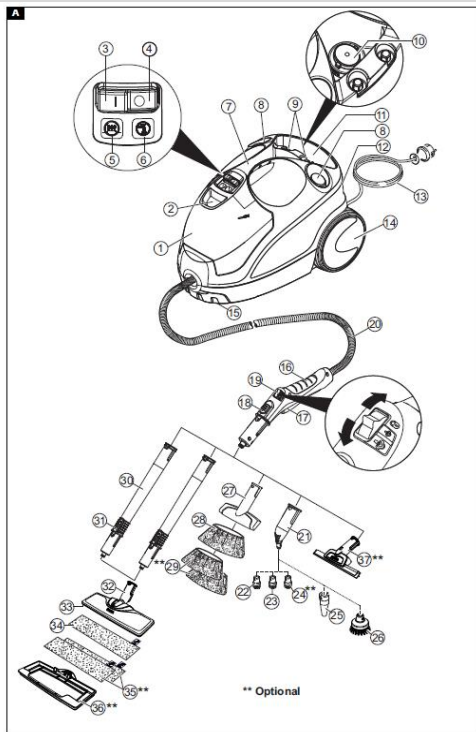
(四) 相關配件

全系列德國凱馳產品皆有專用相關的配件進行更換或維修，請勿任意拆解，此動作很有可能讓主機損壞且無法修復。相關配件購買，請洽德國凱馳原廠展售中心或授權經銷商。

(三) 主機配件安裝及操作



(五) 主機配件與外觀介紹



- 1 副水箱
 - 2 自來水加水口
 - 3 電源開關-ON
 - 4 電源開關-OFF
 - 5 狀態燈-(綠)-加熱
 - 6 狀態燈-(紅)-水量不足
 - 7 主機把手
 - 8 延長管收納座
 - 9 配件收納座
 - 10 蒸氣鍋爐維護鎖
- (使用電源開啟、蒸氣清潔時，請勿開啟)
- 11 電源線收納盒
 - 12 地板刷掛勾座
 - 13 電源線含插頭
 - 14 滾輪 x 2
 - 15 前多向滾輪
 - 16 蒸氣噴槍

- 17 高壓蒸氣開關
- 18 噴槍配件連結扣鎖
- 19 設定蒸氣量含兒童安全鎖
- 20 高壓蒸氣軟管
- 21 細微噴頭
- 22 小圓刷(黑)(適用於刷洗表面污垢)
- 23 小圓刷(黃)(適用於刷洗表面污垢)
- 24 銅圓刷(適用於刷洗難除污垢)**
- 25 強力噴頭(適用細縫邊角污垢)
- 26 大圓刷(適用大面積表面刷洗)
- 27 手持刷(適用於家具飾品)
- 28 超細纖維手持刷布套
- 29 超細纖維手持刷布套組**
- 30 延長管 x 2
- 31 連接扣鎖
- 32 快拆式地板刷(適用於地板清潔)
- 33 塑膠魔鬼粘鉤
- 34 快拆式超細纖維地板刷布巾
- 35 快拆式超細纖維地板刷布巾組**
- 36 地毯專用地板刷蓋**
- 37 玻璃刮刀刷**

【**】標示為選購配件

配件	料號
圓刷組 (黑 x2 / 黃 x2)	2.863-264.0
玻璃刮刀刷	2.863-025.0
超細纖維大圓刷布套	2.863-243.0
大圓刷	2.863-022.0
蒸氣振動角度噴頭	2.863-159.0
蒸氣掛燙刷	2.863-233.0
快拆式超細纖維地板刷 布巾組	2.863-259.0

(六) 安全裝置說明

1. 壓力控制裝置

使用期間或使用後控制裝置將會確認鍋爐溫度及壓力已經適合開啟後將會自動解除鎖定。

2. 安全溫度控制裝置

- 如果主機鍋爐無法正常使用或主機溫度過高時，安全控制裝置將會自動關閉主機。
- 當發生上述問題時，請勿繼續操作並請立刻停止使用並連絡德國凱馳授權經銷商或技術服務維修中心更換維修。

(七) 加入自來水

自來水可在主機使用中任何時間加入副水箱。嚴禁使用凝結水或添加任何化學成分的清潔劑或芳香劑。

(八) 開啟主機使用

注意

主機發出短暫的抽水馬達的聲音屬正常，表示抽水馬達正在從副水箱抽水至加熱鍋爐中。

- 將主機平放於平坦的地面。
- 將電源電插頭組插於插座。
- 按下 ON 電源開關
- 直到綠燈顯示恆亮後再使用。

(九) 調整高壓蒸氣量

可以利用蒸氣手把上的三段控制開關調整蒸氣釋放量。



最大蒸氣量



最小蒸氣量



安全開關(注意調整至此時，蒸氣手把上的開關將無法按壓)

(十) 關閉主機

→ 關閉主機，請依照前圖示 G/H 先將電源開關關閉後拔下插頭，鎖上兒童安全保護開關。

注意

如果主機會有兩個月時間不會使用請將主機與副水箱內剩餘的自來水倒除防止水垢發生。

(十一) 主機鍋爐維護

注意

- 主機建議每三個月(依照各地區水質而有所差異，或發現蒸氣釋出/加熱時間變長)，請每次使用一包除鈣粉進行主機鍋爐維護。
- 如使用地區水質硬度過高容易造成鍋爐內水垢，請向德國凱馳授權經銷商或技術維修服務中心訂購除鈣粉包(料號 6.295-987.0)

請按照以下步驟操作：

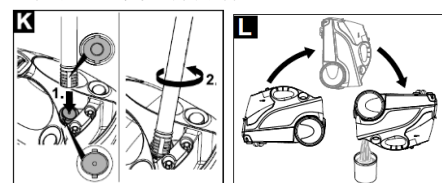


圖 K、鍋爐清洗前與期間，請勿插電加熱鍋爐或鍋爐仍在高溫狀態下進行。請利用延長管一端將蒸氣鍋爐安全鎖逆時鐘旋開將一包除鈣粉倒入進鍋爐內中浸置約 24 小時。

圖 L、將鍋爐安全鎖順時鐘鎖上，將主機左右搖晃，再將污水倒除，鎖上安全鎖。

(十二) 主機收納

注意

請選擇適當的擺放位置及收納處負載重量。
主機必須收納存放於室內。

(十三) 產品保固

1. 機器在正常狀態使用下，本公司針對主機鍋爐保固一年，其餘配件及消耗品，皆不在保固範圍內。

2. 德國凱馳建議本主機僅能使用於家用用途。主機若經原廠維修判斷為人為使用不當因素(如使用在商業營業用)，主機與其配件將失去原廠保固。
3. 主機僅能使用自來水。
4. 主機鍋爐與配件因原廠製造瑕疵將提供原廠零件維修。
5. 維修與保固維修時，請出示原廠認可的購買憑證(實體發票、電子發票含購買明細或印有免開發票章之銷售證明)。

(十四) 疑難排除

蒸氣加熱時間過長

→ 請進行主機鍋爐維護。請參考前章節。
沒有高壓蒸氣釋出或僅有一點蒸氣-主機狀態紅燈閃爍並出現聲響

→ 請添加自來水於副水箱至 **Max** 水位。
主機狀態紅燈閃爍

→ 關閉主機。
→ 請添加自來水於副水箱至 **Max** 水位。
也可能是副水箱安裝不正確
→ 請將副水箱拿起並清洗。
→ 再將副水箱安裝固定。

高壓蒸氣開關無法按壓

→ 槍把上的三段開關可能設定為安全鎖
無蒸氣但噴熱水

→ 請進行主機鍋爐維護。請參考前章節
請延長加熱時間。
→ 先將在蒸氣軟管內的剩餘水氣噴出，直到蒸氣正常釋出。

產品規格表：

電壓	110 V / 60 Hz
消耗功率	1600 W
蒸氣壓力	3.5 Bar
加熱時間	約 4 分鐘
蒸氣量	50g / 每分鐘
體積 mm	350 x 280 x 270
重量(不含配件)	4.1 Kg
副水箱+鍋爐容量	0.8 + 0.5 L

KÄRCHER

德國凱馳

德商 凱馳清潔設備股份有限公司

KÄRCHER LIMITED TAIWAN

235 新北市中和區員山路502號1F/2F-1

TEL: 02-2221-0698 FAX: 02-2221-1695

407 台中市西屯區甘肅路2段30號

TEL: 04-2317-6060 FAX: 04-2317-2050

807 高雄市鳳山區文安街15號

TEL: 07-780-3322 FAX: 07-780-3391

網址 WWW.KÄRCHER.COM.TW



www.kaercher.com/dealersearch

Alfred Kärcher SE & Co. KG

Alfred-Kärcher-Str. 28-40

71364 Winnenden (Germany)

