

SC 3 EasyFix

English	2
Español	22
Français	43



Contents

STEAM CLEANER OPERATOR'S MANUAL	3
IMPORTANT SAFETY INSTRUCTIONS	3
GROUNDING INSTRUCTIONS.....	5
Customer Service	7
Description of the unit	8
Initial commissioning.....	9
Installation.....	10
Operation	11
Important application instructions	14
Use of accessories.....	15
Care and service.....	18
Troubleshooting guide.....	21

STEAM CLEANER OPERATOR'S MANUAL

IMPORTANT SAFETY INSTRUCTIONS

Observe all basic precautions when using the device, including the following:

READ ALL INSTRUCTIONS BEFORE USING THIS MACHINE

This device is exclusively intended for private household use.

WARNING

Risk of electric shock, burns and injuries

- Never leave the device unsupervised while it is plugged in. Pull the plug out of the power socket when not using the device and before all maintenance work.
- Turn off all controls before unplugging
- Unplug before connecting accessory.
- Check that the mains voltage matches the information on the type plate.
- Use only accessories recommended by the manufacturer.
- Use and store the device only in dry indoor spaces at ambient temperatures above 32 °F (0 °C). Protect the device from moisture.
- Store the device in closed rooms.
- Store the device in a suitable location after use to avoid tripping accidents.
- Do not expose to rain.
- Repairs are only to be carried out by qualified personnel. Ensure that only identical original spare parts are installed.
- Immediately replace a damaged power cable with an original part.
- If the mains cable is damaged, or the device has fallen down, has been left outside or has been immersed in water, have the device checked by our Customer Service department before using it.
- Never touch the device, mains plug or mains socket with wet hands.
- Do not pull or carry by the power cable, do not use power cable as a handle, do not close a door on the power cable, or pull cord around sharp edges or corners. Do not run device over power cable. Keep power cable away from heated surfaces.
- Always pull the plug and never the cable in order to disconnect the device from the mains supply.
- Never use the device with an extension cord.
- Only use the device for the intended use.
- The device is not a toy. Exercise special care when using the device in the presence of children.
- Unintentional starting of the device. Ensure that the device is switched off before lifting or transporting it.
- Exercise caution when using the device on stairs.

- Never insert objects into the device openings. Do not use the device if the device openings are blocked.
- Never fill solvents, solvent-containing liquids or undiluted acids (e.g. detergents, petrol, paint thinner, and acetone) into the water reservoir as these substances corrode the materials used in the device.
- Never immerse the device in water or other liquids.
- Only use the device in containers / pools that are not filled with water or other liquids.
- Do not use the device with water that has been combined with detergent, descaling, aromatic, alcohol, rinse and/or any other sort of chemicals.
- The device may not be operated in explosive atmospheres.
- Do not spray steam in the direction of another person, animal or electrical outlet.
- Do not clean over floor electrical outlets.
- Accessories become hot during use-allow to cool down before handling.
- Allow the device to cool down and empty the tank before storing.
- Store the device indoors in a cool, dry place.
- Do not use the steam cleaner to treat any items of clothing that are still being worn on the body.
- Do not touch any hot areas on the steam cleaner. It is normal for the steam cleaner to heat up during operation.
- Do not overfill the tank. Do not exceed the maximum filling level.
- Do not operate the device without water in the tank. Always top off with water when needed.
- The steam switch must not be locked during the operation.
- The device must be placed horizontally on the floor during use.
- To prevent electric shock use only with a grounded outlet. See Grounding Instructions.

SAVE THESE INSTRUCTIONS

Polarization instructions

- To reduce the risk of an electric shock, the device is fitted with a polarized plug (one pin is wider than the other). This plug only fits into a polarized socket in one direction. Rotate the plug if it does not fit fully into the power socket. If the plug still does not fit then you must have a suitable socket installed by a qualified electrician. Never modify or replace the plug.

GROUNDING INSTRUCTIONS

- This device must be grounded. If it should malfunction or break down, grounding provides a path of least resistance for electric current to reduce the risk of electric shock.
- This device is equipped with a cord having an equipment grounding conductor and ground plug.
- The plug must be inserted into an appropriate outlet that is properly installed and grounded in accordance with all local codes and ordinances.

WARNING:

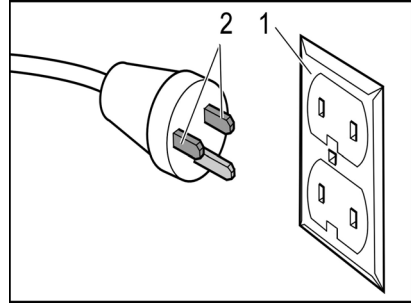
- Improper connection of the equipment grounding conductor can result in a risk of electric shock.
- Check with a qualified electrician or service person if you are in doubt as to whether the outlet is properly grounded.
- Do not modify the plug provided with the appliance.
- If it will not fit the outlet, have a proper outlet installed by a qualified electrician.
- This appliance is for use on a nominal 120-volt circuit, and has a grounded plug that looks like the plug illustrated in Fig.A.
- Make sure that the appliance is connected to an outlet having the same configuration as the plug. No adaptor should be used with this appliance.
- **DO NOT ATTEMPT TO REPAIR POWER CORD.**

**IN ALL CASES, MAKE SURE THE RECEPTACLE IN QUESTION IS PROPERLY GROUNDED.
NEVER REMOVE GROUNDING PRONG FROM POWER PLUG.**

EXTENSION CORDS

If an extension cord is absolutely necessary, an extension cord rated a minimum of 15 ampere 14 gauge cord should be used. Cords rated for less amperage may overheat. Care should be taken to arrange the cord so it cannot be pulled or tripped over.

Figure A



- 1 Grounded outlet box
 - 2 Current carrying prongs
- Grounding prong is longest of the 3 prongs.

Safety devices

CAUTION

Missing or modified safety devices

Safety devices are provided for your own protection.

Never modify or bypass safety devices.

Pressure regulator

In the case of excessively high pressure in the event of a fault, a safety valve relieves the pressure into the atmosphere.

Fuse

The fuse prevents the device from overheating. If the device overheats, the fuse disconnects the device from the power supply.

Before restarting the device, contact the KÄRCHER Customer Service at 1-800-537-4129.

Hazard levels

DANGER

- Indication of an imminent threat of danger that will lead to severe injuries or even death.

WARNING

- Indication of a potentially dangerous situation that may lead to severe injuries or even death.

CAUTION




- Indication of a potentially dangerous situation that may lead to minor injuries.

ATTENTION

- Indication of a potentially dangerous situation that may lead to damage to property.

Symbols on the device

(according to type of the device)

	Risk of burns, surface of appliance becomes hot during operation
	Risk of scalding from steam
	Read the operating instructions
USE WATER ONLY	Only fill water without additives into the water reservoir

Intended use

- The device is intended for household use only and not for commercial purposes.
- The device is intended to be used with steam and can be used with the appropriate accessories as described in these operating instructions. You will not need any detergent. Please adhere to the safety instructions.
- Please use this device only with accessories and spare parts approved by KÄRCHER.

Note

The manufacturer accepts no liability for possible damage caused by improper use or incorrect operation.

Owner/User Responsibility

The owner and/or user must have an understanding of the manufacturer's operating instructions and warnings before using this appliance.

Warning information should be emphasized and understood.

If the operator is not fluent in English, the manufacturer's instructions and warnings shall be read to and discussed with the operator in the operator's native language by the purchaser/owner, making sure that the operator comprehends its contents. Owner and/or user must study and maintain for fu-

ture reference the manufacturer`s instructions.

Customer Service

Registration

Your device must be registered in order to help with any questions or issues that you have. You can register your device at www.karcher-register.com if located in the U.S.A., www.karcher.ca if located in Canada.

Warranty

In the case of a warranty claim, you can contact customer support. Please see the contact information listed below for either the USA or Canada. You MUST provide your proof of purchase in order to file a warranty claim either via email, phone, or fax.

USA Customer Service

You can contact our Customer Service department by phone at **1-800-537-4129** or via the website at www.karcher.com/us.

Canada Customer Service

You can contact our Customer Service department by phone at **1-800-465-4980** or via the website at www.karcher.com/ca.

Scope of delivery

The scope of delivery for the appliance is shown on the packaging. During unpacking, check the contents for completeness. If any accessories are missing or in the event of any shipping damage, please notify our Customer Service department as stated above either by phone or via the website.

Technical data

Electrical connection

Voltage	V	120
Phase	~	1
Frequency	Hz	60
Degree of protection		IPX4
Protection class		I

Device performance data

Heating capacity	W	1450
Maximum operating pressure	psi (MPa)	44,0 (0,3)
Heating-up time	Sec-onds	40
Continuous steaming	oz/min (g/min)	1,76 (50)
Maximum steam blast	oz/min (g/min)	4,23 (120)

Filling quantity

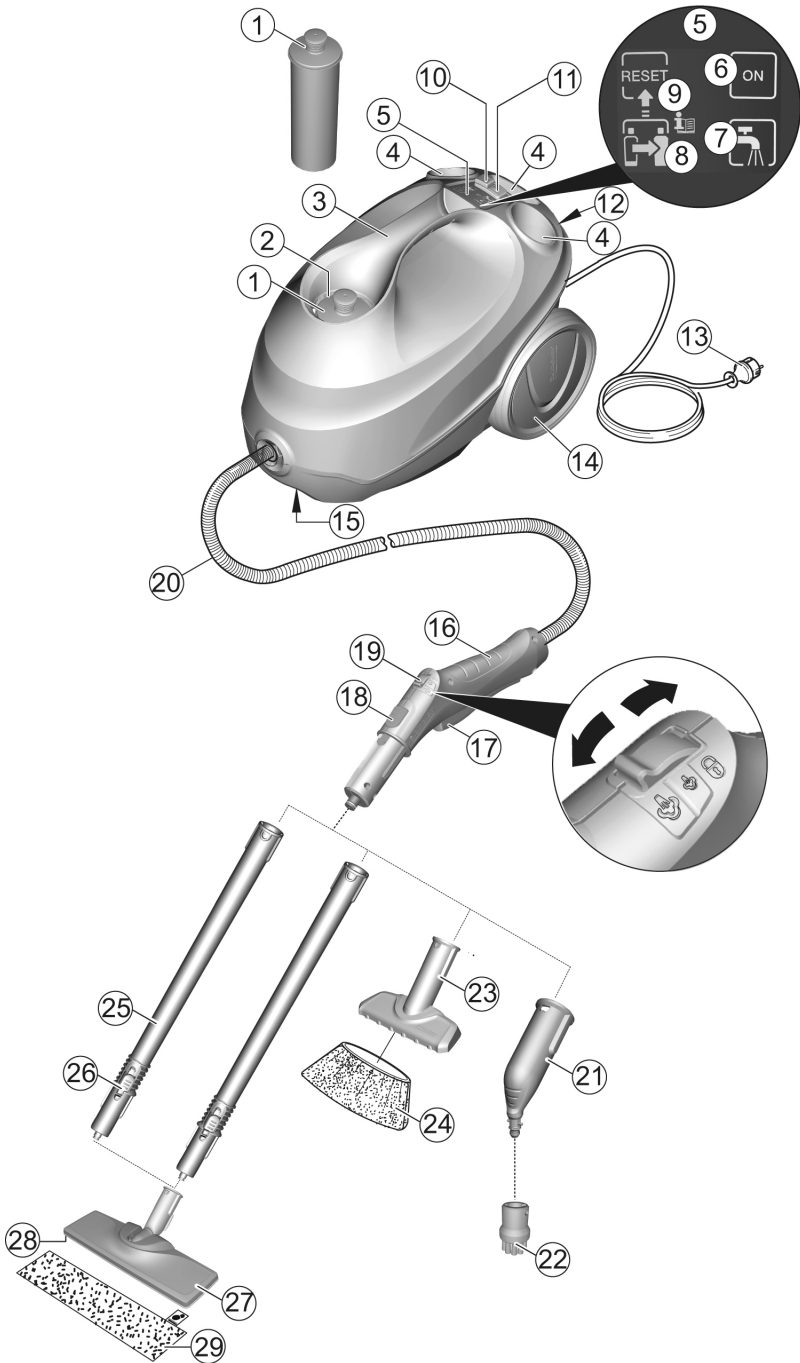
Water reservoir	gal (l)	0,26 (1,0)
-----------------	---------	------------

Dimensions and weights

Weight (without accessories)	lbs (kg)	7,05 (3,2)
Length	in (mm)	14,17 (360)
Width	in (mm)	9,3 (236)
Height	in (mm)	9,9 (253)

Subject to technical changes without notice.

Description of the unit



ATTENTION

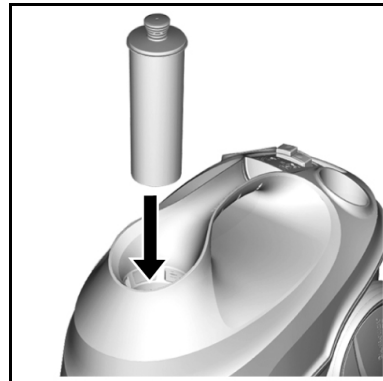
Device damage due to calcification

The decalcification cartridge only works properly if you adjust the device to the local water hardness before operating it for the first time.

Set the device to the local water hardness.

Set the device to the current water hardness before using it in an area with a different water hardness (e.g. after a move)

1. Insert the decalcification cartridge into the opening and push it so that it is firmly in place.



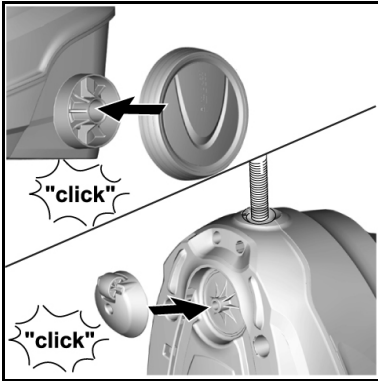
2. Set the water hardness, see chapter Setting the water hardness.

- ① Decalcification cartridge
- ② Filling hole for water
- ③ Carrying handle
- ④ Holder for accessories
- ⑤ Display
- ⑥ Indicator light (green) - mains voltage present
- ⑦ Indicator light (red) - water shortage
- ⑧ Indicator light (red) - replace decalcification cartridge
- ⑨ RESET button - set water hardness
- ⑩ Switch - On
- ⑪ Switch - Off
- ⑫ Park bracket for floor nozzle
- ⑬ Mains connection cable with mains plug
- ⑭ Non-driven wheels (2 x)
- ⑮ Steering roller
- ⑯ Steam gun
- ⑰ Steam lever
- ⑱ Unlocking button
- ⑲ Selector switch for steam volume (child lock)
- ⑳ Steam hose
- ㉑ Spotlight nozzle
- ㉒ Round brush (small, black)
- ㉓ Manual nozzle
- ㉔ Microfiber cover for manual nozzle
- ㉕ Extension tubes (2 x)
- ㉖ Unlocking button
- ㉗ Floor nozzle
- ㉘ Hook and loop fastener
- ㉙ Microfiber floor cloth (1 x)

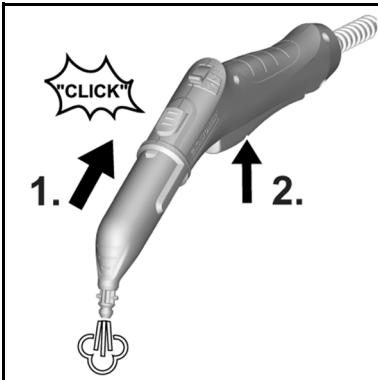
Installation

Installing accessories

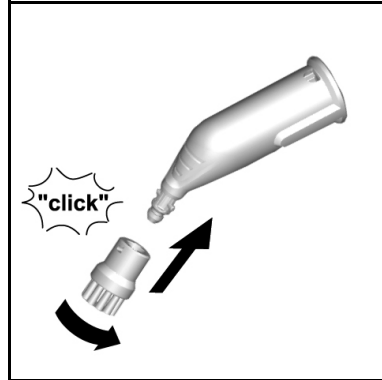
1. Insert and engage the steering roller and non-driven wheels.



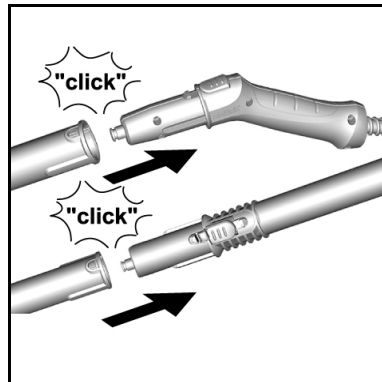
2. Push the open end of the accessory onto the steam gun so that the unlocking button on the steam gun engages.



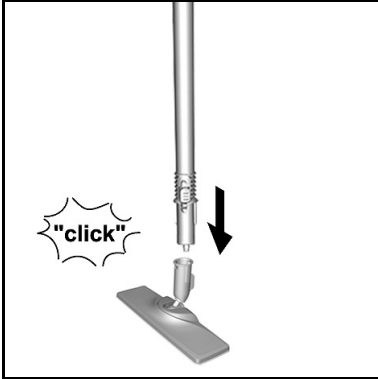
3. Push the open end of the accessory onto the spotlight nozzle.



4. Connect extension tubes with the steam gun.
 - a Push the 1st extension tube onto the steam gun until the unlocking button on the steam gun engages. The connection pipe is connected.
 - b Push the 2nd extension tube onto the 1st extension tube. The connection pipes are connected.



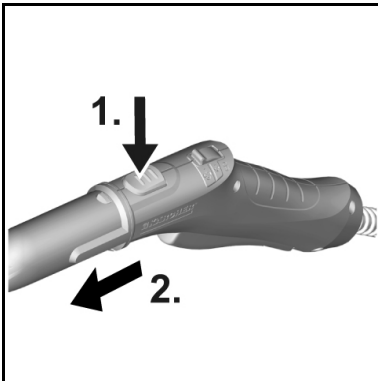
5. Push the accessory and / or the floor nozzle onto the free end of the extension tube.



The accessory is connected.

Disconnecting accessories

1. Set the selector switch for the steam volume to the rear.
The steam lever is locked.
2. Push the unlocking button and pull the parts apart.



Operation

Filling with water

The water reservoir can be filled at any time.

ATTENTION

Damage to the device

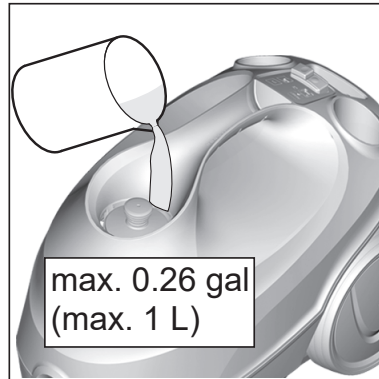
Unsuitable water can block the nozzles or damage the water level indicator.

Do not use condensation from the clothes dryer for filling.

Do not use collected rain water for filling.

Do not use detergents or other additives (e.g. scents) for filling.

1. Fill the water reservoir with a maximum of 1 l of tap water.



Switching the device on

ATTENTION

Device damage due to incorrectly set water hardness

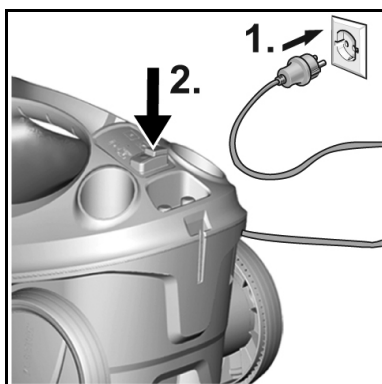
The decalcification cartridge only works properly if the device is adjusted to the local water hardness. The device may calcify if the water hardness is set incorrectly.

Adjust the device to the local water hardness before operating it for the first time, see chapter Setting the water hardness.

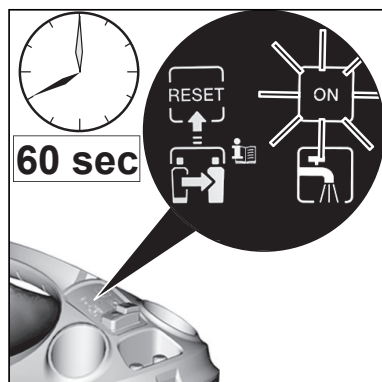
Note

When steaming for the first time after removing and reinserting the decalcification cartridge, the steam jet may be weak or irregular, and individual drops of water may be expelled. The device requires a short running-in period during which the decalcification cartridge fills with water. The steam volume that is expelled increases constantly until the maximum steam volume has been reached after approx. 60 seconds.

1. Place the device on a solid surface.
2. Plug the mains plug into a socket.
a Press the ON switch.



3. The green heating indicator light lights up.
The device is ready for use after approximately 60 seconds.



Note

After the cartridge is inserted for the first time or has been replaced, it takes about 60 seconds for a good steam image result.

Regulating the steam volume

The expelled steam volume is regulated using the selector switch for steam volume. The selector switch has three positions:

	Maximum steam volume
	Reduced steam volume
	No steam - child lock Note <i>In this position, the steam lever cannot be operated.</i>

1. Set the selector switch for the steam volume to required steam volume.
2. Press the steam lever.
3. Before starting cleaning, point the steam gun at a cloth until steam is expelled evenly.

Refilling water

If there is a water shortage, the red water shortage indicator light lights up constantly.

For constant steam output, the water has to be topped up through the cover of the decalcification cartridge. When refilling the water, the decalcification cartridge remains secured in the device.

Note

The device is equipped with dry running protection for the pump. If the pump runs dry for a longer period, e.g. because the decalcification cartridge is not correctly inserted, the pump

switches off and the red water shortage indicator light flashes.

To be able to operate the device again, the device has to be switched off and back on again. In the process, you must make sure that the cartridge has been inserted correctly and there is enough water in the water reservoir.

1. Fill the water reservoir with a maximum of 1 l of tap water through the cover of the decalcification cartridge.

The red water shortage indicator light goes out.

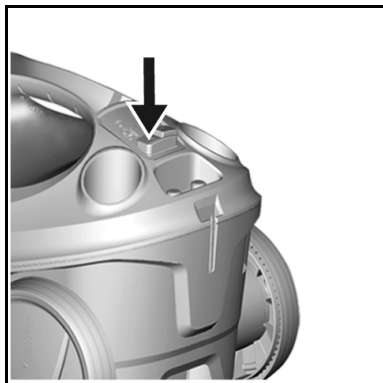
Interrupting operation

In order to save energy, we recommend that you switch off the device for operating breaks longer than 20 minutes.

1. Press the OFF switch.

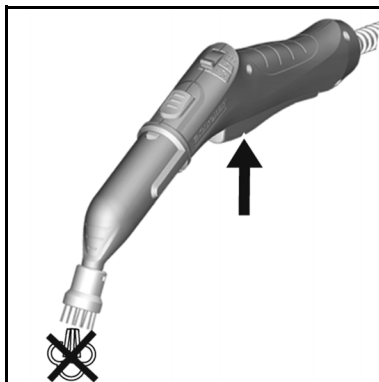
Switching off the device

1. Press the OFF switch.



The device is switched off.

2. Press the steam lever until no more steam flows out.



The steam boiler is depressurized.

3. Set the child lock (selector switch for steam volume) to the rear.
The steam lever is locked.
4. Pull the mains plug out of the socket.

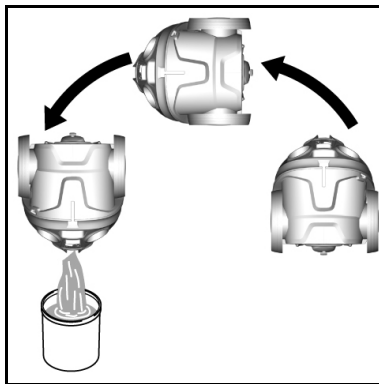
ATTENTION

Device damage due to water putrefaction

If the device is not put into operation for more than 2 months, the water in the tank may putrefy.

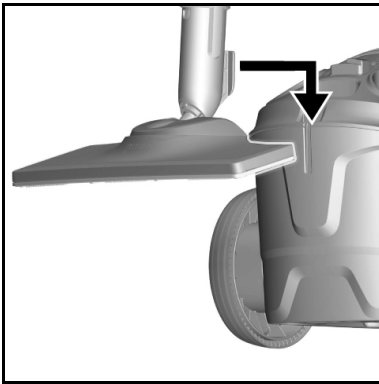
Drain the water reservoir before breaks in operation.

5. Drain the water reservoir.

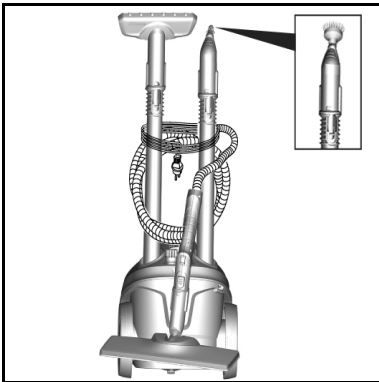


Keep the device safe

1. Plug the extension tubes into the large holders for accessories.
2. Plug a manual nozzle and spotlight nozzle into each extension tube.
3. Fasten the large round brush to the spotlight nozzle.
4. Plug the small round brush and nozzles into the medium-sized holder for accessories.
5. Hang the floor nozzle in the park bracket.



6. Wind the steam hose around the extension tube and plug the steam gun into the floor nozzle.



7. Wind the mains cable around the extension tube.
8. Store the device in a dry location that is protected from frost.

Important application instructions

Cleaning the floor areas

We recommend sweeping the floor or vacuum cleaning it before using the device. In this way the floor will be cleared of dirt and loose particles before the wet cleaning commences.

Freshening up textiles

Prior to using the device, always check the compatibility of the textiles at a concealed point: Steam down the textile, allow it to dry and then check it for any change in color or shape.

Cleaning coated or painted surfaces

ATTENTION

Damaged surfaces

Steam can loosen wax, furniture polish, plastic coatings or paint and edge band from edges.

Do not direct the steam at glued laminated edges as the edge band may loosen.

Do not use the device for cleaning unsealed wood or parquet floors.

Do not use the device for cleaning painted or plastic coated surfaces such as kitchen or living room furniture, doors or parquet.

1. To clean these surfaces, steam a cloth briefly and use it to wipe over the surfaces.

Glass cleaner

ATTENTION

Glass breakages and damaged surfaces

Steam can damage sealed points of the window frame and, at low exterior temperatures, lead to tension on the surface of window panes and hence to glass breakages.

Do not direct the steam at sealed points on the window frame.

At low exterior temperatures, heat up the window panes by gently steaming the whole glass surface.

- Clean the window area with a manual nozzle and cover. To remove the water, use a squeegee or wipe the surfaces dry.

Use of accessories

Steam gun

The steam gun can be used for the following applications without accessories:

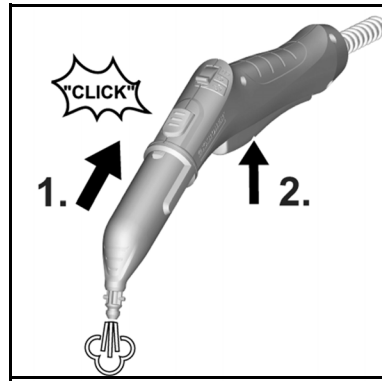
- For removing slight creases from the hanging clothing items: Steam the clothing item from a distance of 10-20 cm.
- For wiping damp dust: Steam a cloth briefly and use it to wipe over the furniture.

Spotlight nozzle

The spotlight nozzle is suitable for cleaning areas, joints, fittings, drains, sinks, toilets, blinds or heaters that are difficult to access. The closer the spotlight nozzle is to the soiled area, the greater the cleaning efficiency will be, since the temperature and steam volume are at their highest at the nozzle opening. Larger lime deposits can be treated before steam cleaning with a suitable detergent. Allow the detergent

to soak in for approx. 5 minutes and then steam it off.

1. Slide the spotlight nozzle onto the steam gun.



Round brush (small)

The small round brush is used for cleaning stubborn soiling. Stubborn soiling can be removed more easily by brushing.

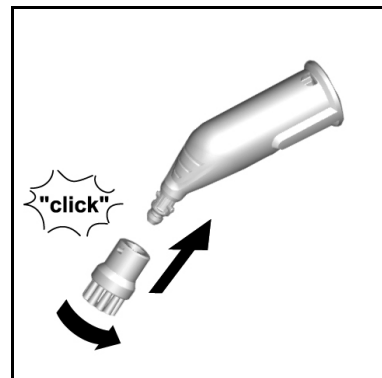
ATTENTION

Damaged surfaces

The brush may scratch sensitive surfaces.

It is not suitable for cleaning sensitive surfaces.

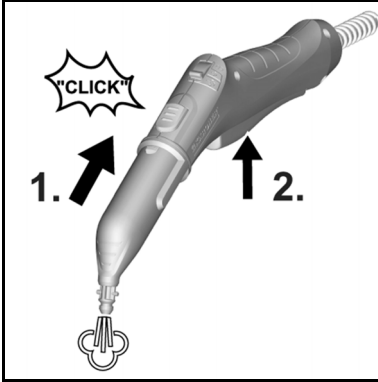
1. Fit the round brush to the spotlight nozzle.



Manual nozzle

The manual nozzle is used for cleaning small areas that can be washed down, shower cubicles and mirrors.

1. Push the manual nozzle onto the steam gun according to the spotlight nozzle.



2. Pull the cover over the manual nozzle.

Floor nozzle

The floor nozzle is used for cleaning washable wall and floor coverings e.g. stone floors, tiles and PVC floors.

ATTENTION

Damage due to steam effects

Heat and moisture can lead to damage.

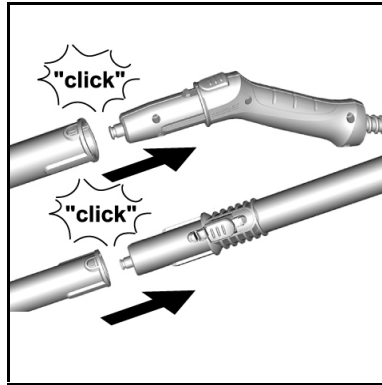
Check the heat resistance and steam effect on an inconspicuous area using a minimal steam volume prior to use.

Note

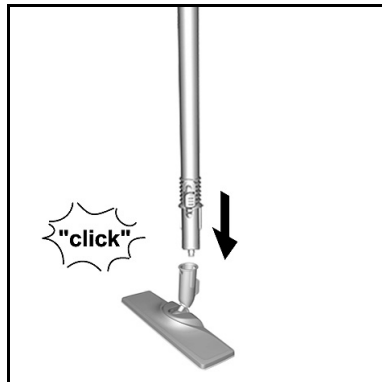
Detergent residue or care emulsions on the surface to be cleaned can lead

to streaks during steam cleaning, which will disappear however once these have been used several times. We recommend sweeping the floor or vacuum cleaning it before using the device. In this way the floor will be cleared of dirt and loose particles before the wet cleaning commences. Work slowly on surfaces that are heavily soiled so that the steam has longer to take effect.

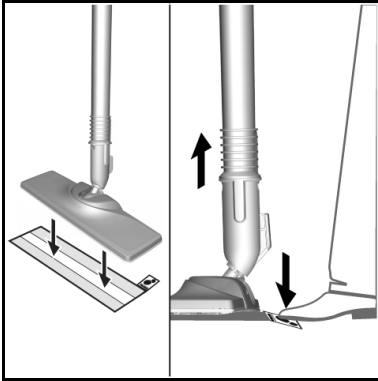
1. Connect extension tubes with the steam gun.



2. Push floor nozzle onto extension tube.



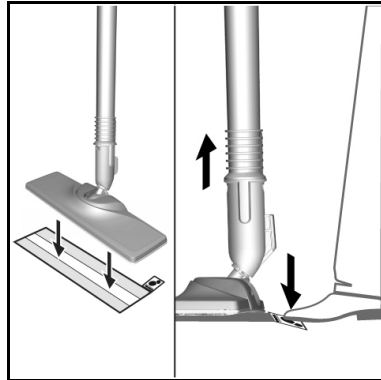
3. Attach floor cleaning cloth to floor nozzle.
 - a Place the floor cleaning cloth with the hook and loop fastener pointing upwards on the floor.
 - b Place the floor nozzle onto the floor cleaning cloth, applying slight pressure.



The floor cleaning cloth will stick to the floor nozzle of its own accord due to the hook and loop fastener.

Removing the floor cleaning cloth

1. Place one foot on the bottom corner of the floor cleaning cloth and lift the floor nozzle up.

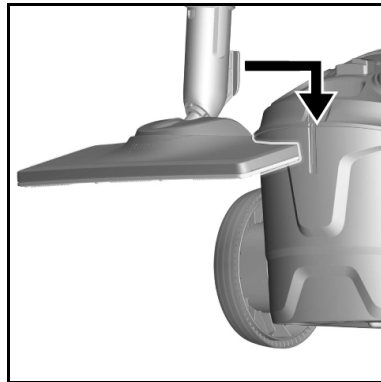


Note

Initially, the floor cleaning cloth's hook and loop fastener strip is very strong and cannot be removed from the floor nozzle easily. After the floor cleaning cloth has been used several times and washed, it is easier to remove from the floor nozzle and it has reached the optimum adhesion.

Parking the floor nozzle

1. Hang the floor nozzle in the park bracket during breaks in work.



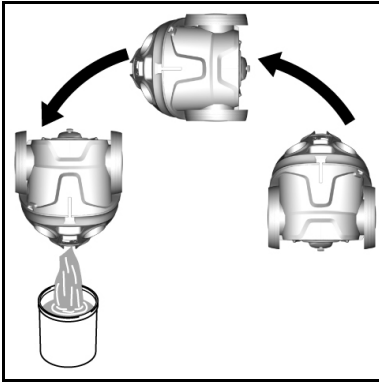
ATTENTION

Device damage due to water putrefaction

If the device is not put into operation for more than 2 months, the water in the tank may putrefy.

Drain the water reservoir before breaks in operation.

1. Press the OFF switch.
The device is switched off.
2. Pull the mains plug out of the outlet.
3. Remove the accessory/accessories from the accessory holders.
4. Remove the decalcification cartridge from the device.
5. Drain the water reservoir.



Replacing the decalcification cartridge

ATTENTION

Device damage and shortened service life

If the replacement intervals (indicator light) for the decalcification cartridge are not observed, there is a risk of device damage and the service life of the device may be shortened.

Observe the replacement intervals (indicator light).

Note

The replacement intervals depends on the local water hardness. Areas with hard water (e.g. III/IV) have a higher replacement interval than areas with soft water (e.g. I/II).

Indicator lamp at end of the run time

The "decalcification cartridge indicator light" indicates when the decalcification cartridge has to be replaced:

- The indicator light flashes 2 hours before the run time expires.
- The indicator light flashes more quickly 1 hour before the run time expires.
- Once the run time for the decalcification cartridge has expired, the indicator light lights up constantly and the device switches off automatically in order to prevent device damage.

Inserting the decalcification cartridge

ATTENTION

Device damage

There is a risk of damage to the device if the used decalcification cartridge is re-used.

Work carefully in order to prevent mixing up the cartridges.

Note

When steaming for the first time after removing and reinserting the decalcification cartridge, the steam jet may be weak or irregular, and individual drops of water may be expelled. The device requires a short running-in period during which the decalcification cartridge fills with water. The steam volume that is expelled increases constantly until the maximum steam volume has been reached after approx. 60 seconds.

1. Press the OFF switch.
The device is switched off.
2. Remove the decalcification cartridge.
3. Insert the new decalcification cartridge.
4. Press the On switch.
The device is switched on.
5. Press and hold the RESET button for 4 seconds.
The "replace decalcification cartridge" indicator light goes out and the run time for the decalcification cartridge starts again.
6. Allow the device to heat up.
7. Press and hold the steam lever for approximately 60 seconds to vent the decalcification cartridge.

Note

After the cartridge is inserted for the first time or has been replaced, it takes about 60 seconds for a good steam image result.

Setting the water hardness

ATTENTION

Device damage due to calcification

Without a decalcification cartridge, the device may calcify if the water hardness is set incorrectly.

Always work with a decalcification cartridge.

Set the device to the local water hardness.

Set the device to the current water hardness before using it in an area with a different water hardness (e.g. after a move).

Note

Your water board or municipal utilities authority can provide information on hardness of tap water.

The water hardness is set using the RESET button. The water hardness setting is stored until a new setting (e.g. after a move) is made. The device is set to the highest water hardness (level IV) in the factory. The device indicates the set water hardness with flash pulses.

Water hardness levels and flash pulses

Hardness range		°dH	mmol/l	Number of flash pulses	Interval between flash pulses
I	Soft	0-7	0-1.3	1x	4 seconds
II	Medium	7-14	1.3-2.5	2x	
III	Hard	14-21	2.5-3.8	3x	
IV	Very hard	>21	>3.8	4x	

Note

The anti-calcification effect of the decalcification cartridge is activated as soon as the device is filled with water and put into operation. Lime in the water is absorbed by the granulate in the decalcification cartridge. Additional decalcification is not required.

Note

The granulate in the cartridge can discolor on contact with water due to the mineral content in the water, which is no cause for concern and has no negative effects on the device, cleaning work or the functionality of the cartridge.

Note

Do not pause for longer than 15 seconds when setting as the device will

(Accessories - depending on scope of delivery)

Note

The microfiber cloths are not suitable for dryer.

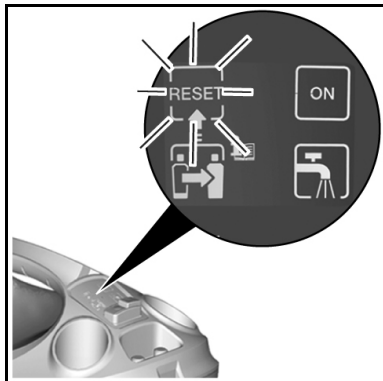
Note

For optimum cleaning performance, we recommend machine washing the cloths once before first use. When washing, observe the notes on the washing tag. Do not use any liquid softeners as this will affect the ability of the cloths to pick up dirt.

1. Wash the floor cleaning cloths and covers at a max. temperature of 140° F (60° C) in the washing machine.

otherwise be set automatically to the last selected water hardness or the highest water hardness set during initial start-up.

1. Connect the mains plug.
2. Make sure that the device is switched off.
3. Press the RESET button and hold it while switching on the device.



After approximately 2 seconds, the indicator light flashes and signals the current water hardness setting with the number of pulses.

4. Press the RESET button repeatedly to change the water hardness level.

Note

When the RESET button is pressed, the flash pulse for the water hardness level is not indicated.

5. Release the RESET button.
The flash pulse for the set water hardness is indicated.
6. Repeat the procedure as necessary until the desired water hardness level has been achieved.
7. Press and hold the RESET button for 3 seconds to save the setting for the water hardness level.
The indicator light for the water hardness lights up.

Troubleshooting guide

Malfunctions often have simple causes that you can remedy yourself using the following overview. When in doubt, or in the case of malfunctions not mentioned here, please contact your authorized Customer Service.

WARNING

Risk of electric shock and burns

Trying to eliminate faults while the device is connected to the mains or has not yet cooled down is always dangerous.

Remove the mains plug.

Allow the device to cool down.

The water shortage indicator light flashes red

The dry running protection for the pump is deactivated.

1. Switch the device off and back on again.
2. Make sure that the decalcification cartridge has been inserted correctly and there is sufficient water in the tank.

The water shortage indicator light lights up constantly in red

No water in the water reservoir.

1. Refill the water reservoir, see chapter Refilling water.

The steam lever cannot be pressed

The steam lever is locked with the child lock.

- Set the child lock (selector switch for steam volume) to the front.

The steam lever is released.

No steam / little steam despite sufficient water in the tank

The decalcification cartridge has not been inserted or has been inserted incorrectly.

- Insert the decalcification cartridge or insert it correctly.

The decalcification cartridge has been removed while topping up the water.

- Leave the decalcification cartridge in the device when topping off.

New decalcification cartridge has been inserted.

- Press and hold the steam lever constantly.

The full steam output is reached after approximately 60 seconds.

Red indicator light "replace decalcification cartridge" lights up / flashes

Run time of the decalcification cartridge ends soon.

- Insert the new decalcification cartridge and reset the maintenance indicator, see chapter Replacing the decalcification cartridge.

The RESET button was not pressed after replacement of the decalcification cartridge.

- Press and hold the RESET button for 4 seconds after inserting the decalcification cartridge, see chapter Replacing the decalcification cartridge.

Device switches off automatically

Run time for the decalcification cartridge has expired

- Insert the new decalcification cartridge and reset the maintenance indicator, see chapter Replacing the decalcification cartridge.

The RESET button was not pressed after replacement of the decalcification cartridge.

- Press and hold the RESET button for 4 seconds after inserting the decalcification cartridge, see chapter Replacing the decalcification cartridge.

Índice de contenidos

MANUAL DE USO DE LA LIMPIADORA DE VAPOR	23
INTRUCCIONES DE SEGURIDAD IMPORTANTES	23
INTRUCCIONES DE PUESTA A TIERRA	25
Atención al cliente	27
Descripción del equipo	28
Primera puesta en marcha	29
Montaje	30
Manejo	31
Información importante para el usuario	34
Empleo de los accesorios	35
Cuidado y mantenimiento	38
Ayuda en caso de avería	41

MANUAL DE USO DE LA LIMPIADORA DE VAPOR

INTRUCCIONES DE SEGURIDAD IMPORTANTES

Al utilizar el equipo, deben tenerse en cuenta todas las precauciones básicas de seguridad, entre las que se incluyen las siguientes:

LEA TODAS LAS INSTRUCCIONES ANTES DE UTILIZAR ESTA MÁQUINA

Este equipo está destinado exclusivamente al uso privado en el hogar.

ADVERTENCIA

Peligro de choques eléctricos, incendios o lesiones

- No deje el equipo sin supervisión mientras esté enchufado. Mientras no esté utilizando el dispositivo o antes de los trabajos de mantenimiento, extraiga el conector de la toma de corriente.
- Apagar los mandos de control antes de desenchufar.
- Desenchufe antes de conectar el accesorio.
- Compruebe que la tensión de red coincida con los datos de la placa de características.
- Utilice únicamente el accesorio recomendado por el fabricante.
- Use y almacene el equipo únicamente en espacios interiores secos

con temperaturas ambientes de más de 32 °F (0 °C). Proteja el equipo de la humedad.

- Almacene el equipo solo en salas cerradas.
- Para evitar tropiezos, guarde el equipo después de utilizarlo.
- No exponga la herramienta a la lluvia.
- Solo el personal cualificado puede realizar los trabajos de reparación. Asegúrese de que se montan únicamente piezas de recambio idénticas.
- Sustituya inmediatamente un cable de red dañado por un componente original.
- Si se producen daños en el cable de red porque el equipo se haya caído, se haya olvidado fuera o se haya sumergido en agua, el servicio de postventa debe realizar comprobaciones en el equipo antes de utilizarlo.
- Nunca toque el equipo, los conectores de red ni los enchufes con las manos húmedas.
- No tire del dispositivo ni lo transporte por el cable; no utilice el cable como empuñadura; no deje que el cable quede atrapado al cerrar una puerta; ni tire del cable en torno a bordes cortantes o esquinas. No deje que el dispositivo pase por encima del cable. Mantenga el cable alejado de las superficies con calor.
- Para desconectar el equipo de la red eléctrica, tire solo del conector y no del cable de red.
- No utilice el equipo con un cable de prolongación.

- Utilice el equipo solo para su uso previsto.
- El equipo no es un juguete. Es necesario prestar especial atención si utiliza el equipo en presencia de niños.
- Arranque involuntario del equipo. Asegúrese de que el equipo está desconectado antes de elevarlo o transportarlo.
- Tenga cuidado al utilizar el equipo en escaleras.
- No obstruya los orificios del equipo con objetos. No utilice el equipo si los orificios están obstruidos.
- No vierta nunca disolventes, líquidos que contengan disolventes o ácidos no diluidos (p. ej. detergentes, gasolina, disolvente de pintura y acetona) en el depósito de agua, ya que estas sustancias corroen los materiales que se usan en el dispositivo.
- No sumerja nunca el dispositivo en agua ni en otros líquidos.
- Utilice el dispositivo solo en recipientes/piscinas que no contengan agua ni otros líquidos.
- No use el dispositivo con agua que haya sido mezclada con detergente, descalcificador, aromatizante, alcohol, enjuague ni cualquier otro tipo de sustancias químicas.
- Este dispositivo no puede usarse en atmósferas explosivas.
- No rocíe vapor en dirección a otra persona, animal ni toma de corriente.
- No limpie sobre tomas de corriente de suelo.
- Los accesorios se calientan durante el uso; deje que se enfríen antes de manipularlos.
- Deje que el dispositivo se enfríe y vacíe el depósito antes de guardarlo.
- Guarde el dispositivo bajo techo en un lugar fresco y seco.
- No use la limpiadora de vapor para tratar objetos o ropa mientras aún están en contacto con el cuerpo.
- No toque las zonas calientes de la limpiadora de vapor. Es normal que la limpiadora de vapor se caliente durante el uso.
- No llene en exceso el depósito. No exceda el nivel de llenado máximo.
- No use el dispositivo sin agua en el depósito. Rellene con agua siempre que sea necesario.
- La tecla de vapor no debe estar bloqueada durante el uso.
- El equipo debe estar colocado horizontalmente y apoyado sobre el suelo durante su uso.
- Para prevenir choques eléctricos, use solo con una toma de corriente con puesta a tierra. Véanse las instrucciones de puesta a tierra.

GUARDAR ESTAS INSTRUCCIONES

Instrucciones de polarización

- Para reducir el riesgo de una descarga eléctrica, el equipo cuenta con un conector polarizado (con una punta más grande que la otra), que solo puede encajarse en una dirección en una toma de corriente polarizada. Hay que dar la vuelta al conector si este no encaja correctamente en la toma de corriente. Si el conector sigue sin encajar, debe encargarse a un electricista cualificado que instale una toma de corriente adecuada. Nunca modifique o reemplace el enchufe.

INTRUCCIONES DE PUESTA A TIERRA

- Este dispositivo debe estar puesto a tierra. En caso de un fallo de funcionamiento o avería, la conexión a tierra proporciona un camino de menor resistencia para que la corriente eléctrica reduzca el peligro de choque eléctrico.
- Este dispositivo está equipado con un cable que tiene un conductor de puesta a tierra y un conector de puesta a tierra.
- El conector debe estar conectado a una toma de tierra adecuada que esté instalada y puesta a tierra correctamente conforme a todas las normativas locales.

ADVERTENCIA:

- Una conexión indebida del conductor de tierra del equipo puede provocar peligro de choques eléctricos.
- Ponerse en contacto con un electricista o un representante del servicio de postventa si hay dudas sobre como poner a tierra correctamente la toma de corriente.
- No modifique el enchufe suministrado del aparato.
- Si el conector no coincide con la toma de corriente, el electricista debe instalar una toma de corriente adecuada.
- El aparato se usa con un circuito de 120 voltios y tiene un enchufe con toma a tierra que tiene el mismo aspecto que la ilustración A.
- Asegúrese de que el aparato está conectado a una toma de corriente que tenga la misma configuración

que el conector. No se debe usar ningún adaptador con este aparato.

- **NO INTENTAR REPARAR UN CABLE DE CONEXIÓN DE RED.**

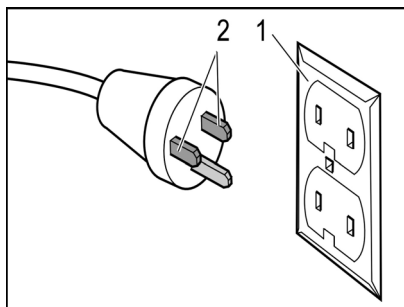
EN CUALQUIER CASO SE DEBE GARANTIZAR QUE LA TOMA DE CORRIENTE CORRESPONDIENTE ESTÁ PUESTA A TIERRA CORRECTAMENTE.

NO RETIRAR EN NINGÚN CASO LA CLAVIJA DE TIERRA DEL CONECTOR DE RED.

CABLE DE PROLONGACIÓN

Si es absolutamente necesario un alargador, debe usarse un cable clasificado con un mínimo de 15 amperios de calibre 14. Los cables clasificados con menos intensidad de la corriente pueden sobrecalentarse. El cable debe colocarse con cuidado de manera que no se pueda tirar de él ni tropezar con él.

Figura A



- 1 Caja de toma de corriente con puesta a tierra
- 2 Horquillas conductoras de corriente
La horquilla de toma a tierra es la más larga de las 3.

⚠ DF975 | 7 =é B

8]gdcg]hj c`XYgY[i f]XUX ZJHUhYg`c`
a cX]ZVUXcg

Š[•Šā][•ā[•Š^Á^*~|āāš^|āš Á
][|Á^Á^*~|āāšÉ

Ʈ`~&ā[āā~^Áā āš āš |Á[•ŠāÉ
][•ā[•Š^Á^*~|āāšÉ

F Y[i `UXcf`XYdfYg]Ob

Úā[]Šā[Š^Á^*|||ÉÁ^| [ā`&Á`] ā
][^ā] Ác&•āš ^] c`āāā] āš |c`É
|āš^Á^*~|āāšāāšāāāāš^Š^•{ []É
āš^Á^|Á^| c`][É

: i g]V`YXYdfchVWY]Ob

ÒÁ`•ā|Š^Á^|[c&ā] ā]āš^~^Á^|Á
^~ā[Á^Á[ā^&ā] c`ÉÚā|Á^~ā[Á
•Á[ā^&ā] āāÁ`•ā|Š^Á^|[c&É
&ā] Š^•&] ^āāÁ^~ā[Š^Á^āÉ
c`c`Š^Á^|[c`Áā][]Á^] Á ā&ā|Á
^~ā[Éāāāāāāāāāāāāāā
][•c`] āā[]^c`] c`Š^Á^|Š+ÜÖPÖÜ
con numero 1-800-537-4129.

B]j`Y`Yg`XYdY][fc

⚠ D9 @ F C

Œā[Š^Á^] Á^|ā|[ā[]c`Á^~
][|ā`&Á^•ā] ^•ā|[]|ā^•Á^āš^
[āš^~^c`É

⚠ 58 J9 FH9 B7 =5

Œā[Š^Á^] ā[•ā|Á^āāā] Á^|ā
*][•āš^~^Á^~^ā^Á^|[ā`āš^•ā] ^•
&][]|ā^•Á^āš^•Á^āāš^~^c`É





⚠ DF975 | 7 =é B

Œā[Š^Á^] ā[•ā|Á^āāā] Á^|ā
*][•āš^~^Á^~^ā^Á^|[ā`āš^•ā] ^•
&][]|ā^•Á^c`•É

7 | =58 C

Œā[Š^Á^] ā[•ā|Á^āāā] Á^|ā
*][•āš^~^Á^~^ā^Á^|[ā`āš^•ā[•Á^ā
c`|ā^•É

Œ[Á`]ā[]Š^Á^| Š^Á^~^ā[D

	Ú ā [ā` &[ā`•ā] É āš^~^ āāā ā^ ^~ā[•Á &ā] āā` āc`^ ~] &ā] āš]c`
	Úā`* [Š^Á^•&āāā~ ā ā^āā[āāā]
 	Š^Á^ Á^ āš^~āš^Á ā`d` &ā] ^•
I 9`K5H9F`CB@	Š[]ā[Š^Á^ 5`ā[Š^Á^āāā &] āš^~āā[]āš^b`UX]hj cg

I gc`dfYj]gic

- Œ`c`Šā[]•ā[Á`c`Š^•āā[]ā] ā
&ā ^] c`Áāāā• [Š[{ ..ā[Á^Á[
] āāā^•ā[] |āā^•É
- Œ`c`Šā[]•ā[Á`c`Š^•āā[]āāā
~^• [&] āā[]Á^~^ā^āāāāāā
][•āā•[|ā`āā&āā[]āāāā[É
{ [Á^Š^•&āā^] Á`c`āā`d` &ā É
} ^•Š^Á^•[É[]Á^Á^&āā
ā^c`^*^] c`ÉÚ•] ^c`āāā`d` &ā É
} ^•Š^Á^*~|āāšÉ
- W^Á^•c`Šā[]•ā[]ā] āā ^] c`
&] āā•[|ā`Á^Á^āā āā`ā[]āā
ā[•Á^|Š+ÜÖPÖÜÉ

BchU

ÒÁāā[āā c`Á[āā`{ ^Á^•}[]•āāāā
āāāā^~} ā[]Á`Šā[]Á^~^ā^āāāā
ā^|āāā^Š^Á^] Á`[āāā&āā[]āāāÉ
&][^&É

F YgdcbgUV]XUX`XY`i gi Uf]c# dfcd]YHf]jc

Œ`c`Š^Á^āāāāā~ā[]Éā^ā^Á^|Á^Á
^] c`] ā^|Á^| āš^~āš^ā`d` &ā} ^•Á^Á
|āā`d` &ā} ^•Š^Á^*~|āāšÉ
Œ^*g|^•^Š^Á^~^Á^|Á^| ^|āā`Á^~Á^
}[]āā[]ā`••ā[]Á^ā`Šā[]} *ā^Á
ā^|Á^| āš^~āš^ā`d` &ā} ^•Á^āāā`É
d` &ā} ^•Š^Á^*~|āāš^] Á^~āā[āā
{ āā[] [Á^Š^Á^~^Á^|Á^| āāā] É
Œ^*g|^•^Š^Á^~^Á^|Á^| āš^~āš^ā`d`
d` &ā} ^•Á^āāā`d` &ā} ^•Š^Á^*~
|āāš^•c`.] Áā[] |Á^ā[] []ā|•Á^āāā
&]•^|āā[]c`|ā`|•É

Atención al cliente

Registro

Debe registrar su dispositivo para poder recibir ayuda con cualquier pregunta o problema que tenga. Puede registrar su dispositivo en www.karcher-register.com si se encuentra en los EE. UU., www.karcher.ca si se encuentra en Canadá.

Garantía

Si tiene una reclamación de garantía, puede contactar al servicio de atención al cliente. Consulte la información de contacto que se indica a continuación para EE.UU.o Canadá. DEBE proporcionar su comprobante de compra para presentar una reclamación de garantía por correo electrónico, teléfono o fax.

Servicio de postventa en EE. UU.

Puede ponerse en contacto con nuestro servicio de postventa por teléfono en el **1-800-537-4129** o a través de la página web www.karcher-help.com.

Atención al cliente en Canadá

Puede comunicarse con nuestro departamento de Atención al Cliente por teléfono al **1-800-465-4980** o en la página web www.karcher.com/ca/support.

Cobertura de la entrega

La cobertura de la entrega del aparato se indica en el embalaje. Al desempaquetarlo, compruebe que el contenido esté completo. Si falta algún accesorio o si se produce algún daño durante el transporte, notifique a nuestro departamento de Atención al Cliente tal como se ha indicado anteriormente por teléfono o en la página web.

Datos técnicos

Conexión eléctrica

Tensión	V	120
Fase	~	1
Frecuencia	Hz	60
Tipo de protección		IPX4
Clase de protección		I

Datos de potencia del equipo

Potencia calorífica	W	1450
Presión de servicio máxima	psi (MPa)	44,0 (0,30)
Tiempo de calentamiento	Segundos	40
Vaporización continua	oz/min (g/min)	1,76 (50)
Chorro de vapor máximo	oz/min (g/min)	4,23 (120)

Volumen de llenado

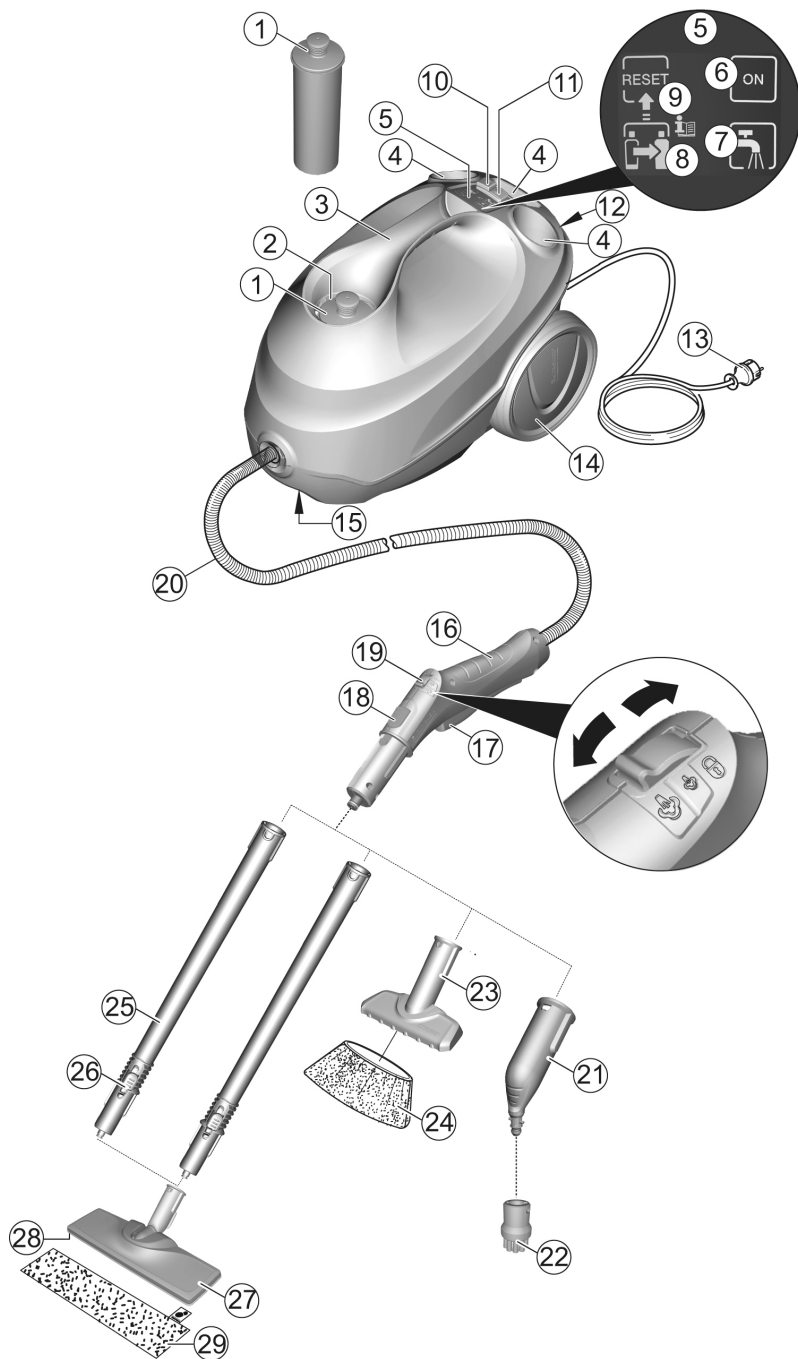
Depósito de agua	gal (l)	0,26 (1,0)
------------------	---------	------------

Peso y dimensiones

Peso (sin accesorios)	lbs (kg)	7,05 (3,2)
Longitud	in (mm)	14,17 (360)
Anchura	in (mm)	9,3 (236)
Altura	in (mm)	9,9 (253)

Reservado el derecho a realizar modificaciones.

Descripción del equipo



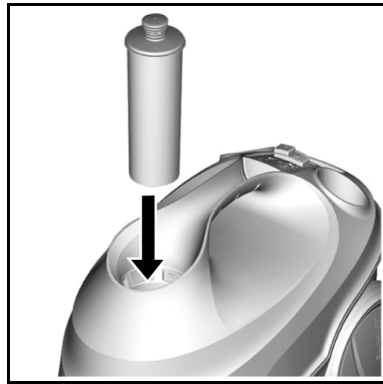
CUIDADO

Daños en el equipo por la calcificación

El cartucho descalcificador solo funciona de manera óptima si ajusta el equipo antes del 1.º servicio a la dureza del agua local.

Ajustar equipo a la dureza del agua local. Antes de su uso en una zona con un agua de dureza distinta (p. ej. tras una mudanza), ajustar el equipo a la dureza del agua actual

1. Colocar el cartucho descalcificador en la apertura y presionar hasta que se quede bien fijado.



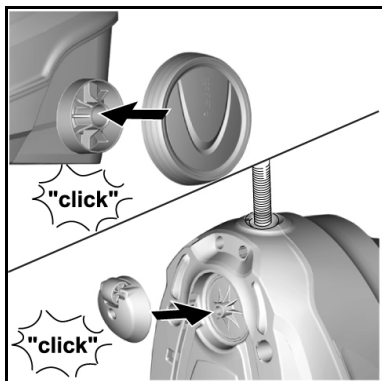
2. Para ajustar la dureza del agua, ver el capítulo Ajuste de la dureza del agua.

- ① Cartucho descalcificador
- ② Boca de llenado para agua
- ③ Asa de transporte
- ④ Soporte para los accesorios
- ⑤ Indicación en pantalla
- ⑥ Lámpara de control (verde): existe tensión de red
- ⑦ Lámpara de control (roja): falta de agua
- ⑧ Lámpara de control (roja): sustitución cartucho descalcificador
- ⑨ Tecla RESET: ajustar la dureza del agua
- ⑩ Interruptor: ON
- ⑪ Interruptor: OFF
- ⑫ Sujeción de estacionamiento para la boquilla para suelos
- ⑬ Cable de conexión de red con conector de red
- ⑭ Rodillos (2 unidades)
- ⑮ Rodillo de dirección
- ⑯ Pistola de vapor
- ⑰ Palanca de vapor
- ⑱ Tecla de desbloqueo
- ⑲ Interruptor de selección para el volumen de vapor (seguro para niños)
- ⑳ Manguera de vapor
- ㉑ Boquilla de chorro
- ㉒ Cepillo redondo (pequeño, negro)
- ㉓ Boquilla manual
- ㉔ Cubierta de microfibras para boquilla manual
- ㉕ Tubo de prolongación (2 unidades)
- ㉖ Tecla de desbloqueo
- ㉗ Boquilla para suelos
- ㉘ Unión adhesiva
- ㉙ Paño para suelos de microfibras (1 unidad)

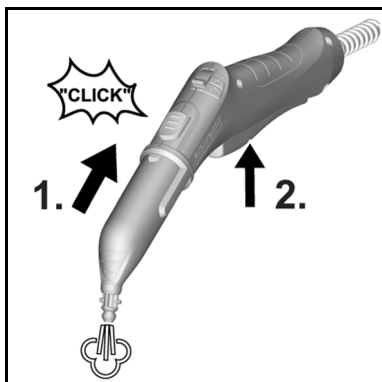
Montaje

Montaje de los accesorios

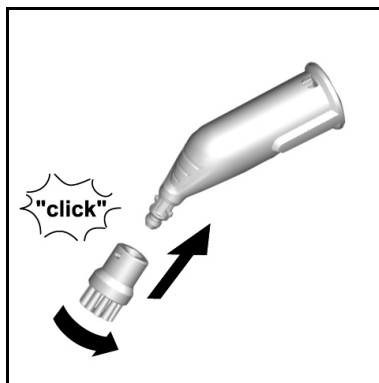
1. Colocar y encajar la rueda giratoria y demás ruedas.



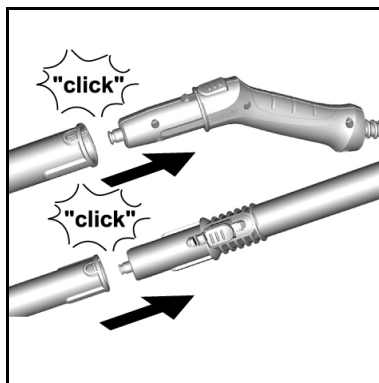
2. Colocar el extremo abierto del accesorio en la pistola de vapor hasta que la tecla de desbloqueo de la pistola de vapor se enclave.



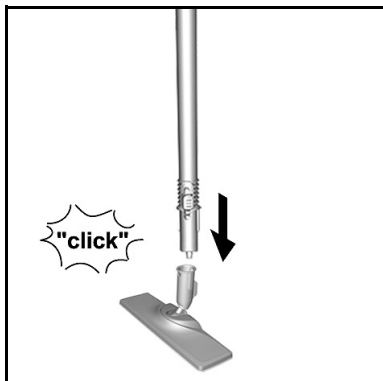
3. Colocar el extremo abierto del accesorio en la boquilla de chorro.



4. Conectar los tubos de prolongación con la pistola de vapor.
 - a Colocar el 1.º tubo de prolongación en la pistola de vapor hasta que la tecla de desbloqueo de la pistola de vapor se enclave. El tubo de conexión está conectado.
 - b Colocar el 2.º tubo de prolongación en el 1.º tubo de prolongación. Los tubos de conexión están conectados.



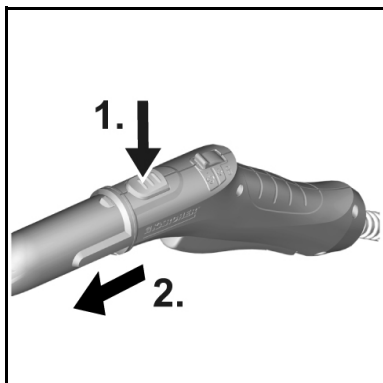
5. Colocar el accesorio y/o la boquilla para suelos en el extremo libre del tubo de prolongación.



El accesorio está conectado.

Retirar los accesorios

1. Mover el interruptor de selección hacia atrás para seleccionar el volumen de vapor. La palanca de vapor está bloqueada.
2. Presionar la tecla de desbloqueo y separar las piezas.



Manejo

Llenar de agua

El depósito de agua puede llenarse en cualquier momento.

CUIDADO

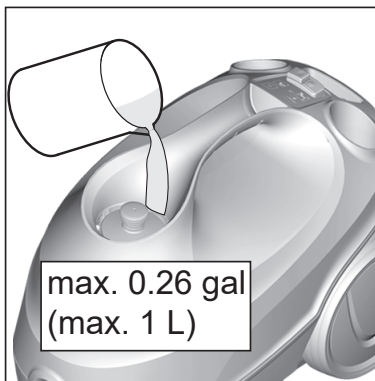
Daños en el equipo

El uso de un agua inapropiada puede provocar la obstrucción de las boquillas y daños en el indicador de nivel de agua. No llenar con agua de condensación de la secadora de ropa.

No llenar con aguas pluviales.

No llenar con detergente u otros aditivos (p. ej. perfumes).

1. Llenar el depósito de agua con 1 l de agua corriente como máximo.



Encender el equipo

CUIDADO

Daños en el equipo debido a un ajuste erróneo de la dureza del agua

El cartucho descalcificador solo funciona de manera óptima si el equipo está ajustado a la dureza del agua local. El equipo puede sufrir calcificación si la dureza del agua está ajustada erróneamente.

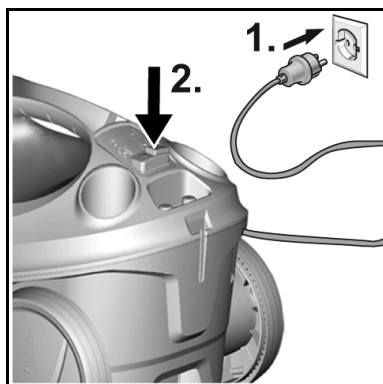
Ajustar el equipo antes del 1.º servicio a la dureza del agua local. Véase para ello el capítulo Ajuste de la dureza del agua.

Nota

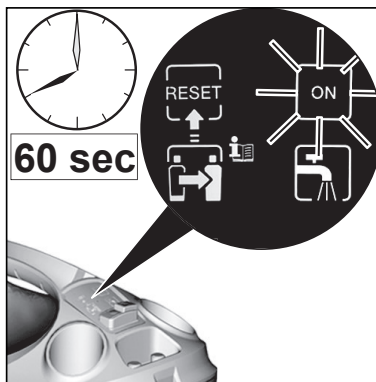
Durante la 1.^a vaporización tras la retirada y recolocación del cartucho descalcificador, el impulso de vapor puede ser débil o irregular y puede producirse la salida de algunas gotas de agua. El equipo necesita un período de adaptación mientras se llena el cartucho descalcificador de agua. El volumen de vapor saliente aumenta de forma constante hasta que, tras aprox.

60 segundos, se alcanza el volumen máximo de vapor.

1. Colocar el equipo sobre una base firme.
2. Conectar el conector de red a un enchufe.
a Presionar el interruptor de encendido.



3. Se ilumina la lámpara de control verde indicadora de calefacción. Tras unos 60 segundos, el equipo está listo para su uso.



Nota

Después de haber insertado o reemplazado el cartucho por primera vez, tarda unos 60 segundos antes de obtener una buena imagen de vapor.

Regulación del volumen de vapor

El volumen de vapor saliente se regula con el interruptor de selección de volumen de vapor. El interruptor de selección dispone de 3 posiciones:

	Volumen de vapor máximo
	Volumen de vapor reducido
	Sin vapor; seguro para niños

Nota
En esta posición no es posible accionar la palanca de vapor.

1. Mover el interruptor de selección de volumen de vapor para regular la cantidad necesaria.
2. Presionar la palanca de vapor.
3. Antes de iniciar la limpieza, dirigir la pistola de vapor hacia una toalla hasta que el vapor salga de manera uniforme.

Añadir agua

Si existe falta de agua, se ilumina la lámpara de control roja indicadora de falta de agua de manera estática. Para que la salida de vapor sea constante, debe llenarse con agua por la tapa del cartucho descalcificador. Al llenar de agua, el cartucho descalcificador insertado en el equipo permanece inmóvil.

Nota

El equipo cuenta con una protección contra marcha en seco para la bomba. Si la bomba marcha en seco mucho tiempo, p. ej., porque el cartucho descalcificador no está colocado correctamente, la bomba se desconecta y la lámpara de control indicadora de falta de agua parpadea.

Para poder volver a utilizar el equipo, es necesario apagarlo y volver a encenderlo. Al mismo tiempo debe asegurarse que el cartucho esté bien colocado y que el depósito de agua esté lo suficientemente lleno.

1. Llenar el depósito de agua mediante la tapa del cartucho descalcificador con 1 l de agua corriente como máximo.

La lámpara de control de falta de agua se apaga.

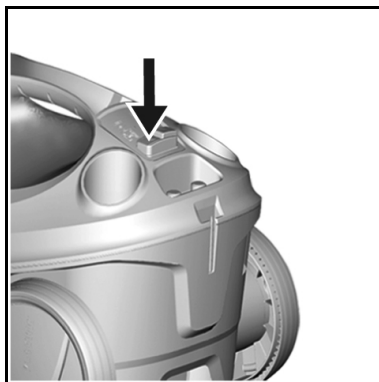
Interrupción del servicio

Para ahorrar energía, recomendamos apagar el equipo para realizar pausas de servicio de 20 minutos.

1. Presionar el interruptor de apagado.

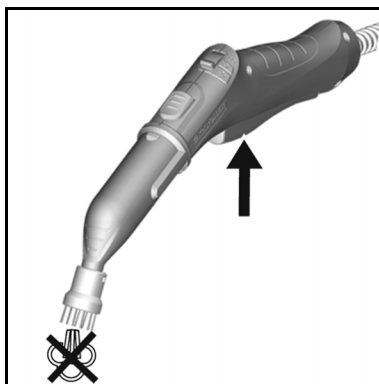
Desconexión del equipo

1. Presionar el interruptor de apagado.



El equipo está apagado.

2. Presionar la palanca de vapor hasta que deje de salir vapor.



La caldera no tiene presión.

3. Mover el seguro para niños (interruptor de selección del volumen de vapor) hacia atrás. La palanca de vapor está bloqueada.
4. Sacar el conector de red del enchufe.

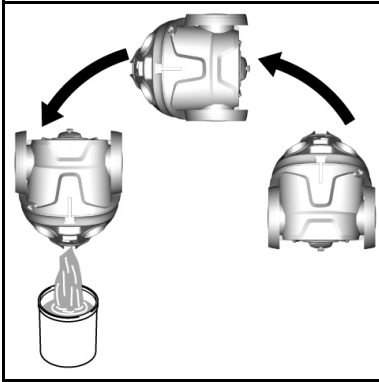
CUIDADO

Daños en el equipo por putrefacción del agua

Si el equipo no se utiliza durante más de 2 meses, el agua del depósito puede pudrirse.

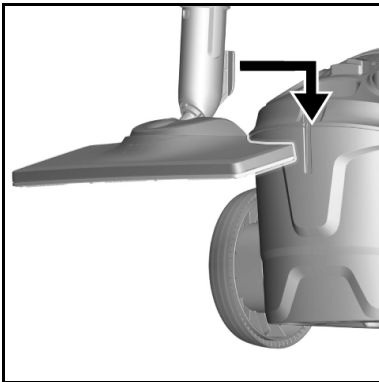
Vaciar el depósito de agua antes de las pausas de servicio.

5. Vaciar el depósito de agua.

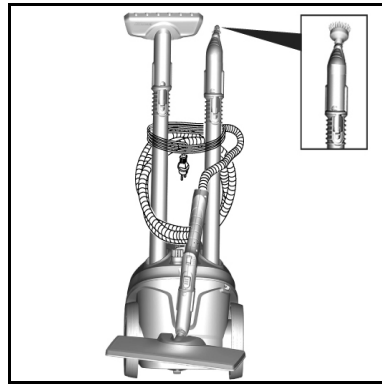


Almacenamiento del equipo

1. Sujetar los tubos de prolongación en los soportes grandes para accesorios.
2. Introducir la boquilla manual y la boquilla de chorro en 1 tubo de prolongación cada una.
3. Fijar los cepillos redondos grandes a la boquilla de chorro.
4. No conectar cepillos redondos ni boquillas en los soportes medianos para accesorios.
5. Colgar la boquilla para suelo en el soporte de apoyo.



6. Enrollar la manguera de vapor en el tubo de prolongación y conectar la pistola de vapor a la boquilla para suelo.



7. Enrollar el cable de red alrededor del tubo de prolongación.
8. Almacenar el equipo en un lugar fresco y protegido de heladas.

Información importante para el usuario

Limpiar las superficies de suelo

Recomendamos fregar o aspirar el suelo antes de utilizar el equipo. Así se eliminarán las partículas sueltas y la suciedad antes de la limpieza húmeda.

Limpeza de tejidos

Antes de tratar tejidos con el equipo, comprobar si son aptos en una zona oculta: Aplicar vapor en el tejido, dejar secar y comprobar si se dan modificaciones en el color o la forma.

Limpeza de superficies con revestimiento o barnizado

CUIDADO

Superficies dañadas

El vapor puede provocar que se desprenda la cera, el limpiamuebles, los recubrimientos de plástico o los colores y los listones de rebordes.

No dirija el vapor hacia los bordes encolados, ya que pueden desprenderse los listones.

No utilice el equipo para limpiar suelos de madera o parquet sin sellar.

No utilice el equipo para limpiar superficies recubiertas de plástico o barnizadas, como mobiliario de cocina o de sala de estar, puertas o parquet.

1. Para limpiar estas superficies, aplique vapor brevemente sobre un paño y fregue con él las superficies.

Limpieza de cristales

CUIDADO

Rotura de cristales y superficies dañadas

El vapor puede dañar las zonas selladas del marco de las ventanas y, a bajas temperaturas exteriores, puede provocar tensiones en la superficie del cristal y romperlo.

No dirija el vapor hacia las zonas selladas del marco de la puerta.

A bajas temperaturas exteriores, caliente el cristal de la ventana aplicando vapor sobre toda su superficie ligeramente.

- Limpiar la superficie de la ventana con la boquilla manual y su cubierta. Utilizar un limpiaventanas para retirar el agua o secar las superficies con un trapo.

Empleo de los accesorios

Pistola de vapor

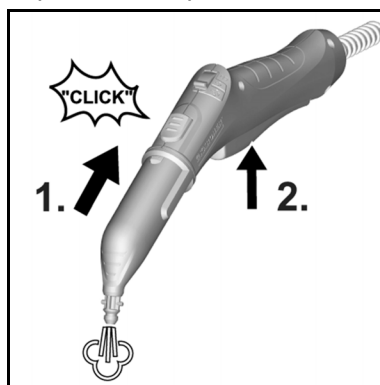
La pistola de vapor puede utilizarse sin accesorios en los siguientes campos de aplicación:

- Para eliminar arrugas leves de prendas de ropa tendidas: Aplicar vapor en la prenda desde una distancia de 10-20 cm.
- Para limpiar polvo húmedo: Aplicar vapor brevemente sobre un paño y fregar con él el mobiliario.

Boquilla de chorro

La boquilla de chorro sirve para limpiar zonas de difícil acceso, ranuras, fijaciones, desagües, lavabos, WCs, persianas o radiadores. Cuanto más cerca esté la boquilla de chorro de la zona sucia, más efectiva será la limpieza, ya que la temperatura y el volumen del vapor en la salida de la boquilla están en su máximo nivel. Las incrustaciones calcáreas resistentes pueden tratarse con un detergente adecuado antes de la limpieza a vapor. Dejar que el detergente haga efecto durante 5 minutos y, a continuación, aplicar vapor.

1. Colocar la boquilla de chorro en la pistola de vapor.



Cepillo redondo (pequeño)

El cepillo redondo pequeño sirve para limpiar la suciedad difícil de eliminar. Gracias a estos cepillos, la suciedad difícil puede eliminarse fácilmente.

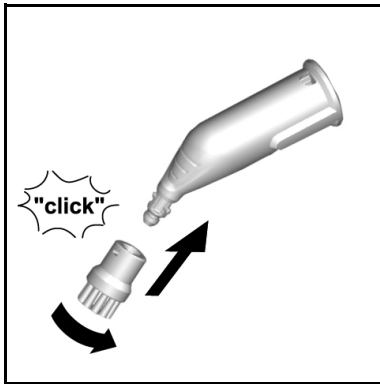
CUIDADO

Superficies dañadas

El cepillo puede dañar las superficies delicadas.

No es apto para la limpieza de superficies delicadas.

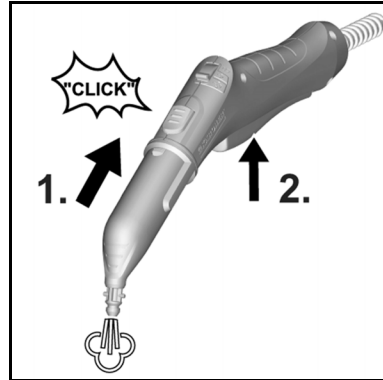
1. Montar el cepillo redondo pequeño en la boquilla de chorro.



Boquilla manual

La boquilla manual sirve para limpiar superficies pequeñas lavables, cabinas de ducha y espejos.

1. Colocar la boquilla manual en la pistola de vapor de la misma manera que la boquilla de chorro.



2. Colocar la cubierta sobre la boquilla manual.

Boquilla para suelos

La boquilla para suelos sirve para la limpieza de recubrimientos de suelo o pared lavables, como suelos de piedra, baldosas o PVC.

CUIDADO

Daños por aplicación de vapor

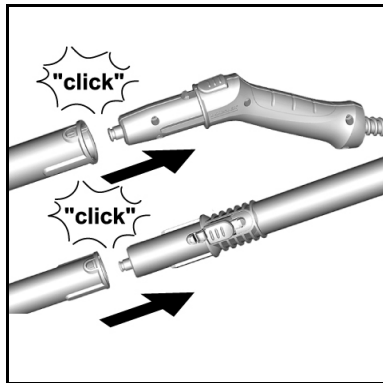
El calor y la humedad pueden causar desperfectos.

Antes de la aplicación, compruebe la resistencia al calor y las consecuencias del vapor en una zona discreta con un pequeño volumen de vapor.

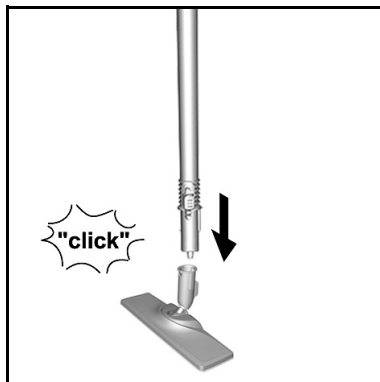
Nota

Los residuos de detergente o las emulsiones sobre superficies que van a limpiarse pueden provocar marcas durante la limpieza a vapor que desaparecen tras repetidas aplicaciones. Recomendamos fregar o aspirar el suelo antes de utilizar el equipo. Así se eliminarán las partículas sueltas y la suciedad antes de la limpieza húmeda. Trabajar despacio sobre superficies muy sucias para que el vapor pueda hacer efecto más tiempo.

1. Conectar los tubos de prolongación con la pistola de vapor.



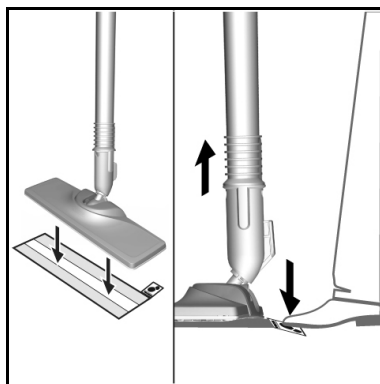
2. Colocar la boquilla para suelos en el tubo de prolongación.



3. Fijar el paño para suelos a la boquilla para suelos.

a Colocar el paño para suelos sobre el suelo con las cintas adhesivas hacia arriba.

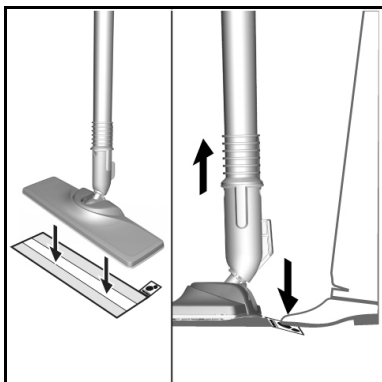
b Colocar la boquilla para suelos sobre el paño para suelos presionando ligeramente.



El paño para suelos se adhiere por sí mismo a la boquilla para suelos mediante la fijación adhesiva.

Retirar el paño para suelos

1. Colocar un pie sobre la lengüeta del paño para suelos y elevar la boquilla para suelos.

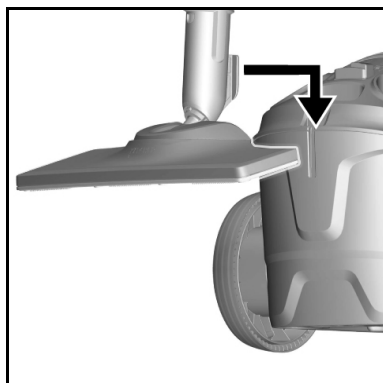


Nota

Al inicio, la cinta adhesiva del paño para suelos agarra con fuerza y puede resultar difícil retirarlo de la boquilla para suelos. Tras un uso continuado y después de lavar el paño para suelos, este se retira con facilidad de la boquilla para suelos y habrá alcanzado la adherencia ideal.

Apoyo de la boquilla para suelos

1. En caso de interrupción del trabajo, colgar la boquilla para suelo en el soporte de apoyo.



Cuidado y mantenimiento

Vaciado del depósito de agua

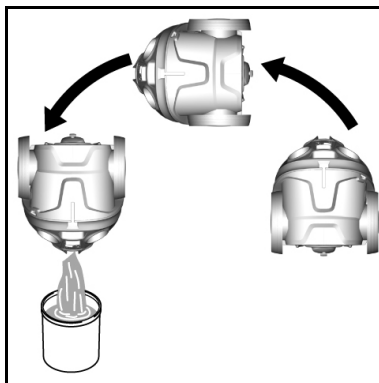
CUIDADO

Daños en el equipo por putrefacción del agua

Si el equipo no se utiliza durante más de 2 meses, el agua del depósito puede pudrirse.

Vaciar el depósito de agua antes de las pausas de servicio.

1. Presionar el interruptor de apagado. El equipo está apagado.
2. Sacar el conector de red del enchufe.
3. Extraer el accesorio de los portaaccesorios.
4. Retirar el cartucho descalcificador del equipo.
5. Vaciar el depósito de agua.



CUIDADO

Daños en el equipo y vida útil reducida

El incumplimiento de los intervalos de sustitución (indicación de la lámpara de control) del cartucho descalcificador puede provocar daños en el equipo y reducir su vida útil.

Cumplir los intervalos de sustitución (indicación de la lámpara de control).

Nota

Los intervalos de sustitución varían en función de la dureza del agua local.

Las zonas con aguas duras (p. ej. III/IV) requieren de un intervalo de sustitución más frecuente que las zonas con aguas blandas (p. ej. I/II).

Luz indicadora de control al final del tiempo de marcha

La necesidad de cambio del cartucho descalcificador se indica de la siguiente manera mediante la «lámpara de control del cartucho descalcificador»:

- 2 horas antes de transcurrir el tiempo de marcha la lámpara de control parpadea.
- 1 hora antes de transcurrir el tiempo de marcha la lámpara de control parpadea más rápidamente.
- Si se agota el tiempo de marcha del cartucho descalcificador, la lámpara de control se ilumina de forma estática y el equipo se apaga automáticamente con el fin de impedir que se produzcan daños en el equipo.

CUIDADO

Daños en el equipo

El uso continuado de un cartucho descalcificador gastado puede provocar daños en el equipo.

Proceder con cuidado para evitar confundir los cartuchos.

Nota

Durante la 1.^a vaporización tras la retirada y recolocación del cartucho descalcificador, el impulso de vapor puede ser débil o irregular y puede producirse la salida de algunas gotas de agua. El equipo necesita un período de adaptación mientras se llena el cartucho descalcificador de agua. El volumen de vapor saliente aumenta de forma constante hasta que, tras aprox.

60 segundos, se alcanza el volumen máximo de vapor.

1. Presionar el interruptor de apagado. El equipo está apagado.
2. Retirar el cartucho descalcificador.
3. Colocar un cartucho nuevo.
4. Presionar el interruptor de encendido. El equipo está encendido.
5. Mantener presionado el botón RESET durante 4 segundos. La lámpara de control «Cambio de cartucho descalcificador» se apaga y el tiempo de marcha del cartucho se reinicia.
6. Dejar que el equipo se caliente.
7. Mantener la palanca de vapor presionada unos 60 segundos para ventilar el cartucho descalcificador.

Ajuste de la dureza del agua

CUIDADO

Daños en el equipo por la calcificación

El equipo puede sufrir calcificación si el cartucho descalcificador no está colocado o si la dureza del agua está ajustada erróneamente.

Trabajar siempre con el cartucho descalcificador colocado.

Ajustar equipo a la dureza del agua local.

Antes de su uso en una zona con un agua de dureza distinta (p. ej. tras una mudanza), ajustar el equipo a la dureza del agua actual.

Nota

El organismo encargado de la gestión del agua o los servicios municipales proporcionan información sobre la dureza del agua del grifo.

La dureza del agua se ajusta con el botón RESET. El ajuste de la dureza del agua permanece guardado permanentemente a no ser este ajuste se modifica (p. ej. tras una mudanza). El equipo está ajustado de fábrica con la dureza de agua más alta posible (nivel IV). El equipo indica la dureza del agua ajustada con parpadeos.

Niveles de dureza del agua y parpadeos

Rango de resistencia	°dH	mmol/l	Cantidad de parpadeos	Intervalo de parpadeo
I blando	0-7	0-1,3	1x	4 segundos
II medio	7-14	1,3-2,5	2x	
III duro	14-21	2,5-3,8	3x	
IV muy duro	>21	>3,8	4x	

Nota

El efecto antical del cartucho descalcificador se activa en cuanto el equipo se llena de agua y se pone en funcionamiento. Los gránulos del cartucho descalcificador recogen la cal del agua. No es necesario realizar una descalcificación a mayores.

Nota

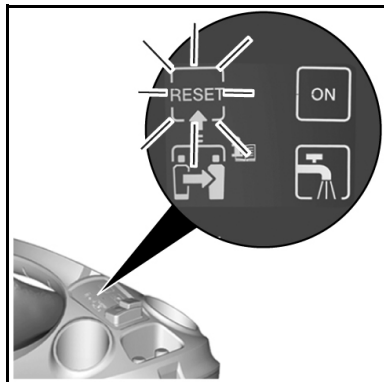
Los gránulos del cartucho pueden cambiar de color al entrar en contacto con el agua, esto está relacionado con el contenido mineral del agua. Esta decoloración es inocua y no tiene un efecto negativo en el equipo, los trabajos de limpieza ni en el funcionamiento del cartucho descalcificador.

Nota

Durante el ajuste, no hacer una pausa superior a 15 segundos, dado que de lo contrario el equipo se reajusta automáticamente a la dureza del agua anteriormente ajustada o, si esta es la primera puesta en marcha, a la mayor dureza de I agua.

1. Enchufar el conector de red.

2. Asegurarse de que el equipo está apagado.
3. Presionar el botón RESET y mantenerlo presionado durante el encendido del equipo.



Unos 2 segundos más tarde la lámpara de control parpadea y señala, por medio del número de parpadeos, el ajuste de la dureza del agua actual.

4. Volver a presionar el botón RESET para modificar el nivel de dureza.

Nota

Al presionar el botón RESET no se indica el nivel de dureza del agua mediante parpadeos.

5. Soltar el botón RESET.
Se muestra la dureza del agua ajustada por medio de parpadeos.
6. En caso necesario, repetir el proceso hasta llegar al nivel de dureza del agua que se desee.
7. Mantener presionado el botón RESET durante 3 segundos para guardar el ajuste del nivel de dureza del agua.

La lámpara de control de dureza del agua se ilumina.

Mantenimiento de los accesorios

(Accesorios: según el alcance del suministro)

Nota

El paño de microfibras no es apto para la secadora.

Nota

Para un rendimiento de limpieza óptimo, recomendamos lavar los paños a máquina una vez antes del primer uso. Para limpiar los paños, prestar atención a los avisos incluidos en las indicaciones de lavado. Para que los paños conserven la capacidad de absorción de la suciedad, no se debe usar suavizante.

1. Lavar los paños para suelos y las cubiertas a 140° F (60°C) como máximo en la lavadora.

Ayuda en caso de avería

A menudo, las causas de las averías son simples y pueden solucionarse con ayuda del siguiente resumen. En caso de duda o en el caso de averías no mencionadas aquí, póngase en contacto con el servicio de postventa.

⚠ ADVERTENCIA

Riesgo de choques eléctricos y de combustión

Si el dispositivo está conectado a la corriente eléctrica o si todavía no se ha enfriado, es peligroso tratar de resolver averías.

Desconecte el conector de red.

Deje enfriar el equipo.

La lámpara de control indicadora de falta de agua parpadea en rojo

La protección contra marcha en seco de la bomba está activada.

1. Desconectar el equipo y volver a conectarlo.
2. Asegurar que el cartucho descalcificador esté correctamente colocado

y que haya suficiente agua en el depósito.

La lámpara de control indicadora de falta de agua permanece encendida en rojo

No hay agua en el depósito de agua.

1. Para llenar de agua, ver el capítulo Añadir agua.

No se puede presionar la palanca de vapor

La palanca de vapor está asegurada con el seguro para niños.

- Mover el seguro para niños (interruptor de selección del volumen de vapor) hacia delante.
La palanca de vapor está desbloqueada.

No hay vapor/ hay poco vapor, aunque hay suficiente agua en el depósito

El cartucho descalcificador no se ha colocado o se ha colocado incorrectamente.

- Colocar un cartucho descalcificador o colocarlo bien.

El cartucho descalcificador se ha retirado durante el llenado de agua.

- Dejar el cartucho descalcificador en el equipo durante el llenado.

Se ha colocado un cartucho descalcificador nuevo.

- Mantener palanca de vapor presionada indefinidamente.
Tras unos 60 segundos, se producirá la máxima salida de vapor.

La lámpara de control roja «Cambio de cartucho descalcificador» se enciende / parpadea

El tiempo de marcha del cartucho descalcificador está a punto de terminarse.

- Colocar un cartucho descalcificador nuevo y restablecer la indicación de mantenimiento, ver el capítulo Sustitución del cartucho descalcificador.

No se ha presionado el botón RESET tras cambiar el cartucho descalcificador.

- Pulsar el botón RESET durante 4 segundos tras colocar el cartucho descalcificador, ver capítulo Sustitución del cartucho descalcificador.

El equipo se apaga de forma automática

El tiempo de marcha del cartucho descalcificador ha llegado a su fin

- Colocar un cartucho descalcificador nuevo y restablecer la indicación de mantenimiento, ver el capítulo Sustitución del cartucho descalcificador.

No se ha presionado el botón RESET tras cambiar el cartucho descalcificador.

- Pulsar el botón RESET durante 4 segundos tras colocar el cartucho descalcificador, ver capítulo Sustitución del cartucho descalcificador.

Contenu

MANUEL D'UTILISATION DU NETTOIEUR	
VAPEUR.....	44
CONSIGNES DE SECURITE IMPORTANTES	44
INSTRUCTIONS DE MISE A LA TERRE	46
Service à la clientèle.....	48
Description de l'appareil.....	49
Première mise en service.....	50
Montage.....	51
Commande.....	52
Consignes d'utilisation importantes....	56
Utilisation des accessoires.....	56
Entretien et maintenance.....	59
Dépannage en cas de pannes.....	63

MANUEL D'UTILISATION DU NETTOYEUR VAPEUR

CONSIGNES DE SECURITE IMPORTANTES

Veuillez observer les mesures de prudence fondamentales, y compris les suivantes lors de l'utilisation de l'appareil :

LIRE TOUTES LES INSTRUCTIONS AVANT L'UTILISATION DE CETTE MACHINE

L'appareil est destiné exclusivement à une utilisation privée.

AVERTISSEMENT

Risque d'électrocution, d'incendie et de brûlures

- Ne laissez jamais l'appareil branché sans surveillance. Débranchez la fiche secteur de la prise de courant lorsque vous n'utilisez pas l'appareil ou avant des travaux de maintenance.
 - Désactiver toutes les commandes avant de débrancher l'appareil.
 - Débranchez avant de connecter l'accessoire.
 - Vérifiez la conformité de la tension réseau avec celle indiquée sur la plaque signalétique pour débrancher l'appareil du
- N'utilisez que les accessoires recommandés par le fabricant
 - Utiliser et stocker l'appareil uniquement à des températures ambiantes supérieures à 32 °F (0 °C) dans des espaces intérieurs secs. Protégez l'appareil contre l'humidité.
 - Stockez l'appareil uniquement dans des locaux secs.
 - Mettez l'appareil de côté après utilisation pour éviter de trébucher.
 - Ne pas laisser l'appareil sous la pluie.
 - Faites exécuter les travaux de réparation uniquement par du personnel qualifié. Vérifiez que seules des pièces de rechange identiques soient montées.
 - Remplacez immédiatement un câble d'alimentation endommagé par une pièce d'origine.
 - En cas de détériorations du câble d'alimentation, si l'appareil est tombé, a été oublié dehors ou est tombé dans l'eau, vous devez le faire vérifier par le service après-vente avant de l'utiliser.
 - Ne touchez jamais à l'appareil, aux fiches secteur et prises de courant avec les mains mouillées.
 - Ne pas tirer ou porter l'appareil par le cordon, ne pas utiliser le cordon comme une poignée, ne pas coincer le cordon dans une porte fermée, ne pas le tirer sur des bords ou coins acérés. Ne pas rouler l'appareil sur le cordon. Tenir le cordon éloigné de surfaces chauffées.
 - Tirez uniquement sur la fiche secteur et jamais sur le câble d'alimentation électrique.

- N'utilisez pas l'appareil avec une rallonge.
- Utilisez l'appareil uniquement conformément à l'usage prévu.
- L'appareil n'est pas un jouet. Une prudence particulière est de mise lorsque vous utilisez l'appareil en présence d'enfants.
- Démarrage intempestif de l'appareil. Veillez à ce que l'appareil soit éteint avant de le lever ou de le transporter.
- Prudence lors de l'utilisation de l'appareil dans des escaliers.
- Ne branchez jamais d'objets dans les ouvertures de l'appareil. N'utilisez pas l'appareil lorsque les ouvertures sont bloquées.
- Ne jamais remplir le réservoir d'eau avec des solvants, des liquides contenant des solvants ou des acides non dilués (p. ex. détergents, essence, diluant pour peinture et acétone), car ces substances corrodent les matériaux utilisés dans l'appareil.
- Ne jamais plonger l'appareil dans l'eau ou dans d'autres liquides.
- Utiliser l'appareil seulement dans des conteneurs/bassins qui ne sont pas remplis d'eau ou d'autres liquides.
- Ne pas utiliser l'appareil avec de l'eau qui a été mélangée à des détergents, des détartrants, des composés aromatiques, de l'alcool, des produits de rinçage ou toute autre sorte de produits chimiques.
- L'appareil ne doit pas être utilisé dans des atmosphères explosibles.
- Ne pas diriger le jet de vapeur vers une autre personne, un animal ou une prise électrique.
- Ne pas nettoyer les prises électriques situées sur le sol.
- Les accessoires chauffent pendant l'utilisation-laisser refroidir avant de les manipuler.
- Laisser refroidir l'appareil et vider le réservoir avant l'entreposage.
- Entreposer l'appareil à l'intérieur dans un endroit frais et sec.
- Ne pas utiliser le nettoyeur vapeur pour traiter des vêtements à même le corps.
- Ne pas toucher les surfaces chaudes sur le nettoyeur vapeur. Il est normal que le nettoyeur vapeur chauffe lors du fonctionnement.
- Ne pas trop remplir le réservoir. Ne pas dépasser le niveau de remplissage maximal.
- Ne pas faire fonctionner l'appareil sans eau dans le réservoir. Toujours ajouter de l'eau si nécessaire.
- L'interrupteur de vapeur ne doit pas être verrouillé lors du fonctionnement.
- L'appareil doit être posé horizontalement sur le sol durant l'utilisation.
- Utiliser uniquement avec une prise reliée à la terre pour éviter toute décharge électrique. Voir Instructions de mise à la terre.

CONSERVER CES INSTRUCTIONS

Instructions de polarisation

- Afin de réduire le risque d'un choc électrique, l'appareil dispose d'une fiche secteur polarisée (une lame est plus longue que l'autre). Cette fiche secteur ne va que dans un sens dans une prise de courant polarisée. Retournez la fiche secteur si elle ne rentre pas entièrement dans la prise de courant. Si la fiche secteur ne rentre toujours pas, vous devez alors faire installer une prise de courant adaptée par un électricien qualifié. Ne modifiez en aucun cas la fiche secteur et le échangez pas.

INSTRUCTIONS DE MISE A LA TERRE

- Cet appareil doit être mis à la terre. En cas de dysfonctionnement ou de panne, la mise à la terre fournit un chemin de moindre résistance pour le courant électrique afin de réduire le risque de choc électrique.
- Cet appareil est équipé d'un câble disposant d'un connecteur de mise à la terre de l'équipement et d'une fiche de terre.
- La fiche doit être branchée dans une prise de courant adaptée installée et reliée à la terre conformément à toutes les prescriptions et ordonnances légales locales.

AVERTISSEMENT :

- Un raccordement incorrect du conducteur de terre de l'appareil peut entraîner un risque d'électrocution.
- Contacter un électricien spécialisé ou un collaborateur du service après-vente en cas de doute sur la mise à la terre correcte de la prise de courant.
- Ne pas modifier la fiche fournie avec l'appareil.
- Si la fiche ne rentre pas dans la prise de courant, faire installer une prise de courant adaptée par un électricien spécialisé.
- Cet appareil est destiné à une utilisation sur un circuit 120 V nominal, et est équipé d'une prise de terre qui ressemble à la prise illustrée dans la fig. A.
- Vérifier que l'appareil est raccordé à une prise de courant ayant la même

configuration que la fiche. Aucun adaptateur ne doit être utilisé avec cet appareil.

- **NE PAS TENTER DE REPARER LE CABLE DE BRANCHEMENT AU SECTEUR.**

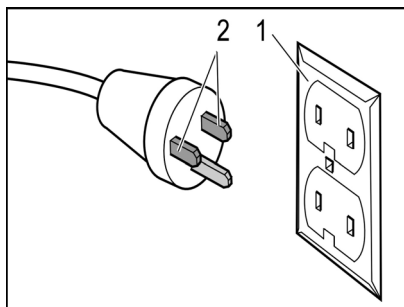
S'ASSURER, DANS TOUS LES CAS, QUE LA PRISE DE COURANT CORRESPONDANTE EST CORRECTEMENT RELIEE A LA TERRE.

NE JAMAIS RETIRER LA BROCHE DE LIAISON A LA TERRE DE LA FICHE SECTEUR.

CABLE DE RALLONGE

Si une rallonge est absolument nécessaire, il convient d'utiliser au moins une rallonge de 15 ampères calibre 14. Les rallonges calibrées à un ampérage inférieur peuvent surchauffer. Il convient de veiller à ce que la rallonge ne puisse pas être tirée ni écrasée.

Figure A



1 Socle de prise de courant

2 Languettes conduisant le courant

La languette de terre est la plus longue.

Dispositifs de sécurité

PRÉCAUTION

Dispositifs de sécurité manquants ou modifiés

Les dispositifs de sécurité servent à vous protéger.

Ne modifiez, ni ne contournez jamais les dispositifs de sécurité.

Régulateur de pression

Si une pression trop élevée devait se produire en cas de défaut, une soupape de sécurité assure son évacuation à l'air libre.

Fusible

Le fusible permet d'éviter une surchauffe de l'appareil. Le fusible coupe l'appareil du secteur en cas de surchauffe.

Avant de remettre l'appareil en service, adressez-vous au service après-vente KÄRCHER compétent avec numéro 1-800-537-4129.

Niveaux de danger

DANGER

- Indique un danger immédiat qui peut entraîner de graves blessures corporelles ou la mort.

AVERTISSEMENT

- Indique une situation potentiellement dangereuse qui peut entraîner de graves blessures corporelles ou la mort.

PRÉCAUTION




- Indique une situation potentiellement dangereuse qui peut entraîner des blessures légères.

ATTENTION

- Indique une situation potentiellement dangereuse qui peut entraîner des dommages matériels.

Symboles sur l'appareil

(Selon le type de l'appareil)

	Risque de brûlures, la surface de l'appareil devient très chaude pendant l'exploitation.
	Risque de brûlures avec la vapeur
	Lire le manuel d'utilisation
USE WATER ONLY	Remplir uniquement de l'eau sans additifs dans le réservoir d'eau

Utilisation prévue

- L'appareil est destiné uniquement à un usage ménager et non à des fins commerciales.
- L'appareil est prévu pour être utilisé avec de la vapeur et peut être utilisé avec les accessoires appropriés, comme décrit dans les présentes consignes d'utilisation. Aucun détergent n'est nécessaire. Prière de respecter les consignes de sécurité.
- Utiliser cet appareil uniquement avec des accessoires et pièces de rechange autorisés par KÄRCHER.

Remarque

Le fabricant décline toute responsabilité pour des dommages éventuels provoqués par une utilisation non-conforme ou une mauvaise commande.

Responsabilité propriétaire/utilisateur

Vous devez avoir lu et compris le mode d'emploi et les consignes de sécurité avant d'utiliser l'appareil.

Veillez à ce qu'un utilisateur qui ne parle pas couramment anglais reçoive des explications concernant le mode

d'emploi et les consignes de sécurité dans sa langue maternelle et qu'il les comprenne.

Veillez à ce que le mode d'emploi et les consignes de sécurité puissent être consultées à tout moment.

Service à la clientèle

Enregistrement

Pour obtenir une réponse à toute question ou de l'aide pour tout problème, votre appareil doit être enregistré.

Vous pouvez enregistrer votre appareil sur www.karcher-register.com s'il est situé aux États-Unis, sur www.karcher.ca s'il est situé au Canada.

Garantie

Dans le cas d'une réclamation sous garantie, vous pouvez contacter le service à la clientèle. Veuillez utiliser les coordonnées ci-dessous pour les États-Unis, ou le Canada. Vous DEVEZ fournir votre preuve d'achat pour déposer une réclamation sous garantie par courriel, téléphone ou fax.

Service client aux États-Unis

Vous pouvez contacter notre service client par téléphone au numéro **1-800-537-4129** ou via le site web à l'adresse www.karcher-help.com.

Service à la clientèle — Canada

Vous pouvez contacter notre service à la clientèle par téléphone, au **1-800-465-4980**, ou par l'intermédiaire du site web, sous www.karcher.com/ca/support.

Étendue de la livraison

L'étendue de la livraison de l'appareil est indiquée sur l'emballage. Lors du déballage, vérifiez le contenu pour s'assurer qu'il ne manque rien. Si un accessoire est manquant ou en cas de dommage pendant l'expédition, veuillez en aviser le service à la clientèle aux coordonnées susmentionnées, par téléphone ou par l'intermédiaire du site Web.

Caractéristiques techniques

Raccordement électrique

Tension	V	120
Phase	~	1
Fréquence	Hz	60
Type de protection		IPX4
Classe de protection		I

Caractéristiques de puissance de l'appareil

Puissance de chauffe	W	1450
Pression de service maximale	psi (MPa)	44,0 (0,30)
Durée de chauffage	Secondes	40
Vaporisation permanente	oz/min (g/min)	1,76 (50)
Jet de vapeur maximal	oz/min (g/min)	4,23 (120)

Volume de remplissage

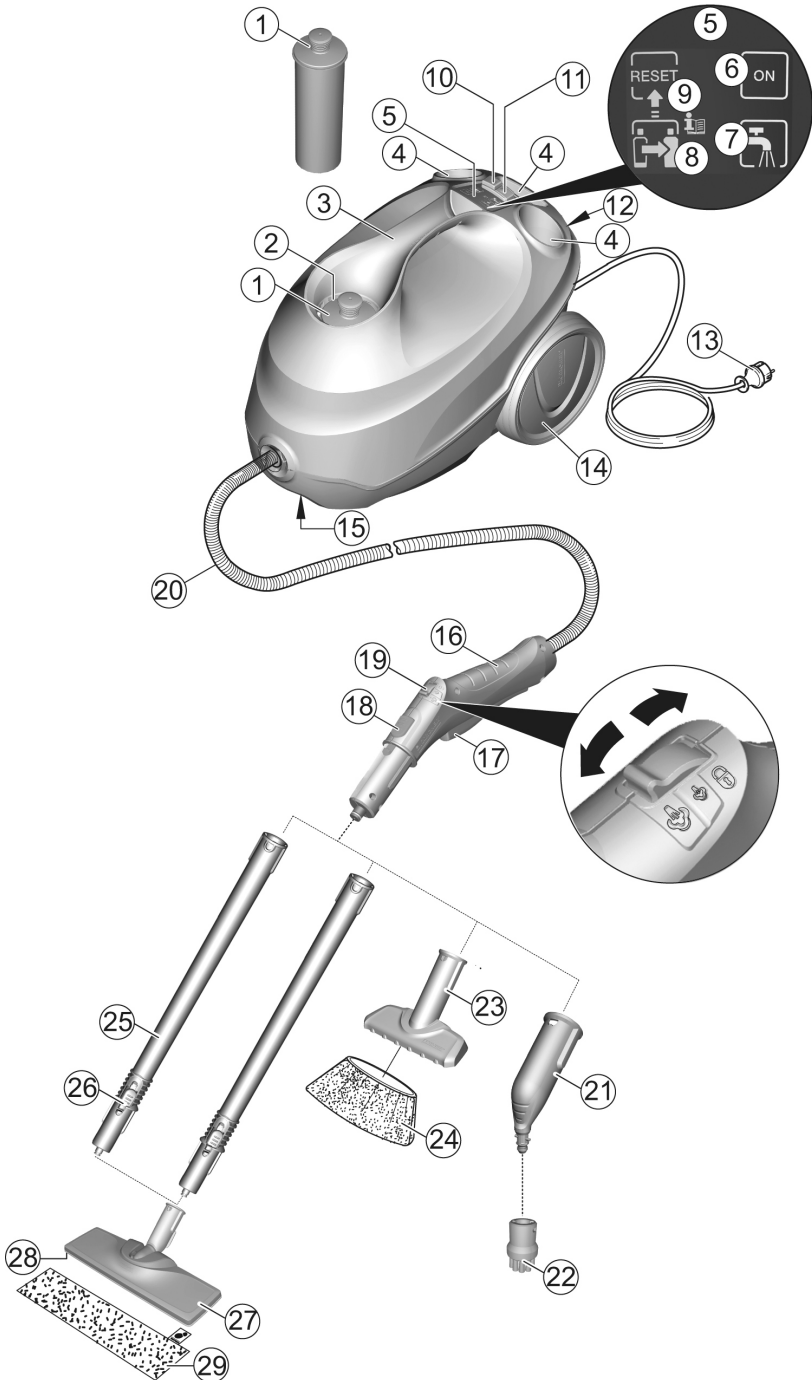
Réservoir d'eau	gal (l)	0,26 (1,0)
-----------------	---------	------------

Dimensions et poids

Poids (sans accessoires)	lbs (kg)	7,05 (3,2)
Longueur	in (mm)	14,17 (360)
Largeur	in (mm)	9,3 (236)
Hauteur	in (mm)	9,9 (253)

Sous réserve de modifications techniques.

Description de l'appareil



- ① Cartouche de détartrage
- ② Orifice de remplissage de l'eau
- ③ Poignée de transport
- ④ Support pour accessoires
- ⑤ Afficheur
- ⑥ Témoin lumineux (vert) - Tension du secteur disponible
- ⑦ Témoin lumineux (rouge) - Manque d'eau
- ⑧ Témoin lumineux (rouge) - Remplacement de la cartouche de détartrage
- ⑨ Touche RESET - Réglage de la dureté de l'eau
- ⑩ Interrupteur - Marche
- ⑪ Interrupteur - Arrêt
- ⑫ Gardiennage de parking pour buse pour sol
- ⑬ Câble d'alimentation électrique avec fiche secteur
- ⑭ Roues (2 pièces)
- ⑮ Roue directionnelle
- ⑯ Poignée vapeur
- ⑰ Manette vapeur
- ⑱ Touche de déverrouillage
- ⑲ Sélecteur du débit de vapeur (sécurité enfants)
- ⑳ Flexible vapeur
- ㉑ Buse à jet crayon
- ㉒ Brosse ronde (petite, noire)
- ㉓ Suceur à main
- ㉔ Revêtement microfibre pour suceur à main
- ㉕ Tubes de rallonge (2 pièces)
- ㉖ Touche de déverrouillage
- ㉗ Buse pour sol
- ㉘ Bande agrippante
- ㉙ Chiffon de sol microfibre (1 pièce)

Première mise en service

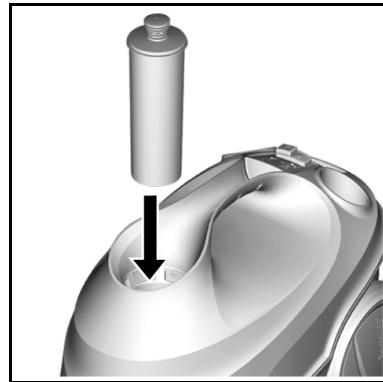
ATTENTION

Endommagement de l'appareil dû à des dépôts de tartre

La cartouche de détartrage ne fonctionne de manière optimale que si l'appareil a été adapté à la dureté de l'eau locale avant la 1^{re} mise en service. Régler l'appareil en fonction de la dureté de l'eau locale.

Lorsque l'appareil est utilisé dans une zone présentant une dureté d'eau différente (p. ex. après un déménagement), le régler sur la dureté de l'eau locale.

1. Placer la cartouche de détartrage dans l'ouverture et l'y presser fermement.

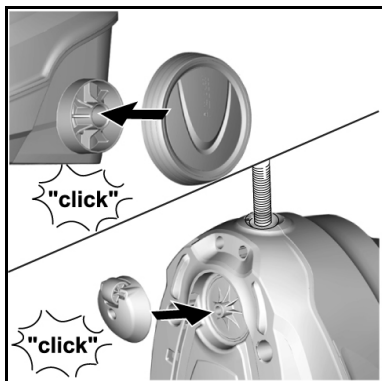


2. Régler la dureté de l'eau, voir le chapitre Réglage de la dureté de l'eau.

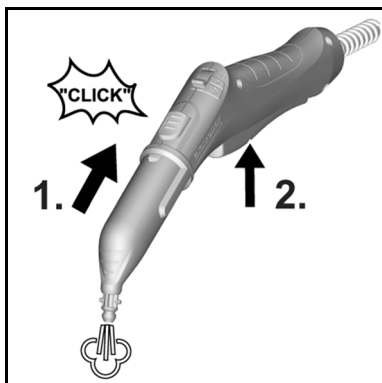
Montage

Montage des accessoires

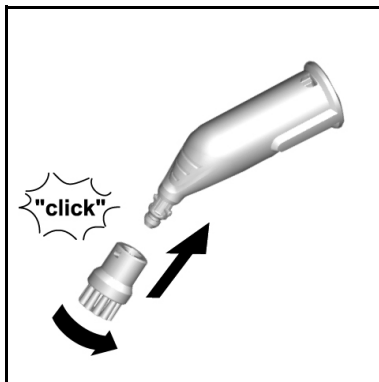
1. Mettre la roue directionnelle et les roues en place et les enclencher.



2. Faire glisser l'extrémité ouverte de l'accessoire sur la poignée vapeur jusqu'à ce que la touche de déverrouillage de la poignée vapeur s'enclenche.



3. Faire glisser l'extrémité ouverte de l'accessoire sur la buse à jet crayon.

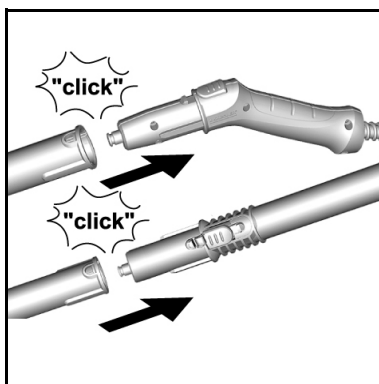


4. Relier les tubes de rallonge avec la poignée vapeur.

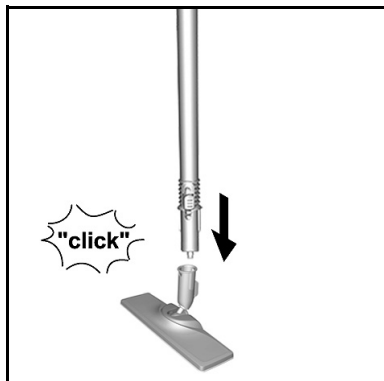
a Pousser le 1er tube de rallonge sur la poignée vapeur jusqu'à ce que la touche de déverrouillage de la poignée vapeur s'enclenche. Le tube de raccordement est raccordé.

b Pousser le 2e tube de rallonge sur le 1er tube de rallonge.

Les tubes de raccordement sont raccordés.



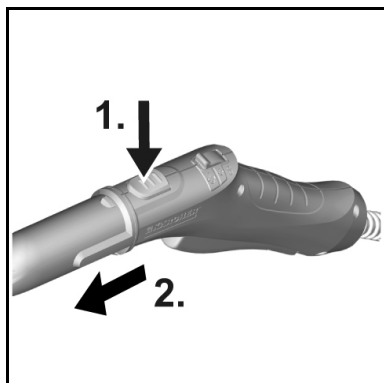
5. Faire glisser l'accessoire et/ou la buse pour sol sur l'extrémité libre du tube de rallonge.



L'accessoire est raccordé.

Démontage des accessoires

1. Pousser le sélecteur de débit de vapeur vers l'arrière.
La manette vapeur est verrouillée.
2. Appuyer sur la touche de déverrouillage et séparer les pièces.



Commande

Remplissage d'eau

Le réservoir d'eau peut être rempli à tout moment.

ATTENTION

Dommages sur l'appareil

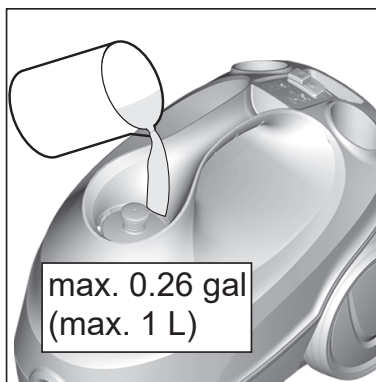
Une eau inappropriée peut boucher les buses ou endommager l'indicateur de niveau d'eau.

Ne pas remplir d'eau de condensation du sècheur à linge.

Ne pas remplir d'eau de pluie récupérée.

Ne pas remplir de détergent ou d'autres additifs (des parfums p. ex.).

1. Remplir au maximum 1 l d'eau potable.



Allumage de l'appareil

ATTENTION

Détérioration de l'appareil due à une dureté de l'eau mal réglée

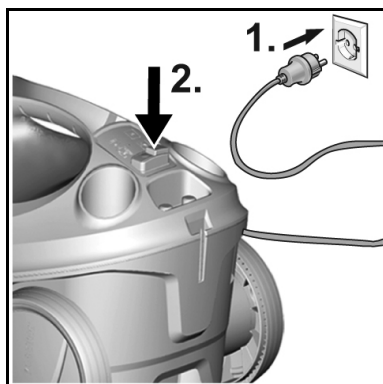
La cartouche de détartrage ne fonctionne de manière optimale que si l'appareil est adapté à la dureté de l'eau locale. L'appareil peut s'entartrer si la dureté de l'eau est mal réglée.

Adapter l'appareil à la dureté de l'eau locale avant la 1^{re} mise en service, voir le chapitre Réglage de la dureté de l'eau.

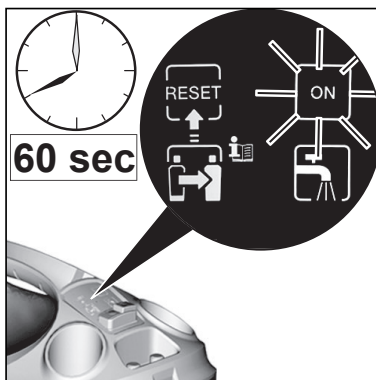
Remarque

Lors de la 1^{re} vapeur après retrait et remise en place de la cartouche de détartrage, le pic de vapeur peut être faible ou irrégulier, quelques gouttes sont susceptibles de s'écouler. L'appareil nécessite une brève durée de démarrage au cours de laquelle la cartouche de détartrage se remplit d'eau. Le débit de vapeur qui s'écoule s'accroît continuellement jusqu'à ce que le débit maximal soit atteint, après env. 60 secondes.

1. Placer l'appareil sur une base solide.
2. Brancher la fiche dans une prise de courant.
a Appuyer sur l'interrupteur « Ein » (Marche).



3. Le témoin lumineux vert du chauffage s'allume.
L'appareil est opérationnel au bout de 60 secondes.






Remarque

Après la première utilisation de la cartouche ou son remplacement, il faut environ 60 secondes pour que l'image vapeur soit bonne.

Régulation du débit de vapeur

Le sélecteur du débit de vapeur permet de réguler le débit de vapeur qui s'écoule. Le sélecteur présente 3 positions :

	Débit de vapeur maximum
	Débit de vapeur réduit
	Aucune sécurité vapeur/enfants

Remarque
Dans cette position, il n'est pas possible d'actionner la manette vapeur.

1. Régler le sélecteur de débit de vapeur sur le débit de vapeur nécessaire.
2. Actionner la manette vapeur.
3. Avant de commencer à nettoyer, diriger la poignée vapeur vers un chiffon jusqu'à ce que la vapeur s'écoule régulièrement.

Rajouter de l'eau

Le témoin lumineux Manque d'eau est allumé en permanence en cas de manque d'eau.

Pour que la puissance de vaporisation soit constante, remplir l'eau par le biais du couvercle de la cartouche de détartrage. La cartouche de détartrage reste fixée sur l'appareil lorsque de l'eau est ajoutée.

Remarque

L'appareil est équipé d'une protection contre la marche à sec de la pompe. Si la pompe marche à sec pendant une longue durée, p. ex. parce que la cartouche de détartrage n'est pas bien en place, elle s'arrête et le témoin lumineux de manque d'eau rouge clignote. L'appareil doit être mis hors et sous tension pour pouvoir être utilisé. Lors de cette opération, s'assurer que la cartouche est bien en place et qu'il y a suffisamment d'eau dans le réservoir.

1. Remplir au maximum 1 litre d'eau potable dans le réservoir d'eau via le couvercle de la cartouche de détartrage.

Le témoin lumineux de manque d'eau rouge s'éteint.

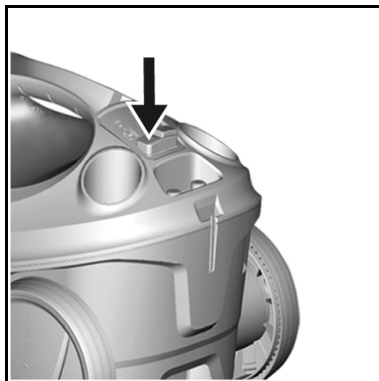
Interrompre le fonctionnement

Pour économiser de l'énergie, il est conseillé d'éteindre l'appareil lors de pauses de fonctionnement supérieures à 20 minutes.

1. Appuyer sur l'interrupteur « Aus » (Arrêt).

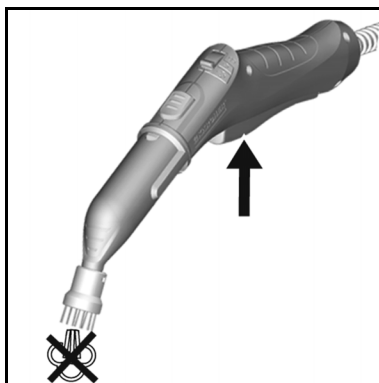
Éteindre l'appareil

1. Appuyer sur l'interrupteur « Aus » (Arrêt).



L'appareil est hors tension.

2. Appuyer sur la manette vapeur jusqu'à ce qu'il ne s'échappe plus de vapeur.



La chaudière à vapeur est hors pression.

3. Pousser la sécurité enfants (sélecteur de débit de vapeur) vers l'arrière.

La manette vapeur est verrouillée.

4. Débrancher la fiche secteur de la prise de courant.

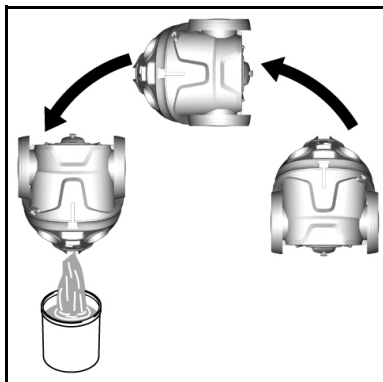
ATTENTION

Endommagement de l'appareil dû à de l'eau croupie

L'eau contenue dans le réservoir peut croupir si l'appareil n'est pas utilisé pendant plus de 2 mois.

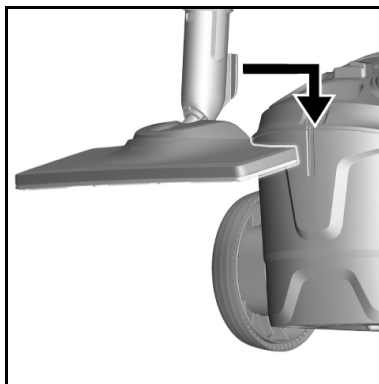
Vider le réservoir d'eau avant les pauses de fonctionnement.

5. Vider le réservoir d'eau.

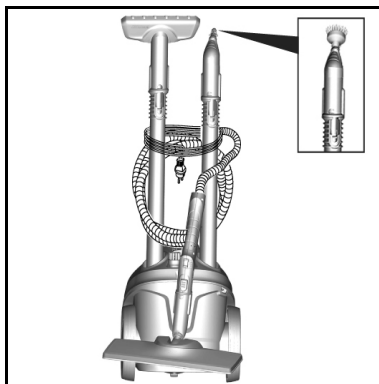


Rangement de l'appareil

1. Placer les tubes de rallonge dans les gros supports d'accessoires.
2. Enficher le suceur à main et la buse à jet crayon sur respectivement un tube de rallonge.
3. Fixer la grosse brosse ronde sur la buse à jet crayon.
4. Enficher la petite brosse ronde et les buses dans les supports centraux des accessoires.
5. Suspending la buse pour sol dans le gardiennage de parking.



6. Enrouler le flexible vapeur sur les tubes de rallonge et enficher la poignée vapeur dans la buse pour sol.



7. Enrouler le câble d'alimentation autour des tubes de rallonge.
8. Stocker l'appareil dans un endroit sec et protégé du gel.

Consignes d'utilisation importantes

Nettoyer les surfaces au sol

Nous recommandons de balayer ou d'aspirer le sol avant d'utiliser l'appareil. Ainsi, le sol est déjà libéré des sa-lissures et des particules avant le nettoyage humide.

Rafraîchissement des textiles

Avant un traitement avec l'appareil, toujours vérifier la compatibilité des textiles sur un emplacement caché : Imprégner le textile de vapeur, le laisser sécher et vérifier ensuite s'il y a modification de la couleur ou de la forme.

Nettoyage des surfaces revêtues ou peintes

ATTENTION

Surfaces endommagées

La vapeur peut décoller la cire, le lustrant pour meubles, les revêtements synthétiques ou la couleur et la baguette de lisière des bords.

Ne dirigez pas la vapeur sur les bords collés, au risque de détacher la baguette de lisière.

N'utilisez pas l'appareil pour nettoyer les sols en bois ou les parquets non vitrifiés.

N'utilisez pas l'appareil pour nettoyer les surfaces peintes ou à revêtement synthétique tel que p. ex. les meubles de cuisine ou de maison, portes ou parquets.

1. Pour nettoyer ces surfaces, imprégner légèrement de vapeur un chiffon et essuyer les surfaces.

Nettoyage du verre

ATTENTION

Bris de verre et surfaces endommagées

La vapeur peut endommager les emplacements scellés du cadre de fenêtre et entraîner, à basse température extérieure, des tensions sur la surface des vitres et par conséquent un bris de verre.

Ne dirigez pas le jet de vapeur sur les emplacements scellés du cadre de fenêtre.

À basse température extérieure, réchauffez les vitres de la fenêtre en évaporant légèrement toute la surface du verre.

- Nettoyer la surface de fenêtre avec le suceur à main et le revêtement. Pour retirer l'eau, utiliser une raclette pour vitres ou essuyer les surfaces à sec.

Utilisation des accessoires

Poignée vapeur

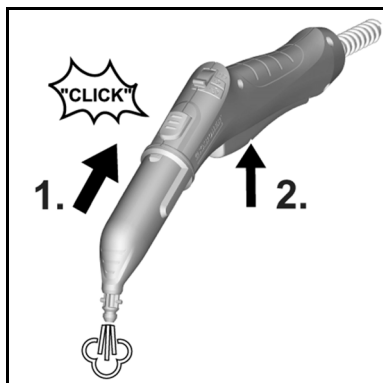
La poignée vapeur peut être utilisée sans accessoire pour les domaines d'application suivants :

- Pour enlever les plis légers sur les vêtements suspendus : vaporiser le vêtement à une distance de 10 à 20 cm.
- Pour essuyer la poussière humide : imprégner légèrement de vapeur un chiffon et le passer sur les meubles.

Buse à jet crayon

La buse à jet crayon convient pour le nettoyage des emplacements difficilement accessibles, joints, robinetterie, déversoirs, lavabos, WC, stores à lamelles ou radiateurs. Plus la buse à jet crayon est près de l'emplacement encrassé, plus grand est l'effet de nettoyage, car la température et le débit de vapeur sur la sortie de buse sont au maximum. Les dépôts calcaires tenaces peuvent être traités avec un détergent approprié avant le nettoyage vapeur. Laisser agir le détergent env. 5 minutes et vaporiser ensuite.

1. Pousser la buse à jet crayon sur la poignée vapeur.



Brosse ronde (petite)

La petite brosse ronde convient pour le nettoyage des taches tenaces. Le brossage permet d'éliminer plus facilement les taches tenaces.

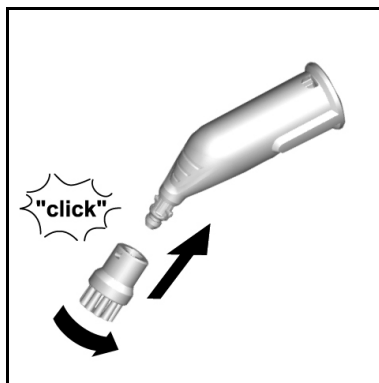
ATTENTION

Surfaces endommagées

La brosse risque de rayer les surfaces sensibles.

Non approprié pour le nettoyage des surfaces délicates.

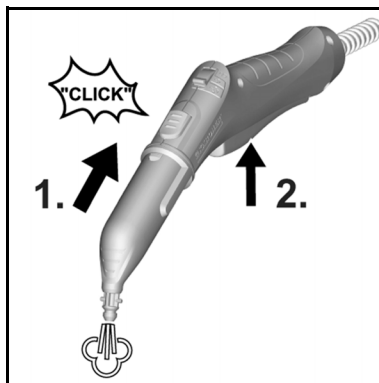
1. Monter la petite brosse ronde sur la buse à jet crayon.



Suceur à main

Le suceur à main convient pour nettoyer les petites surfaces lavables, cabines de douche et miroirs.

1. Pousser le suceur à main de la buse à jet crayon sur la poignée vapeur.



2. Enfiler le revêtement sur le suceur à main.

Buse pour sol

La buse pour sol convient pour nettoyer les revêtements de mur et de sol lavables, p. ex. les sols en pierre, carreaux et sols en PVC.

ATTENTION

Dégâts causés par l'imprégnation de vapeur

La chaleur et l'humidification peuvent causer des dégâts.

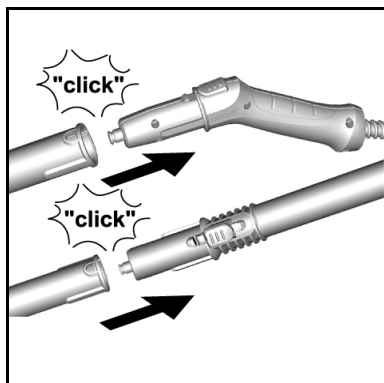
Vérifier, avant l'utilisation, la résistance à la chaleur et à l'imprégnation de vapeur à un endroit dissimulé, à l'aide du plus petit débit de vapeur.

Remarque

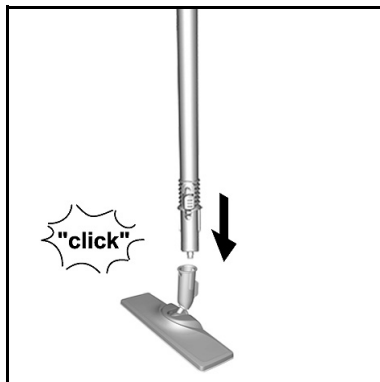
Les résidus de détergent ou les émulsions d'entretien sur la surface à nettoyer peuvent entraîner des salissures lors du nettoyage vapeur, lesquelles disparaissent néanmoins après plusieurs applications.

Nous recommandons de balayer ou d'aspirer le sol avant d'utiliser l'appareil. Ainsi, le sol est déjà libéré des salissures et des particules avant le nettoyage humide. Travailler lentement sur les surfaces encrassées pour que la valeur puisse agir plus longtemps.

1. Relier les tubes de rallonge avec la poignée vapeur.

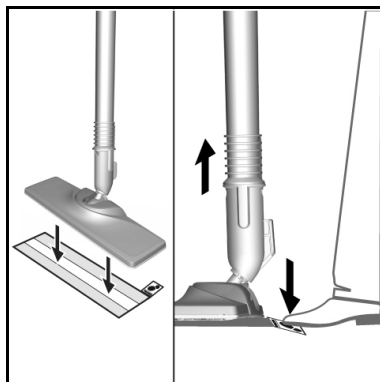


2. Pousser la buse pour sol sur le tube de rallonge.



3. Fixer la serpillière sur la buse pour sol.

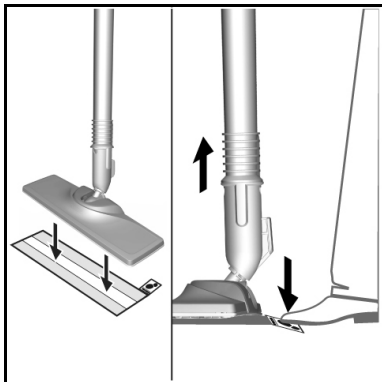
- Placer la serpillière sur le sol avec les bandes agrippantes vers le haut.
- Placer la buse pour sol sur la serpillière avec une légère pression.



La serpillière adhère d'elle-même sur la buse pour sol grâce à la fixation agrippante.

Retirer la serpillière

1. Mettre un pied sur la languette de la serpillière et lever la buse pour sol vers le haut.

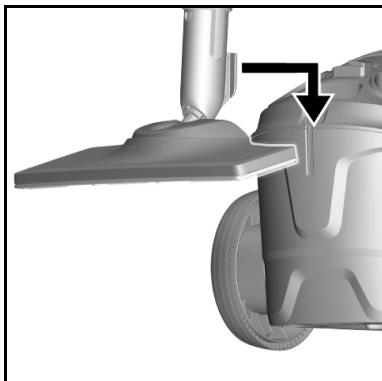


Remarque

Au début, la bande agrippante de la serpillière est très raide et il est possible qu'elle se laisse difficilement retirer de la buse pour sol. Après plusieurs utilisations et lavages de la serpillière, celle-ci se retire aisément de la buse pour sol et a atteint l'adhérence optimale.

Garer la buse pour sol

1. Lorsque le travail est interrompu, suspendre la buse pour sol dans le gardiennage de parking.



Entretien et maintenance

Vidange du réservoir d'eau

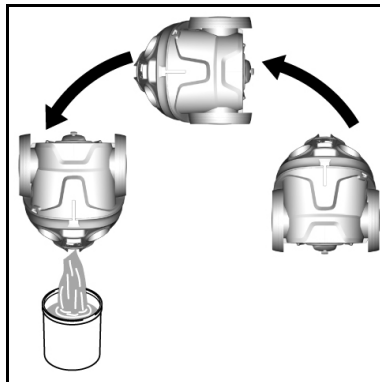
ATTENTION

Endommagement de l'appareil dû à de l'eau croupie

L'eau contenue dans le réservoir peut croupir si l'appareil n'est pas utilisé pendant plus de 2 mois.

Vider le réservoir d'eau avant les pauses de fonctionnement.

1. Appuyer sur l'interrupteur « Aus » (Arrêt).
L'appareil est hors tension.
2. Retirer la fiche de la prise du réseau.
3. Sortir l'accessoire du porte-accessoires.
4. Sortir la cartouche de détartrage de l'appareil.
5. Vider le réservoir d'eau.



Remplacement de la cartouche de détartrage

ATTENTION

Endommagement de l'appareil et durée de vie raccourcie

Le non respect des intervalles de remplacement (indicateur par témoin lumineux) de la cartouche de détartrage peut provoquer des dommages sur l'appareil et réduire sa durée de vie.

Respecter les intervalles de remplacement (indicateur par témoin lumineux).

Remarque

Les intervalles de remplacement dépendent de la dureté de l'eau locale. L'intervalle est plus fréquent dans les zones présentant une eau dure (p. ex. III/IV) que dans celles présentant une eau douce (p. ex. I/II).

Affichage par témoin lumineux à la fin de la durée de marche

La nécessité de remplacer la cartouche de détartrage est indiquée de la manière suivante via le « Témoin lumineux de la cartouche de détartrage » :

- le témoin lumineux clignote 2 heures avant la fin de la durée de marche.
- le témoin lumineux clignote plus rapidement 1 heure avant la fin de la durée de marche.
- Lorsque la durée de marche de la cartouche de détartrage est écoulée, le témoin lumineux est allumée en permanence et l'appareil s'arrête automatiquement pour éviter un endommagement.

Mise en place de la cartouche de détartrage

ATTENTION

Dommages de l'appareil

L'appareil peut être endommagé si la cartouche de détartrage usée est remise en place.

Travailler soigneusement pour éviter de confondre les cartouches.

Remarque

Lors de la 1^{re} vapeur après retrait et remise en place de la cartouche de détartrage, le pic de vapeur peut être faible ou irrégulier, quelques gouttes sont susceptibles de s'écouler. L'appareil nécessite une brève durée de dé-

marrage au cours de laquelle la cartouche de détartrage se remplit d'eau. Le débit de vapeur qui s'écoule s'accroît continuellement jusqu'à ce que le débit maximal soit atteint, après env. 60 secondes.

1. Actionner l'interrupteur « Aus » (Arrêt).

L'appareil est hors tension.

2. Retirer la cartouche de détartrage.

3. Mettre une nouvelle cartouche de détartrage en place.

4. Actionner l'interrupteur « Ein » (Marche).

L'appareil est sous tension.

5. Maintenir la touche RESET appuyée pendant 4 secondes.

Le témoin lumineux

« Remplacement cartouche de détartrage » s'éteint et la durée de marche de la cartouche de détartrage repart dès le début.

6. Laisser chauffer l'appareil.

7. Maintenir la manette vapeur appuyée pendant 60 secondes pour purger la cartouche de détartrage.

Réglage de la dureté de l'eau

ATTENTION

Endommagement de l'appareil dû à des dépôts de tartre

Sans cartouche de détartrage, l'appareil peut s'entartre si la dureté de l'eau est mal réglée.

Travailler toujours avec une cartouche de détartrage en place.

Régler l'appareil en fonction de la dureté de l'eau locale.

Lorsque l'appareil est utilisé avec une dureté d'eau différente (p. ex. après un déménagement), le régler sur la dureté de l'eau locale.

Remarque

L'administration des eaux ou les services publics municipaux donnent des renseignements sur la dureté de l'eau potable.

La dureté de l'eau est réglée via la touche RESET. Le réglage de la dureté de l'eau reste mémorisé jusqu'à ce qu'un nouveau réglage soit effectué (p. ex., après un déménagement). L'appareil est réglé en usine sur la dureté d'eau maximale (niveau IV). L'appareil indique la dureté de l'eau réglée par des impulsions clignotantes.

Niveaux de dureté de l'eau et impulsions clignotantes

Plage de dureté		°dH	mmol/l	Nombre d'impulsions clignotantes	Espace-ment des impulsions clignotantes
I	douce	0-7	0-1,3	1x	4 secondes
II	moyenne	7-14	1,3-2,5	2x	
III	dure	14-21	2,5-3,8	3x	
IV	très dure	> 21	> 3,8	4x	

Remarque

L'effet anti-calcaire de la cartouche de détartrage est activé dès que l'appareil est rempli d'eau et mis en service. Le calcaire contenu dans l'eau est absorbé par les granules de la cartouche de détartrage. Un détartrage supplémentaire n'est pas nécessaire.

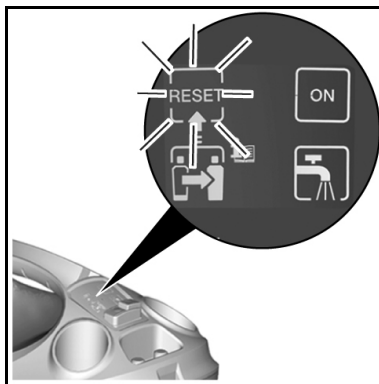
Remarque

Les granules dans la cartouche peuvent changer de couleur après contact avec l'eau, cela dépend de la teneur en minéraux dans l'eau. Cette coloration n'a aucun effet négatif sur l'appareil, sur les tâches de nettoyage ou le fonctionnement de la cartouche de détartrage.

Remarque

Pendant le réglage, ne pas faire de pause supérieure à 15 secondes, car l'appareil reprend sinon automatiquement la dernière dureté de l'eau réglée ou la plus élevée définie pour la première mise en service.

1. Brancher la fiche secteur.
2. S'assurer que l'appareil est hors tension.
3. Actionner la touche RESET et la maintenir appuyée lors de la mise sous tension de l'appareil.



Le témoin lumineux clignote au bout de 2 secondes et signale, par le nombre d'impulsions, le réglage actuel de la dureté de l'eau.

4. Actionner de nouveau la touche RESET pour modifier la dureté de l'eau.

Remarque

Lorsque la touche RESET est actionnée, l'impulsion clignotante du niveau de dureté de l'eau n'est pas indiquée.

5. Relâcher la touche RESET.
L'impulsion clignotante de la dureté de l'eau réglée est indiquée.
6. Si nécessaire, répéter l'opération jusqu'à ce que la dureté de l'eau souhaitée soit obtenue.
7. Maintenir la touche RESET appuyée pendant 3 secondes pour mémoriser le réglage de la dureté de l'eau.
Le témoin lumineux de la dureté de l'eau s'allume.

Entretien des accessoires

(accessoire - en fonction de l'étendue de livraison)

Remarque

Les chiffons microfibre ne sont pas adaptés pour le séchoir.

Remarque

Pour une efficacité de nettoyage optimale, nous recommandons de laver les chiffons une fois en machine avant leur première utilisation.

Pour laver, tenir compte des indications sur la notice de lavage. Ne pas utiliser d'adoucissant textile afin que les chiffons puissent bien absorber les salissures.

1. Laver les serpillières et revêtements à 60 ° max. en machine à laver.

Dépannage en cas de pannes

Les pannes ont souvent des causes simples qui peuvent être éliminées soi-même à l'aide de l'aperçu suivant. En cas de doute, ou en absence de mention des pannes, veuillez vous adresser au service client autorisé.

⚠ AVERTISSEMENT

Risque d'électrocution et de brûlures

Tant que l'appareil est raccordé au réseau ou qu'il n'est pas encore refroidi, le dépannage est dangereux.

Débranchez la fiche secteur.

Laissez l'appareil refroidir.

Le témoin lumineux de manque d'eau clignote en rouge.

La protection contre la marche à sec de la pompe est activée.

1. Éteindre, puis rallumer l'appareil.
2. S'assurer que la cartouche de détartrage est bien en place et que le réservoir contient suffisamment d'eau.

Le témoin lumineux de manque d'eau est allumé en permanence.

Le réservoir d'eau est vide.

1. Rajouter de l'eau dans le réservoir, voir le chapitre Rajouter de l'eau.

Impossible d'appuyer sur la manette vapeur

La manette vapeur est protégée par la sécurité enfants.

- Pousser la sécurité enfants (sélecteur de débit de vapeur) vers l'avant.

La manette vapeur est déverrouillée.

Pas/peu de vapeur malgré un remplissage suffisant du réservoir

La cartouche de détartrage n'a pas été correctement mise en place ou ne l'est pas.

- Mettre la cartouche de détartrage en place ou correctement.

La cartouche de détartrage a été enlevée en cours de remplissage de l'eau.

- Laisser la cartouche de détartrage dans l'appareil pendant le remplissage de l'eau.

Une nouvelle cartouche de détartrage a été mise en place.

- Maintenir la manette vapeur appuyée en permanence. La puissance de vaporisation maximale est obtenue au bout de 60 secondes.

Le témoin lumineux rouge

« Remplacement de la cartouche de détartrage » s'allume/clignote

La durée de marche de la cartouche de détartrage arrive à terme.

- Mettre une nouvelle cartouche de détartrage en place et réinitialiser l'indicateur de maintenance, voir le chapitre Remplacement de la cartouche de détartrage.

La touche RESET n'a pas été actionnée après le remplacement de la cartouche de détartrage.

- Actionner la touche RESET pendant 4 secondes après la mise en place de la cartouche de détartrage, voir le chapitre Remplacement de la cartouche de détartrage.

L'appareil s'arrête tout seul

La durée de marche de la cartouche de détartrage est arrivée à terme.

- Mettre une nouvelle cartouche de détartrage en place et réinitialiser l'indicateur de maintenance, voir le chapitre Remplacement de la cartouche de détartrage.

La touche RESET n'a pas été actionnée après le remplacement de la cartouche de détartrage.

- Actionner la touche RESET pendant 4 secondes après la mise en place de la cartouche de détartrage, voir le chapitre Remplacement de la cartouche de détartrage.



THANK YOU!

MERCI! ¡GRACIAS!



Register your product and benefit from many advantages.

Enregistrer votre produit et bénéficier de nombreux avantages.

Registre su producto y aproveche de muchas ventajas.

www.kaercher.com/welcome



Rate your product and tell us your opinion.

Évaluer votre produit et donner votre opinion.

Reseñe su producto y díganos su opinión.

Kärcher North America Inc.,
6398 N. Kärcher Way
Aurora, CO 80019
Tel: 1-800-537-4129

Kärcher Canada Inc.,
275 Pendant Drive, Mississauga,
Ontario L5T 2S9
Tel: +1-800-465-4980

Kärcher México S.A. de C.V.,
Circuito Poetas 68.
Col Ciudad Satélite, Naucalpan de Juárez,
Estado de México C.P. 53100, México
Tel: +52-55-2629-4900

www.kaercher.com/service

