

FC 5 Cordless

OPERATOR MANUAL

Floor Cleaner 2

MANUAL DE USUARIO

Limpiador de piso 24

MANUEL D'UTILISATION

Nettoyant pour sols. 48



FLOOR CLEANER OPERATOR MANUAL

FLOOR CLEANER OPERATOR MANUAL	2
IMPORTANT SAFETY INSTRUCTIONS	3
READ ALL INSTRUCTIONS BEFORE USING THIS APPLIANCE	3
SAVE THESE INSTRUCTIONS	5
MODEL OVERVIEW	8
ASSEMBLY INSTRUCTIONS	9
OPERATING INSTRUCTIONS	10
CARE AND MAINTENANCE INSTRUCTIONS	18
TROUBLESHOOTING.	21
DISPOSAL INFORMATION. .	23

IMPORTANT SAFETY INSTRUCTIONS

When using this device basic precautions should always be followed, including the following:

READ ALL INSTRUCTIONS BEFORE USING THIS APPLIANCE

For household use only!

⚠ **WARNING**

To reduce the risk of fire, electric shock, or injury:

- Unplug from outlet when not in use and before servicing.

⚠ **WARNING**

To reduce the risk of electric shock:

- Do not allow to be used as a toy. Close attention is necessary when used by or near children.
- Do not expose to rain. Store indoors.
- Use only as described in this manual. Use only manufacturer's recommended attachments.
- Do not use with damaged battery charger output cord or plug. If appliance is not working as it should, has been dropped, damaged, left outdoors, or dropped into water, please contact our Customer Care Group by calling 1-800-537-4129. Select the prompts for warranty services.
- Do not pull or carry by the battery charger output cord, do not use battery charger output cord as a han-

dle, do not close a door on the battery charger output cord, or pull battery charger output cord around sharp edges or corners. Do not run appliance over battery charger output cord. Keep battery charger output cord away from heated surfaces.

- Repairs must only be performed by an authorized service agent in accordance with national and local safety regulations. Unauthorized repairs could cause injury or machine damage.
- The voltage indicated on the type plate must correspond to the supply voltage.
- Do not modify or attempt to repair the appliance or the battery pack (as applicable) except as indicated in the instructions for use and care.
- Do not unplug by pulling battery charger output cord. To unplug, grasp plug.
- Do not handle battery charger or appliance with wet hands.
- Use extra care when cleaning on stairs.
- Never fill solvents, solvent-containing liquids or undiluted acids (e.g. not approved by KÄRCHER detergents, petrol, paint thinner, and acetone) into the water reservoir as these substances corrode the materials used in the device.
- Do not put any objects into openings. Do not use with any opening blocked.
- Do not charge the unit outdoors.
- Use only the charger supplied by the manufacturers to recharge.

- Do not incinerate the appliance even if it severely damaged. The batteries can explode in fire.
- **Short circuit hazard!** Do not insert conductive objects (such as screwdrivers or similar) into the charger plug.
- You may recharge the battery using only the original charger provided with the appliance or a charger approved by KÄRCHER.
- In case of visual damage, replace the charger with original manufacturer suggested parts.
- Under abusive conditions, liquid may be ejected from the battery; avoid contact. If contact accidentally occurs, flush with water. If liquid contacts eyes, additionally seek medical help. Liquid ejected from the battery may cause irritation or burns.
- Do not use a battery pack or appliance that is damaged or modified. Damaged or modified batteries may exhibit unpredictable behavior resulting in fire, explosion or risk of injury.
- Recharge only with the charger specified by the manufacturer. A charger that is suitable for one type of battery pack may create a risk of fire when used with another battery pack.
- Follow all charging instructions and do not charge the battery pack or appliance outside of the temperature range specified in the instructions. Charging improperly or at temperatures outside of the specified range may damage the battery and increase the risk of fire.
- Store and use the charger in dry rooms only.
- Do not expose a battery pack or appliance to fire or excessive temperatures. Exposure to fire or temperatures above 265°F (130°C) may cause explosion.
- Store and use the charger in dry rooms only, ambient temperature 41 - 104°F (5 - 40°C)
- Store and operate the appliance at temperatures from 32 - 104°F (0 - 40 °C).
- The battery has been tested as per the relevant directives for international transport and can be transported/shipped.
- Never immerse the device in water or other liquids.
- Never use the device in pools containing water.
- Do not service the device when it is plugged in.
- Do not clean over floor electrical outlets.
- Create stability for the device prior to any work on or with the device to prevent accidents or damage.
- Keep hair, loose clothing, fingers and all parts of body away from openings and moving parts.
- Keep your hands protected while cleaning the suction head- risk of injury from sharp objects (e.g. splinters).
- The device may not be operated in explosive atmospheres.
- The air vents on the device must not be blocked up.
- Do not add acetic acids, descaling agents, essential oils or similar substances to the fresh water tank. Also ensure that the substances are not drawn in.
- Only use this device on sealed hard floors (e. g. varnished parquet, enamelled tiles, Linoleum).

- Store the device indoors in a cool, dry place.
- Only carry the device by the carrying handle.
- The device must not be used for the intake of sharp or large objects (e.g. shards, pebbles, toy parts).
- Do not use the device for cleaning of carpets or carpeted floors.
- Do not use the device over the floor vents of convector heaters. The device is not able to take in the water discharged when used above vents.
- Do not overfill the tank. Do not exceed the maximum filling level.
- Only switch on the device when the fresh water tank and waste water tank are fitted.
- Do not let the device operate in the same spot too long, as this may damage the floor.

PROP 65 WARNING



This product may contain one or more chemicals known to the state of California to cause cancer and birth defects or other reproductive harm.

Wash hands after handling.

SAVE THESE INSTRUCTIONS

Safety Alert Symbols

⚠ **DANGER**

Pointer to immediate danger, which leads to severe injuries or death.

⚠ **WARNING**

Pointer to a possibly dangerous situation, which can lead to severe injuries or death.

⚠ **CAUTION**

Pointer to a possibly dangerous situation, which can lead to minor injuries.

ATTENTION

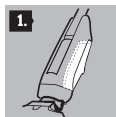
Pointer to a possibly dangerous situation, which can lead to property damage.

Symbols on the machine

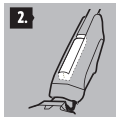
ATTENTION

Do not exceed MAX fill line on the waste water tank to avoid overflowing.

⚠ **ATTENTION!** Please observe the following procedure:



1. Ensure waste water tank is empty.



2. Fill fresh water tank not exceeding MAX level to avoid overflowing.



Proper use

- This device is designed for cleaning sealed hard floors only in household applications.
- Do not clean unsealed floors such as untreated cork floors (the moisture could penetrate and damage the floor).
- The device is suitable for cleaning PVC, linoleum, tiled, stone, oiled and waxed parquet, laminate and all sealed floor coverings.

Any use extending beyond what is listed above is not considered as proper use. The manufacturer is not liable for any losses resulting from improper use.

Owner/User Responsibility

The owner and/or user must have an understanding of the manufacturer's operating instructions and warnings before using this appliance.

Warning information should be emphasized and understood.

If the operator is not fluent in English, the manufacturer's instructions and warnings shall be read to and discussed with the operator in the operator's native language by the purchaser/owner, making sure that the operator comprehends its contents.

Owner and/or user must study and maintain for future reference the manufacturer's instructions.

Customer Service

Registration

Your device must be registered in order to help with any questions or issues that you have. You can register your device at www.karcher-register.com if located in the U.S.A., www.karcher.ca if located in Canada, or www.karcher.com/mx if located in Mexico.

Warranty

In the case of a warranty claim, you can contact customer support. Please see the contact information listed below for either the USA, Canada, or Mexico. You MUST provide your proof of purchase in order to file a warranty claim either via email, phone, or fax.

USA Customer Service

You can contact our Customer Service department by phone at **1-800-537-4129** or via the website at www.karcher-help.com.

Mexico Customer Service

You can contact our Customer Service department by phone at **01-800-024-13-13** or via the website at www.karcher.com/mx.

Canada Customer Service

You can contact our Customer Service department by phone at **1-800-465-4980** or via the website at www.karcher.com/ca.

Scope of delivery

The scope of delivery for the appliance is shown on the packaging. During unpacking, check the contents for completeness. If any accessories are missing or in the event of any shipping damage, please notify our Customer Service department as stated above either by phone or via the website.

Specifications

Electrical connection

Nominal battery voltage 25,2 V

Protection class IPX4

Device III

Protective class

Charger protection class II

Rated power of appliance 165 W

Battery type Li-Ion

Operating time with full charge approx. 20 min

Charging time for empty battery 4 h

Charger initial voltage: 30 V

Output current, charger 0,6 A

Performance data

Roller revolutions per minute 500 rpm

Filling quantity

Fresh water tank 13.5 oz
(0.4 l)

Cleaning station 6.7 oz
(0.2 l)

Dimensions

Weight (without accessories and cleaning fluids) 9.7 lbs
(4.4 kg)

Length 12.60 in
(320 mm)

Width 10.63 in
(270 mm)

Height 48.03 in
(1220 mm)

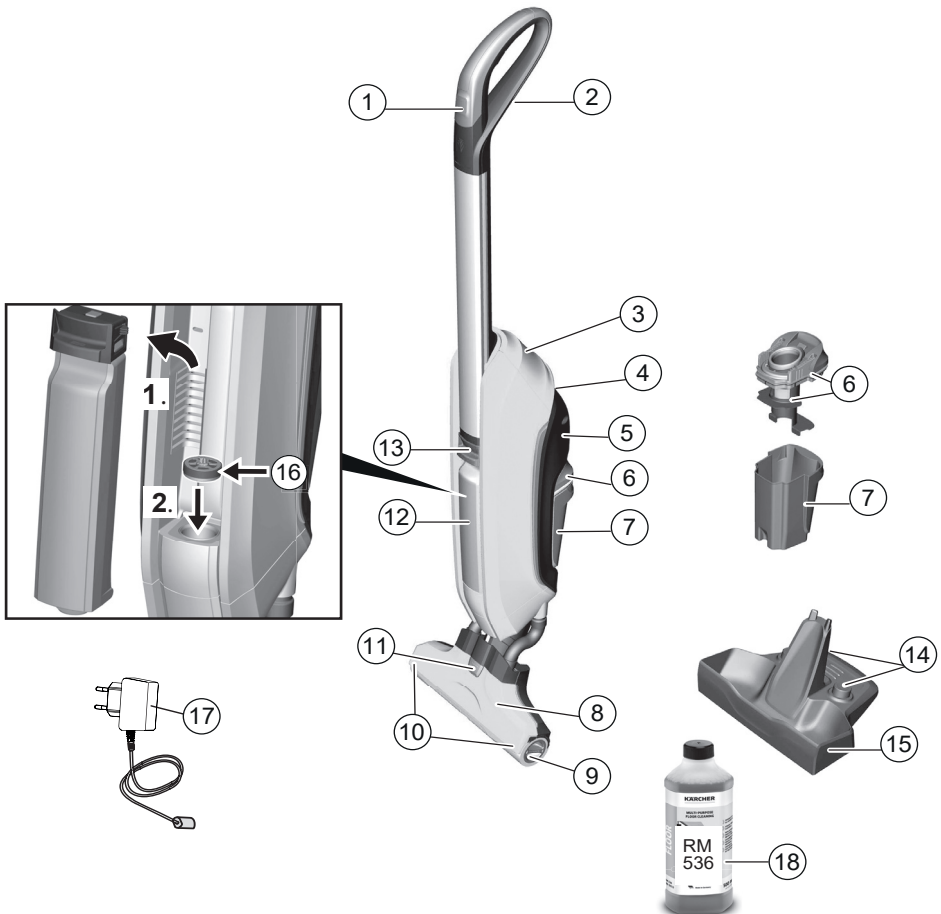
Cable length 59.06 in
(1500 mm)

Part No. 1.055-606.0

Subject to technical modifications!

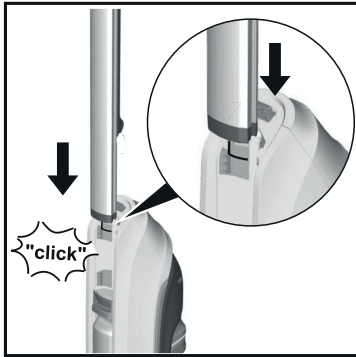
MODEL OVERVIEW

- | | |
|----------------------------------|--------------------------------|
| 1 ON/OFF button | 11 Lock suction head |
| 2 Handle | 12 Fresh water tank |
| 3 Battery indicator | 13 Handle fresh water tank |
| 4 Carrying handle | 14 Roller storage |
| 5 Charging socket | 15 Storage station |
| 6 Waste water tank/separator lid | 16 Filter inlay |
| 7 Waste water tank | 17 Charger with charging cable |
| 8 Suction head cover | 18 Detergent RM 536 500 ml |
| 9 Recessed grip cleaning roller | |
| 10 Cleaning rollers | |



ASSEMBLY INSTRUCTIONS

- Insert handle into the basic unit as far as it goes until you hear it click.



OPERATING INSTRUCTIONS

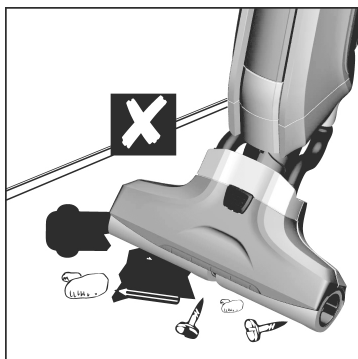
General operating information

ATTENTION

This device must only be used for the intake of dirt and fluids (max. 8.5 oz / 0,25 L).



- Before cleaning, remove larger objects from the floor that could damage the device.



- Before use, check the floor for water consistency at suspect areas. Do not clean unsealed floors, such as untreated cork floors where moisture can penetrate and damage floor.
- ➔ Hold device at approximately 60-degree angle.

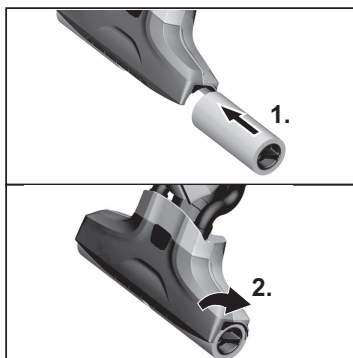
- ➔ Clean floor by moving device back and forth similar to vacuum cleaning until floor is clean.

Notes

- To avoid striped patterns, test the device on an inconspicuous area before using on sensitive surfaces, e.g. wood or fine stone.
- Don't stay in one place, keep moving.
- Follow the instructions of the floor covering manufacturer.

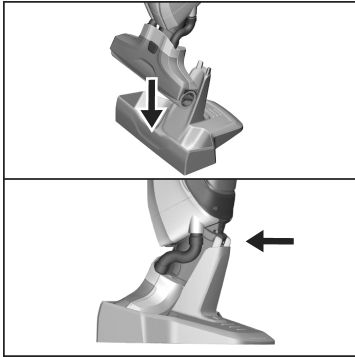
Installing the rollers

- ➔ Screw the cleaning rollers onto the threaded rod up to the mechanical stop.
- ➔ Pay attention to the colour-codes on the inside of the roller and roller holder on the device (e.g. blue should match up with blue).
- ➔ After the installation, check to ensure that the cleaning rollers sit snugly.

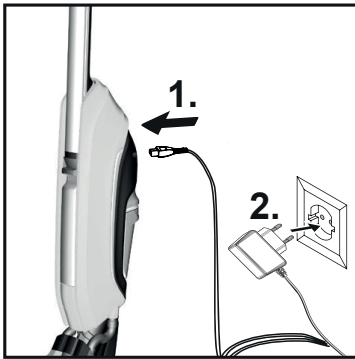


Charging process

- Store device in storage station when not in use.

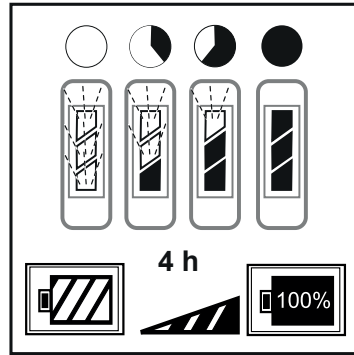


- Plug the charging cable of the charger into the charging socket on the device.
- Plug the mains plug of the charger into a power outlet.

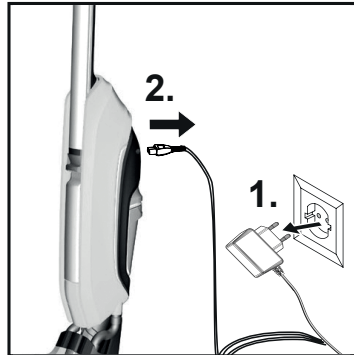


- The LED indicator lights display the battery's current charging state.
- All 3 LED indicator lights flash from bottom to top when charging a completely empty battery.
- The lowermost LED lights up continuously when the battery is 1/3 charged, the two upper LEDs continue to flash.
- When the battery is 2/3 charged, the two lower LEDs light up continuously, the uppermost LED continues to flash.

- After the battery has been fully charged, the 3 LED indicator lights will continue to light constantly for 60 minutes. After this time, the LED indicator lights go out.



- Once the battery is charged, pull the mains plug out of the socket and the charging cable out of the charging socket.

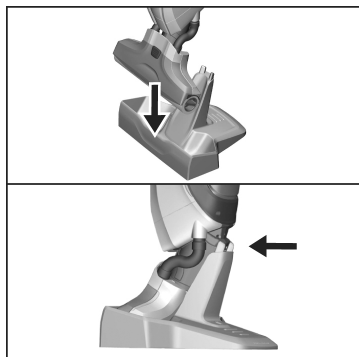


Fill fresh water tank

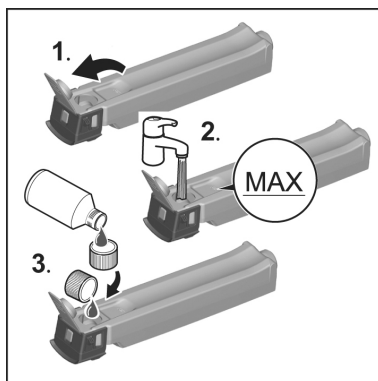
ATTENTION

Store device in storage station when not in use. A lack of stability can cause device to tip over leaking fluid and causing floor damage.

→ Store device in storage station when not in use.



→ Remove fresh water tank.



→ Insert fresh water tank until you hear a click.



ATTENTION

*Follow recommended dosage instructions on the detergent.

- 1 Open fresh water tank lock.
- 2 Fill fresh water tank with cold or lukewarm tap water.
Do not exceed "MAX" fill line.
- 3 KÄRCHER detergents can be added to fresh water tank as required.*
See chapter Using detergents.

→ Close tank lock.

Operating device

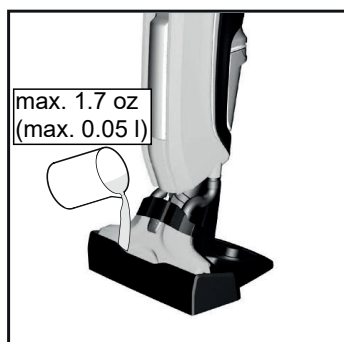
CAUTION

Cleaning rollers will start to rotate when device is powered on. Hold the handle tight to prevent the device from moving forward by itself.

ATTENTION

The device should only be operated with water. Before operating, ensure fresh water tank is full and waste water tank is empty.

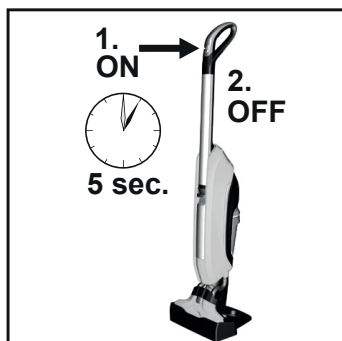
→ To quickly wet rollers, use measuring cup to fill the storage station with 1.7 oz (0,05 l) of fresh water.



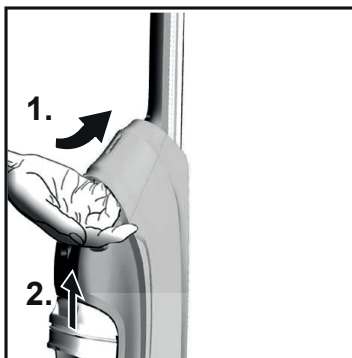
→ Press On/Off button to power ON device and place in storage station for 5 seconds.

The device now has correct level of moisture to allow for cleaning.

→ Press On/Off button to power OFF device.



→ Remove the device from storage station and place on floor.

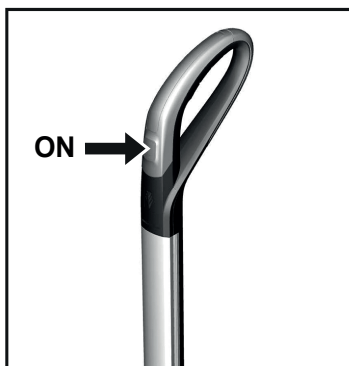


→ Firmly hold device using handle.

→ Press On/Off button to power ON device.

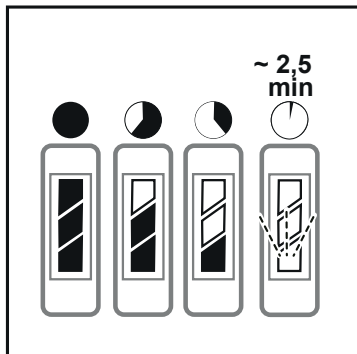
Note

- Press the ON switch briefly.
- After about 1-2 seconds, the rollers begin to rotate and the device is ready for use.



Battery service life

- 3 LEDs illuminated - 3/3 battery run time (full run time).
- 2 LEDs illuminated - 2/3 battery run time.
- 1 LEDs illuminated - 1/3 battery run time.



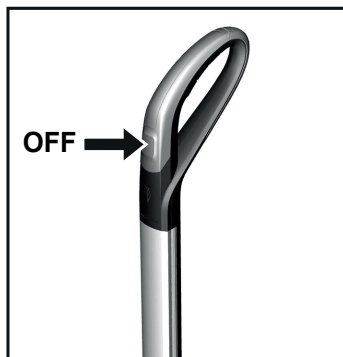
- The rollers signal 5 minutes before the run time ends by changing rotation direction.
- The lowermost LED starts to flash approx. 2.5 minutes before the battery has to be charged.
- The device shuts off automatically 1.5 minutes before the run time ends.
- The remaining 1.5 minutes can be used for cleaning the device in the station by switching it back on again.
See "Cleaning the appliance by rinsing".
- The lowermost LED flashes for another 10 seconds when the battery is empty and the device has switched off.

When Not Operating

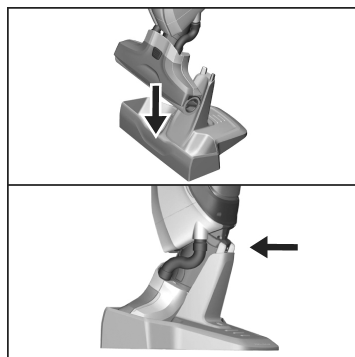
ATTENTION

Store device in storage station when not in use. A lack of stability can cause device to tip over leaking fluid and causing floor damage.

- ➔ Press On/Off button to power OFF device.



- ➔ Place device into storage station.



Refill detergent

ATTENTION

Before filling the fresh water tank, empty waste water tank to avoid overflowing.

See Chapter "Emptying the waste water tank".

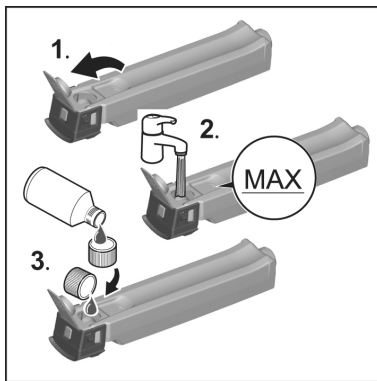
→ Remove fresh water tank.



- Close tank lock.
- Insert fresh water tank until you hear a click.



- 1 Remove tank cap.
- 2 Fill the fresh water tank with cold or lukewarm tap water.
Do not exceed "MAX" fill line.
- 3 KÄRCHER detergents can be added to fresh water tank as required.*
See chapter Using detergents.

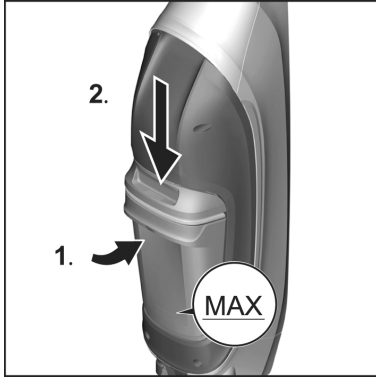


Emptying waste Water tank

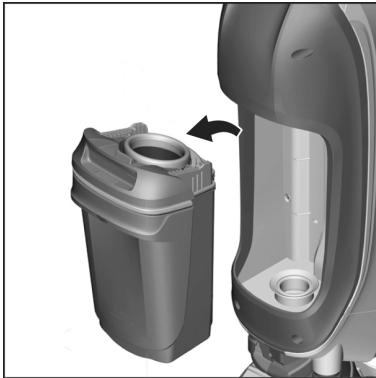
ATTENTION

After cleaning is finished, clean device in rinse cycle. See "Cleaning device"

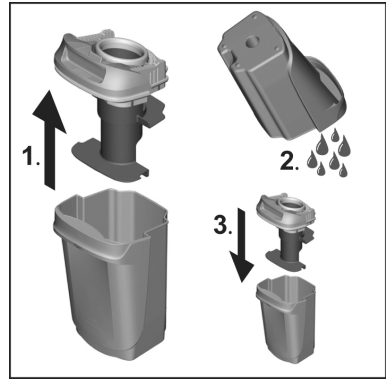
→ To remove waste water tank, squeeze upper lid while pulling out.



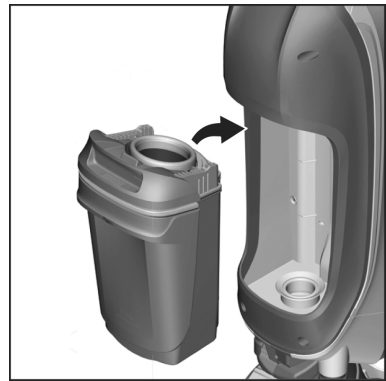
→ Remove waste water tank.



- 1 Remove lid from waste water tank.
- 2 Empty waste water tank and rinse with tap water.
- 3 To secure lid, place on waste water tank and press until it clicks.



→ Insert waste water tank into device until it clicks.

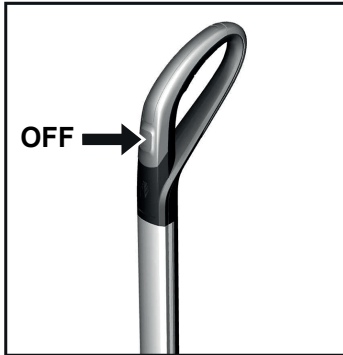


Press On/Off button to power OFF

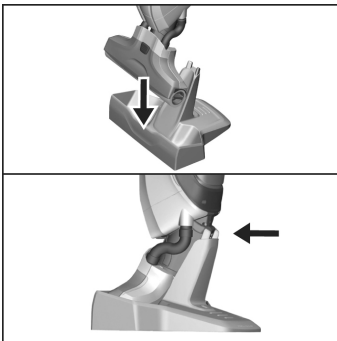
ATTENTION

After completing the work, clean the appliance by applying a rinse cycle. See "Cleaning the appliance by rinsing".

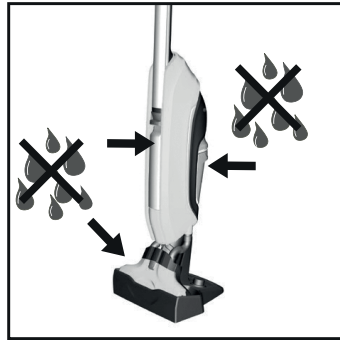
→ Press On/Off button to power OFF device.



→ Place device into storage station.



→ Empty both fresh and waste water tanks.



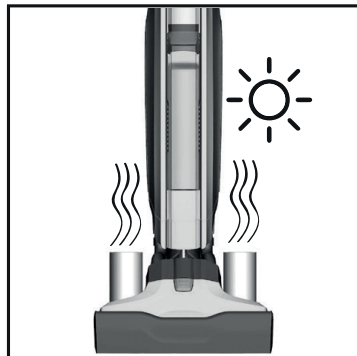
→ Empty waste water tank.
See Chapter "Emptying waste water tank".

Storing the Device

ATTENTION

To prevent odors empty and rinse the fresh water and waste water tanks before storing.

- Move device using the handle and store in the storage station.
- Place the wet rollers on the parking station to dry.



→ Store the device indoors in a cool, dry place.

CARE AND MAINTENANCE INSTRUCTIONS

Cleaning device

ATTENTION

Rinse the device with fresh water in the storage station when finished using.

- Press On/Off button to power OFF device.
 - Place device into storage station.
 - Empty any remaining liquid in fresh water tank.
- 1 Empty the waste water tank.
See Chapter "Emptying the waste water tank".
 - 2 Re-insert waste water tank.
 - 3 Fill the measuring cup with 6.7 oz (0,2 l) water.
Fill storage station with water.
If necessary, add appropriate KÄRCHER detergents
 - 4 Press On/Off button to power ON device.
 - 5 Allow device to run for 30-60 seconds until water is completely drawn out of storage station.
The rinsing procedure is now complete.
 - 6 Press On/Off button to power OFF device.



Note

Continue running the device to reduce the amount of moisture left in rollers.

- Empty fresh and waste water tanks.
See Chapters "Emptying fresh water tank" or "Emptying waste water tank."

Cleaning rollers

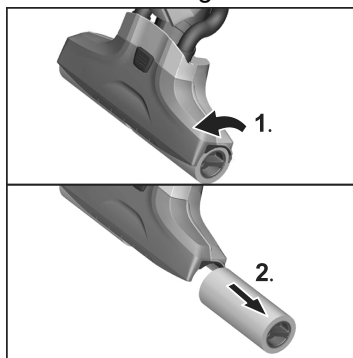
ATTENTION

To prevent liquid from leaking from tanks, empty fresh and waste water tanks before laying device on ground.

Note

If rollers are excessively dirty, remove from device and clean.

- Press On/Off button to power OFF device.
- Empty fresh and waste water tanks.
See Chapters "Emptying fresh water tank" and "Emptying waste water tank."
- Remove cleaning rollers.



- Clean rollers under running water.
or
- Wash rollers in washing machine up to 140 °F (60 °C).

ATTENTION

To avoid damaging the washing machine, we recommend placing the rollers in a laundry net and loading the washing machine with additional laundry.

ATTENTION

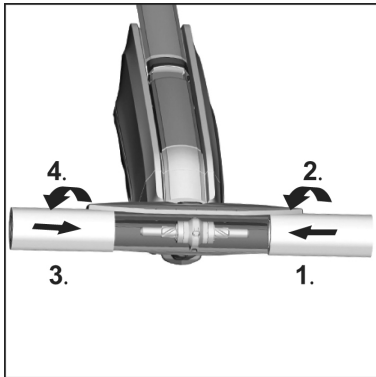
Do not use any soft detergents when cleaning in the washing machine. This avoids causing damage to the microfibrres. It also preserves the high performance levels of the cleaning rollers. The cleaning rollers are not suitable for the tumble dryer.

→ Once cleaned, place the rollers on the cleaning station storage and leave them to air dry.

Note

Drying time can be minimized by wringing out the rollers beforehand.

→ After they are dry screw cleaning rollers in until tight



→ Match colour coding between roller and holder (e.g., connect blue with blue), and ensure rollers are secure.

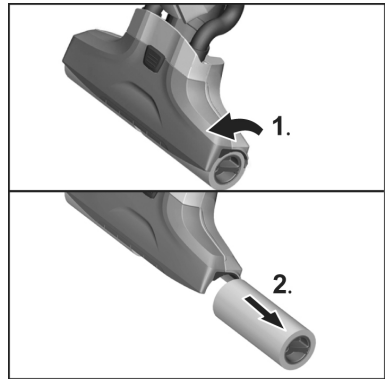
Cleaning the suction head

ATTENTION

To avoid performance issues, clean device of large debris. While the appliance is working, these parts will cause a rattling noise or will block up the suction ducts, diminishing suction performance.

→ Press On/Off button to power OFF device.

→ Remove the cleaning rollers.
See "Cleaning the rollers".

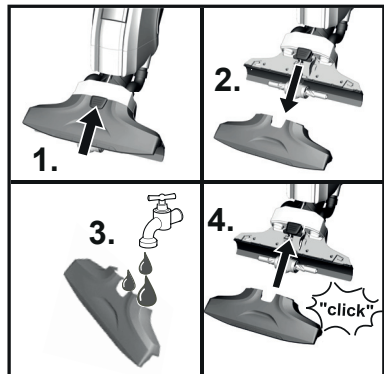


- 1 Press the suction head lock.
- 2 Take off the suction head lid.
- 3 Clean suction head cover under running water.

If necessary, remove particle deposits from suction ducts and slits in the suction head cover.

Clean the suction head with a damp cloth.

- 4 Fix the suction head lid onto the suction head.



Note

When attached to the suction head the suction head lid must lock in place audibly.

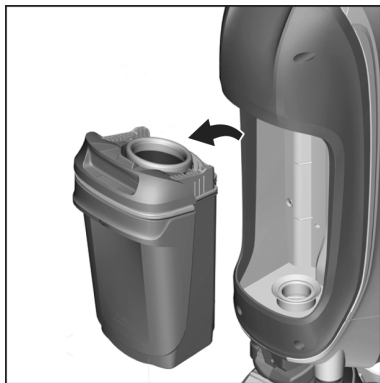
→ Screw cleaning rollers onto the threaded rod until secure.
See "Cleaning the rollers".

Clean waste water tank

ATTENTION

Regularly clean waste water tank to prevent blockage to separator and to prevent dirt from building in tank.

- Press On/Off button to power OFF device.
- Place device into storage station.
- Remove waste water tank.
See Chapter "Emptying the waste water tank".



- Clean waste water tank lid and tank with tap water.



Note

The waste water tank can also be cleaned in the dishwasher.

- After cleaning, attach lid and insert waste water tank into device.

Using detergents

ATTENTION

Detergents containing bleach, ammonia, or other corrosive substances is not permitted for use in this machine. The use of non-approved detergents can damage the appliance and will void the warranty.

Note

Add KÄRCHER detergent as required.

- When dosing detergent, follow the manufacturer's instructions.
- To prevent foaming, fill fresh water tank with water then add detergent.
- To avoid overfilling, leave room for detergent when filling with water.

TROUBLESHOOTING

⚠ **DANGER**

Prior to all work on the appliance, switch off the appliance disconnect the battery charger.

Failures are often simple and can be fixed using the following guidelines. If the issue is not listed here, please contact customer service.

Battery is not charging

- Charging plug/mains plug not correctly connected.
- Connect charging plug/mains plug correctly.

The device cannot be switched on

- Battery is empty.
- Charge the device.
- Check whether the charging cable is still plugged into the device.
- Take out charging cable, operation is not possible while charging cable is plugged in.

LED fault display

Lowermost LED flashes when the device is switched on and does not start.

- Battery is empty
 - Charge the device.
- All LEDs flash quickly simultaneously.
- Use of wrong or defective mains plug.
 - Use original mains plug/replace defective mains plug.

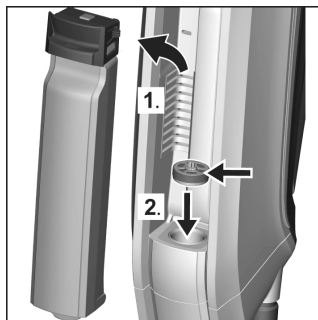
or

- Device too hot during use (e.g. when operating in high ambient temperatures).
- Take a break and let the device cool down.
- If the device also switches off:
- Take a break and let the device cool down.
- The device can only be switched on again once it has cooled down enough.

Rollers not wet

Filter inlay is not inserted.

- Remove fresh water tank and insert filter inlay with rubber pin facing upwards.

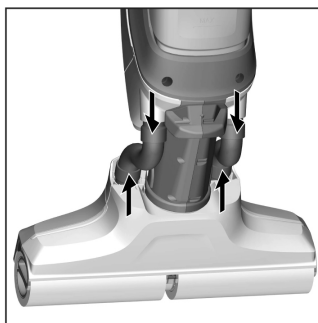


Filter inlay is inserted wrong way.

- Remove filter inlay and insert with pin facing upwards.

The suction hose is blocked.

- Carefully remove suction hoses from the suction head.



- Place the suction hoses in cold water for 10–20 minutes.
- Clean suction hoses with a dull object and/or under running water.

No dirt pick up

No water in fresh water tank.

- Fill the fresh water tank with cold or lukewarm tap water.

Fresh water tank does not fit properly in the device.

→ Insert fresh water tank until you hear a click.

Cleaning rollers missing or not fitted correctly.

→ Fit the cleaning rollers or turn them onto the roller holder until secure. See "Cleaning the rollers".

Cleaning rollers are dirty or worn.

→ Clean the cleaning rollers.

or

→ Replace the cleaning rollers.

Rollers do not turn

Rollers are blocked.

→ Remove rollers and check if an object is blocking rollers. See "Cleaning the rollers".

Loud rattling when powered on

Rollers are too dry.

→ Moisten rollers with 1.7 oz (0,05 l) of water in storage station. See "Start working".

Noise in suction head

There are parts (e.g. stones or splinters).

→ Remove suction head lid and clean the suction head. See Chapter "Cleaning the suction head".

Suction power decreases

The suction ducts and slits on the suction head are blocked.

→ Remove suction head lid and clean the suction head. See Chapter "Cleaning the suction head".

Appliance leaking waste water

Waste water tank is overfilled.

→ Empty waste water tank. See Chapter "Cleaning the waste water tank".

Waste water tank does not fit properly.

→ Check whether cover is secure on waste water tank.

See Chapter "Cleaning the waste water tank".

Separator is blocked.

→ Remove cover from waste water tank and clean separator. See Chapter "Cleaning the waste water tank".

The filter net of the waste water tank separator was damaged during cleaning.

→ Replace separator.

Streaks on floor

Detergent used was not effective or improperly used.

→ Only use detergents approved by KÄRCHER.

See chapter "Using detergents".

→ Follow the manufacturer's dosage instructions.

Initial moistening of rollers.

→ Completely moisten rollers.

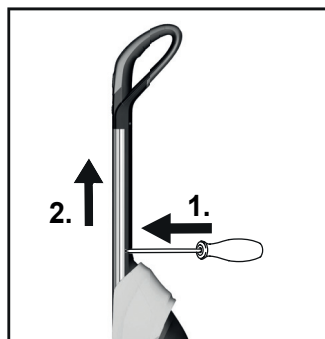
Removing handle from device

ATTENTION

Do not remove handle from the device once assembled.

The handle may only be removed for shipping service purposes.

→ Insert screwdriver at a 90 degree angle in small opening at rear of device and simultaneously pull handle up until it slides off.



ATTENTION

Please ensure cord between body and handle are not damaged.

DISPOSAL INFORMATION

WARNING

This appliance contains Lithium Ion rechargeable batteries. According to Federal and State regulations, removal and proper disposal of Lithium Ion batteries is required.

Please note the RBRC™ SEAL information below.



THE RBRC™ SEAL

The RBRC™ (Rechargeable Battery Recycling Corporation) Seal on the LI-ION (or battery pack) indicates that the costs to recycle the battery (or battery pack) at the end of its useful life have already been paid by KÄRCHER.

RBRC™ in cooperation with KÄRCHER and other battery users, has established programs in the United States to facilitate the collection of spent LI-ION. Help protect our environment and conserve natural resources by returning the spent LI-ION battery to an authorized KÄRCHER service center or to your local retailer for recycling. You may also contact your local recycling center for information on where to drop off the spent battery. RBRC™ is a registered trademark of the Rechargeable Battery Recycling Corporation.

Note

The battery of the appliance is not replaceable.

Note

Disconnecting the battery will destroy the appliance and invalidate the warranty.

- The battery should be removed from the appliance before disposal.
- Recycle is possible, because KÄRCHER appliances are made from high grade recyclable materials.
- Recycle or dispose the battery in accordance with local regulations or ordinances.

MANUAL DEL OPERADOR DEL LIMPIADOR DE PISO

MANUAL DEL OPERADOR DEL LIMPIADOR DE PISO	24
INSTRUCCIONES IMPORTANTES DE SEGURIDAD	25
LEA TODAS LAS INSTRUCCIONES ANTES DE UTILIZAR EL PRODUCTO	25
CONSERVE ESTAS INSTRUCCIONES	27
VISTA GENERAL DEL MODELO	30
INSTRUCCIONES DE MONTAJE	31
INSTRUCCIONES DE FUNCIONAMIENTO	32
INSTRUCCIONES DE CONSERVACIÓN Y MANTENIMIENTO	41
LOCALIZACIÓN Y REPARACIÓN DE AVERÍAS	44
INFORMACIÓN SOBRE ELIMINACIÓN DE RESIDUOS	47

INSTRUCCIONES IMPORTANTES DE SEGURIDAD

Al utilizar este dispositivo, es necesario adoptar determinadas precauciones básicas de seguridad, entre las que se incluyen las siguientes:

LEA TODAS LAS INSTRUCCIONES ANTES DE UTILIZAR EL PRODUCTO

Sólo para uso doméstico.

⚠ ADVERTENCIA

Para reducir el riesgo de fuegos, descarga eléctrica o lesiones:

- Desenchufar cuando no esté en uso y antes de revisar.

⚠ ADVERTENCIA

Para evitar el peligro, descarga eléctrica:

- No permita que se use como juguete. Prestar mucha atención cuando sea usado por y cerca de niños.
- No exponga la herramienta a la lluvia. Guárdela en un lugar seco.
- Usar exclusivamente como se describe en este manual. Usar solamente con los complementos recomendados por el fabricante.

- No lo utilice si el enchufe o el cable de la salida del cargador de baterías están dañados. En caso de que el dispositivo no funcione correctamente, de que se haya caído, estropeado, dejado al aire libre o se haya sumergido en agua, póngase en contacto con nuestro Grupo de atención al cliente llamando al +01 800 024 1313. Seleccione las indicaciones para los servicios de garantía.
- No tire del dispositivo ni lo transporte por el cable de la salida del cargador de baterías; no utilice el cable de la salida del cargador de baterías como asa; no deje que el cable de la salida del cargador de baterías quede atrapado al cerrar una puerta ni tire del cable de la salida del cargador de baterías en torno a bordes cortantes o esquinas. No deje que el dispositivo pise el cable de la salida del cargador de baterías. Mantenga el cable de la salida del cargador de baterías alejado de las superficies con calor.
- Las reparaciones solo las deben realizar técnicos autorizados conforme a los reglamentos de seguridad nacionales y locales. Las reparaciones no autorizadas podrían ocasionar lesiones o dañar el aparato.
- La tensión de alimentación tiene que coincidir con la indicada en la placa de características.
- No modifique el equipo ni el conjunto de baterías y tampoco intente repararlos (según proceda); como excepción, puede seguir las indicacio-

nes de las instrucciones de empleo y conservación.

- No desenchufe el dispositivo tirando del cable de la salida del cargador de baterías. Desenchúfelo desde el propio enchufe.
- No manipule el cargador de baterías o el dispositivo con las manos húmedas.
- Usar con especial cuidado cuando limpie escaleras.
- No introduzca nunca disolventes, líquidos que contengan disolventes o ácidos sin diluir (p. ej., detergentes no aprobados por KÄRCHER, gasolina, disolvente y acetona) en el depósito de agua, ya que estas sustancias pueden corroer los materiales del dispositivo.
- No introducir objetos en los orificios. No usar con aberturas bloqueadas.
- No cargar la unidad en exteriores.
- Usar exclusivamente el cargador suministrado por el fabricante para recargar.
- No incinerar el dispositivo incluso si está muy dañado. Las baterías pueden explotar con el fuego.
- **Puede provocar un cortocircuito!** No inserte ningún objeto conductor (p.ej. destornillador o similar) en clavija de carga.
- Sólo está permitido cargar la batería con el cargador original suministrado o con el cargador autorizado por KÄRCHER.
- Sustituir inmediatamente el cargador con el cable por una pieza original si se aprecia algún tipo de daño.
- En condiciones extremas, es posible que se expulse líquido de la batería; evite entrar en contacto con él. Si este entra en contacto con su piel, enjuague con agua. Si el líquido entra en contacto con los ojos, solicite además asistencia médica. El líquido expulsado de la batería puede provocar irritación o quemazón.
- No utilice un conjunto de baterías o equipo dañado o modificado. Las baterías dañadas o modificadas pueden presentar un comportamiento impredecible, pudiendo derivarse de su uso un incendio, una explosión o el riesgo de daños.
- Utilice únicamente el cargador especificado por el fabricante. Un cargador adecuado para un conjunto de baterías específico puede suponer un peligro de incendio si se utiliza con un conjunto de baterías diferente.
- Siga todas las instrucciones de carga y no cargue el conjunto de baterías o el equipo fuera del rango de temperaturas especificado en las instrucciones de empleo. Cargar de forma incorrecta o a temperaturas que excedan el rango especificado puede dañar la batería y aumentar el peligro de incendio.
- Usar y almacenar el cargador solamente en lugar seco.
- No exponga un conjunto de baterías o equipo al fuego o a una temperatura excesiva. Exponerlos al fuego o a temperaturas por encima de 265 °F (130 °C) puede provocar una explosión.
- Guarde y utilice el cargador únicamente en estancias secas y a una temperatura ambiente de entre 41 - 104 °F (5 - 40 °C).
- Guarde ni utilice el dispositivo a temperaturas a 32 - 104 °F (0 - 40 °C).
- La batería ha sido sometida a ensayos en conformidad con las disposiciones relevantes para transporte

internacional y puede ser transportada / enviada.

- No sumerja nunca el dispositivo en agua ni en otros líquidos.
- No utilice nunca el dispositivo en piscinas llenas de agua.
- No realice el mantenimiento del dispositivo cuando este se encuentre enchufado.
- No limpiar por encima de enchufes de suelo.
- Antes de utilizar o realizar cualquier tarea en el dispositivo, asegúrese de que se encuentre en una posición estable para evitar accidentes y que no se dañe.
- Mantener el cabello, la ropa floja, los dedos y todas las partes del cuerpo alejadas de los orificios y partes móviles.
- Proteger las manos durante la limpieza del cabezal de aspiración ya que existe riesgo de lesiones causadas por objetos afilados (p. ej. astillas).
- El dispositivo no se puede utilizar en entornos explosivos.
- Los orificios de ventilación del dispositivo no pueden estar bloqueados.
- No llenar el depósito de agua fresca con ácidos acéticos, descalcificadores, aceites esenciales o sustancias similares. Procurar no aspirar dichas sustancias.
- Este dispositivo solo se puede utilizar en suelos resistentes sellados (p. ej., parqué barnizado, azulejos esmaltados o linóleo).
- Guardar el equipo en un lugar interior fresco y seco.
- Transporte el dispositivo por su empuñadura.
- Este dispositivo no se debe utilizar para introducir objetos grandes o

puntiagudos (p. ej., fragmentos suelos, piedras pequeñas o piezas de juguetes).

- No utilice este dispositivo para limpiar alfombras o suelos enmoquetados.
- No utilice este dispositivo por encima de los orificios de ventilación del suelo de calentadores por convección. Este dispositivo no puede recoger el agua descargada cuando se utiliza sobre los orificios de ventilación.
- No llenar en exceso el depósito. No exceder el nivel de llenado máximo.
- Encienda únicamente el dispositivo cuando estén instalados los depósitos de agua fresca y de agua sucia.
- No permita que se utilice el dispositivo durante demasiado tiempo en el mismo lugar, ya que esto podría dañar el suelo.

PROP 65 AVERTENCIA



Este producto puede contener determinadas sustancias químicas que pueden provocar cáncer, enfermedades congénitas y otros problemas en la salud reproductora de acuerdo con el estado de California.

Lávese las manos antes de manipularlo.

CONSERVE ESTAS INSTRUCCIONES

Símbolos de aviso de seguridad

PELIGRO

Aviso sobre un riesgo de peligro inmediato que puede provocar lesiones corporales graves o la muerte.

⚠ **ADVERTENCIA**

Aviso sobre una situación probablemente peligrosa que puede provocar lesiones corporales graves o la muerte.

⚠ **PRECAUCIÓN**

Indicación sobre una situación que puede ser peligrosa, que puede acarrear lesiones leves.

CUIDADO

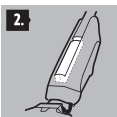
Aviso sobre una situación probablemente peligrosa que puede provocar daños materiales.

Símbolos en el aparato

CUIDADO

Para evitar desbordamientos, no deje que se supere la línea de llenado «MAX» del depósito de agua sucia.

⚠ **ATTENTION!** Respetar el siguiente procedimiento:



1.
Asegúrese de que el depósito de agua sucia esté vacío.

2.
Llene el depósito de agua fresca sin superar el nivel «MAX» para que no se desborde.

Uso previsto

- Este dispositivo ha sido diseñado para la limpieza de suelos resistentes sellados únicamente en entornos domésticos.
- No limpie suelos que no estén sellados, como los suelos de corcho

sin tratar (podría penetrar humedad y dañarse el suelo).

- Este dispositivo está indicado para la limpieza de superficies de PVC, linóleo, de azulejos, de piedra, parqué encerado y aceitado, suelos laminados y todo tipo de coberturas para suelo selladas.

Cualquier uso diferente a éstos se considerará un uso no previsto. El fabricante no se hace responsable de los daños causados por un uso no previsto; el usuario será el único que correrá con este riesgo.

Responsabilidades del propietario/usuario

El propietario y/o el usuario deben comprender bien las instrucciones de servicio y advertencias del fabricante antes de empezar a utilizar el aparato. Debe prestarse especial atención y tener muy claras las advertencias. Si el operador no habla bien el español, el propietario/comprador debe responsabilizarse de leer y comentar las instrucciones y las advertencias en su lengua natal, y asegurarse de que entiende a la perfección su contenido. El propietario y/o el usuario deben leer y guardar como referencia para el futuro las instrucciones del fabricante.

Servicio al cliente

Registro

Debe registrar su dispositivo para poder recibir ayuda con cualquier pregunta o problema que tenga. Puede registrar su dispositivo en **www.karcher-register.com** si se encuentra en los EE. UU., **www.karcher/ca** si se encuentra en Canadá, o **www.karcher.com/mx** si se encuentra en México.

Garantía

Si tiene una reclamación de garantía, puede contactar al servicio de atención al cliente. Consulte la información de contacto que se indica a continuación para EE.UU., Canadá o México. DEBE proporcionar su comprobante de compra para presentar una reclamación de garantía por correo electrónico, teléfono o fax.

Servicio al cliente en EE.UU.

Puede comunicarse con nuestro departamento de Atención al Cliente por teléfono al **1-800-537-4129** o en la página web **www.karcher-help.com**.

Servicio al cliente en México

Puede comunicarse con nuestro departamento de Atención al Cliente por teléfono al **01-800-024-13-13** o en la página web **www.karcher.com/mx**.

Atención al cliente en Canadá

Puede comunicarse con nuestro departamento de Atención al Cliente por teléfono al **1-800-465-4980** o en la página web **www.karcher.com/ca**.

Cobertura de la entrega

La cobertura de la entrega del aparato se indica en el embalaje. Al desempaquetarlo, compruebe que el contenido esté completo. Si falta algún accesorio o si se produce algún daño durante el transporte, notifique a nuestro departamento de Atención al Cliente tal como se ha indicado anteriormente por teléfono o en la página web.

Datos técnicos

Conexión eléctrica

Área de tensión de la batería	25,2 V
Grado de protección	IPX4
Aparato	III
Clase de protección	

Clase de protección del cargador	II
Potencia nominal del aparato	165 W
Tipo de batería	Iones de litio
Tiempo de servicio con la batería totalmente cargada	aprox. min 20
Tiempo de carga cuando la batería esté vacía	4 h
Tensión de salida del cargador	30 V
Corriente de salida del cargador	0,6 A

Potencia y rendimiento

Revoluciones por minuto de los rodillos	500 rpm
---	---------

Cantidad de llenado

Depósito de agua limpia	13.5 oz (0.4 l)
Estación de limpieza	6.7 oz (0.2 l)

Medidas

Peso (sin accesorios ni líquidos de limpieza)	9.7 lbs (4.4 kg)
---	---------------------

Longitud	12.603 in (20 mm)
----------	----------------------

Anchura	10.63 in (270 mm)
---------	----------------------

Altura	48.03 in (1220 mm)
--------	-----------------------

Longitud del cable Cargador	59.06 in (1500 mm)
-----------------------------	-----------------------

Nº de pieza	1.055-606.0
-------------	-------------

Reservado el derecho a realizar modificaciones técnicas.

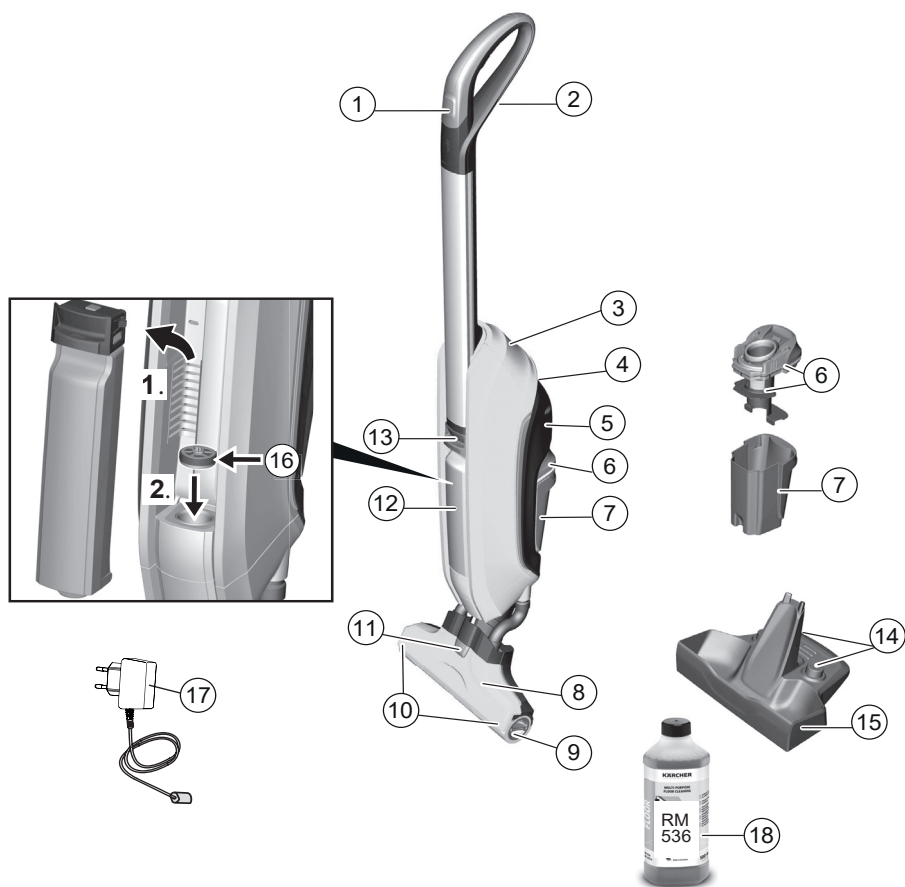
El valor afecta solo a dispositivos para México:

CONSUMO DE ENERGÍA

- En Operación: 22,029 Wh
 - En Modo de Espera: N/A
- Modelo: FC 5 Cordless

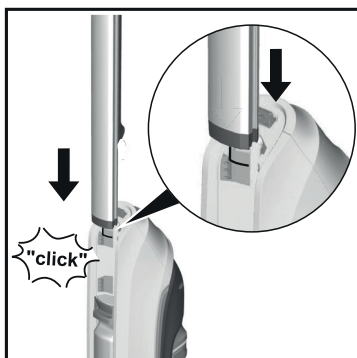
VISTA GENERAL DEL MODELO

- | | | | |
|---|---|----|-----------------------------------|
| 1 | Interruptor ON/OFF | 10 | Rodillos de limpieza |
| 2 | Mango | 11 | Bloqueo del cabezal de aspiración |
| 3 | Indicador de la batería | 12 | Depósito de agua limpia |
| 4 | Asa de transporte | 13 | Asa del depósito de agua limpia |
| 5 | Terminal de carga | 14 | Almacenaje de los rodillos |
| 6 | Tapa del depósito de agua sucia/
separador | 15 | Estación de almacenamiento |
| 7 | Depósito de agua sucia | 16 | Cartucho filtrante |
| 8 | Cubierta del cabezal de aspiración | 17 | Cargador con cable |
| 9 | Ranura de rodillo de limpieza | 18 | Detergente RM 536 500 ml |



INSTRUCCIONES DE MONTAJE

- Introduzca la empuñadura en la unidad básica hasta que escuche un clic.



INSTRUCCIONES DE FUNCIONAMIENTO

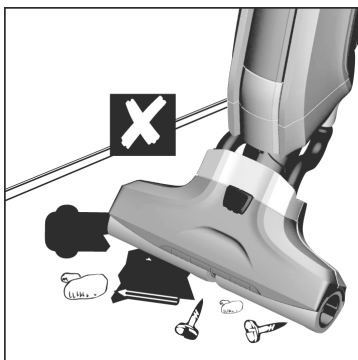
Información general sobre funcionamiento

CUIDADO

Este dispositivo solo se puede utilizar para introducir suciedad y líquidos (máx. 0,25 l/8.5 oz).



- Antes de comenzar la limpieza, saque del suelo los objetos más grandes que podrían estropear el dispositivo.



- Antes de utilizarlo, compruebe la resistencia al agua del suelo en las zonas que le generen dudas. No limpie suelos que no estén sellados, como los suelos de corcho sin tratar en los cuales podría penetrar humedad y estropear el suelo.

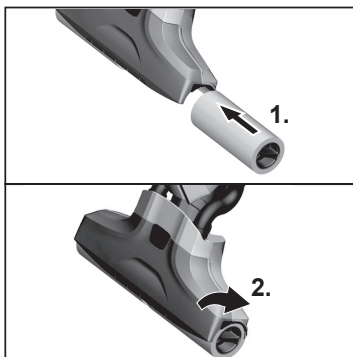
- Sujete el dispositivo en un ángulo de 60 grados, aproximadamente.
- Limpie el suelo moviendo el dispositivo hacia atrás y hacia adelante, como si estuviera utilizando una aspiradora, hasta que el suelo esté limpio.

Notas

- Para evitar rayones, probar el equipo en superficies sensibles (por ejemplo, de madera o gres cerámico fino) en un lugar poco visible antes de utilizarlo.
- No se debe insistir en una zona concreta, sino mantener el equipo en movimiento.
- Respetar las indicaciones del fabricante del suelo.

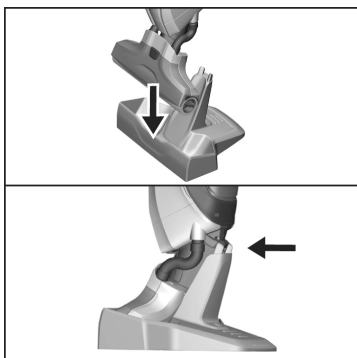
Montaje de los rodillos

- Enroscar los rodillos de limpieza hasta el tope en el soporte de rodillos.
- Tener en cuenta la asignación cromática del lado interno de los rodillos y del soporte de rodillos en el equipo (p. ej. azul con azul).
- Tras el montaje, comprobar si los rodillos de limpieza están firmemente asentados.

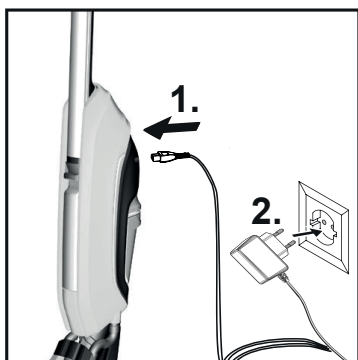


Proceso de carga

- ➔ Guarde el dispositivo en la estación de almacenamiento cuando no lo esté utilizando.

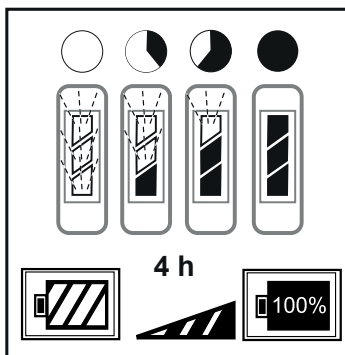


- ➔ Enchufar el cable de carga del cargador a la terminal de carga del equipo.
- ➔ Enchufar el cargador en la clavija.

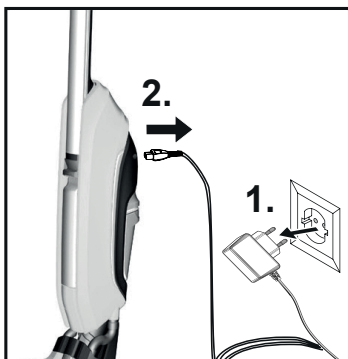


- Los pilotos de control LED muestran el estado de carga actual de la batería.
- Al cargar la batería completamente descargada, parpadean los 3 pilotos de control LED sucesivamente de abajo a arriba.
- Cuando se alcanza 1/3 de la carga de la batería, el LED inferior permanece iluminado, y los dos LED superiores siguen parpadeando.
- Cuando se alcanzan 2/3 de la carga de la batería, los dos LED inferiores

- permanecen iluminados, y el LED superior sigue parpadeando.
- Una vez cargada por completo la batería, los 3 pilotos de control LED siguen encendidos durante 60 minutos. Pasado este tiempo se apagan.



- ➔ Después de la carga, extraer el conector de red del enchufe y el cable de carga a la terminal de carga.

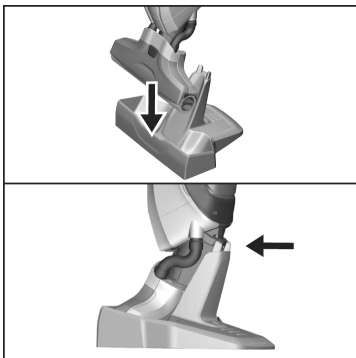


Rellenar el depósito de agua limpia

CUIDADO

Guarde el dispositivo en la estación de almacenamiento cuando no lo esté utilizando. De no colocarse en una superficie estable, el dispositivo podría volcarse y derramar el líquido, lo que estropearía el suelo.

- Guarde el dispositivo en la estación de almacenamiento cuando no lo esté utilizando.



- Saque el depósito de agua limpia.



CUIDADO

*Siga las instrucciones de dosificación del detergente recomendadas.

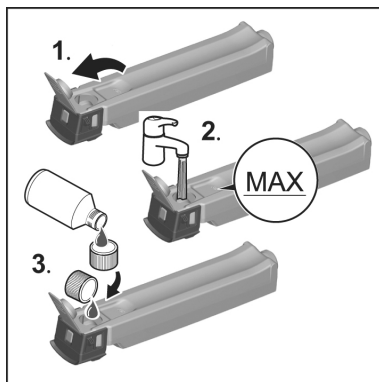
- 1 Abra el cierre del depósito de agua limpia.
- 2 Llene el depósito de agua limpia con agua corriente fría o templada.

No sobrepase la línea de llenado «MAX».

- 3 En el depósito de agua limpia, se pueden añadir detergentes KÄRCHER en función de las necesidades.*

Consulte el capítulo Uso de detergentes.

- Cerrar la tapa del depósito.



- Introduzca el depósito de agua limpia, hasta que escuche un clic.



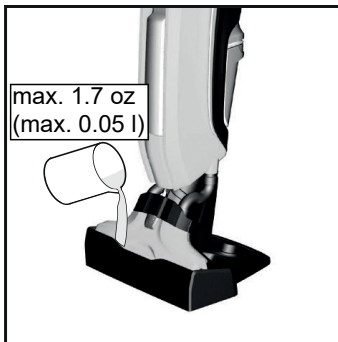
PRECAUCIÓN

Cuando se encienda el dispositivo, los rodillos de limpieza comenzarán a girar. Mantenga bien sujeta la empuñadura para que el dispositivo no avance por sí solo.

CUIDADO

El dispositivo solo se puede utilizar con agua. Antes de utilizarlo, compruebe que el depósito de agua limpia esté lleno y el depósito de agua sucia, vacío.

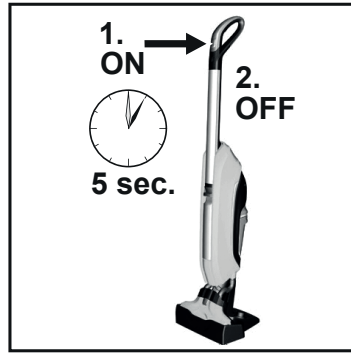
→ Para humedecer con rapidez los rodillos, utilice el vaso medidor para llenar la estación de almacenamiento con 0,05 l (1.7 oz) de agua limpia.



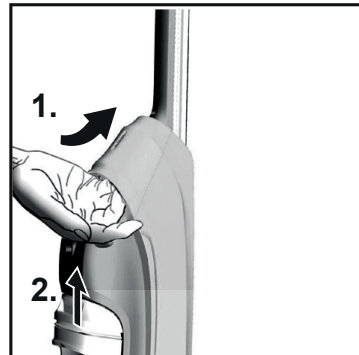
→ Pulse el botón on/off para encender el dispositivo y colóquelo en la estación de almacenamiento durante 5 segundos.

Una vez transcurrido ese tiempo, el dispositivo tendrá el nivel adecuado de humedad para poder empezar con la limpieza.

→ Presione el botón on/off para apagar el dispositivo.



→ Saque el dispositivo de la estación de almacenamiento y colóquelo en el suelo.

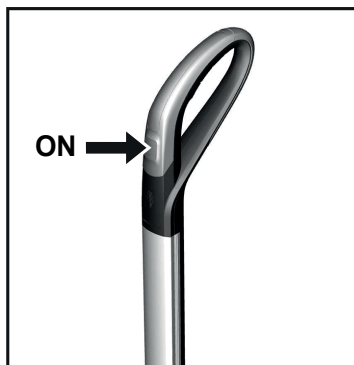


→ Sujete bien el dispositivo por la empuñadura.

→ Presione el botón on/off para encender el dispositivo.

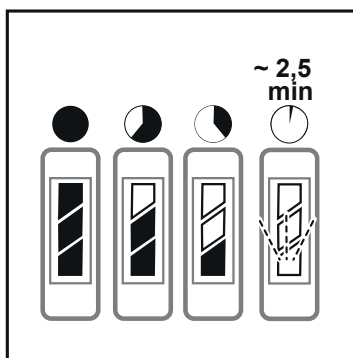
Nota

- Pulsar brevemente el interruptor ON.
- Después de aprox. 1 o 2 segundos los rodillos empiezan a rotar y el equipo está listo para el funcionamiento.



Tiempo de funcionamiento de la batería

- 3 LED encendidos: 3/3 capacidad de carga de las acumuladores (tiempo de marcha completo).
- 2 LED encendidos: 2/3 capacidad de carga de las acumuladores.
- 1 LED encendido: 1/3 de la capacidad de carga de la batería.



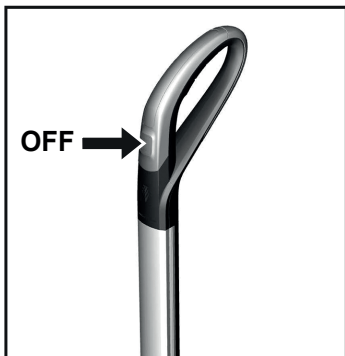
- 5 minutos antes del final del tiempo de marcha los rodillos emiten una señal debido a la modificación en la velocidad de rotación.
- Aprox. 2,5 minutos antes de que la batería se descargue por completo, el LED inferior parpadea.
- Transcurridos 1,5 minutos antes del final del tiempo de marcha se desconecta el equipo.
- Debido a la conexión, los 1,5 minutos restantes se pueden utilizar para la limpieza de equipos en la estación.
Véase el capítulo "Limpieza de equipos mediante proceso de enjuague".
- Cuando la batería se descarga por completo y el equipo se apaga, el LED inferior parpadea durante 10 segundos.

Cuando no esté en uso

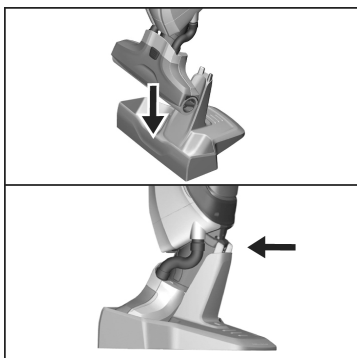
CUIDADO

Guarde el dispositivo en la estación de almacenamiento cuando no lo esté utilizando. De no colocarse en una superficie estable, el dispositivo podría volcarse y derramar el líquido, lo que estropearía el suelo.

→ Presione el botón on/off para apagar el dispositivo.



→ Coloque el dispositivo en la estación de almacenamiento.



Llenado de detergente líquido

CUIDADO

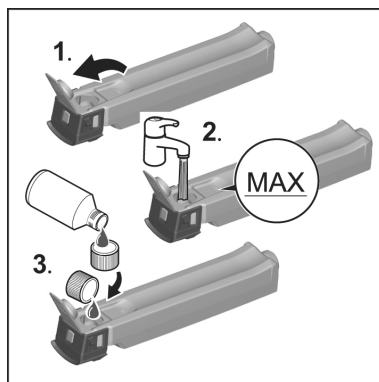
Antes de llenar el depósito de agua limpia, vacíe el depósito de agua sucia para que no se desborde.

Véase el capítulo "Vaciado del depósito de agua sucia".

→ Saque el depósito de agua limpia.



- 1 Saque la tapa de cierre del depósito.
- 2 Llenar el depósito de agua limpia con agua del grifo fría o tibia. No sobrepase la línea de llenado «MAX».
- 3 En el depósito de agua limpia, se pueden añadir detergentes KÄRCHER en función de las necesidades.*
Consulte el capítulo Uso de detergentes.



- Cerrar la tapa del depósito.
- Introduzca el depósito de agua limpia. hasta que escuche un clic.

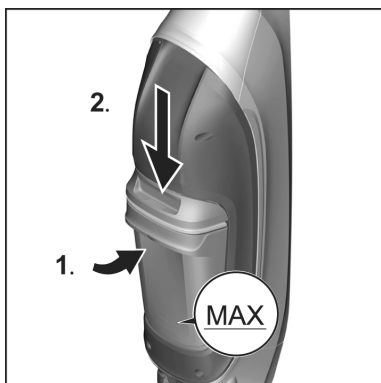


Vaciado del depósito de agua sucia

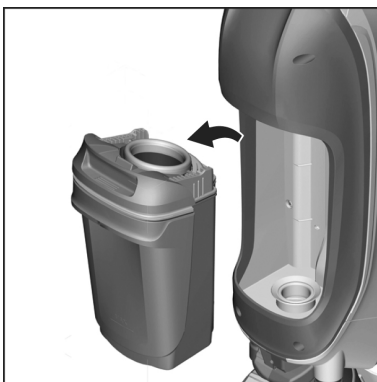
CUIDADO

Una vez terminada la limpieza, limpie el dispositivo con el ciclo de aclarado. Consulte «Limpieza del dispositivo»

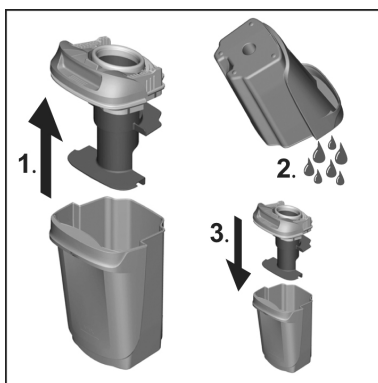
- Para sacar el depósito de agua sucia, apriete la tapa de arriba mientras tira hacia fuera.



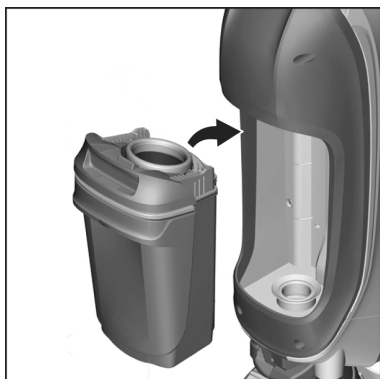
- Extraiga el depósito de agua sucia.



- 1 Saque la tapa del depósito de agua sucia.
- 2 Vacíe el depósito de agua sucia y aclárelo con agua.
- 3 Para fijar la tapa, colóquela en el depósito de agua sucia y presiónela hasta que haga clic.



- Introduzca el depósito de agua sucia en el dispositivo hasta que haga clic.

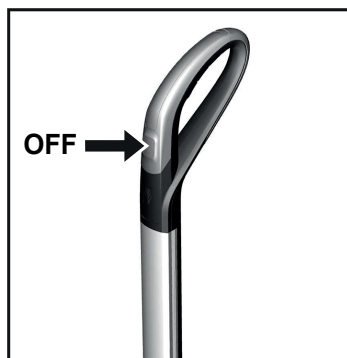


Presione el botón on/off para apagarlo.

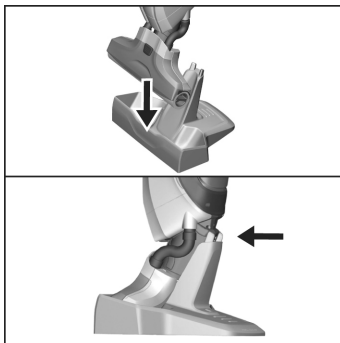
CUIDADO

Al finalizar el trabajo, limpiar el equipo mediante un proceso de enjuague. Véase el capítulo "Limpieza de equipos mediante proceso de enjuague".

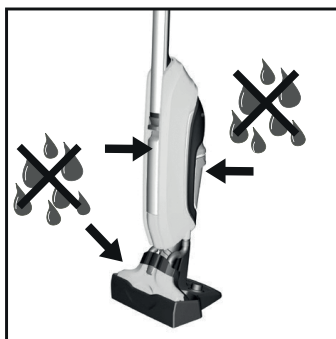
- Presione el botón on/off para apagar el dispositivo.



- Coloque el dispositivo en la estación de almacenamiento.



- Vacíe los depósitos de agua limpia y de agua sucia.



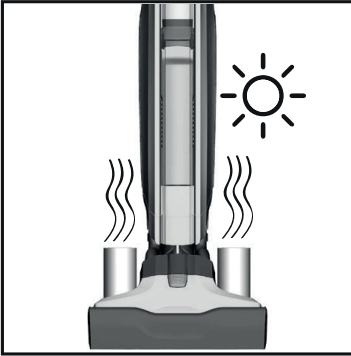
- Vaciado del depósito de agua sucia. Véase el capítulo "Vaciado del depósito de agua sucia".

Almacenamiento del dispositivo

CUIDADO

Para evitar malos olores, vacíe y aclare los depósitos de agua limpia y de agua sucia antes de almacenar el dispositivo.

- Mueva el dispositivo por la empuñadura y almacénelo en la estación de almacenamiento.
- Colocar los rodillos mojados en la estación de parada para secarlos.



- Guarde el dispositivo resguardado en un lugar fresco y seco.

INSTRUCCIONES DE CONSERVACIÓN Y MANTENIMIENTO

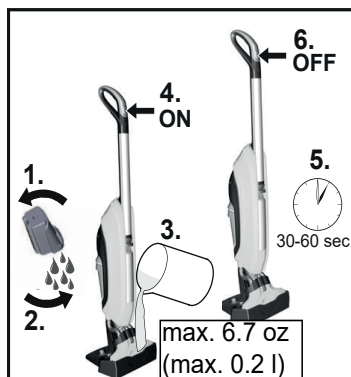
Limpieza del dispositivo

CUIDADO

Cuando haya terminado de utilizarlo, aclare el dispositivo con agua limpia en la estación de almacenamiento.

- Presione el botón on/off para apagar el dispositivo.
- Coloque el dispositivo en la estación de almacenamiento.
- Vacíe todos los líquidos que queden en el depósito de agua limpia.

- 1 Vaciado del depósito de agua sucia.
Véase el capítulo "Vaciado del depósito de agua sucia".
- 2 Vuelva a introducir el depósito de agua sucia.
- 3 Llene el vaso medidor con 0,2 l (6.7 oz) de agua.
Llene de agua la estación de almacenamiento.
De ser necesario, añada los detergentes de KÄRCHER que sean adecuados.
- 4 Presione el botón on/off para encender el dispositivo.
- 5 Deje en marcha el dispositivo entre 30 y 60 segundos hasta que se extraiga toda el agua de la estación de almacenamiento.
El proceso de enjuague ha finalizado.
- 6 Presione el botón on/off para apagar el dispositivo.



Nota

Deje en marcha el dispositivo para reducir la cantidad de humedad que queda en los rodillos.

- Vacíe los depósitos de agua limpia y de agua sucia. Consulte los capítulos «Vaciado del depósito de agua fresca» o «Vaciado del depósito de agua sucia».

Limpieza de rodillos

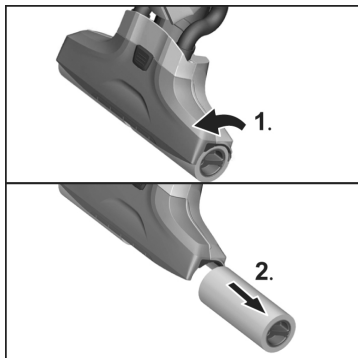
CUIDADO

Para que no se vierta el líquido de los depósitos, vacíe los depósitos de agua limpia y de agua sucia antes de colocar el dispositivo en el suelo.

Nota

En caso de que los rodillos estén demasiado sucios, quítelos del dispositivo y límpielos.

- Presione el botón on/off para apagar el dispositivo.
- Vacíe los depósitos de agua limpia y de agua sucia. Consulte los capítulos «Vaciado del depósito de agua limpia» y «Vaciado del depósito de agua sucia».
- Saque los rodillos de limpieza.



- Limpie los rodillos con agua corriente.
- o
- Lave los rodillos en un lavavajillas a 60 °C (140 °F).

CUIDADO

Para evitar que se produzcan daños en la lavadora, recomendamos colocar los rodillos en una red de lavandería mientras se carga la lavadora con más ropa.

CUIDADO

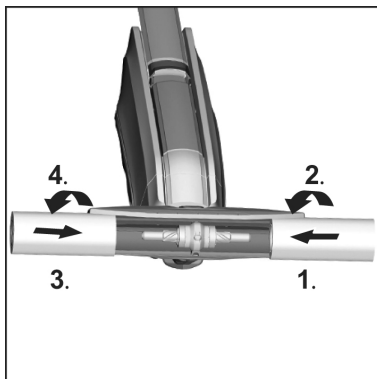
No utilizar suavizante si se lava a máquina. De esa forma, no se dañan las microfibras y los rodillos de limpieza conservan su alto efecto de limpieza. Los rodillos de limpieza no pueden meterse en la secadora.

- Después de la limpieza, introducir los rodillos en la estación de parada y dejarlos secar al aire.

Nota

Es posible minimizar el tiempo de secado si se escurren previamente los rodillos.

- Enrosque los rodillos de limpieza en el dispositivo hasta que estén bien sujetos.



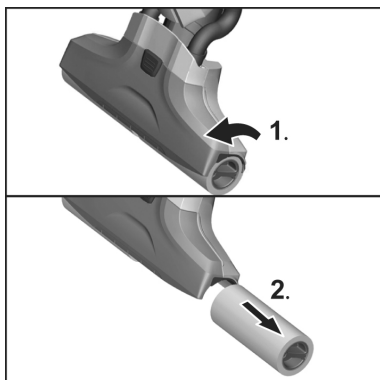
- Junte el rodillo con el soporte correspondiente del mismo color (p. ej., el azul con el azul) y asegúrese de que los rodillos se encuentren bien sujetos.

Limpieza del cabezal de aspiración

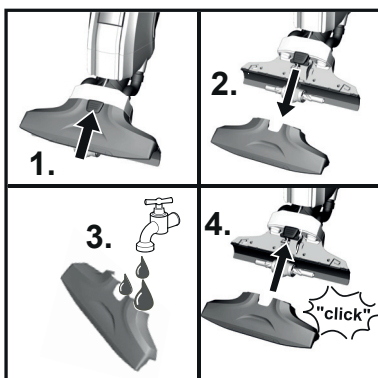
CUIDADO

Para evitar problemas de rendimiento, limpie el dispositivo cuando haya restos grandes. Cuando el aparato esté en marcha, estos restos provocarán un golpeteo o bloquearán los conductos de aspiración, lo que reducirá el rendimiento de la aspiración.

- Presione el botón on/off para apagar el dispositivo.
- Retirar los rodillos de limpieza. Véase el capítulo "Limpieza de rodillos".



- 1 Presionar el bloqueo del cabezal de aspiración.
- 2 Desmontar la cubierta del cabezal de aspiración.
- 3 Limpiar la cubierta del cabezal de aspiración con agua limpia. De ser necesario, retire las acumulaciones de partículas de los conductos de aspiración y las rendijas de la cubierta del cabezal de aspiración.
Limpiar el cabezal de aspiración del equipo con un paño húmedo.
- 4 Fijar la cubierta del cabezal de aspiración al cabezal de aspiración.



Nota

Se debe oír como encaja la cubierta del cabezal de aspiración al fijarla en el cabezal de aspiración.

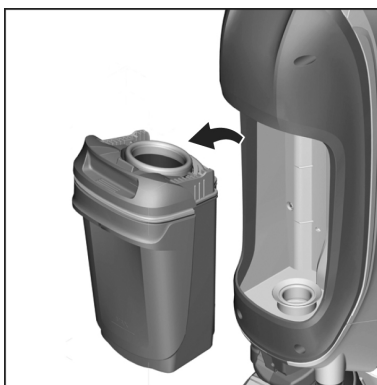
- Atornille los rodillos de limpieza en la varilla roscada hasta que estén bien sujetos.
Véase el capítulo "Limpieza de rodillos".

Limpieza del depósito de agua sucia

CUIDADO

Limpie con frecuencia el depósito de agua sucia para que no se bloquee el separador y evitar la acumulación de suciedad en el depósito.

- Presione el botón on/off para apagar el dispositivo.
- Coloque el dispositivo en la estación de almacenamiento.
- Extraiga el depósito de agua sucia. Véase el capítulo "Vaciado del depósito de agua sucia".



- Limpie el depósito de agua sucia y su tapa y aclárelos con agua limpia.



Nota

El depósito de agua sucia también puede lavarse en el lavavajillas.

- Una vez limpios, coloque la tapa e introduzca el depósito de agua sucia en el dispositivo.

Uso de detergentes

CUIDADO

Los detergentes que contienen lejía, amoníaco u otras sustancias corrosivas no están permitidos para su uso en esta máquina.

El uso de detergentes no autorizados podría dañar el aparato y anular su garantía.

Nota

Añada el detergente KÄRCHER que sea necesario.

- A la hora de dosificar el detergente, siga las instrucciones del fabricante.
- Para evitar la formación de espuma, rellene el depósito de agua limpia con agua y, a continuación, añada detergente.
- Para que no se desborde, deje espacio para el detergente cuando añada el agua.

LOCALIZACIÓN Y REPARACIÓN DE AVERÍAS

⚠ PELIGRO

Antes de comenzar a trabajar en el aparato, apáguelo y desconecte el cargador de la batería.

Normalmente, las averías son sencillas y se pueden arreglar siguiendo estas directrices. Si el problema no aparece dentro de este apartado, póngase en contacto con el servicio de atención al cliente.

No se carga la batería

- El conector de carga/conector de red no está correctamente conectado.
- Conectar correctamente el conector de carga/conector de red.

El equipo no se enciende

- La batería está vacía.
- Cargar el equipo.
- Comprobar si el cable de carga sigue enchufado en el equipo.
- Desenchufar el cable de carga, pues no es posible el funcionamiento con el cable de carga conectado.

Indicador de fallos LED

El LED inferior parpadea al conectar el equipo y el equipo no funciona.

- La batería está vacía
 - Cargar el equipo.
- Todos los LED parpadean rápidamente al mismo tiempo.
- Utilización de una fuente de alimentación errónea o defectuosa.
 - Utilizar la fuente de alimentación original/sustituir la fuente de alimentación defectuosa.

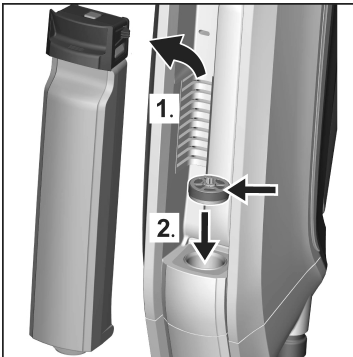
o

- Equipo demasiado caliente durante la utilización (p. ej., al funcionar a alta temperatura ambiente).
- Realizar una pausa y dejar enfriar el equipo.
- Cuando el equipo además se desconecta:
- Realizar una pausa y dejar enfriar el equipo.
- El equipo no se puede volver a conectar hasta que esté frío.

Los rodillos no se humedecen

Acoplamiento de filtro no colocado.

- Retirar el depósito de agua limpia y colocar el acoplamiento de filtro con un perno hacia arriba.



El acoplamiento de filtro no se ha introducido correctamente.

- Retirar el acoplamiento de filtro e introducir hacia arriba con un perno.
- La manguera de aspiración está obstruida.
- Extraiga con cuidado las mangueras de aspiración del cabezal de aspiración.



- Colocar las mangueras de aspiración entre 10 y 20 minutos en agua fría.
- Limpiar las mangueras de aspiración con un objeto obtuso y/o bajo agua corriente.

Extracción de suciedad

No hay agua en el depósito de agua limpia.

- Llenar el depósito de agua limpia con agua del grifo fría o tibia.
- El depósito de agua limpia no se encuentra correctamente colocado en el equipo.
- Introduzca el depósito de agua limpia hasta que escuche un clic.
- Faltan rodillos de limpieza o no están correctamente insertados.
- Introduzca los rodillos de limpieza o gírelos hacia el soporte del rodillo hasta que estén bien sujetos. Véase el capítulo "Limpieza de rodillos".

Los rodillos de limpieza están sucios o gastados.

- Limpiar los rodillos de limpieza.
- o
- Sustituir los rodillos de limpieza.

Los rodillos no giran

Los rodillos se bloquean.

- Quite los rodillos y compruebe si hay algún objeto obstruyendo los rodillos.

Véase el capítulo "Limpieza de rodillos".

Fuerte golpeteo al encender el dispositivo.

Los rodillos están demasiado secos.

- Humedezca los rodillos con 0,05 l (1.7 oz) de agua en la estación de almacenamiento.

Véase el capítulo „Comenzar con el trabajo“.

Ruido en el cabezal de aspiración.

Presencia de piezas (p. ej. piedras o astillas) en el cabezal de aspiración.

- Extraer la cubierta del cabezal de aspiración y limpiar el cabezal.

Véase el capítulo "Limpieza del cabezal de aspiración".

La potencia de absorción disminuye

Los canales de aspiración y las ranuras del cabezal de aspiración están obstruidos.

- Extraer la cubierta del cabezal de aspiración y limpiar el cabezal.
Véase el capítulo "Limpieza del cabezal de aspiración".

El aparato vierte agua sucia

El depósito de agua sucia está lleno.

- Vacíe el depósito de agua sucia.
Véase el capítulo "Limpieza del depósito de agua sucia".

El depósito de agua sucia no encaja bien.

- Compruebe que la cubierta esté bien colocada en el depósito de agua sucia.
Véase el capítulo "Limpieza del depósito de agua sucia".

El separador está atascado.

- Saque la cubierta del depósito de agua sucia y limpie el separador.
Véase el capítulo "Limpieza del depósito de agua sucia".

El filtro del separador del depósito de agua sucia se ha dañado con la limpieza.

- Sustituya el separador.

Presencia de vetas en el suelo

El detergente utilizado no es lo suficientemente eficaz o se ha utilizado de forma incorrecta.

- Utilice únicamente detergentes autorizados por KÄRCHER.
Consulte el capítulo «Uso de detergentes».

- Tener en cuenta la información de dosificación del fabricante.

Humectación inicial de los rodillos.

- Humedecer los rodillos por completo.

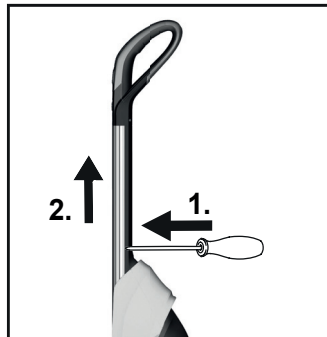
Extracción de la empuñadura del dispositivo

CUIDADO

No extraiga la empuñadura del dispositivo una vez se encuentre montada.

La empuñadura solo se podrá extraer en caso de que se vaya a enviar para realizar tareas de mantenimiento.

- Introduzca un destornillador en un ángulo de 90 grados por una pequeña abertura situada en la parte trasera del dispositivo y tire a la vez de la empuñadura hacia arriba hasta que se desprenda.



CUIDADO

Compruebe que el cable situado entre el cuerpo y la empuñadura no se haya estropeado.

⚠ ADVERTENCIA

El equipo contiene baterías de iones de litio recargables. Según las regulaciones federales y estatales, se requiere la retirada y eliminación adecuada de las baterías de iones de litio.

Tenga en cuenta la siguiente información sobre el SELLO RBRC™.



SELLO RBRC™

El sello RBRC™ (Corporación de Reciclaje de Baterías Reciclables) en el LI-ION (o paquete de baterías) indica que KÄRCHER.RBRC™, en cooperación con KÄRCHER y otros usuarios de baterías, ya ha pagado los costes derivados del reciclaje de la batería (o paquete de baterías) al final de su vida útil, ha creado programas en los Estados Unidos para facilitar la recogida de LI-ION gastadas. Ayude a proteger nuestro medio ambiente y a conservar los recursos naturales devolviendo las baterías LI-ION gastadas a un centro de servicio técnico KÄRCHER autorizado o a su distribuidor local para el reciclado. También puede ponerse en contacto con su centro de reciclaje local para informarse de los lugares en los que puede entregar la batería gastada. RBRC™ es una marca registrada de la Corporación de Reciclaje de Baterías Reciclables.

Nota

La batería del equipo no es reemplazable.

Nota

La desconexión de la batería destruirá el equipo e invalidará la garantía.

- ➔ La batería debería retirarse del equipo antes de su eliminación.
- ➔ El reciclaje es posible puesto que los equipos KÄRCHER están fabricados con materiales reciclables de alta calificación.
- ➔ Reciclaje o eliminación de la batería de acuerdo con las regulaciones u ordenanzas locales.

MANUEL OPERATEUR NETTOYEUR DE SOL

MANUEL OPERATEUR NETTOYEUR DE SOL	48
CONSIGNES DE SÉCURITÉ IMPORTANTES	49
LIRE TOUTES LES INSTRUCTIONS AVANT D'UTILISER LE PRODUIT	49
CONSERVER CES CONSIGNES	51
GÉNÉRALITÉS	55
INSTRUCTIONS DE MONTAGE	56
MODE D'EMPLOI	57
INSTRUCTIONS D'ENTRETIEN ET DE MAINTENANCE	65
DÉPANNAGE	68
INFORMATIONS D'ÉLIMINATION	71

CONSIGNES DE SÉCURITÉ IMPORTANTES

Respecter, lors de l'utilisation de l'appareil, les précautions de base, y compris les suivantes :

LIRE TOUTES LES INSTRUCTIONS AVANT D'UTILISER LE PRODUIT

À usage domestique seulement!

⚠ **AVERTISSEMENT**

Afin de réduire les risques d'incendie, d'électrocution et de blessures, prendre les précautions suivantes :

- Débrancher l'appareil lorsqu'il n'est pas utilisé et avant de procéder à l'entretien.

⚠ **AVERTISSEMENT**

Pour réduire les risques de choc électrique:

- Ne pas permettre une utilisation comme jouet. Ne jamais le laisser sans surveillance attentive lorsqu'il est utilisé par ou à proximité d'enfants.
- Ne pas laisser l'appareil sous la pluie. Le stocker à l'intérieur.

- Respecter impérativement les consignes d'utilisation de ce manuel. Utiliser uniquement les accessoires recommandés par le fabricant.
- Ne pas l'utiliser si le cordon de sortie ou la fiche du chargeur de batterie sont endommagés. Si l'appareil ne fonctionne pas correctement, est tombé, endommagé, a été laissé à l'extérieur ou est tombé dans l'eau, veuillez contacter notre groupe de service à la clientèle en composant le 1 800-537-4129. Sélectionnez les invites pour les services de garantie.
- Ne pas tirer ou porter l'appareil par le cordon du chargeur à batterie, ne pas utiliser le cordon du chargeur à batterie comme poignée, ne pas coincer le cordon du chargeur à batterie dans une porte fermée, ne pas tirer le cordon du chargeur à batterie sur des bords ou coins acérés. Ne pas faire rouler l'appareil sur le cordon de sortie du chargeur de batterie. Tenir le cordon de sortie du chargeur de batterie éloigné des surfaces chauffées.
- Les réparations doivent être effectuées uniquement par un technicien autorisé, conformément aux normes de sécurité nationales et locales. Les réparations effectuées par des personnes non qualifiées pourraient causer des blessures ou endommager l'appareil.
- La tension indiquée sur la plaque signalétique doit correspondre à la tension d'alimentation.

- Ne pas modifier, ni tenter de réparer l'appareil ou l'accumulateur (le cas échéant) autrement qu'indiqué dans les instructions d'utilisation et d'entretien.
- Ne pas débrancher en tirant sur le cordon de sortie du chargeur de batterie. Saisir la fiche pour la débrancher.
- Ne pas manipuler le chargeur de batterie ou l'appareil avec les mains humides.
- Faire particulièrement attention lors du nettoyage d'escaliers.
- Ne jamais remplir de solvant, liquide contenant du solvant, ni d'acide non dilué (p.ex. détergents non approuvés par KÄRCHER, essence, diluant pour peinture et acétone) dans le réservoir d'eau car ces substances font rouiller les matériaux utilisés dans l'appareil.
- Ne pas placer d'objets dans les ouvertures. Ne pas utiliser avec une ouverture bloquée.
- Ne pas charger l'appareil à l'extérieur.
- Utiliser uniquement le chargeur fourni par le fabricant pour recharger l'appareil.
- Ne pas mettre le dispositif au feu, même s'il est fortement endommagé. Les piles peuvent exploser au feu.
- **Risque de court-circuit !** Ne pas enficher d'objets conducteurs (par ex. tournevis ou équivalent) dans la douille de chargement.
- Le chargement de l'accumulateur n'est permis que avec l'appareil de charge original ci-joint ou avec l'appareil de charge autorisé par Kärcher®.
- Remplacer le chargeur avec le câble de chargement cas d'endommagement immédiatement par des pièces d'origine.
- Dans des conditions excessives, du liquide peut être projeté de l'accumulateur ; éviter tout contact. En cas de contact accidentel, rincer à l'eau. En cas de contact du liquide avec les yeux, consulter un médecin. Le liquide projeté de l'accumulateur peut provoquer des irritations ou des brûlures.
- Ne pas utiliser l'accumulateur ni l'appareil s'ils sont endommagés ou modifiés. Les accumulateurs endommagés ou modifiés peuvent avoir des comportements imprévisibles et entraîner un incendie, une explosion ou des blessures.
- Recharger l'accumulateur uniquement avec le chargeur spécifié par le fabricant. Un chargeur adapté à un type d'accumulateur peut entraîner un risque d'incendie s'il est utilisé avec un autre type d'accumulateur.
- Respecter toutes les instructions concernant la charge et ne pas charger l'accumulateur, ni l'appareil, hors de la plage de températures spécifiée dans les instructions. Une charge non appropriée ou à une température hors de la plage spécifiée peut endommager l'accumulateur et augmenter le risque d'incendie.
- Utiliser et entreposer le chargeur uniquement dans des locaux secs
- Ne pas exposer l'accumulateur ni l'appareil au feu, ni à des températures excessives. L'exposition au feu ou à une température dépassant 265°F (130°C) peut provoquer une explosion.
- Stocker et utiliser le chargeur uniquement dans des locaux secs, à

- température ambiante 41 - 104°F (5 - 40°C)
- Stockez et utilisez l'appareil à des températures ambiante 32 - 104°F (0 - 40 °C).
- La batterie a été contrôlé dans le respect des directives qui s'appliquent pour le transport international et peut être transporté / expédié.
- Ne jamais immerger l'appareil dans de l'eau ou un autre liquide.
- Ne jamais utiliser l'appareil dans des bassins contenant de l'eau.
- Ne pas réaliser la maintenance de l'appareil tant qu'il est branché.
- Ne pas nettoyer au-dessus de prises électriques de sol.
- Assurer la stabilité de l'appareil avant tout travail sur ou avec lui pour éviter les accidents et dommages.
- Veiller à ne pas approcher les cheveux, vêtements larges, doigts ou toute autre partie du corps des orifices et composants mobiles de l'appareil.
- Protéger ses mains lors du nettoyage de la tête d'aspiration en raison du risque de blessures causées par la projection d'objets tranchants (p. ex. éclats).
- Ne pas utiliser l'appareil dans des atmosphères explosives.
- Ne pas obstruer les fentes d'aération sur l'appareil.
- Ne pas remplir le réservoir d'eau propre avec de l'acide acétique, du détartrant, des huiles essentielles ou d'autres substances similaires. Veiller également à ne pas aspirer ces substances.
- Utiliser l'appareil exclusivement sur des sols durs scellés (p.ex. parquet vernis, carrelage émaillé, linoléum).

- Stocker l'appareil à l'intérieur dans un endroit frais et sec.
- Porter l'appareil exclusivement par la poignée de transport.
- Ne pas utiliser l'appareil pour ramasser des objets acérés ou volumineux (p.ex. des tessons, cailloux, pièces de jouets).
- Ne pas utiliser l'appareil pour le nettoyage de tapis ou de moquettes.
- Ne pas utiliser l'appareil sur les aérations de sol des radiateurs à convection. L'appareil ne peut pas absorber l'eau provenant des aérations ci-dessus.
- Ne pas trop remplir le réservoir. Ne pas dépasser le niveau de remplissage maximum.
- N'allumer l'appareil qu'après avoir fixé le réservoir d'eau propre et le bac d'eau sale.
- Ne pas faire fonctionner l'appareil trop longtemps au même endroit car cela peut endommager le sol.

PROP 65 AVERTISSEMENT



Ce produit peut contenir un ou plusieurs produits chimiques reconnus dans l'état de Californie comme potentiels déclencheurs de cancer, d'anomalies congénitales ou d'autres lésions de l'appareil reproducteur.

Se laver les mains après la manipulation.

**CONSERVER
CES CONSIGNES**

Symboles d'alerte de sécurité

⚠ DANGER

Signale la présence d'un danger imminent entraînant de graves blessures corporelles et pouvant avoir une issue mortelle.

⚠ AVERTISSEMENT

Signale la présence d'une situation éventuellement dangereuse pouvant entraîner de graves blessures corporelles et même avoir une issue mortelle.

⚠ PRÉCAUTION

Remarque relative à une situation potentiellement dangereuse pouvant entraîner des blessures légères.

ATTENTION

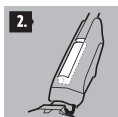
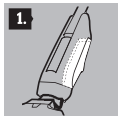
Remarque relative à une situation éventuellement dangereuse pouvant entraîner des dommages matériels.

Symboles sur l'appareil

ATTENTION

Ne pas dépasser la ligne de remplissage MAX sur le bac d'eau sale pour éviter tout débordement.

⚠ ATTENTION! Veuillez respecter le procédé suivant :



1.
S'assurer que le bac d'eau sale est vide.

2.
Remplir le réservoir d'eau propre sans dépasser le niveau MAX pour éviter tout débordement.

Utilisation conforme

- Cet appareil est conçu pour le nettoyage de sols durs scellés, pour les utilisations ménagères uniquement.
- Ne pas nettoyer de sols non scellés tels que les sols en liège non traités (l'humidité pourrait pénétrer et endommager le sol).
- L'appareil est adapté pour le nettoyage du PVC, du linoléum, du carrelage, de la pierre, du parquet huilé et ciré, du stratifié et de tous les revêtements de sol scellés.

Toute utilisation sortant du cadre donné est considérée comme non conforme. Le constructeur décline toute responsabilité pour des dommages en résultant, seul l'utilisateur en assume le risque.

Responsabilité du propriétaire/de l'utilisateur

Avant d'utiliser cet appareil, le propriétaire et/ou l'utilisateur doit impérativement avoir pris connaissance des consignes d'utilisation et mises en garde du fabricant.

Il est nécessaire d'insister sur les avertissements et de les comprendre.

Si l'utilisateur ne parle pas couramment l'anglais, l'acheteur/le propriétaire doit lire les consignes et mises en garde du fabricant avec l'utilisateur dans la langue maternelle de ce dernier et s'assurer qu'il en comprend bien le contenu.

Le propriétaire et/ou l'utilisateur doit se familiariser avec les consignes du fabricant et les conserver afin de pouvoir s'y référer ultérieurement.

Service à la clientèle

Enregistrement

Pour obtenir une réponse à toute question ou de l'aide pour tout problème, votre appareil doit être enregistré.

Vous pouvez enregistrer votre appareil sur www.karcher-register.com s'il est situé aux États-Unis, sur www.karcher.ca s'il est situé au Canada, ou sur www.karcher.com/mx s'il est situé au Mexique.

Garantie

Dans le cas d'une réclamation sous garantie, vous pouvez contacter le service à la clientèle. Veuillez utiliser les coordonnées ci-dessous pour les États-Unis, le Canada ou le Mexique. Vous DEVEZ fournir votre preuve d'achat pour déposer une réclamation sous garantie par courriel, téléphone ou fax.

Service à la clientèle — États-Unis

Vous pouvez contacter notre service à la clientèle par téléphone, au **1-800-537-4129**, ou par l'intermédiaire du site web, sous www.karcher-help.com.

Service à la clientèle — Mexique

Vous pouvez contacter notre service à la clientèle par téléphone, au **01-800-024-13-13**, ou par l'intermédiaire du site web, sous www.karcher.com/mx.

Service à la clientèle — Canada

Vous pouvez contacter notre service à la clientèle par téléphone, au **1-800-465-4980**, ou par l'intermédiaire du site web, sous www.karcher.com/ca.

Caractéristiques techniques

Branchement électrique

Tension nominale accumulateur	25,2 V
Degré de protection	IPX4
Appareil	III
Classe de protection	
Classe de protection du chargeur	II
Puissance nominale de l'appareil	165 W
Type d'accumulateur	Li-Ion
Durée de service avec charge d'accumulateur totale	env. 20 min
Temps de charge d'un accumulateur vide	4 h
Tension de sortie du chargeur	30 V
Courant de sortie du chargeur	0,6 A

Performances

Rotations des rouleaux par minute	500 tr/min
-----------------------------------	------------

Contenance

Réservoir d'eau propre	13.5 oz (0.4 l)
Station de nettoyage	6.7 oz (0.2 l)

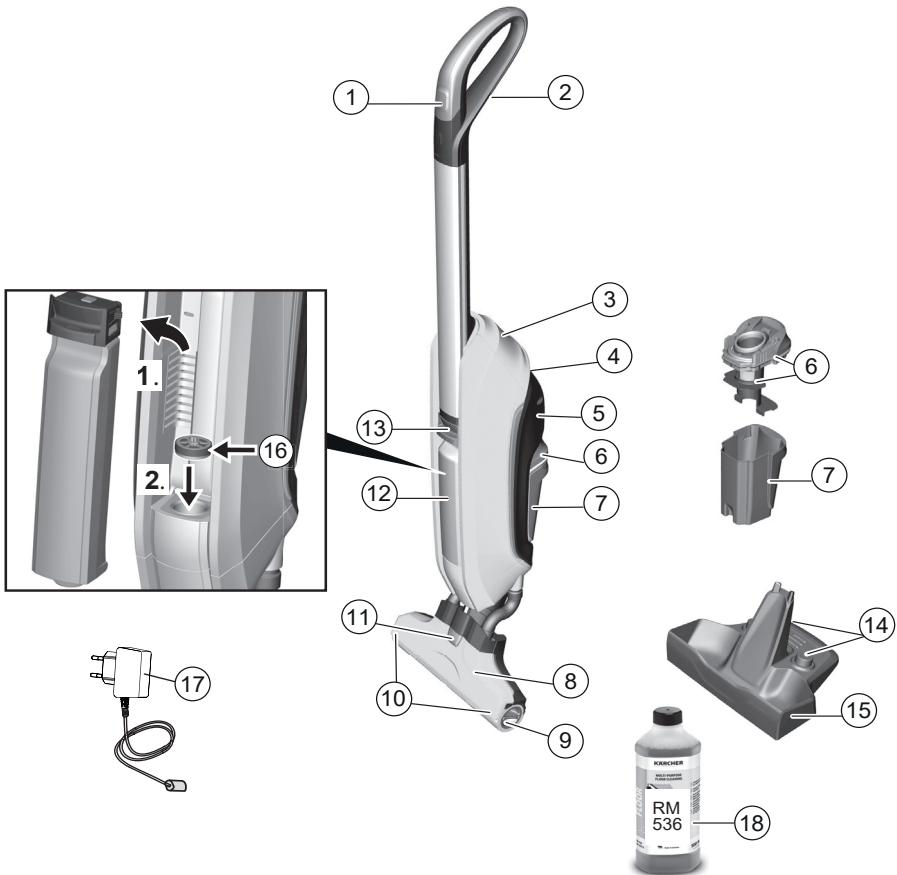
Dimensions

Poids (sans accessoires et détergents)	9.7 lbs (4.4 kg)
Longueur	12.603 in (20 mm)
Largeur	10.63 in (270 mm)
Hauteur	48.03 in (1220 mm)
Longueur de câble Chargeur	59.06 in (1500 mm)
N° de pièce	1.055-606.0

Sous réserve de modifications techniques !

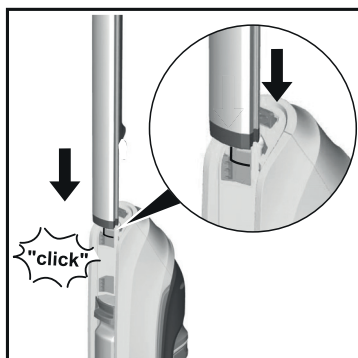
GÉNÉRALITÉS

- | | | | |
|---|--|----|---|
| 1 | Interrupteur Marche/Arrêt | 10 | Rouleaux de nettoyage |
| 2 | Poignée | 11 | Verrouillage de la tête d'aspiration |
| 3 | Indicateur d'accu | 12 | Réservoir d'eau propre |
| 4 | Poignée de transport | 13 | Poignée du réservoir d'eau propre |
| 5 | Prise de chargeur | 14 | Rangement des rouleaux |
| 6 | Couvercle du bac d'eau sale/séparateur | 15 | Station de rangement |
| 7 | Réservoir d'eau sale | 16 | Élément d'un filtre |
| 8 | Capot de la tête d'aspiration | 17 | Appareil de charge avec câble de charge |
| 9 | Poignée encastrée rouleau de nettoyage | 18 | Produit détergent RM 536 500 ml |



INSTRUCTIONS DE MONTAGE

- Insérer la poignée assez loin dans l'appareil de base jusqu'à l'audition d'un clic.



MODE D'EMPLOI

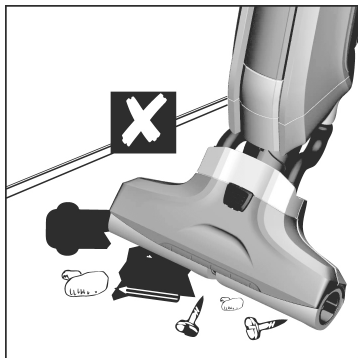
Information générale de fonctionnement

ATTENTION

Utiliser l'appareil exclusivement pour absorber des salissures et des fluides (max. 8.5 oz / 0,25 L).



- Avant le nettoyage, débarrasser le sol des objets volumineux pouvant endommager l'appareil.



- Contrôler, avant l'utilisation, la résistance à l'eau dans des zones sensibles. Ne pas nettoyer de sols non scellés tels que les sols en liège non traités ou l'humidité pourrait pénétrer en endommager le sol.
- Maintenir l'appareil à un angle d'environ 60 degrés.

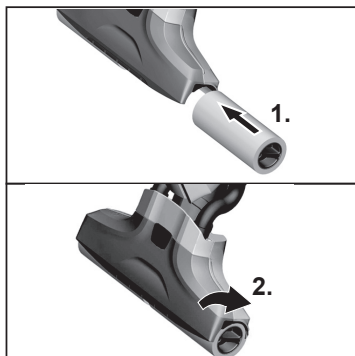
- Nettoyer le sol en déplaçant l'appareil d'avant en arrière, comme un aspirateur, jusqu'à ce que le sol soit propre.

Remarque

- Pour éviter les rayures, testez l'appareil sur un endroit peu visible avant toute utilisation sur des surfaces fragiles, p. ex. bois ou céramique.
- Ne restez pas sur place, mais toujours en mouvement.
- Respectez les consignes du fabricant du revêtement de sol.

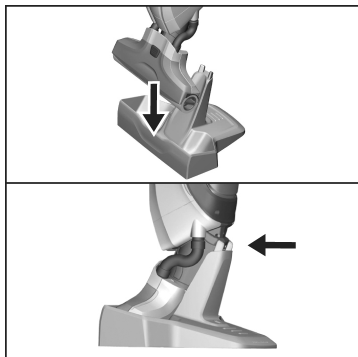
Montage des rouleaux

- Visser les rouleaux de nettoyage sur le porte-rouleaux jusqu'en butée.
- Tenir compte de l'affectation des couleurs figurant à l'intérieur des rouleaux et sur le porte-rouleaux de l'appareil (p. ex. le bleu avec le bleu).
- Après le montage, vérifier si les rouleaux de nettoyage sont bien installés.

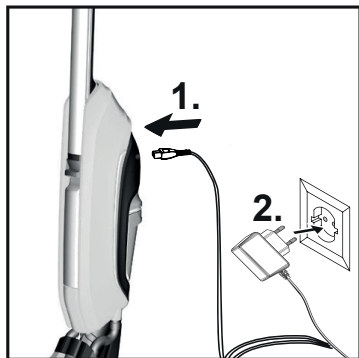


Processus de charge

- Ranger l'appareil dans la station de rangement lorsqu'il n'est pas utilisé.



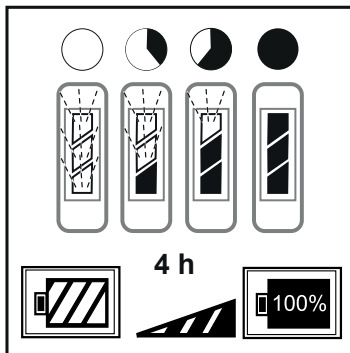
- Brancher le câble du chargeur sur la prise du chargeur de l'appareil.
- Brancher la fiche secteur du chargeur dans la prise.



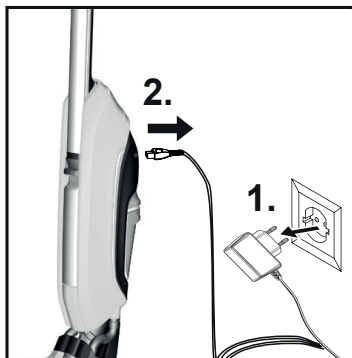
- Les témoins de contrôle LED indiquent l'état de chargement actuel de la batterie.
- Pendant le chargement de la batterie complètement déchargée, les 3 témoins de contrôle LED clignotent successivement de bas en haut.
- Pendant la recharge de la batterie au 1/3 déchargée, la LED inférieure reste allumée, les deux LED supérieures continuent de clignoter.
- Pendant la recharge de la batterie au 2/3 déchargée, les deux LED in-

férieures restent allumées, la LED supérieure continue de clignoter.

- Lorsque la batterie est entièrement rechargée, les 3 témoins lumineux LED restent allumés pendant 60 minutes. Après ce délai, les témoins lumineux LED s'éteignent.



- À l'issue de la recharge, débrancher la fiche secteur de la prise de courant et le câble de charge de la prise du chargeur.

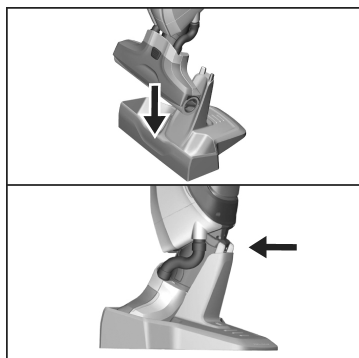


Remplir le réservoir d'eau fraîche

ATTENTION

Ranger l'appareil dans la station de rangement lorsqu'il n'est pas utilisé.
Un manque de stabilité peut faire basculer l'appareil, entraîner une fuite et endommager le sol.

→ Ranger l'appareil dans la station de rangement lorsqu'il n'est pas utilisé.



→ Retirer le réservoir d'eau propre.



ATTENTION

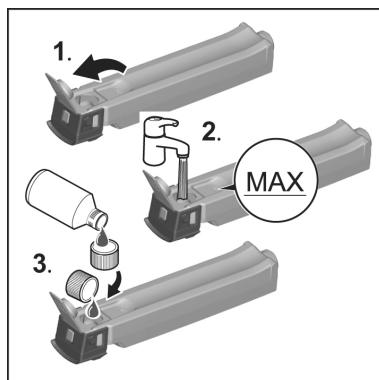
* Respecter les instructions de dosage indiquées sur le détergent.

- 1 Ouvrir le verrouillage du réservoir d'eau propre.
- 2 Remplir le réservoir d'eau propre avec de l'eau potable froide ou tiède.

Ne pas dépasser la ligne de remplissage « MAX ».

- 3 Il est possible d'ajouter les détergents KÄRCHER dans le réservoir d'eau propre, si besoin.*
Voir le chapitre Utilisation de détergents.

→ Fermer le couvercle du réservoir.



→ insérer le réservoir d'eau propre jusqu'à entendre un clic.



Fonctionnement de l'appareil

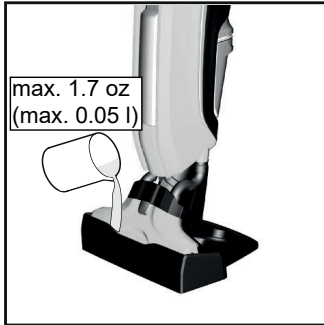
PRÉCAUTION

Les rouleaux de nettoyage commencent à tourner dès la mise sous tension de l'appareil. Maintenir la poignée pour empêcher l'appareil d'avancer de lui-même.

ATTENTION

Ne pas utiliser l'appareil sans eau. S'assurer, avant le fonctionnement, que le réservoir d'eau propre est rempli et que le bac d'eau sale est vide.

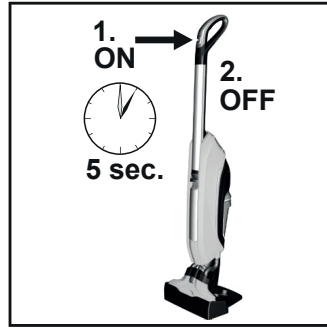
→ Pour humidifier plus rapidement les rouleaux, utiliser un gobelet de mesure pour remplir la station de rangement de 1.7 oz (0,05 l) d'eau douce.



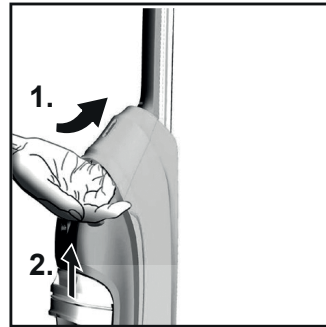
→ Appuyer sur la touche On/Off pour ALLUMER l'appareil et le placer 5 secondes dans la station de rangement.

L'appareil a alors le bon niveau d'humidité pour le nettoyage.

→ Appuyer sur la touche on/off pour COUPER l'appareil.



→ Retirer l'appareil de la station de rangement et le poser au sol.

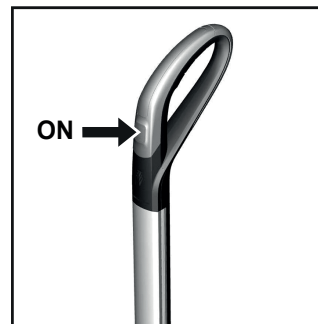


→ Maintenir fermement l'appareil par la poignée.

→ Appuyer sur la touche on/off pour ALLUMER l'appareil.

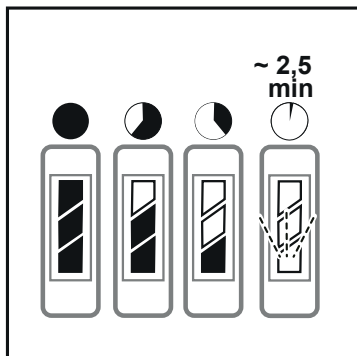
Remarque

- Appuyer brièvement sur l'interrupteur ON.
- Après env. 1 à 2 secondes, les rouleaux commencent à tourner et l'appareil est prêt à fonctionner.



Autonomie de la batterie

- 3 LED allumées - 3/3 d'autonomie de la batterie (durée de marche maximum).
- 2 LED allumées - 2/3 d'autonomie de la batterie.
- 1 LED allumée - 1/3 d'autonomie de la batterie.



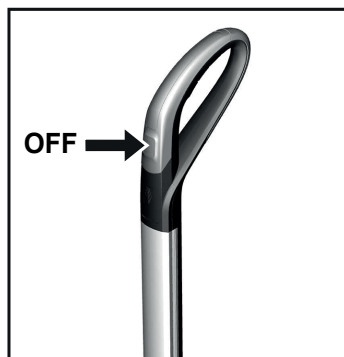
- 5 minutes avant la fin de la durée de marche, les rouleaux donnent un signal par des vitesses de rotation modifiées.
 - Environ 2,5 minutes avant que la batterie ne soit vide, la LED inférieure clignote.
 - 1,5 minute avant la fin de la durée de marche, l'appareil s'éteint.
 - En remettant en marche, on peut utiliser la minute et demi qui reste pour nettoyer l'appareil dans la station.
- Cf. le chapitre « Nettoyage de l'appareil par un processus rinçage ».*
- Une fois que la batterie est vide et que l'appareil s'est éteint, la LED inférieure clignote encore pendant 10 secondes.

Lorsqu'il n'est pas en fonctionnement

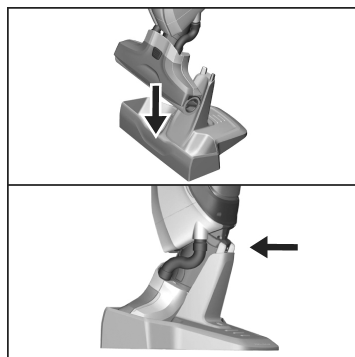
ATTENTION

Ranger l'appareil dans la station de rangement lorsqu'il n'est pas utilisé. Un manque de stabilité peut faire basculer l'appareil, entraîner une fuite et endommager le sol.

- Appuyer sur la touche on/off pour COUPER l'appareil.



- Placer l'appareil dans la station de rangement.



Ajout de détergent

ATTENTION

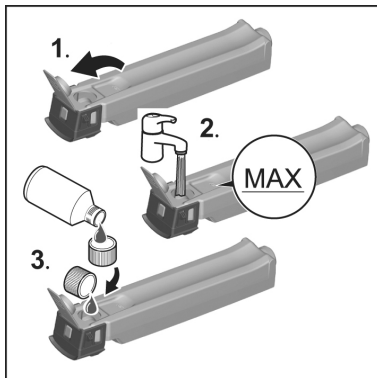
Avant de remplir le réservoir d'eau propre, vider le bac d'eau sale, pour éviter tout débordement.

Cf. le chapitre « Vidage du bac d'eau sale ».

→ Retirer le réservoir d'eau propre.



- 1 Retirer le capuchon de fermeture du réservoir.
- 2 Remplir le réservoir d'eau propre à l'eau potable froide ou tiède. Ne pas dépasser la ligne de remplissage « MAX ».
- 3 Il est possible d'ajouter les détergents KÄRCHER dans le réservoir d'eau propre, si besoin.* Voir le chapitre Utilisation de détergents.



- Fermer le couvercle du réservoir.
- insérer le réservoir d'eau propre jusqu'à entendre un clic.

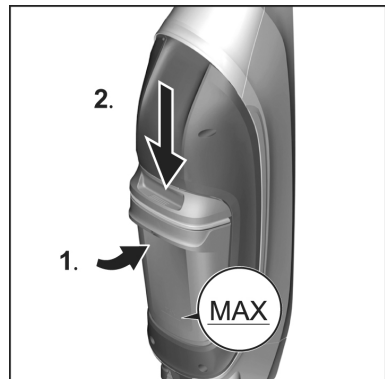


Vidage du réservoir d'eau sale

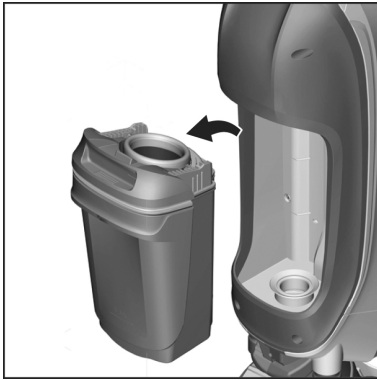
ATTENTION

Une fois le nettoyage terminé, nettoyer l'appareil avec le cycle de rinçage. Voir « Nettoyage de l'appareil »

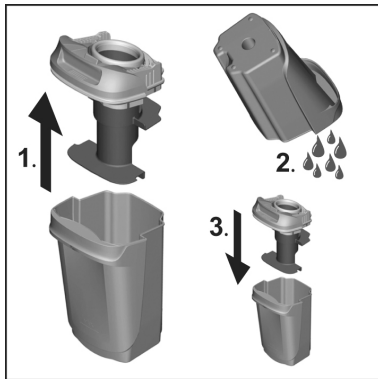
- Pour retirer le bac d'eau sale, appuyer sur le couvercle supérieur en le tirant.



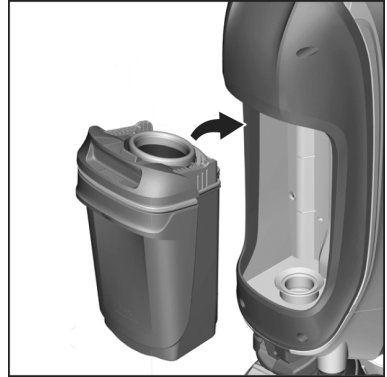
→ Enlever le bac d'eau sale.



- 1 Retirer le couvercle du bac d'eau sale.
- 2 Vider le bac d'eau sale et le rincer à l'eau potable.
- 3 Pour bloquer le couvercle, le poser sur le bac d'eau sale et le presser jusqu'à ce qu'il s'enclenche.



→ Insérer le bac d'eau sale dans l'appareil jusqu'à ce qu'il s'enclenche.



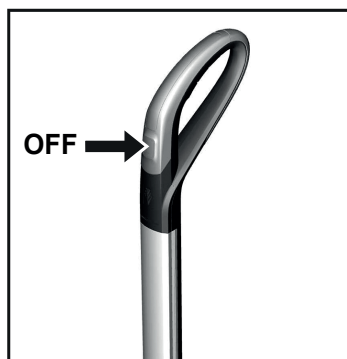
Appuyer sur la touche on/off pour COUPER la puissance.

ATTENTION

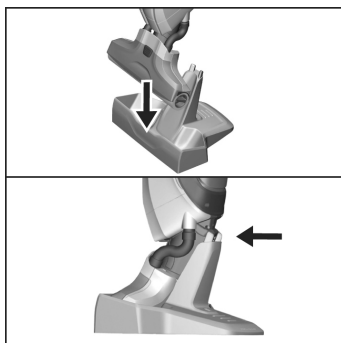
Nettoyage de l'appareil par un processus de rinçage une fois les travaux terminés.

Cf. le chapitre « Nettoyage de l'appareil par un processus rinçage ».

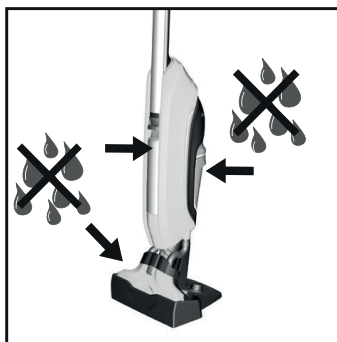
→ Appuyer sur la touche on/off pour COUPER l'appareil.



→ Placer l'appareil dans la station de rangement.



→ Vider le réservoir d'eau propre et le bac d'eau sale.



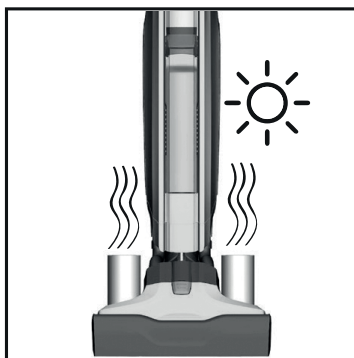
→ Vidange du réservoir d'eau sale.
Cf. le chapitre « Vidage du bac d'eau sale ».

Rangement de l'appareil

ATTENTION

Pour éviter les odeurs, vider et rincer l'eau douce et le bac d'eau sale avant le rangement.

- Déplacer l'appareil par la poignée et le ranger dans la station de rangement.
- Placer les rouleaux humides sur la station de parking pour les faire sécher.



→ Stocker l'appareil à l'intérieur à un endroit frais et sec.

INSTRUCTIONS D'ENTRETIEN ET DE MAINTENANCE

Nettoyage de l'appareil

ATTENTION

Rincer l'appareil à l'eau douce dans la station de rangement après son utilisation.

- Appuyer sur la touche on/off pour COUPER l'appareil.
- Placer l'appareil dans la station de rangement.

→ Vider le liquide restant dans le réservoir d'eau propre.

1 Vidange du réservoir d'eau sale.

Cf. le chapitre « Vidage du bac d'eau sale ».

2 Remettre le bac d'eau sale en place.

3 Remplir le gobelet de mesure de 6.7 oz (0,2 l) d'eau.

Remplir la station de rangement d'eau.

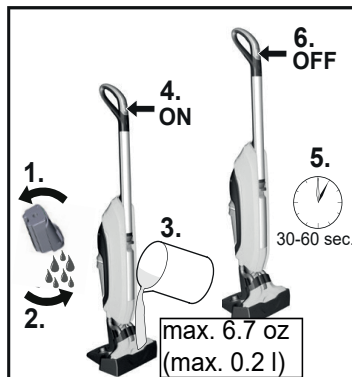
Si besoin, ajouter des détergents KÄRCHER adaptés

4 Appuyer sur la touche on/off pour ALLUMER l'appareil.

5 Laisser fonctionner l'appareil pendant 30-60 secondes jusqu'à ce que l'eau soit complètement évacuée de la station de rangement.

Le processus de rinçage est à présent terminé.

6 Appuyer sur la touche on/off pour COUPER l'appareil.



Remarque

Laisser fonctionner l'appareil pour réduire le taux d'humidité dans les rouleaux.

- Vider le réservoir d'eau propre et le bac d'eau sale. Voir les chapitres « Vider le réservoir d'eau propre » ou « Vider le bac d'eau sale »

Nettoyage des rouleaux

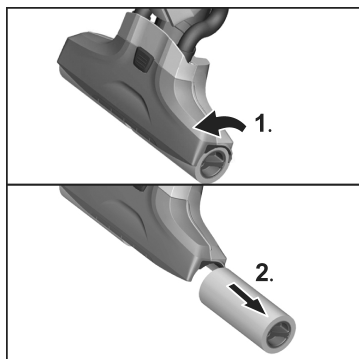
ATTENTION

Pour empêcher les fuites de liquide hors des réservoirs, vider le réservoir d'eau propre et le bac d'eau sale avant de poser l'appareil sur le sol.

Remarque

Si les rouleaux sont très sales, les retirer de l'appareil et les nettoyer.

- Appuyer sur la touche on/off pour COUPER l'appareil.
- Vider le réservoir d'eau propre et le bac d'eau sale. Voir les chapitres « Vider le réservoir d'eau propre » et « Vider le bac d'eau sale »
- Retirer les rouleaux de nettoyage.



- Nettoyer les rouleaux sous l'eau courante.
- ou
- Laver les rouleaux à la machine jusqu'à 140 °F (60 °C).

ATTENTION

Pour éviter d'endommager le lave-linge, nous vous recommandons de placer les rouleaux dans un filet à linge et d'ajouter du linge à laver dans la machine.

ATTENTION

Ne pas utiliser d'adoucisseur en cas de nettoyage dans la machine à laver. Ainsi, les microfibrilles ne seront pas endommagées et les rouleaux de nettoyage conservent leur effet élevé de nettoyage.

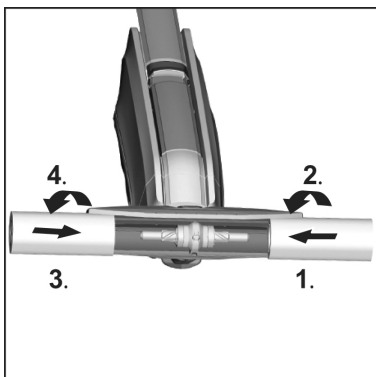
Les rouleaux de nettoyage ne peuvent pas passer au sèche-linge.

- À l'issue du nettoyage, placer les rouleaux sur la station de parking et les laisser sécher à l'air.

Remarque

Une réduction de la durée de séchage est possible en essorant les rouleaux au préalable.

- Visser les rouleaux de nettoyage à fond



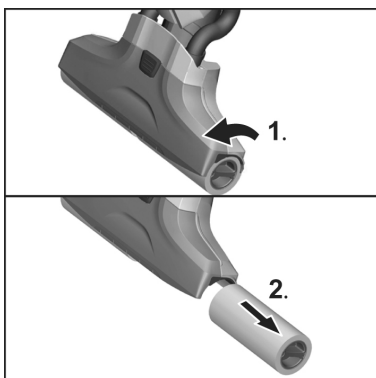
- Respecter les codes couleur entre le rouleau et le manche (p.ex. raccorder le bleu au bleu) et s'assurer que les rouleaux sont bloqués.

Nettoyage de la tête d'aspiration

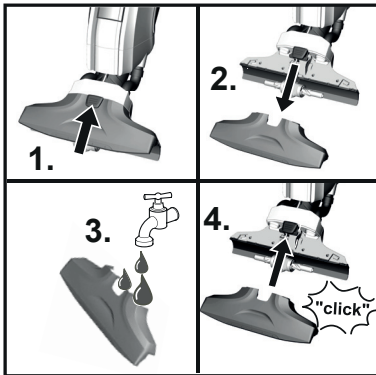
ATTENTION

Pour éviter les problèmes de performance, nettoyer l'appareil en cas de présence de gros résidus. En fonctionnement, ces débris entraîneraient des claquements ou bloqueraient les tuyaux d'aspiration, réduisant ainsi la puissance d'aspiration.

- Appuyer sur la touche on/off pour COUPER l'appareil.
- Retirer les rouleaux de nettoyage. Cf. le chapitre « Nettoyage des rouleaux ».



- 1 Appuyer sur le verrouillage de la tête d'aspiration.
- 2 Retirer le couvercle de la tête d'aspiration.
- 3 Nettoyer le capot de la tête d'aspiration sous l'eau courante.
Si besoin, retirer les dépôts de particules des tuyaux d'aspiration et les fentes dans le capot de la tête d'aspiration.
Nettoyer la tête d'aspiration de l'appareil avec un chiffon humide.
- 4 Fixer le couvercle de la tête d'aspiration sur la tête d'aspiration.



Remarque

Le couvercle de la tête d'aspiration doit s'enclencher audiblement à la tête d'aspiration lors de la fixation.

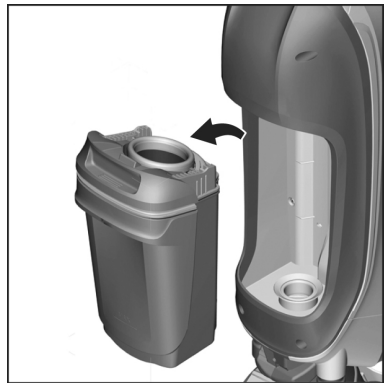
- Visser à fond les rouleaux de nettoyage sur la tige filetée.
Cf. le chapitre « Nettoyage des rouleaux ».

Nettoyage du bac d'eau sale

ATTENTION

Nettoyer régulièrement le bac d'eau sale pour éviter tout blocage vers la séparation et empêcher les salissures de s'accumuler dans le réservoir.

- Appuyer sur la touche on/off pour COUPER l'appareil.
- Placer l'appareil dans la station de rangement.
- Enlever le bac d'eau sale.
Cf. le chapitre « Vidage du bac d'eau sale ».



- Nettoyer le couvercle du bac d'eau sale et du réservoir à l'eau potable.



Remarque

Le bac d'eau sale peut également être nettoyé dans le lave-vaisselle.

- Après le nettoyage, fixer le couvercle et insérer le bac d'eau sale dans l'appareil.

Utilisation de détergents

ATTENTION

Les détergents contenant de l'eau de javel, de l'ammoniac ou d'autres substances corrosives ne sont pas autorisés dans cette machine.

L'utilisation de détergents non adaptés peut endommager le dispositif et annuler la garantie.

Remarque

Ajouter des KÄRCHER détergents conformément au besoin.

- Pour doser le détergent, suivre les instructions du fabricant.
- Pour éviter la formation de mousse, remplir le réservoir d'eau propre en eau, puis ajouter le détergent.
- Pour éviter le trop-plein, laisser de la place pour le détergent lors du remplissage en eau.

DÉPANNAGE

⚠ DANGER

Avant de travailler sur l'appareil, éteignez-le et débranchez le chargeur de batterie.

Les défauts sont souvent simples et peuvent être résolus à l'aide des normes suivantes. Si le défaut n'apparaît pas dans la liste, contacter le service après-vente.

La batterie ne charge pas.

- La prise du chargeur/la fiche secteur ne sont pas branchées correctement.
- Brancher correctement la prise du chargeur/fiche secteur.

Impossible d'allumer l'appareil

- La batterie est vide.
- Recharger l'appareil.
- Vérifier si le câble de charge est encore branché à l'appareil.
- Débrancher le câble de charge car l'appareil ne fonctionne pas s'il est branché.

Messages d'erreur via les LED

La LED inférieure clignote lorsque l'appareil est activé, et il ne se met pas en marche.

- L'accumulateur est vide
 - Recharger l'appareil.
- Toutes les LED clignotent rapidement en même temps.
- Emploi d'un bloc secteur erroné ou défectueux.
 - Utiliser un bloc secteur d'origine/ remplacer le bloc secteur défectueux.

ou

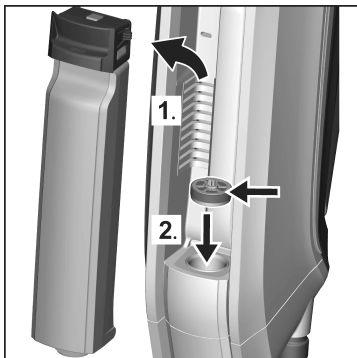
- L'appareil chauffe trop pendant l'application (p. ex. lors d'une utilisation à des températures ambiantes élevées).

- Faire une pause et laisser refroidir l'appareil.
- Si l'appareil se coupe malgré cela :
- Faire une pause et laisser refroidir l'appareil.
- Ne remettre l'appareil sous tension que lorsqu'il a suffisamment refroidi.

Rouleaux non humides

L'élément filtrant n'a pas été inséré.

- Retirer le réservoir d'eau propre et placer l'élément filtrant avec le pion vers le haut.



L'insert de filtre est mis en place dans le mauvais sens.

- Retirer l'élément filtrant et le placer avec le pion vers le haut.

Le tuyau d'aspiration est bloqué.

- Retirer avec précaution le tuyau d'aspiration de la tête d'aspiration.



- Mettre les tuyaux d'aspiration dans de l'eau froide pendant 10 à 20 minutes.
- Nettoyer les tuyaux d'aspiration avec un objet contondant et/ou sous l'eau courante.

Pas de retrait des salissures

Manque d'eau dans le réservoir d'eau propre.

- Remplir le réservoir d'eau propre à l'eau potable froide ou tiède.

Le réservoir d'eau propre n'est pas positionné correctement dans l'appareil.

- insérer le réservoir d'eau propre jusqu'à entendre un clic.

Les rouleaux de nettoyage sont absents ou ne sont pas insérés correctement.

- Fixer les rouleaux de nettoyage ou les tourner sur le manche de rouleau jusqu'à ce qu'ils soient fixés. Cf. le chapitre « Nettoyage des rouleaux ».

Les rouleaux de nettoyage sont sales ou usés.

- Nettoyer les rouleaux de nettoyage.
- ou
- Remplacer les rouleaux de nettoyage.

Les rouleaux ne tournent pas

Les rouleaux sont bloqués.

- Retirer les rouleaux et contrôler si un objet les bloque. Cf. le chapitre « Nettoyage des rouleaux ».

Claquement fort lors de la mise sous tension

Les rouleaux sont trop secs.

- Humidifier les rouleaux avec 1.7 oz (0,05 l) d'eau dans la station de rangement. Cf. le chapitre « Commencer le travail ».

Bruit dans la tête d'aspiration

Des pièces (p. ex. cailloux ou éclats) se trouvent dans la tête d'aspiration.

- Retirer le couvercle de la tête d'aspiration et nettoyer la tête d'aspiration.

Cf. le chapitre « Nettoyage de la tête d'aspiration ».

La puissance d'aspiration diminue

Les canaux d'aspiration et les fentes de la tête d'aspiration sont obturés.

- Retirer le couvercle de la tête d'aspiration et nettoyer la tête d'aspiration.

Cf. le chapitre « Nettoyage de la tête d'aspiration ».

Fuite d'eau sale dans le dispositif

Le bac d'eau sale est trop rempli.

- Vider le bac d'eau sale.

Cf. le chapitre « Nettoyage du bac d'eau sale ».

Le bac d'eau sale n'est pas mis correctement en place.

- Contrôler que le capot est bien fixé sur le bac d'eau sale.

Cf. le chapitre « Nettoyage du bac d'eau sale ».

Le séparateur est bouché.

- Retirer le capot du bac d'eau sale et nettoyer la séparation.

Cf. le chapitre « Nettoyage du bac d'eau sale ».

Le filet filtrant du séparateur du bac d'eau sale a été endommagé lors du nettoyage.

- Remplacer la séparation.

Traces au sol

Le détergent utilisé n'est pas efficace ou mal utilisé.

- Utiliser exclusivement les détergents autorisés par KÄRCHER. Voir le chapitre « Utilisation de détergents ».

- Tenir compte des recommandations de dosage du fabricant.

Première humidification des rouleaux.

- Humidifier entièrement les rouleaux.

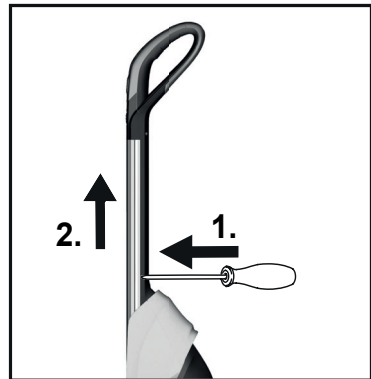
Retrait de la poignée de l'appareil

ATTENTION

Ne pas retirer la poignée de l'appareil lorsqu'il est assemblé.

La poignée ne peut être retirée que pour le transport.

- Insérer un tournevis à un angle de 90 degrés dans la petite ouverture à l'arrière de l'appareil tout en tirant la poignée jusqu'à ce qu'elle sorte.



ATTENTION

S'assurer que le cordon entre le corps et la poignée ne soit pas endommagé.

⚠ **AVERTISSEMENT**

Cet appareil contient des batteries rechargeables au lithium-ion. La mise au rebut et l'élimination correcte des batteries au lithium-ion doit être effectuée selon la réglementation fédérale et nationale en vigueur.

Veuillez tenir compte de l'information RBRC™ SEAL ci-dessous.



LE CACHET RBRC™

Le cachet RBRC™ (Rechargeable Battery Recycling Corporation) sur la batterie LI-ION (ou le bloc de batteries) indique que les coûts de recyclage de la batterie (ou du bloc de batteries) en fin de cycle de vie ont déjà été payés par KÄRCHER.RBRC™ en coopération avec KÄRCHER et autres utilisateurs de batterie et qu'il existe des programmes établis aux Etats-Unis pour le ramassage des batteries li-ion usées. Aidez-nous à protéger l'environnement et conserver les ressources naturelles en retournant la batterie LI-ION usée au centre de service autorisé KÄRCHER ou à votre revendeur local de recyclage. Vous pouvez également contacter votre centre de recyclage local pour savoir où déposer les batteries usées. RBRC™ est une marque déposée de la Rechargeable Battery Recycling Corporation (Société de recyclage des piles rechargeables).

Remarque

La batterie de l'appareil n'est pas remplaçable.

Remarque

Le débranchement de la batterie détériorera l'appareil et annulera la garantie.

- La batterie doit être enlevée de l'appareil avant sa mise au rebut.
- Un recyclage est possible, car les appareils KÄRCHER sont fabriqués avec des matériaux recyclables de grande qualité.
- Recyclez ou éliminez la batterie en appliquant les règlements ou ordonnances locales.



THANK YOU!

MERCI! ¡GRACIAS!



Register your product and benefit from many advantages.

Enregistrer votre produit et bénéficier de nombreux avantages.

Registre su producto y aproveche de muchas ventajas.

www.kaercher.com/welcome



Rate your product and tell us your opinion.

Évaluer votre produit et donner votre opinion.

Reseñe su producto y díganos su opinión.



Kärcher North America Inc.,

6398 N. Kärcher Way

Aurora, CO 80019

Tel: 1-800-537-4129

Kärcher Canada Inc.,

275 Pendant Drive, Mississauga,

Ontario L5T 2SW9 Tel: +1-800-465-4980

Kärcher México S.A. de C.V.,

Circuito Poetas 68.

Col Ciudad Satélite, Naucalpan de Juárez,

Estado de México C.P. 53100, México

Tel: +52-55-2629-4900



www.kaercher.com/service