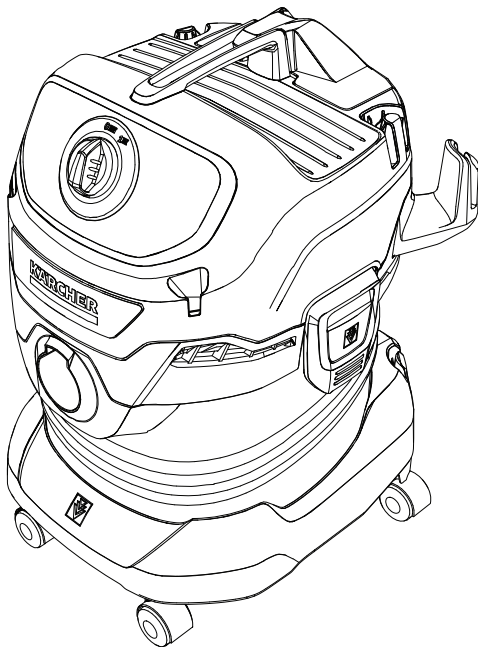


# KÄRCHER

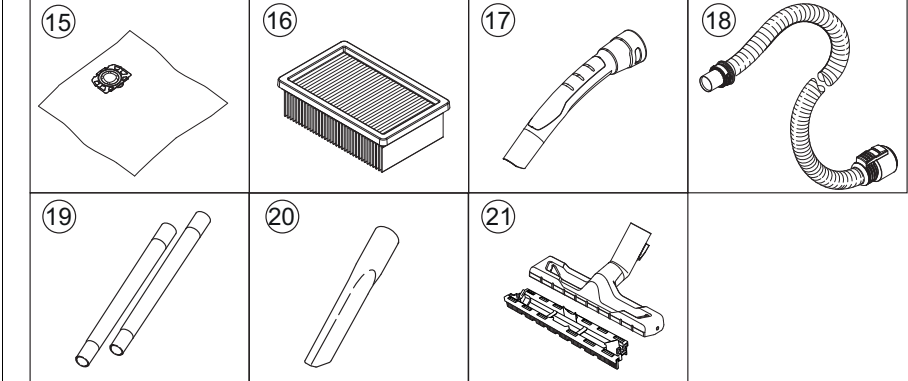
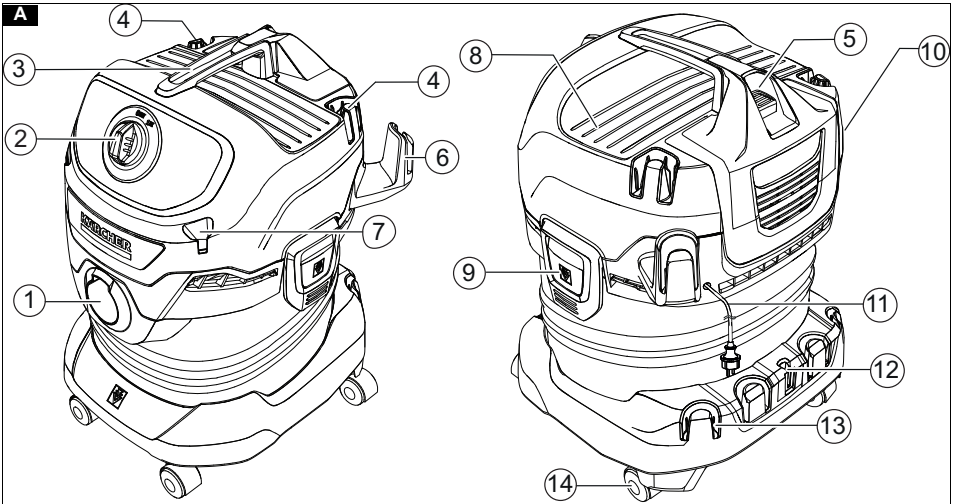
**WD 4 / WD 4 S**  
**KWD 4 / KWD 4 S**

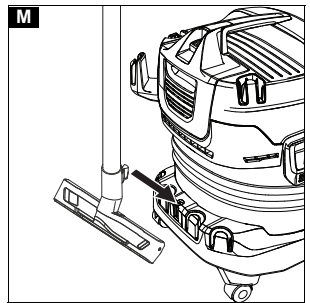
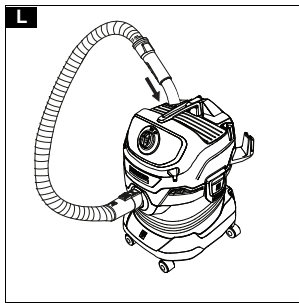
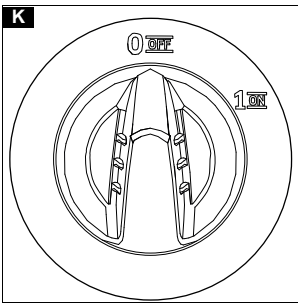
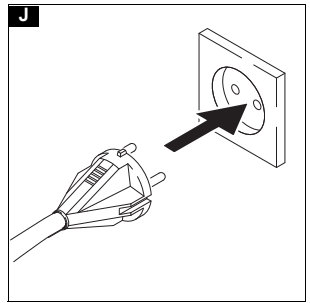
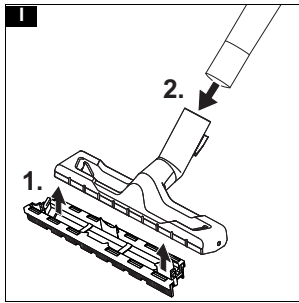
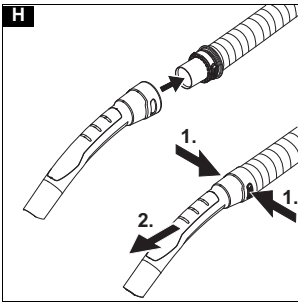
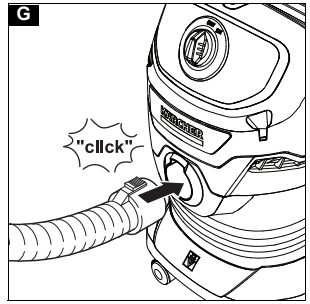
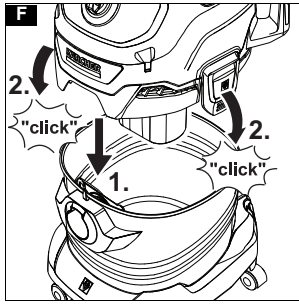
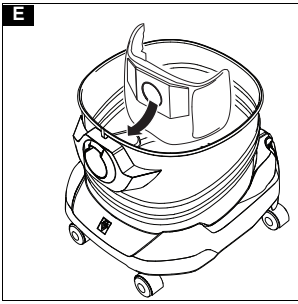
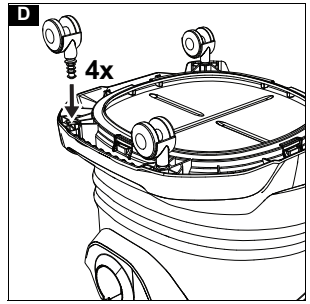
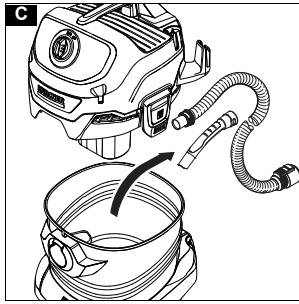
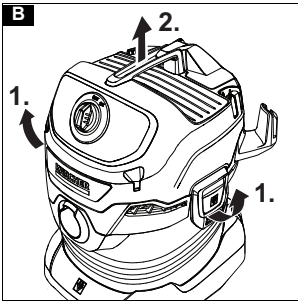


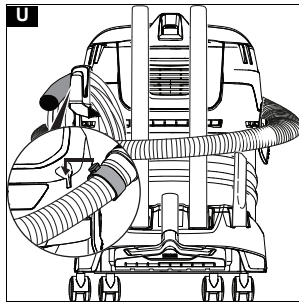
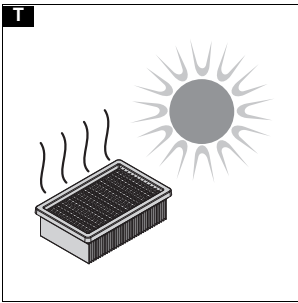
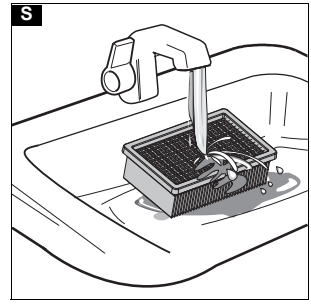
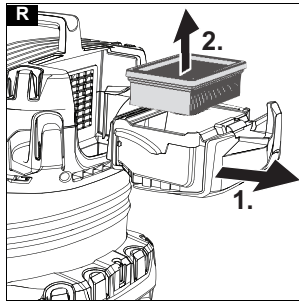
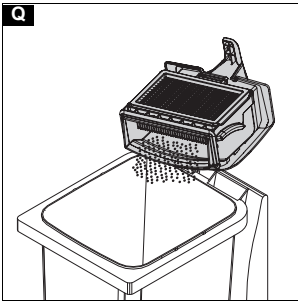
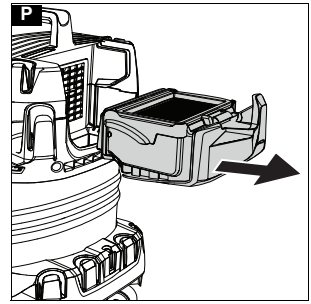
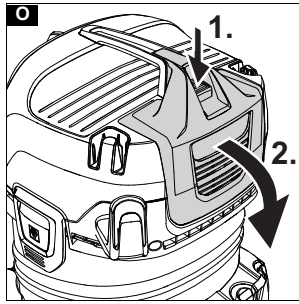
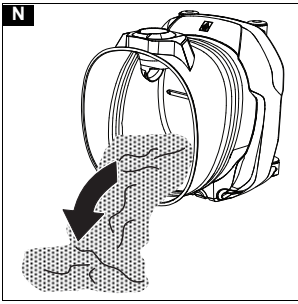
**Register  
your product**  
[www.kaercher.com/welcome](http://www.kaercher.com/welcome)



59510400 (06/21)







## Safety instructions Wet/dry vacuum cleaner



Please read and comply with these original instructions prior to the initial operation of your appliance and store them for later use or subsequent owners.

- In addition to the notes in the operating instructions, you also need to take into consideration the general safety regulations and accident prevention guidelines applicable by law.
- Warnings and information notices attached to the device provide important information for hazard-free operation.

### Hazard levels

#### **⚠ DANGER**

- Indication of an imminent threat of danger that will lead to severe injuries or even death.

#### **⚠ WARNING**

- Indication of a potentially dangerous situation that may lead to severe injuries or even death.

#### **⚠ CAUTION**

- Indication of a potentially dangerous situation that may lead to minor injuries.

#### **ATTENTION**

- Indication of a potentially dangerous situation that may lead to damage to property.

### General safety instructions

**⚠ DANGER** • Risk of asphyxiation. Keep packaging film out of the reach of children.

**⚠ WARNING** • Only use the device for its proper use. Take into account the local conditions and beware of third parties, in particular children, when working with the device. • Persons with reduced physical, sensory or mental capabilities and persons lacking experience and knowledge may only use the appliance if they are properly supervised, have been instructed on use of the appliance safely by a person responsible for their safety, and understand the resultant hazards involved. • Only people who have been instructed on how to use the device, or have proven their ability to operate it, and have been explicitly instructed to use it, must use the device. • Children must not operate the device. • Children from the minimum age of 8 may use the appliance if they are properly supervised or have been instructed in its use by a person responsible for their safety, and if they have understood the resultant hazards involved. • Children must be supervised to prevent them from playing with the appliance. • Children may only perform cleaning work and user maintenance under supervision.

**⚠ CAUTION** • Safety devices are provided for your own protection. Never modify or bypass safety devices.

### Risk of electric shock

**⚠ DANGER** • Only connect the device to alternating current. The voltage indicated on the type plate must match the voltage of the power source. • Never touch the mains plug and socket with wet hands. • Only operate the device via a fault current protection switch (maximum 30 mA). • Do not immerse the device in water.

**⚠ WARNING** • Only connect the device to an electrical connection which has been set up by a quali-

fied electrician as per IEC 60364-1. • Check the power supply cable with mains plug for damage before operation each time. Do not put the device into operation with a damaged power supply cable. Have a damaged power supply cable replaced immediately by the authorised customer service / qualified electrician. • Do not damage the power supply and extension cable by running over it, crushing or yanking it or similar. Protect the power supply cable from heat, oil and sharp edges.

**⚠ CAUTION** • In case of longer breaks in operation and after use, switch off the device at the main switch / device switch and pull the mains plug. • Switch off the device and unplug the mains plug before performing cleaning/maintenance. • When using the device, pull the power supply cable fully out of the device. If the cable is wrapped around the cable hook, you must undo it completely. • Do not carry/transport the device using the power supply cable. • Do not pull the mains plug out the socket using the power supply cable.

### Wet vacuum cleaning

#### **⚠ WARNING**

- In case of any foam formation or escaping liquids, switch off the device immediately and remove the mains plug.

### Operation

#### **⚠ DANGER**

- Operation in explosive atmospheres is prohibited.

- Risk of explosion
- Never use the device to vacuum up combustible gases, liquids or dusts.
- Never use the device to vacuum up reactive metal dusts (e.g. aluminium, magnesium, zinc).
- Never use the device to vacuum up undiluted brine or acids.
- Never use the device to vacuum up any burning or smouldering objects/matter. These substances can corrode the materials in use on the device.

#### **⚠ WARNING**

- Risk of injury. Do not use the nozzle and suction pipe at head height.

#### **⚠ CAUTION**

- Never leave the device unsupervised while it is in operation.
- Accidents or damage due to the device falling over. Before all actions with or on the device, you must make sure that it is stable.

#### **ATTENTION**

- Protect the device from extreme weather conditions, moisture and heat.
- Never use the device without a filter, this can lead to device damage.

### Care and service

#### **⚠ WARNING**

- Switch off the device immediately and remove the mains plug before performing any care and service work.

#### **⚠ CAUTION**

- Have repair work and work on electrical components carried out by the authorised customer service only.

## ATTENTION

- Do not use scouring agents, glass or multi-purpose cleaner for cleaning.

### Transport

#### CAUTION

- In order to prevent accidents or injuries, you must observe the weight of the device when transporting it.

### Intended use

Only use the device in private households.

In accordance with the descriptions and the safety information in these operating instructions, the device is intended for use as a wet and dry vacuum cleaner.

Cold ashes may only be vacuumed with suitable accessories.

Protect the device from rain and do not store it outdoors.

#### Note

*The manufacturer accepts no liability for possible damage caused by improper use or incorrect operation.*

### Environmental protection



The packing materials can be recycled. Please dispose of packaging in accordance with the environmental regulations.



Electrical and electronic appliances contain valuable, recyclable materials and often components such as batteries, rechargeable batteries or oil,

which - if handled or disposed of incorrectly - can pose a potential threat to human health and the environment. However, these components are required for the correct operation of the appliance. Appliances marked by this symbol are not allowed to be disposed of together with the household rubbish.

#### Notes on the content materials (REACH)

Current information on content materials can be found at: [www.kaercher.com/REACH](http://www.kaercher.com/REACH)

### Accessories and spare parts

Only use original accessories and original spare parts. They ensure that the appliance will run fault-free and safely.

Information on accessories and spare parts can be found at [www.kaercher.com](http://www.kaercher.com).

### Scope of delivery

The scope of delivery for the appliance is shown on the packaging. Check the contents for completeness when unpacking. If any accessories are missing or in the event of any shipping damage, please notify your dealer.

### Warranty

The warranty conditions issued by our relevant sales company apply in all countries. We shall remedy possible malfunctions on your appliance within the warranty period free of cost, provided that a material or manufacturing defect is the cause. In a warranty case, please contact your dealer (with the purchase receipt) or the next authorised customer service site. (See overleaf for the address)

### Description of the device

Depending on the model selected, there are differences in the equipment. The specific equipment is described on the device packaging.

For the illustrations, refer to the graphics page.

### Illustration A

- ① Suction hose connection
- ② Rotary switch
- ③ Carrying handle
- ④ Parking position handle / accessory holder
- ⑤ Filter box with unlocking button
- ⑥ Cable hook
- ⑦ Hose storage (both sides)
- ⑧ Storage area
- ⑨ Container closure
- ⑩ Rating plate with technical data (e.g. container size)
- ⑪ Mains connection with mains plug
- ⑫ Parking position for floor nozzle
- ⑬ Accessory storage
- ⑭ Steering roller
- ⑮ Filter bag
- ⑯ Flat pleated filter
- ⑰ Removable handle
- ⑱ Suction hose with connection piece
- ⑲ Suction tubes 2 x 0.5 m
- ⑳ Crevice nozzle
- ㉑ Floor nozzle

### Installing the steering rollers

1. Before initial startup, remove the contents from the container and mount the steering rollers.

#### Illustration B

#### Illustration C

#### Illustration D

#### Note

*For versions with stainless steel tubes, remove the protective cover before initial startup.*

### Initial startup

#### Inserting the filter bag

1. Fully unfold the filter bag.
2. Attach the filter bag to the device connection and press it on firmly.

#### Illustration E

3. Fit and lock the device head.

#### Illustration F

#### Note

*We recommend using a filter bag to vacuum fine dust.*

#### Accessory application

1. Connect the suction hose.  
**Illustration G**
2. Connect the suction hose to the handle.  
**Illustration H**

#### Note

*For convenient vacuuming in confined spaces, the handle can be removed, and the accessories plugged directly onto the suction hose.*

*To release the handle, the grey areas on both sides of the handle must be pressed, and the handle pulled from the hose.*

3. Install the floor nozzle.
  - Install the insert in the floor nozzle.
  - Connect the floor nozzle to the suction tubes.

#### Illustration I

### Starting up the device

1. Plug the mains plug into the socket.
2. Set the trigger into the desired position.

#### Illustration J

#### Illustration K

- Position "1 ON": The device is switched on.
- Position "0 OFF": The device is switched off.

## Operation

### ATTENTION

#### Flat pleated filter missing

#### Device damage

Always work with the flat pleated filter inserted.

#### Note

Pay attention to the latest part numbers when purchasing and installing filter bags and flat pleated filters. Information on accessories and spare parts can be found at [www.kaercher.com](http://www.kaercher.com).

### Dry vacuuming

### ATTENTION

#### Vacuuming cold ashes

#### Device damage

Only vacuum cold ash with an ash pre-separator.

### ATTENTION

#### Defective or wet flat pleated filter

#### Device damage

Before initial startup, check the flat pleated filter for damage and replace it if necessary.

Only vacuum with a dry flat pleated filter.

#### Note

Replace the filter bag in good time, as a filter bag that is too full could be damaged. The fill degree of the filter bag depends on the amount of dirt vacuumed. The filter bag should be replaced more frequently when vacuuming fine dust, sand, etc.

### Wet vacuuming

### ATTENTION

#### Wet vacuuming with a filter bag

#### Device damage

Do not use a filter bag when vacuuming wet.

### ATTENTION

#### Operation with full container

When the container is full, a float switch closes the suction opening and the device runs at a higher speed.

Switch off the device immediately and empty the container.

#### Note

If the device falls over, the float can also close. To make the device capable of vacuuming again, set up the device, switch it off, wait 5 seconds and then switch it on again.

### Interrupting operation

1. Set the trigger to "0 OFF".  
The device is switched off.
2. Variant 1: Place the handle of the suction hose in the intermediate parking position.

#### Illustration L

Variant 2: Attach the floor nozzle in the parking position.

#### Illustration M

### Ending operation

1. Set the trigger to "0 OFF".  
The device is switched off.
2. Pull out the mains plug.
3. Remove the device head.

#### Illustration B

4. Empty the container.

#### Illustration N

5. Storage possibility:

#### Illustration U

#### Note

The suction hose can be wrapped around the device head and attached to the device head with the help of the hose collar.

6. Store the device in a dry and frost-proof room.

## Care and service

### General care instructions

- Clean the device and plastic accessory parts with a commonly available plastic cleaner.
- Rinse the container and accessories with water, as necessary, and dry them before further use.

### Clean the filter box / flat pleated filter

1. Unlock the filter box and fold it out.

#### Illustration O

2. Remove the filter box.

#### Illustration P

3. Empty the filter box into a waste container. In the case of heavy soiling, tap the filter box against the edge of the waste container. The flat pleated filter does not have to be removed from the filter box.

#### Illustration Q

If necessary, clean the flat pleated filter separately.

4. To do this, remove the flat pleated filter from the filter box.

#### Illustration R

5. Clean the flat pleated filter under running water. Do not rub or brush off.

#### Illustration S

6. Allow the flat pleated filter to dry completely before reusing.

#### Illustration T

#### Note

We recommend cleaning the flat pleated filter after each use.

## Troubleshooting guide

Malfunctions often have simple causes that you can remedy yourself using the following overview. When in doubt, or in the case of malfunctions not mentioned here, please contact your authorised Customer Service.

### Declining suction performance

Accessories, the suction hose or the suction tubes are clogged.

- Remove the clog with a suitable aid.

The filter bag is full

- Replace the filter bag.

The flat pleated filter is dirty.

- Clean the flat pleated filter (see Chapter *Clean the filter box / flat pleated filter*).

The flat pleated filter is damaged.

- Replace the flat pleated filter.

## Technical data

#### Note

The technical data can be found on the type plate.



# THANK YOU!

## MERCI! DANKE! ¡GRACIAS!



Registrieren Sie Ihr Produkt und profitieren Sie von vielen Vorteilen.

Register your product and benefit from many advantages.

Enregistrez votre produit et bénéficiez de nombreux avantages.

Registre su producto y aproveche de muchas ventajas.

**[www.kaercher.com/welcome](http://www.kaercher.com/welcome)**



Bewerten Sie Ihr Produkt und sagen Sie uns Ihre Meinung.

Rate your product and tell us your opinion.

Évaluer votre produit et dites-nous votre opinion.

Reseñe su producto y díganos su opinión.



**[www.kaercher.com/dealersearch](http://www.kaercher.com/dealersearch)**

**Alfred Kärcher SE & Co. KG**  
Alfred-Kärcher-Str. 28-40  
71364 Winnenden (Germany)  
Tel.: +49 7195 14-0  
Fax: +49 7195 14-2212

