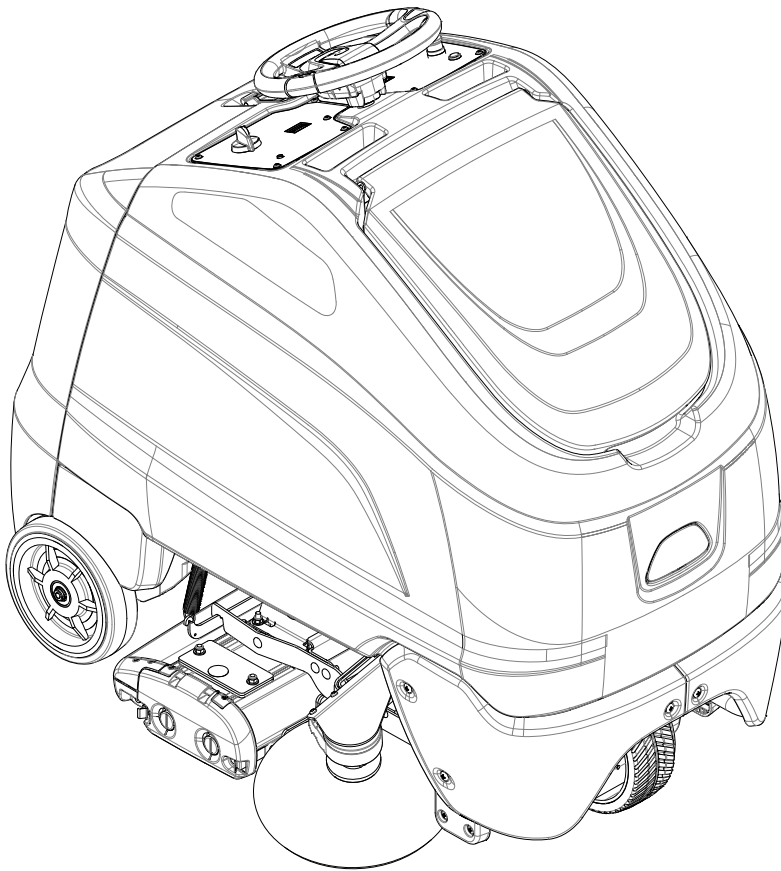


# KÄRCHER

makes a difference

## Chariot 3 - CV 86/1 RS Bp

English	02
Français	47
Español	93



**Register  
your product**

[www.kaercher.com/welcome](http://www.kaercher.com/welcome)



86446720-A 11/03/20

## Machine Data Label

Model:	_____
Date of Purchase:	_____
Serial Number:	_____
Dealer:	_____
Address:	_____
Phone Number:	_____
Sales Representative:	_____

### Overview

The Chariot® CV86 is a battery powered, stand-on, wide area vacuum intended for commercial use. The Chariot® CV86 brushes and vacuums debris from the floor and stores it in the debris tray and vacuum bag.

#### MODELS:

1.008-141.0	CHARIOT 3 CV 86 ATV 205AH SHLF CHRG
1.008-142.0	CHARIOT 3 CV 86 ATV 225AH SHLF CHRG
1.008-143.0	CHARIOT 3 CV 86 ATV 234AH AGM SHLF CHRG
1.008-144.0	CHARIOT 3 CV 86 ATV 205AH OBC
1.008-145.0	CHARIOT 3 CV 86 ATV 225AH OBC
1.008-146.0	CHARIOT 3 CV 86 ATV 234AH AGM OBC
1.008-149.0	CHARIOT 3 CV86 ATV LITHIUM SHELF
1.012-635.0	CHARIOT 3 CV 86 ATV OBC

## Warranty Registration

Thank you for purchasing a Kärcher North America product. Warranty registration is quick and easy. Your registration will allow us to serve you better over the lifetime of the product.

To register your product go to :

<https://www.kaercher.com/us/support/professional-services/professional-warranty-registration.html>

For customer assistance:

1-800-444-7654

**KÄRCHER**

<b>Machine Data Label</b> .....	<b>2</b>	Remove Brush Deck .....	36
Overview .....	2	Replace Brush Deck Motor .....	36
<b>Table of Contents</b> .....	<b>3</b>	Brush Deck Actuator Removal/Replacement .....	36
<b>How To Use This Manual</b> .....	<b>4</b>	Deck Actuator Adjustment .....	37
 		Brush Motor Carbon Brush Replacement .....	37
<b>Safety</b>		To Remove Vacuum Motor .....	38
Safety Label Locations .....	5	Vacuum Motor Carbon Brush Replacement .....	38
IMPORTANT SAFETY INSTRUCTIONS .....	6	Circuit Protection .....	39
HAZARD INTENSITY LEVEL .....	7	Drive Motor .....	40
 		Electric Brake Engagement .....	41
<b>Operations</b>		Drive Motor Carbon Brush Replacement .....	41
Technical Specifications .....	8	Transporting .....	42
How This Machine Works .....	10	Troubleshooting .....	43
Components .....	11	Controller Fault Codes .....	45
Controls .....	13	Suggested Spare Parts .....	46
Pre-Run Machine Inspection .....	17		
Starting Machine .....	17		
Emergency Stop Procedures .....	17		
Normal Vacuuming .....	18		
To Begin Vacuuming .....	18		
To Stop Vacuuming .....	19		
Changing Vacuum Bag .....	19		
Debris Tray Removal .....	19		
Debris Tray Installation .....	19		
<b>Maintenance</b>			
Service Schedule .....	21		
Batteries .....	22		
Charging Batteries .....	24		
External Charger .....	25		
On Board Charger .....	25		
Changing Batteries .....	26		
Battery Charger Programming .....	27		
<b>Lithium Battery (Optional)</b> .....	<b>28</b>		
Operating Limits .....	29		
Handling .....	30		
Installation - Single Battery .....	30		
Installation .....	30		
Operation .....	30		
On-Off .....	30		
Charging .....	31		
Discharging .....	31		
Storage .....	31		
Protection & Faults .....	31		
Faults & Corrective Actions .....	31		
Service & Maintenance .....	32		
Troubleshooting .....	32		
Brush Deck .....	34		
Brush Removal & Bearing Cleaning .....	35		
Brush Installation .....	35		
Side Broom Removal .....	35		
Belt Replacement .....	35		

## How To Use This Manual

This manual contains the following sections:

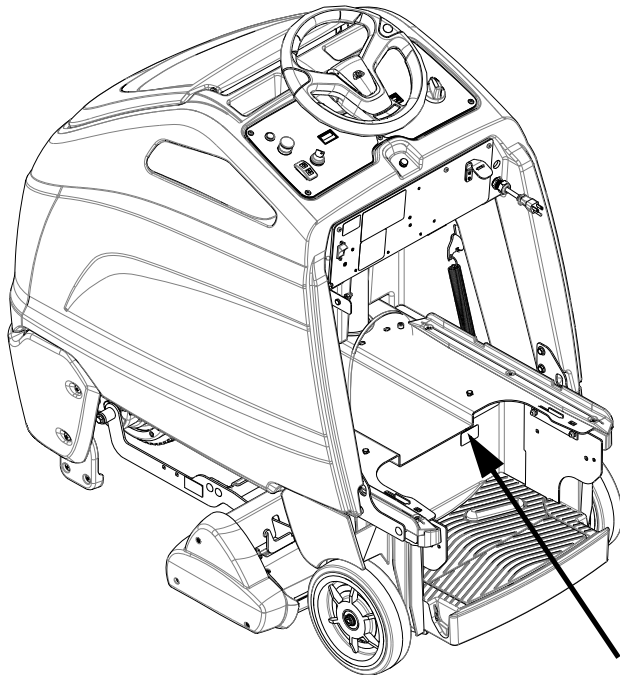
- How to Use This Manual
- Safety
- Operations
- Maintenance

The HOW TO USE THIS MANUAL section will tell you how to find important information for ordering correct repair parts.

Parts may be ordered from authorized dealers. When placing an order for parts, the machine model and machine serial number are important. Refer to the MACHINE DATA box which is filled out during the installation of your machine. The MACHINE DATA box is located on the inside of the front cover of this manual.

Model:	_____
Date of Purchase:	_____
Serial Number:	_____
Dealer:	_____
Address:	_____
Phone Number:	_____
Sales Representative:	_____

The model and serial number of your machine are located on the back of the machine.



The SAFETY section contains important information regarding hazardous or unsafe practices of the machine. Levels of hazards are identified that could result in product damage, personal injury, or severe injury resulting in death.

The OPERATIONS section is to familiarize the operator with the operation and function of the machine.

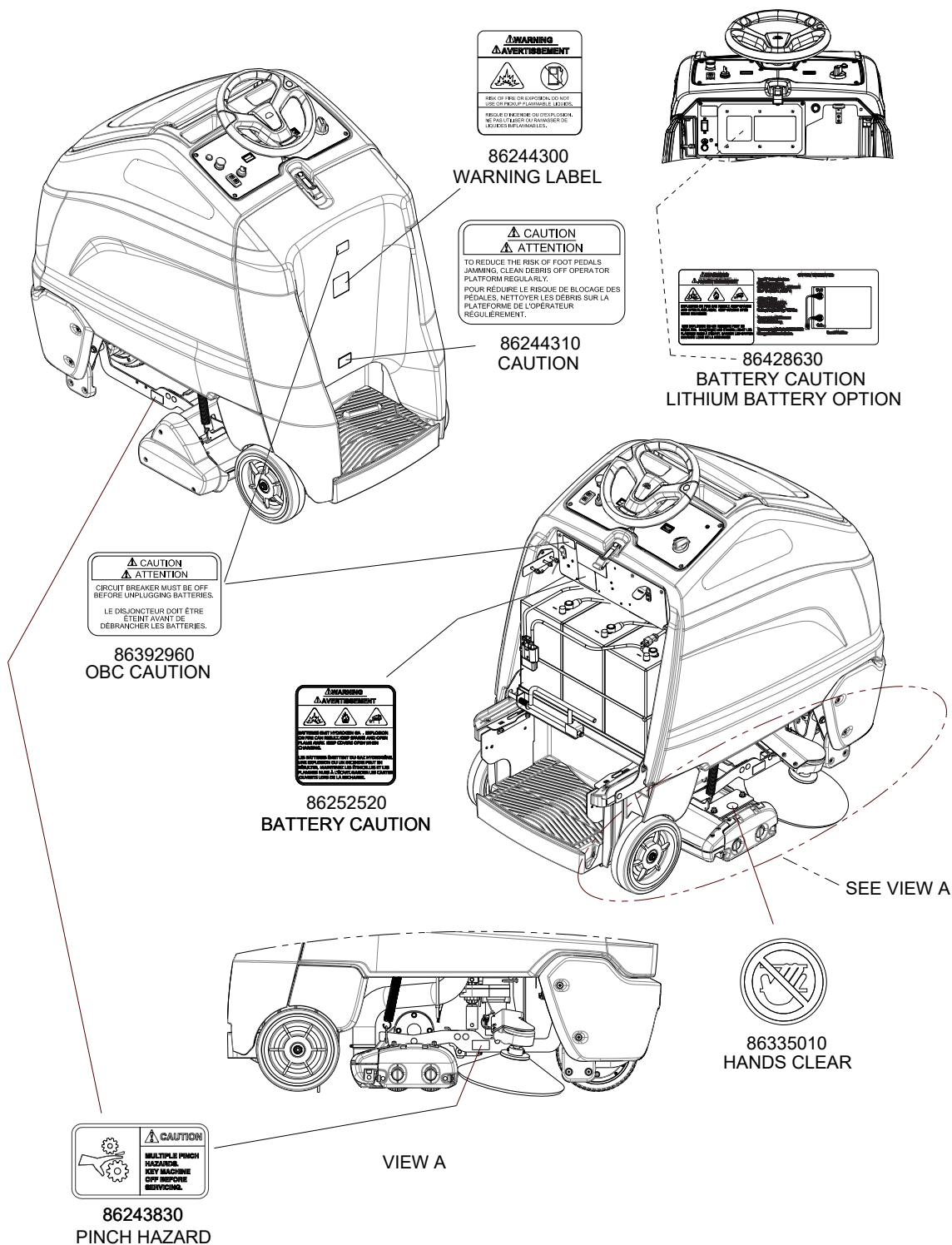
The MAINTENANCE section contains preventive maintenance to keep the machine and its components in good working condition. They are listed in this general order:

- Service Schedule
- Batteries
- Brush Deck
- Vacuum
- Drive Motor & Brake
- Troubleshooting

*NOTE: The manual part number is located on the lower right corner of the front cover.*

## Safety Label Locations

These drawings indicate the location of safety labels on the machine. If at any time the labels become illegible, promptly replace them.



## IMPORTANT SAFETY INSTRUCTIONS

When using this machine, basic precaution must always be followed, including the following:  
**READ ALL INSTRUCTIONS BEFORE USING THIS MACHINE.**

**! WARNING:** To reduce the risk of fire, electric shock, or injury:

**Use only** indoors. Do not use outdoors or expose to rain.

**Use only** as described in this manual. Use only manufacturer's recommended components and attachments.

If the machine is **not working properly**, has been dropped, damaged, left outdoors, or dropped into water, return it to an authorized service center.

**Do not** operate the machine with any openings blocked. Keep openings free of debris that may reduce airflow.

This machine **is not** suitable for picking up hazardous dust.

Do not operate this machine near flammable fluids, dust or vapors. Do not expose to fire.

Maintenance and repairs **must be done** by qualified personnel.

**Disconnect** battery before cleaning or servicing.

Do not use a visibly damaged battery pack or appliance. If the battery housing is damaged, do not touch exposed contents.

Do not modify or attempt to repair the appliance or the battery pack.

Lithium Battery Option: For use only with Discover Lithium battery 12-36-6700 and Delta Q QuiQ 1000 Charger.

Before the machine is discarded, the batteries **must be removed** and properly disposed of.

Make sure all warning and caution labels **are legible and properly attached** to the machine.

**During operation**, attention shall be paid to other persons, especially children.

**Before use** all covers and doors shall be put in the positions specified in the instructions.

**When leaving unattended**, secure against unintentional movement.

**The machine shall only** be operated by instructed and authorized persons.

**When leaving unattended**, switch off or lock the main power switch to prevent unauthorized use.

**This appliance has been designed** for use with the brushes specified by the manufacturer. The fitting of other brushes may affect its safety.

**Do not** use on surfaces having a gradient of over 10% (6 degrees).

**Do not** use without dust bag/or filter in place.

## READ AND SAVE THESE INSTRUCTIONS

The following symbols are used throughout this guide as indicated in their descriptions:

## HAZARD INTENSITY LEVEL

There are three levels of hazard intensity identified by signal words **-WARNING** and **CAUTION** and **FOR SAFETY**. The level of hazard intensity is determined by the following definitions:

### **WARNING:**

**WARNING** - Hazards or unsafe practices which **COULD** result in severe personal injury or death.

### **CAUTION:**

**CAUTION** - Hazards or unsafe practices which could result in minor personal injury or product or property damage.

**FOR SAFETY: To Identify actions which must be followed for safe operation of equipment.**

Report machine damage or faulty operation immediately. Do not use the machine if it is not in proper operating condition. Following is information that signals some potentially dangerous conditions to the operator or the equipment. Read this information carefully. Know when these conditions can exist. Locate all safety devices on the machine. Please take the necessary steps to train the machine operating personnel.

#### **FOR SAFETY:**

**DO NOT OPERATE MACHINE:**

Unless Trained and Authorized.

Unless Operation Guide is Read and understood.

In Flammable or Explosive areas.

In areas with possible falling objects.

#### **WHEN SERVICING MACHINE:**

Avoid moving parts. Do not wear loose clothing; jackets, shirts, or sleeves when working on the machine. Use Kärcher North America approved replacement parts.

### **WARNING:**

**Batteries emit hydrogen gas. Explosion or fire can result. Keep sparks and open flame away. Keep battery compartment open during charging. Keep sparks and flames away from the batteries. Do not smoke around batteries.**

### **WARNING:**

**Disconnect batteries before working on machine. Only qualified personnel should work inside machine. Always wear eye protection and protective clothing when working on or near batteries. Avoid skin contact with the acid contained in the batteries.**

### **WARNING:**

**Never allow metal to lie across battery tops.**

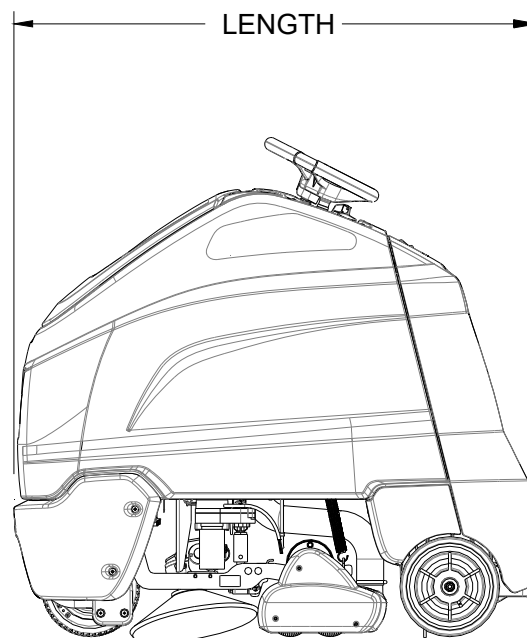
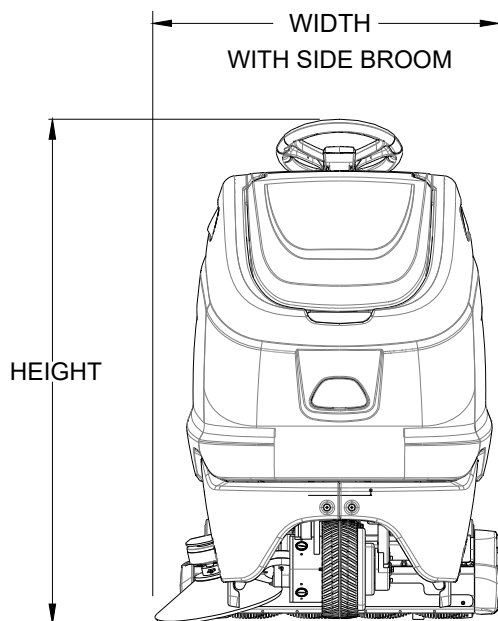
## Operations

### Technical Specifications

ITEM	DIMENSION/CAPACITY
Nominal Power	1600 W
Rated Voltage	36 Volts DC
Rated Amperage	43 Amps
Batteries	3 X 12 Volt 205-234 @ 20 hr. rate
Battery Compartment Dimensions	21in. X 16in. X 17in. (533mm X 406mm X 432mm)
Battery, Lithium	38.4 Volts
Battery, Lithium - Dimensions	(375mm x 347.5 x 471.5 mm)
Propel Motor	0.75HP (560W)
Brush Motor	0.5 HP (373W)
Side Broom Motor	0.06HP (45W)
Bag Capacity	1006 in <sup>3</sup> (16.5L)
Hopper Capacity	43.6 in <sup>3</sup> (0.71L)
Brushes	Two 28in (71cm) by 4in (10cm) dia.
Side Broom	13 inch (33cm)
Max Brush Speed	970 RPM
Max Side Broom speed	90 RPM
Vacuum Motor	0.94 HP (700W)
Max Flow Rate of vac motor	120 cfm (56.6 L/sec)
Vac bag full shut-off	14-16 inH <sub>2</sub> O (3.5 - 4.0 kPa)
Max suction vac motor	58.2 inH <sub>2</sub> O (14.5 kPa)
Weight (GVW) Gross weight with batteries and operator	958 Lb. (435 Kg)
Weight Empty no batteries or operator	361 Lb. (164Kg)
Tires	10in. (254mm) Solid grey non-marking
Foundation Pressure	61psi (420kPa)
Max Speed	3.65 MPH 5.88 Km/h
Frame construction	Powder coated Steel
Brake	Electrical Brake (engaged when operator steps of or E-Stop activated)
Minimum Aisle	U-Turn 66.92 in. (1700 mm)
Max rated climb and Descent	10% (6 degrees)
Sound Pressure at operators ear (IEC 60704-1)	71.1 dBA Uncertainty 2.8dBA Hard Floor Norm Clean
Sound Power (IEC 60704-1)	84.9 dBA Uncertainty 2.8dBA Hard Floor Norm Clean
Sound Pressure at operators ear (IEC 60704-1)	65.8 dBA Uncertainty 2.5 dBA Carpet Daytime Clean
Sound Power (IEC 60704-1)	84.7 dBA Uncertainty 2.5 dBA Carpet Daytime Clean
Vibration Hands (ISO 5349)	0.77 m/sec <sup>2</sup> Uncertainty .5 m/sec <sup>2</sup>
Vibration Feet (ISO 5349)	0.08 m/sec <sup>2</sup> Uncertainty .5 m/sec <sup>2</sup>



ITEM	MEASURE
Height	50.0 inches (1270 mm)
Length	52.1 inches (1323 mm)
Width without deck	30.6 inches (777 mm)
Width of deck	31.9 inches (811mm)
Width with side broom	34.2 inches (869 mm)



**⚠ CAUTION:**

This appliance is not intended for use by persons (including children) with reduced physical, sensory or mental capabilities, or lack of experience and knowledge, unless they have been given supervision or instruction concerning use of the appliance by a person responsible for their safety. Children should be supervised to ensure that they do not play with the appliance.

### How This Machine Works

The Chariot® CV86 is a battery powered, self-propelled, vacuum intended for commercial use. The appliance vacuums debris and dirt from the floor and collects it in the debris tray and disposable bag.

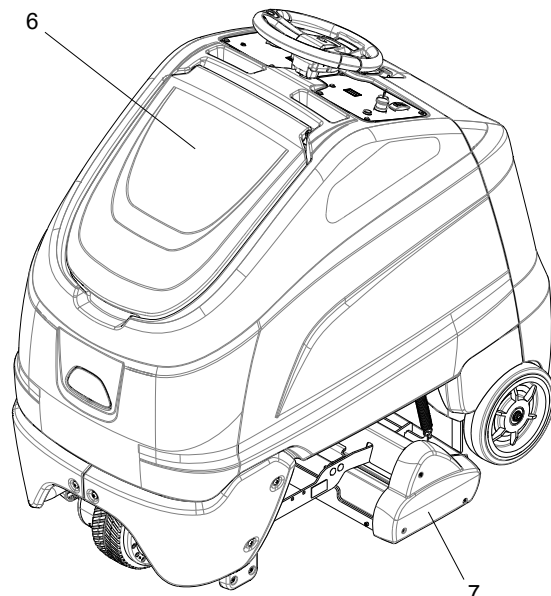
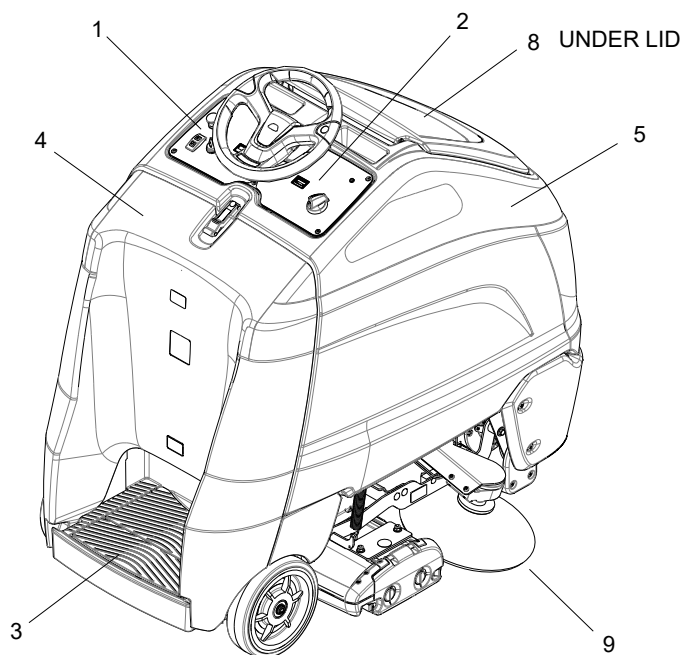
The machine's primary systems are the brush system, vacuum system, and operator control system.

The function of the brush system is to brush the floor. The brush system consists of two cylindrical type brushes, brush motor, brush deck, side broom, side broom motor and controls. The front brush turns clockwise when viewed from the right side of the machine. The rear brush turns counterclockwise. Both brushes work to agitate the floor and to route the debris up into the brush deck. The side broom rotates counterclockwise as viewed by the operator. The side broom sweeps debris into the path of the brush deck.

The function of the vacuum system is to vacuum fine dirt and debris into the vacuum bag, and large debris into the debris tray. The vacuum system consists of the debris tray, vacuum motor, vacuum filter and vacuum bag. The debris tray captures the dirt off the floor as the machine moves forward. The vacuum motor provides suction to draw the fine dirt into the vacuum bag, and the debris tray stores large debris.

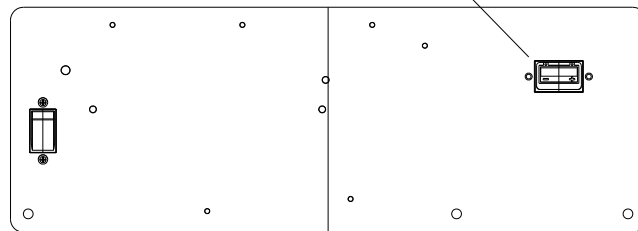
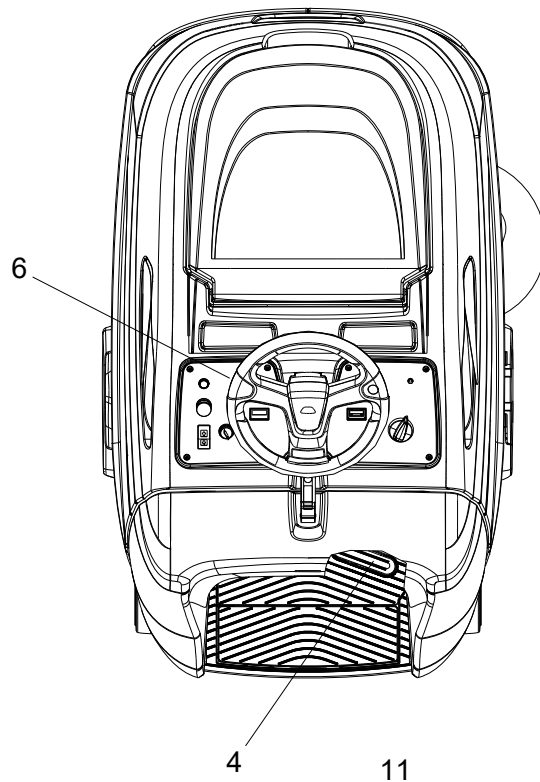
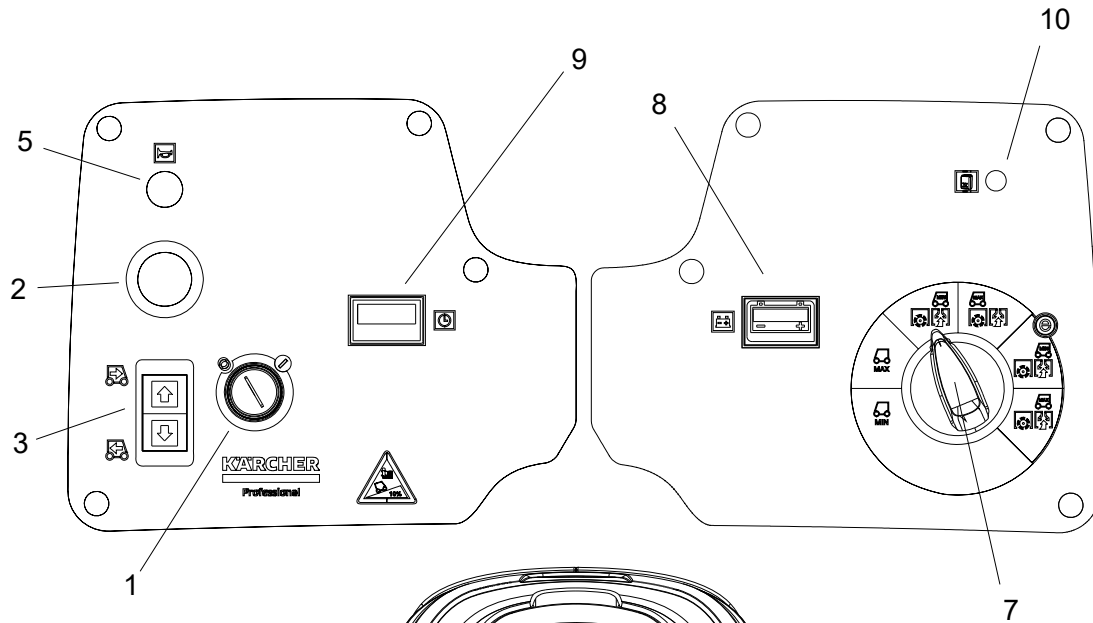
The function of the operator control system is to control the direction and speed of the machine. The directional control system consists of the direction control drive reset switch, throttle pedal, emergency stop switch, steering wheel, propel controller, and drive wheel. The directional control drive reset switch signals forward or reverse direction and makes sure the operator is on platform before machine will propel. The controller interprets signals from the throttle pedal to command the drive wheel to propel or slow the machine. The steering wheel points the drive wheel in the direction desired by the operator. The brake automatically engages when the operator steps off the platform, turns the key off, or engages the emergency stop switch.

*NOTE: Impact to machine may cause damage.*



**Components**

- 1. Control Panel - Drive
- 2. Control Panel - Vacuum
- 3. Pedal Platform
- 4. Rear Cover
- 5. Main Housing
- 6. Cover Lid
- 7. Brush Deck
- 8. Vacuum Bag
- 9. Side Broom



LOWER CONTROL PANEL

## Controls

1. **Key Switch**
2. **Emergency Stop Switch**
3. **Directional Control / Drive Reset Switch**
4. **Throttle Pedal**
5. **Horn Button**
6. **Steering Wheel**
7. **Function Mode Switch**
8. **Battery Discharge Indicator**
9. **Hour Meter**
10. **Vacuum System Status Indicator**
11. **Error Indicator (lithium only)**

### 1. **Key Switch**

Controls the power for machine functions.

To turn the machine power on, rotate key clockwise.

To turn the machine off, rotate key counterclockwise.

When the key is turned on the battery symbol will flash while the system runs self-diagnostics and returns the brush deck and side broom to their raised positions, if necessary. The controller will not respond to other commands until this routine is complete.

### 2. **Emergency Stop Switch**

This safety feature is designed to cut all power to the machine at any time and apply the brake.

To shut the machine power off, push the Emergency Stop Switch. This will also engage the brake and cause the machine to stop immediately. Excessive emergency stop usage can cause premature brake wear; use only when necessary.

To release the emergency stop switch, rotate the switch clockwise.

### 3. **Directional Control / Drive Reset Switch**

This safety feature is designed to ensure safe engagement of propel drive. Each time the machine power is turned on, or each time an operator steps on to the platform, the Drive Reset Switch must be pushed before machine will propel.

Controls the direction of travel of the vehicle. The lit arrow on the switch indicates direction of travel.

To travel forward, press the top of the switch.

To travel in reverse, press the bottom of the switch.

# Operations

## 4. Throttle Pedal

Controls the speed of the vehicle within the speed control setting selected. Pressing the pedal causes the machine to travel in the direction selected by the Directional Control Switch.

To increase speed, increase pressure on the pedal.

To decrease speed, decrease pressure on the pedal.

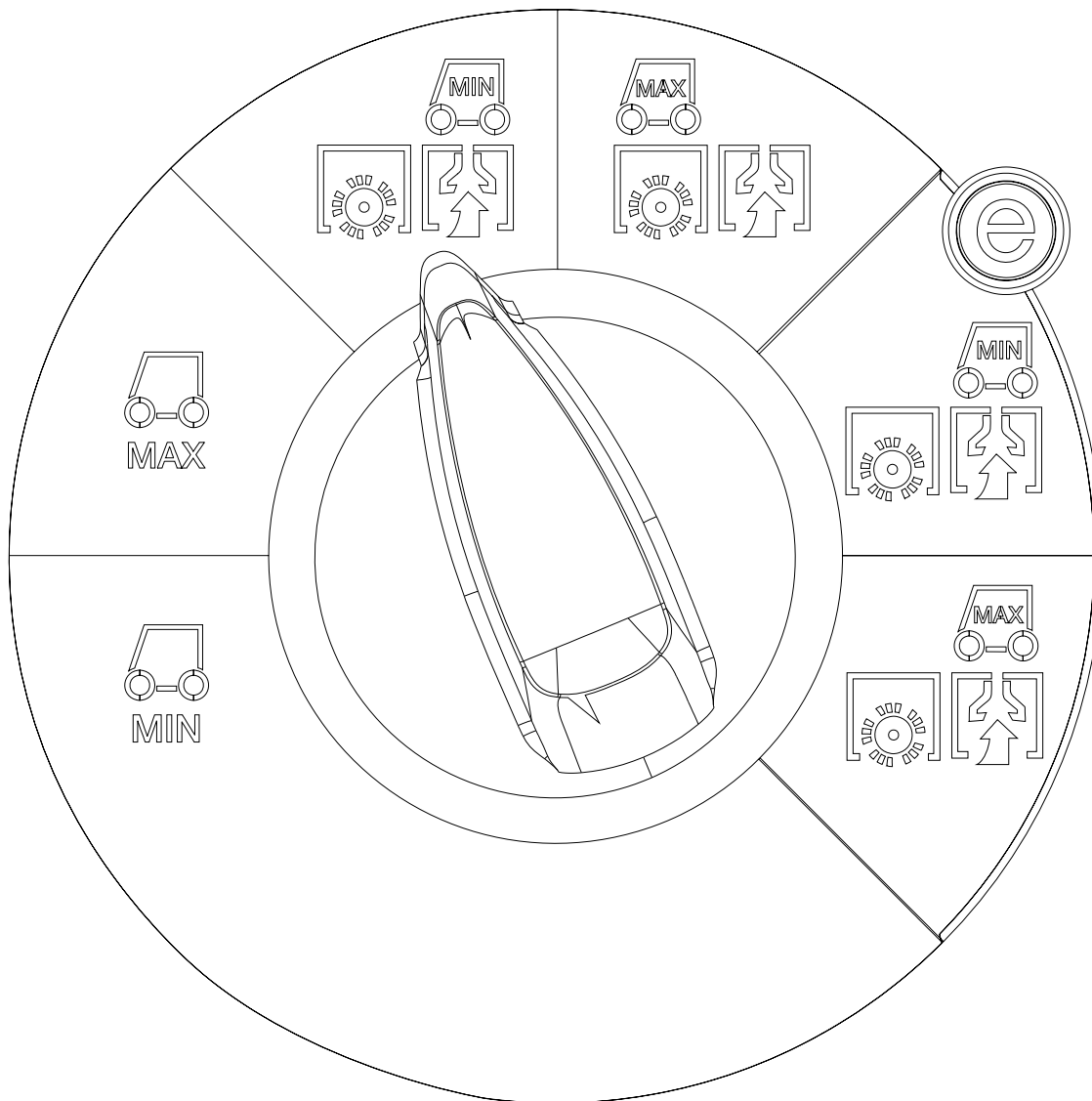
## 5. Horn Button

The horn is activated by pressing the horn button.

## 6. Steering Wheel

The steering wheel turns the front wheel causing the machine to change direction.

## 7. Function Mode Switch





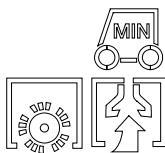
**Slow Transport**

This mode is used for machine transport. In this mode the machine will propel at slow speed. The 'floating' brush deck and side broom are in the up position. The brushes, side broom, and vacuum are off.



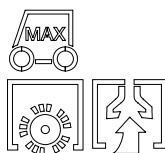
**Fast Transport**

This mode is used for machine transport. In this mode the machine will propel at fast speed. The 'floating' brush deck and side broom are in the up position. The brushes, side broom, and vacuum are off.



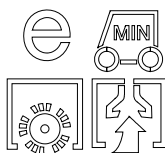
**Deep vacuuming**

This mode is used for deep vacuuming. In this mode the machine will propel at a slow speed. The 'floating' brush deck and side broom are in the down position. The brushes will agitate, the side broom will bring debris into the path of the deck. The vacuum will draw the dirt and debris into the debris tray and the vacuum bag.



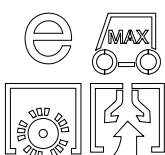
**Light vacuuming**

This mode is used for light vacuuming. In this mode the machine will propel at fast speed. The 'floating' brush deck and side broom are in the down position. The brushes will agitate, the side broom will bring debris into the path of the deck. The vacuum will draw the dirt and debris into the debris tray and the vacuum bag.



**Daytime Vacuuming**

This mode is used for daytime vacuuming. In this mode the machine will propel at a slow speed. The 'floating' brush deck and side broom are in the down position. The brushes will agitate, the side broom will bring debris into the path of the deck. The vacuum will draw the dirt and debris into the debris tray and the vacuum bag. The brushes, side broom, and vacuum will operate at reduced power.



**Daytime Light Vacuuming**

This mode is used for daytime light vacuuming. In this mode the machine will propel at fast speed. The 'floating' brush deck and side broom are in the down position. The brushes will agitate, the side broom will bring debris into the path of the deck. The vacuum will draw the dirt and debris into the debris tray and the vacuum bag. The brushes, side broom, and vacuum will operate at reduced power.

### **8. Battery Charge Level Indicator**

Indicates the charge level of the batteries.

The meter display is divided into 10 bars. Bars illuminated on the far right indicate full charge. Bars flashing near the left side indicate the batteries should be recharged. Further operation of the machine could damage the machine or the batteries.

When the machine is left overnight with less than a full charge, the display may initially indicate a full charge. It will also indicate a full charge if the batteries are disconnected, then reconnected. After a few minutes of operation the meter will give the correct charge level.

### **9. Hour Meter**

Records the number of hours the brushes have been run. This information is useful in determining when to service the machine.

### **10. Vacuum Bag Status Light**

If vacuum operating conditions are good, light is green.

If vacuum operating conditions are poor, light flashes red for 1 minute, then turns solid red and vacuum operations are stopped.

### **11. Error Indicator (Lithium Only)**

Indicates any errors that the machine may experience when the machine is equipped with lithium batteries.



## Machine Operation

### Pre-Run Machine Inspection

Do a pre-run inspection to find possible problems that could cause poor performance or lost time from breakdown. Follow the same procedure each time to avoid missing steps.

*NOTE: Perform Pre-run Machine Check before operating machine. See Service Schedule in Maintenance Section.*

### Starting Machine

**FOR SAFETY: Before starting machine, make sure that all safety devices are in place and operating properly.**

1. The operator should be on the pedal platform. The throttle pedal must be in the neutral position.
2. Turn the machine power on by turning key switch clockwise to the "ON" position.
3. Press the Drive Reset Directional Control Switch to set the intended direction for travel.
4. Press lightly on the throttle pedal with right foot.

## Emergency Stop Procedures

1. Push in emergency stop button. This will engage the brake and cause the machine to stop immediately.

## Operations

### Normal Vacuuming

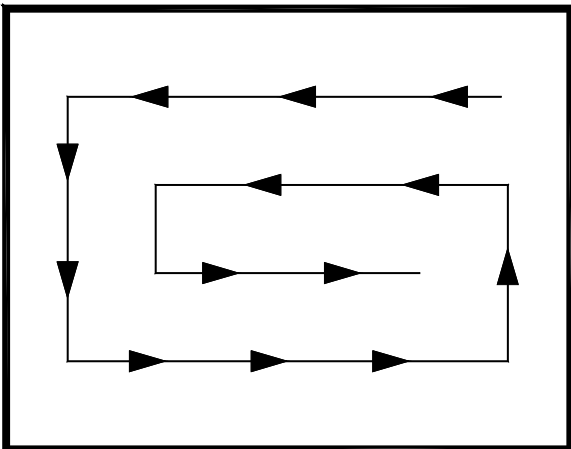
Plan the vacuuming pattern in advance. The longest track is around the perimeter of the area to be cleaned. For efficient operation, the runs should be the longest possible without turning or stopping.

In order to achieve the best possible results, the area which is to be cleaned should be picked up before vacuuming. Large debris, strings and wire must be removed to prevent being caught in brushes.

*NOTE: Check and empty debris tray as needed during operation.*

If machine is allowed to stand in neutral with the vacuum deck down for more than 2 seconds, the brush motor stops. If either forward or reverse travel is selected, the brush motor will continue once movement of machine begins. Overlap the brush path and avoid transporting over previously cleaned areas.

#### Recommended Path



### To Begin Vacuuming

#### **⚠ CAUTION:**

**When operating the machine around people, pay close attention for unexpected movement. Use extra caution around children.**

1. Stand on the operator platform. Throttle pedal must not be depressed.
2. Turn key switch to turn machine power on.
3. Check position of Directional Control Switch to ensure that machine is set to travel in direction intended.
4. Rotate the Function Control Switch to one of the four vacuum settings. Vacuum motor will turn on within a few seconds.
5. Depress the throttle pedal to drive machine and turn on brushes and side broom.

## To Stop Vacuuming

1. Remove foot from throttle pedal allowing pedal to return to neutral.
2. Turn machine power off or switch to transport only mode.

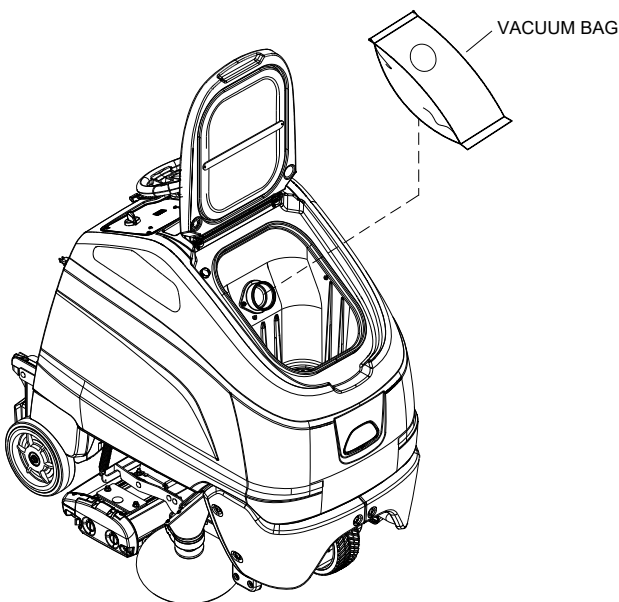
*FOR SAFETY: Before leaving or servicing machine: stop on level surface, turn off machine and remove key.*

*FOR SAFETY: When using machine, go slow on inclines.*

## Changing Vacuum Bag

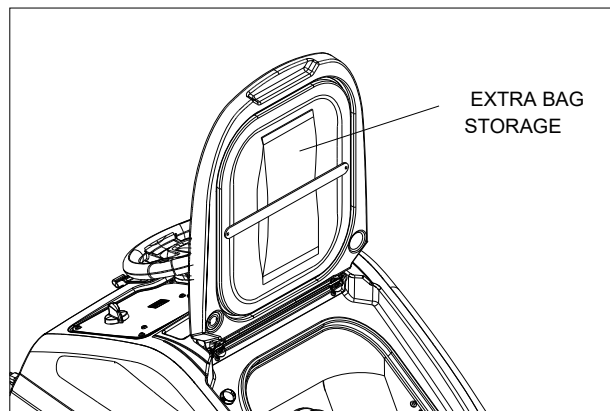
A convenient bag storage strap is located on the underside of the lid.

1. Park machine on level area.
2. Turn the machine power off.
3. Open cover lid.
4. Remove vacuum bag lip from nozzle.



5. Remove vacuum bag from vacuum box and dispose of properly.
6. Clean vacuum box and remove any debris.

7. Retrieve a new clean vacuum bag from the storage strap on the cover lid.



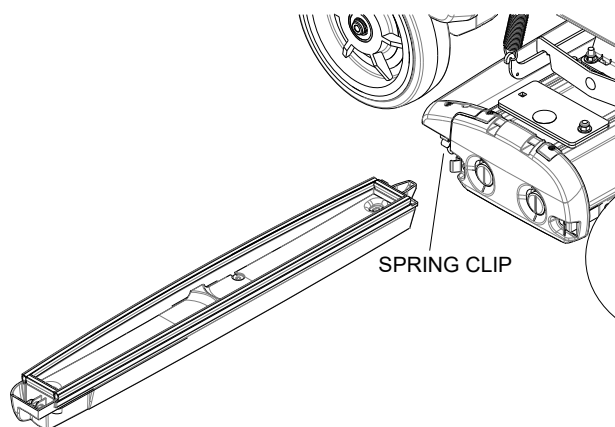
8. Place a new vacuum bag in the vacuum box and push the lip over the nozzle.
9. Close lid.

## Debris Tray Removal

1. Release the debris tray spring clip.
2. Slide the debris tray away from machine.

## Debris Tray Installation

1. Slide the debris tray into the debris tray mount notch.
2. Secure with debris tray spring clip.

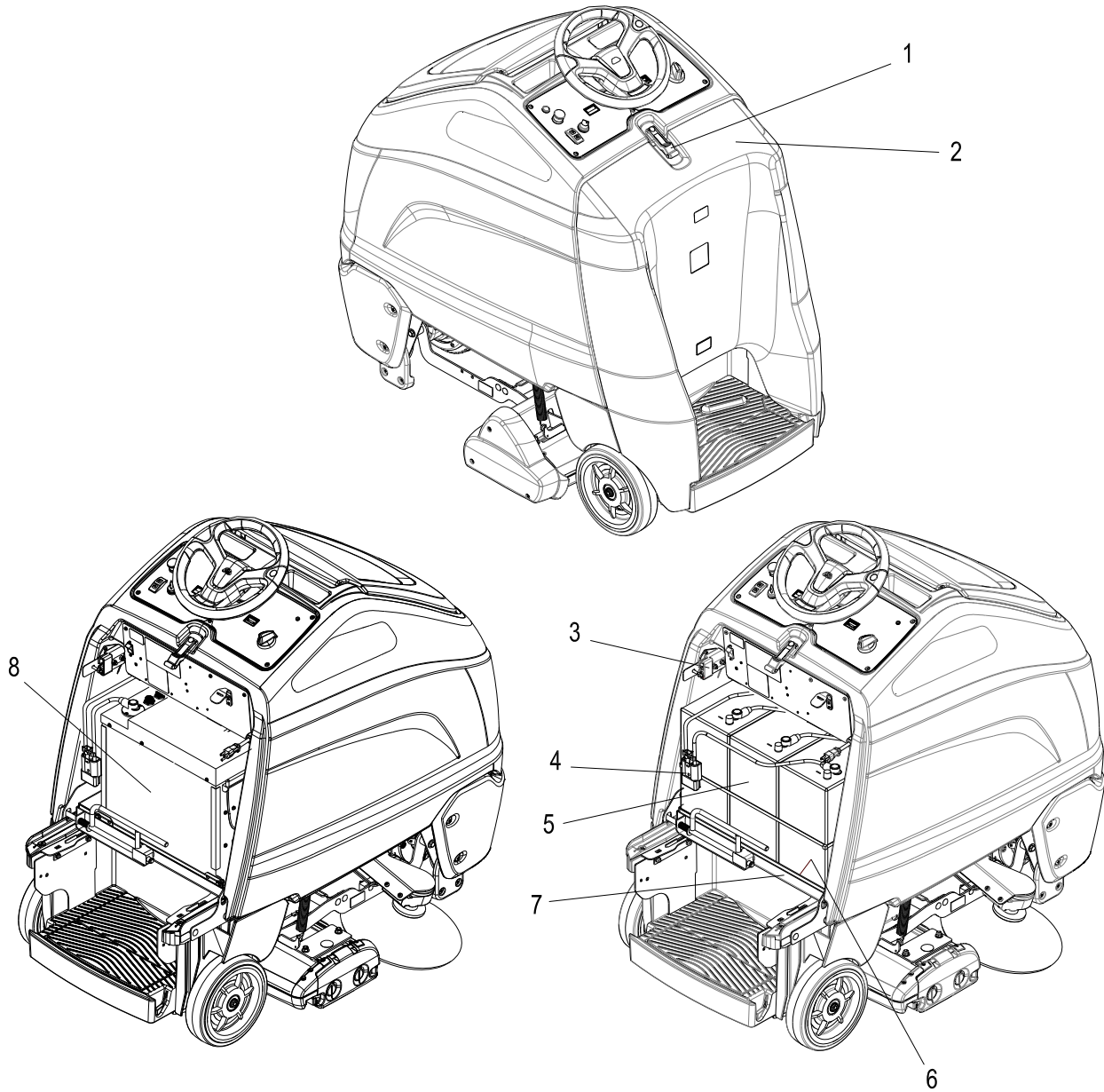




**Service Schedule**

<b>MAINTENANCE</b>	<b>BEFORE EACH WORK PERIOD</b>	<b>AFTER EACH WORK PERIOD</b>	<b>50 HRS</b>	<b>100 HRS</b>	<b>200 HRS</b>
Check water level of batteries after charging; add distilled water if necessary (Wet cell only)	*				
Check that the vacuum box lid seals tightly	*				
Check for damaged or worn tires.	*				
Check brushes for proper installation.	*				
Check vacuum hose connections.	*				
Check hoses for debris buildup.	*				
Check pedal(s), brake and steering for proper operation	*				
Clean brushes and check wear.		*			
Remove bearing cap from end of brush. Clean bearing and cap.		*			
Empty debris tray		*			
Check vacuum bag fullness and change if necessary.		*			
Charge batteries.		*			
Clean off top of batteries.			*		
Check battery cells with hydrometer. (Wet cell only)			*		
Check battery connections are tight.			*		
Clean battery cases and compartment.				*	
Inspect and replace all filters including exhaust, intake, and microfilters.				*	
Check brake.					*
Check all motors for carbon brush wear.					*
Check motor commutators.					*
Check steering chain tensioner.					*
Check brush deck ATV guard rods for excessive wear.					*
Check wiring and other electrical components for frays, heat discoloration, cracked or hardened insulation, broken or loose connections, and other defects.					*

## Batteries



1. Rear Cover Latch
2. Rear Cover
3. Battery Connector-Machine
4. Battery Connector-Battery
5. Batteries
6. Battery Tray Liner
7. Battery Tray
8. Batteries - Lithium Option

## Batteries (Wet Cell Only)

The batteries provide the power to operate the machine. The batteries require regular maintenance to keep them operating at peak efficiency.

The machine batteries will hold their charge for long periods of time, but they can only be charged a certain number of times. To get the greatest life from the batteries, charge them when their charge level reaches 25% of a full charge. Use a hydrometer to check the charge level.

Do not allow the batteries to remain in a discharged condition for any length of time. Never expose a discharged battery to temperatures below freezing. Discharged batteries will freeze causing cracked cases. Do not operate the machine if the batteries are in poor condition or if they have a charge level below 25% (specific gravity below 1.155).

Keep all metallic objects off the top of the batteries, as they may cause a short circuit. Replace worn or damaged cables and terminals.

Check the electrolyte level in each battery cell before and after charging the batteries. Never add acid to the batteries, use distilled water. Do not allow water level to fall below the battery plates. Portions of plates exposed to air will be destroyed. Do not overfill. Keep plugs firmly in place at all times.

### **CAUTION:**

When servicing machine, avoid contact with battery acid.

### **WARNING:**

Batteries emit hydrogen gas. Explosion or fire can result. Keep sparks and open flame away. Keep covers open when charging.

### **WARNING:**

Wear eye protection and protective clothing when working with batteries.

### **WARNING:**

Charge batteries in a well ventilated area.

## Battery Maintenance

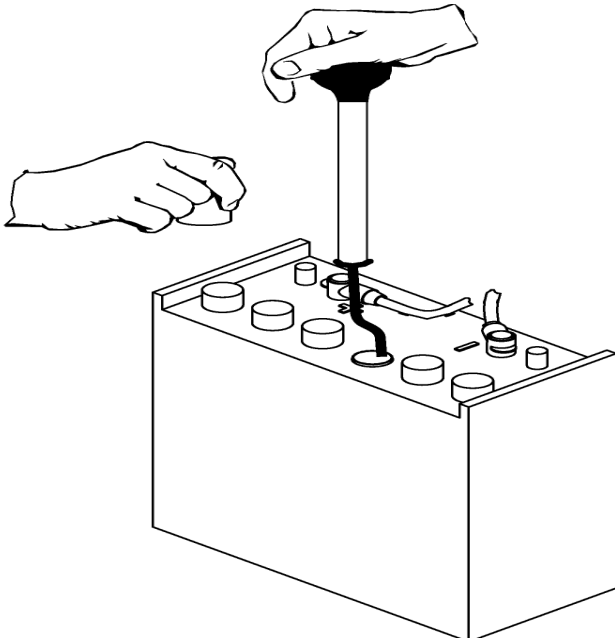
1. When cleaning the batteries, use a solution of baking soda and water. Do not allow the cleaning fluid to enter the battery cells, electrolyte will be neutralized.
2. Maintain the proper electrolyte level in each battery cell. If a cell should accidentally overflow, clean immediately.
3. Wipe off the top of the batteries at least once a week.
4. Test battery condition with a hydrometer at least once a week.
5. Ensure that all connections are tight and all corrosion is removed.

Every 4 to 6 months, remove the batteries from the machine and clean the battery cases and battery compartment.

## Maintenance

### Checking Battery Specific Gravity

Use a hydrometer to check the battery specific gravity.



**NOTE:** Do not take readings immediately after adding distilled water, if the water and acid are not thoroughly mixed, the reading may not be accurate.

Check the hydrometer readings against this chart.

<b>SPECIFIC GRAVITY @ 80° F (27° C)</b>	<b>BATTERY CONDITION</b>
1.265	100% CHARGED
1.225	75% CHARGED
1.190	50% CHARGED
1.155	25% CHARGED
1.120	DISCHARGED

**NOTE:** If the readings are taken when the battery electrolyte is any temperature other than 80°F (27°C), the reading must be temperature corrected. To find the corrected specific gravity reading when the temperature of the battery electrolyte is other than 80°F (27°C): Add (+) to the specific gravity reading 0.004 (4 points), for each 10°F (6°C) above 80° (27°C). Subtract (-) from the specific reading 0.004 (4 points), for each 10°F (6°C) below 80°F (27°C).

### Charging Batteries

#### **CAUTION:**

When servicing machine, avoid contact with battery acid.

#### **WARNING:**

Batteries emit hydrogen gas. Explosion or fire can result. Keep sparks and open flame away. Keep covers open when charging.

#### **WARNING:**

Wear eye protection and protective clothing when working with batteries.

#### **WARNING:**

Charge batteries in a well ventilated area.



## External Charger

Use a 36 volt, 20 amp maximum output DC charger which will automatically shut off when the batteries are fully charged.

1. Stop the machine in a clean, well ventilated area next to the charger.
2. Turn "OFF" machine.

**FOR SAFETY: Before leaving or servicing machine; stop on level surface, turn off machine and remove key.**

3. Open rear cover, turn off breaker, unplug batteries from machine, unlatch and pull out the battery tray to expose batteries.

### **⚠ WARNING:**

**Batteries emit hydrogen gas. Explosion or fire can result. Keep sparks and open flame away. Keep covers open when charging.**

4. (Wet Cell Only) Check the electrolyte level in each battery cell. Before charging, add just enough distilled water to cover the plates. If the water level is too high before charging, normal expansion rate of the electrolyte may cause an overflow resulting in a loss of battery acid balance and damage to the machine.
5. (Wet Cell Only) Install the battery caps, and leave them in place while charging.

**FOR SAFETY: When charging, connect the charger to the batteries before connecting the charger to the AC wall outlet. Never connect the charger to the AC wall outlet first. Hazardous sparks may result.**

6. Plug the charger connector into the battery connector. Connect the charger AC plug to a wall outlet. The charger gauge should indicate that the batteries are charging.
7. When the batteries are fully charged, disconnect the charger from the AC wall outlet, then disconnect the charger from the batteries.
8. (Wet Cell Only) Check the electrolyte level. It should be up to the indicator ring. If necessary, add distilled water. Install the battery caps.
9. Slide in and latch the battery tray, plug the batteries into the machine, turn on the breaker, and close the rear cover.

## On Board Charger

1. Stop the machine in a clean, well ventilated area next to an AC outlet.
2. Turn "OFF" machine.
3. Open rear cover and turn off breaker.

### **⚠ WARNING:**

**Batteries emit hydrogen gas. Explosion or fire can result. Keep sparks and open flame away. Keep covers open when charging**

4. (Wet Cell Only) Unlatch and pull out the battery tray to expose batteries.
5. (Wet Cell Only) Check the electrolyte level in each battery cell. Before charging, add just enough distilled water to cover the plates. If the water level is too high before charging, normal expansion rate of the electrolyte may cause an overflow resulting in a loss of battery acid balance and damage to the machine.
6. (Wet Cell Only) Install the battery caps, and leave them in place while charging.
7. Release the charger cord. Connect the charger AC plug to a wall outlet. The charger gauge should indicate that the batteries are charging. Leave rear cover open slightly to allow venting.
8. When the batteries are fully charged, disconnect the charger from the AC wall outlet and secure the charger cord.
9. (Wet Cell Only) Check the electrolyte level. It should be up to the indicator ring. If necessary, add distilled water. Install the battery caps.
10. (Wet Cell Only) Slide in and latch the battery tray.
11. Turn on the breaker, and close the rear cover.

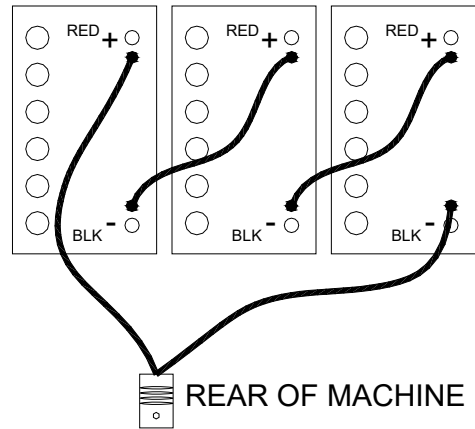
## Maintenance

### Changing Batteries

Stop the machine in a clean area next to the charger.  
Turn off machine.

**FOR SAFETY: Before leaving or servicing the machine; stop on level surface, turn off machine and remove key.**

1. Remove the rear cover.
2. Turn off breaker and disconnect battery pack from machine.
3. Unlatch battery tray from machine and pull out to expose batteries.
4. Use the proper size open end wrench to disconnect main ground wire first and secure cable terminal away from batteries.
5. Disconnect main positive lead and secure cable terminals away from batteries.
6. Loosen both terminals on each jumper cable and remove one at a time.
7. Prepare a suitable site to place the batteries.
8. Remove batteries from machine.



### **! WARNING:**

Attach suitable battery lifting device and lift batteries from the machine. Batteries are a potential environmental hazard. Consult your battery supplier for safe disposal methods.

## Onboard Charger (Optional)

### **⚠ CAUTION:**

**Circuit Breaker must be off before unplugging batteries or connecting the charger AC plug to a wall outlet.**

### Battery Charger Programming

*For machines equipped with optional on-board charger. When replacing batteries, charger programming changes may be required. If replacing batteries with same type, (e.g. maintenance free batteries with maintenance free) no programming is required. If replacing batteries with different type (e.g. maintenance free with wet cell), programming changes are required. Failure to make programming changes may lead to reduced battery life.*



1. Remove four nuts from charger mounting bracket. Lift charger out of cover.
2. Peel back label on charger to access DIP switches.
3. Change switches to correct battery type.

	DIP 1	DIP 2	DIP 3	DIP 4	DIP 5	DIP 6	DIP 7	DIP 8
LEAD ACID	OFF	ON	ON	ON	OFF	ON	ON	OFF
DISCOVER AGM	ON	OFF	OFF	OFF	OFF	ON	ON	OFF

4. Replace charger label and lower charger back into cover. Tighten four nuts to secure charger to mounting bracket.

## **Maintenance**

---

### **Lithium Battery (Optional)**



This product must be recycled and is made of recycled products

#### **Chemical Risk**

### **! WARNING:**

**Lithium batteries are chemical risk if mis-operated, mishandled or abused.**

#### **Do:**

- Do protect terminals from short circuit before, during, and after installation
- Do wear electrically insulated gloves
- Do use electrically insulated tools
- Do wear eye protection
- Do wear safety toe boots / shoes
- Do handle battery carefully
- Do secure battery safely
- Do always assume battery terminals are energized

#### **Do Not:**

- Do not lift or carry the battery during usage or operation
- Do not operate or store battery outside of operating limits
- Do not short circuit battery
- Do not puncture battery
- Do not expose battery to flames, or incinerate
- Do not open battery case or disassemble battery
- Do not wear rings, watches, bracelets or necklaces when handling or working near battery
- Do not drop or crush battery
- Do not lift battery by the terminal cables
- Do not vibrate battery
- Do not expose battery to water or other fluids
- Do not expose battery to direct sunlight
- Do not dispose of battery
- Do not connect with other types of batteries
- Do not expose battery to high temperatures
- Do not install with other battery types or brands

## Transportation

If the battery is not installed in equipment, it must be transported in the original package or equivalent.

Batteries are tested according to UN Handbook of Tests and Criteria, part III, sub section 38.3 (ST/SG/AC. 10/11/ Rev.5). For transport, the batteries belong to category UN3480, Class 9, Packaging Group II.

## Operating Limits

The battery should not be operated outside these operating limits:

Operating Limits	12-36-6700
Continuous Charge Current	150A
Continuous Discharge Current	150A
Charge Voltage	40.8 V
Operating Voltage (Min / Max)	33.6 V / 43.8 V
Charge Temperature (Min / Max)	0°C / 45°C (32°F / 113°F)
Discharge Temperature (Min / Max)	-20°C / 50°C (-4°F / 122°F)
Storage Temperature (Min / Max)	-20°C / 45°C (-4°F / 113°F)

## CAUTION:

**Do not install batteries in series. Select the appropriate AES battery model for the voltage of your system.**

*NOTE: Intentional bypassing of BMS to operate battery outside maximum and minimum limits voids warranty.*

## Fuse

Fuse provides back-up over-current protection.

## Fuse Replacement

A blown fuse requires service from a qualified technician. Contact your Discover supplier for more information.

## Maintenance

### Handling

#### **! WARNING:**

Read Safety Section before installing the battery.

- Battery should be off.
- Battery cables should be disconnected.
- Battery terminals should be protected.
- Battery handle should be used to lift battery.
- Battery should be handled by two people or mechanical lift equipment.
- Do not lift or carry the battery during usage or operation.

### Installation - Single Battery

#### **! WARNING:**

Read Safety Section before installing the battery.

#### Tools

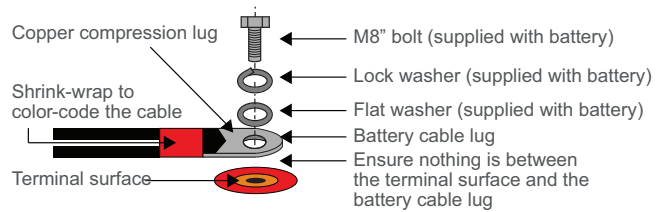
- Insulated tools sized to match nuts, bolts and cables in use
- Voltmeter
- Post cleaner and wire brush
- Personal protective equipment

#### Securing Battery

- Battery can be strapped in place with non-conductive nylon straps
- Battery may have hold down brackets at the base of the battery

#### Installation

- Check that battery is switched off
- If battery circuit has disconnect, open disconnect to isolate battery
- Clean cable connections. Broken, frayed, brittle, kinked or cut cables should be replaced
- Install and secure new battery. Be careful not to ground the terminals to any metal mounting, fixture, or body part
- Connect battery cables. Connect ground cable last to avoid sparks
- Recommended terminal torque is 9.0 Nm (6.64 ft-lb)
- Close circuit disconnect (if open)
- Turn battery switch on



**NOTE:** All cable ends must be connected to battery terminals without any washers between terminal bushings and cable ends.

#### Terminal burnout is caused by:

- Discharge currents exceeding allowable limits
- Improper cable installation
- Improper cable sizing
- Improper terminal torque

**NOTE:** Without exception, product experiencing terminal burnout will not be warranted.

#### Operation

**NOTE:** Review operating limits.

#### On-Off

- To turn the battery on press and hold switch for 2-3 seconds
- To turn the battery off press and hold switch for 2-3 seconds



## Charging

Before operating the charger make sure to read and understand the instructions that come with the charger. Never attempt to charge a battery without first reviewing and understanding the instructions for the charger being used

### **⚠ CAUTION:**

**Always make sure the chargers charging curve meets the battery's charging requirement; never charge a visibly damaged battery; never charge a frozen battery.**

1. Connect the charger leads to the battery.
2. Make sure that the charger lead, both at the charger and the battery side, connections are tight.
3. Turn the charger on.
4. Turn the battery on (if required).

### **⚠ CAUTION:**

**NOT ALL CHARGERS ARE CAPABLE OF CHARGING LITHIUM BATTERIES! During system design CONFIRM that your chosen charger is not capable of transient spikes that exceed the published MAXIMUM TERMINAL RATINGS of the battery**

## Discharging

- Turn on battery.
- Turn on load

*NOTE: Do not discharge battery below recommended minimum operating voltages.*

*NOTE: Do not discharge battery at rates greater than recommended operating currents.*

## Storage

Systems should be stored out of direct sunlight under the following temperature conditions:

Minimum Storage Temperature	-20°C / -4°F
Maximum Storage Temperature	45°C / 113°F

System should be put into storage at 80% SOC and checked monthly to ensure the system SOC (state of charge) does not fall below 20%/ At 2-% SOC the battery will self discharge in approximately 2 months.

## Protection & Faults

- BMS (battery management system) generates faults when maximum operating limits are reached.
- BMS sounds a buzzer when fault limits are triggered.
- BMS monitors the following information for faults and warning:
  - Cell module voltage
  - Battery current
  - Battery temperature

## Faults & Corrective Actions

In the event of a fault the BMS (battery management system) will sound an audible buzzer warning and the system will shut off after a 120 second delay.

FAULT LEVELS	
Parameter	Trigger Point
High Temperature	60°C / 140°F
High Voltage	3.7 V in any cell module
Low Voltage	2.5 V in any cell module
Over Current	150 A

## Maintenance

CORRECTIVE ACTIONS	
<b>High Temperature</b>	Stop discharge or charge Leave the battery to cool
<b>Low Temperature</b>	Stop discharge or charge
<b>High Voltage</b>	If charging, stop charge
<b>Low Voltage</b>	Do not discharge the battery. Any discharge current detected will force the battery into Low Voltage Fault The user can charge the battery in Low Voltage Recovery If no charge current is detected within 2 minutes, the BMS will turn off the battery
<b>Over Current</b>	Reduce current
<b>Low SOC</b>	Stop discharge Charge the battery

## Service & Maintenance

Batteries should be carefully inspected on a regular basis in order to detect and correct potential problems before they can do harm. This routine should be started when the batteries are first received.

### Inspection

- Look for cracks in the case
- Check the battery, terminals and connections to make sure they are clean, free of dirt, fluids and corrosion
- All battery cables and their connections should be tight, intact, and NOT broken or frayed
- Replace any damaged batteries
- Replace any damaged cables
- Check torque on terminal bolts

## Troubleshooting

Battery Won't Turn On:

<b>Symptom</b>	Does the battery turn on for a short time, then turn itself off?
<b>Description</b>	The battery is likely in a low voltage or low SOC.
<b>Action</b>	Connect to charger and turn on the battery.

<b>Symptom</b>	Was the battery left on or stored for extended periods of time?
<b>Description</b>	The battery will turn itself off at 5% SOC. If left sitting at a low SOC, the battery may have discharged itself completely and cannot be used.
<b>Action</b>	Do not use. Replace and recycle.



## Changing Battery

Stop the machine in a clean area. Turn off machine.

**FOR SAFETY: Before leaving or servicing the machine; stop on level surface, turn off machine and remove key.**

1. Remove the rear cover.
2. Disconnect battery from machine.
3. Unlatch battery tray from machine and pull out to expose battery.
4. Use the proper size open end wrench to disconnect main ground wire first and secure cable terminal away from battery.
5. Disconnect main positive lead and secure cable terminals away from battery.
6. Prepare a suitable site to place the battery.

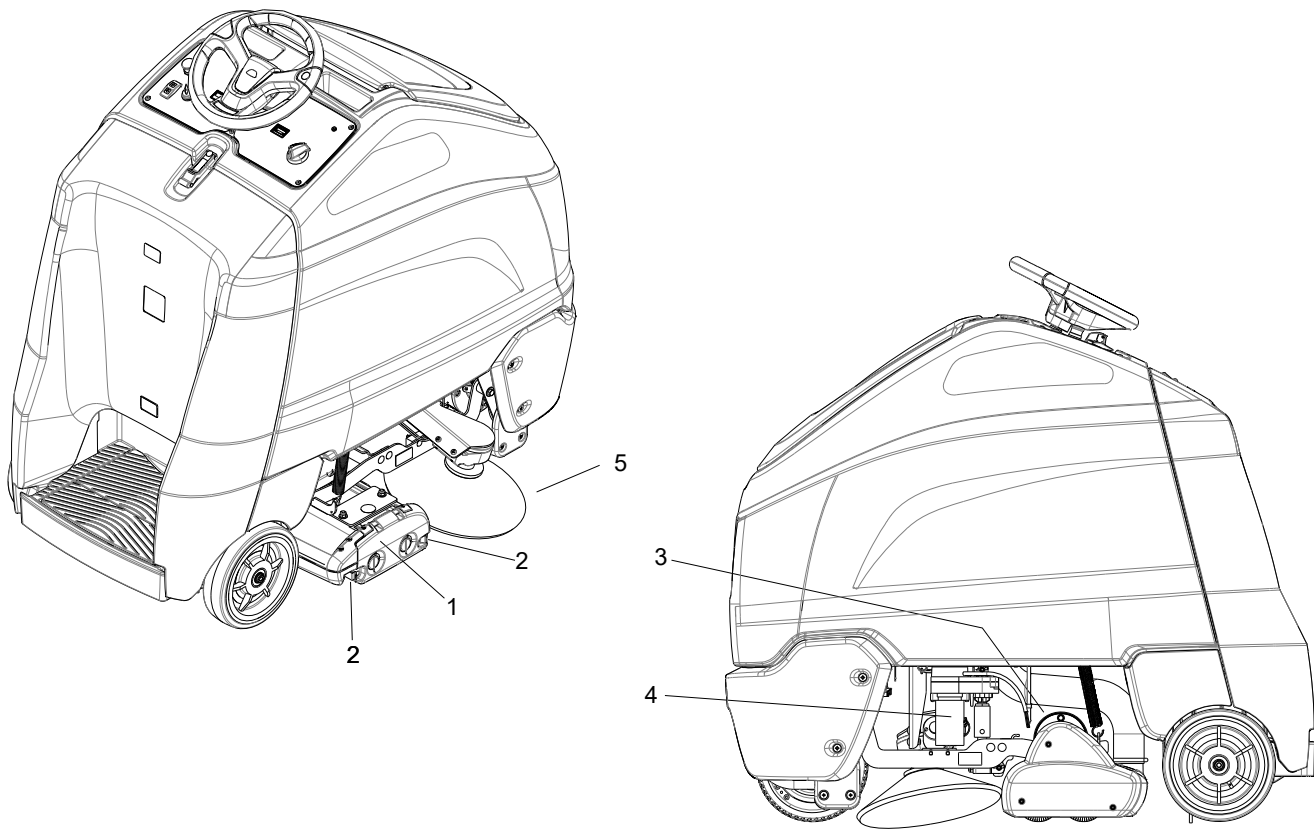
### **⚠ WARNING:**

**Attach suitable battery lifting device and lift battery from the machine. Batteries are a potential environmental hazard. Consult your battery supplier for safe disposal methods.**

## Recycling and Disposal

Batteries must not be mixed with domestic or industrial waste. Discover's Advanced Energy Systems are recyclable and must be processed through a recognized recycling agency or dealer. Please contact Discover® or your servicing dealer for details.





## Brush Deck

1. Brush Deck
2. Brush Release Clips
3. Brush Motor
4. Brush Deck Lift Actuator
5. Side Broom

## Brush Removal & Bearing Cleaning

*NOTE: The brushes should wear evenly side to side. Brushes should be replaced as a set when bristle length wears to height of yellow PerformAlert™ bristles.*

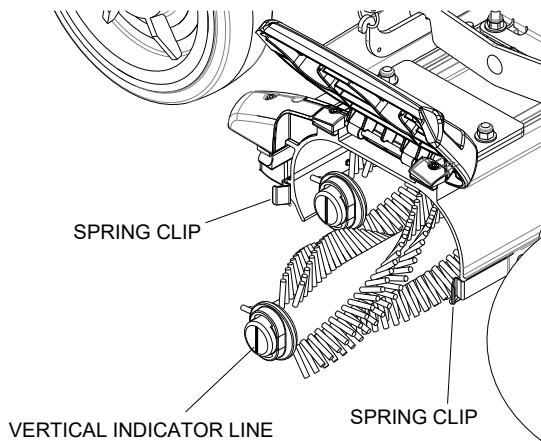
The brushes are removed from the right side of the machine.

1. Release door spring clips and rotate the brush door up.
2. Slide the brushes out the side opening.
3. Remove bearing cap from end of brush.
4. Clean bearings and cap.



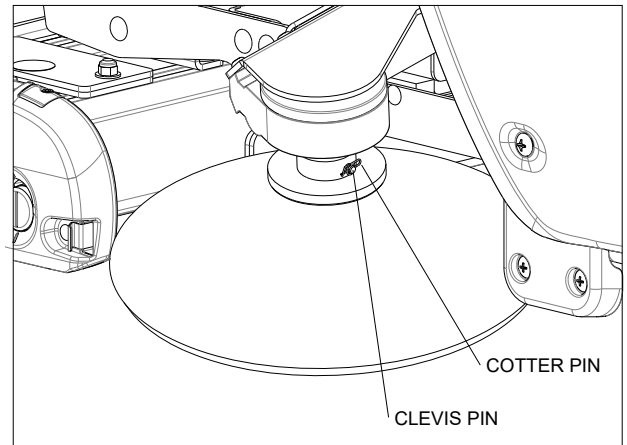
## Brush Installation

1. Slide brush through door opening and onto drive shaft. Make sure it is fully seated and is driven by the deck system.
2. Rotate the brush caps until the indicator lines on the ends are vertical.
3. Lower the brush door and ensure both spring clips engage.



## Side Broom Removal

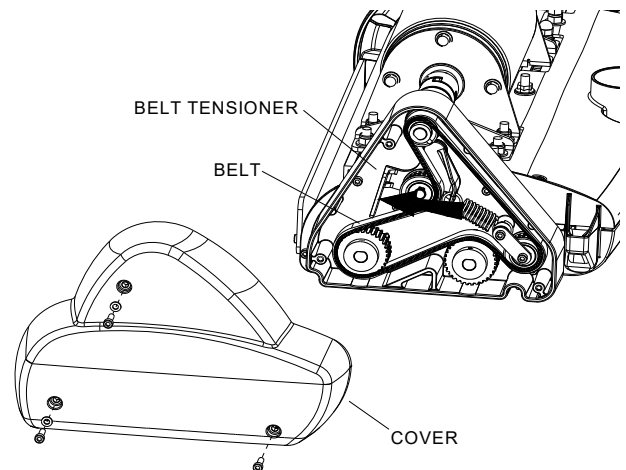
1. Remove cotter and clevis pins from side broom assembly.
2. Slide side broom from assembly.
3. Reverse process to assemble.



## Belt Replacement

1. Remove three (3) cover screws and cover.
2. Push belt tensioner to the left as shown to release belt tension. Remove belt and discard.
3. Thread new belt through pulley's and tensioner.
4. Re-install cover.

*NOTE: Belt must be installed with lettering facing out. If installed incorrectly this may cause excessive noise*



## **Maintenance**

---

### **Remove Brush Deck**

1. Lower brush deck.
2. Turn off machine.
3. Disconnect brush motor power cable.
4. Disconnect vacuum hose from debris tray.
5. Unhook spring lift plate from linkage arms.
6. Remove clevis pin and hardware that connect the crossbar deck bracket to the deck actuator.
7. Remove both halves of the bumper.
8. Remove (2) screws & hardware that fasten linkage arms to front support brackets.
9. Slide deck and linkage arms out left side of the machine.
10. Reverse process to reassemble.

### **Replace Brush Deck Motor**

1. Remove brush deck from machine (see above).
2. Remove (2) shaft cover nuts holding shaft cover in place and remove shaft cover.
3. Remove (4) nuts to free motor mounting bracket from deck.
4. Remove motor with attached coupler hub.
5. Remove (6) motor mount bracket face screws.
6. Remove mounting brackets from motor.
7. Remove coupler hub (1 set screw) from old motor for reuse.
8. Reverse process to reassemble with new motor.

### **Brush Deck Actuator Removal/ Replacement**

***FOR SAFETY: Before leaving or servicing machine, stop on a level surface. Turn off machine.***

1. Lower brush deck.
2. Turn off machine.
3. Remove actuator cable from the P clamps holding it in place.
4. Disconnect actuator cable.
5. Remove clevis pin and hardware that connect the deck actuator to the crossbar deck bracket.
6. Remove clevis pin and hardware that connect the deck actuator to the actuator mount bracket.
7. Remove actuator.
8. Remove (2) screws that hold the bracket to the actuator barrel. Separate bracket and remove from barrel.
9. Reverse process to reassemble with new actuator. Actuator will need to be adjusted (see Deck Actuator Adjustment).

## Deck Actuator Adjustment

The actuator will need to be adjusted when replaced.

### To adjust the actuator:

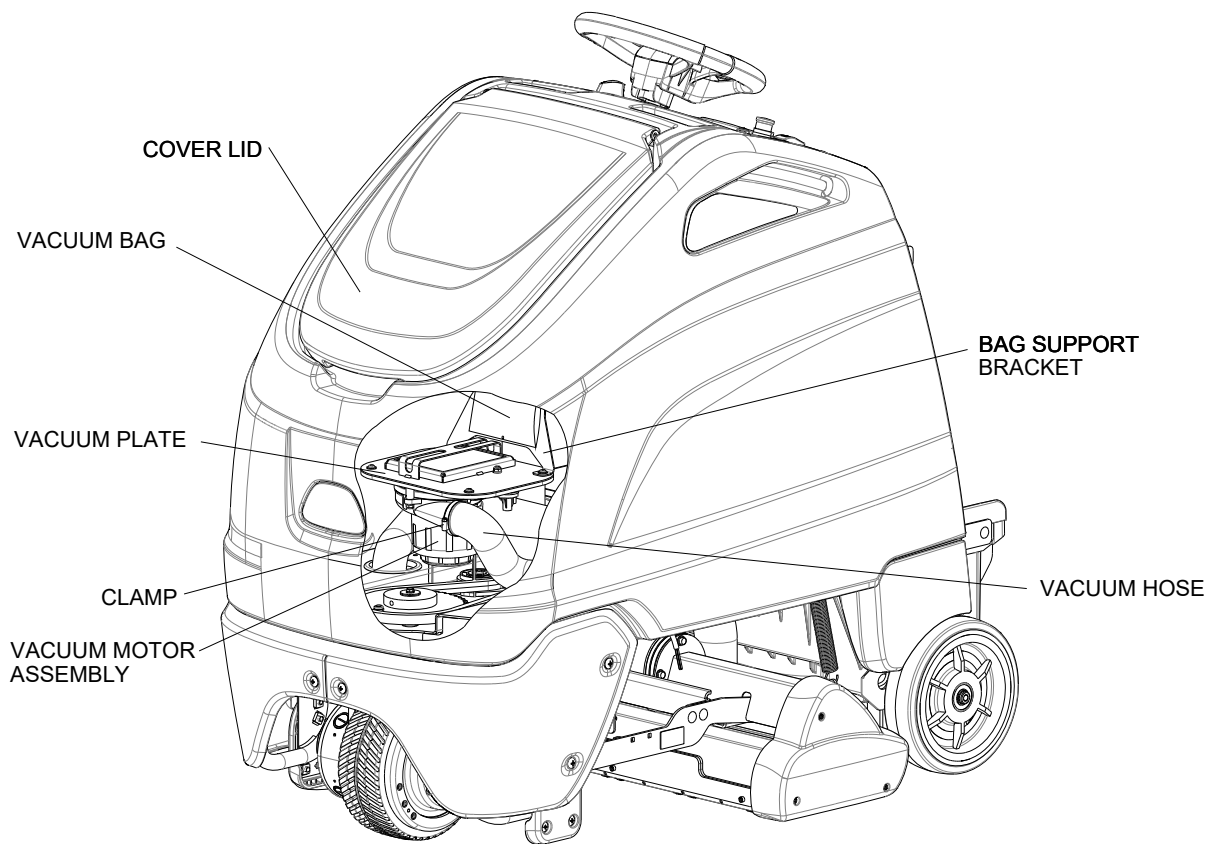
1. While holding the actuator barrel to prevent it from spinning, apply power to the actuator such that it is fully extended. Positive power to white wire, and negative/ground to black. Limit switch within actuator will prevent overtravel.
2. Turn barrel out one or more full turns to assure that when it is retracted it will not bind against itself.
3. While holding actuator barrel to prevent it from spinning, apply power to the actuator such that it is fully retracted. Positive power to the black wire, and negative/ground to white wire. Limit switch within actuator will prevent overtravel.
4. With actuator fully retracted, turn barrel in until it touches the base of the threaded shaft.
5. At the bottomed out position, turn the barrel out one full turn.
6. Connect actuator to lift linkage. If holes in barrel do not align with linkage brackets, turn barrel out only enough for proper alignment.
7. Raise and lower brush deck. Ensure actuator barrel does not bottom out.

## **WARNING:**

**Do not use a pressure washer to clean around the brush motors. Use tap pressure only.**

## Brush Motor Carbon Brush Replacement

1. Scribe alignment marks on motor barrel to motor caps. Remove two bolts.
2. Remove end cap opposite motor shaft from motor.  
*NOTE: Do not lose the three wave washers contained in the motor cap. Note the order of the washers.*
3. Release brush from spring tension. Remove screw connecting brush wire lead to brush holder. Clean brush holder to ensure free movement.
4. Retract spring and install new brush. Install connector screw and lead.
5. When all new brushes are installed, retract each brush until the spring pushing against the side of the brush holds it in place.
6. Carefully place end cap onto bearing on motor shaft.  
*NOTE: Use care to ensure washer alignment.*
7. With end cap in partially installed position, push brushes into contact with motor commutator.  
*NOTE: Failure to ensure all brushes are released will result in motor failure.*
8. Reinstall end caps and realign to scribe marks on motor barrel. Reinstall the two bolts, maintaining alignment between motor barrel and cap.



### **! WARNING:**

Disconnect batteries before working on machine. Only qualified personnel should work inside machine. Always wear eye protection and protective clothing when working on or near batteries. Avoid skin contact with the acid contained in the batteries.

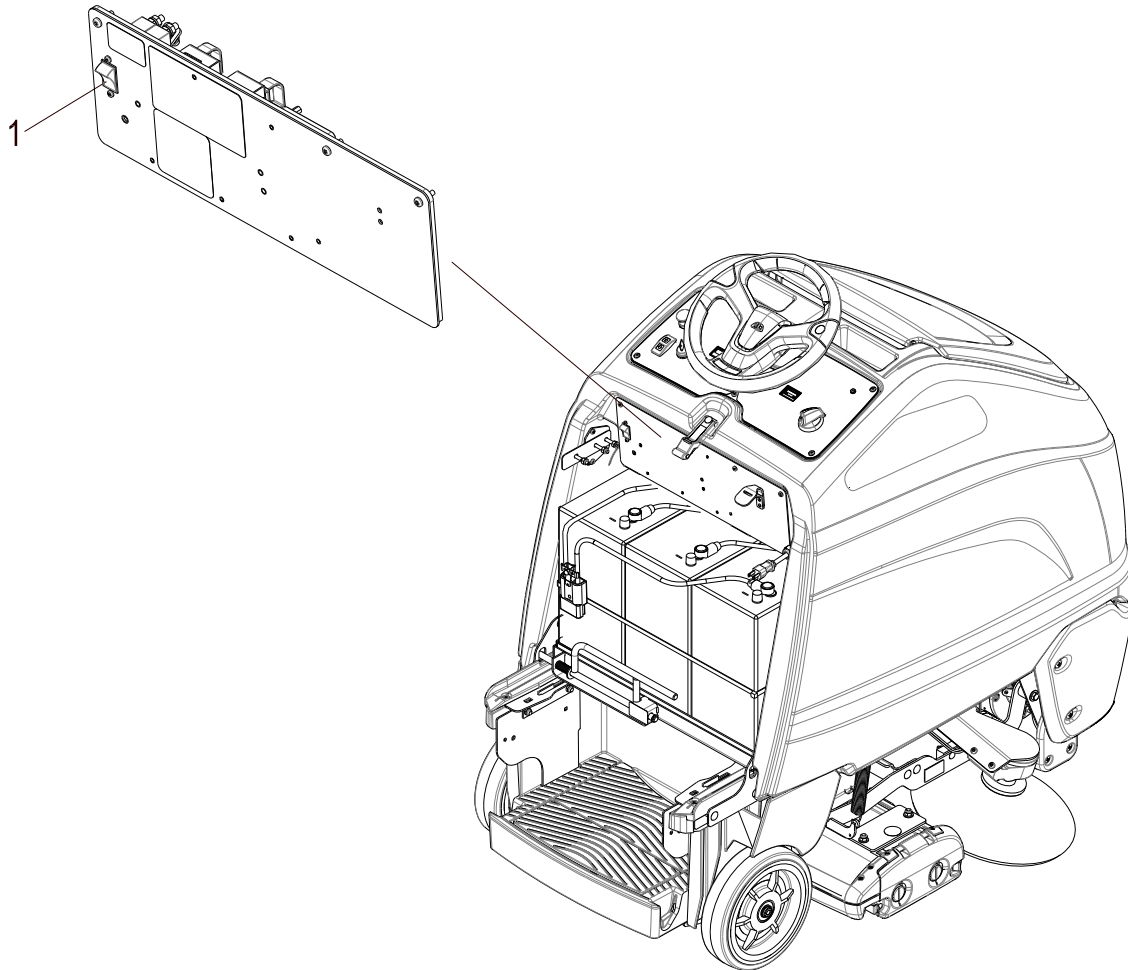
### To Remove Vacuum Motor

1. Turn off machine.
2. Raise cover lid.
3. Remove vacuum bag.
4. Remove (4) screws and hardware holding vacuum plate and bag support bracket cover. Remove (2) nuts holding vacuum motor to vacuum plate. Remove vacuum plate.
5. Loosen hose clamp, then disconnect hose from assembly.
6. Disconnect vacuum motor cables.
7. Remove vacuum motor assembly from machine.
8. Reverse process to assemble.

### Vacuum Motor Carbon Brush Replacement

1. Remove vacuum motor.
2. Remove (2) screws on top of motor case and lift case to reveal coils.
3. Remove (4) brush clamp screws.
4. Remove brushes.
5. Reverse process to assemble with new brushes.

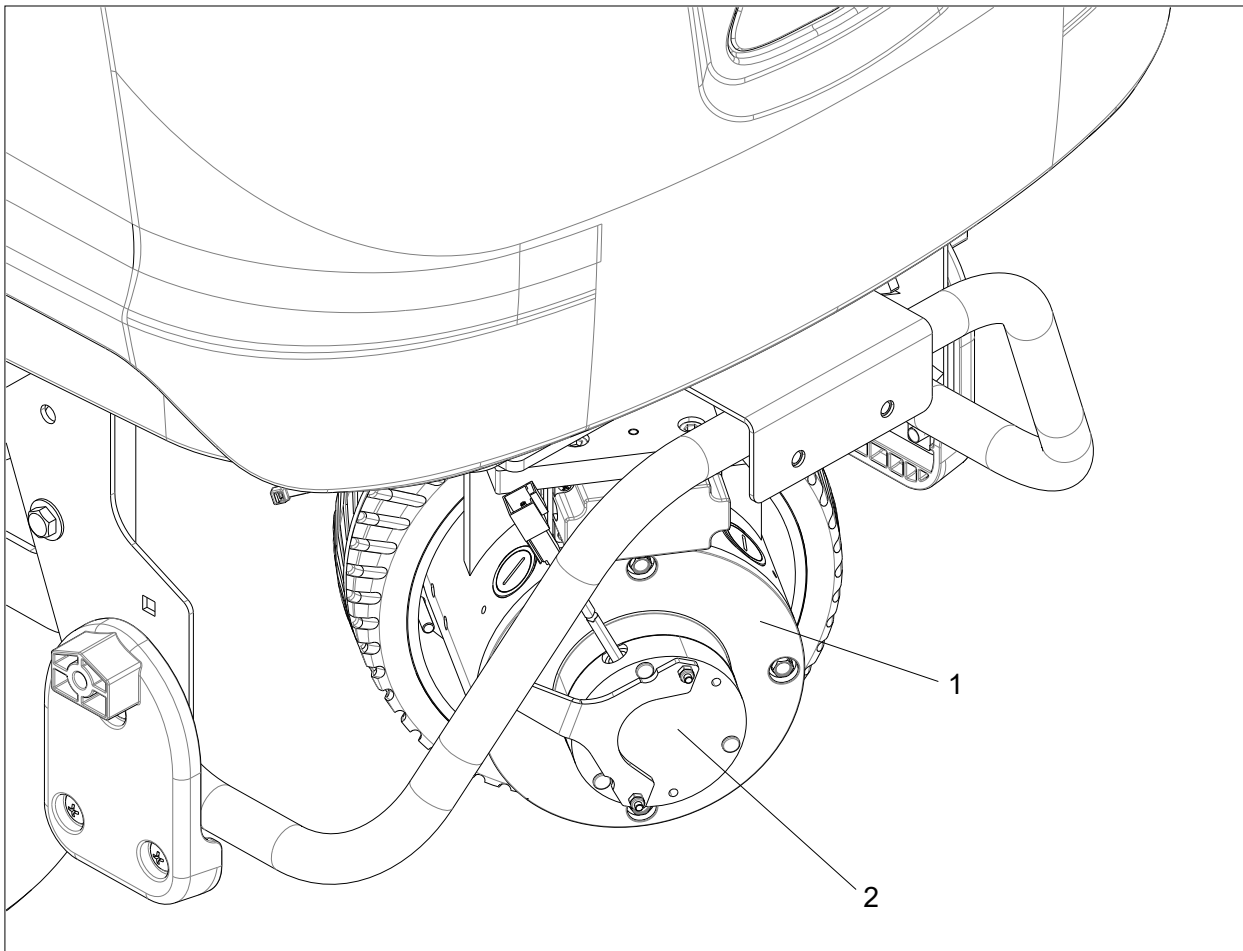
## Circuit Protection



### Circuit Breakers

#### 1. MAIN CIRCUIT BREAKER

Interrupts the flow of power from batteries in the event of an electrical overload. When the circuit breaker is tripped, it can be reset by pressing the toggle switch. If the circuit breaker continues to trip, the cause of the electrical overload must be corrected.



**Drive Motor**

- 1. Drive Motor
- 2. Brake



## Electric Brake Engagement

**FOR SAFETY:** Before leaving or servicing machine, stop on a level surface, turn off machine and remove key.

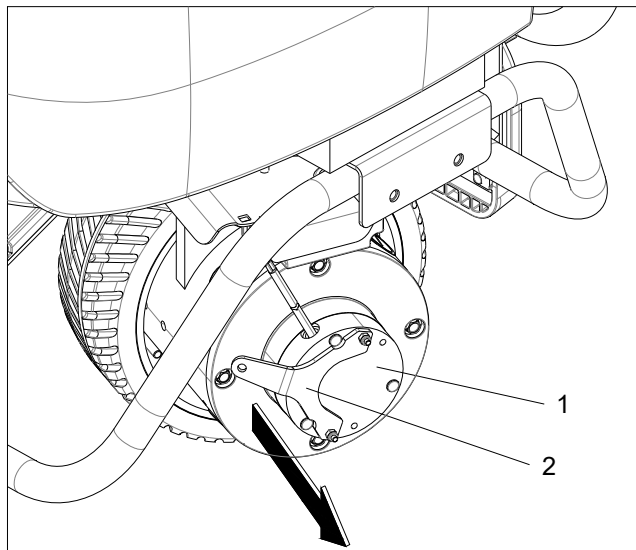
## Electric Brake Engagement

This machine is equipped with an electric brake.

The brake automatically engages and keeps the machine from moving whenever the operator steps off the platform or when emergency stop is engaged.

The brake has a mechanical over-ride that can be engaged so machine can be pushed or towed (slowly).

### To disengage brake:



1. Pull lever away from brake housing.
2. Insert material to hold brake lever away from brake housing.

### **! WARNING:**

Do not operate machine with brake disengaged.

## Drive Motor Carbon Brush Replacement

### **! WARNING:**

Do not use a pressure washer to clean around the motors. Use tap pressure only.

**FOR SAFETY:** Before leaving or servicing machine, stop on a level surface, turn off machine and remove key.

1. Disconnect batteries from machine.
2. Remove right bumper.
3. Remove brush caps from motor housing.
4. Remove brushes.
5. Reverse process to reassemble with new brushes.

## Maintenance

### Transporting

#### Pushing Machine

The machine may be pushed for short distances at speeds not to exceed 5 mph. Be careful to avoid damaging machine. The machine may be pushed by hand from the rear.

*NOTE: To avoid damage caused by regenerative voltage, disconnect traction motor before towing or pushing machine.*

#### Machine Tie-Downs

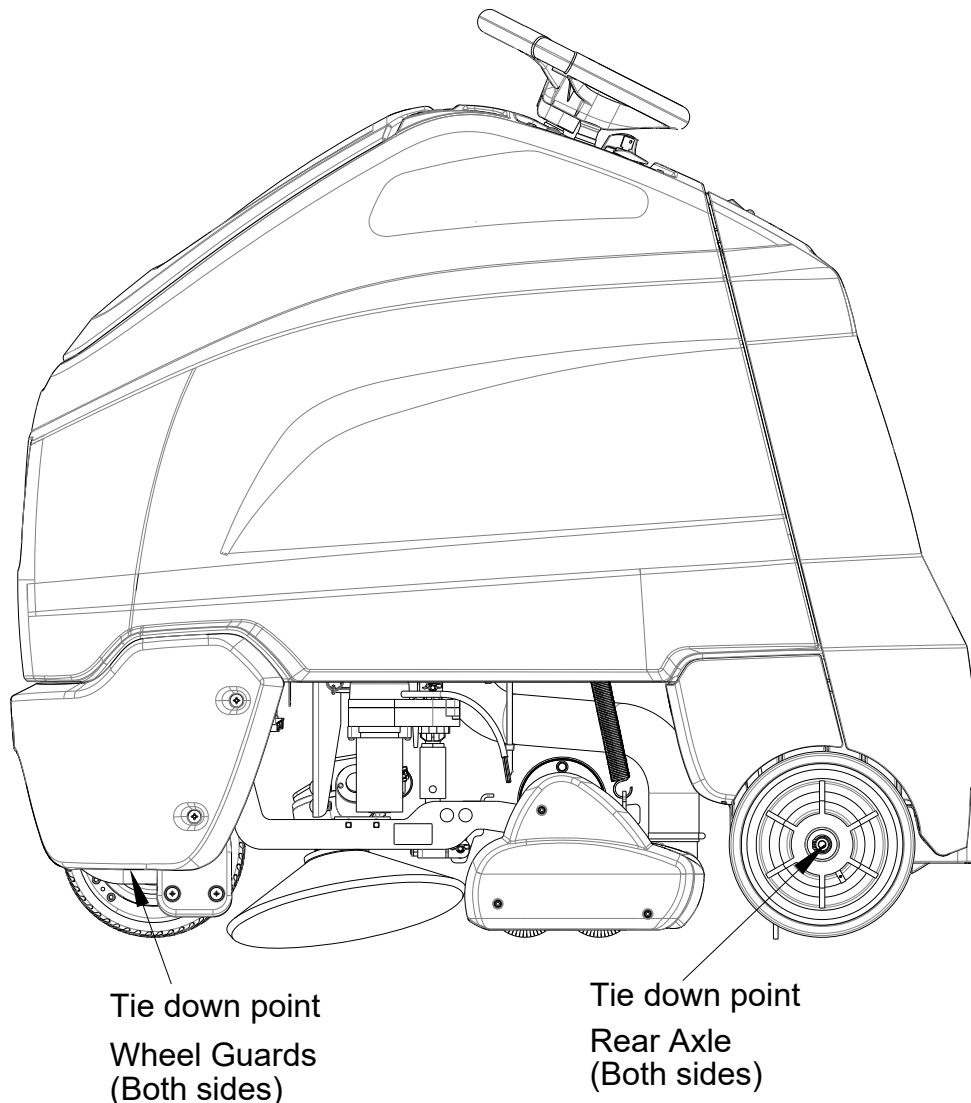
There are four tie down points, two on the front wheel guards, and two on the rear axle located on either side of the foot box.

### Trailer Loading/Unloading

Brush deck must be in the up position before loading.

Once loaded, lower brush deck, turn off machine, and ensure brake is engaged. Block the tires to prevent the machine from rolling and tie down machine using indicated anchor points.

Reverse process to unload.



**Troubleshooting**

<b>PROBLEM</b>	<b>CAUSE</b>	<b>SOLUTION</b>
No power to machine	Battery disconnected	Check all battery cable connections; replace or tighten as necessary.
	Emergency shut-off activated	Reset
	Faulty key switch	Replace switch
	Battery cables corroded	Clean connections
	On board charger plugged in	Unplug and stow cord
	Main circuit breaker tripped	Reset circuit breaker
Little or no propel	Low battery charge	Charge batteries
	Tripped circuit breaker	Reset circuit breaker and check brush
	Controller overheated	Allow cool down period
	Loose motor connection	Check wires and connections from controller to motor, replace or tighten as necessary.
	Faulty throttle circuit or potentiometer	Check wires and connections from throttle to controller and potentiometer resistance, replace or tighten as necessary.
	Faulty drive reset circuit or switch	Check wires, connections and switch, replace or tighten as necessary.
	Faulty platform circuit or switch	Check wires, connections and switch, replace or tighten as necessary.
Machine does not change speeds	Faulty speed control circuit or switch	Check wires, connections and switch, replace or tighten as necessary.
Forward speed only Reverse speed only	Faulty forward/reverse switch	Replace Switch
Vacuum motor does not run, or runs slowly	Faulty vacuum circuit or switch	Check wires connections and motor, replace or tighten as necessary.
	Worn vacuum motor brushes	Replace brushes, check commutator
	Full vacuum bag	Replace vacuum bag
	Clog in vacuum system	Check for and remove debris
	Low battery charge	Charge battery
Poor vacuum performance	Debris caught in system	Remove debris
	Low battery charge	Charge batteries
Brush motors do not run, or run slowly	Full vacuum bag	Replace vacuum bag
	Clog in vacuum system	Check for and remove debris
	Low battery charge	Charge battery
	Worn brush motor brushes	Replace brushes, check commutator
	Faulty brush circuit or motor	Check wires, connections and motor, replace or tighten as necessary.



## **Maintenance**

---

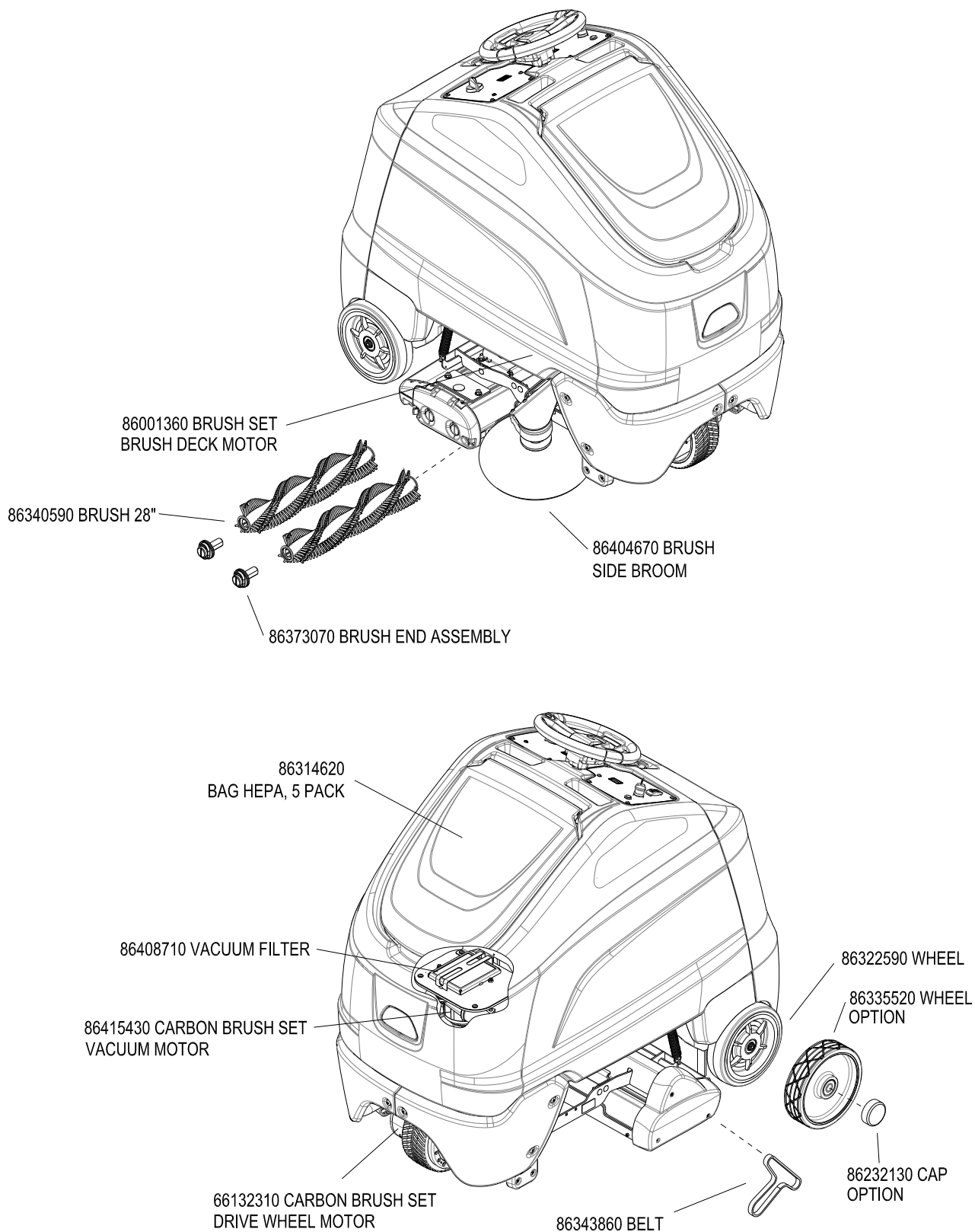
### **Troubleshooting**

<b>PROBLEM</b>	<b>CAUSE</b>	<b>SOLUTION</b>
Poor brushing performance	Debris caught in brushes	Remove debris
	Worn brushes	Replace brushes
	Low battery charge	Charge batteries
Brush deck goes down, then raises	Faulty actuator circuit or actuator	Check wire connections and actuator, replace or tighten as necessary.
Debris tray needs to be emptied too frequently	Excessive amounts of large or heavy material on floor.	Remove debris tray insert
	New carpet	Remove debris tray insert

**Controller Fault Codes**

ERROR CODE DELUXE	PROBLEM	SOLUTION
	TRACTION MOTOR AND CONTROLLER ERROR	THE BATTERY NEEDS CHARGING OR THERE IS A BAD CONNECTION FROM THE BATTERY TO THE TRACTION CONTROLLER. CHARGE BATTERY OR CALL FOR SERVICE AND HAVE TECHNICIAN CHECK WIRING.
	TRACTION MOTOR DISCONNECTED	THE TRACTION MOTOR HAS A BAD CONNECTION. CALL FOR SERVICE AND HAVE TECHNICIAN CHECK WIRING.
	TRACTION MOTOR SHORT CIRCUIT	THE TRACTION MOTOR HAS A SHORT CIRCUIT TO THE BATTERY. CALL FOR SERVICE AND HAVE TECHNICIAN CHECK FOR SHORT CIRCUIT.
	AUX FAULT or DECK ACTUATOR OVERCURRENT	CALL FOR SERVICE AND HAVE TECHNICIAN CHECK AUX OUTPUT DEVICES AND ASSOCIATED WIRING.
	VACUUM MOTOR TRIP	THE VACUUM MOTOR HAS EXCESSIVE CURRENT. CALL FOR SERVICE AND HAVE TECHNICIAN CHECK FOR SHORT CIRCUIT OR OTHER DAMAGE.
	BRUSH MOTOR TRIP	THE BRUSH MOTOR HAS EXCESSIVE CURRENT, CALL FOR SERVICE AND HAVE TECHNICIAN CHECK FOR SHORT CIRCUITS, PADS OR OTHER DAMAGE.
	THROTTLE TRIP ERROR	THE THROTTLE IS DEFLECTED OR ASSOCIATED WIRING HAS A BREAK OR SHORT CIRCUIT. CALL FOR SERVICE AND HAVE TECHNICIAN CHECK THROTTLE AND ASSOCIATED WIRING.
	CONTROL SYSTEM TRIP	THE TRACTION CONTROL SYSTEM IS IN ERROR. CALL FOR SERVICE AND HAVE TECHNICIAN CHECK ALL CONNECTIONS TO THE CONTROLLER.
	SOLENOID BRAKE	THE BRAKE SOLENOID HAS A BAD CONNECTION. CALL FOR SERVICE AND HAVE TECHNICIAN CHECK CONNECTIONS TO THE BRAKE.
	HIGH BATTERY VOLTAGE	EXCESSIVE BATTERY VOLTAGE, CALL FOR SERVICE AND HAVE TECHNICIAN CHECK BATTERY CONDITION.
	MACHINE IS NOT REPORTING TO KÄRCHER FLEET	MACHINES WITH KÄRCHER FLEET SUPPORT, CALL FOR SERVICE. MACHINES WITHOUT KÄRCHER FLEET SUPPORT, NO ACTION REQUIRED.

## Suggested Spare Parts

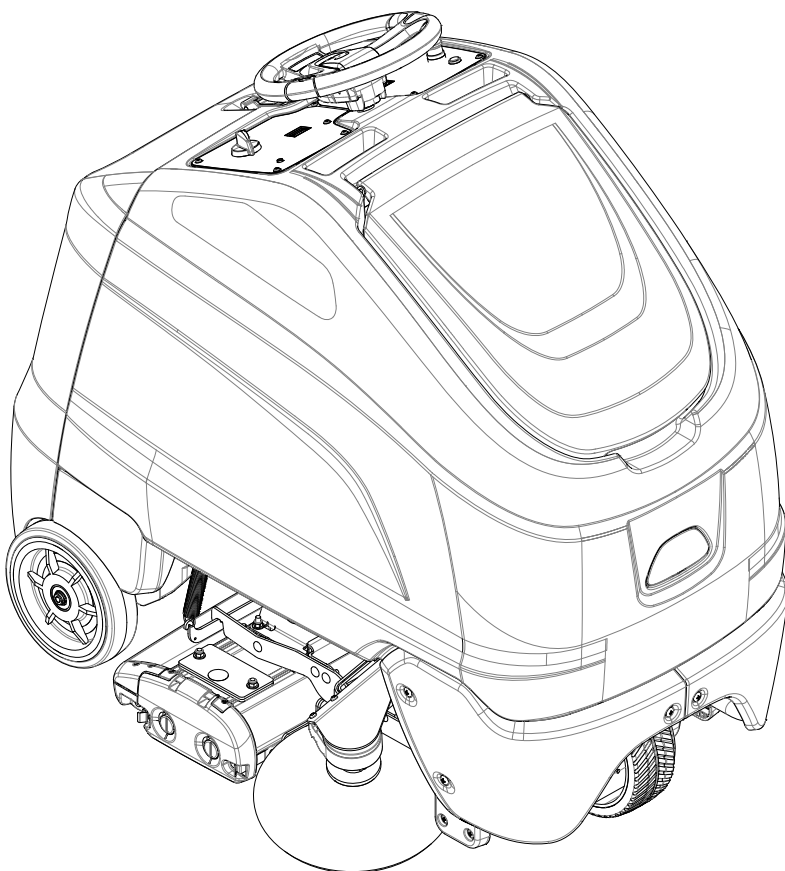


# KÄRCHER

makes a difference

## Chariot 3 - CV 86/1 RS Bp

Français 2



**Register  
your product**

[www.kaercher.com/welcome](http://www.kaercher.com/welcome)



86446720-A 11/03/20

Modèle : \_\_\_\_\_

Date d'achat : \_\_\_\_\_

Numéro de série : \_\_\_\_\_

Détaillant : \_\_\_\_\_

Adresse : \_\_\_\_\_

Numéro de téléphone : \_\_\_\_\_

Représentant commercial: \_\_\_\_\_

### Présentation

Le CV86 ChariotMD est un aspirateur pour grandes surfaces à conducteur debout alimenté par batteries destiné à un usage commercial. Le CV86 ChariotMD brosse et aspire les débris du plancher et les dépose dans le bac à débris et le sac d'aspirateur.

### Modèles

1.008-141.0	CHARIOT 3 CV 86 ATV 205AH SHLF CHRG
1.008-142.0	CHARIOT 3 CV 86 ATV 225AH SHLF CHRG
1.008-143.0	CHARIOT 3 CV 86 ATV 234AH AGM SHLF CHRG
1.008-144.0	CHARIOT 3 CV 86 ATV 205AH OBC
1.008-145.0	CHARIOT 3 CV 86 ATV 225AH OBC
1.008-146.0	CHARIOT 3 CV 86 ATV 234AH AGM OBC
1.008-149.0	CHARIOT 3 CV86 ATV LITHIUM SHELF
1.012-635.0	CHARIOT 3 CV 86 ATV OBC

## Enregistrement de la garantie

Merci d'avoir acheté un produit Kärcher North America. L'enregistrement de la garantie est facile et rapide. Votre enregistrement nous permettra de mieux vous servir tout au long de la durée de vie de votre produit.

Pour enregistrer votre produit, consultez :

<https://www.kaercher.com/us/support/professional-services/professional-warranty-registration.html>

Pour l'assistance client:

1-800-444-7654

**KÄRCHER**



<b>Collecte De Données</b> .....	<b>2</b>	Installation des Brosses .....	35
Présentation .....	2	Retrait du balai latéral .....	35
<b>Table des Matières</b> .....	<b>3</b>	Remplacement de la courroie .....	35
<b>Comment Utiliser Ce Manuel</b> .....	<b>4</b>	Retirer le Pont de Brosses .....	36
 		Remplacer le Moteur du Pont de Brosses .....	36
<b>Sécurité</b>		Ajustement de l'Actionneur de Pont .....	37
Emplacement de Étiquette de Sécurité .....	5	Remplacement de la Brosse de Carbone du Moteur des Brossest .....	37
MESURES DE SÉCURITÉ IMPORTANTES .....	6	Pour Retirer le Moteur de l'Aspirateur .....	38
DEGRÉS DE RISQUES EN CAS DE DANGER .....	7	Remplacement des Brosses de Carbone du Moteur de l'Aspirateur .....	38
 		Protection des Circuits .....	39
<b>Opérations</b>		Moteur d'Entraînement .....	40
Spécifications Techniques .....	8	Application Du Frein Électrique .....	41
Fonctionnement de Cette Machine .....	10	Remplacement Des Brosses De Carbone Du Moteur D'entraînement .....	41
Composants .....	11	Transport .....	42
Contrôles .....	13	Dépannage .....	43
Inspection Préalable de la Machine .....	17	Codes D'erreur du Contrôleur .....	45
Démarrage de la machine .....	17	Pièces de Rechange Suggérées .....	46
Procédures d'Arrêt d'Urgence .....	17		
Passer l'Aspirateur Normalement .....	18		
Pour commencer à passer l'aspirateur .....	18		
Pour Interrompre le Nettoyage au Moyen de l'Aspirateur .....	19		
Changer le Sac d'Aspirateur .....	19		
Retrait du bac à débris .....	19		
Installation du bac à débris .....	19		
<b>Entretien</b>			
Calendrier de Service .....	21		
Batteries .....	22		
Batteries (Pile Liquide Seulement) .....	23		
Chargement des Batteries .....	24		
Chargeur Externe .....	24		
Chargeur Embarqué .....	25		
Changer les Piles .....	26		
Programmation du Chargeur de Batterie .....	27		
<b>Batterie au Lithium (en Option) .....</b>	<b>28</b>		
Limites de Fonctionnement .....	29		
Manutention .....	30		
Installation - Une Seule Batterie .....	30		
Installation .....	30		
Fonctionnement .....	30		
On-Off (marche-arrêt) .....	30		
Chargement .....	31		
Déchargement .....	31		
Entreposage .....	31		
Protection et Anomalies .....	31		
Défaillances et Mesures Correctives .....	31		
Service et Entretien .....	32		
Dépannage .....	32		
Pont de Brosses .....	34		
Retrait des Brosses et Nettoyage du Roulement ..	35		

## **Comment Utiliser Ce Manuel**

Le présent manuel contient les chapitres suivants :

- Comment Utiliser Ce Manuel
- Mesures De Sécurité
- Fonctionnement De La Machine
- Entretien

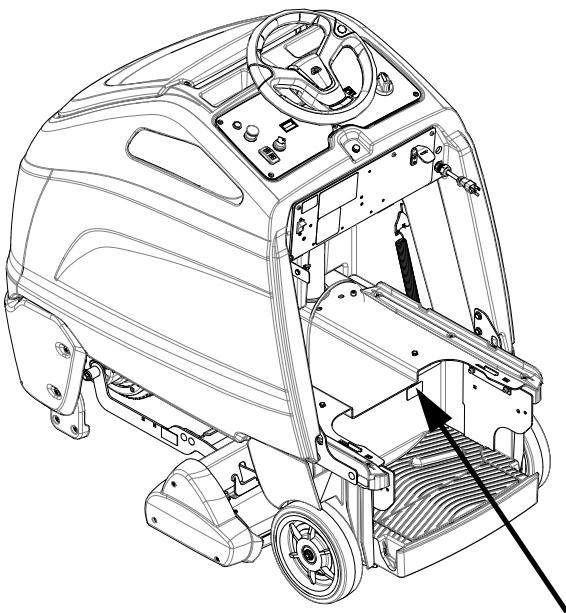
La partie intitulée COMMENT UTILISER CE MANUEL indique comment trouver les informations permettant de commander les pièces détachées adéquates.

Les pièces détachées peuvent être commandées auprès de distributeurs agréés. Lors de la commande de pièces détachées, il est important de fournir le modèle et le numéro de la machine utilisée. Se référer pour cela aux DONNÉES MACHINE complétées au cours de l'installation de la machine.

Elles sont situées à l'intérieur de la couverture de ce manuel.

Modèle : \_\_\_\_\_  
Date d'achat : \_\_\_\_\_  
Numéro de série : \_\_\_\_\_  
Détaillant : \_\_\_\_\_  
Adresse : \_\_\_\_\_  
Numéro de téléphone : \_\_\_\_\_  
Représentant commercial: \_\_\_\_\_

Le numéro de modèle et de série de votre machine sont situées à l'avant du logement pour pile de la machine.



Le chapitre intitulé MESURES DE SÉCURITÉ comporte des informations importantes en matière de risques et de pratiques sécuritaires relatives à cette machine. Il indique les risques qui pourraient endommager le produit ou provoquer des blessures légères ou même graves pouvant entraîner la mort.

Le chapitre intitulé FONCTIONNEMENT DE LA MACHINE a pour but d'aider l'opérateur à se familiariser avec l'opération et le fonctionnement de la machine.

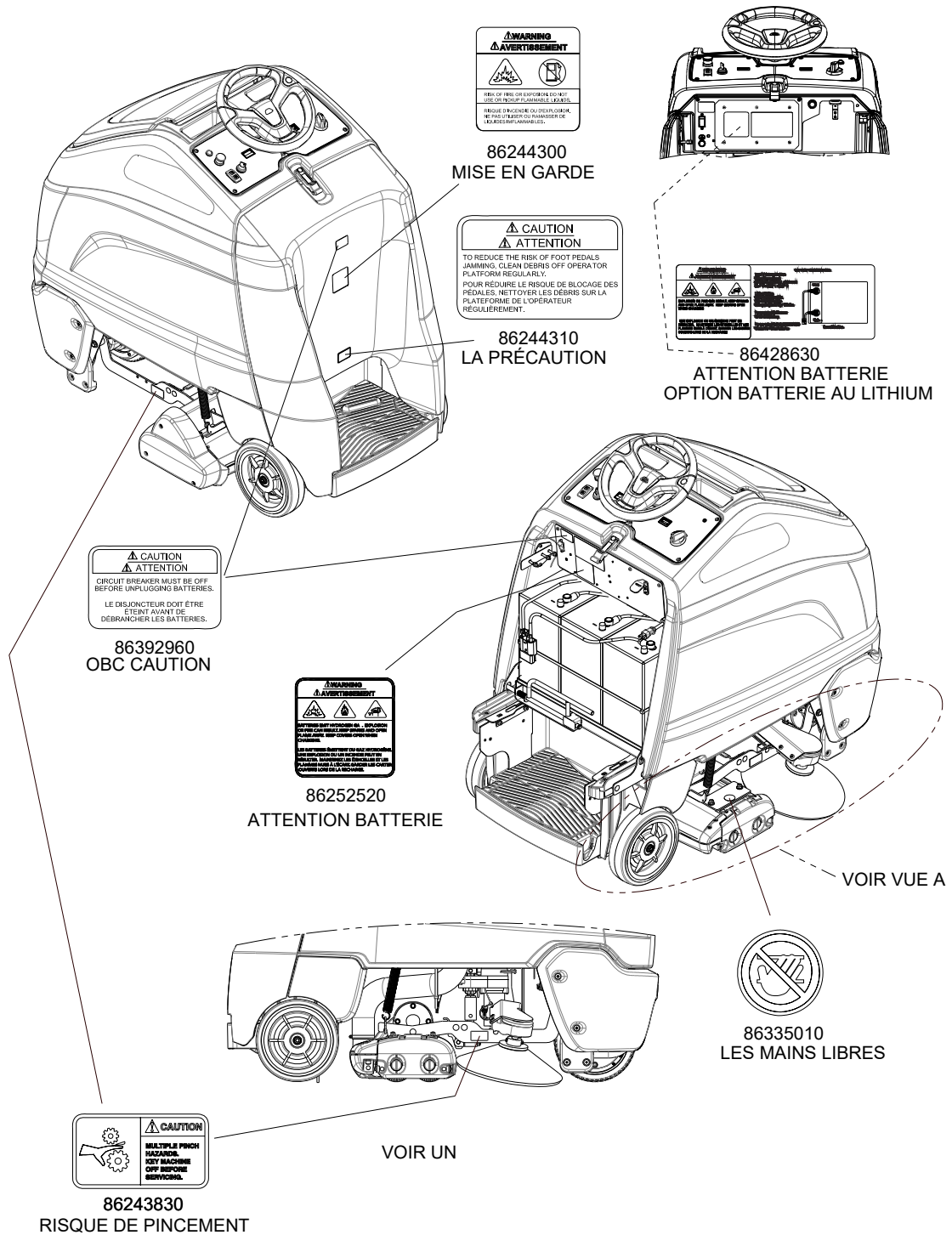
Le chapitre intitulé ENTRETIEN contient les mesures d'entretien préventives permettant de maintenir la machine et ses composants dans un bon état de fonctionnement. Elles concernent de manière générale:

- Calendrier D'entretien
- Batteries
- Pont de Brosses
- Aspirateur
- Moteur d'entraînement et Frein
- Dépannage

*REMARQUES: Le nombre sur le coin inférieur droit de la couverture est le numéro de la pièce pour ce manuel.*

## Emplacement de Étiquette de Sécurité

**REMARQUE :** Ces dessins indiquent l'emplacement des étiquettes de sécurité sur la machine. Si, à tout moment, les étiquettes deviennent illisibles, contactez votre représentant autorisé pour un remplacement rapide.



# MESURES DE SÉCURITÉ IMPORTANTES

**Lors de l'utilisation d'un appareil à batteries, il est nécessaire de respecter systématiquement des mesures de sécurité de base, comme suit:**

**PRENEZ NOTE DE TOUTES CES MESURES AVANT D'UTILISER CETTE MACHINE.**

**⚠ AVERTISSEMENT:** Pour réduire les risques d'incendie, de chocs électriques, ou de blessures:

N'utiliser cette machine qu'en intérieur. Ne jamais l'utiliser à l'extérieur ou dans la pluie.

Utiliser cet appareil conformément aux instructions du présent manuel uniquement. N'utiliser que les composants et les accessoires conseillés par le fabricant.

Lorsque la machine ne fonctionnant pas correctement, a fait l'objet d'une chute ou d'une détérioration, a été laissée à l'extérieur, est tombée dans l'eau, la retourner au centre de service agréé.

Ne pas opérer la machine lorsque les conduits de ventilation sont bloqués. Débarrasser les débris des conduits, car ils peuvent réduire l'écoulement d'air.

Cette machine n'est pas adaptée au ramassage de poussières dangereuses

Ne pas l'utiliser près de liquides, de poussières ou de vapeurs inflammables. Ne pas exposer au feu.

L'entretien et les réparations de la machine doivent être effectuées par un personnel qualifié.

Déconnecter les batteries avant de nettoyer la machine ou de la soumettre à un entretien.

Ne pas utiliser de bloc-batterie ni d'appareil visiblement endommagé. Si le compartiment de batterie est endommagé, ne pas toucher au contenu exposé.

Ne pas modifier ni tenter de réparer l'appareil ou le bloc-batterie.

Option pour batterie lithium-ion Pour utilisation avec batterie au lithium Discover 12-36-6700 et chargeur Delta Q QuiQ 1000 avec un algorithme au lithium.

Avant de se débarrasser de la machine, il est nécessaire de retirer les batteries et de les jeter correctement.

S'assurer que toutes les plaques d'avertissement ou de précaution sont lisibles et fixées correctement sur la machine.

Durant la manoeuvre de la machine, prendre garde aux personnes environnantes et notamment aux enfants.

Avant l'utilisation de la machine, veiller à positionner tous les couvercles et portes comme indiqué dans les instructions.

Lorsque la machine est laissée sans surveillance, s'assurer qu'elle ne se déplace pas de manière accidentelle.

Cette machine ne doit être manoeuvrée que par un personnel expérimenté et qualifié.

Lorsque la machine est laissée sans surveillance, la mettre hors tension ou verrouiller l'interrupteur principal afin d'empêcher un emploi non autorisé.

Cette machine a été conçue pour être utilisée avec des brosses spécifiées par le fabricant.

L'utilisation d'autres brosses peut affecter sa sûreté.

N'employez pas sur des surfaces ayant un gradient de plus de 10% (6 degrés).

Ne pas utiliser l'appareil si le filtre ou le sac à poussière n'est pas en place.

## CONSERVER CES INSTRUCTIONS

Les symboles ci-dessous sont utilisés à travers ce manuel comme illustré dans leurs descriptions:

## DEGRÉS DE RISQUES EN CAS DE DANGER

Il existe trois degrés de risques identifiés par les termes signalétiques -AVERTISSEMENT et ATTENTION et POUR VOTRE SÉCURITÉ. Le degré de risque est défini de la manière suivante:

### **⚠ AVERTISSEMENT:**

**AVERTISSEMENT** - Dangers ou méthodes dangereuses qui POURRAIENT provoquer de graves blessures ou entraîner la mort.

### **⚠ ATTENTION:**

**ATTENTION** - Dangers ou méthodes dangereuses qui pourraient provoquer des blessures légères ou une détérioration du produit ou des biens immobiliers.

**POUR VOTRE SÉCURITÉ:** ce signe permet d'identifier les mesures de précaution à prendre pour assurer un bon fonctionnement du matériel.

Rendre compte immédiatement d'une défaillance ou d'une détérioration de la machine. Ne pas utiliser la machine si celle-ci ne fonctionne pas correctement. Lire soigneusement les informations ci-dessous signalant certains dangers potentiels pour l'opérateur de la machine. L'opérateur doit être absolument au courant de ces dangers potentiels. Localiser tous les dispositifs de sécurité sur la machine. Il est conseillé de prendre les mesures nécessaires pour former le personnel opérateur.

### **POUR VOTRE SÉCURITÉ:**

**NE PAS MANOEUVRER LA MACHINE:**

Lorsqu'on n'est pas expérimenté ou qualifié.

Lorsque le guide d'utilisation n'est pas été lu ou compris.

Dans des zones inflammables ou explosives.

Dans des zones où des objets peuvent tomber.

### **LORS DE L'ENTRETIEN DE LA MACHINE:**

Éviter les parties amovibles. Ne pas porter de vêtements amples, tels que des vestes, des chemises ou des vêtements avec manches lors de l'utilisation de la machine. Utiliser les pièces détachées Kärcher North America homologuées.

### **⚠ AVERTISSEMENT:**

**Les batteries émettent le gaz d'hydrogène. L'explosion ou le feu peut résulter. Étincelles de subsistance et flamme nue loin. Compartiment de batterie de subsistance ouvert en chargeant. Étincelles et flammes de subsistance loin des batteries. Ne fumez pas autour des batteries.**

### **⚠ AVERTISSEMENT:**

**Déconnecter les batteries avant de travailler sur la machine. La machine ne doit être confiée qu'à un personnel qualifié. Porter systématiquement des lunettes et des vêtements de protection lors d'une intervention sur les batteries ou aux alentours. Éviter tout contact de la peau avec l'acide contenu dans les batteries.**

### **⚠ AVERTISSEMENT:**

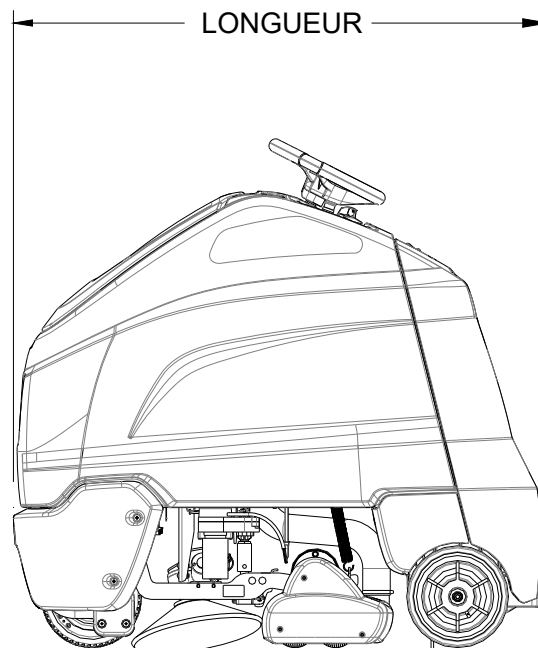
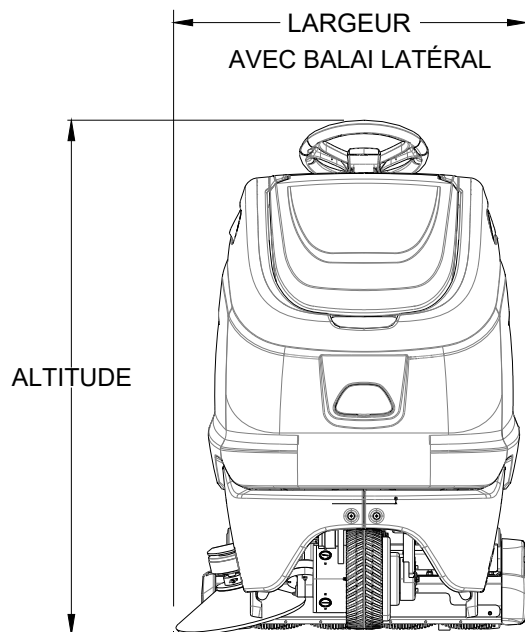
**Ne jamais placer d'objets métalliques sur le dessus des batteries.**

## Opérations

### Spécifications Techniques

ARTICLE	DIMENSION / CAPACITÉ
Puissance nominale	1600 W
Tension nominale	36 Volts DC
Ampérage évalué	43 Amps
Batteries	3 X 12 Volt 205-234 @ 20 hr. rate
Dimensions du compartiment à piles	21 pouce X 16 pouce X 17pouce (533mm X 406mm X 432mm)
Batterie, Lithium	38.4 Volts
Batterie, Lithium - Dimensions	(375mm x 347.5 x 471.5 mm)
Moteur de propulsion	0.75HP (560W)
Moteur de brosse	0.5 HP (373W)
Moteur de balai latéral	0.06HP (45W)
Capacité du sac	1006 pouce <sup>3</sup> (16.5L)
Capacité de trémie	43.6 pouce <sup>3</sup> (0.71L)
Pinceaux	Two 28 pouce (71cm) by 4 pouce (10cm) diamètre
Balai latéral	13 pouce(33cm)
Vitesse maximale de la brosse	970 RPM
Vitesse maximale du balai latéral	90 RPM
Moteur d'aspiration	0.94 HP (700W)
Débit maximum du moteur d'aspirateur	120 cfm (56.6 L/sec)
V Fermeture complète du sac d'aspirateur	14-16 inH <sub>2</sub> O (3.5 - 4.0 kPa)
Moteur d'aspiration max.	58.2 pouce H <sub>2</sub> O (14.5 kPa)
Poids (GVW) Poids brut avec batteries et opérateur	958 Lb. (435 Kg)
Poids Vide sans piles ni opérateur	361 Lb. (164Kg)
Pneus	10 pouce (254mm) Solid grey non-marking
Pression de fondation	61psi (420kPa)
Vitesse maximale	3.65 MPH 5.88 Km/h
Construction du cadre	Acier revêtu de poudre
Frein	Frein électrique (engagé lorsque l'opérateur actionne ou E-Stop activé)
Allée minimale	U-Turn 66.92 in. (1700 mm)
Montée et descente maximales	10% (6 degrés)
Pression sonore à l'oreille de l'opérateur (IEC 60704-1)	71.1 dBA Uncertainty 2.8dBA Norme de sol dur propre
Puissance sonore (IEC 60704-1)	84.9 dBA Uncertainty 2.8dBA Norme de sol dur propre
Pression sonore à l'oreille de l'opérateur (IEC 60704-1)	65.8 dBA Uncertainty 2.5 dBA Nettoyage de tapis de jour
Puissance sonore (IEC 60704-1)	84.7 dBA Uncertainty 2.5 dBA Nettoyage de tapis de jour
Mains vibrantes(ISO 5349)	0.77 m/sec <sup>2</sup> Uncertainty .5 m/sec <sup>2</sup>
Pieds de vibration (ISO 5349)	0.08 m/sec <sup>2</sup> Uncertainty .5 m/sec <sup>2</sup>

ARTICLE	MESURE
Altitude	50.0 pouces (1270 mm)
Longueur	52.1 pouces (1323 mm)
Largeur sans pont	30.6 pouces (777 mm)
Largeur du pont	31.9 pouces (811mm)
Largeur avec balai latéral	34.2 pouces (869 mm)



**⚠ ATTENTION:**

Cet appareil n'est pas prévu à l'usage des personnes (enfants y compris) avec des possibilités physiques, sensorielles ou mentales réduites, ou le manque d'expérience et de connaissance, à moins qu'ils aient été donnés la surveillance ou l'instruction au sujet de l'utilisation de l'appareil par une personne chargée de leur sûreté. Des enfants devraient être dirigés pour s'assurer qu'ils ne jouent pas avec l'appareil.

### Fonctionnement de Cette Machine

Le CV86 ChariotMD est un aspirateur automoteur alimenté par batteries destiné à un usage commercial. L'appareil aspire les débris et la poussière du plancher et les recueille dans le bac à débris et le sac jetable.

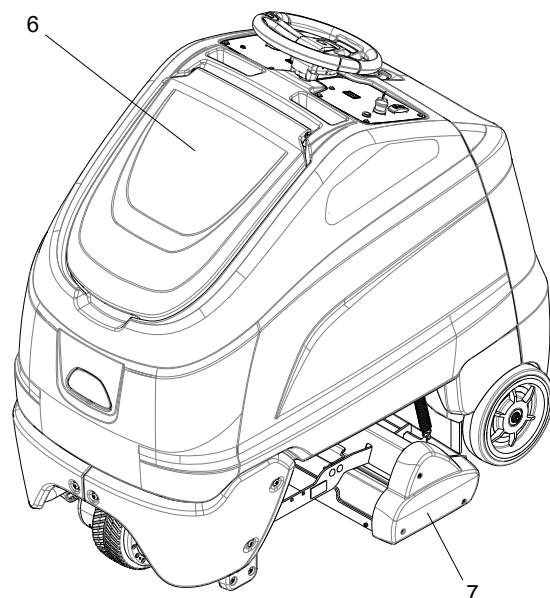
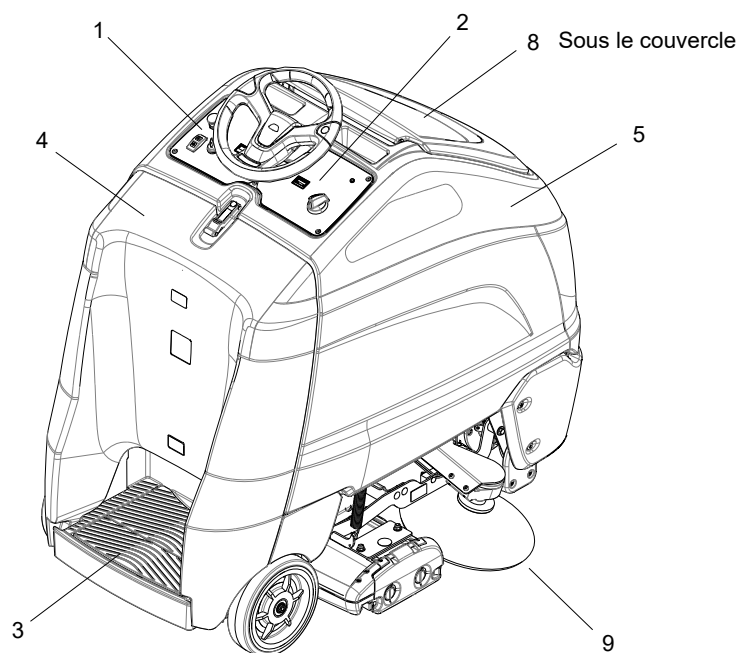
Les principaux systèmes de la machine sont le système de brosses, le système d'aspirateur et le système de commande de l'opérateur. La fonction du système de brosses est de broser le plancher. Le système de brosses est composé de deux brosses de type cylindrique, d'un moteur de brosse, d'un pont de brosses, d'un balai latéral, d'un moteur de balai latéral et de commandes. La brosse avant tourne dans le sens horaire vue du côté droit de la machine. La brosse arrière tourne dans le sens antihoraire. Les deux brosses travaillent agitent le plancher et acheminent les débris dans le pont de brosses. Le balai latéral tourne dans le sens antihoraire selon le point de vue de l'opérateur. Le balai latéral balaie les débris qui se trouvent dans la trajectoire du pont de brosses.

La fonction du système d'aspirateur est d'aspirer les saletés fines et les débris dans le sac d'aspirateur et les gros débris dans le bac à débris. Le système d'aspirateur est composé du bac à débris, du moteur d'aspirateur, du filtre d'aspirateur et du sac d'aspirateur. Le bac à débris capture la saleté du plancher pendant que la machine avance. Le moteur d'aspirateur fournit l'aspiration pour aspirer la saleté fine dans le sac d'aspirateur, et le bac à débris reçoit les gros débris.

La fonction du système de commande de l'opérateur est de contrôler la direction et la vitesse de la machine. Le système de commande directionnelle est composé du poussoir de réarmement de l'entraînement de la commande de direction, de la pédale d'accélérateur, de l'interrupteur d'urgence, du volant, du contrôleur de propulsion et de la roue motrice. Le poussoir de réarmement de l'entraînement de la commande de direction indique la marche avant ou la marche arrière et s'assurer que l'opérateur se trouve sur la plateforme avant la propulsion de la machine. Le contrôleur interprète les signaux de la pédale d'accélérateur pour commander à la roue motrice de propulser ou de ralentir la machine. Le volant pointe la roue motrice dans la direction désirée par l'opérateur. Le frein est appliqué automatiquement lorsque l'opérateur descend de la plateforme, coupe le contact ou active l'interrupteur d'urgence

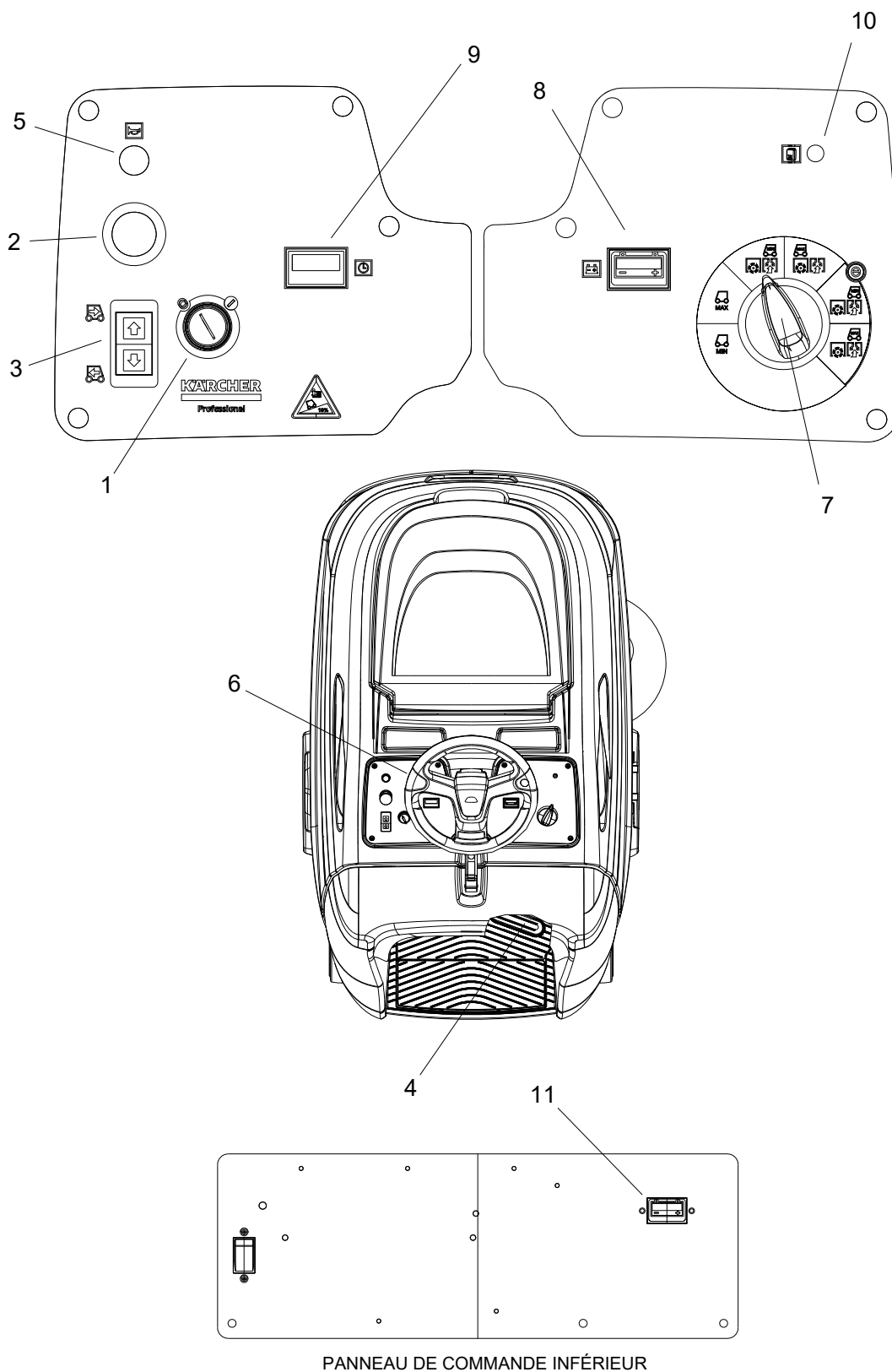
*REMARQUE : tout impact sur la machine risque de causer des dommages*





## Composants

- |                                       |                     |
|---------------------------------------|---------------------|
| 1. Panneau de commande - Entraînement | 6. Couvercle        |
| 2. Panneau de commande - Aspirateur   | 7. Pont de Brosses  |
| 3. Plateforme de la Pédale            | 8. Sac d'aspirateur |
| 4. Couvercle Arrière                  | 9. Balai Latéral    |
| 5. Boîtier                            |                     |



## Contrôles

1. Interrupteur à Clé
2. Interrupteur d'Urgence
3. Poussoir de Réarmement de la Commande de Direction/l'Entraînement
4. Pédale d'accélérateur
5. Bouton du Klaxon
6. Volant
7. Commutateur de Mode des Fonctions
8. Indicateur de Niveau de Charge des Batteries
9. Compteur Horaire
10. Voyant d'État du Sac d'Aspirateur
11. Indicateur d'erreur (Lithium Uniquement)

### 1. Interrupteur à Clé

Contrôle l'alimentation pour les fonctions de la machine.

Pour mettre la machine en marche, tourner la clé dans le sens horaire.

Pour éteindre la machine, tourner la clé dans le sens antihoraire.

Lorsque la clé est mise en position de marche, le symbole de la batterie clignotera pendant que le système effectue des autodiagnostic et retourne le pont de brosses et le balai latéral en position élevée, si nécessaire. Le contrôleur ne répondra à aucune autre commande avant que cette routine ne soit complétée.

### 2. Interrupteur d'Urgence

Ce dispositif de sécurité est conçu pour couper toute alimentation vers la machine en tout temps et appliquer le frein.

Pour mettre la machine hors tension, pousser sur l'interrupteur d'urgence. Cela appliquera également le frein et entraînera l'arrêt immédiat de la machine. Une utilisation excessive de l'arrêt d'urgence peut entraîner une usure prématurée du frein; n'utiliser qu'en cas de nécessité.

Pour relâcher l'interrupteur d'urgence, tourner l'interrupteur dans le sens horaire.

### 3. Poussoir de Réarmement de la Commande de Direction/l'Entraînement

Ce dispositif de sécurité est conçu pour assurer l'engagement sûr de la transmission. Chaque fois que la machine est mise sous tension, ou chaque fois qu'un opérateur monte sur la plateforme, le poussoir de réarmement de l'entraînement doit être enfoncé avant que la machine ne soit propulsée. Contre la direction du déplacement du véhicule. La flèche allumée sur l'interrupteur indique la direction du déplacement.

Pour aller de l'avant, appuyer sur le dessus de l'interrupteur.

Pour faire marche arrière, appuyer sur la partie inférieure de l'interrupteur.

## Opérations

### 4. Pédale d'accélérateur

Contrôle la vitesse du véhicule en fonction du réglage de commande de la vitesse sélectionné. Appuyer sur la pédale entraîne le déplacement de la machine dans la direction sélectionnée par l'interrupteur de la commande de direction.

Pour augmenter la vitesse, augmenter la pression sur la pédale

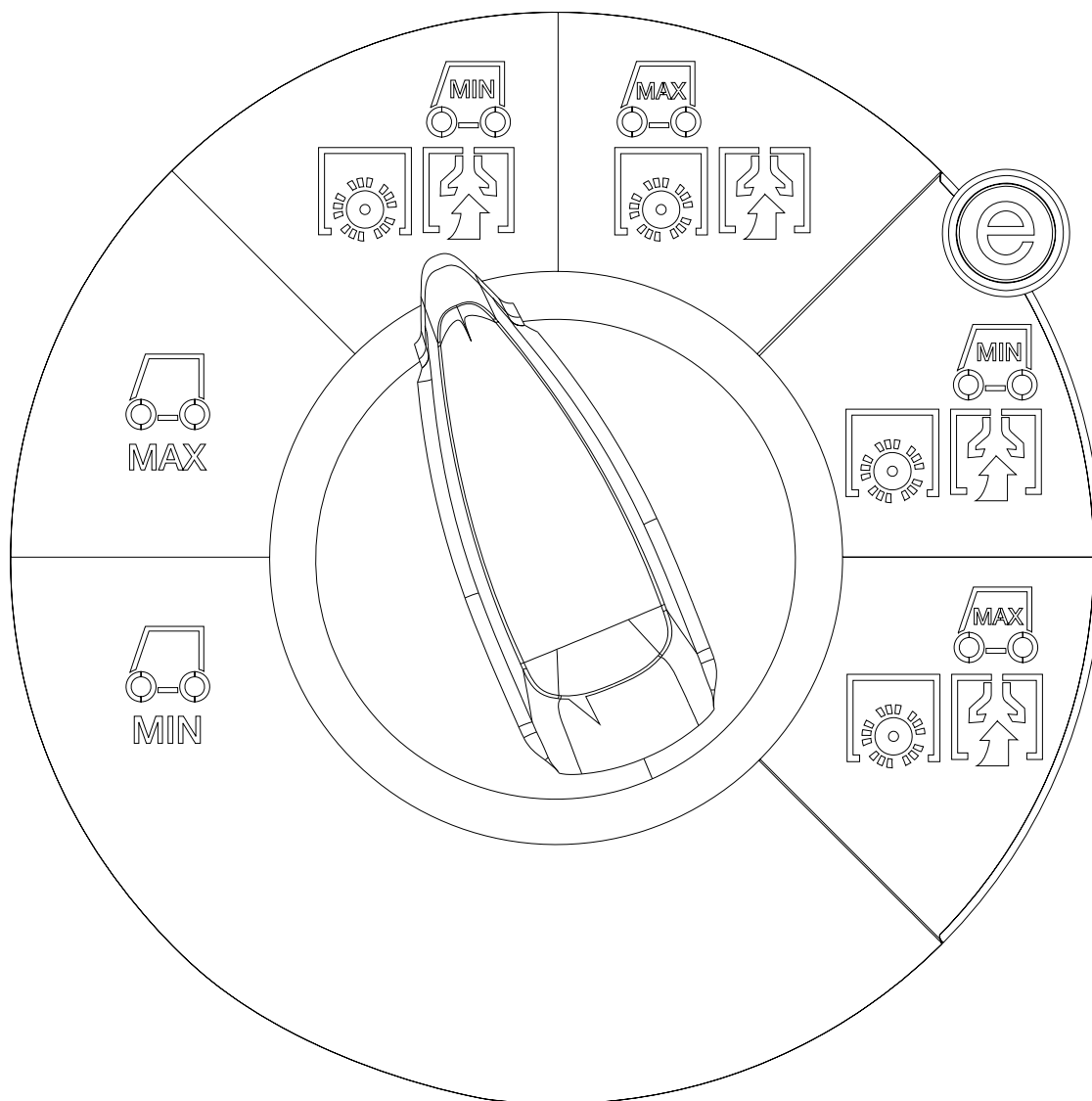
### 5. Bouton du klaxon

Le klaxon est activé en appuyant sur le bouton du klaxon.

### 6. Volant

Le volant permet de tourner la roue avant, ce qui amène la machine à changer de direction.

### 7. Commutateur de mode des fonctions



## Transport Lent



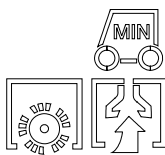
Ce mode est utilisé pour le transport de la machine. Dans ce mode, la machine sera propulsée à basse vitesse. Le pont de brosses « flottant » et le balai latéral se trouvent en position relevée. Les brosses, le balai latéral et l'aspirateur sont désactivés.

## Transport Rapide



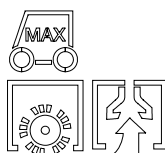
Ce mode est utilisé pour le transport de la machine. Dans ce mode, la machine sera propulsée à haute vitesse. Le pont de brosses « flottant » et le balai latéral se trouvent en position relevée. Les brosses, le balai latéral et l'aspirateur sont désactivés.

## Aspirateur Profond



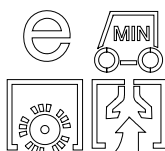
Ce mode est utilisé pour un nettoyage en profondeur. Dans ce mode, la machine sera propulsée à basse vitesse. Le pont de brosses « flottant » et le balai latéral se trouvent en position abaissée. Les brosses s'agiteront, le balai latéral recueillera les débris qui se trouvent dans la trajectoire du pont. L'aspirateur aspirera la saleté et les débris dans le bac à débris dans le sac d'aspirateur.

## Aspirateur Léger



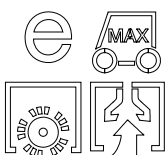
Ce mode est utilisé pour un nettoyage léger. Dans ce mode, la machine sera propulsée à haute vitesse. Le pont de brosses « flottant » et le balai latéral se trouvent en position abaissée. Les brosses s'agiteront, le balai latéral recueillera les débris qui se trouvent dans la trajectoire du pont. L'aspirateur aspirera la saleté et les débris dans le bac à débris dans le sac d'aspirateur.

## Aspirateur de Jour



Ce mode est utilisé pour un nettoyage léger. Dans ce mode, la machine sera propulsée à haute vitesse. Le pont de brosses « flottant » et le balai latéral se trouvent en position abaissée. Les brosses s'agiteront, le balai latéral recueillera les débris qui se trouvent dans la trajectoire du pont. L'aspirateur aspirera la saleté et les débris dans le bac à débris dans le sac d'aspirateur.

## Aspirateur à la Jumière de Jour



Ce mode est utilisé pour un nettoyage léger pendant la journée. Dans ce mode, la machine sera propulsée à haute vitesse. Le pont de brosses « flottant » et le balai latéral se trouvent en position abaissée. Les brosses s'agiteront, le balai latéral recueillera les débris qui se trouvent dans la trajectoire du pont. L'aspirateur aspirera la saleté et les débris dans le bac à débris dans le sac d'aspirateur. Les brosses, le balai latéral et l'aspirateur fonctionneront à puissance réduite.

### **8. Indicateur de Niveau de Charge des Batteries**

Indique le niveau de charge des batteries.

L'écran du compteur est divisé en 10 barres. Les barres allumées tout à droite indiquent une charge complète. Les barres clignotantes près du côté gauche indiquent que les batteries doivent être rechargées. Poursuivre le fonctionnement de la machine risquerait d'endommager la machine ou les batteries.

Lorsque la machine passe la nuit avec des batteries qui ne sont pas complètement chargées, l'écran peut indiquer initialement une pleine charge. Il indiquera également une pleine charge si les batteries sont déconnectées, puis reconnectées. Après quelques minutes de fonctionnement, le compteur indiquera le niveau de charge exact

### **9. Compteur d'Heures**

Enregistre le nombre d'heures de fonctionnement des brosses. Cette information est utile pour déterminer le moment de procéder à des opérations d'entretien de la machine.

### **10. Voyant d'État du Sac d'Aspirateur**

Si les conditions de fonctionnement de l'aspirateur sont bonnes, le voyant est vert.

Si les conditions de fonctionnement de l'aspirateur sont mauvaises, le voyant clignote en rouge pendant 1 minute, puis devient rouge en continu et les opérations de nettoyage sont interrompues

### **11. Indicateur d'Erreur (Lithium Seulement)**

Indique toute erreur que la machine pourrait rencontrer lorsque la machine est dotée de batteries au lithium.

## Fonctionnement de la Machine

### Inspection Préalable de la Machine

Effectuer une inspection préalable pour trouver les problèmes éventuels qui pourraient causer une mauvaise performance ou une perte de temps à cause d'une panne. Suivre la même procédure chaque fois pour éviter de manquer des étapes.

*REMARQUE : effectuer une vérification préalable de la machine avant de faire fonctionner la machine. Consulter le Programme d'entretien dans la section Entretien.*

### Démarrage de la machine

**POUR DES RAISONS DE SÉCURITÉ : avant de démarrer la machine, s'assurer que tous les dispositifs de sécurité sont en place et fonctionnent correctement.**

1. L'opérateur doit se trouver sur la plateforme de la pédale. La pédale d'accélérateur doit se trouver en position neutre.
2. Mettre la machine en marche en tournant l'interrupteur à clé dans le sens horaire à la position « ON » (marche).
3. Appuyer sur l'interrupteur de la commande de direction de réarmement de l'entraînement pour définir la direction souhaitée pour le déplacement.
4. Appuyer légèrement sur la pédale d'accélérateur avec le pied droit.

## Procédures d'Arrêt d'Urgence

1. Appuyer sur le bouton d'arrêt d'urgence. Cela serrera le frein et entraînera l'arrêt immédiat de la machine





## Pour Interrompre le Nettoyage au Moyen de l'Aspirateur

1. Relever le pied de la pédale d'accélérateur pour permettre à la pédale de revenir en position neutre.
2. Mettre la machine hors tension ou passer en mode transport seulement.

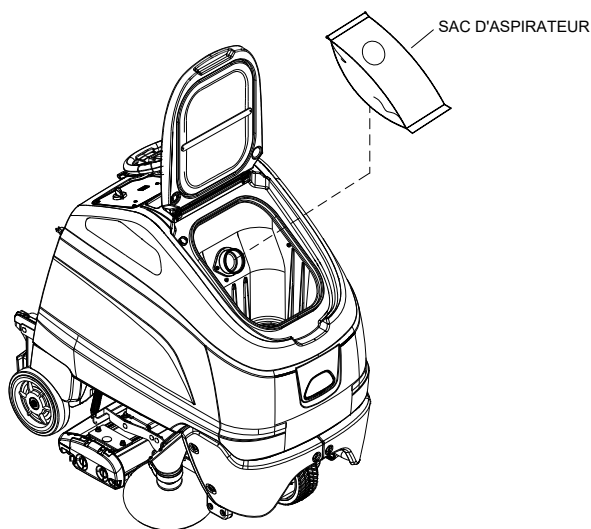
**POUR DES RAISONS DE SÉCURITÉ : avant de quitter la machine ou de procéder à l'entretien : S'arrêter sur une surface plane, arrêter la machine et retirer la clé.**

**Pendant l'utilisation de la machine, aller lentement sur les pentes.**

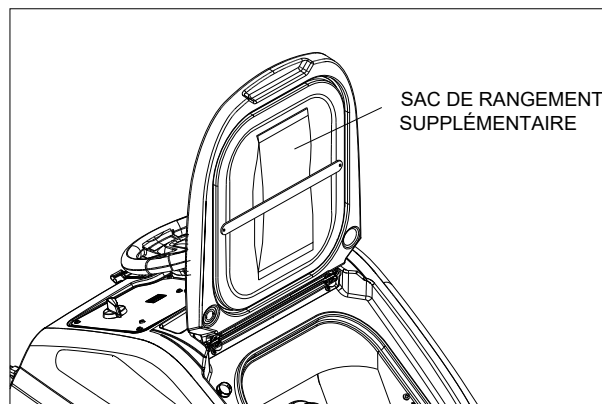
## Changer le Sac d'Aspirateur

Une sangle de rangement du sac pratique se trouve sous le couvercle.

1. Stationner la machine dans une zone plane.
2. Éteindre la machine.
3. Ouvrir le couvercle
4. Retirer la bordure du sac de la buse.



5. Retirer le sac d'aspirateur de la boîte d'aspirateur, puis l'éliminer de manière appropriée.
6. Nettoyer la boîte de l'aspirateur, puis retirer tout débris.
7. Aller chercher un nouveau sac d'aspirateur propre de la sangle de rangement sur le couvercle.



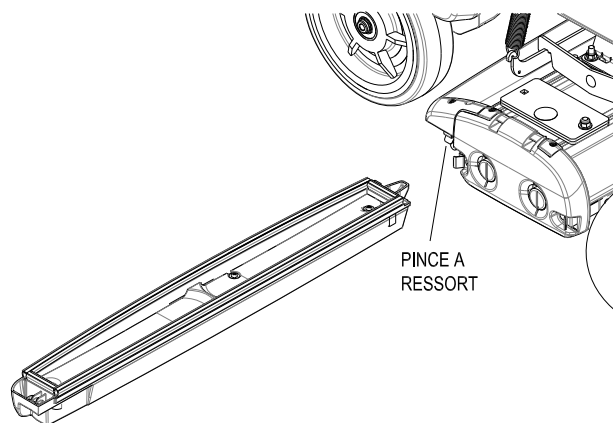
8. Placer un nouveau sac d'aspirateur dans la boîte d'aspirateur, puis pousser le rebord par-dessus la buse.
9. Fermer le couvercle.

## Retrait du bac à déchets

1. Relâcher l'attache à ressort du bac à déchets.
2. Glisser le bac à déchets en l'écartant de la machine.

## Installation du bac à déchets

1. Glisser le bac à déchets dans l'encoche de montage du bac à déchets.
2. Fixer en place avec l'attache à ressort du bac à déchets.

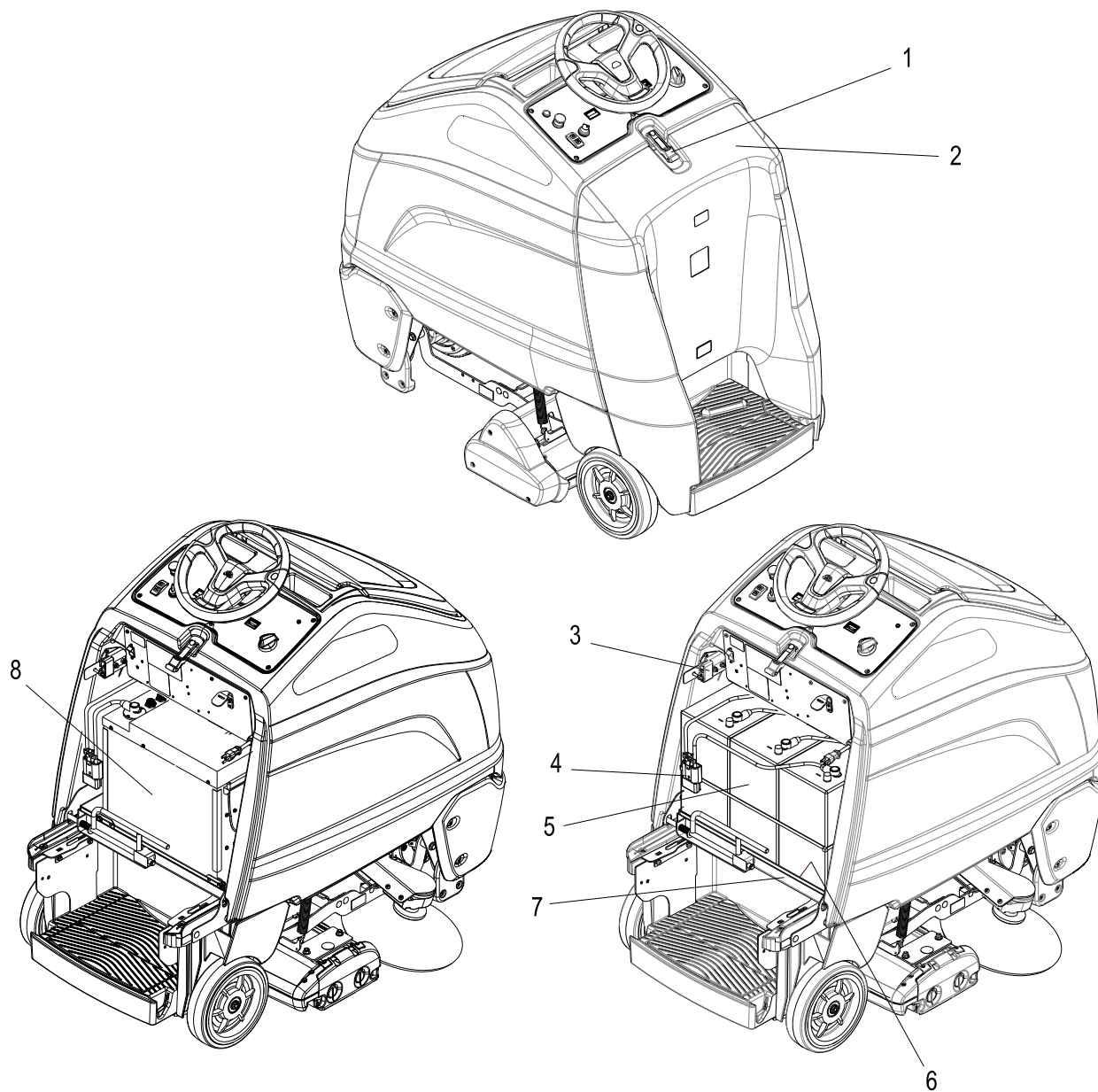




**Calendrier de Service**

ENTRETIEN	AVANT CHAQUE PÉRIODE DE TRAVAIL	APRÈS CHAQUE PÉRIODE DE TRAVAIL	50 HRS	100 HRS	200 HRS
Vérifier le niveau d'eau des batteries après le chargement : ajouter de l'eau distillée le cas échéant. (Pile liquide seulement)	*				
Vérifier que le couvercle de la boîte d'aspirateur se ferme hermétiquement.	*				
Vérifier la présence de dommages ou de pneus usés.	*				
Vérifier que les brosses sont installées correctement	*				
Vérifier les connexions des boyaux de l'aspirateur.	*				
Vérifier la présence d'accumulation de débris dans les boyaux.	*				
Vérifier le bon fonctionnement de la ou des pédales, du frein et du volant.	*				
Nettoyer les brosses et en vérifier l'usure.		*			
Retirer le chapeau de palier de l'extrémité de la brosse. Nettoyer le palier et le chapeau.		*			
Vider le bac à débris.		*			
Vérifier si le sac d'aspirateur est plein et le changer au besoin.		*			
Charger les batteries		*			
Nettoyer le dessus des batteries.			*		
Vérifier les éléments de batterie avec un hydromètre. (Pile liquide seulement)			*		
Vérifier que les connexions des batteries sont bien serrées.			*		
Nettoyer les boîtiers de batterie et le compartiment.				*	
Inspecter et remplacer tous les filtres, y compris le filtre d'évacuation, d'admission et les micro-filtres.				*	
Vérifier le frein.					*
Vérifier tous les moteurs pour la présence d'usure au niveau des brosses de carbone.					*
Vérifier les commutateurs des moteurs.					*
Vérifier le tendeur de chaîne du volant.					*
Vérifier les tiges de garde ATV du pont de brosses pour la présence d'usure excessive.					*
Vérifier le câblage et les autres composants électriques pour la présence d'effilochage, de décoloration par la chaleur, d'isolation fissurée ou durcie, de connexions brisées ou desserrées et d'autres anomalies.					*

## Batteries



1. Fermoir De Couvercle Arrière
2. Couvercle Arrière
3. Connecteur De Batterie - Machine
4. Connecteur De Batterie - Batterie
5. Batteries
6. Revêtement Du Support De Batteries
7. Support De Batteries
8. Batteries - Option Lithium

## Batteries (Pile Liquide Seulement)

Les batteries fournissent la puissance pour faire fonctionner la machine. Les batteries nécessitent un entretien régulier pour assurer leur fonctionnement à leur efficacité optimale.

Les batteries de la machine garderont leur charge pendant de longues périodes, mais elles ne peuvent être rechargées qu'un certain nombre de fois. Pour une durée de vie utile optimale des batteries, les recharger lorsque leur niveau de charge atteint 25 % de la charge complète. Utiliser un hydromètre pour vérifier le niveau de charge.

Ne pas laisser les batteries déchargées pour quelque durée que ce soit. Ne jamais exposer une batterie déchargée à des températures inférieures au point de congélation.

Les batteries déchargées vont geler, ce qui fera craquer les boîtiers. Ne pas utiliser la machine si les batteries sont en mauvaise condition ou si leur charge est inférieure à 25 % (densité relative inférieure à 1,155).

Garder tous les objets métalliques à l'écart du dessus des batteries, car ils risqueraient de causer un court-circuit. Remplacer les câbles et les bornes usés ou endommagés.

Vérifier le niveau d'électrolyte dans chaque élément de batterie avant et après le chargement des batteries. Ne jamais ajouter d'acide aux batteries, utiliser de l'eau distillée. Ne pas laisser le niveau d'eau baisser en deçà des plaques des batteries. Les sections de plaques exposées à l'air seront détruites. Ne pas trop remplir. Garder les fiches fermement en place en tout temps.

### ATTENTION:

Lors de l'entretien de la machine, évitez tout contact avec l'acide de batterie.

### AVERTISSEMENT:

Les batteries émettent du gaz hydrogène. Une explosion ou un incendie peut en résulter. Maintenez les étincelles et les flammes nues à l'écart. Gardez les carters ouverts lors du chargement.

### AVERTISSEMENT:

Portez des lunettes de protection et des vêtements de protection lorsque vous travaillez avec des batteries.

### AVERTISSEMENT:

Chargez les batteries dans un endroit bien ventilé.  
**Entretien des Batteries**

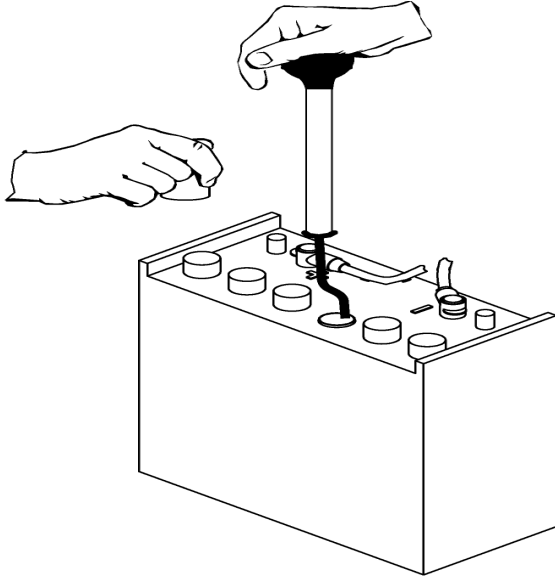
1. Au moment de nettoyer les batteries, utiliser une solution de bicarbonate de soude et d'eau. Ne pas permettre au liquide de nettoyage de pénétrer dans les éléments des batteries, cela aurait pour effet de neutraliser l'électrolyte.
2. Maintenir le niveau d'électrolyte approprié dans chaque élément de batterie. Si un élément déborde accidentellement, nettoyer immédiatement.
3. Essuyer le dessus des batteries au moins une fois par semaine.
4. Tester l'état des batteries à l'aide d'un hydromètre au moins une fois par semaine.
5. S'assurer que toutes les connexions sont serrées et que toute corrosion a été éliminée.

Tous les 4 à 6 mois, retirer les batteries de la machine, puis nettoyer les boîtiers des batteries et le compartiment des batteries.

## Entretien

### Vérification de la Densité Relative des Batteries

Utiliser un hydromètre pour vérifier la densité relative des batteries.



**REMARQUE :** Ne pas faire une lecture immédiatement après l'ajout d'eau distillée; si l'eau et l'acide ne sont pas bien mélangés, la lecture peut ne pas être exacte.

Comparer les lectures de l'hydromètre à ce tableau.

GRAVITÉ SPÉCIFIQUE @ 80 °F (27 °C)	ÉTAT DE LA BATTERIE
1.265	100% CHARGED
1.225	75% CHARGED
1.190	50% CHARGED
1.155	25% CHARGED
1.120	DISCHARGED

**REMARQUE :** si les lectures sont prises alors que la température de l'électrolyte des batteries est autre que 27 °C (80 °F), les lectures doivent être compensées en température. Pour trouver la bonne lecture de la densité relative lorsque la température de l'électrolyte des batteries est autre que 27 °C (80 °F) : ajouter (+) 0,004 à la lecture de la densité relative (4 points) pour chaque 6 °C (10 °F) au-dessus de 27 °C (80 °F). Soustraire (-) 0,004 de la lecture de la densité relative (4 points) pour chaque 6 °C (10 °F) en dessous de 27 °C (80 °F).

### Chargement des Batteries

#### ⚠ ATTENTION:

Lors de l'entretien de la machine, évitez tout contact avec l'acide de batterie.

#### ⚠ AVERTISSEMENT:

Les batteries émettent du gaz hydrogène. Une explosion ou un incendie peut en résulter. Maintenez les étincelles et les flammes nues à l'écart. Gardez les carters ouverts lors du chargement.

#### ⚠ AVERTISSEMENT:

Portez toujours des lunettes et des vêtements de protection pour travailler sur les batteries.

#### ⚠ AVERTISSEMENT:

Chargez les batteries dans un endroit bien ventilé.

### Chargeur Externe

Utiliser un chargeur CC de 36 volts avec une sortie maximale de 20 ampères qui s'éteindra automatiquement lorsque les batteries seront complètement chargées.

1. Arrêter la machine dans un endroit propre et bien ventilé à proximité du chargeur.
2. Mettre la machine en position « OFF » (arrêt).

**POUR DES RAISONS DE SÉCURITÉ :** avant de quitter la machine ou de procéder à son entretien, s'arrêter sur une surface plane, éteindre la machine et retirer la clé.

3. Ouvrir le couvercle arrière, désactiver le disjoncteur, débrancher les batteries de la machine, déverrouiller, puis sortir le support de batteries pour exposer les batteries.

#### ⚠ AVERTISSEMENT:

Les batteries émettent du gaz hydrogène. Une explosion ou un incendie peut en résulter. Maintenez les étincelles et les flammes nues à l'écart. Gardez les carters ouverts lors du chargement.

4. (Pile liquide seulement) Vérifier le niveau d'électrolyte dans chaque élément de batterie. Avant de procéder au chargement, ajouter juste assez d'eau distillée pour couvrir les plaques. Si le niveau d'eau est trop élevé avant le chargement, le taux d'expansion normal de l'électrolyte risque de causer un débordement entraînant une perte d'équilibre de l'acide de batterie et d'endommager la machine. 5.
  5. (Pile liquide seulement) Installer les bouchons de batterie et les laisser en place pendant le chargement.
- POUR DES RAISONS DE SÉCURITÉ : Lors du chargement, connecter le chargeur aux batteries avant de connecter le chargeur à la prise murale CA. Ne jamais connecter le chargeur à la prise murale CA en premier. Cela risquerait de produire des étincelles dangereuses**
6. Brancher le connecteur du chargeur dans le connecteur de batteries. Connecter la fiche CA du chargeur à une prise murale. La jauge du chargeur devrait indiquer que les batteries sont en cours de chargement.
  7. Lorsque les batteries sont complètement chargées, débrancher le chargeur de la prise murale CA, puis débrancher le chargeur des batteries.
  8. (Pile liquide seulement) Vérifier le niveau d'électrolyte. Il devrait se situer au niveau de l'anneau indicateur. Au besoin, ajouter de l'eau distillée. Installer les bouchons de batterie.
  9. Glisser le support de batteries à l'intérieur et le verrouiller en place, brancher les batteries à la machine, activer le disjoncteur, puis fermer le couvercle arrière.
  5. (Pile liquide seulement) Vérifier le niveau d'électrolyte dans chaque élément de batterie. Avant de procéder au chargement, ajouter juste assez d'eau distillée pour couvrir les plaques. Si le niveau d'eau est trop élevé avant le chargement, le taux d'expansion normal de l'électrolyte risque de causer un débordement entraînant une perte d'équilibre de l'acide de batterie et d'endommager la machine.
  6. (Pile liquide seulement) Installer les bouchons de batterie et les laisser en place pendant le chargement.
  7. Relâcher le cordon du chargeur. Connecter la fiche CA du chargeur à une prise murale. La jauge du chargeur devrait indiquer que les batteries sont en cours de chargement. Laisser le couvercle arrière légèrement ouvert pour permettre la ventilation.
  8. Lorsque les batteries sont complètement chargées, débrancher le chargeur de la prise murale CA, puis fixer le cordon du chargeur en place.
  9. (Pile liquide seulement) Vérifier le niveau d'électrolyte. Il devrait se situer au niveau de l'anneau indicateur. Au besoin, ajouter de l'eau distillée. Installer les bouchons de batterie.
  10. (Pile liquide seulement) Glisser le support de batteries à l'intérieur et le verrouiller en place.
  11. Activer le disjoncteur, puis fermer le couvercle arrière.

### Chargeur Embarqué

1. Arrêter la machine dans un endroit propre et bien ventilé à proximité d'une prise CA.
2. Mettre la machine en position « OFF » (arrêt).
3. Ouvrir le couvercle arrière et désactiver le disjoncteur.

### **AVERTISSEMENT:**

**Les batteries émettent du gaz hydrogène. Une explosion ou un incendie peut en résulter. Maintenez les étincelles et les flammes nues à l'écart. Gardez les carters ouverts lors du chargement.**

4. (Pile liquide seulement) Déverrouiller le support de batterie et le retirer pour exposer les batteries.

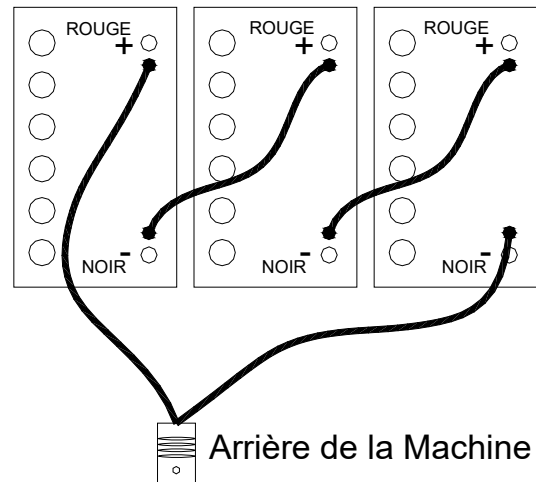
### Changer les Piles

Arrêter la machine dans un endroit propre à proximité du chargeur.

Mettre la machine hors tension.

**POUR DES RAISONS DE SÉCURITÉ : avant de quitter la machine ou de procéder à l'entretien : S'arrêter sur une surface plane, arrêter la machine et retirer la clé.**

1. Retirer le couvercle arrière.
2. Désactiver le disjoncteur, puis déconnecter le support de batteries de la machine.
3. Déverrouiller le support de batteries de la machine, puis le sortir pour exposer les batteries.
4. Utiliser une clé à fourche de la bonne taille pour déconnecter d'abord le fil de mise à la terre principal, puis placer l'extrémité du câble à l'écart des batteries.
5. Déconnecter le fil positif principal et placer les extrémités du câble à l'écart des batteries.
6. Desserrer les deux bornes sur chaque câble de raccordement, puis les retirer une à la fois.
7. Préparer un endroit approprié où placer les batteries.
8. Retirer les batteries de la machine.



### **⚠ AVERTISSEMENT:**

Fixez le dispositif de levage de batterie approprié et levez les batteries de la machine. Les batteries constituent un danger potentiel pour l'environnement. Consultez le fournisseur de votre batterie pour connaître les méthodes d'élimination sûres.



## Chargeur Embarqué (En Option)

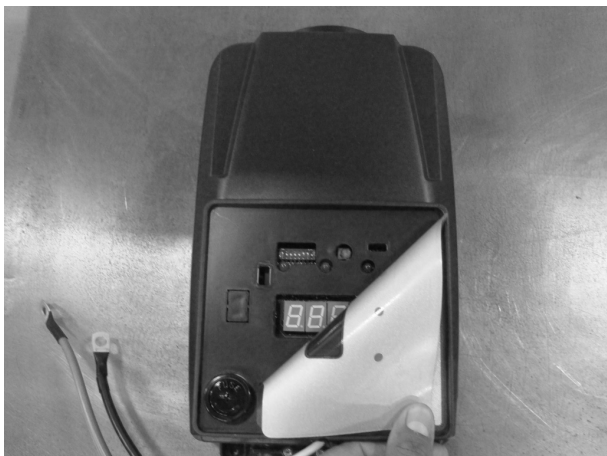
### **⚠ ATTENTION:**

Le disjoncteur doit être coupé avant de débrancher les batteries ou de connecter la fiche CA du chargeur à une prise murale.

### Programmation du Chargeur de Batterie

*Pour les machines dotées d'un chargeur embarqué en option.*

*Au moment de remplacer les batteries, il peut s'avérer nécessaire d'apporter des changements à la programmation du chargeur. Si les batteries sont remplacées par des batteries de même type, (p. ex. des batteries sans entretien remplacées par des batteries sans entretien), aucune programmation n'est requise. Si les batteries sont remplacées par des batteries de type différent (p. ex. des batteries sans entretien remplacées par des piles liquides), des changements doivent être apportés à la programmation. Le non-respect de cette consigne d'apporter des changements à la programmation risquerait de réduire la durée de vie utile des batteries.*



1. Retirer les quatre écrous du support de montage du chargeur. Soulever le chargeur hors du couvercle
2. Enlever l'étiquette sur le chargeur pour accéder aux commutateurs DIP.
3. Changer les commutateurs pour le bon type de batterie.

	DIP 1	DIP 2	DIP 3	DIP 4	DIP 5	DIP 6	DIP 7	DIP 8
LEAD ACID	OFF	ON	ON	ON	OFF	ON	ON	OFF
DISCOVER AGM	ON	OFF	OFF	OFF	OFF	ON	ON	OFF

4. Replacez l'étiquette du chargeur et abaissez le chargeur dans le couvercle. Serrez quatre écrous pour fixer le chargeur au support de montage.

### Batterie au Lithium (en Option)



Ce produit peut être recyclé et est fabriqué avec des produits recyclés.

### Risque Chimique

#### **⚠ AVERTISSEMENT:**

Les batteries au lithium présentent un risque chimique si elles sont mal utilisées, manipulées incorrectement.

#### **Faire :**

- Protéger les bornes contre les courts-circuits avant, pendant et après l'installation
- Porter des gants isolés électriquement
- Utiliser des outils isolés électriquement
- Porter une protection des yeux
- Porter des bottes/chaussures à embout de protection
- Manipuler la batterie avec soins
- Sécuriser la batterie
- Toujours supposer que les bornes de la batterie sont sous tension

#### **Ne pas faire :**

- Ne pas soulever ou transporter la batterie pendant l'utilisation ou le fonctionnement
- Ne pas faire fonctionner ou ranger les batteries à l'extérieur des limites de fonctionnement
- Ne pas court-circuiter la batterie
- Ne pas percer la batterie
- Ne pas exposer la batterie aux flammes ou l'incinérer
- Ne pas ouvrir le boîtier de la batterie ou démonter la batterie
- Ne pas porter de bagues, de montres, de bracelets ou de colliers au moment de la manipulation ou de l'exécution de travaux à proximité de la batterie
- Ne pas échapper ou écraser la batterie
- Ne pas soulever la batterie par les câbles des bornes
- Ne pas faire vibrer la batterie
- Ne pas exposer la batterie à l'eau ou à d'autres liquides
- Ne pas exposer la batterie à la lumière directe du soleil
- Ne pas éliminer la batterie
- Ne pas établir de connexions avec d'autres types de batteries
- Ne pas exposer la batterie à des températures élevées
- Ne pas installer avec d'autres types ou d'autres marques de batteries

## Transport

Si la batterie n'est pas installée dans l'équipement, elle doit être transportée dans l'emballage original ou l'équivalent.

Les batteries sont testées conformément au manuel d'épreuves et de critères des Nations Unies, partie III, sous-section 38.3 (ST/SG/AC. 10/11/ Rév.5). Pour le transport, les batteries font partie de la catégorie UN3480, classe 9, groupe d'emballage II.

## Limites de Fonctionnement

La batterie ne doit pas être utilisées à l'extérieur de ces limites de fonctionnement :

Limites de Fonctionnement	12-36-6700
Courant de charge continu	150A
Courant de décharge continu	150A
Tension de charge	40.8 V
Tension de fonctionnement (Min / Max)	33.6 V / 43.8 V
Température de Charge (Min / Max)	0°C / 45°C (32°F / 113°F)
Température de Décharge (Min / Max)	-20°C / 50°C (-4°F / 122°F)
Température d'Entreposage (Min / Max)	-20°C / 45°C (-4°F / 113°F)

## **⚠ ATTENTION:**

**Ne pas installer de batteries en série. Sélectionner le modèle de batterie AES approprié pour la tension du système.**

*REMARQUE : le contournement intentionnel de la SGB pour utiliser la batterie à l'extérieur des limites maximale et minimale annule la garantie.*

## Fusible

Le fusible fournit une protection de secours contre les surintensités.

## Remplacement du Fusible

Un fusible grillé nécessite un entretien de la part d'un technicien qualifié. Contacter le fournisseur Discover pour plus d'informations.

### Manutention

#### **⚠ AVERTISSEMENT:**

Lire les directives de sécurité avant d'installer la batterie.

- La batterie doit être hors tension.
- Les câbles de batterie doivent être déconnectés.
- Les bornes de la batterie doivent être protégées.
- La poignée de la batterie doit être utilisée pour soulever la batterie.
- La batterie doit être manipulée par deux personnes ou de l'équipement de levage mécanique.
- Ne pas soulever ou transporter la batterie pendant l'utilisation ou le fonctionnement

### Installation - Une Seule Batterie

#### **⚠ AVERTISSEMENT:**

Lire les directives de sécurité avant d'installer la batterie.

#### Outils

- Des outils isolés dont la taille correspond aux écrous, boulons et câbles utilisés.
- Voltmètre
- Nettoyant à borne et brosse métallique
- Équipement de protection individuelle

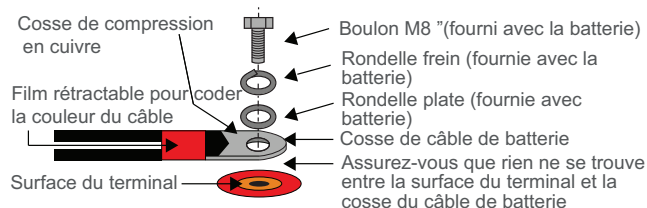
#### Fixation de la Batterie

- La batterie peut être fixée en place avec des sangles en nylon non conductrices.
- La batterie peut être dotée de supports de retenue à sa base.

#### Installation

- Vérifier que la batterie est hors tension
- Si le circuit de la batterie est doté d'un sectionneur, ouvrir le sectionneur pour isoler la batterie.
- Nettoyer les connexions de câble. Les câbles brisés, effilochés, précaires, pliés ou coupés doivent être remplacés.
- Installer la nouvelle batterie et la fixer en place. Prendre soin de ne pas mettre les bornes à la masse avec tout pièces de montage, fixation en métal ou une partie du corps.

- Connecter les câbles de la batterie. Connecter le câble de mise à la masse en dernier pour éviter les étincelles.
- Le couple recommandé pour les bornes est 9,0 Nm (6,64 pi-lb)
- Fermer le sectionneur de circuit (s'il est ouvert)
- Mettre le commutateur de la batterie en position ON (marche).



**REMARQUE :** Toutes les extrémités du câble doivent être connectées aux bornes de la batterie sans aucune rondelle entre les bagues des bornes et les extrémités du câble.

#### La combustion des bornes est causée par :

- Des courants de décharge excédant les limites permises
- Mauvaise installation du câble
- Câble de mauvaise taille
- Couple incorrect de la borne

**REMARQUE :** sans aucune exception, les produits dont les bornes ont été brûlées ne seront pas garantis.

#### Fonctionnement

**REMARQUE :** Passer en revue les limites de fonctionnement

#### On–Off (marche-arrêt)

- Pour activer la batterie, appuyer sur le commutateur et le maintenir enfoncé pendant 2 à 3 secondes.
- Pour désactiver la batterie, appuyer sur le commutateur et le maintenir enfoncé pendant 2 à 3 secondes



## Chargement

Avant d'utiliser le chargeur, s'assurer de lire et de comprendre les instructions qui accompagnent le chargeur.

Ne jamais tenter de charger une batterie sans d'abord passer en revue et comprendre les instructions pour le chargeur utilisé.

### **⚠ ATTENTION:**

**Toujours s'assurer que les chargeurs de courbe respectent l'exigence de charge de la batterie. ne jamais charger une batterie visiblement endommagée; ne jamais charger une batterie gelée.**

1. Connecter les fils du chargeur à la batterie.
2. S'assurer que les connexions des fils du chargeur, à la fois du côté du chargeur et du côté de la batterie, sont bien serrées.
3. Mettre le chargeur sous tension.
4. Mettre la batterie sous tension (le cas échéant).

### **⚠ ATTENTION:**

**TOUS LES CHARGEURS NE SONT PAS APTES À CHARGER DES BATTERIES AU LITHIUM.**

**Durant la conception du système, CONFIRMER que le chargeur que vous avez choisi n'est pas capable d'une hausse de tension dépassant les COTES DE BORNE MAXIMALES de la batterie.**

## Déchargement

- Mettre la batterie sous tension.
- Mettre la charge sous tension.

*REMARQUE : Ne pas décharger la batterie en deçà des tensions de fonctionnement minimales recommandées.*

*REMARQUE : Ne pas décharger la batterie à des taux supérieurs aux courants de fonctionnement recommandés.*

## Entreposage

Les systèmes doivent être entreposés à l'abri de la lumière directe du soleil dans les conditions de température suivantes ::

Température de stockage minimale	-20°C / -4°F
Température de stockage maximale	45°C / 113°F

Le système doit être entreposé dans un état de charge de 80 % et vérifié tous les mois pour s'assurer que l'état de charge du système ne tombe pas en dessous de 20 %/ À l'état de charge 2-%, la batterie s'autodéchargera dans un délai d'environ 2 mois.

## Protection et Anomalies

- Le SGB (système de gestion de la batterie) génère des anomalies lorsque les limites de fonctionnement maximales sont atteintes.
- Le SGB émet un bruit lorsque les limites d'erreurs sont déclenchées.
- Le SGB surveille les informations suivantes pour les anomalies et les avertissements :
  - Tension du module de piles
  - Courant des batteries
  - Température des batteries

## Défaillances et Mesures Correctives

En cas d'anomalie, le SGB (système de gestion de la batterie) émettra un avertissement sonore et le système se désactivera après un délai de 120 secondes.

NIVEAUX D'ANOMALIES	
Paramètre	Point de déclenchement
Température élevée	60°C / 140°F
Tension élevée	de 3,7 V dans un des modules de piles
Basse tension	de 2.5 V dans un des modules de piles
Surintensité	150 A

MESURES CORRECTIVES	
<b>Température élevée</b>	Arrêter la décharge ou la charge Laisser la batterie refroidir
<b>Basse température</b>	Arrêter la décharge ou la charge
<b>Haute tension</b>	Si en cours de chargement, arrêter la charge.
<b>Basse tension</b>	Ne pas décharger la batterie. Tout courant de décharge détecté forcera la batterie à passer en anomalie de basse tension L'utilisateur peut charger la batterie en récupération de basse tension. Si aucun courant de charge n'est détecté dans les 2 minutes, le SGB désactivera la batterie.
<b>Surintensité</b>	Réduire le courant
<b>Faible état de charge</b>	Arrêter la décharge Charger la batterie

## Service et Entretien

Les batteries doivent être régulièrement inspectées minutieusement pour détecter et corriger des problèmes potentiels avant qu'ils ne causent des dommages. Cette routine doit être mise en place dès la réception des batteries.

## Inspection

- Vérifier l'absence de fissures dans le boîtier.
- Vérifier la batterie, les bornes et les connexions pour s'assurer qu'elles sont propres, exemptes de saleté, de liquides et de corrosion.
- Tous les câbles de batterie et leurs connexions doivent être serrés, intacts et NON endommagés ni effilochés.
- Remplacer toute batteries endommagée.
- Remplacer tout câble endommagé.
- Vérifier le couple sur les boulons des bornes.

## Dépannage

La batterie ne s'active pas :

<b>Symptôme</b>	Est-ce que la batterie s'active pendant un bref moment, puis se désactive d'elle-même?
<b>Description</b>	La batterie se trouve probablement en basse tension ou l'état de charge est faible.
<b>Mesure</b>	Connecter au chargeur, puis activer la batterie.

<b>Symptôme</b>	La batterie a-t-elle été laissée activée ou entreposée pendant de longues périodes?
<b>Description</b>	La batterie se désactivera d'elle-même lorsque l'état de charge est de 5 %. Si elle est laissée au repos dans un état de charge faible, la batterie peut s'être déchargée elle-même complètement et ne peut pas être utilisée.
<b>Mesure</b>	Ne pas utiliser. Remplacer et recycler.

## Changer la Pile

Arrêter la machine dans un endroit propre. Mettre la machine hors tension.

**POUR DES RAISONS DE SÉCURITÉ : avant de quitter la machine ou de procéder à son entretien, s'arrêter sur une surface plane, éteindre la machine et retirer la clé.**

1. Retirer le couvercle arrière.
2. Déconnecter la batterie de la machine.
3. Déverrouiller le support de batteries de la machine, puis le sortir pour exposer la batterie.
4. Utiliser une clé à fourche de la bonne taille pour déconnecter d'abord le fil de mise à la terre principal, puis placer l'extrémité du câble à l'écart de la batterie.
5. Déconnecter le fil positif principal et placer les extrémités du câble à l'écart de la batterie.
6. Préparer un endroit approprié où placer la batterie.

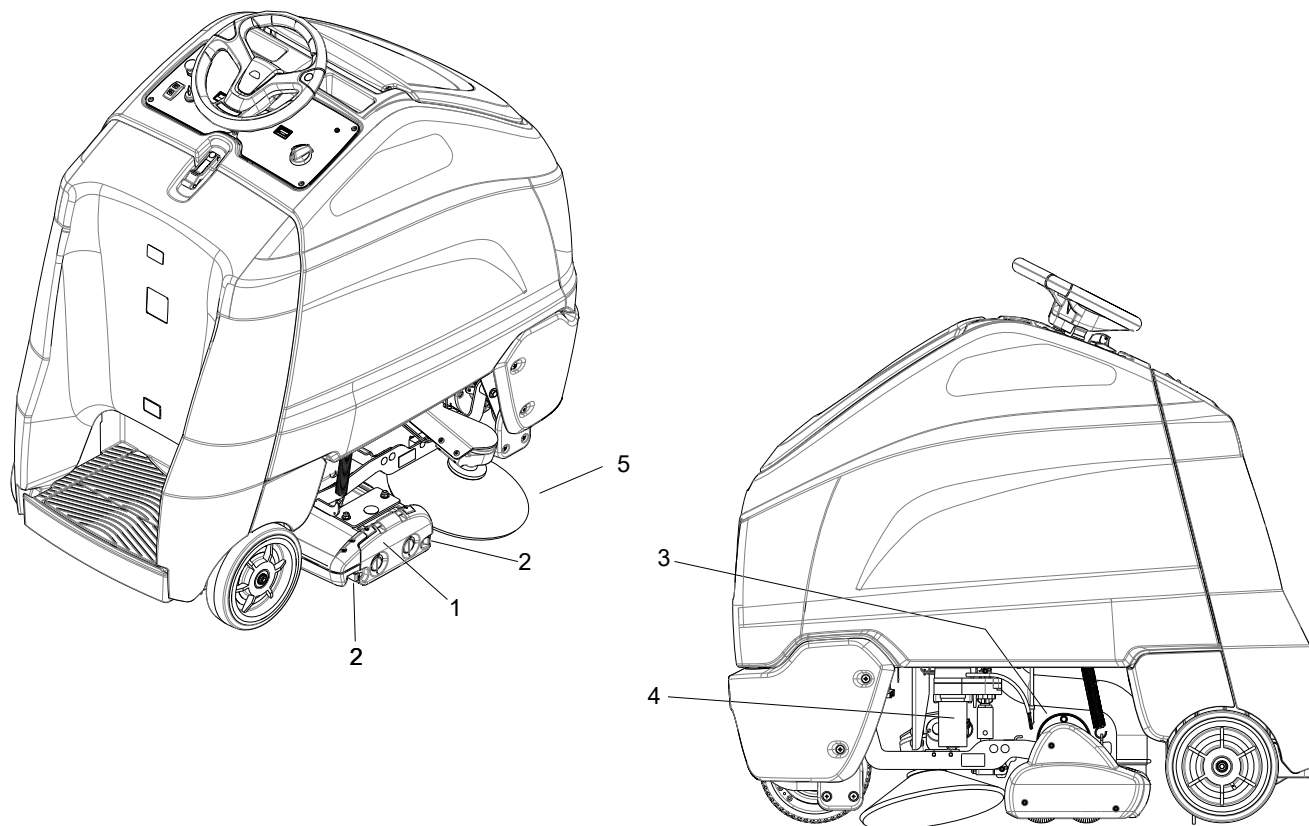
### **⚠ AVERTISSEMENT:**

**Fixez le dispositif de levage de batterie approprié et levez les batteries de la machine. Les batteries constituent un danger potentiel pour l'environnement. Consultez le fournisseur de votre batterie pour connaître les méthodes d'élimination sûres.**

## Recyclage et Élimination

Les batteries ne doivent pas être éliminées avec les déchets domestiques ou industriels. Les systèmes Advanced Energy de Discover sont recyclables et doivent être traités par une agence de recyclage reconnue ou le concessionnaire. Contacter DiscoverMD ou le concessionnaire réparateur pour plus de détails.





### Pont de Brosses

1. Pont de Brosses
2. Attaches de Déclenchement des Brosses
3. Moteur des Brosses
4. Actionneur de Levage de Pont de Brosse
5. Balai Latéral



## Retrait des Brosses et Nettoyage du Roulement

*REMARQUE : Les brosses devraient s'user de manière uniforme d'un côté à l'autre. Les brosses doivent être remplacées comme un ensemble lorsque la longueur des poils s'use jusqu'au niveau des poils jaunes PerformAlertMC.*

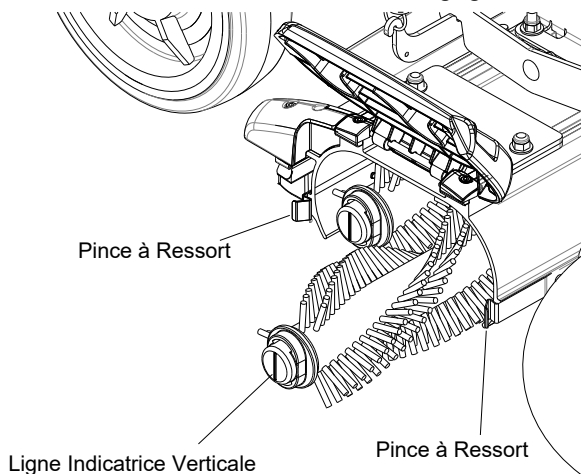
Les brosses sont retirées du côté droit de la machine.

1. Relâcher les attaches à ressort de la porte, puis tourner la porte des brosses vers le haut.
2. Glisser les brosses hors de l'ouverture sur le côté.
3. Retirer le chapeau de palier de l'extrémité de la brosse.
4. Nettoyer les paliers et le chapeau.



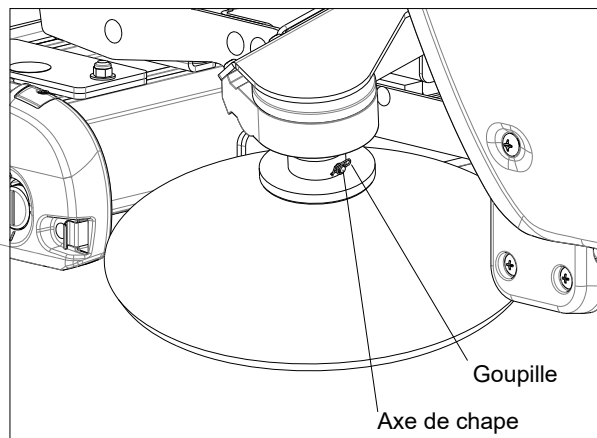
## Installation des Brosses

1. Glisser la brosse dans l'ouverture de la porte, puis dans l'arbre d'entraînement. S'assurer qu'elle repose complètement en place et qu'elle est entraînée par le système du pont.
2. Tourner les chapeaux de la brosse jusqu'à ce que les lignes de l'indicateur sur les extrémités soient verticales.
3. 3. Abaisser la porte des brosses et s'assurer que les deux attaches à ressort sont engagées.



## Retrait du Balai Latéral

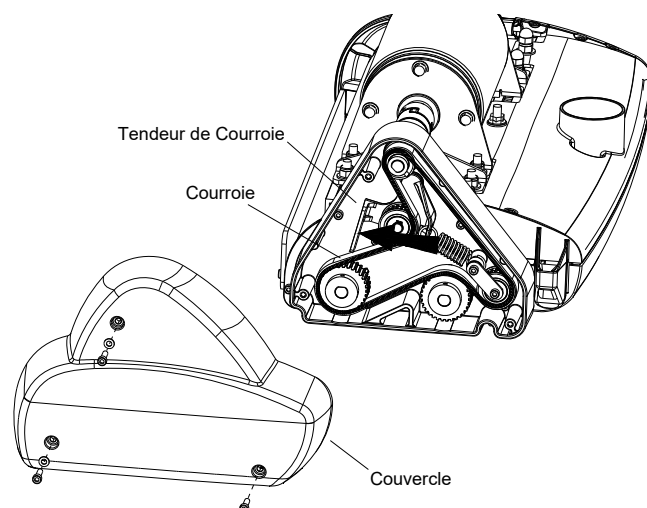
1. Retirer la clavette et les axes à épaulement de l'ensemble du balai latéral.
2. Glisser le balai latéral de l'ensemble.
3. Procéder à l'inverse pour l'assemblage.



## Remplacement de la Courroie

1. Retirer les trois (3) vis du couvercle et le couvercle.
2. Pousser le tendeur de courroie vers la gauche tel qu'illustré pour relâcher la tension de la courroie. Retirer la courroie et la jeter.
3. Enfiler la nouvelle courroie à travers la poulie et le tendeur.
4. Réinstaller le couvercle.

*REMARQUE : La courroie doit être installée avec le lettrage vers l'extérieur. Si la courroie n'est pas installée correctement, cela pourrait produire un bruit excessif*



### Retirer le Pont de Brosses.

1. Abaisser le pont de brosses
2. Éteindre la machine.
3. Déconnecter le câble d'alimentation du moteur des brosses.
4. Déconnecter le boyau de l'aspirateur du bac à débris.
5. Décrocher la plaque de levage à ressort des biellettes de suspension.
6. Retirer l'axe à épaulement et la quincaillerie qui relie le support du pont de la traverse à l'actionneur du pont.
7. Retirer les deux moitiés du butoir.
8. Retirer les (2) vis et la quincaillerie qui retiennent les biellettes de suspension aux supports avant.
9. Glisser le pont et les biellettes de suspension à l'extérieur du côté gauche de la machine.
10. Procéder à l'inverse pour réassembler.

### Remplacer le Moteur du Pont de Brosses

1. Retirer le pont de brosses de la machine (voir ci-dessus).
2. Retirer les (2) écrous du couvercle de l'arbre qui retiennent le couvercle en place, puis retirer le couvercle de l'arbre.
3. Retirer les (4) écrous pour libérer le support de montage du moteur du pont.
4. Retirer le moteur avec le moyeu du raccord.
5. Retirer les (6) vis de la face du support de montage du moteur.
6. Retirer les supports de montage du moteur.
7. Retirer le moyeu du raccord (1 ensemble de vis) du vieux moteur pour le réutiliser.
8. Procéder à l'inverse pour le réassembler avec le moteur neuf.

### Retrait/remplacement de l'Actionneur du Pont de Brosse de Récuration

**POUR DES RAISONS DE SÉCURITÉ : avant de quitter la machine ou de procéder à son entretien, arrêter sur une surface plane. Éteindre la machine.**

1. Abaisser le pont de brosses.
2. Éteindre la machine.
3. Retirer le câble de l'actionneur des pinces en P le retenant en place.
4. Déconnecter le câble de l'actionneur.
5. Retirer l'axe à épaulement et la quincaillerie qui relie l'actionneur du pont au support du pont de la traverse.
6. Retirer l'axe à épaulement et la quincaillerie qui relie l'actionneur du pont au support de montage de l'actionneur.
7. Retirer l'actionneur.
8. Retirer les (2) vis qui retiennent le support au corps de mécanisme de l'actionneur. Séparer le support et le retirer du corps de mécanisme.
9. Procéder à l'inverse pour le réassembler avec l'actionneur neuf. L'actionneur devra être ajusté (consulter Ajustement de l'actionneur de pont).

## Ajustement de l'Actionneur de Pont

L'actionneur devra être ajusté lorsqu'il est remplacé.

### Pour ajuster l'actionneur :

1. Tout en tenant le corps de mécanisme de l'actionneur pour l'empêcher de tourner, appliquer de la tension sur l'actionneur de sorte qu'il soit complètement déployé. La puissance positive au fil blanc, et la puissance négative/masse au fil noir. L'interrupteur de fin de course à l'intérieur de l'actionneur préviendra la surcourse.
2. Tourner le corps de mécanisme d'un ou plusieurs tours pour s'assurer que lorsqu'il est déployé il ne se coince pas sur lui-même.
3. Tout en tenant le corps de mécanisme de l'actionneur pour l'empêcher de tourner, appliquer de la tension sur l'actionneur de sorte qu'il soit complètement rétracté. La puissance positive au fil noir et la puissance négative/masse au fil blanc. L'interrupteur de fin de course à l'intérieur de l'actionneur préviendra la surcourse.
4. Avec l'actionneur complètement rétracté, tourner le corps de mécanisme vers l'intérieur jusqu'à ce qu'il touche la base de l'arbre fileté.
5. Depuis la position la plus basse, tourner le corps de mécanisme vers l'extérieur d'un tour complet.
6. Connecter l'actionneur à la timonerie de levage. Si les trous dans le corps de mécanisme ne sont pas alignés avec les supports de la timonerie, tourner le corps de mécanisme vers l'extérieur juste assez pour un bon alignement.
7. Soulever et abaisser le pont de brosses. S'assurer que le corps de mécanisme de l'actionneur n'atteint pas le point le plus bas.

## AVERTISSEMENT:

**N'utilisez pas de nettoyeur haute pression pour nettoyer autour des moteurs des brosses. Utilisez seulement la pression du robinet.**

### Remplacement de la Brosse de Carbone du Moteur des Brosses

1. Marquer les repères d'alignement sur les capuchons entre le corps de mécanisme du moteur et le moteur. Retirer les deux boulons.
2. Retirer l'arbre du moteur opposé au bouchon d'extrémité du moteur.

*REMARQUE : Ne pas perdre les trois rondelles élastiques ondulées qui se trouvent dans la calotte du moteur. Prendre note de l'ordre des rondelles.*

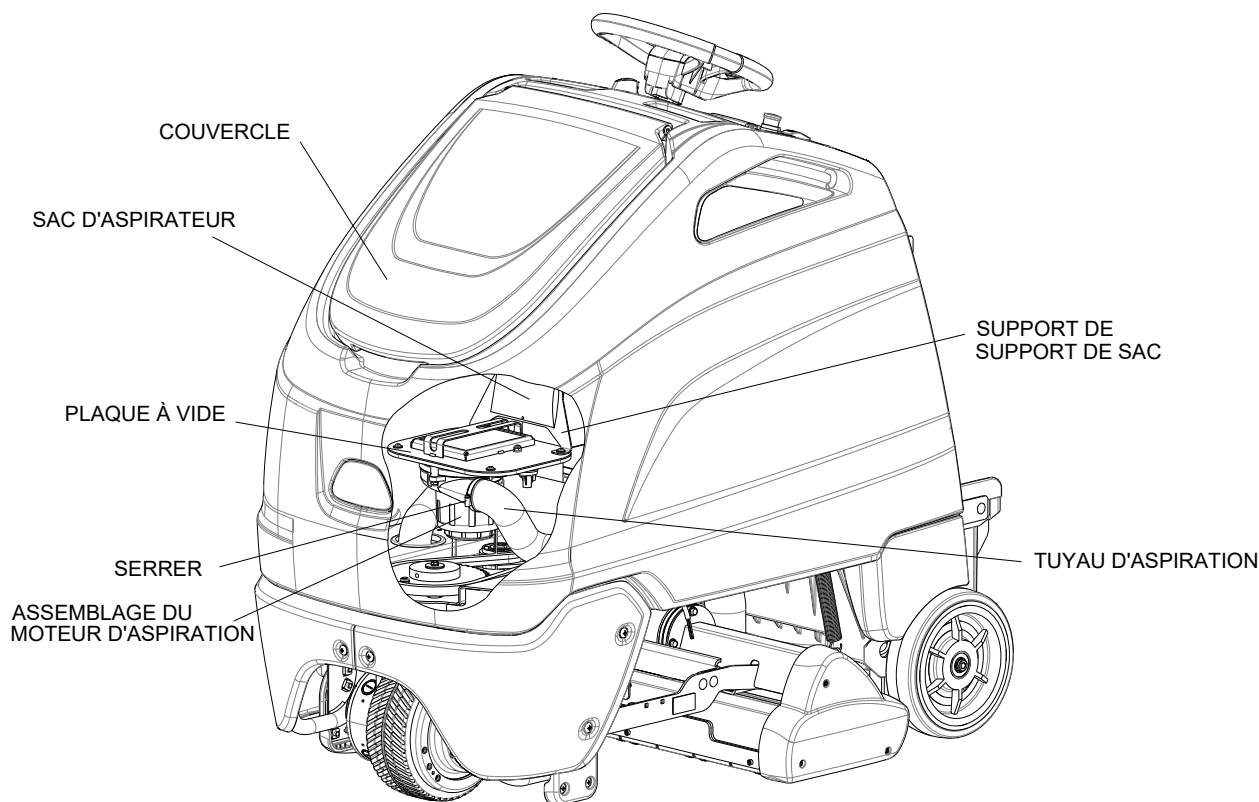
3. Relâcher la brosse de la tension du ressort. Retirer la vis reliant le fil de la brosse au support de la brosse. Nettoyer le support de la brosse pour assurer la liberté de mouvement.
4. Rétracter le ressort, puis installer la brosse neuve. Installer la vis et le fil du connecteur.
5. Une fois toutes les brosses installées, rétracter chaque brosse jusqu'à ce que le ressort poussant contre le côté de la brosse la retienne en place.
6. Placer délicatement l'embout sur le palier sur l'arbre du moteur.

*REMARQUE : prendre soin de s'assurer de l'alignement des rondelles.*

7. Avec l'embout en position partiellement installée, pousser les brosses en contact avec le commutateur du moteur.

*REMARQUE : le non-respect de la consigne de s'assurer que toutes les brosses sont relâchées entraînera une panne du moteur.*

8. Réinstaller les embouts, puis réaligner pour inscrire les repères sur le corps de mécanisme du moteur. Réinstaller les deux boulons tout en maintenant l'alignement entre l'axe de moteur et la calotte.



### **⚠ AVERTISSEMENT:**

Déconnecter les batteries avant de travailler sur la machine. La machine ne doit être confiée qu'à un personnel qualifié. Porter systématiquement des lunettes et des vêtements de protection lors d'une intervention sur les batteries ou aux alentours. Éviter tout contact de la peau avec l'acide contenu dans les batteries.

### **Pour Retirer le Moteur de l'Aspirateur**

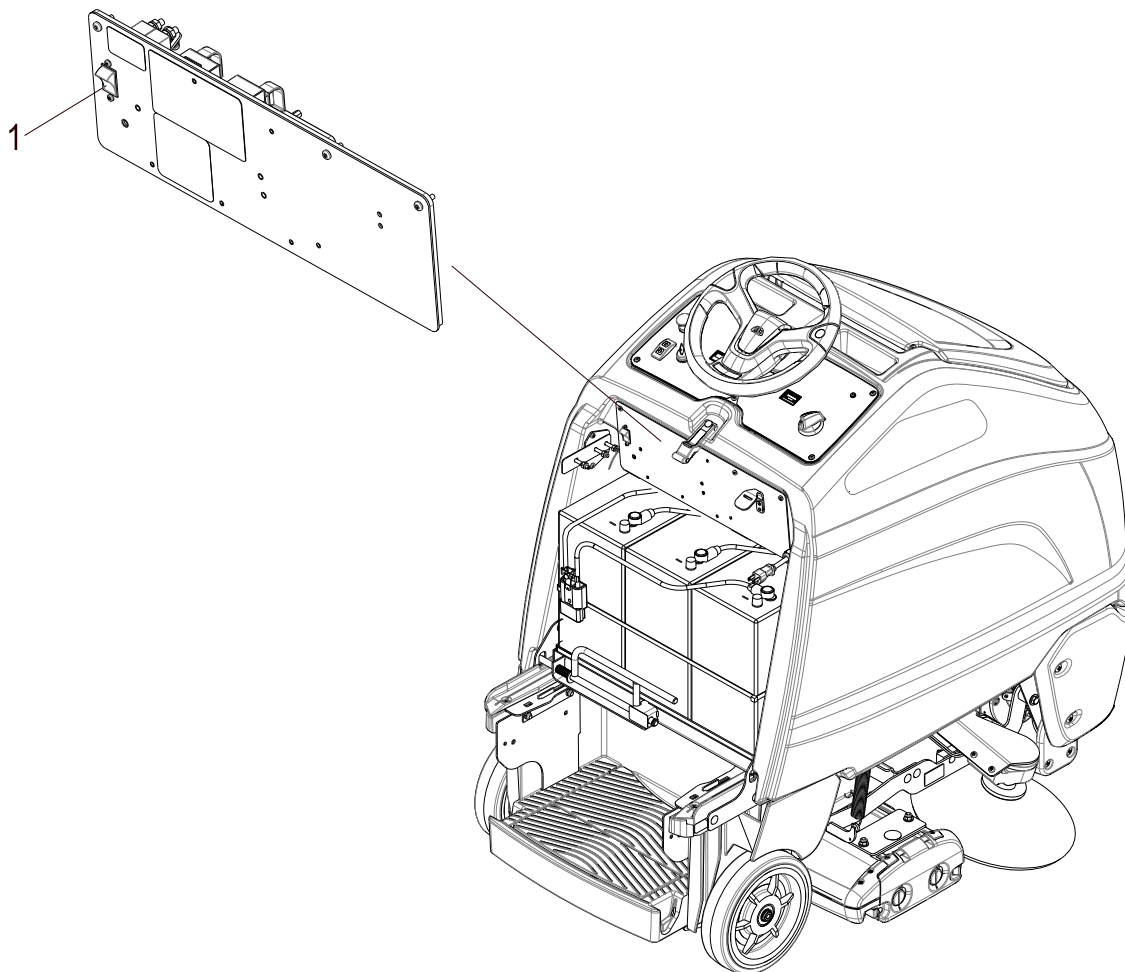
1. Éteindre la machine.
2. Soulever le couvercle.
3. Retirer le sac d'aspirateur.
4. Retirer les (4) vis et la quincaillerie retenant la plaque de l'aspirateur et le couvercle du support du sac. Retirer les (2) écrous retenant le moteur de l'aspirateur à la plaque de l'aspirateur. Retirer la plaque de l'aspirateur.
5. Desserrer le collier de serrage du tuyau, puis déconnecter le tuyau de l'ensemble.
6. Déconnecter les câbles du moteur de l'aspirateur.

7. Retirer l'ensemble du moteur de l'aspirateur de la machine.
8. Procéder à l'inverse pour l'assemblage.

### **Remplacement des Brosses de Carbone du Moteur de l'Aspirateur**

1. Retirer le moteur de l'aspirateur.
2. Retirer les (2) vis sur le dessus du carter de moteur, puis soulever le carter pour révéler les bobines.
3. Retirer les (4) vis de la bride de fixation des brosses.
4. Retirer les brosses.
5. Procéder à l'inverse pour assembler avec des brosses neuves.

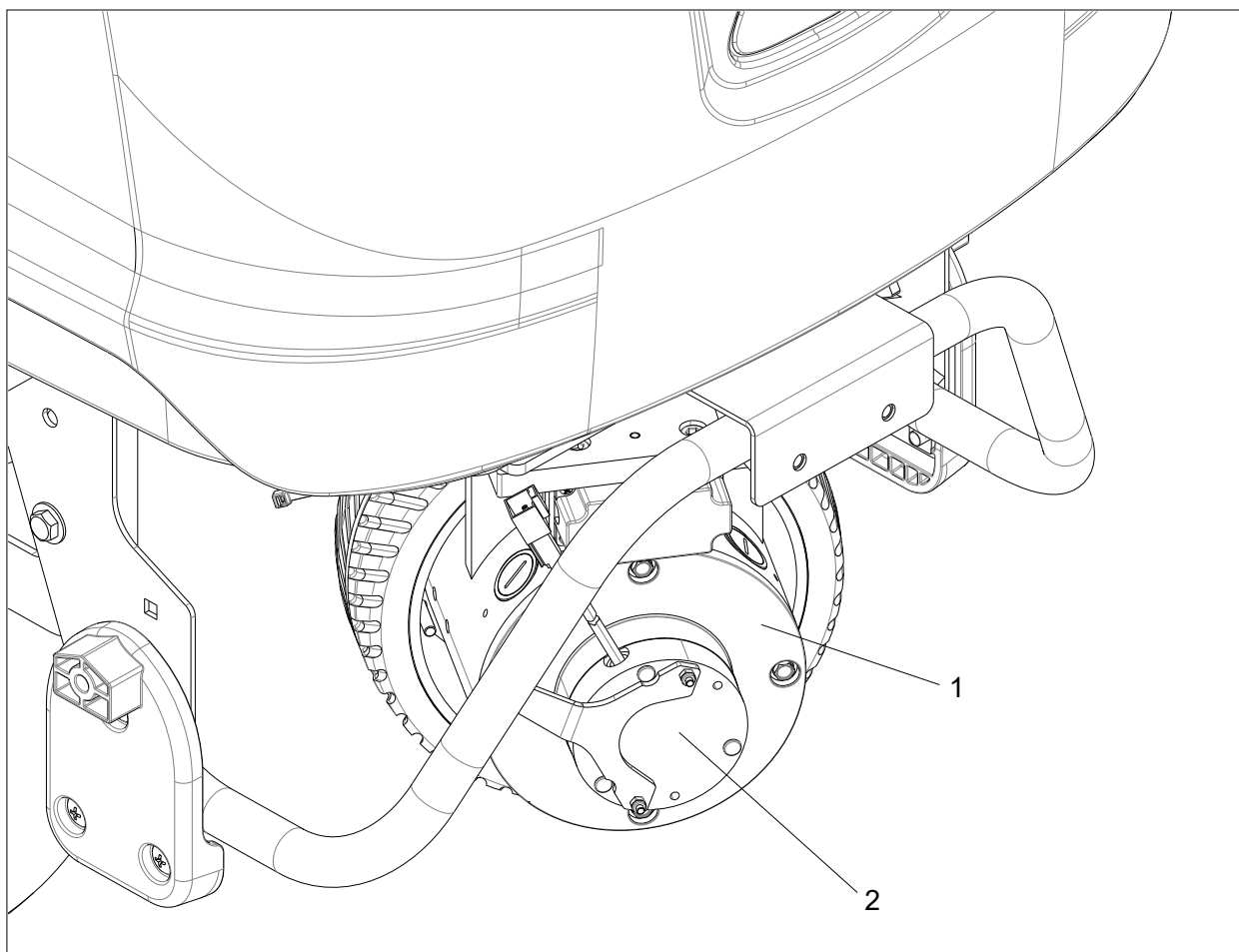
## Protection des Circuits



### Disjoncteurs

#### 1. DISJONCTEUR PRINCIPAL

Interrupts the flow of power from batteries in the event of an electrical overload. When the circuit breaker is tripped, Interrompt le flux de courant provenant des batteries en cas de surcharge électrique. Lorsque le disjoncteur est déclenché, il peut être réinitialisé en appuyant sur le commutateur à bascule. Si le disjoncteur continue de se déclencher, la cause de la surcharge électrique doit être corrigée



### Moteur d'Entraînement

1. Moteur d'entraînement
2. Frein

## Application Du Frein Électrique

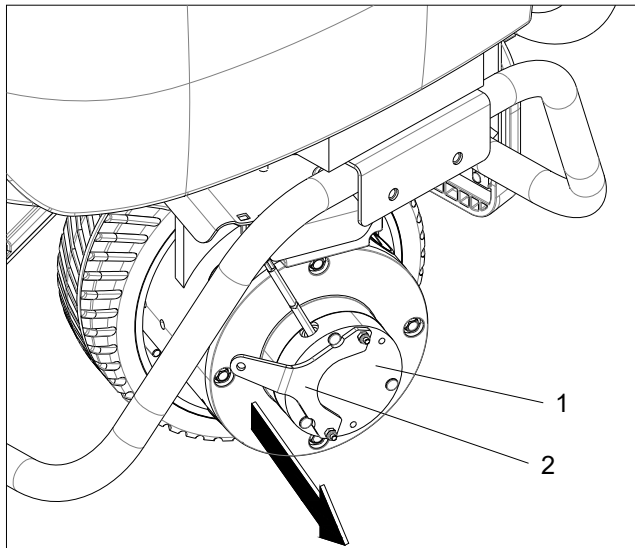
**POUR DES RAISONS DE SÉCURITÉ :** avant de quitter la machine ou de procéder à son entretien, s'arrêter sur une surface plane, éteindre la machine et retirer la clé.

Cette machine est équipée d'un frein électrique.

Le frein s'engage automatiquement et empêche la machine de bouger lorsque l'opérateur descend de la plateforme ou lorsque l'arrêt d'urgence est appliqué.

Le frein est doté d'une commande mécanique prioritaire qui peut être appliquée de sorte que la machine puisse être poussée ou remorquée (lentement).

### Pour Désengager le Frein :



1. Tirer sur le levier en l'éloignant du boîtier de frein.
2. Insérer le matériel pour tenir le levier de frein à l'écart du boîtier de frein.

### **⚠ AVERTISSEMENT:**

N'actionnez pas la machine avec le frein désengagé.

## Remplacement Des Brosses De Carbone Du Moteur D'entraînement

### **⚠ AVERTISSEMENT:**

N'utilisez pas de nettoyeur haute pression pour nettoyer autour des moteurs des brosses. Utilisez seulement la pression du robinet.

**POUR DES RAISONS DE SÉCURITÉ :** avant de quitter la machine ou de procéder à son entretien, s'arrêter sur une surface plane, éteindre la machine et retirer la clé.

1. Déconnecter les batteries de la machine.
2. Retirer le butoir de droite.
3. Retirer les capuchons des brosses du boîtier du moteur.
4. Retirer les brosses.
5. Procéder à l'inverse pour réassembler avec des brosses neuves.

### Transport

#### Pousser la Machine

La machine peut être poussée sur de courtes distances à des vitesses n'excédant pas 8 km/h (5 mi/h). Prendre soin d'éviter d'endommager la machine. La machine peut être poussée à la main depuis l'arrière.

REMARQUE : pour éviter les dommages causés par la tension régénératrice, déconnecter le moteur de traction avant de remorquer ou de pousser la machine.

#### Arrimages de la Machine

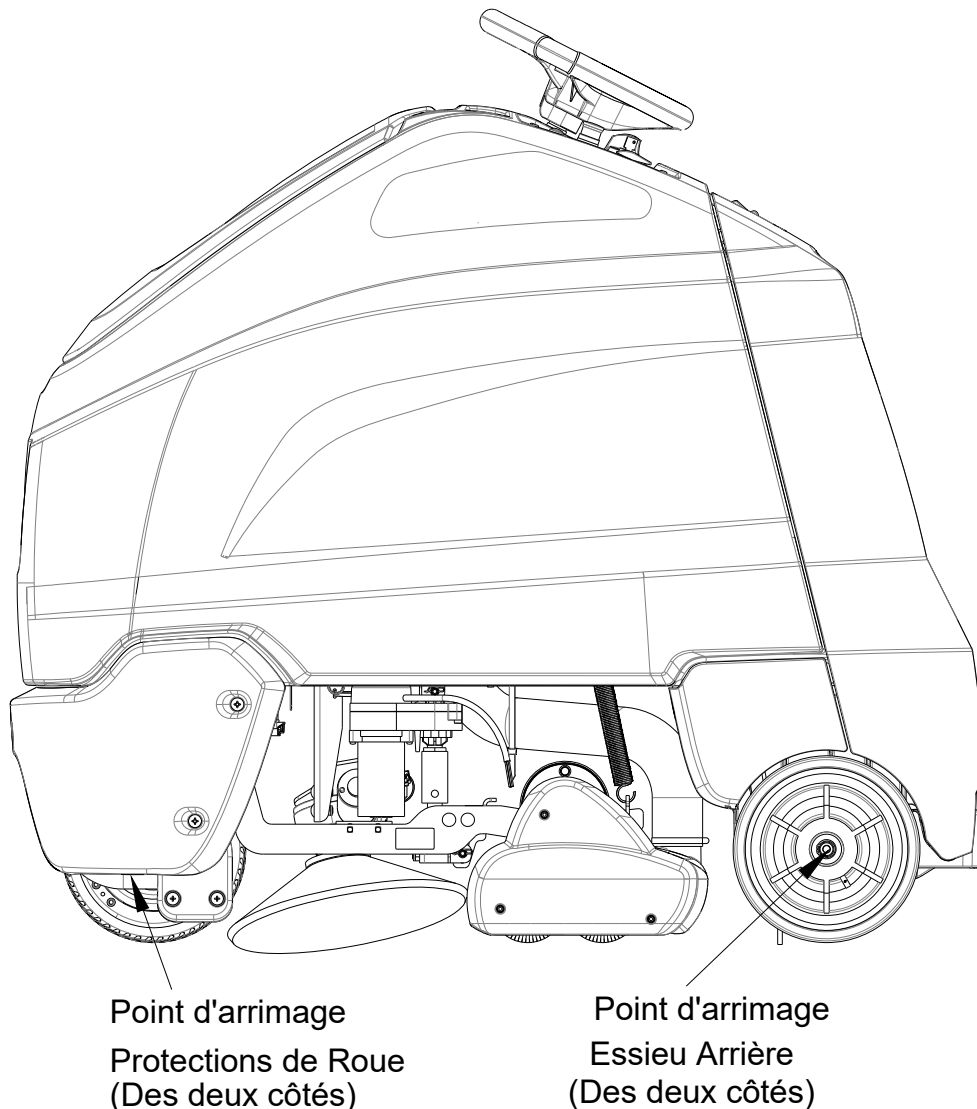
Il y a quatre points d'arrimage, deux sur les garde-roues avant et deux sur l'essieu arrière situé de chaque côté de la boîte à pied.

### Chargement Sur/déchargement D'une Remorque

Le pont de brosses doit se trouver en position élevée avant le chargement.

Une fois chargé, abaisser le pont de brosses, éteindre la machine, puis s'assurer que le frein est appliqué. Bloquer les pneus pour empêcher la machine de rouler et arrimer la machine en utilisant les points d'ancrage indiqués.

Procéder à l'inverse pour décharger.





**Dépannage**

PROBLÈME	CAUSE	SOLUTION
Aucune alimentation vers la machine	Batterie déconnectée	Vérifier toutes les connexions des câbles de batterie; remplacer ou serrer au besoin
	Arrêt d'urgence activé	Réinitialiser
	Interrupteur à clé défectueux	Remplacer l'interrupteur
	Câbles de batterie corrodés	Nettoyer les connexions
	Chargeur embarqué branché	Débrancher et ranger le cordon
	Disjoncteur principal déclenché	Réinitialiser le disjoncteur
Peu ou aucune propulsion	Charge des batteries faible	Charger les batteries
	Disjoncteur déclenché	Réinitialiser le disjoncteur et vérifier la brosse
	Surchauffe du contrôleur	Laisser refroidir
	Connexion du moteur desserrée	Vérifier les fils et les connexions du contrôleur au moteur, remplacer ou serrer au besoin
	Circuit de l'accélérateur ou potentiomètre défectueux	Vérifier les fils et les connexions de l'accélérateur au contrôleur et la résistance du potentiomètre; remplacer ou serrer au besoin
	Circuit ou commutateur de réinitialisation de l'entraînement défectueux	Vérifier les fils, les connexions et le commutateur; remplacer ou serrer au besoin.
	Circuit ou commutateur de la plateforme défectueux	Vérifier les fils, les connexions et le commutateur; remplacer ou serrer au besoin.
La machine ne change pas de vitesse	Circuit ou commutateur de commande de la vitesse défectueux	Vérifier les fils, les connexions et le commutateur; remplacer ou serrer au besoin.
Vitesse en marche avant seulement  Vitesse en marche arrière seulement	Commutateur de marche avant/arrière défectueux	Remplacer l'interrupteur
Le moteur d'aspirateur ne fonctionne pas ou fonctionne lentement	Circuit ou commutateur d'aspirateur défectueux	Vérifier les fils, les connexions et le moteur, remplacer ou serrer au besoin.
	Brosses du moteur d'aspirateur usées	Remplacer les brosses, vérifier le commutateur
	Sac d'aspirateur plein	Remplacer le sac d'aspirateur
	Obstruction dans le système d'aspirateur	Vérifier la présence de débris et les éliminer
	Charge de la batterie faible	Charger la batterie
Mauvaise performance de l'aspirateur	Débris coincés dans le système	Éliminer les débris
	Charge des batteries faible	Charger les batteries

## Entretien

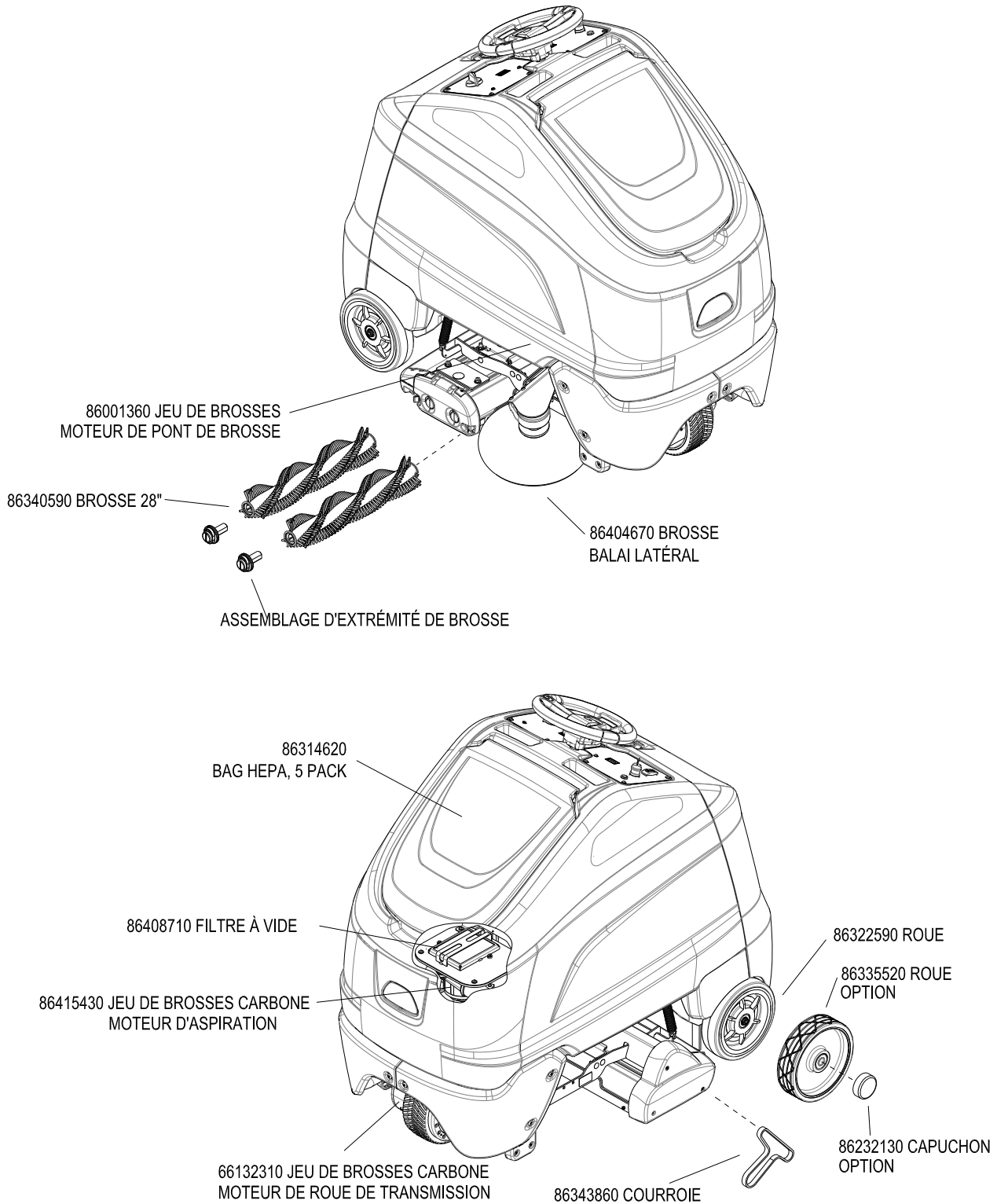
### Dépannage

PROBLÈME	CAUSE	SOLUTION
Les moteurs de brosses ne fonctionnent pas ou fonctionnent lentement	Sac d'aspirateur plein	Remplacer le sac d'aspirateur
	Brosses de moteur de brosses usées	Vérifier la présence de débris et les éliminer
	Charge des batteries faible	Charger les batteries
	Brosses de moteur de brosses usées	Remplacer les brosses, vérifier le commutateur
	Circuit ou moteur des brosses défectueux	Vérifier les fils, les connexions et le moteur, remplacer ou serrer au besoin.
Mauvaise performance des brosses	Débris pris dans les brosses	Éliminer les débris
	Brosses usées	Remplacer les brosses
	Charge de la batterie faible	Charger la batterie
Le pont des brosses s'abaisse, puis se relève	Circuit d'actionneur ou actionneur défectueux	Vérifiez les connexions des fils et l'actionneur, remplacez ou serrez si nécessaire.
Le bac à débris doit être vidé trop souvent	Quantités excessives de matières de grandes tailles ou lourdes sur le plancher.	Retirer l'insertion du bac à débris
	Tapis neuf	Retirer l'insertion du bac à débris

**Codes D'erreur du Contrôleur**

ERROR CODE DELUXE	PROBLEM	SOLUTION
	ERREUR DU MOTEUR DE TRACTION ET DU CONTRÔLEUR	LA BATTERIES DOIT ÊTRE CHARGÉE OU IL Y A UNE MAUVAISE CONNEXION ENTRE LA BATTERIE ET LE CONTRÔLEUR DE LA TRACTION. CHARGER LA BATTERIE OU APPELER POUR OBTENIR DU SERVICE ET DEMANDER À UN TECHNICIEN DE VÉRIFIER LE CÂBLAGE.
	MOTEUR DE TRACTION DÉCONNECTÉ	LE MOTEUR DE TRACTION A UNE MAUVAISE CONNEXION. APPELER POUR OBTENIR DU SERVICE ET DEMANDER À UN TECHNICIEN DE VÉRIFIER LE CÂBLAGE.
	LE MOTEUR DE TRACTION EST COURT-CIRCUITÉ	LE MOTEUR DE TRACTION EST COURT-CIRCUITÉ AU NIVEAU DE LA BATTERIE. APPELER POUR OBTENIR DU SERVICE ET DEMANDER À UN TECHNICIEN DE VÉRIFIER LA PRÉSENCE DE COURTS-CIRCUITS.
	DÉFAILLANCE AUX ou SURINTENSITÉ AU NIVEAU DE L'ACTIONNEUR DU PONT	APPELER POUR OBTENIR DU SERVICE ET DEMANDER À UN TECHNICIEN DE VÉRIFIER LES DISPOSITIFS DE SORTIE AUX ET LE CÂBLAGE CONNEXE
	LE MOTEUR D'ASPIRATEUR COUPE	LE MOTEUR D'ASPIRATEUR REÇOIT DU COURANT TROP ÉLEVÉ. APPELER POUR OBTENIR DU SERVICE ET DEMANDER À UN TECHNICIEN DE VÉRIFIER LA PRÉSENCE DE COURTS-CIRCUITS OU D'AUTRES DOMMAGES.
	LE MOTEUR DES BROSSES COUPE	LE MOTEUR DES BROSSES REÇOIT TROP DE COURANT, APPELER POUR OBTENIR DU SERVICE ET DEMANDER À UN TECHNICIEN DE VÉRIFIER LA PRÉSENCE DE COURTS-CIRCUITS, DE PATINS OU D'AUTRES DOMMAGES
	ERREUR DE COUPEURE DE L'ACCÉLÉRATEUR	L'ACCÉLÉRATEUR EST DÉVIÉ OU LE CÂBLAGE CONNEXE EST ROMPU OU COURT-CIRCUITÉ. APPELER POUR OBTENIR DU SERVICE ET DEMANDER À UN TECHNICIEN DE VÉRIFIER L'ACCÉLÉRATEUR ET LE CÂBLAGE CONNEXE.
	LE SYSTÈME DE COMMANDE COUPE	ERREUR AU NIVEAU DU SYSTÈME DE COMMANDE DE TRACTION APPELER POUR OBTENIR DU SERVICE ET DEMANDER À UN TECHNICIEN DE VÉRIFIER TOUTES LES CONNEXIONS VERS LE CONTRÔLEUR..
	FREIN ÉLECTRIQUE	MAUVAISE CONNEXION AU NIVEAU DU SOLÉNOÏDE DU FREIN. APPELER POUR OBTENIR DU SERVICE ET DEMANDER À UN TECHNICIEN DE VÉRIFIER LES CONNEXIONS VERS LE FREIN.
	HAUTE TENSION DE LA BATTERIE	TENSION EXCESSIVE DE LA BATTERIE, APPELER POUR OBTENIR DU SERVICE ET DEMANDER À UN TECHNICIEN DE VÉRIFIER L'ÉTAT DE LA BATTERIE.
	LA MACHINE NE FOURNIT PAS DE DONNÉES À LA FLOTTE KÄRCHER	POUR LES MACHINES AVEC UN SERVICE DE SOUTIEN DE LA FLOTTE KÄRCHER, APPELER POUR OBTENIR DU SERVICE.  POUR LES MACHINES SANS SERVICE DE SOUTIEN DE LA FLOTTE KÄRCHER, AUCUNE ACTION REQUISE.

## Pièces de Rechange Suggérées



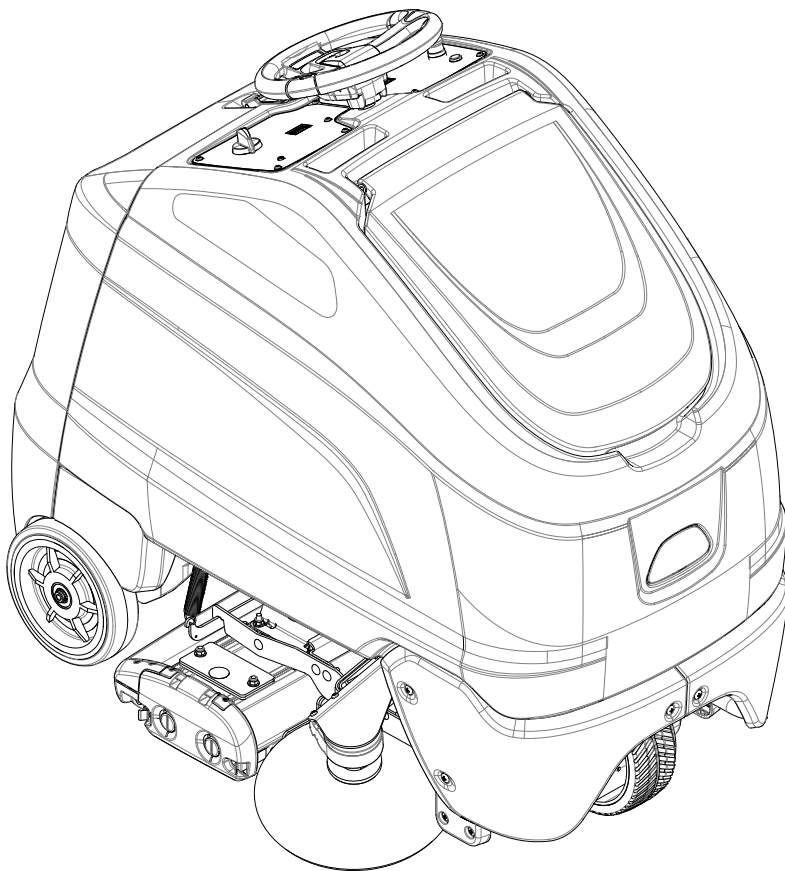
# KÄRCHER

makes a difference

## Chariot 3 - CV 86/1 RS Bp

Español

02



**Register  
your product**

[www.kaercher.com/welcome](http://www.kaercher.com/welcome)



86446720-A 11/03/20

## **Etiqueta de datos de la máquina/Descripción**

Modelo: \_\_\_\_\_

Fecha de compra: \_\_\_\_\_

Número de serie: \_\_\_\_\_

Distribuidor: \_\_\_\_\_

Dirección: \_\_\_\_\_

Número de Teléfono: \_\_\_\_\_

Representante de ventas: \_\_\_\_\_

### **Descripción**

La Chariot® CV86 es una aspiradora a baterías, de pie, que cubre áreas amplias y está diseñada para uso comercial. La Chariot® CV86 barre y aspira residuos del piso y los almacena en la bolsa de residuos y la bolsa de aspiradora.

#### MODELOS:

- 1.008-141.0      CHARIOT 3 CV 86 ATV 205AH SHLF CHRG**
- 1.008-142.0      CHARIOT 3 CV 86 ATV 225AH SHLF CHRG**
- 1.008-143.0      CHARIOT 3 CV 86 ATV 234AH AGM SHLF CHRG**
- 1.008-144.0      CHARIOT 3 CV 86 ATV 205AH OBC**
- 1.008-145.0      CHARIOT 3 CV 86 ATV 225AH OBC**
- 1.008-146.0      CHARIOT 3 CV 86 ATV 234AH AGM OBC**
- 1.008-149.0      CHARIOT 3 CV86 ATV LITHIUM SHELF**
- 1.012-635.0      CHARIOT 3 CV 86 ATV OBC**

## **Registro de Garantía**

Gracias por comprar un producto de Kärcher North America. El registro de la garantía es rápido y fácil. Su registro permitirá que le sirvamos mejor sobre el curso de la vida del producto. Para colocar su producto vaya:

<https://www.kaercher.com/us/support/professional-services/professional-warranty-registration.html>

Para el servicio de atención al cliente llame al:

1-800-444-7654

**KÄRCHER**

**Etiqueta de datos de la máquina/Descripción . . . . 2**  
 Descripción . . . . . 2  
**Índice . . . . . 3**  
**Cómo utilizar el manual . . . . . 4**

**Seguridad**

Ubicaciones de etiquetas de seguridad . . . . . 5  
 INSTRUCCIONES DE SEGURIDAD IMPORTANTES . . . 6  
 NIVEL DE INTENSIDAD DE RIESGO . . . . . 7

**Operaciones**

Especificaciones técnicas . . . . . 8  
 Cómo funciona esta máquina . . . . . 10  
 Componentes . . . . . 11  
 Controles de accionamiento . . . . . 13  
 Inspección previa al funcionamiento de la máquina . . . . 17  
 Puesta en marcha de la máquina . . . . . 17  
 Procedimientos de parada de emergencia . . . . . 17  
 Aspiración normal . . . . . 18  
 Para comenzar a aspirar . . . . . 18  
 Para dejar de aspirar . . . . . 19  
 Cambio de la bolsa de aspiradora . . . . . 19  
 Extracción de la bandeja de residuos . . . . . 19  
 Instalación de la bandeja de residuos . . . . . 19

**Mantenimiento**

Programación del Mantenimiento . . . . . 21  
 Baterías . . . . . 22  
 Comprobar el peso específico de la batería . . . . . 24  
 Cargador externo . . . . . 24  
 Cargador integrado . . . . . 25  
 Cambiar las baterías . . . . . 26  
 Programación del cargador incorporado . . . . . 27  
 Las Baterías de Litio - (opcional) . . . . . 28  
 Transporte . . . . . 29  
 Límites de Operación . . . . . 29  
 Fusible . . . . . 29  
 Manipulación . . . . . 30  
 Instalación: Una sola batería . . . . . 30  
 Encendido-Apagado . . . . . 30  
 Carga . . . . . 31  
 Descarga . . . . . 31  
 Almacenamiento . . . . . 31  
 Protección y Fallos . . . . . 31  
 Fallos y Acciones Correctivas . . . . . 31  
 Servicio y Mantenimiento . . . . . 32  
 Resolución de problemas . . . . . 32  
 Plataforma de cepillado . . . . . 34  
 Extracción de cepillos y Limpieza de cojinetes . . . . . 35  
 Instalación de los cepillos . . . . . 35  
 Extracción de la escobilla lateral . . . . . 35  
 Reemplazo de la correa . . . . . 35  
 Retire la plataforma de cepillado . . . . . 36  
 Reemplace el motor de la plataforma de cepillado . . . . 36  
 Reemplazo/Extracción del accionador de la plataforma de  
 cepillado . . . . . 36  
 Ajuste del accionador de la plataforma . . . . . 37

Reemplazo de los cepillos de carbón de los motores de  
 cepillado . . . . . 37  
 Para extraer el motor de aspiración . . . . . 38  
 Reemplazo de los cepillos de carbón del motor de  
 aspiración . . . . . 38  
 Protección de los circuitos . . . . . 39  
 Motor de accionamiento . . . . . 40  
 Colocación del freno de mano eléctrico . . . . . 41  
 Sustitución de las escobillas de carbón del motor de  
 propulsión . . . . . 41  
 Transporte . . . . . 42  
 Resolución de problemas . . . . . 43  
 Códigos de falla del controlador . . . . . 45  
 Sugerido De Piezas Sueltas . . . . . 46

## Cómo utilizar el manual

El manual contiene las siguientes secciones:

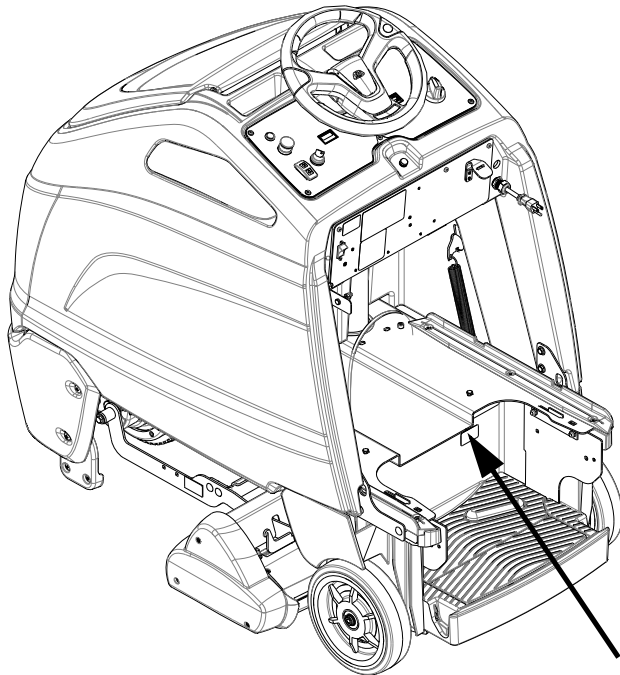
- Cómo utilizar el manual
- Seguridad
- Operaciones
- Mantenimiento

La sección CÓMO UTILIZAR EL MANUAL le indica el modo de encontrar información importante para pedir las piezas de recambio correctas.

Las piezas deben ser solicitadas a distribuidores autorizados. Al realizar el pedido de piezas, es importante saber el modelo y el número de serie de la máquina. Consulte el cuadro DATOS DE LA MÁQUINA que se completa durante la instalación de la máquina. El cuadro DATOS DE LA MÁQUINA está situado en la parte interior de la cubierta frontal de este manual.

Modelo:	_____
Fecha de compra:	_____
Número de serie:	_____
Distribuidor:	_____
Dirección:	_____
Número de Teléfono:	_____
Representante de ventas:	_____

El modelo y el número de serie de su máquina se encuentran detrás de la máquina.



La sección SEGURIDAD contiene información importante acerca de los usos de la máquina que pueden resultar peligrosos o poco seguros. Se identifican niveles de riesgos que pueden ocasionar lesiones personales o daños en el producto o lesiones graves que pueden provocar la muerte.

El objetivo de la sección FUNCIONAMIENTO es familiarizar al operario con el manejo y el funcionamiento de la máquina.

La sección MANTENIMIENTO incluye instrucciones sobre mantenimiento preventivo para mantener la máquina y sus componentes en buenas condiciones de funcionamiento. Están clasificadas en el siguiente orden general:

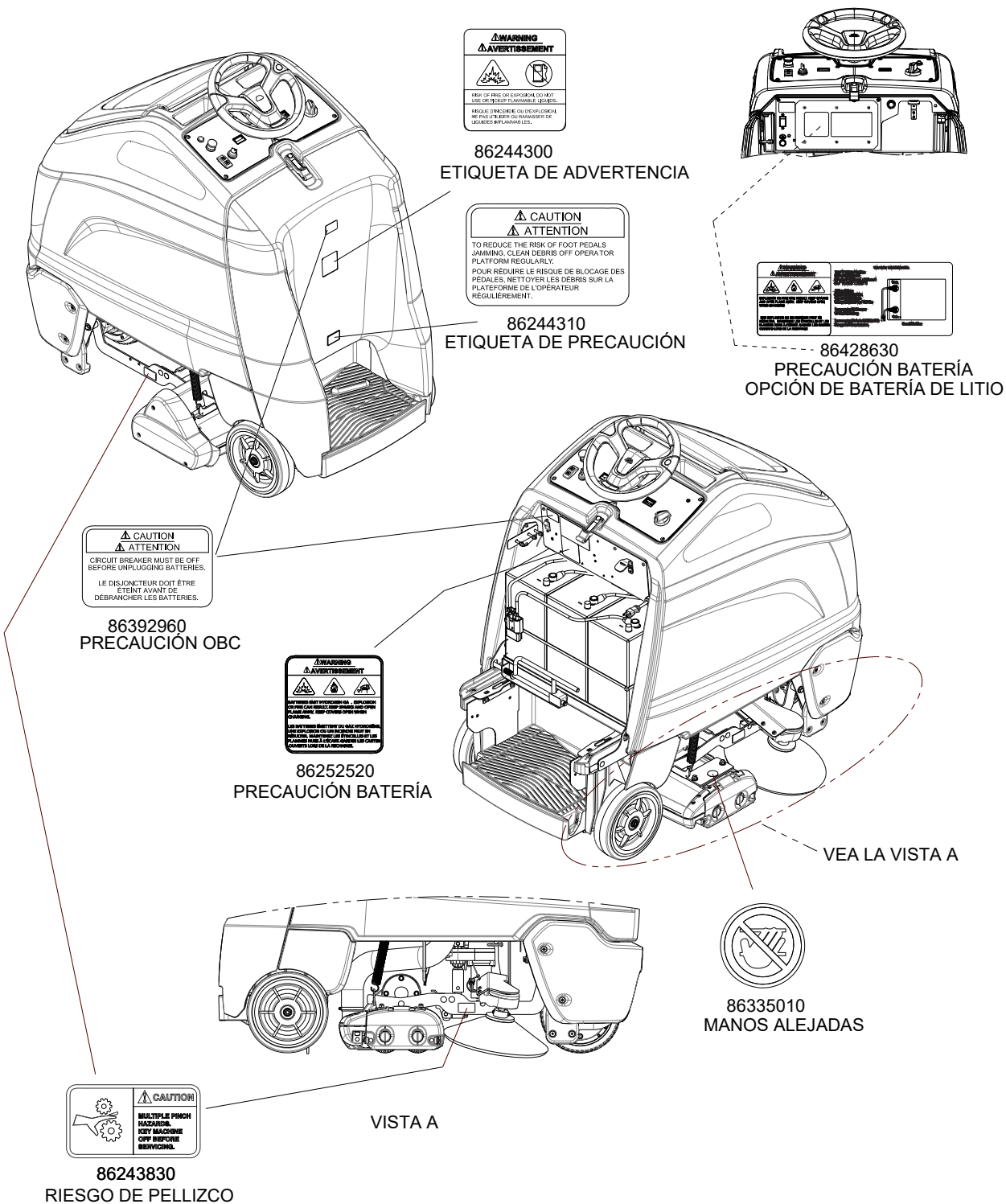
- Programa de mantenimiento
- Baterías
- Plataforma de cepillado
- Aspiradora
- Motor de propulsión y freno
- Resolución de problemas

**NOTE:** El número de pieza correspondiente al manual está ubicado en la esquina inferior derecha de la cubierta delantera.



## Ubicaciones de etiquetas de seguridad

Los dibujos indican la ubicación de las etiquetas de seguridad en la máquina. Si en un momento dado las etiquetas no se pueden leer, reemplázelas con rapidez.



# INSTRUCCIONES DE SEGURIDAD IMPORTANTES

**Cuando se utilice la máquina, siempre se deben adoptar precauciones básicas, entre las que se incluye:**

**LEA TODAS LAS INSTRUCCIONES ANTES DE UTILIZAR LA MÁQUINA.**

**⚠ ADVERTENCIA:** Para reducir el riesgo de incendio, descargas eléctricas o lesiones:

Para reducir el riesgo de incendio, descargas eléctricas o lesiones:

Utilice sólo en interiores. No utilice en el exterior ni exponga a la lluvia.

Utilice sólo del modo descrito en este manual.

Use sólo los componentes y accesorios recomendados por el fabricante.

Si la máquina no funciona adecuadamente, se ha caído, ha sufrido daños, fue olvidada en el exterior o ha caído al agua, llévela a un servicio técnico autorizado.

No haga funcionar la máquina con ninguna de sus aberturas bloqueadas. Mantenga las aberturas limpias de residuos que puedan reducir el caudal de aire.

La máquina no es adecuada para aspirar residuos peligrosos.

No maneje la máquina cerca de fluidos, polvo o vapores inflamables. No exponer al fuego.

Personal debidamente capacitado debe realizar el mantenimiento y las reparaciones.

Si sale espuma o líquido de la máquina, desconecte inmediatamente.

Desconecte la batería antes de limpiarla o repararla.

No usar una batería o aparato que esté visiblemente dañado. Si la caja de la batería está dañada, no toque el contenido expuesto.

No modificar ni intentar reparar el aparato o la batería.

Opción de batería de litio: Para usar solamente con batería de litio Discover 12-36-6700 y cargador Delta Q QuiQ 1000 con algoritmo de litio.

Antes de deshacerse de la máquina, las baterías deben retirarse y ser eliminadas adecuadamente.

Asegúrese de que todas las etiquetas de advertencia y precaución son legibles y están adheridas adecuadamente a la máquina.

Durante su manejo, debe prestarse atención al resto de personas, especialmente a los niños.

Antes de usar la máquina deben colocarse todas las tapas y puertas en las posiciones especificadas en las instrucciones.

Cuando deje la máquina sin supervisión, trábela para asegurarse de que no haya movimientos no intencionales.

La máquina sólo deben manejarla personas instruidas y autorizadas.

Cuando deja la máquina sin supervisión, apague o trabe el interruptor de energía principal para evitar el uso no autorizado.

Deben utilizarse sólo productos químicos recomendados por el fabricante.

Este aparato ha sido diseñado para utilizarse con los cepillos especificados por el fabricante. El uso de otros cepillos puede afectar su seguridad.

No use la máquina sobre superficies con una pendiente superior al 10% (6 grados).

No utilice la máquina si la bolsa o los filtros no están colocados.

## GUARDE ESTAS INSTRUCCIONES

Los símbolos siguientes se usan a lo largo de la guía del modo indicado en sus descripciones:

## NIVEL DE INTENSIDAD DE RIESGO

Hay tres niveles de intensidad de riesgo, identificados por palabras claves **-ADVERTENCIA** y **PRECAUCIÓN** y **POR SEGURIDAD**. El nivel de intensidad de riesgo está determinado por las siguientes definiciones:

### **ADVERTENCIA:**

**ADVERTENCIA** - Riesgos o prácticas poco seguras que PODRÍAN provocar graves lesiones personales o la muerte.

### **PRECAUCIÓN:**

**PRECAUCIÓN** - Riesgos o prácticas poco seguras que podrían provocar lesiones menores a las personas o daños en el producto o en la propiedad.

**POR SEGURIDAD:** *Para identificar las acciones que deben seguirse para un manejo seguro del equipo.*

informe inmediatamente de los daños en la máquina o de su mal funcionamiento. No utilice la máquina si no está en buenas condiciones de funcionamiento. A continuación hay información que indica algunas condiciones potencialmente peligrosas para el operario o el equipo. Lea esta información con atención. Conozca cuándo pueden darse estas condiciones. Coloque todos los dispositivos de seguridad en la máquina. Por favor, siga los pasos necesarios para instruir a los operarios de la máquina.

#### **POR SEGURIDAD:**

##### **NO UTILICE LA MÁQUINA:**

Si no está instruido y autorizado para ello.

Si no ha leído y entendido el manual de instrucciones.

En áreas inflamables o explosivas.

En áreas en las que pueden caer objetos.

##### **MIENTRAS REPARA LA MÁQUINA:**

Evite el contacto con las piezas móviles. No lleve puesta ropa amplia (chaquetas, camisas, o mangas) cuando trabaje en la máquina. Use piezas de repuesto aprobadas por Karcher.

### **ADVERTENCIA:**

Las baterías emiten gas hidrógeno. Es posible que se produzcan explosiones o incendios. Aléjelas de las chispas y las llamas. Mantenga el compartimiento de las baterías abierto durante la carga. Mantenga las baterías lejos de chispas y llamas. No fume cerca de las baterías.

### **ADVERTENCIA:**

Desconecte las baterías antes de trabajar en la máquina. Sólo personal autorizado debería manipular el interior de la máquina. Use siempre protección ocular y ropa de protección cuando trabaje en las baterías o cerca de ellas. Evite que el ácido de las baterías entre en contacto con la piel.

### **ADVERTENCIA:**

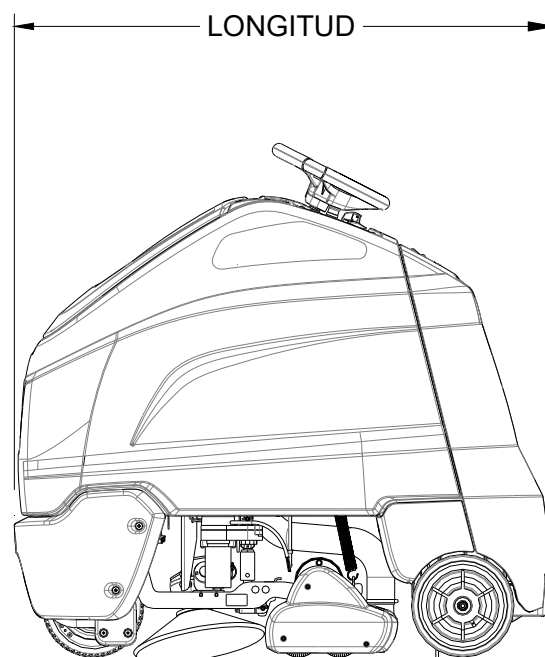
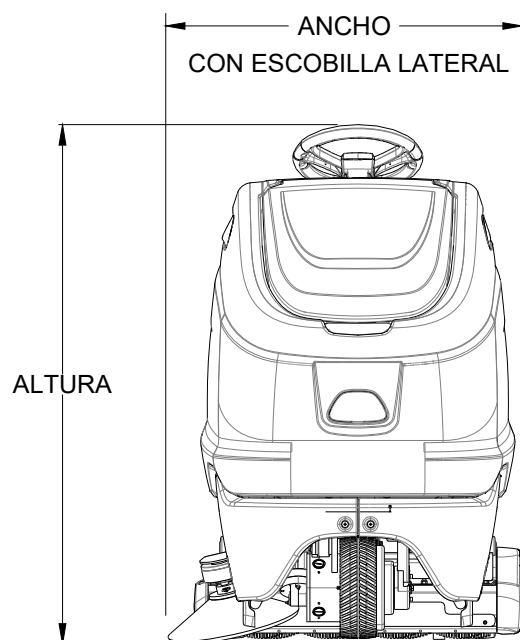
No deje nunca metal sobre la parte superior de las baterías.

## Operaciones

### Especificaciones técnicas

ELEMENTO	DIMENSIÓN/CAPACIDAD
Potencia nominal	1600 W
Tensión nominal	36 Voltios CC
Amperaje nominal	43 Amperios
Baterías	3 x 12 Voltios 205-334 a una tasa de 20 hr.
Dimensiones del compartimiento para baterías	21 pulg. X 16 pulg. X 17 pulg. (533 mm X 406 mm X 432 mm)
Batería de litio	38.4 Voltios
Batería de litio - Dimensiones	(375mm x 347.5 x 471.5 mm)
Motor de propulsión	0,75 HP (560 W)
Motor de cepillado	0,5 CV (373 W)
Motor de la escobilla lateral	0,06 CV (45 W)
Capacidad de la bolsa	1006 pulg <sup>3</sup> (16,5 L)
Capacidad de la tolva	43,6 pulg <sup>3</sup> (0,71 L)
Cepillos	Dos 28 pulg. (71 cm) X 4 pulg. (10 cm) diá.
Escobilla lateral	13 pulg. (33 cm)
Velocidad máx. de cepillos	970 RPM
Velocidad máx. de escobilla lateral	90 RPM
Motor de aspiración	0,94 CV (700 W)
Caudal máx. del motor de aspiración	120 cfm (56,6 L/seg.)
Desconexión por bolsa aspiradora llena	14-16 pulg.H <sub>2</sub> O (3,5 - 4,0 kPa)
Succión máx. motor de aspiración	58,2 pulg.H <sub>2</sub> O (14,5 kPa)
Peso (GVW) peso bruto con baterías y operador	958 Lb. (435 Kg)
Peso vacío sin baterías ni operador	361 Lb. (164 Kg)
Neumáticos	10 pulg. (254 mm) gris sólido sin marcas
Presión base	61 psi (420 kPa)
Velocidad máx.	3,65 MPH 5,88 Km/h
Construcción del bastidor	Acero con recubrimiento en polvo
Freno	Freno eléctrico (engranado cuando el operador se baja o se activa la parada de emergencia)
Pasillo mínimo	Giro de 180° 66,92 pulg. (1700 mm)
Capacidad máx. de ascenso y descenso	10% (6°)
Presión acústica en el oído del operador (IEC 60704-1)	71,1 dBA Incertidumbre 2,8 dBA Piso duro limp. normal
Potencia acústica (IEC 60704-1)	84,9 dBA Incertidumbre 2,8 dBA Piso duro limp. normal
Presión acústica en el oído del operador (IEC 60704-1)	65,8 dBA Incertidumbre 2,5 dBA Alfombra limp. diurna
Potencia acústica (IEC 60704-1)	84,7 dBA Incertidumbre 2,5 dBA Alfombra limp. diurna
Vibración de manos (ISO 5349)	0,77 m/seg <sup>2</sup> Incertidumbre 0,5 m/seg <sup>2</sup>
Vibración de pies m/s <sup>2</sup> (ISO 5349)	0,08 m/seg <sup>2</sup> Incertidumbre 0,5 m/seg <sup>2</sup>

ELEMENTO	MEDIDA
Altura	50,0 pulg. (1270 mm)
Longitud	52,1 pulg. (1323 mm)
Anchura sin plataforma	30,6 pulg. (777 mm)
Anchura de la plataforma	31,9 pulg. (811 mm)
Anchura con la escobilla lateral	34,2 pulg. (869 mm)



**⚠ PRECAUCIÓN:**

Este aparato no está diseñado para ser utilizado por personas (incluidos los niños) con habilidades físicas, sensoriales o mentales reducidas, o falta de experiencia y conocimiento, a menos que hayan recibido supervisión o instrucción sobre el uso del aparato por parte de una persona responsable de su seguridad. Los niños deben estar supervisados para garantizar que no jueguen con el aparato.

### Cómo funciona esta máquina

La Chariot® CV86 es una aspiradora a baterías, auto-propulsada, que está diseñada para uso comercial. El artefacto aspira residuos y suciedad del piso y los recoge en una bolsa desechable.

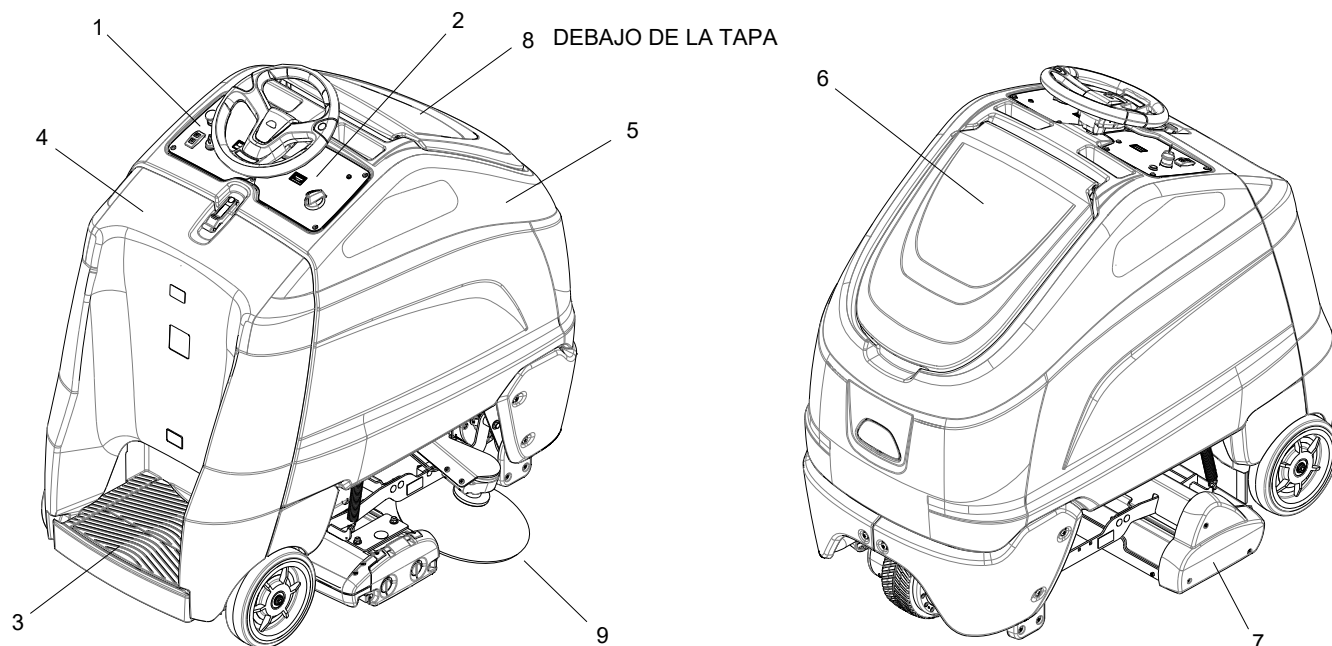
Los sistemas principales de la máquina son el sistema de cepillos, el sistema de aspiración y el sistema de control del operador.

La función del sistema de cepillos es cepillar el piso. El sistema de cepillos consta de dos cepillos de tipo cilíndrico, motor de cepillos, plataforma de cepillado, escobilla lateral, motor de la escobilla lateral y controles. El cepillo delantero gira hacia la derecha visto desde el lado derecho de la máquina. El cepillo trasero gira hacia la izquierda. Ambos cepillos funcionan agitando el piso y para encaminar los residuos hacia la plataforma de cepillado. La escobilla lateral gira hacia la izquierda vista por el operador. La escobilla lateral barre residuos hacia la senda de la plataforma de cepillado.

La función del sistema de aspiración es aspirar la suciedad y los residuos finos hacia la bolsa de aspiradora, y los residuos grandes dentro de la bandeja de residuos. El sistema de aspiración consta de la bandeja de residuos, el motor de aspiración, el filtro de aspiración y la bolsa de aspiradora. La bandeja de residuos capta la suciedad del piso a medida que la máquina avanza. El motor de aspiración succiona para extraer la suciedad fina a la bolsa de aspiradora y a la bandeja de residuos los residuos grandes.

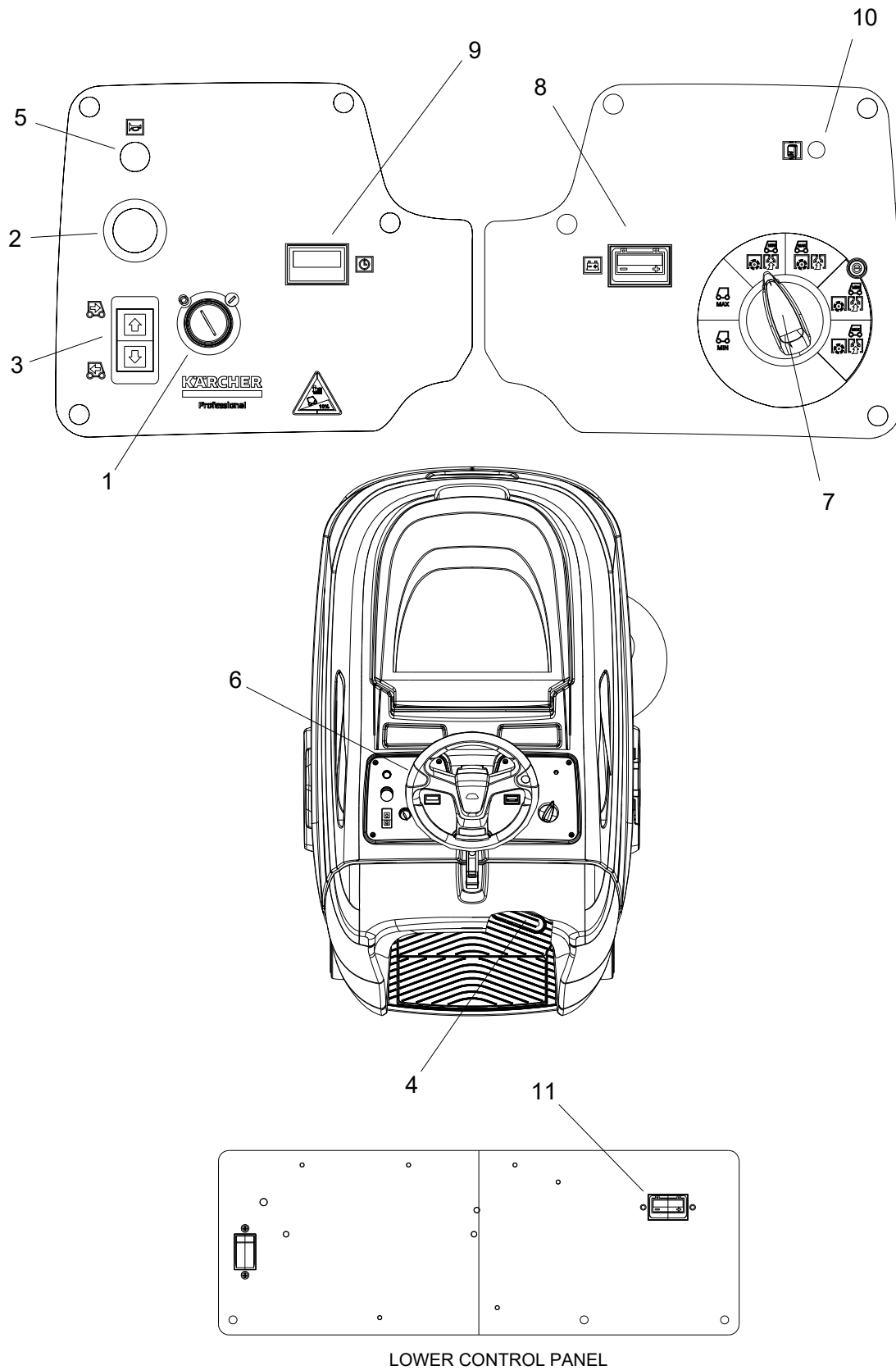
La función del sistema de control del operador es controlar la dirección y la velocidad de la máquina. El sistema de control direccional consta del interruptor de reinicio del control de dirección, el pedal del acelerador, el interruptor de parada de emergencia, el volante, el controlador de propulsión y la rueda de propulsión. El interruptor de reinicio del control de dirección indica la marcha hacia adelante o hacia atrás y comprueba que el operador esté en la plataforma antes de que la máquina se impulse. El controlador interpreta las señales del pedal del acelerador para hacer que la rueda de propulsión acelere o desacelere la máquina. El volante apunta la rueda de propulsión en la dirección deseada por el operador. El freno se engrana automáticamente cuando el operador se baja de la plataforma, gira la llave para apagar, o activa la parada de emergencia.

*NOTE: Los golpes en la máquina pueden causar daños.*



## Componentes

1. Panel de control - Propulsión
2. Panel de control - Aspiración
3. Plataforma de pedales
4. Cubierta trasera
5. Cubierta
6. Tapa de cubierta
7. Plataforma de cepillado
8. Bolsa de aspiradora
9. Escobilla lateral





## **Controles de accionamiento**

- 1. Interruptor de contacto**
- 2. Interruptor de freno/parada de emergencia**
- 3. Control direccional/Interruptor de reinicio de propulsión**
- 4. Pedal del acelerador**
- 5. Botón de claxon**
- 6. Volante**
- 7. Interruptor de modo de función**
- 8. Indicador de descarga de las baterías**
- 9. Medidor de horas**
- 10. Indicador de estado del sistema de aspiración**
- 11. Indicador de error (litio solamente)**

### **1. INTERRUPTOR DE CONTACTO**

Controla la energía para las funciones de la máquina.

Para encender la máquina, gire la llave en el sentido de las agujas del reloj.

Para apagar la máquina, gire la llave en sentido contrario a las agujas del reloj.

Cuando se gira la llave, el símbolo de la batería parpadea mientras el sistema realiza el autodiagnóstico y vuelve a colocar la plataforma de cepillado y la escobilla lateral en posición elevada, si es necesario. El controlador no responderá a los otros mandos hasta que se haya completado esta rutina.

### **2. INTERRUPTOR DE FRENO/PARADA DE EMERGENCIA**

Este mecanismo de seguridad tiene por finalidad desconectar la alimentación de la máquina en determinado momento y aplicar el freno de estacionamiento.

Para desconectar la energía de la máquina, presione el interruptor de parada de emergencia; esto hará que se aplique el freno de estacionamiento y la máquina se detenga inmediatamente. El uso excesivo de la parada de emergencia puede causar desgaste prematuro del freno; utilice la misma sólo cuando es necesario.

Para reiniciar la máquina, gire el interruptor en el sentido de las agujas del reloj.

### **3. CONTROL DIRECCIONAL/INTERRUPTOR DE REINICIO DE PROPULSIÓN**

Este mecanismo de seguridad tiene por finalidad asegurar que se coloque adecuadamente la propulsión.

Cada vez que se enciende la alimentación de la máquina, o cada vez que el operario pisa la plataforma, el interruptor de reinicio de propulsión se debe presionar antes de que la máquina se accione.

Controla la dirección de la trayectoria del vehículo. La pequeña flecha en el interruptor indica la dirección de la trayectoria.

Para avanzar hacia adelante, pulse la parte superior del interruptor.

Para ir en marcha atrás, pulse la parte inferior del interruptor.





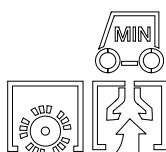
## Transporte lento

Este modo se utiliza para transportar la máquina. En este modo, la máquina se desplaza a baja velocidad. La plataforma de cepillado 'flotante' y la escobilla lateral están en la posición arriba. Los cepillos, la escobilla lateral y la aspiración están apagados.



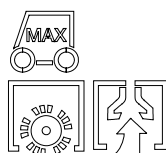
## Transporte rápido

Este modo se utiliza para transportar la máquina. En este modo, la máquina se desplaza a alta velocidad. La plataforma de cepillado 'flotante' y la escobilla lateral están en la posición arriba. Los cepillos, la escobilla lateral y la aspiración están apagados.



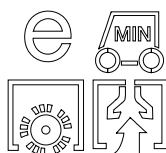
## Aspiración profunda

Este modo se utiliza para la aspiración profunda. En este modo, la máquina se desplaza a baja velocidad. La plataforma de cepillado 'flotante' y la escobilla lateral están en la posición abajo. Los cepillos se agitan y la escobilla lateral junta los residuos en la senda de la plataforma. La aspiradora extrae la suciedad y los residuos en la bandeja de residuos y la bolsa de aspiradora.



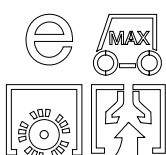
## Aspiración liviana

Este modo se utiliza para la aspiración liviana. En este modo, la máquina se desplaza a alta velocidad. La plataforma de cepillado 'flotante' y la escobilla lateral están en la posición abajo. Los cepillos se agitan y la escobilla lateral junta los residuos en la senda de la plataforma. La aspiradora extrae la suciedad y los residuos en la bandeja de residuos y la bolsa de aspiradora.



## Aspiración diaria

Este modo se utiliza para la aspiración diaria. En este modo, la máquina se desplaza a baja velocidad. La plataforma de cepillado 'flotante' y la escobilla lateral están en la posición abajo. Los cepillos se agitan y la escobilla lateral junta los residuos en la senda de la plataforma. La aspiradora extrae la suciedad y los residuos en la bandeja de residuos y la bolsa de aspiradora. Los cepillos, la escobilla lateral y la aspiración funcionan a potencia reducida.



## Aspiración diaria liviana

Este modo se utiliza para la aspiración diaria liviana. En este modo, la máquina se desplaza a alta velocidad. La plataforma de cepillado 'flotante' y la escobilla lateral están en la posición abajo. Los cepillos se agitan y la escobilla lateral junta los residuos en la senda de la plataforma. La aspiradora extrae la suciedad y los residuos en la bandeja de residuos y la bolsa de aspiradora. Los cepillos, la escobilla lateral y la aspiración funcionan a potencia reducida.

### **8. INDICADOR DEL NIVEL DE CARGA DE BATERÍAS**

Indica el nivel de carga de las baterías.

La pantalla de medición está dividida en 10 barras. Si las barras están iluminadas en el extremo derecho, indica que la carga está completa. Si las barras parpadean cerca del extremo izquierdo, indica que las baterías deben recargarse. Si se siguiera utilizando la máquina, tanto ésta como las baterías podrían resultar dañadas.

Si la máquina se deja durante la noche sin la carga completa, la pantalla puede indicar en un primer momento que la carga está completa. Lo mismo sucede si se desconectan las baterías y se vuelven a conectar. Tras unos minutos de funcionamiento, el medidor proporcionará el nivel de carga correcto.

### **9. CONTADOR DE HORAS**

Registra el número de horas que la máquina ha estado funcionando.

### **10. LUZ DE ESTADO DE LA BOLSA DE ASPIRADORA**

Si las condiciones de aspiración son buenas, la luz está verde.

Si las condiciones de aspiración son malas, la luz parpadea roja durante 1 minuto, luego se vuelve roja fija y la operación se detiene.

### **11. INDICADOR DE ERROR (LITIO SOLAMENTE)**

Indica cualquier error que pueda tener la máquina cuando está equipada con baterías de litio.

### Funcionamiento de la máquina

#### Inspección previa al funcionamiento de la máquina

Realice una inspección previa al funcionamiento de la máquina para encontrar posibles problemas que podrían provocar mal funcionamiento o una pérdida de tiempo debido a una avería. Siga el mismo procedimiento cada vez, para evitar que algún paso se le olvide.

*NOTA: Antes de utilizar la máquina, realice el control previo al funcionamiento según los pasos enumerados en la sección Mantenimiento, Programación de mantenimiento.*

#### Puesta en marcha de la máquina

**POR SEGURIDAD: Antes de poner en marcha la máquina, asegúrese de que todos los dispositivos de seguridad están en su lugar y funcionan correctamente.**

12. El operario se debe encontrar sobre la plataforma del pedal. El pedal del acelerador debe estar en posición neutral.
13. Encienda la alimentación de la máquina girando el interruptor de contacto en la dirección de las agujas del reloj hasta la posición ENCENDIDO (ON).
14. Presione el interruptor de control direccional de reinicio de propulsión para restaurar y configurar la dirección deseada de la trayectoria.
15. Presione ligeramente el pedal del acelerador con el pie derecho.

### Procedimientos de parada de emergencia

1. Presione el botón de parada de emergencia. Esto hará que se active el freno de estacionamiento y que la máquina se detenga de inmediato.

### Aspiración normal

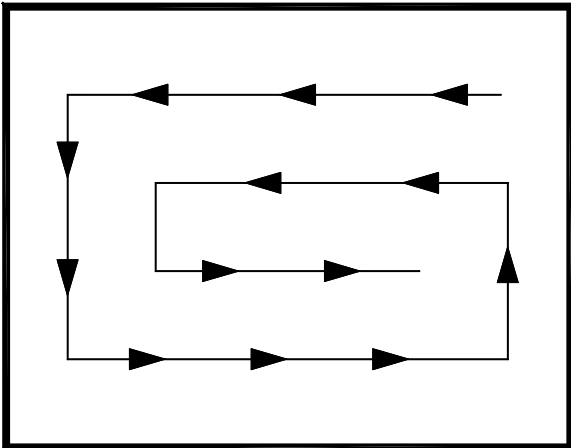
Planee el patrón de aspiración por anticipado. La ruta más larga es la que rodea el perímetro del área que va a ser limpiada. Para lograr un funcionamiento eficiente, deberían realizarse recorridos lo más largos posibles sin girar ni detenerse.

Para obtener los mejores resultados posibles, deberían recogerse todos los residuos en el área que va a limpiarse antes de aspirar. Deben retirarse los residuos de gran tamaño, cuerdas y alambres para evitar que queden atrapados en los cepillos.

*NOTE: Controle y vacíe la bandeja de residuos según sea necesario durante el funcionamiento.*

Si la máquina se deja en neutral con la plataforma de aspiración baja por más de 2 segundos, se detiene el motor de cepillado. Si se selecciona marcha hacia delante o hacia atrás, el motor de cepillado reanudará una vez que el movimiento de la máquina comience. Solape la senda de cepillado y evite el traslado por áreas limpiadas con anterioridad.

### Senda recomendada



### Para comenzar a aspirar



**Al manejar la máquina cerca de gente, preste especial atención a los movimientos inesperados. Ponga más atención si se trata de niños.**

1. Párese sobre la plataforma del operador. No debe deprimir el pedal del acelerador.
2. Gire el interruptor de contacto para encender la máquina.
3. Verifique la posición del interruptor de control direccional para asegurar que la máquina vaya a desplazarse en la dirección deseada.
4. Rote el interruptor de control de funcionamiento a una de las dos configuraciones de aspiración. El motor de aspiración arranca en unos segundos.
5. Deprima el acelerador para impulsar la máquina y active los cepillos y la escobilla lateral.

## Para dejar de aspirar

1. Saque el pie del pedal del acelerador permitiendo que regrese a la posición neutral.
2. Apague la alimentación de la máquina o cambie al modo de solo transporte.

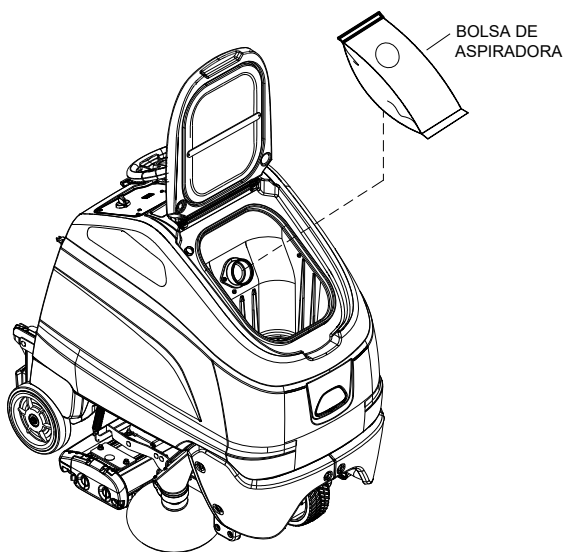
*POR SEGURIDAD: Antes de dejar de usar la máquina o repararla, deténgase en una superficie nivelada, apáguela y retire la llave.*

*POR SEGURIDAD: Cuando use la máquina, vaya despacio en las pendientes.*

## Cambio de la bolsa de aspiradora

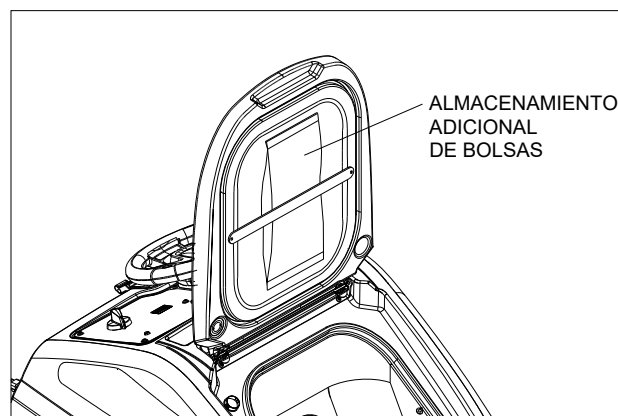
En el interior de la tapa hay un cómodo fleje para almacenar bolsas.

1. Aparque la máquina sobre un área nivelada.
2. Apague la máquina.
3. Levante la tapa.
4. Retire el borde de la bolsa de aspiradora de la boquilla.



5. Retire la bolsa de aspiradora de la caja de aspiración y elimine de manera adecuada.
6. Limpie la caja de aspiración y retire los residuos.

7. Saque una nueva bolsa de aspiradora limpia del fleje de almacenamiento de la cubierta.



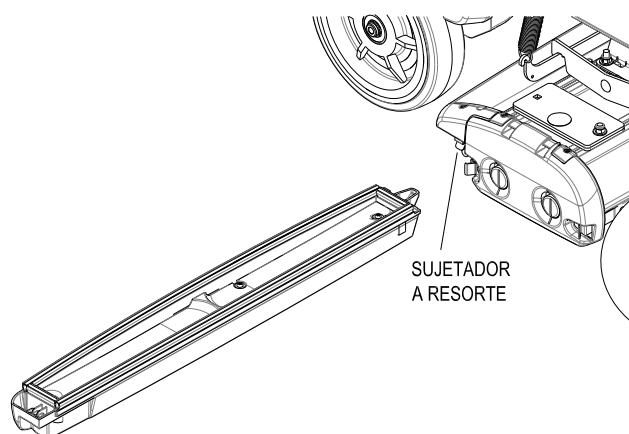
8. Coloque una bolsa nueva dentro de la caja de aspiración y empuje el borde sobre la boquilla.
9. Cierre la tapa.

## Extracción de la bandeja de residuos

1. Afloje el sujetador a resorte de la bandeja de residuos.
2. Separe la bandeja de la máquina.

## Instalación de la bandeja de residuos

1. Deslice la bandeja de residuos en su ranura de montaje.
2. Sujétela con el sujetador a resorte.



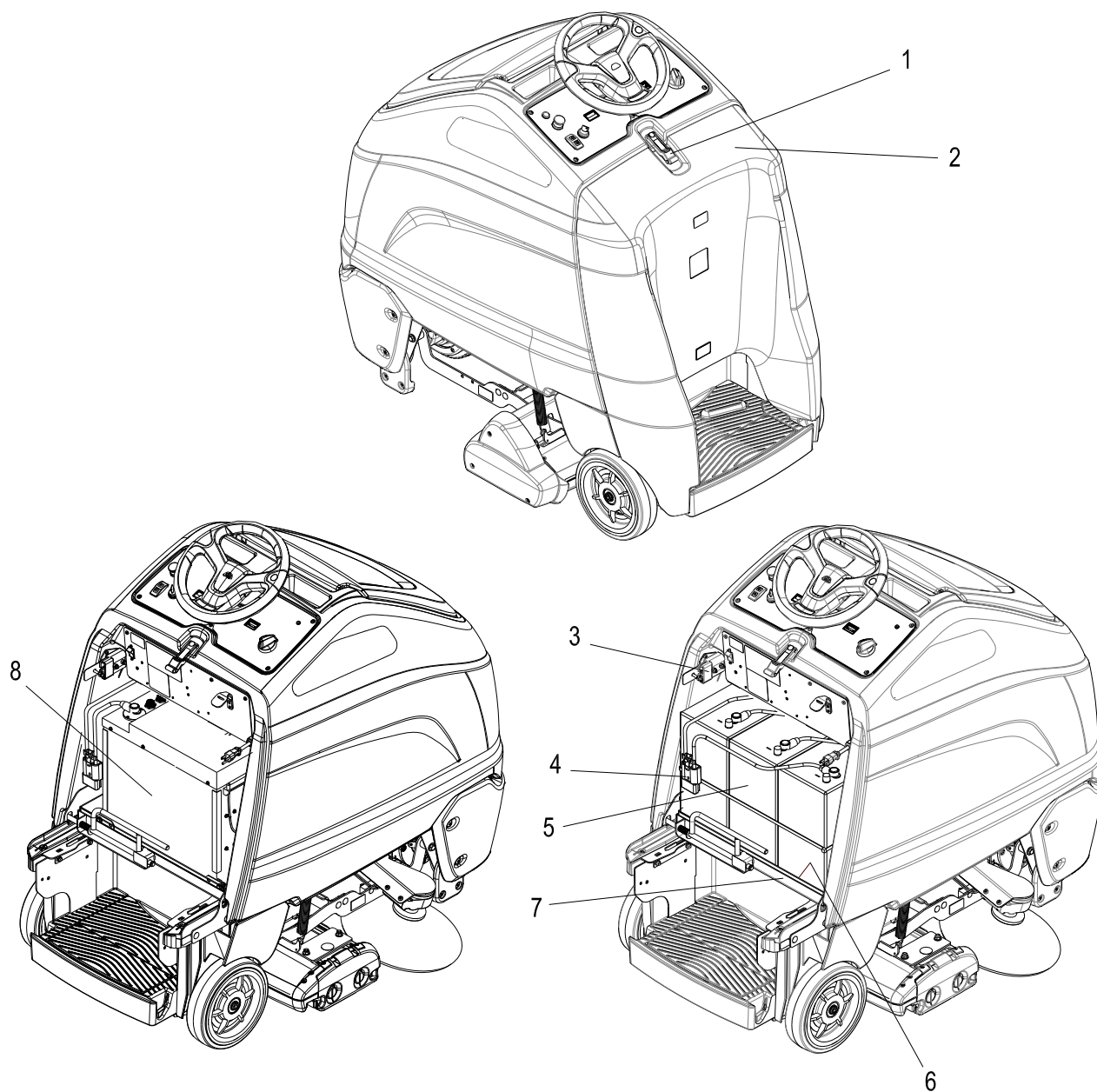




**Programación del Mantenimiento**

MAINTENANCE	BEFORE EACH WORK PERIOD	AFTER EACH WORK PERIOD	50 HRS	100 HRS	200 HRS
Controle el nivel de agua de las baterías después de la carga; añada agua destilada si es necesario. (Únicamente celdas húmedas)	*				
Controle que la tapa de la caja de aspiración cierra bien.	*				
Compruebe visualmente si las ruedas están dañadas o desgastadas.	*				
Compruebe si los cepillos o las almohadillas están correctamente instalados.	*				
Verifique las conexiones de la manguera de aspiración.	*				
Controle que no haya acumulación de residuos en las mangueras.	*				
Compruebe que las mangueras de vaciado, el tapón y la tapa están acoplados con firmeza.	*				
Limpie los cepillos y compruebe si hay desgaste.		*			
Retire la tapa del cojinete del extremo del cepillo. Limpie el cojinete y la tapa.		*			
Vacíe la bandeja de residuos.		*			
Compruebe que la bolsa de aspiración no esté llena y cámbiela si es necesario.		*			
Cargue las baterías.		*			
Limpie la parte superior de las baterías.			*		
Verifique las celdas de las baterías con un hidrómetro. (Únicamente celdas húmedas)			*		
Compruebe que las conexiones de las baterías estén firmes.			*		
Limpie las cajas y el compartimiento de las baterías.				*	
Inspeccione y reemplace todos los filtros incluidos los del escape, la admisión y los microfiltros.				*	
Verifique el freno.					*
Controle el freno.					*
Verifique si hay desgaste de las escobillas de carbón de todos los motores.					*
Compruebe los conmutadores de motores.					*
Compruebe el tensor de la dirección.					*
Verifique el desgaste de las varillas protectores ATV de la plataforma de cepillado.					*

### Baterías



1. Seguro de la tapa trasera
2. Tapa trasera
3. Conector de baterías - Máquina
4. Conector de baterías - Batería
5. Baterías
6. Revestimiento de la bandeja de las baterías
7. Bandeja de las baterías
8. Baterías - Opción de batería de litio

## **Baterías (únicamente de celda húmeda)**

Las baterías proporcionan la energía para operar la máquina. Las baterías requieren un mantenimiento regular para que sigan funcionando a su eficacia máxima.

Las baterías de la máquina conservarán su carga durante períodos de tiempo prolongados pero sólo pueden ser cargadas una cantidad determinada de veces. Para lograr una mayor vida útil de las baterías, cárguelas cuando su nivel de carga llegue al 25% de la carga total. Utilice un hidrómetro para controlar el nivel de carga.

No deje que las baterías permanezcan descargadas por un periodo de tiempo prolongado. Nunca exponga una batería descargada a temperaturas bajo cero. Las baterías descargadas se congelarán causando la quebradura de la carcasa. No opere la máquina si las baterías se encuentran en malas condiciones o si cuentan con un nivel de carga por debajo del 25% (peso específico por debajo de 1.155)

Aleje cualquier objeto metálico de la parte superior de las baterías ya que podría causar un cortocircuito. Reemplace los cables y los terminales gastados o dañados.

Controle el nivel electrolítico en cada celda de batería antes y después de cargar las baterías. Nunca agregue ácido a las baterías, use agua destilada. No deje que el nivel del agua caiga por debajo de las placas de la batería. Las porciones de placa expuestas al aire se destruirán. No las recargue demasiado. Mantenga los tapones firmemente en su lugar en todo momento.

### **⚠ PRECAUCIÓN:**

Cuando realice el mantenimiento de la máquina, evite el contacto con el ácido de las baterías.

### **⚠ ADVERTENCIA:**

Las baterías emiten gas hidrógeno. Es posible que se produzcan explosiones o incendios. Mantenga las baterías alejadas de chispas y llamas. Mantenga las tapas abiertas durante la carga.

### **⚠ ADVERTENCIA:**

Utilice protección para los ojos y vestimenta adecuada cuando trabaje con baterías.

### **⚠ ADVERTENCIA:**

**Cargue las baterías en un área bien ventilada.**

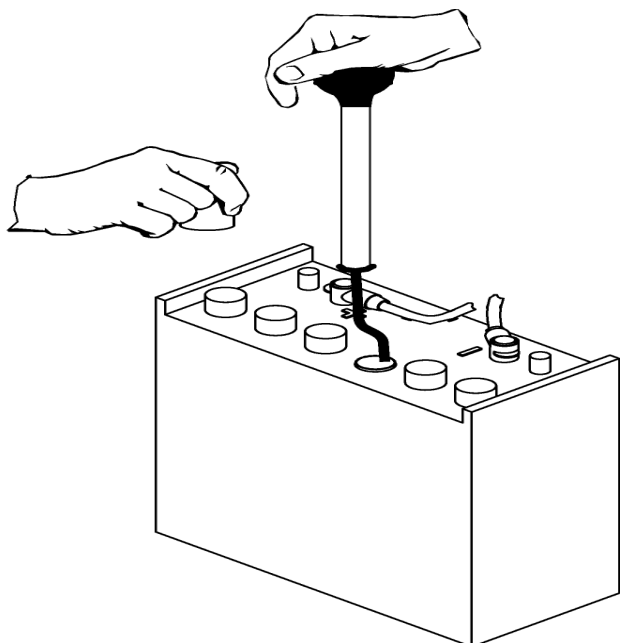
## **Mantenimiento de las baterías**

1. Cuando limpie las baterías, use una solución de bicarbonato de sodio y agua. No deje que el fluido de limpieza ingrese a las celdas de las baterías ya que se neutralizarán los electrolitos.
2. Mantenga el nivel electrolítico adecuado en cada celda de batería. Si una celda se desborda accidentalmente, límpiela inmediatamente.
3. Limpie la parte superior de las baterías al menos una vez por semana.
4. Pruebe el estado de las baterías con un hidrómetro al menos una vez por semana.
5. Asegúrese de que todas las conexiones estén ajustadas y que no haya restos de corrosión.
6. Cada 4 a 6 meses, extraiga las baterías de la máquina y limpie la carcasa y el compartimiento de las baterías.

## Mantenimiento

### Comprobar el peso específico de la batería

Utilice un hidrómetro para controlar el peso específico de la batería.



**NOTA:** No tome las lecturas inmediatamente después de agregar agua destilada; si el agua y el ácido no se mezclan bien, las lecturas pueden ser incorrectas.

Controle las lecturas del hidrómetro con los valores de este cuadro

<b>PESO ESPECÍFICO @ 80 ° F (27 ° C)</b>	<b>ESTADO DE LA BATERÍA</b>
1.265	CARGA 100%
1.225	CARGA 75%
1.190	CARGA 50%
1.155	CARGA 25%
1.120	DESCARGADA

**NOTA:** Si las lecturas se toman cuando los electrolitos de la batería están a una temperatura diferente de 27°C (80°F), las lecturas deben corregirse en función de la temperatura.

Para hallar la lectura de peso específico corregida cuando la temperatura del electrolito de la batería es diferente de 27°C (80°F): Sume (+) a la lectura de peso específico 0.004 (4 puntos), por cada 6°C (10°F) por encima de 27°C (80°F). Reste (-) a la lectura de peso específico 0.004 (4 puntos), por cada 6°C (10°F) por debajo de 27°C (80°F).

### Cargar las baterías

#### **⚠ PRECAUCION:**

Cuando realice el mantenimiento de la máquina, evite el contacto con el ácido de las baterías.

#### **⚠ ADVERTENCIA:**

Las baterías emiten gas hidrógeno. Es posible que se produzcan explosiones o incendios. Mantenga las baterías alejadas de chispas y llamas. Mantenga las tapas abiertas durante la carga.

#### **⚠ ADVERTENCIA:**

Utilice protección para los ojos y vestimenta adecuada cuando trabaje con baterías.

#### **⚠ ADVERTENCIA:**

Cargue las baterías en un área bien ventilada.

### Cargador externo

Use un cargador de CC de 36 voltios, con una salida máxima de 20 amperes, el cual se detendrá automáticamente cuando las baterías estén totalmente cargadas.

1. Detenga la máquina en un área limpia y bien ventilada cerca del cargador.
2. Apague la máquina.

**POR SEGURIDAD:** Antes de dejar de usar la máquina o repararla, deténgase en una superficie nivelada, apáguela y retire la llave.

3. Abra la tapa trasera, desconecte las baterías de la máquina, desenganche la bandeja de las baterías y tire hacia fuera para dejar las baterías a la vista.

#### **⚠ ADVERTENCIA:**

Las baterías emiten gas hidrógeno. Es posible que se produzcan explosiones o incendios. Mantenga las baterías alejadas de chispas y llamas. Mantenga las tapas abiertas durante la carga.

4. Controle el nivel de electrolitos en cada celda de la batería. Antes de realizar la carga, agregue el agua destilada suficiente como para cubrir las placas. Cuando la carga esté completa, agréguele el agua destilada suficiente para elevar el nivel hasta el anillo indicador. Si el nivel de agua es demasiado alto antes de cargar, la tasa normal de expansión del electrolito puede provocar que el agua rebose y resultar en una pérdida del balance del ácido en las baterías y en daños para la máquina.
  5. (Solo celdas húmedas) Instale las tapas de las baterías y déjelas en su lugar mientras realiza la carga.
- POR SEGURIDAD: Cuando realice la carga, conecte el cargador a las baterías antes de conectar el cargador al tomacorriente de pared de CA. Nunca conecte el cargador al tomacorriente de pared de CA en primer lugar. Podrían saltar chispas peligrosas.**
6. Enchufe el conector del cargador al conector de la batería. Conecte el enchufe de CA del cargador a un tomacorriente de pared. El indicador del cargador debería indicar que las baterías se están cargando.
  7. Cuando las baterías están totalmente cargadas, desconecte el cargador del tomacorriente de pared de CA y luego desconecte el cargador de las baterías.
  8. (Solo celdas húmedas) Controle el nivel de electrolitos. Debería llegar hasta el anillo indicador. Si es necesario, agregue agua destilada. Instale las tapas de las baterías.
  9. Introduzca y enganche la bandeja de las baterías, conecte las baterías a la máquina, encienda el disyuntor y cierre la cubierta trasera.
4. (Solo celdas húmedas) Desenganche y extraiga la bandeja de las baterías para exponer las baterías.
  5. (Solo celdas húmedas) Controle el nivel de electrolitos de cada celda de las baterías. Antes de realizar la carga, agregue el agua destilada suficiente como para cubrir las placas. Si el nivel de agua es demasiado alto antes de cargar, la tasa normal de expansión de los electrolitos puede provocar que el agua rebose y como resultado se pierda el equilibrio ácido de las baterías y se dañe la máquina.
  6. (Solo celdas húmedas) Coloque las tapas de las baterías y déjelas en su lugar mientras realiza la carga.
  7. Suelte el cable del cargador. Conecte el enchufe de CA del cargador a un tomacorriente de pared. El indicador del cargador debería indicar que las baterías se están cargando. Deje ligeramente abierta la cubierta trasera para permitir que ventile.
  8. Cuando las baterías estén totalmente cargadas, desconecte el cargador del tomacorriente de CA de pared y luego desconecte el cargador de baterías.
  9. (Solo celdas húmedas) Controle el nivel de electrolitos. Debería llegar hasta el anillo indicador. Si es necesario, agregue agua destilada. Coloque las tapas de las baterías.
  10. (Solo celdas húmedas) Introduzca y enganche la bandeja de las baterías.
  11. Active el disyuntor, y cierre la cubierta trasera.

### Cargador integrado

1. Detenga la máquina en un área limpia y bien ventilada próxima al tomacorriente de CA.
2. Apague la máquina.
3. Abra la cubierta trasera y desconecte el disyuntor.

### ADVERTENCIA:

**Las baterías emiten gas hidrógeno. Es posible que se produzcan explosiones o incendios. Mantenga las baterías alejadas de chispas y llamas. Mantenga las tapas abiertas durante la carga.**

## Mantenimiento

### Cambiar las baterías

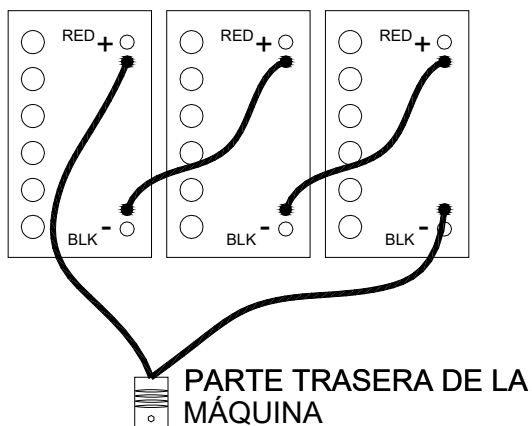
Detenga la máquina en un área limpia cerca del cargador. Desconecte la máquina.

**POR SEGURIDAD: Antes de dejar de usar la máquina o repararla, deténgase en una superficie nivelada, apáguela y retire la llave.**

1. Retire la tapa posterior.
2. Desactive el disyuntor y desconecte las baterías de la máquina.
3. Desenganche la bandeja de baterías de la máquina y tire hacia fuera para dejar las baterías a la vista.
4. Use una llave de tuercas abierta del tamaño adecuado para desconectar los conductores a tierra y asegure que la terminal del cable esté alejada de las baterías.
5. Desconecte el cable eléctrico positivo y coloque las terminales del cable lejos de las baterías.
6. Suelte los terminales de cada cable de acoplamiento y retire uno cada vez.
7. Prepare un sitio adecuado para ubicar las baterías.
8. Extraiga las baterías de la máquina.

### **! ADVERTENCIA:**

Conecte un dispositivo de elevación de baterías adecuado y eleve las baterías de la máquina. Las baterías son un riesgo potencial para el medioambiente. Consulte a su proveedor de baterías acerca de cómo deshacerse de sus baterías de manera segura.



**Cargador incorporado (opcional)**

**⚠ PRECAUCIÓN:**

**El interruptor debe estar apagada antes de desconectar la batería**

**Programación del cargador incorporado**

*Para las máquinas con cargador integrado opcional. Cuando sustituya las baterías, es posible que se necesite hacer cambios en la programación del cargador. Si sustituye baterías del mismo tipo, (por ejemplo, baterías sin mantenimiento por baterías sin mantenimiento), no se necesita programación. Cuando las baterías son de diferente tipo (por ejemplo, baterías sin mantenimiento por baterías de celdas húmedas), se necesitará hacer cambios en la programación. Si no se realizan estos cambios en la programación, puede reducirse la vida útil de la batería.*



4. Vuelva a colocar la etiqueta sobre el cargador y ponga nuevamente el cargador en su lugar. Ajuste las cuatro tuercas para asegurar el cargador al soporte de montaje.

1. Saque cuatro tuercas del soporte de montaje del cargador. Levante y saque el cargador de debajo de la cubierta.
2. Separe la etiqueta del cargador para acceder a los interruptores DIP.
3. Cambie los interruptores al tipo de batería correcto.

	DIP 1	DIP 2	DIP 3	DIP 4	DIP 5	DIP 6	DIP 7	DIP 8
PLOMO ÁCIDO	OFF	ON	ON	ON	OFF	ON	ON	OFF
VER AGM	ON	OFF	OFF	OFF	OFF	ON	ON	OFF

### Las Baterías de Litio - (opcional)



Este producto debe ser reciclado y está hecho con productos reciclados.

### Riesgo Químico

#### **! ADVERTENCIA:**

Las baterías de litio suponen un riesgo químico si son operadas, manejadas o usadas en forma indebida.

#### Lo que se debe hacer:

- Proteger los terminales contra cortocircuitos antes, durante y después de la instalación
- Usar guantes con aislamiento eléctrico
- Usar herramientas con aislamiento eléctrico
- Usar gafas de protección
- Usar botas / calzado de seguridad con protección en las puntas
- Manipular la batería con cuidado
- Sujetar la batería de forma segura
- Siempre asumir que los terminales de la batería tienen corriente

#### Lo que no debe hacer:

- No levantar o mover la batería mientras está en uso o funcionamiento
- No hacer funcionar o guarde la batería por fuera de los límites de funcionamiento
- No cortocircuitar la batería
- No perforar la batería
- No exponer la batería a las llamas ni la incinere
- No abrir la caja de la batería ni desarmar la batería
- No usar anillos, relojes, pulseras o collares cuando se vaya a manejar o trabajar cerca de la batería
- No dejar caer ni aplastar la batería
- No levantar la batería por los cables de los terminales
- No vibrar la batería
- No exponer la batería al agua u otros líquidos
- No exponer la batería a la luz directa del sol
- No desechar la batería
- No conectar la batería a otros tipos de baterías
- No exponer la batería a altas temperaturas
- No instalar con otros tipos o marcas de baterías



## Transporte

Si la batería no está instalada en un equipo, debe ser transportada en su empaque original o uno equivalente.

Las baterías son sometidas a pruebas en conformidad con el Manual de Pruebas y Criterios de las Naciones Unidas, parte III, Subsección 38.3 (ST/SG/AC. 10/11/ Rev.5). En lo que respecta al transporte, las baterías pertenecen a la categoría ONU 3480, Clase 9, Grupo de Embalaje II.

## Límites de Operación

La batería no debe ser operada por fuera de los siguientes límites de operación:

Límites de Operación	12-36-6700
Corriente de Carga Continua	150A
Corriente de Descarga Continua	150A
Voltaje de Carga	40.8 V
Voltaje de Funcionamiento (Min / Máx)	33.6 V / 43.8 V
Temperatura de Carga (Min / Máx)	0°C / 45°C (32°F / 113°F)
Temperatura de Descarga (Min / Máx)	-20°C / 50°C (-4°F / 122°F)
Almacenamiento Temperatura (Min / Máx)	-20°C / 45°C (-4°F / 113°F)

## PRECAUCIÓN:

**No instalar baterías en serie. Seleccionar el modelo adecuado de batería AES para el voltaje del Sistema.**

NOTA: El bypass deliberado del BMS para hacer funcionar la batería fuera de los límites mínimos y máximos anula la garantía.

## Fusible

El fusible proporciona protección de respaldo contra sobrecorriente.

## Recambio del fusible

Un fusible fundido requiere el servicio

### Manipulación

#### **! ADVERTENCIA:**

Leer la Sección de Seguridad antes de instalar la batería.

- La batería debe estar apagada.
- Los cables de la batería deben estar desconectados.
- Los terminales de la batería deben estar protegidos.
- Para levantar la batería debe usarse la manija de la batería.
- La batería debe ser manipulada por dos personas o por un elevador mecánico.
- No levantar o mover la batería mientras está en uso o funcionamiento.

### Instalación: Una sola batería

#### **! ADVERTENCIA:**

Leer la Sección de Seguridad antes de instalar la batería.

### Herramientas

- Herramientas aisladas del tamaño adecuado para los tornillos, tuercas y cables en uso
- Voltímetro
- Limpiador de bornes y cepillo de alambre
- Equipo de protección personal

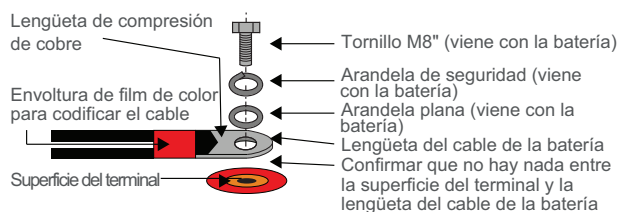
### Sujeción de la Batería

- La batería puede sujetarse en su lugar con correas de nailon no conductor
- La batería podría tener soportes de sujeción en la base de la batería

### Instalación

- Verificar que la batería esté apagada
- Si el circuito de la batería tiene desconexión, desconectar para aislar la batería
- Limpiar las conexiones de cables. Los cables rotos, deshilachados, quebrados o cortados deben ser cambiados
- Instalar y sujetar la batería nueva. Tener cuidado de no conectar a tierra los terminales a ningún montaje, elemento o parte de la carrocería de metal

- Conectar los cables de la batería. Conectar el cable de tierra en último lugar para evitar chispas
- El torque recomendado para los terminales es 9.0 Nm (6.64 ftlb)
- Cerrar el circuito de desconexión (si está abierto)
- Encender la batería



*NOTA: Todos los extremos de los cables tienen que estar conectados a terminales de batería sin ninguna arandela entre los bujes de los terminales y los extremos de los cables.*

**Lo siguiente hará que el terminal se funda:**

- Corrientes de descarga que exceden los límites permitidos
- Instalación incorrecta de los cables
- Calibre incorrecto de cables
- Torque incorrecto del terminal

*NOTA: Sin ninguna excepción, el producto con un terminal fundido no tiene garantía.*

*NOTA: Revisar los límites de operación.*

### Encendido-Apagado

- Para encender la batería, presione y mantenga el interruptor por 2 a 3 segundos
- Para apagar la batería, presione y mantenga el interruptor por 2 a 3 segundos



## Carga

Antes de operar el cargador, hay que asegurarse de leer y entender las instrucciones que vienen con el cargador. Nunca se debe intentar cargar una batería sin primer revisar y entender las instrucciones del cargador que se va a usar.

### **PRECAUCIÓN:**

**Siempre hay que asegurarse de que la curva de carga de los cargadores cumpla con los requisitos de carga de la batería; nunca cargar una batería visiblemente dañada; nunca cargar una batería congelada.**

1. Conectar el cable del cargador a la batería.
2. Confirmar que las conexiones del cable del cargador estén ajustadas, del lado del cargador y del lado de la batería.
3. Encender el cargador.
4. Encender la batería (si es necesario).

### **PRECAUCIÓN:**

**¡NO TODOS LOS CARGADORES SON CAPACES DE CARGAR BATERÍAS DE LITIO!**

Durante el diseño del sistema **CONFIRMAR** que el cargador elegido no es capaz de picos transitorios que excedan las **CALIFICACIONES MÁXIMAS DE LOS TERMINALES** de la batería.

## Descarga

- Encender la batería.
- Encender la carga

*NOTA: No descargar la batería por debajo de los voltajes mínimos de operación recomendados.*

*NOTA: No descargar la batería a un rango mayor que la corriente de operación recomendada.*

## Almacenamiento

Los sistemas deben guardarse fuera del alcance de la luz solar directa con las siguientes condiciones de temperatura:

Temperatura mínima de almacenamiento	-20°C / -4°F
Maximum Storage Temperature	45°C / 113°F

El sistema debe guardarse con un estado de carga de batería del 80% y se debe revisar mensualmente para confirmar que el estado de carga no ha bajado a menos de 20%. En un estado de carga de 20% la batería se auto descargará en aproximadamente 2 meses.

## Protección y Fallos

- El BMS (Sistema de gestión de batería) genera fallos cuando se alcanzan los límites máximos de operación.
- El BMS activa un timbre cuando se disparan los límites de fallo.
- El BMS monitorea la siguiente información para fallos y advertencias:
  - Voltaje del módulo de la célula
  - Corriente de la batería
  - Temperatura de la batería

## Fallos y Acciones Correctivas

En caso de un fallo, el BMS (Sistema de gestión de batería) hará sonar un timbre sonoro de advertencia y el sistema se cortará después de una demora de 120 segundos.

NIVELES DE FALLA	
Parámetro	Punto de ruptura
Temperatura Alta	60°C / 140°F
Voltaje Alta	3.7 V en cualquier módulo celular
Voltaje Bajo	2.5 V en cualquier módulo celular
Sobrecorriente	150 A

Acciones Correctivas	
<b>Temperatura Alta</b>	Detenga la descarga o cargue. Deja enfriar la batería.
<b>Temperatura Bajo</b>	Detenga la descarga o cargue.
<b>Voltaje Alta</b>	Si está cargando, detenga la carga.
<b>Voltaje Bajo</b>	No descargue la batería. Cualquier corriente de descarga detectada forzará la batería a una falla de voltaje bajo. El usuario puede cargar la batería en recuperación de voltaje bajo Si no se detecta una corriente de carga dentro de los 2 minutos, el Sistema de Gestión de Baterías apagará la batería.
<b>Sobrecorriente</b>	Reduzca la corriente.
<b>Bajo SOC</b>	Detenga la descarga Cargue la batería

### Servicio y Mantenimiento

Las baterías deberían inspeccionarse con mucho cuidado regularmente para detectar y corregir problemas potenciales antes de que puedan causar daño. La rutina debería comenzar ni bien se reciben las baterías.

### Inspección

- Busque rajaduras en la caja
- Verifique la batería, los terminales y las conexiones para asegurarse de que estén limpios, sin polvo, sin fluidos ni corrosión
- Todos los cables de las baterías y sus conexiones deben estar firmes, intactos y NO rotos o deshilachados
- Reemplace las baterías dañadas
- Reemplace los cables dañados
- Verifique la torsión de las tuercas de los terminales
- Detenga la máquina en un área limpia.  
Desconecte la máquina.

### Resolución de problemas

La batería no se encenderá:

<b>Síntoma</b>	¿Se enciende la batería por un tiempo corto, luego se apaga por sí sola?
<b>Descripción</b>	Es probable que la batería esté en un voltaje bajo o en un estado de carga bajo.
<b>Acción</b>	Conecte el cargador y encienda la batería.

<b>Síntoma</b>	¿Se dejó la batería colocada o almacenada por períodos prolongados de tiempo?
<b>Descripción</b>	La batería se apagará por sí sola en un 5% del estado de carga. Si se la dejó colocada en un estado de carga bajo, la batería puede haberse descargado por sí sola completamente y no puede utilizarse.
<b>Acción</b>	No la use. Reemplace y recicle.

### Cambiar la Batería

Detenga la máquina en un área limpia. Desconecte la máquina.

***POR SEGURIDAD: Antes de dejar de usar la máquina o repararla, deténgase en una superficie nivelada, apáguela y retire la llave.***

1. Retire la tapa posterior.
2. Desconecte las baterías de la máquina.
3. Desenganche la bandeja de baterías de la máquina y tire hacia fuera para dejar las baterías a la vista.
4. Use una llave de tuercas abierta del tamaño adecuado para desconectar primero los conductores a tierra y asegure que el terminal del cable esté alejado de las baterías.
5. Desconecte el cable de alimentación positivo y asegure los terminales del cable alejados de la batería.
6. Prepare un sitio adecuado para ubicar las baterías.

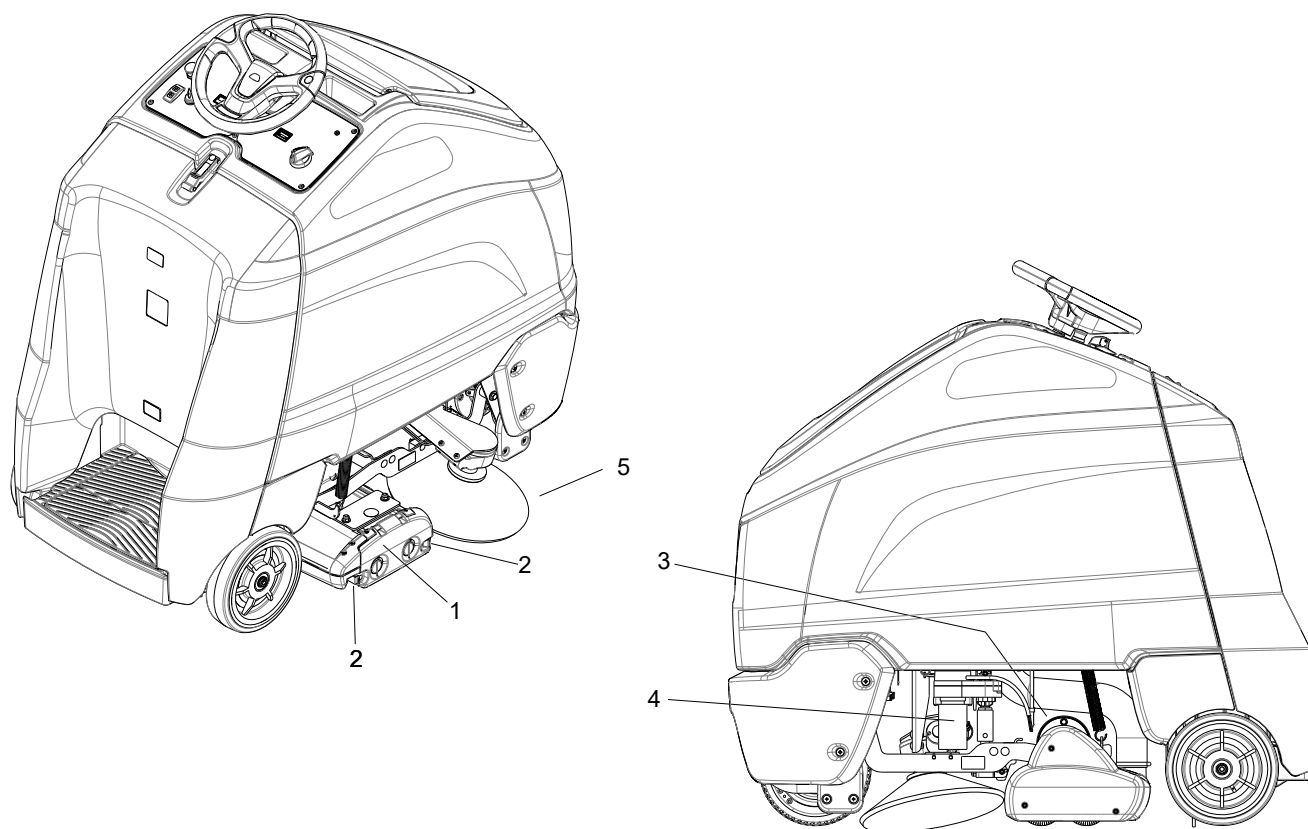
### **ADVERTENCIA:**

**Conecte un dispositivo de elevación de baterías adecuado y eleve las baterías de la máquina. Las baterías son un riesgo potencial para el medio ambiente. Consulte a su proveedor de baterías acerca de cómo deshacerse de sus baterías de manera segura.**

### Reciclaje y Desecho

Las baterías no deben mezclarse con residuos industriales o domésticos. Los Sistemas de Energía Avanzados de Discover son reciclables y deben procesarse a través de una agencia o distribuidor de reciclaje reconocido. Por favor, contacte a Discover® o su distribuidor de servicio para más información.





### Plataforma de cepillado

1. Plataforma de cepillado
2. Sujetadores de cepillos
3. Motor de cepillado
4. Accionador del elevador de la plataforma de cepillado
5. Escobilla lateral

## Extracción de cepillos y Limpieza de cojinetes

*NOTA: Los cepillos deben gastarse de manera uniforme de lado a lado. Los cepillos deben reemplazarse en conjunto cuando la longitud de la cerda se ha gastado hasta la altura de las cerdas amarillas PerformAlert™.*

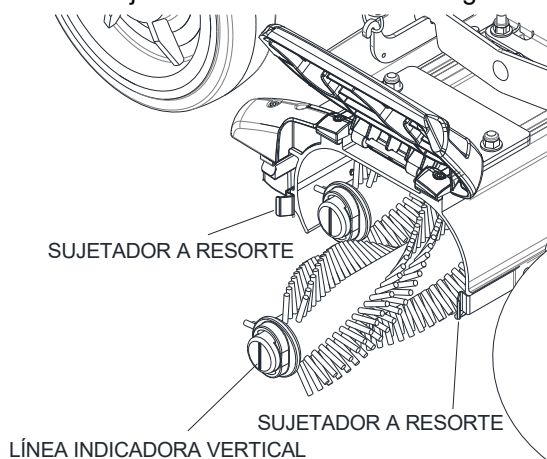
Los cepillos se sacan por el lado derecho de la máquina.

1. Libere los sujetadores a resorte de la puerta y gire la puerta de los cepillos hacia arriba.
2. Deslice los cepillos hacia afuera por la abertura lateral.
3. Retire la tapa del cojinete del extremo del cepillo.
4. Limpie los cojinetes y la tapa.



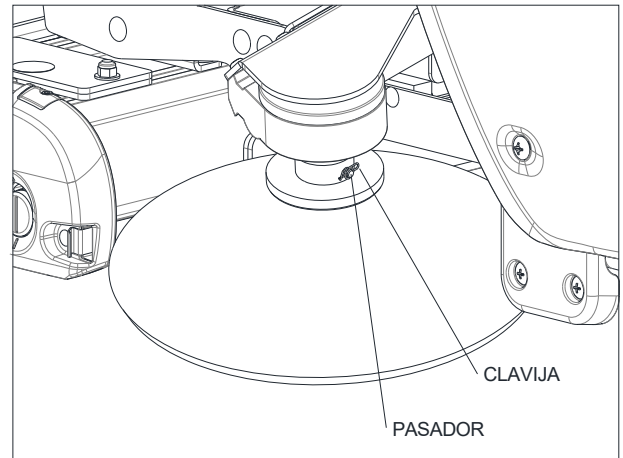
## Instalación de los cepillos

1. Deslice el cepillo a través de la abertura de la puerta y sobre el eje de propulsión. Asegúrese de que esté bien asentado y accionado por el sistema de plataforma.
2. Rote las tapas de los cepillos hasta que las líneas indicadoras de las puntas queden verticales.
3. Baje la puerta de los cepillos y verifique que ambos sujetadores a resorte estén enganchados.



## Extracción de la escobilla lateral

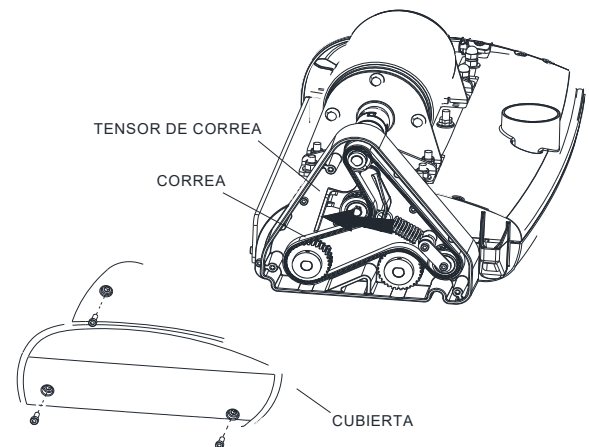
1. Retire las clavijas y los pasadores del conjunto de la escobilla lateral.
2. Separe la escobilla del conjunto.
3. Realice el proceso inverso para armarlo.



## Reemplazo de la correa

1. Saque los tres (3) tornillos de la cubierta y la cubierta.
2. Empuje el tensor de la correa hacia la izquierda como se indica para aflojar la tensión de la correa. Retire la correa y descártela.
3. Pase la correa nueva entre las poleas y el tensor.
4. Vuelva a colocar la cubierta.

*NOTE: La correa se debe instalar con las letras hacia afuera. Si se instala incorrectamente puede provocar un exceso de ruido.*



### Retire la plataforma de cepillado

1. Baje la plataforma de cepillado.
2. Desconecte la máquina.
3. Desconecte el cable de energía del motor de cepillado.
4. Desconecte la manguera de aspiración de la bandeja de residuos.
5. Desenganche el plato de elevación de resorte de los brazos de acoplamiento.
6. Quite el pasador y los herrajes que conectan el soporte de la plataforma transversal al accionador de la plataforma.
7. Retire ambas mitades del parachoques.
8. Saque los (2) tornillos y los herrajes que sujetan los brazos de acoplamiento a los soportes delanteros.
9. Deslice la plataforma y los brazos de acoplamiento hacia afuera por el lado izquierdo de la máquina.
10. Realice el proceso inverso para volver a armarlo.

### Reemplace el motor de la plataforma de cepillado

1. Retire la plataforma de cepillado de la máquina (ver arriba).
2. Saque las (2) tuercas de la cubierta del eje que sostienen la cubierta en su lugar y saque la cubierta.
3. Saque las (4) tuercas para liberar el soporte de montaje del motor de la plataforma.
4. Extraiga el motor con el buje del acoplador conectado.
5. Saque los (6) tornillos frontales de los soportes de montaje del motor.
6. Retire los soportes de montaje del motor.
7. Saque el buje del acoplador (1 tornillo de presión) del motor viejo para volver a usarlo.
8. Invierta el proceso para volver a armar con el motor nuevo.

### Reemplazo/Extracción del accionador de la plataforma de cepillado

**POR SEGURIDAD: Antes de dejar la máquina o realizar mantenimiento, deténgala en una superficie nivelada. Apague la máquina.**

1. Baje la plataforma de cepillado.
2. Apague la máquina.
3. Retire el cable del accionador de las abrazaderas P que lo sostienen en su lugar.
4. Desconecte el cable del accionador.
5. Quite el pasador y los herrajes que conectan el accionador de la plataforma al soporte de la plataforma transversal.
6. Quite el pasador y los herrajes que conectan el accionador de la plataforma al soporte de montaje del accionador.
7. Extraiga el accionador.
8. Saque los (2) tornillos que sujetan el soporte al tambor del accionador. Separe el soporte y saque el tambor.
9. Invierta el proceso para volver a armar con el accionador nuevo. Habrá que regular el accionador (ver Ajuste del accionador de la plataforma).



## Ajuste del accionador de la plataforma

Cuando vuelva a instalar el accionador deberá ajustarlo.

### Para ajustar el accionador:

1. Mientras sostiene el tambor del accionador para evitar que gire, aplique energía al accionador de modo que se extienda totalmente. Energía positiva al cable blanco y energía negativa/terra al cable negro. El limitador dentro del accionador evitará el sobrerrecorrido.
2. Gire el tambor hacia afuera, uno o dos giros completos, para asegurar que cuando se retraiga no se ligue contra sí mismo.
3. Mientras sostiene el tambor del accionador para evitar que gire, aplique energía al accionador de modo que se retraiga totalmente. Energía positiva al cable negro y energía negativa/terra al cable blanco. El limitador dentro del accionador evitará el sobrerrecorrido.
4. Con el accionador totalmente retraído, gire el tambor hacia adentro hasta que toque la base del eje roscado.
5. Cuando esté en la posición de fondo, gire el tambor hacia afuera una vuelta completa.
6. Conecte el accionador al acoplamiento de elevación. Si los orificios del tambor no se alinean con los soportes de acoplamiento, gire el tambor hacia afuera solo lo suficiente para alinearlo correctamente.
7. Suba y baje la cubierta de cepillado. Compruebe que el tambor del accionador no toque fondo.

## **ADVERTENCIA:**

**No use una lavadora de presión para limpiar alrededor de los motores de cepillado. Use solo la presión del grifo.**

## Reemplazo de los cepillos de carbón de los motores de cepillado

1. Trace las marcas de alineación del tambor del motor en las tapas del motor. Retire los dos pernos.
2. Retire el tapón del extremo del eje del motor frente al motor.

*NOTA: No pierda las tres arandelas onduladas de la tapa del motor. Observe el orden de las arandelas.*

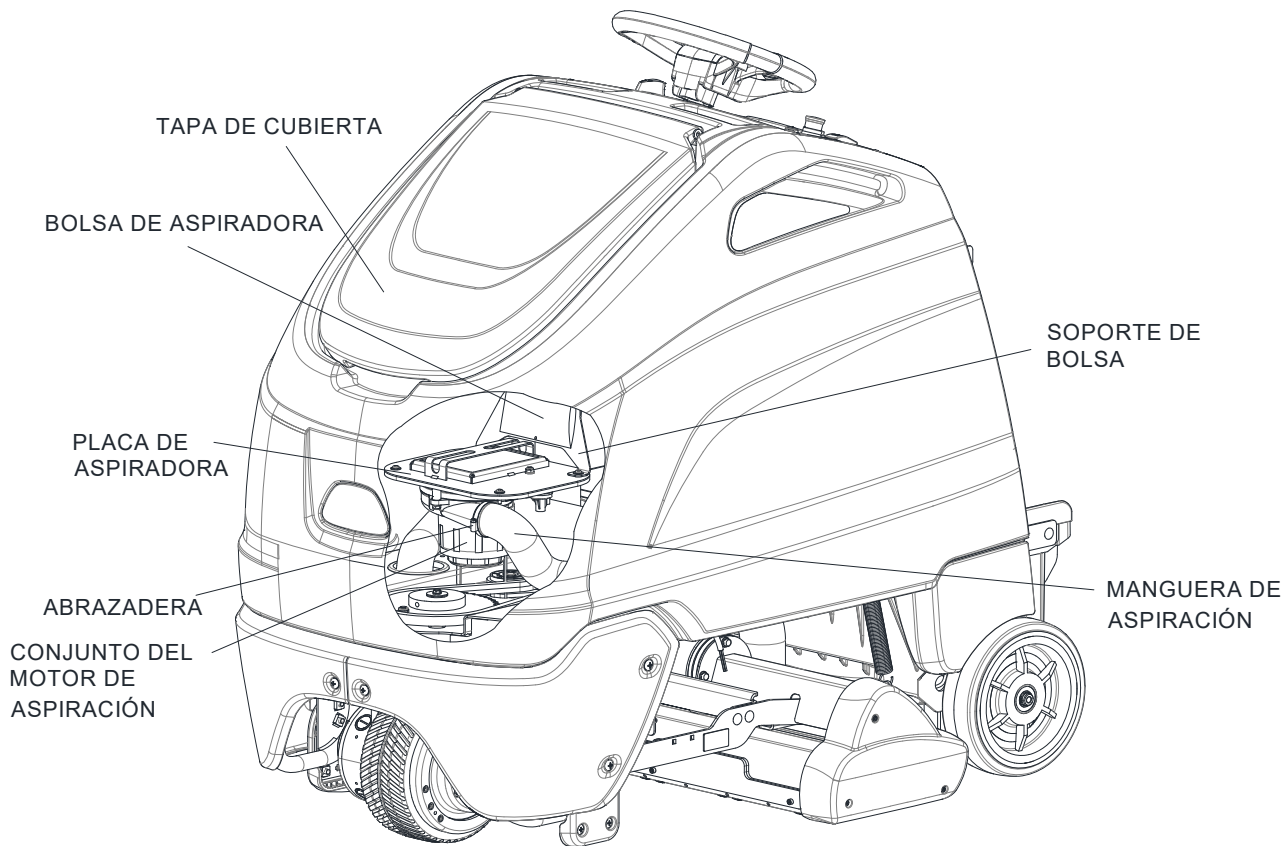
3. Libere la tensión del resorte del cepillo. Retire el tornillo que conecta el cable del cepillo al portacepillos. Limpie el portacepillos para asegurar que se mueva libremente.
4. Retraiga el resorte y coloque un cepillo nuevo. Instale el tornillo conector y el conductor.
5. Después de colocar todos los cepillos nuevos, retraiga cada cepillo hasta que el resorte presione contra el lado del cepillo sosteniéndolo en su lugar.
6. Coloque con cuidado el tapón sobre el cojinete del eje del motor.

*NOTA: Con cuidado verifique la alineación de las arandelas.*

7. Con el tapón parcialmente colocado, empuje los cepillos para que hagan contacto con el conmutador del motor.

*NOTA: Si no se sueltan todos los cepillos se producirá un fallo del motor.*

8. Vuelva a colocar los tapones y a alinearlos con las marcas trazadas sobre el tambor del motor. Vuelva a colocar los dos pernos, manteniendo la alineación entre el tambor del motor y el tapón.



### **⚠ ADVERTENCIA:**

Desconecte las baterías antes de trabajar sobre la máquina. Sólo personal autorizado debería trabajar dentro de la máquina. Use siempre protección ocular y ropa protectora para trabajar sobre las baterías o cerca de ellas. Evite que el ácido de las baterías entre en contacto con la piel.

### **Para extraer el motor de aspiración**

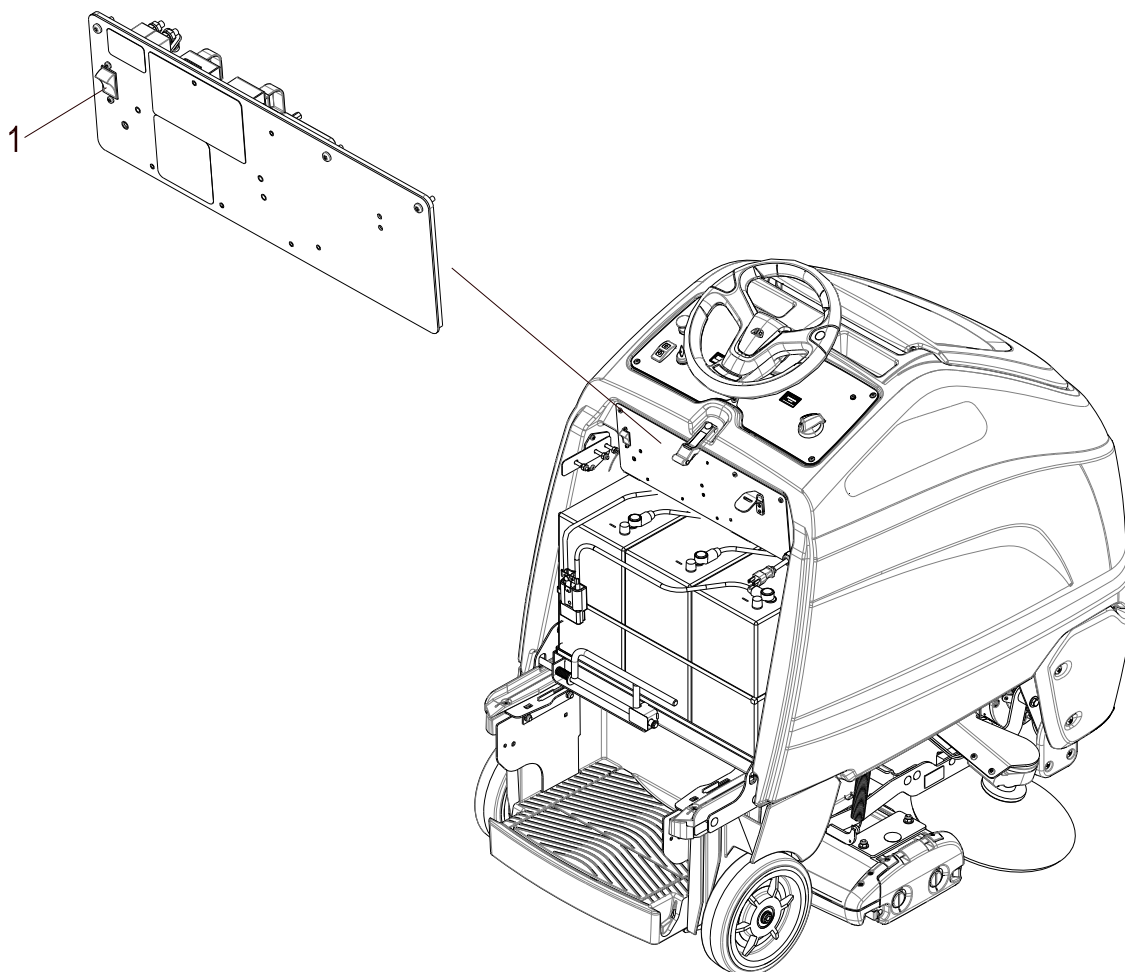
1. Apague la máquina.
2. Levante la tapa.
3. Quite la bolsa de aspiradora.
4. Saque los (4) tornillos y los herrajes que sostienen la placa de aspiradora y la cubierta del soporte de la bolsa. Saque las (2) tuercas que sostienen el motor de aspiración a la placa de aspiradora. Retire la placa de aspiradora.
5. Afloje la abrazadera de la manguera, luego desconecte la manguera del conjunto.
6. Desconecte los cables del motor de aspiración.
7. Retire el conjunto del motor de aspiración de la máquina.

8. Realice el proceso inverso para armarlo.

### **Reemplazo de los cepillos de carbón del motor de aspiración**

1. Retire el motor de aspiración.
2. Saque los (2) tornillos sobre la carcasa del motor y levante la carcasa para revelar los resortes.
3. Saque los (4) tornillos de fijación de los cepillos.
4. Extraiga los cepillos.
5. Invierta el proceso para armar con los cepillos nuevos.

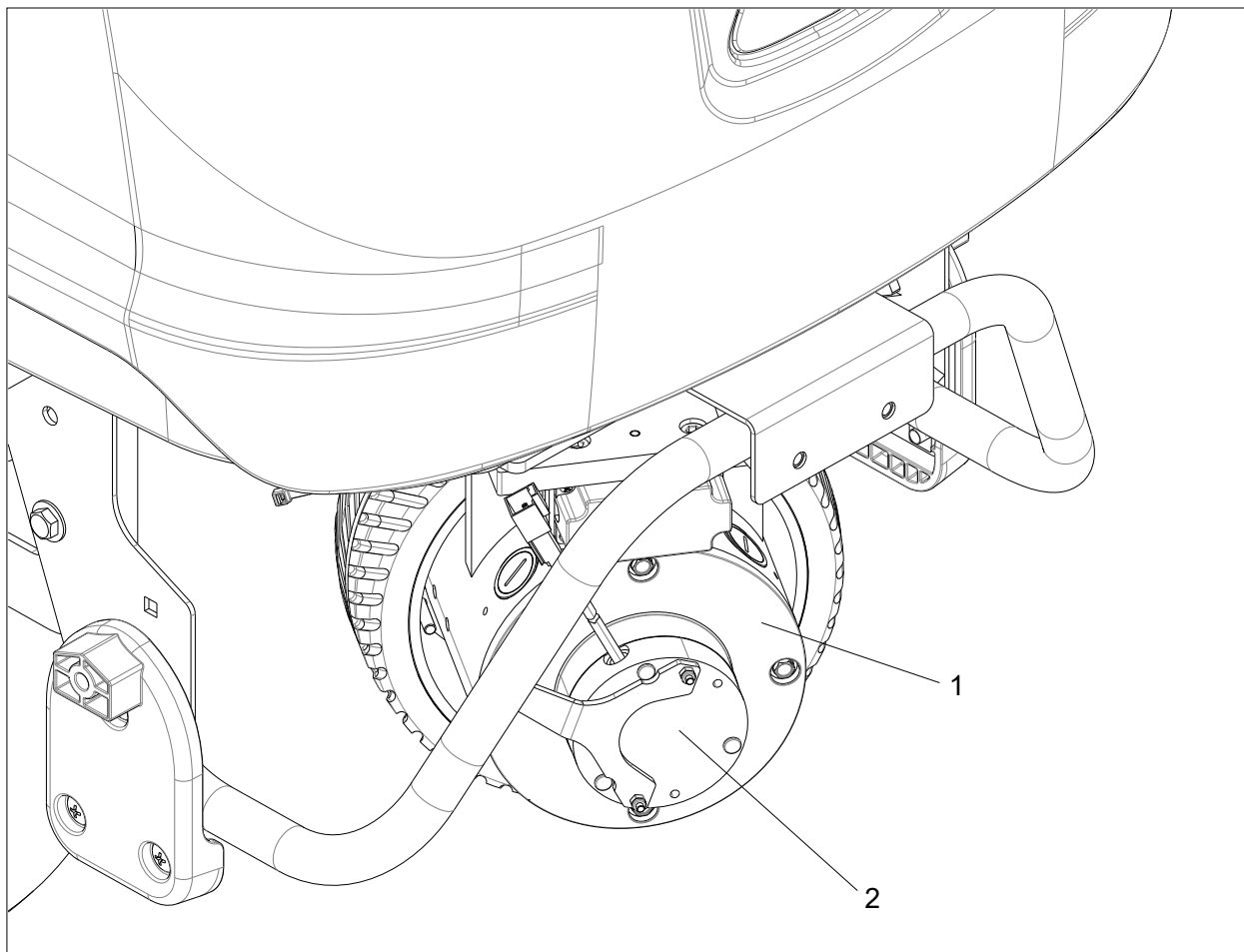
## Protección de los circuitos



### Disyuntores

#### Disyuntor Principal

Interrumpe el flujo de energía desde las baterías en caso de una sobrecarga eléctrica. Cuando el interruptor se dispara, se lo puede restaurar presionando el interruptor de palanca. Si un disyuntor sigue disparándose, debe buscarse la causa de la sobrecarga eléctrica y corregirla.



### **Motor de accionamiento**

1. Motor de accionamiento
2. Freno

## Colocación del freno de mano eléctrico

**POR SEGURIDAD:** Antes de dejar de usar la máquina o de repararla, deténgase en una superficie nivelada, apague la máquina y retire la llave.

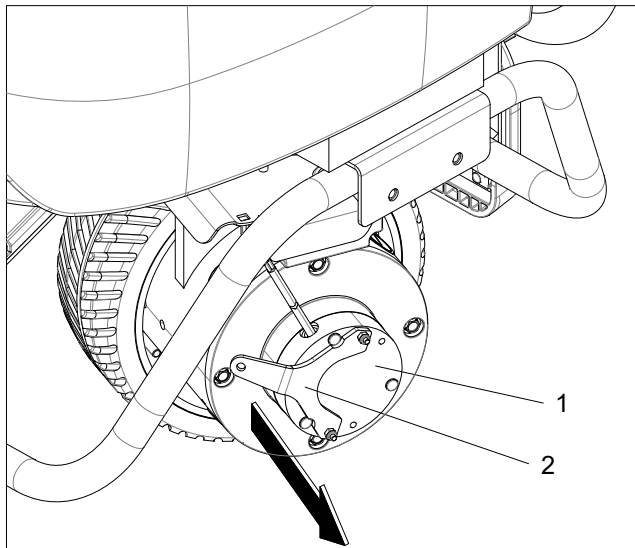
## Colocación del freno eléctrico

Esta máquina está equipada con freno de estacionamiento eléctrico.

El freno se activa automáticamente y evita que la máquina se mueva cada vez que el operario desciende de la plataforma o cuando se produce una parada de emergencia.

El freno tiene un dispositivo de neutralización de control que se puede colocar de modo que la máquina se pueda empujar o remolcar (lentamente).

## Para soltar el freno:



1. Tire de la palanca para alejarla del alojamiento del freno.
2. Inserte material para mantener la palanca de freno lejos de su alojamiento.

## **⚠ ADVERTENCIA:**

NO utilice la máquina cuando esta colocado el freno.

## Sustitución de las escobillas de carbón del motor de propulsión

## **⚠ ADVERTENCIA:**

NO use una lavadora de presión para lavar los motores. Use tan sólo la presión del grifo.

**POR SEGURIDAD:** Antes de dejar de usar la máquina o de repararla, deténgase en una superficie nivelada, apague la máquina y retire la llave.

**FOR SAFETY:** Before leaving or servicing machine, stop on a level surface, turn off machine and remove key.

1. Desconecte las baterías de la máquina.
2. Saque el parachoques derecho.
3. Retire las tapas de los cepillos de la carcasa del motor.
4. Extraiga los cepillos.
5. Invierta el proceso para volver a armar con los cepillos nuevos.

### Transporte

#### Empujar la máquina

La máquina se puede empujar en distancias cortas a una velocidad que no exceda los 8 km/h (5 mph). Sea cuidadoso y evite que la máquina sufra daños. La máquina puede empujarse manualmente desde la parte posterior.

NOTA: Para evitar los daños producidos por voltaje reactivo, desconecte el motor de tracción antes de remolcar o empujar la máquina.

#### Amarres de la máquina

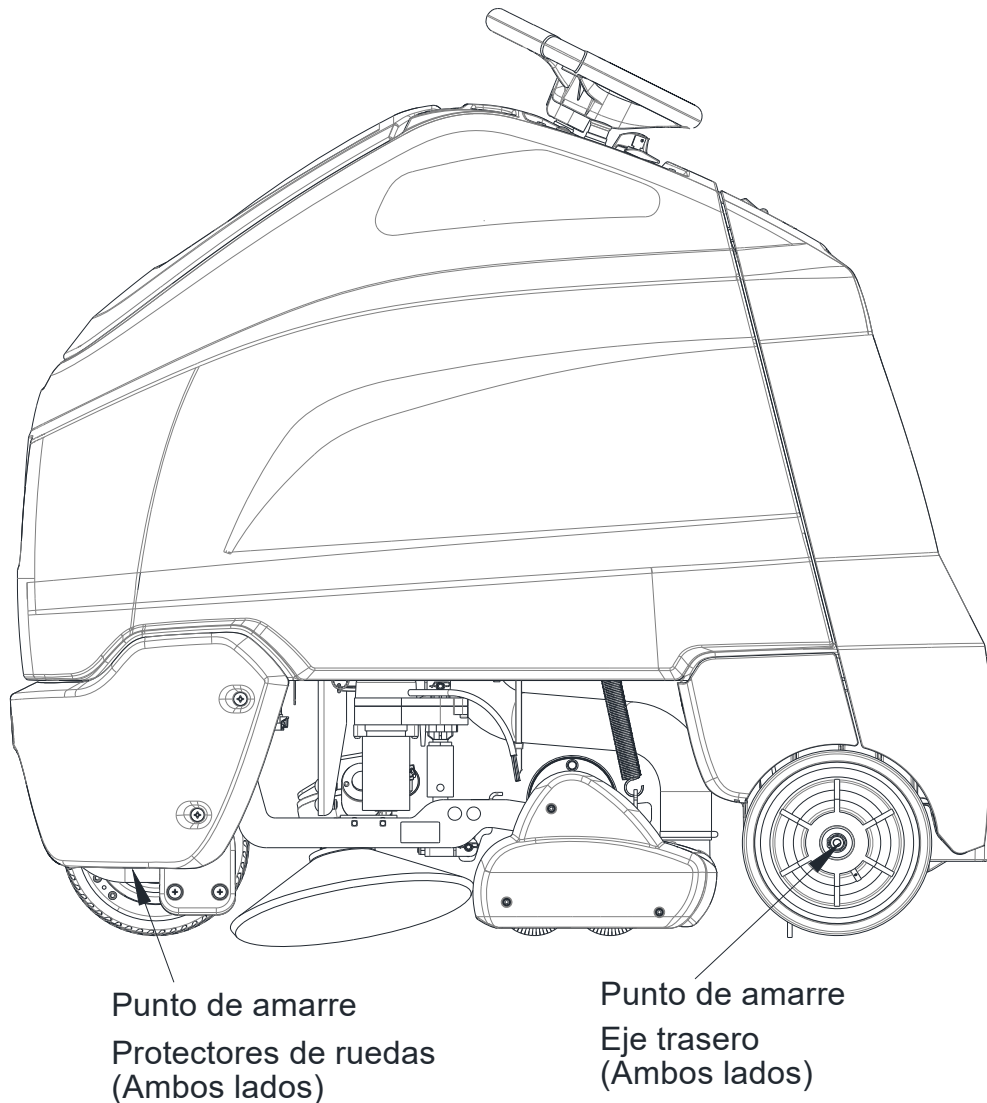
Hay cuatro puntos de amarre, dos en los protectores de las ruedas frontales y dos en el eje trasero, ubicados a ambos lados de la caja para pies.

### Carga y descarga del remolque

La plataforma de cepillado debe estar levantada antes de cargar la máquina.

Una vez cargada, baje la plataforma, apague la máquina y compruebe que el freno está engranado. Bloquee las ruedas para evitar que la máquina ruede y amarre la máquina con los anclajes indicados.

Realice el proceso inverso para descargarla.



**Resolución de problemas**

<b>PROBLEM</b>	<b>CAUSE</b>	<b>SOLUTION</b>
Máquina sin energía	Baterías desconectadas	Verifique todas las conexiones de cables de las baterías y reemplace o ajuste según sea necesario.
	Desconexión de emergencia activada	Restaure
	Conexiones de las baterías corroídas	Limpie las conexiones
	Interruptor de contacto defectuoso	Sustituya el interruptor
	El cargador incorporado está conectado	Desconecte y guarde el cable
	Disyuntor principal disparado	Restaure el disyuntor
Poca o ninguna propulsión	Baterías con poca carga	Cargue las baterías
	Máquina encendida sin el pedal en posición neutral	Restaure el disyuntor y controle el cepillo
	Se dispara el disyuntor	Restaure el disyuntor
	Las ruedas giran sobre sí	Controle los cables y las conexiones del controlador al motor, reemplace o ajuste según sea necesario.
	Controlador recalentado	Controle los cables y las conexiones del acelerador al controlador y la resistencia del potenciómetro
	Conexión del motor suelta	Controle los cables, las conexiones y el interruptor, reemplace o ajuste según sea necesario.
	Circuito del acelerador o potenciómetro defectuosos	Controle los cables, las conexiones y el interruptor. Reemplace o ajuste según sea necesario.
La máquina no cambia de velocidad	Circuito o interruptor de control de velocidad defectuoso	Controle los cables y las conexiones , reemplace o ajuste según sea necesario.
Sólo avanza hacia delante Sólo se desplaza marcha atrás	Circuito de marcha adelante/marcha atrás defectuoso	Reemplace el interruptor
El motor de aspiración no funciona, o lo hace lentamente.	Circuito o interruptor de aspiración defectuoso	Controle los cables, las conexiones y el motor, reemplace o ajuste según sea necesario.
	Escobillas del motor de aspiración desgastadas	Sustituya las escobillas, compruebe el conmutador
	Bolsa de aspiración llena	Reemplace la bolsa de aspiración
	Obstrucción en el sistema de aspiración	Verifique si hay residuos y extráigalos
	Baterías con poca carga	Cargue las baterías
Funcionamiento ineficiente de la aspiradora	Residuos atrapados en el sistema	Retire los residuos
	Baterías con poca carga	Cargue las baterías

## Mantenimiento

### Resolución de problemas

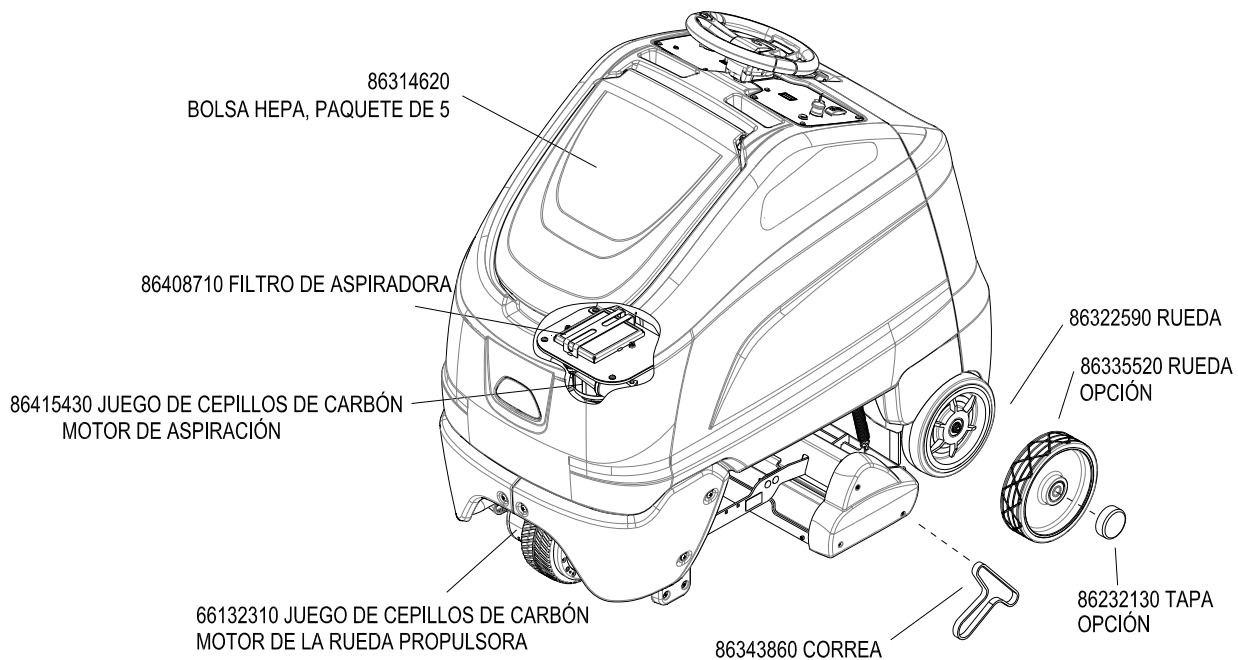
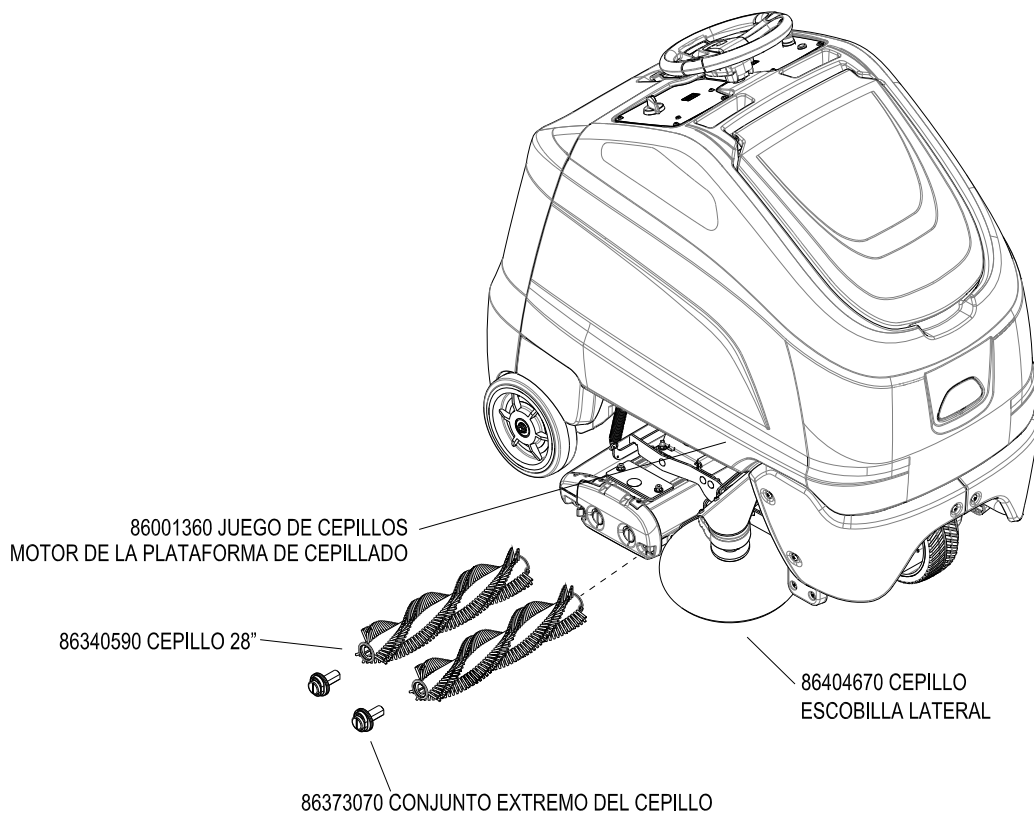
PROBLEM	CAUSE	SOLUTION
Los motores de cepillado no funcionan o funcionan lentamente	Bolsa de aspiración llena	Reemplace la bolsa de aspiración
	Obstrucción en el sistema de aspiración	Verifique si hay residuos y extráigalos
	Baterías con poca carga	Cargue las baterías
	Escobillas de motor de cepillos desgastadas	Sustituya las escobillas, compruebe el conmutador, reemplace o ajuste según sea necesario.
	Circuito o motor de los cepillos defectuoso	Controle los cables, las conexiones y el motor
Desempeño ineficiente del cepillos	Residuos atrapados entre los cepillos	Retire los residuos
	Cepillos gastados	Reemplace los cepillos
	Poca carga en las baterías	Cargue las baterías
La plataforma de cepillado baja, luego sube	Accionador o circuito del accionador defectuoso	Controle las conexiones de cables y el accionador y reemplace o ajuste según sea necesario.
Hay que vaciar la bandeja de residuos con demasiada frecuencia	Cantidades excesivas de materiales grandes o pesados sobre el piso.	Retire el inserto de la bandeja de residuos
	Alfombra nueva	Retire el inserto de la bandeja de residuos



**Códigos de falla del controlador**

CODIGO DE ERROR DELUXE	PROBLEMA	SOLUCIÓN
	ERROR DEL MOTOR Y CONTROLADOR DE TRACCIÓN	LA BATERÍA NECESITA CARGA O HAY UNA MALA CONEXIÓN DE LA BATERÍA AL CONTROLADOR DE TRACCIÓN. CARGUE LA BATERÍA O LLAME AL SERVICE Y PÍDALE AL TÉCNICO QUE VERIFIQUE EL CABLEADO.
	MOTOR DE TRACCIÓN DESCONECTADO	EL MOTOR DE TRACCIÓN TIENE UNA MALA CONEXIÓN. LLAME AL SERVICE Y PÍDALE AL TÉCNICO QUE VERIFIQUE EL CABLEADO.
	CORTOCIRCUITO DEL MOTOR DE TRACCIÓN	EL MOTOR DE TRACCIÓN TIENE UN CORTOCIRCUITO EN LA CONEXIÓN CON LA BATERÍA. LLAME AL SERVICE Y PÍDALE AL TÉCNICO QUE VERIFIQUE SI HAY CORTOCIRCUITO.
	FALLA AUX. o ACCIONADOR DE LA PLATAFORMA SOBRECARGA DE CORRIENTE	LLAME AL SERVICE Y PÍDALE AL TÉCNICO QUE VERIFIQUE LOS DISPOSITIVOS DE SALIDA AUX Y EL CABLEADO RELACIONADO.
	MOTOR DE ASPIRACIÓN SE DISPARA	EL MOTOR DE ASPIRACIÓN TIENE EXCESO DE CORRIENTE. LLAME AL SERVICE Y PÍDALE AL TÉCNICO QUE VERIFIQUE SI HAY CORTOCIRCUITO U OTROS DAÑOS.
	MOTOR DE CEPILLOS SE DISPARA	EL MOTOR DE CEPILLOS TIENE EXCESO DE CORRIENTE, LLAME AL SERVICE Y PÍDALE AL TÉCNICO QUE VERIFIQUE SI HAY CORTOCIRCUITOS, REVISE LAS ALMOHADILLAS U OTROS DAÑOS.
	ERROR CUANDO EL ACELERADOR SE DISPARA	EL ACELERADOR ESTÁ DESVIADO O EL CABLEADO RELACIONADO CORTADO O EN CORTOCIRCUITO. LLAME AL SERVICE Y PÍDALE AL TÉCNICO QUE VERIFIQUE EL ACELERADOS Y EL CABLEADO RELACIONADO.
	SISTEMA DE CONTROL SE DISPARA	EL SISTEMA DE CONTROL DE TRACCIÓN TIENE UN ERROR. LLAME AL SERVICE Y PÍDALE AL TÉCNICO QUE VERIFIQUE TODAS LAS CONEXIONES AL CONTROLADOR.
	FRENO DE SOLENOIDE	EL FRENO DE SOLENOIDE TIENE UNA MALA CONEXIÓN. LLAME AL SERVICE Y PÍDALE AL TÉCNICO QUE VERIFIQUE LAS CONEXIONES AL FRENO.
	VOLTAJE DE BATERÍAS ALTO	EXCESO DE VOLTAJE DE BATERÍA, LLAME AL SERVICE Y PÍDALE AL TÉCNICO QUE VERIFIQUE EL ESTADO DE LA BATERÍA.
	LA MÁQUINA NO ESTÁ DIVULGANDO A LA FLOTA DE KÄRCHER	LAS MÁQUINAS CON SOPORTE DE LA FLOTA KÄRCHER, LLAMEN AL SERVICE. LAS MÁQUINAS SIN SOPORTE DE LA FLOTA KÄRCHER, NO REQUIEREN ACCIÓN..

## Sugerido De Piezas Sueltas







**THANK YOU!**  
**MERCI! ¡GRACIAS! DANKE!**



Register your product and benefit from many advantages.

Enregistrez votre produit et bénéficiez de nombreux avantages.

Registre su producto y aproveche de muchas ventajas.

Registrieren Sie Ihr Produkt und Sie von vielen Vorteilen.

**[www.kaercher.com/welcome](http://www.kaercher.com/welcome)**



Rate your product and tell us your opinion.

Évaluez votre produit et donnez-nous votre opinion.

Reseña su producto y díganos su opinión.

Bewerten Sie Ihr Produkt und sagen Sie uns Ihre Meinung.



**[www.kaercher.com/dealersearch](http://www.kaercher.com/dealersearch)**

**Kärcher North America**  
6398 N Kärcher Way  
Aurora, CO 80019  
Phone: +1 800 444-7654

