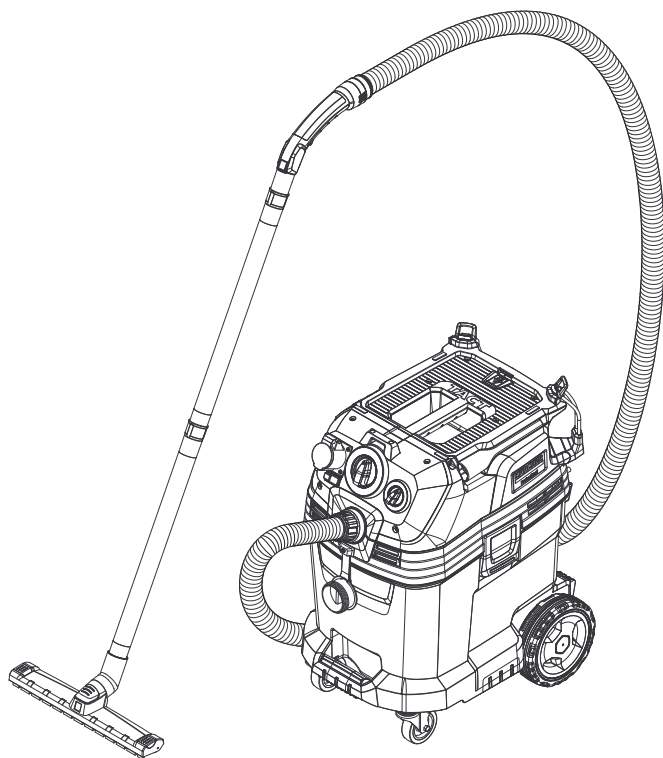


NT 40/1 Tact Te M

English

6

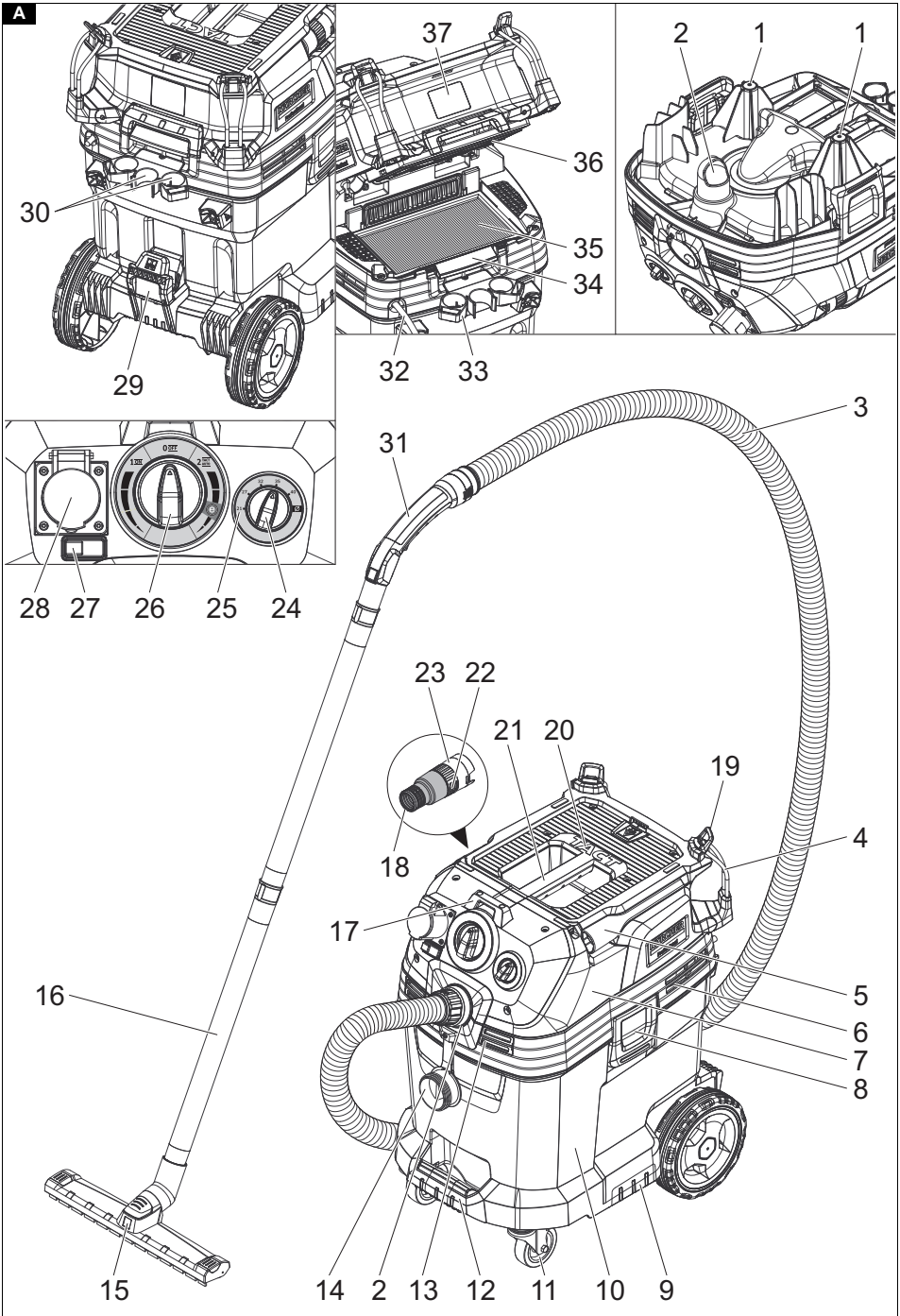


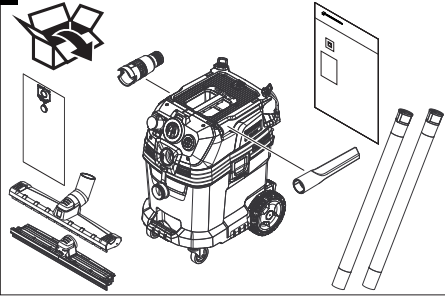
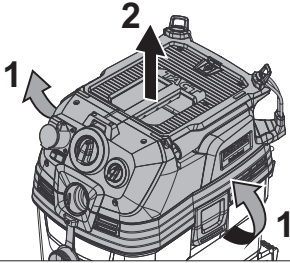
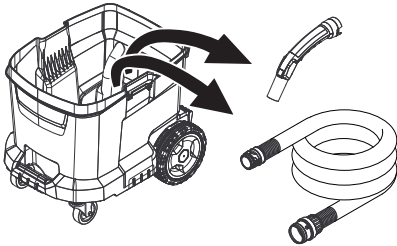
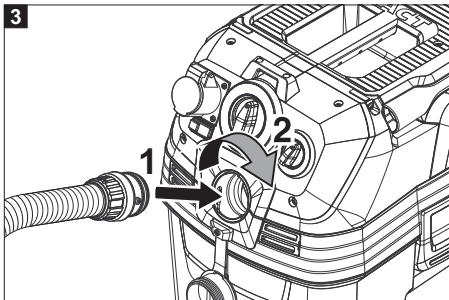
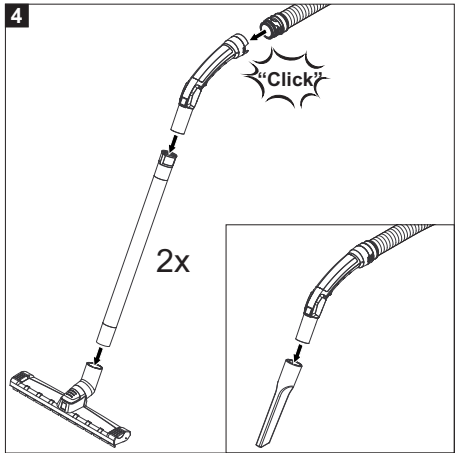
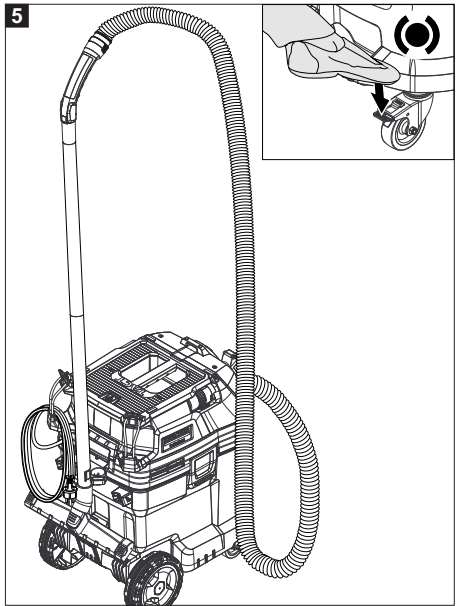
**Register
your product**
www.kaercher.com/welcome

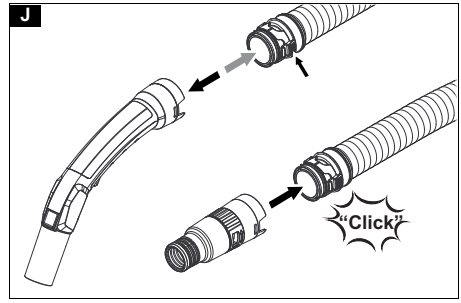
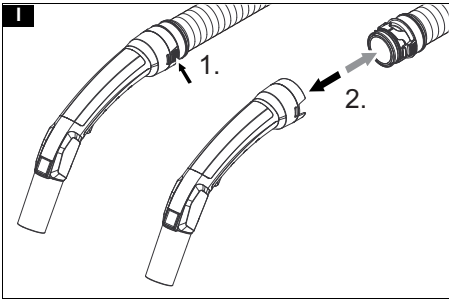
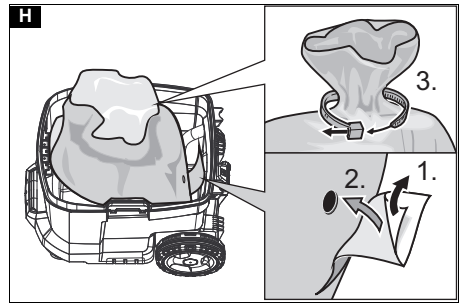
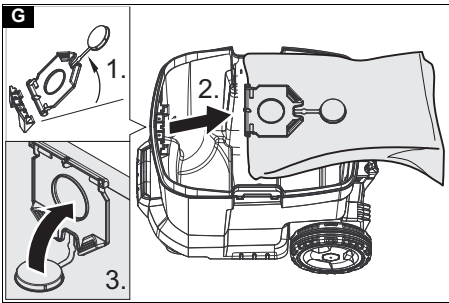
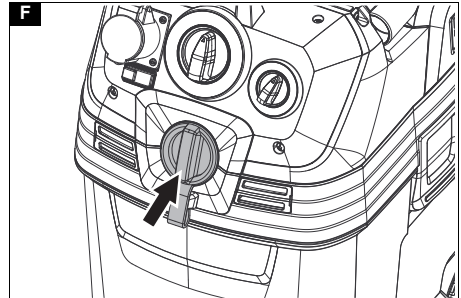
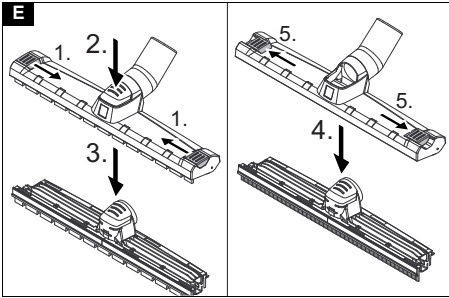
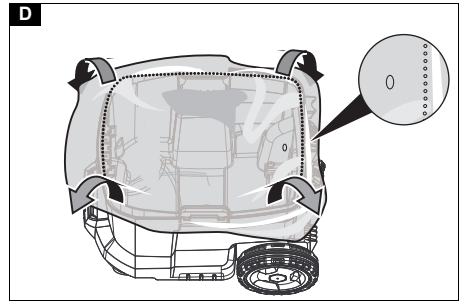
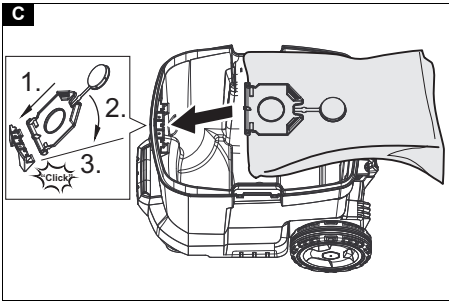


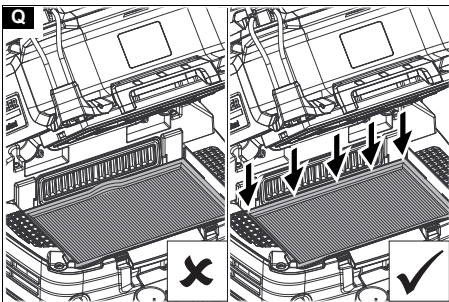
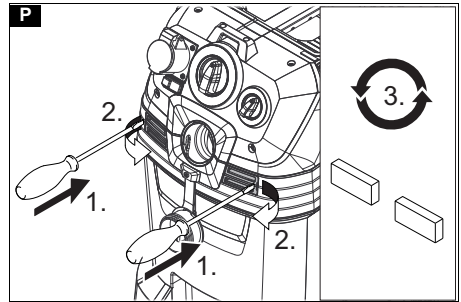
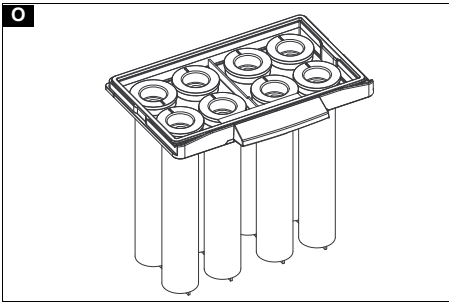
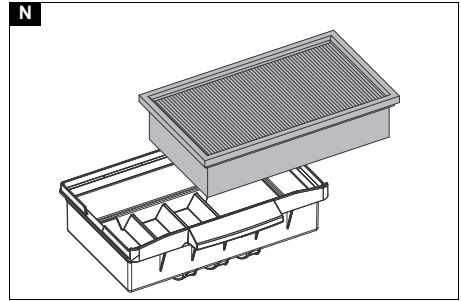
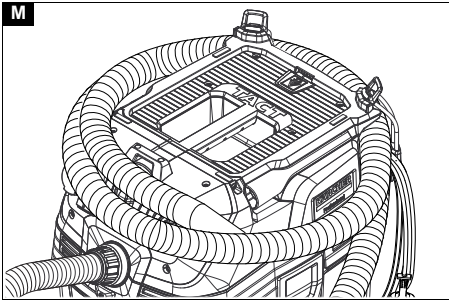
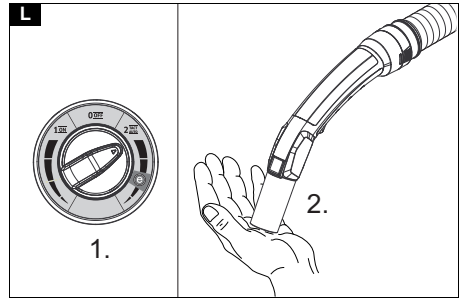
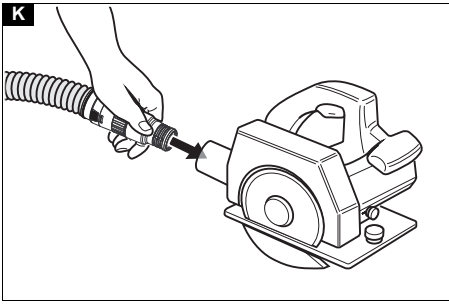
59697840 (03/21)

A



B**1****2****3****4****5**





Contents

General notes	6
Environmental protection	6
Intended use	6
Description of the device	6
Symbols on the device	7
Safety devices	7
Preparation	7
Initial startup	7
Operation	8
Transport	9
Storage	9
Care and service	9
Troubleshooting guide	10
Disposal	10
Warranty	10
Accessories and spare parts	10
Declaration of Conformity	10
Technical data	11

General notes



Read these original instructions and the enclosed safety instructions number

59562490 (issue 07/19 onward) before

using the device for the first time. Act in accordance with them.

Keep both books for future reference or for future owners.

- If the operating instructions and safety instructions are not observed, the device can be damaged and dangers could arise for users and other persons.
- Notify the dealer immediately in the case of shipping damage.
- Check the package contents when unpacking for missing accessories or for damage.

Environmental protection



The packing materials can be recycled. Please dispose of packaging in accordance with the environmental regulations.



Electrical and electronic appliances contain valuable, recyclable materials and often components such as batteries, rechargeable batteries or oil, which - if handled or disposed of incorrectly - can pose a potential threat to human health and the environment. However, these components are required for the correct operation of the appliance. Appliances marked by this symbol are not allowed to be disposed of together with the household rubbish.

Notes on the content materials (REACH)

Current information on content materials can be found at: www.kaercher.com/REACH

Intended use

- This vacuum cleaner is intended for the wet and dry cleaning of floor and wall surfaces.
- This device is suitable for vacuuming dry, non-flammable dusts that are harmful to health from machines and devices: dust class M as per EN 60335-2-69. Restrictions: No carcinogenic substances except for wood chips may be vacuumed.
- This device is suitable for commercial use, e.g. in hotels, schools, hospitals, factories, shops, offices, and rental companies.

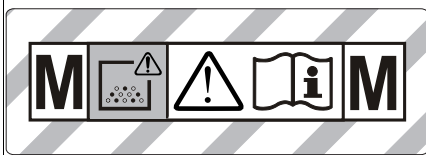
Description of the device

Illustration A

- ① Electrodes
- ② Suction hose port
- ③ Suction hose
- ④ Hose hook
- ⑤ Crevice nozzle
- ⑥ Air exit, working air
- ⑦ Suction head
- ⑧ Suction head lock
- ⑨ Recessed grip
- ⑩ Dirt receptacle
- ⑪ Steering roller
- ⑫ Handle
- ⑬ Air inlet, motor cooling air
- ⑭ Plugs
- ⑮ Floor nozzle
- ⑯ Suction pipe
- ⑰ Tool box end stop
- ⑱ Rubber sleeve, screwable
- ⑲ Fastening eyelet
- ⑳ Filter cover
- ㉑ Carrying handle
- ㉒ Suction control (variable)
- ㉓ Tool adapter
- ㉔ Hose cross section turn switch
- ㉕ Hose cross-section scale
- ㉖ Turn switch with suction output regulation
- ㉗ Remote automatic start - power tool
- ㉘ Socket
- ㉙ Floor nozzle holder
- ㉚ Suction pipe holder
- ㉛ Angle piece
- ㉜ Mains cable
- ㉝ Holder for bender
- ㉞ Filter frame
- ㉟ Flat fold filter (PES)
- ㊱ Filter dedusting
- ㊲ Type plate




Symbols on the device

Dust class



WARNING: This device contains dusts that are harmful to your health. Emptying and maintenance, including removal of the dust bag, may only be performed by appropriately trained personnel wearing suitable personal protective equipment. Do not switch on until the entire filter system has been installed and the volume flow control functionality has been checked.

Main filter elements

	Flat fold filter (PES)	
	Order number	6.907-662.0
	Flat fold filter (PTFE)	
	Order number	6.907-455.0
	Flat fold filter (PTFE H)	
	Order number	6.907-671.0
	Candle filter	
	Order number	2.414-000.0

Safety devices

Monitoring the main filter element

The device switches off automatically during operation without the main filter element.

Preparation

1. Unpack the device and install the accessories.
Illustration B

Initial startup

The device has 2 operating modes:

1. Industrial vacuum cleaner operation (power socket not used)
2. Dust removal operation (power socket used)

⚠ WARNING

Danger from dust that is harmful to your health
Respiratory sicknesses through inhalation of dust.
Do not vacuum without correctly installed filter elements, otherwise a danger to health from increased fine dust emission is present.

ATTENTION

Danger due to fine dust entering
Risk of damage to the suction motor.
Never remove the main filter element when vacuuming.

1. Connect the suction hose and attach a suction nozzle or connect to the dust generating device, depending on the operating mode.

Horn

Intermittent tone

The horn sounds (intermittent tone) when the air speed drops below 20 m/s.

Note

The horn reacts to a vacuum.

1. Set the turn switch to the correct hose cross-section.

Continuous tone

The horn sounds (continuous tone) when the cooling air filter is clogged.

1. Allow the device to cool down. Clean/replace the cooling air filter.

Anti-static system

Static charges are discharged through the earthed connection nozzles. This prevents sparking and electric shocks with electrically conducting accessories (included in the scope of delivery).

Dry vacuuming

- The device is fitted with a fleece filter bag with cap, order no. 2.889-155.0 (5 pieces).
- The device is equipped with a dust bag with cable ties, order no. 2.889-231.0 (10 pieces).

Note

All types of dust up to dust class M can be vacuumed with this device. The use of a dust collection bag (for order no. see filter systems) is required by law.

Note

The device is suitable for industrial extraction and a dust removal device for mobile operation for vacuuming dry, non-inflammable dusts with workplace limit values (AGW) greater than or equal to 0.1 mg/m³.

Installing the fleece filter bag

1. Unlock and remove the suction head.
2. Fit the fleece filter bag.

Illustration C

3. Fit and lock the suction head.

Installing the dust bag

1. Unlock and remove the suction head.
2. Insert the dust bag.

Illustration D

3. Pull the dust bag over the container. Ensure that the marking line is within the container and the ventilation hole is positioned on the back wall of the container.
4. Fit and lock the suction head.

Wet vacuum cleaning

⚠ DANGER

Danger from dust that is harmful to your health
Respiratory sicknesses through inhalation of dust.
No dusts harmful to health may be vacuumed when performing wet vacuum cleaning.

Note

The candle filter available as an accessory with the order number 2.414-000.0 is not suitable for wet vacuum cleaning.

Installing the squeegees

1. Remove the brush strip.
Illustration E
2. Install the squeegees.

Closing the suction connection

1. Fit a plug exactly into the suction connection.

Illustration F

2. Push the plugs in until they engage.

Removing the fleece filter bag

- The fleece filter bag must always be removed when vacuuming wet substances.

1. Unlock and remove the suction head.
2. Pull the fleece filter bag on the flange up and out.

Illustration G

3. Seal the fleece filter bag with cap.
4. Dispose of the used fleece filter bag in accordance with statutory regulations.
5. Fit and lock the suction head.

Removing the dust bag

- The dust bag must always be removed when vacuuming wet substances.

1. Unlock and remove the suction head.
2. Fold up the dust bag.

Illustration H

3. Take off the protective film and close the ventilation hole with a self-adhesive tab.
4. Seal the dust bag tightly underneath the opening using cable ties.
5. Remove the dust bag.
6. Clean the container inside with a moist cloth.
7. Dispose of the dust bag in accordance with statutory regulations.
8. Fit and lock the suction head.

General

- We recommend switching off the "Automatic filter dedusting" function when vacuuming wet dirt with the crevice nozzle or the upholstery nozzle (optional), or when sucking mainly water out of a container.
- The device switches off automatically when the maximum fluid level is reached.
- When vacuuming non-conductive liquids (e.g. drill emulsion, oils and grease) the device does not automatically switch off when the container is full. The filling level must be continuously monitored and the container emptied on a timely basis.
- On completion of wet vacuum cleaning: Clean the main filter element using the filter cleaning. Clean the electrodes with a brush. Clean the container with a moist cloth and dry it off.

Clip connection

The suction hose is equipped with a clip system. All accessory parts with a nominal width of 35 mm can be connected.

Illustration I

Operation

Turn switch

0 OFF	Device OFF
1 ON	<ul style="list-style-type: none"> • Device ON • Automatic filter dedusting: OFF • Adjust the suction performance (min-max)
2 TACT AUTO	<ul style="list-style-type: none"> • Device ON • Automatic filter dedusting: ON • Adjust the suction performance (min-max) (eco = energy-saving mode)

Switching on the device

1. Connect the mains plug.
2. Set the turn switch to the desired program.

Working with power tools

⚠ DANGER

Danger of electric shock

Risk of injury and damage.

The socket is only intended for direct connection of power tools to the vacuum cleaner. Any other use of the socket is prohibited.

1. Plug the mains plug of the power tool into the power socket on the vacuum cleaner.
2. Switch on the device at the turn switch.
3. Switch on automatic remote start: Press the left switch. The vacuum cleaner is automatically switched on and off with the power tool.
4. Switch off remote start automatic: Press the right switch.

Note

The vacuum cleaner has a startup delay of up to 0.5 seconds and an after-running time of up to 15 seconds.

Note

See the Technical data for the permissible power rating of the power tool.

5. Remove the angle piece from the suction hose.

Illustration J

6. Install the tool adapter on the suction hose.
7. Connect the tool adapter to the power tool.

Illustration K

8. Set the minimum volume flow on the turn switch for suction hose cross section. The scale shows the suction hose suction hose cross section.

Note

The different suction hose cross sections are necessary in order to adapt to the different connection cross sections of the processing machines.

Note

For operation as a dust removal device for mobile operation (processing machine plugged into the vacuum cleaner) the integrated monitoring system must be adjusted to suit the connected processing machine (dust generator). This means that the user must be warned when the flow rate drops below the minimum value 20 m/s needed for correct vacuuming.

Automatic filter dedusting

The device is equipped with a special filter dedusting function, which is particularly effective against fine dust. The main filter element is automatically cleaned every 7.5/15/60 seconds (depending on use) using an airflow (pulsing sound).

1. Set the turn switch to program 2 (TACT AUTO).
2. Power dedusting (for particularly severe contamination of the main filter element): Set the turn switch to program 2, seal the suction pipe or bender with your hand and wait for the automatic filter cleaning to finish (lasts 15 seconds).

Illustration L

Switching off the device

1. Switch off the device at the turn switch.
2. Pull out the mains plug.

Each time after use

1. Empty the container.
2. Vacuum off the inside and outside of the device and clean with a moist cloth.

Storing the device

1. Store the suction hose and mains cable as shown in the illustration.
2. Store the device in a dry room and secure it against unauthorised use.

Illustration M

Transport

⚠ CAUTION

Failure to observe the weight

Risk of injury and damage

Be aware of the weight of the device during transportation.

1. Close the suction connection, see wet vacuum cleaning.
2. Remove the suction hose with floor nozzle from the support. Carry the device by the carrying handle and suction pipe.
3. When transporting the device in vehicles, secure it to prevent it from slipping or overturning in accordance with the respective valid guidelines.

Storage

⚠ CAUTION

Failure to observe the weight

Risk of injury and damage

Be aware of the weight of the device during storage.

The device may only be operated indoors.

Care and service

⚠ DANGER

Danger of electric shock

Injuries due to touching live parts

Switch off the device.

Remove the mains plug.

Dust extraction machines are safety devices for the prevention or elimination of hazards according to the German DGVV regulation 1 (German accident prevention regulation, principles of prevention).

ATTENTION

Care agents containing silicone

These can attach plastic components.

Do not use care agents containing silicone for cleaning.

- You can perform basic maintenance and care work yourself.
- Clean the surface of the device and the interior of the container regularly with a moist cloth.

Main filter element

Replacing the flat fold filter

1. Open the filter cover.
 2. Remove the filter frame.
- ### Illustration N
3. Remove the flat fold filter.
 4. Dispose of the used flat fold filter in accordance with statutory regulations.
 5. Remove any dirt deposits from the clean air side.
 6. Clean the filter frame and the supporting surface of the filter frame with a damp cloth.
 7. Fit the new flat fold filter. During insertion, ensure that the flat fold filter is flush on all sides.
 8. Insert the filter frame.
 9. Close the filter cover until it audibly latches into place.

Change the candle filter

1. Open the filter cover.
 2. Take out the candle filter (special accessories).
- ### Illustration O
3. Dispose of the used candle filter (special accessories) in accordance with statutory regulations.
 4. Remove any dirt deposits from the clean air side.
 5. Clean the candle filter frame with a damp cloth.
 6. Insert the new candle filter (special accessories).
 7. Close the filter cover until it audibly latches into place.

Changing the fleece filter bag

1. Close the suction connection, see wet vacuum cleaning.
- ### Illustration F
2. Unlock and remove the suction head.
 3. Pull the fleece filter bag on the flange up and out.
- ### Illustration G
4. Seal the fleece filter bag with cap.
 5. Dispose of the used fleece filter bag in accordance with statutory regulations.
 6. Fit the new fleece filter bag.
 7. Fit and lock the suction head.

Changing the dust bag

1. Close the suction connection, see wet vacuum cleaning.
- ### Illustration F
2. Unlock and remove the suction head.
 3. Fold up the dust bag.
- ### Illustration H
4. Take off the protective film and close the ventilation hole with a self-adhesive tab.
 5. Seal the dust bag tightly underneath the opening using cable ties.
 6. Remove the dust bag.
 7. Clean the container inside with a moist cloth.
 8. Dispose of the dust bag in accordance with statutory regulations.
 9. Fit the new dust bag.
- ### Illustration D
10. Pull the dust bag over the container. Ensure that the marking line is within the container and the ventilation hole is positioned on the back wall of the container.
 11. Fit and lock the suction head.

Cleaning/replacing the cooling air filter

1. Allow the appliance to cool down.
 2. Unlock the cooling air flaps with a screwdriver and fold them out.
- ### Illustration P
3. Clean (vacuum, wash) or replace the cooling air filter.
 4. Fold the cooling air flaps in and latch it into place.

Cleaning the electrodes

1. Unlock and remove the suction head.
2. Clean the electrodes with a brush.
3. Fit and lock the suction head.

Troubleshooting guide

⚠ DANGER

Danger of electric shock

Injuries due to touching live parts

Switch off the device.

Remove the mains plug.

Note

The device must be switched off immediately if a malfunction occurs (e.g. filter breakage). The malfunction must be eliminated before switching the device on again.

Suction turbine does not start up

1. Check the socket and the power supply fuse.
2. Check the mains cable, mains plug, electrodes and power socket on the device.
3. Switch on the device.

Suction turbine switches off

1. Empty the container.
2. Insert the main filter element.

Suction turbine does not switch on again after emptying the container

1. Switch off the device and wait for 5 seconds. Switch on the device.
2. Clean the electrodes with a brush.

Suction power decreases

1. Remove any blockages from the suction nozzle, suction pipe, suction hose or main filter element.
2. Change the filled fleece filter bag.
3. Dispose of the filled dust bag.
4. Correctly engage the filter cover.
5. Change the main filter element.

Escaping dust when vacuuming

1. Only with flat fold filters: Check that the flat fold filter is correctly fitted and correct if necessary.

Illustration Q

2. Change the main filter element.

The automatic switch-off mechanism (wet vacuum cleaning) does not trigger

1. Clean the electrodes with a brush.
2. Continuously monitor the filling level when vacuuming non-conductive liquids.

Horn sounds - intermittent tone

1. Set the turn switch to the correct hose cross-section.
2. The fleece filter bag must be replaced when it is full and the air flow drops below the specified minimum flow rate.
3. The dust bag must be replaced when it is full and the air flow drops below the specified minimum flow rate.
4. Change the main filter element.

Horn sounds - continuous tone

1. Allow the device to cool down. Clean/replace the cooling air filter.

Automatic filter dedusting not working

1. Suction hose not connected.

The automatic filter dedusting function cannot be switched off

1. Contact Customer Service.

The automatic filter dedusting function cannot be switched on

1. Contact Customer Service.

Customer Service department

If the malfunction cannot be corrected, the device must be checked by the Customer Service department.

Disposal

At the end of its service life, the device is to be disposed of in accordance with statutory regulations.

Warranty

The warranty conditions issued by our relevant sales company apply in all countries. We shall remedy possible malfunctions on your appliance within the warranty period free of cost, provided that a material or manufacturing defect is the cause. In a warranty case, please contact your dealer (with the purchase receipt) or the next authorised customer service site. (See overleaf for the address)

Accessories and spare parts

Only use original accessories and original spare parts. They ensure that the appliance will run fault-free and safely.

Information on accessories and spare parts can be found at www.kaercher.com.

Declaration of Conformity

EU Declaration of Conformity

We hereby declare that the machine described below complies with the relevant basic safety and health requirements in the EU Directives, both in its basic design and construction as well as in the version placed in circulation by us. This declaration is invalidated by any changes made to the machine that are not approved by us.

Product: Wet/dry vacuum cleaner

Type: 1.148-xxx

Currently applicable EU Directives

2006/42/EC (+2009/127/EC)

2011/65/EU

2014/30/EU

Harmonised standards used

EN IEC 63000: 2018

EN 55014-1: 2017 + A11: 2020

EN 55014-2: 2015

EN 60335-1

EN 60335-2-69

EN 61000-3-2: 2014

EN 61000-3-3: 2013

EN 62233: 2008

National standards used

-

The undersigned act on behalf and under the power of attorney of the company management.



H. Jenner

Chairman of the Board of Management



S. Reiser

Director Regulatory Affairs & Certification

Documentation supervisor:

S. Reiser

Alfred Kärcher SE & Co. KG

Alfred-Kärcher-Str. 28 - 40

71364 Winnenden (Germany)

Ph.: +49 7195 14-0

Fax: +49 7195 14-2212

Winnenden, 2020/10/01

Declaration of Conformity (UK)

We hereby declare that the product described below complies with the relevant provisions of the following UK Regulations, both in its basic design and construction as well as in the version put into circulation by us. This declaration shall cease to be valid if the product is modified without our prior approval.

Product: Wet/dry vacuum cleaner
Type: 1.148-xxx

Currently applicable UK Regulations

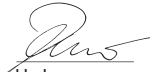
S.I. 2008/1597 (as amended)
S.I. 2012/3032 (as amended)
S.I. 2016/1091 (as amended)

Designated standards used

EN IEC 63000: 2018
EN 55014-1: 2017 + A11: 2020
EN 55014-2: 2015
EN 60335-1
EN 60335-2-69
EN 61000-3-2: 2014
EN 61000-3-3: 2013
EN 62233: 2008

National standards used

-
The undersigned act on behalf and under the power of attorney of the company management.



H. Jenner
Chairman of the Board of Management



S. Reiser
Director Regulatory Affairs & Certification

Documentation supervisor:

S. Reiser
Alfred Kärcher SE & Co. KG
Alfred-Kärcher-Str. 28 - 40
71364 Winnenden (Germany)
Ph.: +49 7195 14-0
Fax: +49 7195 14-2212
Winnenden, 2020/10/01

Technical data

**NT 40/1
Tact Te
M**

Electrical connection

Mains voltage	V	110
Phase	~	1
Power frequency	Hz	50-60
Degree of protection		IPX4
Protection class		I
Nominal power	W	1100
Power rating of the device socket (GB)	W	100-1600

Device performance data

Tank content	l	39
Filling quantity	l	24
Air quantity (max.) with suction hose diameter 35 mm and length 4.0 m	m ³ /h (l/s)	130 (36)
Depression (max.) with suction hose diameter 35 mm and length 4.0 m	kPa (mbar)	19,0 (190)
Air quantity (max., suction motor)	m ³ /h (l/s)	256 (71)
Vacuum (max., suction motor)	kPa (mbar)	24,2 (242)

Dimensions and weights

Typical operating weight	kg	15,4
Length x width x height	mm	560 x 370 x 655
Filter area of the flat fold filter	m ²	0,6
Candle filter area	m ²	0,2
Diameter of the suction hose	mm	21 / 27 / 32 / 35 / 40
Length of the suction hose	m	4,0 / 5,0

Determined values in acc. with EN 60335-2-69






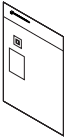
Sound pressure level L _{pA}	dB(A)	67
Uncertainty K _{pA}	dB(A)	2
Hand-arm vibration value	m/s ²	<2,5
Uncertainty K	m/s ²	0,2

Mains cable

Power cord type	mm ²	A07 QQ-F 3xAWG 12
Part number (GB)		6.649-507.0
Cable length	m	7,5

Subject to technical modifications.

Filtersysteme / Filter Systems / Système de filtres

						
	Flachfaltenfilter (PES) * Flat pleated filter (PES) * Filtre plat à plis (PES) *	Flachfaltenfilter (PTFE) * Flat pleated filter (PTFE) * Filtre plat à plis (PTFE) *	Flachfaltenfilter (PTFE H) ** Flat pleated filter (PTFE H) ** Filtre plat à plis (PTFE H) **	Kerzenfilter * Candle filter * Filtre à bougie *	Vliesfiltertüte, 3-lagig * Fleece filter bag, triple layered * Sachet filtre en tissu non tissé à 3 épaisseurs *	Entsorgungsbeutel Disposal bag Sachet d'élimination
Bestellnummer Order No. Numéro de référence	6.907-662.0	6.907-455.0	6.907-671.0	2.414-000.0	2.889-155.0	2.889-231.0
Menge Quantity Quantité	1	1	1	1	5	10
Normalstäube Normal dust Poussières normales	x	x	x	x	x	x
Feinstäube Fine dust Poussières fines	x	x	x	x	x	x
Abrasive Stäube Abrasive dust Poussières abrasives	x	x	x	x	x	x
Flüssigkeiten, nasser Schmutz Liquids, wet dirt Liquides, saletés humides	x	x	x			

* Staubklasse M, Rückhaltevermögen ≥ 99,9 %

* Dust class M, Retention ≥ 99,9 %

* Classe de poussière M, Conservation ≥ 99,9 %

** Staubklasse H, Rückhaltevermögen ≥ 99,995 %

** Dust class H, Retention ≥ 99,995 %

** Classe de poussière H, Conservation ≥ 99,995 %



THANK YOU!
MERCI! DANKE! ¡GRACIAS!



Registrieren Sie Ihr Produkt und profitieren Sie von vielen Vorteilen.

Register your product and benefit from many advantages.

Enregistrez votre produit et bénéficiez de nombreux avantages.

Registre su producto y aproveche de muchas ventajas.

www.kaercher.com/welcome



Bewerten Sie Ihr Produkt und sagen Sie uns Ihre Meinung.

Rate your product and tell us your opinion.

Évaluer votre produit et dites-nous votre opinion.

Reseñe su producto y díganos su opinión.



www.kaercher.com/dealersearch

Alfred Kärcher SE & Co. KG
Alfred-Kärcher-Str. 28-40
71364 Winnenden (Germany)
Tel.: +49 7195 14-0
Fax: +49 7195 14-2212

