

CVS 65/1 Bp Pack

English	2
Français	10
Español	20



**Register
your product**
www.kaercher.com/welcome



Contents

IMPORTANT SAFETY INSTRUCTIONS	2
OPERATING SAFETY RULES AND PRACTICES	2
MAINTENANCE AND REBUILD PRACTICES	3
FIRE SAFETY STANDARD	3
General notes	3
Intended use	4
Function	4
Description of the unit	5
Initial startup	6
Operation	6
Transport.....	7
Storage	7
Care and service.....	7
Troubleshooting guide	9
Accessories/spare parts.....	10
Technical data.....	10

IMPORTANT SAFETY INSTRUCTIONS

READ ALL INSTRUCTIONS BEFORE USING THIS APPLIANCE

⚠ **WARNING**

To reduce the risk of fire, electric shock, or injury:

DO NOT LEAVE appliance unattended when plugged in. **Unplug from outlet when not in use and before servicing.**

⚠ **WARNING**

TO REDUCE THE RISK OF ELECTRIC SHOCK-USE IN-DOORS ONLY

- Do not allow to be used as a toy. Close attention is necessary when used by or near children.
- Use only as described in this manual. Use only manufacturer's recommended attachments.
- Do not use with damaged cord or plug. If the unit is not working as it should, has been dropped, damaged, left outdoors, or dropped into water, return it to a service center.
- Do not pull or carry by the cord, do not use cord as a handle, do not close a door on the cord, or pull cord around sharp edges or corners. Do not run appliance over cord. Keep cord away from heated surfaces.
- **DO NOT UNPLUG BY PULLING CORD.** To unplug, grasp plug, not cord.
- Do not handle plug or appliance with wet hands.
- Do not put any objects into openings. Do not use if openings are blocked; keep free of dust, lint, hair, and anything that may reduce air flow.
- **KEEP HAIR, CLOTHING, LOOSE JEWELRY, FINGERS** and all parts of the body away from openings and moving parts.
- Turn off all controls before unplugging.
- Use extra care when cleaning on stairs.
- Do not use to pick up flammable or combustible liquids, such as gasoline, or use in areas where they may be present.
- Connect to a properly grounded outlet only. See Grounding Instructions.
- Always disconnect cord from electrical outlet before servicing appliance.
- Never sweep off explosive liquids, combustible gases or undiluted acids and solvents. This includes petrol, paint thinner or heating oil which can generate explosive fumes or mixtures upon contact with the air. Acetone, undiluted acids and solvents must also be avoided as they can harm the materials on the machine.
- Do not vacuum up burning or smoldering objects!

GROUNDING INSTRUCTIONS

This device must be grounded. If it should malfunction or break down, grounding provides a path of least resistance for electric current to reduce the risk of electric shock.

This device is equipped with a cord having an equipment grounding conductor and ground plug.

The plug must be plugged into an appropriate outlet that is properly installed and grounded in accordance with all local codes and ordinances.

⚠ **DANGER**

Improper connection of the equipment grounding conductor can result in a risk of electrocution.

Check with a qualified electrician or service personnel if you are in doubt as to whether the outlet is properly grounded.

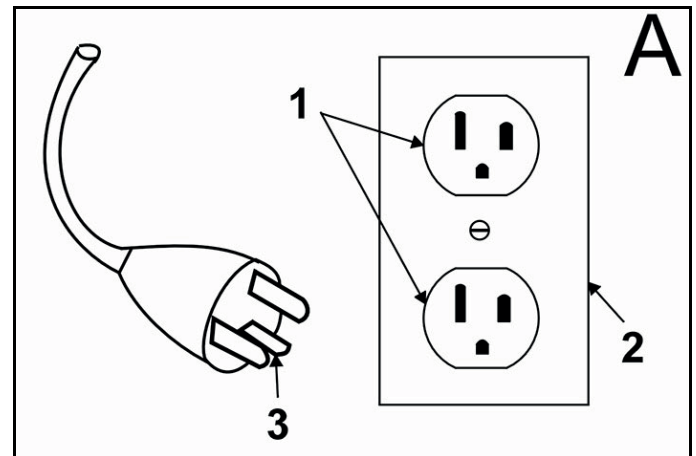
Do not modify the plug provided with the product - if it will not fit the outlet, have a proper outlet installed by a qualified electrician. Do not use any type of adapter with this product.

This appliance is for use on a nominal 120-volt circuit and has a grounding attachment plug that looks like the plug illustrated in sketch picture A.

Make sure that the appliance is connected to an outlet having the same configuration as the plug.

No adaptor should be used with this appliance.

CONNECT TO A PROPERLY GROUNDED OUTLET ONLY



- ① Grounded outlet
- ② Grounded outlet box
- ③ Grounded pin

OPERATING SAFETY RULES AND PRACTICES

Owner/User Responsibility

The owner and/or user must have an understanding of the manufacturer's operating instructions and warnings before using this device.

Warning information should be emphasized and understood.

If the operator is not fluent in English, the manufacturer's instructions and warnings shall be read to and discussed with the operator in the operator's native language by the purchaser/ owner, making sure that the operator comprehends its contents.

Owner and/or user must study and maintain for future reference the manufacturers' instructions.

General

Before starting operation, the device must be in the operating position.

Do not start or operate the device, any of its functions or attachments, from any place other than from the designated operator's position.

Before leaving the operator's position:

- 1 bring the device to a complete stop;
- 2 if the device must be on an incline, block the wheels.

Maintain a safe distance from the edge of ramps, platforms, and other similar working surfaces.

Do not add to, or modify the device.

Do not block access to fire aisles, stairways or fire equipment.

Traveling

Yield the right of way to pedestrians and emergency vehicles such as ambulances and fire trucks.

Cross railroad tracks at an angle wherever possible. Do not park closer than 6 ft (1800 mm) to the nearest rail of a railroad track. Keep a clear view of the path of travel and observe for other traffic, personnel, and safe clearances.

Under all travel conditions, operate the device at a speed that will permit it to be brought to a stop in a safe manner.

Do not indulge in stunt driving or horseplay.

Slow down for wet and slippery floors. Before driving over a dockboard or bridge plate, be sure that it is properly secured. Drive carefully and slowly across the dockboard or bridge plate, and never exceed its rated capacity.

When negotiating turns, reduce speed to a safe level consistent with the operating environment. Make the turns smoothly.

Operator care of the device

If the device is found to be in need of repair or in any way unsafe, or contributes to an unsafe condition, the matter shall be reported immediately to the user's designated authority, and the device shall not be operated until it has been restored to safe operating condition.

If during operation the device becomes unsafe in any way, the matter shall be reported immediately to the user's designated authority, and the device shall not be operated until it has been restored to safe operating condition.

Do not make repairs or adjustments unless specifically authorized to do so.

MAINTENANCE AND REBUILD PRACTICES

Operation of the device may be hazardous if maintenance is neglected or repairs, rebuilds, or adjustments are not performed in accordance with the manufacturer's design criteria. Therefore, maintenance facilities (on or off premises), trained personnel, and detailed procedures shall be provided.

Maintenance and inspection of the device shall be performed in conformance with the following practices:

- 1 a scheduled planned maintenance, lubrication, and inspection system shall be followed; consult the manufacturer's recommendations.
- 2 Only trained and authorized persons shall be permitted to operate a powered floor scrubber. Operators of powered floor scrubbers shall be qualified as to visual, auditory, physical, and mental ability to operate the equipment safely.

Avoid fire hazards and have fire protection equipment present in the work area. Do not use open pans of fuel or flammable cleaning fluids for cleaning parts.

FIRE SAFETY STANDARD

Any device not in safe operating condition shall be removed from service.

Repairs shall not be made in Class I, Class II, and Class III locations.

Fire Prevention. The device shall be kept in a clean condition and reasonably free of lint, excess oil, and grease.

Noncombustible agents are preferred for cleaning the device. Flammable liquids [those having flash points at or above 100°F (37,8°C)] are not allowed. Precautions regarding toxicity, ventilation, and fire hazard shall be appropriate for the agent or solvent used.

Nameplate Visibility. The device type designations as shown on the nameplate and the type markers shall not be covered over with paint so that their identification information is obscured.

General notes



Read these original instructions and the safety instructions chapter before using the device for the first time. Proceed accordingly.

Keep these for future reference or for future owners.

Check delivery

When handing over the vehicle, please report any defects and shipping damage to your dealer or sales outlet immediately.

Environmental protection



The packing materials can be recycled. Please dispose of packaging in accordance with the environmental regulations.

Electrical and electronic appliances / devices contain valuable, recyclable materials and often components such as batteries, rechargeable batteries or oil, which - if handled or disposed of incorrectly - can pose a potential threat to human health and the environment. However, these components are required for the correct operation of the appliance / device. Appliances / devices marked by this symbol are not allowed to be disposed of together with the household trash.

Notes on the content materials (REACH)

Current information on content materials can be found at: www.kaercher.de/REACH

Warranty

The warranty conditions issued by our relevant sales company apply in all countries. We shall remedy possible malfunctions on your appliance within the warranty period free of cost, provided that a material or manufacturing flaw is the cause. In a warranty case, please contact your dealer (with the purchase receipt) or the next authorized customer service site. (See overleaf for the address)

Accessories and spare parts

Only use original accessories and original spare parts. They ensure that the appliance will run fault-free and safely. Information on accessories and spare parts can be found at www.kaercher.com.

Hazard levels

⚠ DANGER

- Indication of an imminent threat of danger that will lead to severe injuries or even death.

⚠ WARNING

- Indication of a potentially dangerous situation that may lead to severe injuries or even death.









⚠ CAUTION

- Indication of a potentially dangerous situation that may lead to minor injuries.

ATTENTION

- Indication of a potentially dangerous situation that may lead to damage to property.

Symbols on the device

	⚠ DANGER Risk of burns from hot surfaces Allow the device to cool sufficiently before working on it or opening the covers.
	⚠ DANGER Risk of injury and crushing due to moving machine parts and rotating drive belts. Wait until all parts of the device have come to a complete standstill before opening the cover and do not reach into the inside of the device during operation.
	Display of contact pressure of roller brush (roller mirror)
	Roller brush lifting
	Roller brush lowering
	Side brush lowering
	Side brush lifting
	The device is supplied with a flat fold filter made of polyester fleece with PTFE coating (dust class M).

Intended use

This battery-powered device is a sweeper for cleaning carpets and various indoor textile floors. It has an anti-static roller brush and a built-in dust filter.

This device is intended for dry use only.

The sweeper is intended for commercial use.

Only use the sweeper in accordance with the information in these operating instructions. All uses other than this shall be regarded as not being in accordance with its intended use. The manufacturer is not responsible for any resultant damage; The risk for this is borne by the user alone.

No modifications may be made to the sweeper.

Only the surfaces approved by the company or its representatives may be driven on and cleaned.

Foreseeable misuse

This device is only intended for dry use and must not be used or placed outdoors in damp conditions.

The device is not intended to be used on inclines.

Never sweep or vacuum up explosive liquids, gases, undiluted acids and solvents (e.g. petrol, paint thinner, heating oil), they form explosive vapors or mixtures in combination with the suction air.

Never sweep or vacuum acetone, undiluted acids and solvents as they attack and damage the materials used on the device.

Never sweep or vacuum reactive metal dusts (e.g. aluminum, magnesium, zinc), they form explosive gases in combination with strong alkaline or acidic detergents.

Do not sweep or vacuum any burning or smoldering objects, as there is a risk of fire.

Do not sweep up any substances that pose a health risk.

Staying in hazard zones is prohibited. Operation in potentially explosive areas is prohibited.

Pushing/pulling or transporting objects is not permitted with this device.

Suitable surfaces for sweeping

Large textile areas e.g. in:

- Offices
- Hotels
- Shops
- Casinos
- Airports
- Tennis halls
- Exhibition halls

Function

The sweeper works on the throw-over principle.

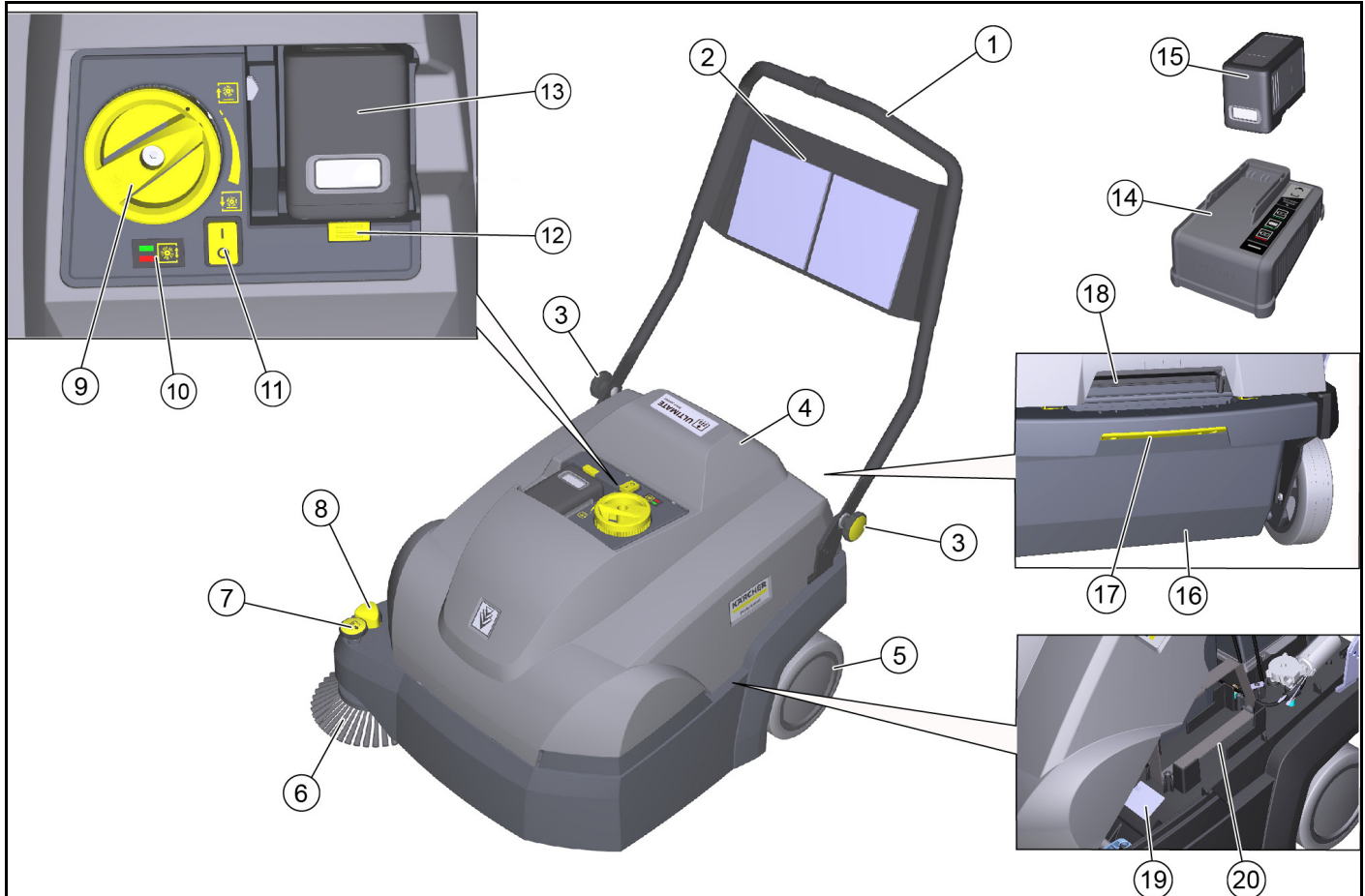
1. The rotating side brushes cleans corners and edges of the sweeping surface and transports the swept material into the path of the roller brush.
2. The rotating roller brush transports the swept material directly into the waste container.
3. The swirled-up dust in the waste container is separated by a dust filter and a pre-filter, and the blower extracts the filtered clean air.
4. Cleaning of the pre-filter takes place automatically after a set time when the device is switched on and during work.
5. The protruding rear wheels make it convenient to transport on stairs.
6. The collected dirt is transported to the waste container. The waste container can be optionally equipped with a dust bag.

Description of the unit

• CVS 65/1 Bp Pack (1.517-302.0)

Battery and charger included in scope of delivery

Device illustration



- ① Push handle
- ② Storage net (not for replacement battery)
- ③ Star screws for push handle adjustment (2x)
- ④ Cover
- ⑤ Rear wheel (2x)
- ⑥ Side brush, right
- ⑦ Side brush adjustment
 - Adjusting the contact pressure
 - Raise the side brush
- ⑧ Lowering of side brush
- ⑨ Adjustment of contact pressure of roller brush (roller mirror)
- ⑩ Display of contact pressure of roller brush
 - LED does not light up: Lower the roller brush further
 - LED green: correct adjustment
 - LED red: Raise the roller brush
- ⑪ On/Off switch
- ⑫ Unlocking the battery
- ⑬ Battery compartment
- ⑭ "Battery Power +" charger
- ⑮ Battery "Battery Power+ 36/75"
- ⑯ Waste container, removable
 - A dust bag (option) can be inserted into the waste container.
- ⑰ Unlocking the waste container
- ⑱ Recessed grip of cover
- ⑲ Type plate
- ⑳ Compartment for replacement battery (with retaining strap)

Safety devices

Safety devices protect the user and may not be taken out of operation or functionally circumvented.

Adhere to the safety instructions in the chapters!

Cover switch

The cover switch prevents the device from starting when the device cover is open.

On/Off switch

The On/Off switch prevents the device from starting up unintentionally. Switch off the On/Off switch when switching off the device or in the event of danger.

Electronics

If the roller brush is overloaded, the electronics switch off the device and the LED flashes.

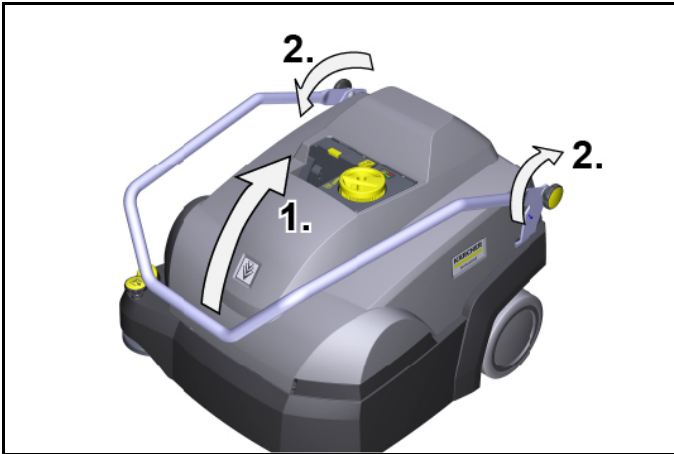
In this case, switch off the device using the On/Off switch, and before switching it on again, turn the roller brush all the way up using the contact pressure adjustment.

Initial startup

Adjusting the push handle

Note

When the device is delivered, the push handle is folded down. It can be adjusted to 3 different heights for work.



1. Fold the push handle up into the desired position. Make sure that the grooves engage correctly in the bolts (fixation).
2. Tighten the star screws hand-tight.

Opening/closing the cover

⚠ CAUTION

Danger of crushing if your fingers are jammed

To open and close the device cover, only grasp the recessed grip provided.

ATTENTION

Risk of burns from the hot drive motor

The drive motor can get hot during operation. Do not touch hot surfaces. Pay attention to the warning symbols.

Note

It is necessary to open the cover:

- for service and cleaning work
- for changing/cleaning the dust filter and pre-filter
- for storing a replacement battery.

1. Open the cover: Grab the cover by the recessed grip and slowly swivel it all the way forward. A strap holds the cover.
2. Closing the cover: Slowly swivel the cover back.

Mount the side brush

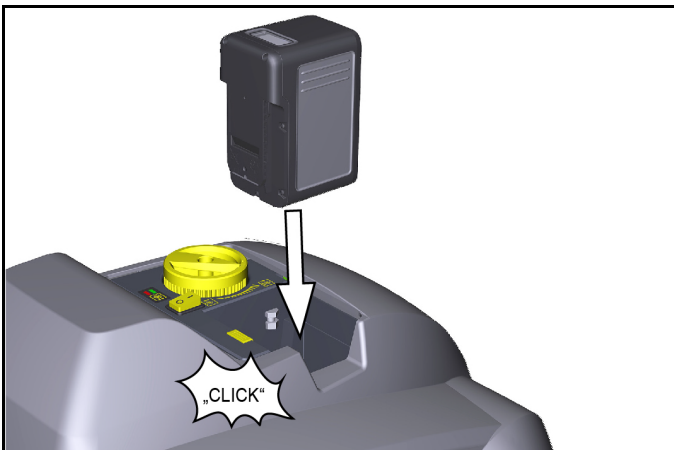
The side brush is supplied with the device and must be attached to the device before initial startup.

See chapter "Changing the side brush".

Charge/insert battery

Charge the battery before initial startup.

A description of this can be found in the separate operating instructions for the battery and charger.

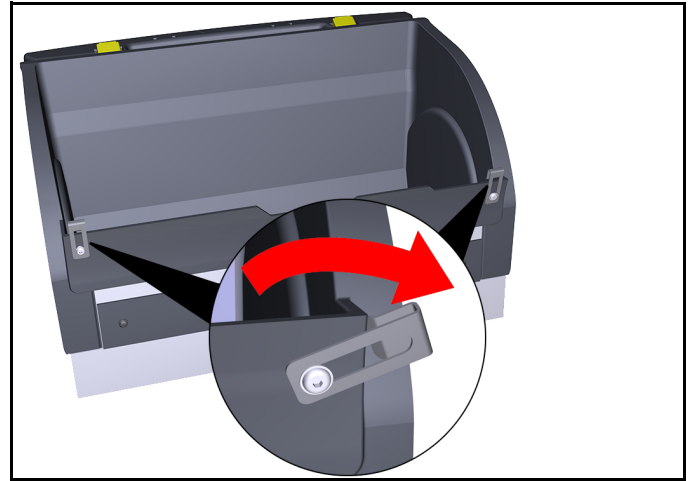


- 1 Insert the charged battery into the battery holder, slide it in as far as it will go and click into place.

Dust bag (option)

A dust bag can be inserted into the waste container for easy and safe disposal of the waste.

1. Operate the lock of the waste container (pull it backwards).
2. Tilt the waste container backwards and pull it out.
3. Fold the fastening clamps on the front of the waste container outward.



4. Place the dust bag in the waste container and put it over the edge.



5. Close the fastening clamp again.
6. Insert the waste container and push it all the way to the front.
7. Check whether the waste container is engaged.

Operation

Notes on sweeping operations

⚠ CAUTION

Risk of damage

Carry out cleaning work in the forward direction of travel.

Do not carry out any cleaning work with the waste container removed.

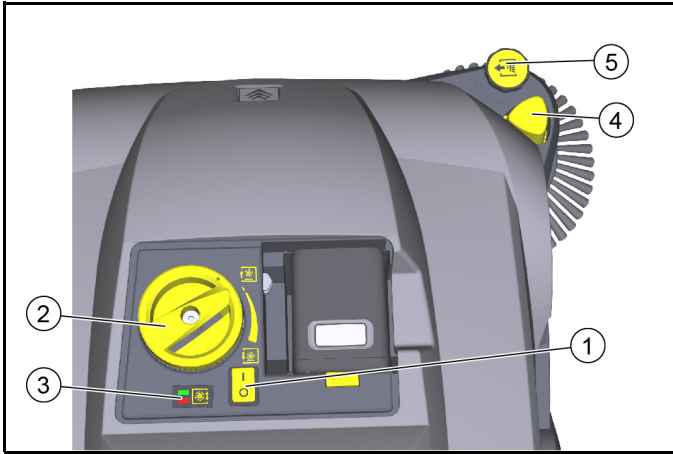
Do not let the device run in place with the roller brush switched on.

Do not sweep in packing tape, string or the like (damage to the sweeping mechanism).

Note

Adjust the sweeping speed to the conditions in order to get an optimal cleaning result.

Sweeping with a roller brush and side brush

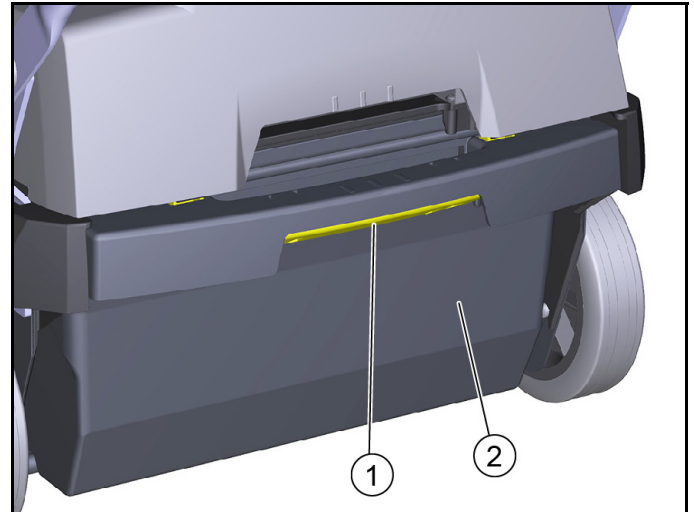


- ① On/Off switch
 - ② Adjusting the contact pressure of the roller brush (twist grip)
 - ③ Roller brush contact pressure display
 - LED does not light up: Lower the roller brush further
 - Green LED: correct adjustment
 - Red LED: Raise the roller brush
 - ④ Lower side brush
 - ⑤ Side brush adjustment
 - Adjust contact pressure
 - Raise side brush
1. Switch on the device with the On/Off switch (position I).
 - a Roller brush and side brush rotate.
 2. Push the device forward on the push handle and start cleaning. Use the roller brush contact pressure adjustment in accordance with the textile pile.
 - a To adjust, lift the twist grip, then turn.
 - b The correct contact pressure is indicated by a green LED.
 3. For cleaning close to the edge, lower the side brush by pressing the side brush lowering button.
 - a If necessary, use the side brush adjustment and set the contact pressure.
 4. To pick up larger objects (20 mm), push the push handle down a little so the roller brush can move the objects into the waste container.
 5. An automatic cleaning of the pre-filter ensures continuous work.
 6. Always recharge the battery in good time.
 - a During the sweeping operation, the display in the battery shows the remaining time in minutes.
 - b When the device is switched off, the battery charge is displayed in %.

Stop and turn off the device

1. To finish the work, switch off the device with the On/Off switch (position 0).
2. Park the device on a level surface.
3. Lift the twist grip of the roller brush and turn it counterclockwise all the way up.
4. Pull the lowered side brush up using the adjustment. The side brush locks into place.
5. Empty the waste container.
6. Clean the dust filter and pre-filter.
7. Charge the battery.

Emptying the waste container



- ① Waste container lock
 - ② Waste container
1. Operate the lock of the waste container (pull it backwards).
 2. Tilt the waste container backwards and pull it out.
 3. Empty the waste container or remove the dust bag (option).
 4. Insert the waste container and push it all the way to the front.
 - If necessary, insert the dust bag (option) beforehand as described in the Chapter "Dust bag (option)".
 5. Check whether the waste container is engaged.

Transport

⚠ CAUTION

Risk of injury and damage

Be aware of the weight of the device during transportation.

1. Switch off the device with the "ON/OFF switch".
2. Lift the twist grip of the roller brush and turn it counterclockwise all the way up.
3. Secure the device to the wheels with wedges.
4. Secure the device with ropes or tension straps.
 - a At the front of the frame under the cover.
 - b At the rear in the push handle attachment area.
5. Secure the device in accordance with the respectively applicable guidelines to prevent it from slipping or overturning when in transport.

Storage

⚠ WARNING

Risk of injury and damage

Be aware of the weight of the device.

1. Park the device in a sheltered, level and dry place.
2. Remove the battery.
 - a Observe the notes in the operating instructions for storing the battery.
3. Clean the inside and outside of the device.
4. Lift the twist grip of the roller brush and turn it counterclockwise all the way up.

Care and service

General notes

⚠ DANGER

Risk of accident and injury from unintentional movement of the device

Switch off the device and unplug the battery before starting any care or maintenance work.

Cleaning the device

⚠ CAUTION

Short circuit hazard from water stream

Do not clean the device with a hose or high pressure water jet.

⚠ DANGER

Health risk from dust

Wear a dust mask and safety goggles when cleaning with compressed air.

ATTENTION

Risk of damage to the surfaces

Do not use any abrasive or aggressive detergents for cleaning.

1. Blow out the inside of the device with compressed air.
2. Clean the interior and exterior of the device using a damp cloth, wetted with a mild washing lye.

Maintenance intervals

Maintenance by the customer

Note

All service and maintenance work must be carried out by qualified staff; if necessary, a Kärcher specialist dealer can be called in at any time.

- Daily maintenance
 - 1 Check roller brush and side brush for wrapped straps.
 - 2 Check the function of all control elements.
- Weekly maintenance
 - 1 Check moving parts for ease of movement.
 - 2 Check sealing strips in the sweeping area for adjustment and wear.
 - 3 Check the roller brush and side brush for wear.
 - 4 Check the filter box, clean the pre-filter if necessary.
 - 5 Check dust filter, clean if necessary (depending on frequency of use, approx. every 10 hours).
- Monthly maintenance
 - 1 Remove the roller brush and remove dirt from the drive pin (see chapter "Checking / changing the roller brush")
- Maintenance after wear and tear
 - 1 Adjust or change sealing strips.
 - 2 Change the roller brush.
 - 3 Change the side brush.

Note

For descriptions, see chapter "Maintenance work".

Maintenance by customer service

Note

In order to maintain warranty claims, all service and maintenance work must be carried out by the authorized customer service during the warranty period.

- 1 Have maintenance work carried out in accordance with the inspection checklist.

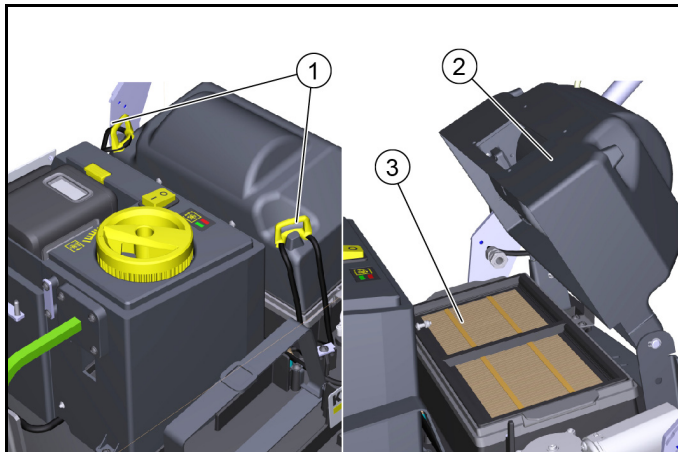
Maintenance work

Cleaning/changing the dust filter

⚠ DANGER

Health risk due to dust

Wear a dust mask and safety goggles when working on the filter unit.

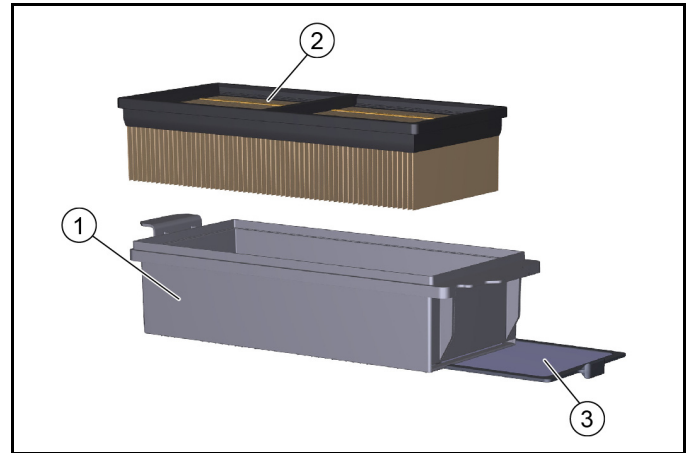


① Locks (2x)

② Lid of filter casing

③ Filter box

1. Switch off the device and turn it off at the ON/OFF switch.
2. Open the cover.
3. Open the locks.
4. Swivel the lid upwards.
5. Remove the filter box with the dust filter facing upwards.



① Filter box

② Dust filter

③ Pre-filter, removable

6. Check the dust filter and pre-filter.
 - a To clean, vacuum the dust filter or tap it out together with the filter box (do not wash it out).
 - b Pull out the pre-filter and clean it.
7. Check and clean the filter wiper.
8. If damaged or highly contaminated, insert a new dust filter or pre-filter in the filter box.
9. Observe the installation direction of the filter box during installation.

Change the side brush

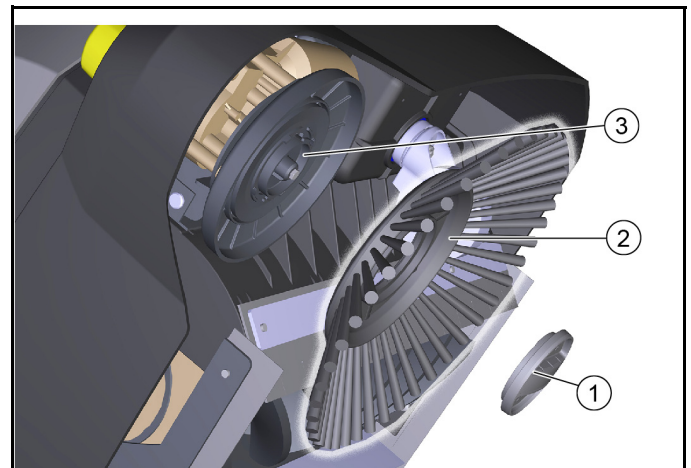
Changing the side brush is described for when the device is tilted.

ATTENTION

Risk of injury and damage

Before tilting the device, remove the battery and the sweep container.

Secure the tilted device before changing the side brush.



① lock

② Side brush

③ Mount

1. Remove the waste container.
2. Remove the battery.
3. Tilt the device backwards and secure it against tipping down.
4. Unscrew the lock on the underside.
 - a To open: turn counterclockwise
 - b To close: turn clockwise

5. Remove the side brush.
6. Clean the mount if necessary.
7. Place the new side brush on the mount and secure it with a lock.

Checking/changing the roller brush

Check and change the roller brush with the device tilted.

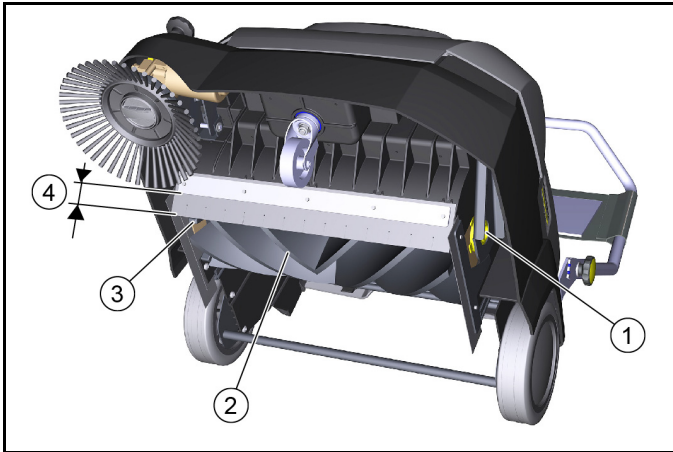
ATTENTION

Risk of injury and damage

Remove the battery and the sweep container before tilting the device.

Secure the tilted device before changing the roller brush.

When inserting the new roller brush, make sure that no bristles are jammed in the hole of the roller brush rocker.

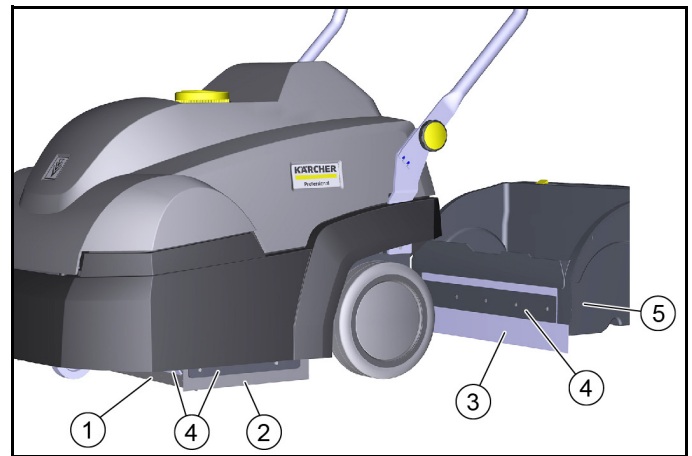


- ① Bearing shell
- ② Roller brush
- ③ Drive pin
- ④ Distance between sealing strip and retaining plate – Target: 28-30 mm

1. Remove the battery.
2. Remove the waste container.
3. Tilt the device backwards and secure it against tipping down.
4. Remove any wrapped tapes and cords from the roller brush.
5. Remove dirt from the drive pins.
6. To change the roller brush, grab the roller brush at the base body, press to the left and pull it out downwards.
7. Fit the new roller brush onto the drive pins (left). On the opposite side, engage the bearing shell in the hole of the roller brush rocker.
8. With the device tilted, check the adjustment of the front sealing strip, readjust if necessary.

Changing/adjusting the sealing strips

Sealing strips	Adjustment values
Side sealing strips	Distance to the floor 1-2 mm
Front sealing strip	Distance of sealing strip to retaining plate 28-30 mm
Rear sealing strip	not adjustable



- ① Front sealing strip
- ② Side sealing strip
- ③ Rear sealing strip (not adjustable)
- ④ Fastening
- ⑤ Waste container

1. Release the fastening of the sealing strips.
2. Adjust the sealing strip by sliding it in the slotted holes.
 - a See the values in the table.
3. If the adjustments are correct, fasten the sealing strips.

Troubleshooting guide

Note

Contact customer service for all malfunctions not listed!

Roller brush / side brush do not run or run incorrectly

- Turn on the On/Off switch (position I).
- Charge the battery.
- Engage the battery correctly.
- The electronics switched off the device due to an overload (LED flashes). Observe when switching on again:
 - a Switch off the device using the On/Off switch.
 - b Raise the roller brush by lifting the twist grip and turning it all the way up in an counterclockwise direction.
 - c Switch on the device using the "On/Off switch".
- Check roller brush / side brush for wrapped straps.
- Check the belt.
- Fully close the cover (cover switch).

Dust when sweeping / insufficient suction performance

- Empty the waste container.
- Check/replace the seals on the filter box and waste container.
- Check / clean / replace dust filter and pre-filter.
 - a Check that the dust filter and pre-filter are fitted correctly.
 - b Clean the dust filter and pre-filter if they are lightly contaminated.
 - c Replace the dust filter and pre-filter if they are damaged or highly contaminated.
- Check / adjust / replace the sealing strips for wear and tear.
- Blower defective, contact customer service.

Sweeping performance not satisfactory

- Correctly adjust the sweeping level of the roller brush and side brush using the adjustment option.
- The roller brush and side brush are too worn out, replace them.
- Check the sealing strips for wear and tear, adjust / replace if necessary.

Accessories/spare parts

Below (extracts) is an overview of wear parts or optionally available accessories.

Accessories	Description	Order no.
Side brushes	For interior textile coverings	5.032-221.0
Roller brush	For interior textile coverings	4.762-642.0
Dust filter	Flat fold filter (PTFE)	6.907-449.0
Pre-filter		5.745-280.0
Dust bag	10 pcs. dust bags in set	2.884-358.0
Replacement battery 'Battery Power+ 36/75 DW'	High-performance battery 36 V, 7.5 Ah	2.445-075.0
"Battery Power +" charger	Quick charger 36 V	2.445-053.0

Technical data

Device performance data

		1.517-302.0
--	--	-------------

Operation duration with a fully charged battery	Minutes	up to 60
---	---------	----------

Working width	in (mm)	17.7 (450)
---------------	---------	------------

Working width with 1 side brush	in (mm)	24.6 (625)
---------------------------------	---------	------------

Theoretical surface performance

Surface performance (max.)	ft ² /h (m ² /h)	26900 (2500)
----------------------------	--	--------------

Battery

Battery type		Lithium-ion
--------------	--	-------------

Battery capacity	Ah	7,5
------------------	----	-----

Battery voltage	V	36
-----------------	---	----

Ambient conditions

Ambient temperature	°F (°C)	32 ... 104 (0 ... 40)
---------------------	---------	-----------------------

Humidity, not condensing	%	0 - 90
--------------------------	---	--------

Dimensions and weights

Length	in (mm)	38.6 (980)
--------	---------	------------

Width	in (mm)	26.6 (675)
-------	---------	------------

Height	in (mm)	42.1 (1070)
--------	---------	-------------

Net weight (transport weight)	lbs (kg)	85.8 (39)
-------------------------------	----------	-----------

Approved total weight	lbs (kg)	118.8 (54)
-----------------------	----------	------------

Wide roller brush	in (mm)	17.7 (450)
-------------------	---------	------------

Roller brush diameter	in (mm)	9 (230)
-----------------------	---------	---------

Side brush diameter	in (mm)	9.85 (250)
---------------------	---------	------------

Waste container

Waste container volume (gross)	gal/lbs (l/kg)	5.28/33 (20/15)
--------------------------------	----------------	-----------------

Filter and suction system

Filter system		Flat fold filter
---------------	--	------------------

Filter area	ft ² (m ²)	1022 (0,95)
-------------	-----------------------------------	-------------

Determined values in acc. with EN 60335-2-72

Hand-arm vibration value	m/s ²	< 2,5
--------------------------	------------------	-------

Sound pressure level L _{pA}	dB(A)	56
--------------------------------------	-------	----

Subject to technical changes without notice.

Contenu

CONSIGNES DE SÉCURITÉ IMPORTANTES.....	10
REGLES DE SECURITE ET PRATIQUES RELATIVES A L'UTILISATION.....	11
PROCEDURES D'ENTRETIEN ET DE REMISE EN ETAT.....	12
NORMES DE SECURITE INCENDIE.....	12
Remarques générales.....	12
Utilisation conforme.....	13
Fonction.....	13
Description de l'appareil.....	14
Mise en service.....	15
Fonctionnement.....	16
Transport.....	16
Stockage.....	16
Entretien et maintenance.....	17
Dépannage en cas de défaut.....	18
Accessoires / pièces de rechange.....	19
Caractéristiques techniques.....	19

CONSIGNES DE SÉCURITÉ IMPORTANTES

LIRE TOUTES LES INSTRUCTIONS AVANT D'UTILISER CET APPAREIL

△ AVERTISSEMENT

Pour réduire les risques d'incendie, de choc électrique ou de blessures :

NE PAS LAISSER l'appareil sans surveillance lorsqu'il est branché. Débrancher la fiche de la prise en cas de non utilisation et d'entretien.

△ AVERTISSEMENT

POUR RÉDUIRE LE RISQUE DE CHOC ÉLECTRIQUE - UTILISATION EN INTÉRIEUR UNIQUEMENT

- N'autorisez pas que l'appareil serve de jouet. Lors de l'utilisation de l'appareil par des enfants ou à proximité d'enfants, la plus grande attention est requise.
- Utilisation uniquement comme cela est décrit dans ce manuel. Utiliser uniquement les accessoires recommandés par le fabricant.
- Ne pas utiliser avec un câble ou une prise endommagés. Si l'unité ne fonctionne pas comme elle le devrait, si elle est tombée, est endommagée, a été laissée dehors ou est tombée dans l'eau, la renvoyer à un centre de SAV.
- Ne pas tirer ou porter l'appareil avec le câble, ne pas utiliser de câble comme poignée, ne pas fermer une porte sur le câble ou faire passer le câble au niveau de coins ou d'angles coupants. Ne faire passer aucun appareil sur le câble. Maintenir le câble à distance des surfaces chaudes.
- NE PAS DEBRANCHER LA FICHE SECTEUR DE LA PRISE DE COURANT EN TIRANT SUR LE CÂBLE DE BRANCHEMENT AU SECTEUR. Pour débrancher le secteur, tirer sur la fiche secteur, pas sur le câble de branchement au secteur.
- Ne pas brancher la fiche ou l'appareil avec des mains humides.
- N'introduisez pas d'objet dans les ouvertures. N'utilisez pas l'appareil lorsque les ouvertures sont colmatées. Veillez à les garder exemptes de poussière, cheveux, peluches ainsi que de tout ce qui serait susceptible d'entraver le flux d'air.
- Maintenir les CHEVEUX, VETEMENTS, BIJOUX PENDANTS, DOIGTS et tous les membres du corps éloignés des ouvertures et des pièces mobiles.
- Eteindre toutes les commandes avant de débrancher.
- Soyez particulièrement prudents lors du nettoyage dans les escaliers.
- N'utilisez pas l'appareil pour aspirer des liquides inflammables ou combustibles, par exemple de l'essence, et ne placez pas l'appareil dans des endroits dans lesquels de tels liquides pourraient se trouver.

- Raccordement uniquement à une prise mise à la terre correctement. Voir Instructions de mise à la terre.
- Débrancher toujours le câble de la prise électrique avant d'entretenir l'appareil.
- Ne jamais balayer des liquides explosifs, des gaz combustibles ou des acides et des solvants non dilués. Cela comprend l'essence, les diluants de peinture ou le fuel domestique qui peuvent générer des fumées ou des mélanges explosifs au contact de l'air. L'acétone, les acides non dilués et les solvants doivent également être évités car ils peuvent abîmer les matériaux sur la machine.
- Ne pas aspirer des objets qui brûlent ou se consomment.

INSTRUCTIONS DE MISE À LA TERRE

Cet appareil doit être mis à la terre. En cas de dysfonctionnement ou de panne, la mise à la terre fournit un chemin de moindre résistance pour le courant électrique afin de réduire le risque de choc électrique.

Cet appareil est équipé d'un câble disposant d'un connecteur de mise à la terre de l'équipement et d'une fiche de terre.

La fiche doit être branchée dans une prise appropriée installée correctement et mise à la terre conformément à toutes les normes et ordonnances locales.

⚠ DANGER

Tout raccordement inapproprié du conducteur de mise à la terre de l'équipement peut entraîner un risque d'électrocution.

En cas de doute concernant la mise à la terre correcte d'une prise de courant, faire appel à un électricien qualifié ou au personnel de service.

Ne pas modifier la fiche fournie avec le produit - si elle ne correspond pas à la prise de courant, faire installer une prise de courant appropriée par un électricien qualifié.

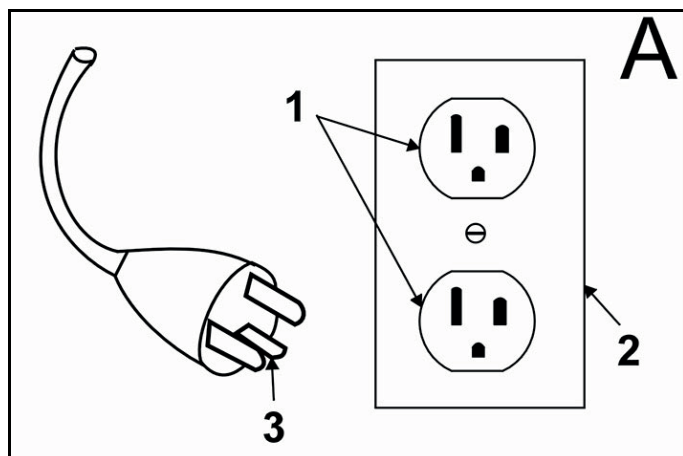
Ne pas utiliser d'adaptateur avec ce produit.

Cet appareil est prévu pour être utilisé sur un circuit 120 V nom. et dispose d'une fiche de branchement de terre qui ressemble à la fiche illustrée sur la figure A.

Vérifier que l'appareil est raccordé à une prise de courant ayant la même configuration que la fiche.

Aucun adaptateur ne doit être utilisé avec cet appareil.

RACCORDER UNIQUEMENT À UNE PRISE MISE À LA TERRE CORRECTEMENT



- ① Prise de terre
- ② Boîtier prise de terre
- ③ Broche à la masse

REGLES DE SECURITE ET PRATIQUES RELATIVES A L'UTILISATION

Responsabilité du propriétaire/de l'utilisateur

Avant d'utiliser ce nettoyeur pression, le propriétaire et/ou l'utilisateur doit impérativement avoir pris connaissance des consignes d'utilisation et mises en garde du fabricant.

Il est nécessaire d'insister sur les avertissements et de les comprendre.

Si l'utilisateur ne parle pas couramment l'anglais, l'acheteur/le propriétaire doit lire les consignes et mises en garde du fabricant avec l'utilisateur dans la langue maternelle de ce dernier et s'assurer qu'il en comprend bien le contenu.

Le propriétaire et/ou l'utilisateur doit se familiariser avec les consignes du fabricant et les conserver afin de pouvoir s'y référer ultérieurement.

Généralités

Avant de commencer à faire fonctionner l'unité, soyez dans une position d'opération.

Ne pas démarrer ou utiliser l'appareil, ni aucune de ses fonctions ou accessoires, à partir d'un autre endroit que celui réservé à l'utilisateur.

Avant de quitter le poste de l'utilisateur :

- 1 arrêter l'appareil ;
- 2 si l'appareil doit stationner sur une pente, caler les roues.

Conserver une distance de sécurité avec les bords des rampes, des plates-formes et de toutes les autres surfaces de travail du même type.

Ne pas ajouter d'accessoires à l'appareil ni le modifier de quelque manière que ce soit.

Ne pas stationner à un endroit où l'appareil risque d'entraver les issues de secours, les cages d'escaliers ou les équipements de lutte contre l'incendie.

Conduite

Céder la priorité aux piétons ainsi qu'aux véhicules d'urgence comme les ambulances et les camions de pompiers.

Traverser les voies ferrées à angle droit lorsque c'est possible.

Ne pas garer l'appareil à moins de 1,8 m de la voie ferrée ou du rail le plus proche.

Veiller à conserver une vue bien dégagée du trajet à emprunter et être attentif à la circulation des autres véhicules, aux déplacements des membres du personnel, ainsi qu'aux espaces de dégagement.

Quelles que soient les conditions de circulation, conserver une vitesse permettant d'arrêter l'appareil en toute sécurité.

Ne jamais adopter de conduite dangereuse (cascades, acrobaties etc.)

Ralentir sur les sols mouillés et glissants. Avant de déplacer l'appareil sur un pont de chargement ou un pont de liaison, s'assurer que celui-ci est correctement sécurisé. Avancer prudemment et lentement sur le pont de chargement ou pont de liaison. Ne jamais dépasser la charge maximale autorisée.

Dans les virages, ralentir et adopter une vitesse de sécurité adaptée à l'environnement d'utilisation. Les virages doivent être abordés sans à-coups.

Entretien de l'appareil par l'utilisateur

Si le véhicule a besoin d'être réparé ou présente un risque quelconque, l'utilisateur doit le signaler immédiatement à son responsable et ne pas utiliser l'appareil avant résolution du problème.

Si, en cours d'utilisation, le véhicule s'avère dangereux de quelque façon que ce soit, signaler immédiatement le problème au responsable concerné et cesser l'utilisation de l'appareil avant résolution du problème.

Ne pas effectuer de réparations ou réglages à moins d'y être expressément autorisé.

PROCEDURES D'ENTRETIEN ET DE REMISE EN ETAT

L'utilisation de l'appareil peut devenir dangereuse si l'entretien est négligé ou si la remise en état ou les réglages nécessaires ne sont pas effectués en conformité avec les recommandations du fabricant. Par conséquent, il est nécessaire de prévoir des ateliers de maintenance, à l'intérieur ou l'extérieur des bâtiments, avec du personnel dûment formé, ainsi que d'établir des procédures détaillées.

La maintenance et l'inspection de l'appareil doivent être effectuées conformément aux procédures suivantes :

- 1 Les intervalles prescrits pour la maintenance, la lubrification et le contrôle du système doivent être respectés; se reporter aux instructions du fabricant.
- 2 Seules les personnes formées et habilitées sont autorisées à utiliser les autolaveuses motorisées. Les utilisateurs de ces appareils doivent avoir les aptitudes visuelles et auditives ainsi que les capacités physiques et mentales requises pour utiliser cet équipement en toute sécurité.

Eviter les risques d'incendie et s'assurer que les locaux sont dotés des équipements nécessaires pour la lutte contre l'incendie. Ne jamais utiliser de bacs ouverts contenant du carburant ou des produits de nettoyage inflammables pour nettoyer les composants de l'autolaveuse motorisée.

NORMES DE SECURITE INCENDIE

Tout appareil dont le fonctionnement représente un risque doit être mis hors service.

Les réparations ne doivent pas être effectuées dans les zones de classe I, II et III.

Prévention des incendies : L'autolaveuse motorisée doit être tenue propre et dans la mesure du possible, protégée des peluches, des déversements d'huile et de la graisse.

L'utilisation de produits non inflammables est recommandée pour le nettoyage de l'autolaveuse motorisée. Les liquides inflammables dont le point d'ignition est égal ou supérieur à 37,8 °C (100 °F) ne sont pas autorisés. Prendre les mesures appropriées concernant la toxicité, l'aération, et les risques d'incendie selon le produit ou solvant utilisé.

Visibilité de la plaque signalétique : Les données techniques figurant sur la plaque signalétique de l'appareil ne doivent pas être recouvertes de peinture et les informations d'identification doivent rester visibles.

Remarques générales



Veillez lire le présent le manuel d'instructions original et le chapitre des consignes de sécurité avant la première utilisation de l'appareil. Suivez ces instructions.

tions.

Conservez les pour une utilisation ultérieure ou pour le propriétaire suivant.

Contrôle de la livraison

Lors de la remise du véhicule, veuillez déclarer aussitôt les défauts et dommages dus au transport identifiés à votre vendeur ou concession.

Protection de l'environnement



Les matériaux d'emballage sont recyclables. Veuillez éliminer les emballages dans le respect de l'environnement.



Les appareils électriques et électroniques contiennent des matériaux précieux recyclables et souvent des composants tels que des piles, batteries ou de l'huile représentant un danger potentiel pour la santé humaine et l'environnement, s'ils ne sont pas manipulés ou éliminés correctement. Ces composants sont cependant nécessaires pour le fonctionnement correct de l'appareil. Les appareils marqués par ce symbole ne doivent pas être jetés dans les ordures ménagères.

Remarques concernant les matières composantes (REACH)

Les informations actuelles concernant les matières composantes sont disponibles sous : www.kaercher.com/REACH

Garantie

Les conditions de garantie publiées par notre société commerciale compétente s'appliquent dans chaque pays. Nous remédions gratuitement aux défauts possibles sur votre appareil dans la durée de garantie dans la mesure où la cause du défaut est un vice de matériau ou de fabrication. En cas de garantie, veuillez vous adresser à votre distributeur ou au point de service après-vente autorisé le plus proche avec la facture d'achat. (Voir l'adresse au dos)

Accessoires et pièces de rechange

Utiliser exclusivement des accessoires et pièces de rechange originaux. Ceux-ci garantissent le fonctionnement sûr et sans défaut de votre appareil.

Des informations sur les accessoires et pièces de rechange sont disponibles sur le site Internet www.kaercher.com.

Niveaux de danger

⚠ DANGER

● Indique un danger immédiat qui peut entraîner de graves blessures corporelles ou la mort.

⚠ AVERTISSEMENT

● Indique une situation potentiellement dangereuse qui peut entraîner de graves blessures corporelles ou la mort.

⚠ PRÉCAUTION

● Indique une situation potentiellement dangereuse qui peut entraîner des blessures légères.

ATTENTION

● Indique une situation potentiellement dangereuse qui peut entraîner des dommages matériels.

Symboles sur l'appareil

	<p>⚠ DANGER Risque de brûlures sur les surfaces très chaudes <i>Laissez l'appareil refroidir suffisamment avant toute intervention ou avant d'ouvrir les capots.</i></p>
	<p>⚠ DANGER Risque de blessure et d'écrasement dû aux pièces de la machine en mouvement et aux courroies d'entraînement en circulation. <i>Attendez l'arrêt complet de toutes les parties de l'appareil avant d'ouvrir le capot et ne mettez pas les mains à l'intérieur de l'appareil pendant son fonctionnement.</i></p>
	Affichage de la pression d'appui de la brosse-rouleau (rétrovisseur de balayage)
	Levage de la brosse-rouleau
	Abaissement de la brosse-rouleau
	Abaissement du balai latéral
	Levage du balai latéral



L'appareil est fourni avec un filtre plat plissé en feutre polyester avec revêtement PTFE (classe de poussières M).

Utilisation conforme

Cet appareil avec batterie est une balayeuse pour nettoyer destinée au nettoyage de tapis et autres sols textiles de l'espace intérieur. Il dispose d'une brosse-rouleau antistatique et d'un filtre à poussière intégré.

Cet appareil est prévu exclusivement pour le nettoyage à sec.

La balayeuse est conçue pour une utilisation professionnelle.

Utiliser la balayeuse exclusivement conformément aux indications de ce manuel d'utilisation. Toute utilisation différente est considérée comme non conforme. Le fabricant décline toute responsabilité en cas de dommages qui en résulteraient ; l'utilisateur en assume seul les risques.

Ne pas réaliser de modifications sur la balayeuse.

Parcourir et nettoyer exclusivement les surfaces autorisées par l'entrepreneur ou ses missionnés.

Utilisation non conforme prévisible

Cet appareil est uniquement destiné à une utilisation à sec et ne doit pas être utilisé ou placé à l'extérieur dans un environnement humide.

L'appareil n'est pas destiné à une utilisation en pente.

Ne jamais balayer ni aspirer de liquides, gaz explosifs, d'acides et solvants non dilués (p.ex. essence, diluant pour peinture, fioul), ils forment des vapeurs ou mélanges explosifs en liaison avec l'air aspiré.

Ne jamais balayer ni aspirer d'acétone, d'acides et solvants non dilués, car ils attaquent et endommagent les matériaux utilisés sur l'appareil.

Ne jamais balayer ni aspirer de poussière de métal (p.ex. aluminium, magnésium, zinc), en liaison avec des détergents très alcalins ou acides, elle forme des gaz explosifs.

Ne jamais balayer ni aspirer d'objets en feu ou incandescents, risque d'incendie.

Ne pas balayer de substances à risque pour la santé.

Il est interdit de se tenir dans les zones dangereuses. L'utilisation dans des locaux à risque d'explosion est interdite.

Il est interdit de pousser / tirer ou de transporter des objets avec cet appareil.

Revêtements adaptés au balayage

Grandes surfaces textiles, p. ex. dans :

- des bureaux
- des hôtels
- des magasins
- des casinos
- des aéroports
- des halles de tennis
- des salles d'exposition

Fonction

La balayeuse fonctionne selon le principe de soulèvement.

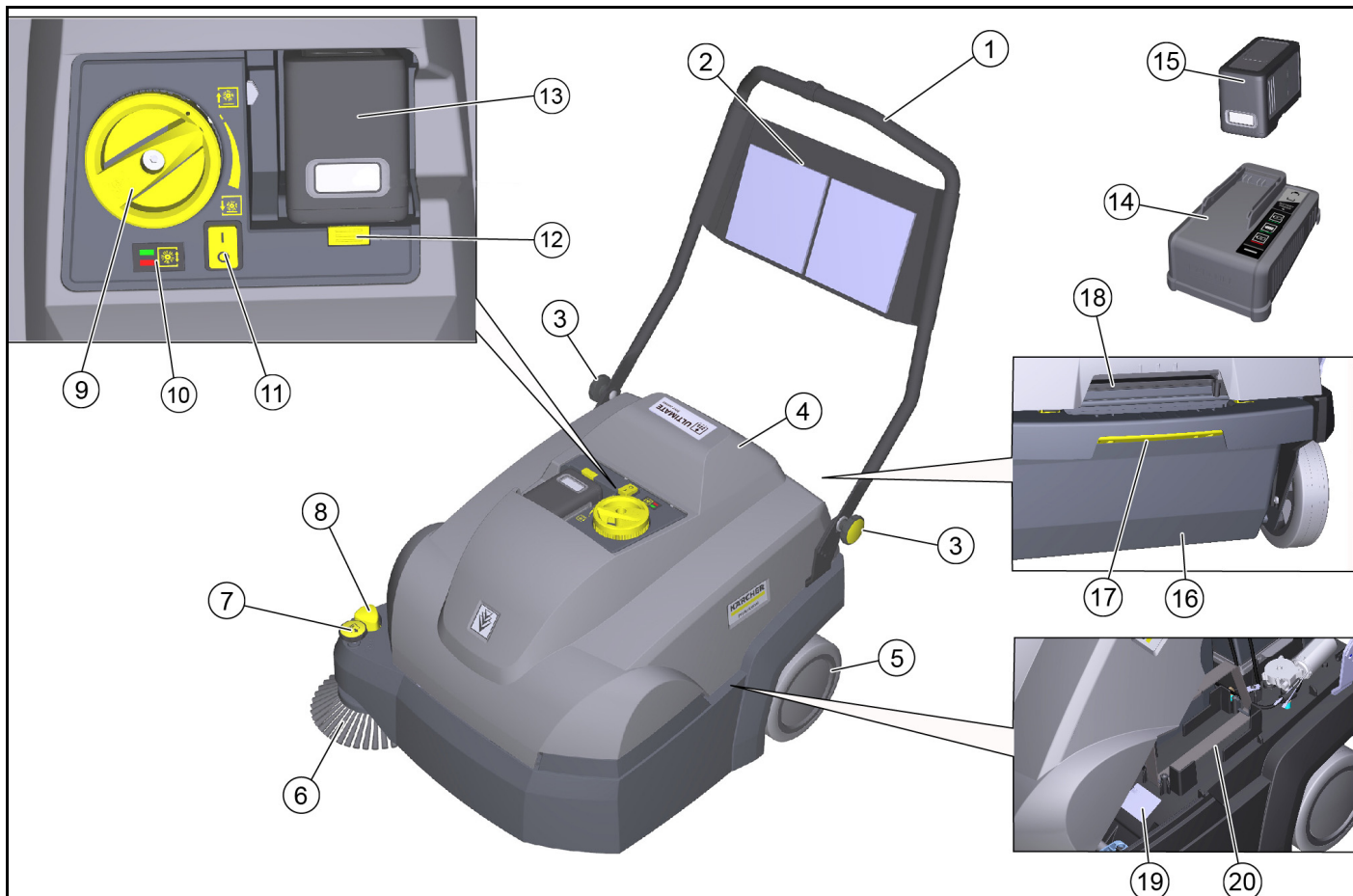
1. Le balai latéral rotatif nettoie les coins et bords de la surface de balayage et transporte les balayures sur le trajet de la brosse-rouleau.
2. La brosse-rouleau en rotation transporte les balayures directement dans la cuve à poussière.
3. La poussière aspirée dans la cuve à poussière est séparée par un filtre à poussière et un préfiltre et la soufflerie aspire l'air pur filtré.
4. Le préfiltre est nettoyé automatiquement après une durée déterminée lors du démarrage de l'appareil et pendant son fonctionnement.
5. Les roues arrière saillantes permettent de le transporter facilement dans les escalators.
6. Les salissures collectées sont transportées dans la cuve à poussière. La cuve à poussière peut éventuellement être équipé d'un sac pour le recyclage.

Description de l'appareil

• CVS 65/1 Bp Pack (1.517-302.0)

Batterie et chargeur inclus dans la livraison

Illustration de l'appareil



- ① Guidon
- ② Filet de rangement (pas pour la batterie de rechange)
- ③ Vis étoilées pour le réglage du guidon (2x)
- ④ Capot de l'appareil
- ⑤ Roue arrière (2x)
- ⑥ Balai latéral à droite
- ⑦ Réglage du balai latéral
 - Réglage de la pression d'appui
 - Soulever le balai latéral
- ⑧ Abaissement du balai latéral
- ⑨ Réglage de la pression d'appui de la brosse-rouleau (motif de balayage)
- ⑩ Affichage de la pression d'appui de la brosse-rouleau
 - La LED ne s'allume pas : Abaisser davantage la brosse-rouleau
 - LED verte : réglage correct
 - LED rouge : Relever la brosse-rouleau
- ⑪ Interrupteur Marche/Arrêt
- ⑫ Déverrouillage de la batterie
- ⑬ Compartiment batterie
- ⑭ Chargeur « Battery Power + »
- ⑮ Batterie « Battery Power+ 36/75 »
- ⑯ Cuve à poussière, amovible
 - Un sachet pour le recyclage (option) peut être inséré dans la cuve à poussière.
- ⑰ Déverrouillage de la cuve à poussière
- ⑱ Poignée encastrée du capot de l'appareil
- ⑲ Plaque signalétique
- ⑳ Compartiment pour la batterie de rechange (avec sangle de maintien)

Dispositifs de sécurité

Les dispositifs de sécurité sont destinés à la protection de l'utilisateur et ne doivent ni être mis hors service, ni shuntés.

Observez les consignes de sécurité dans les chapitres !

Commutateur de capot

L'interrupteur principal empêche l'appareil de démarrer lorsque le capot de l'appareil est ouvert.

Interrupteur Marche/Arrêt

L'interrupteur Marche/Arrêt évite un démarrage involontaire de l'appareil. Désactiver l'interrupteur Marche/Arrêt lorsque l'appareil est entreposé ou en cas de danger.

Platine

En cas de surcharge de la brosse-rouleau, l'électronique éteint l'appareil et la LED clignote.

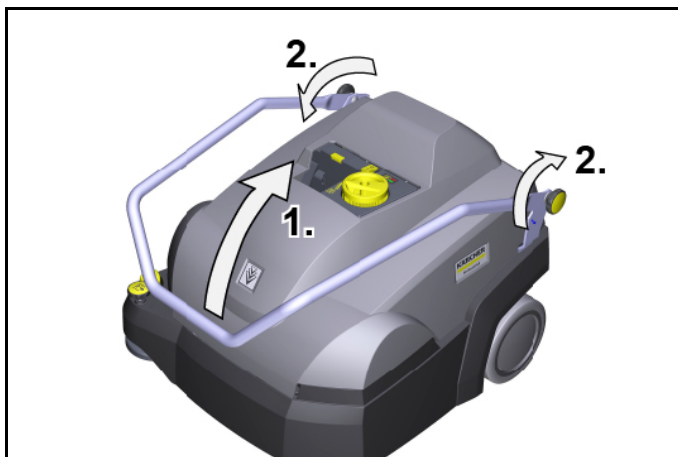
Dans ce cas, désactiver l'appareil à l'aide de l'interrupteur Marche/Arrêt et, avant de le remettre en marche, tourner la brosse-rouleau à fond vers le haut en utilisant le réglage de la pression d'appui.

Mise en service

Réglage du guidon

Remarque

À la livraison de l'appareil, le guidon est rabattu. Il peut être ajusté à 3 hauteurs différentes pour le travail.



1. Rabattre le guidon vers le haut dans la position souhaitée. S'assurer que les rainures s'engagent correctement dans les boulons (fixation).
2. Serrer les vis en étoile à la main.

Ouvrir/fermer le capot de l'appareil

⚠ PRÉCAUTION

Risque de se coincer et de s'écraser les doigts

Pour ouvrir ou fermer le capot de l'appareil, saisissez l'appareil uniquement par la poignée encastrée.

ATTENTION

Risque de brûlure sur le moteur de traction chaud

Le moteur de traction peut chauffer pendant le fonctionnement. Ne toucher pas les surfaces chaudes. Faire attention aux symboles d'avertissement.

Remarque

L'ouverture du capot de l'appareil est requise :

- pour les travaux de maintenance et de nettoyage
 - pour changer/nettoyer le filtre à poussière et le préfiltre
 - pour stocker une batterie de rechange.
1. Ouverture du capot de l'appareil : saisir le capot de l'appareil par la poignée encastrée et le basculer lentement vers l'avant. Un ruban maintient le capot de l'appareil.
 2. Fermeture du capot de l'appareil : faire basculer lentement le capot de l'appareil vers l'arrière.

Monter le balai latéral

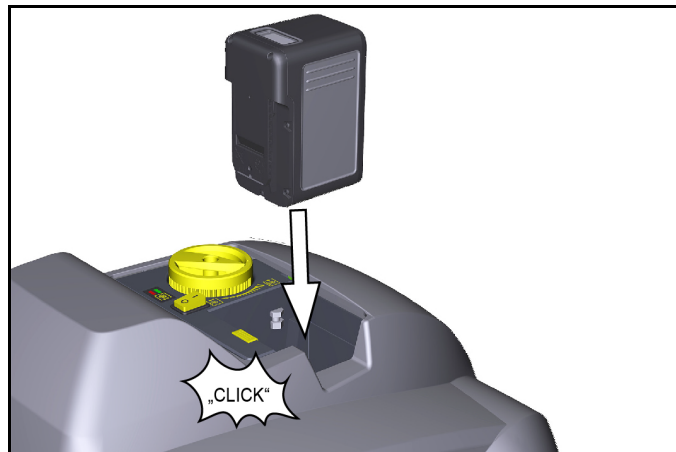
Le balai latéral est fourni avec l'appareil et doit être fixée à l'appareil avant son utilisation.

Cf. chapitre « Remplacement des balais latéraux ».

Chargement/mise en place de la batterie

Charger la batterie avant utilisation.

La description de cette opération se trouve dans les manuels d'utilisation séparés de la batterie et du chargeur.

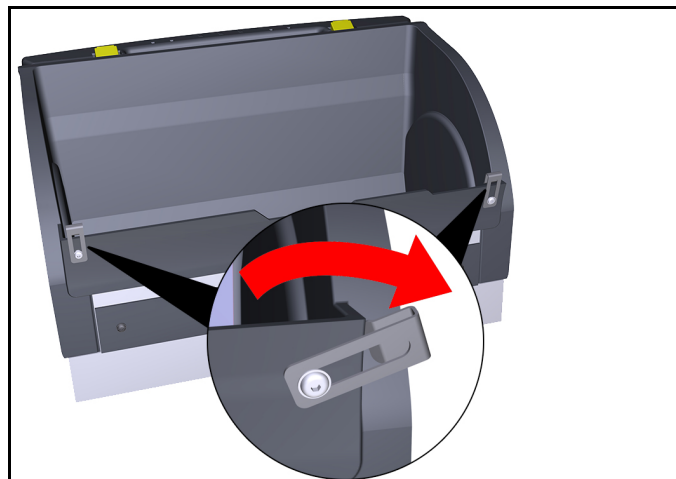


- 1 Placer la batterie chargée dans le compartiment batterie et la pousser en butée jusqu'à entendre un clic.

Sachet pour le recyclage (option)

Un sachet pour le recyclage peut être inséré dans la cuve à poussière pour une élimination facile et sûre de la poussière.

1. Actionner le verrouillage de la cuve à poussière (la tirer vers l'arrière).
2. Incliner la cuve à poussière vers l'arrière et l'extraire.
3. Rabattre vers l'extérieur les clips de fixation situés à l'avant de la cuve à poussière.



4. Insérer le sachet pour le recyclage dans la cuve à poussière et le faire passer par-dessus le bord.



5. Refermer le clip de fixation.
6. Insérer la cuve à poussière et la pousser à fond vers l'avant.
7. Vérifier que la cuve à poussière est bien enclenchée.

Fonctionnement

Remarques sur le balayage

⚠ PRÉCAUTION

Risque d'endommagement

Effectuer les travaux de nettoyage dans le sens de la marche avant.

Ne réalisez pas les travaux de nettoyage si la cuve à poussière est sortie.

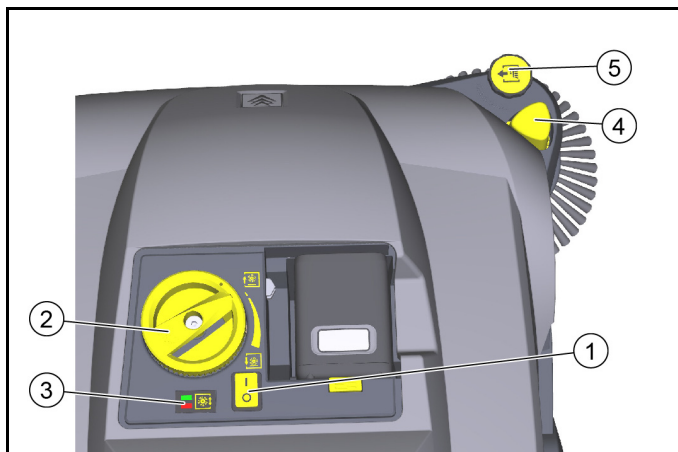
Ne pas laisser l'appareil fonctionner en place avec la brosse-rouleau activée.

Ne balayez pas de bandes d'emballage, de fils ou similaires (dommage sur le mécanisme de balayage).

Remarque

Adaptez la vitesse de balayage aux conditions pour obtenir un résultat de nettoyage idéal.

Balayage avec brosse-rouleau et balai latéral



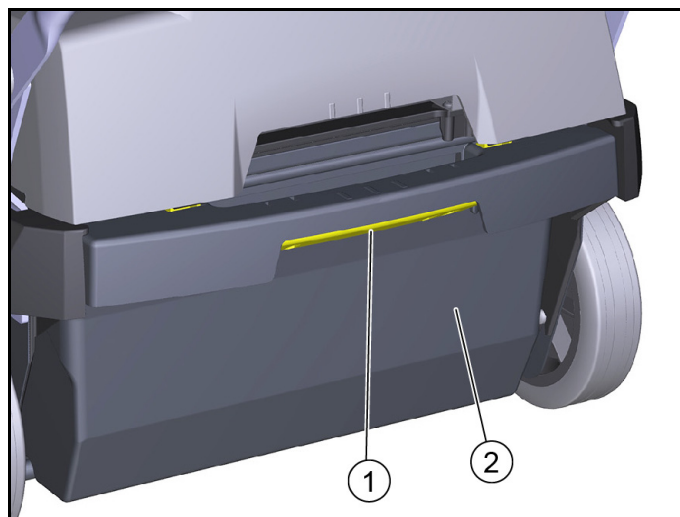
- ① Interrupteur Marche/Arrêt
- ② Réglage de la pression d'appui de la brosse-rouleau (poignée rotative)
- ③ Affichage de la pression d'appui de la brosse-rouleau
 - La DEL ne s'allume pas : Abaisser davantage la brosse-rouleau
 - LED verte : réglage correct
 - LED rouge : Soulever la brosse-rouleau
- ④ Abaisser la brosse latérale
- ⑤ Réglage du balai latéral
 - Ajuster la pression d'appui
 - Soulever le balai latéral

1. Activer l'appareil avec l'interrupteur Marche/Arrêt (position I).
 - a La brosse-rouleau et le balai latéral tournent.
2. Pousser l'appareil vers l'avant par le guidon poussée et commencer le nettoyage. Utiliser le réglage de la pression d'appui, en fonction de la matière textile.
 - a Pour le réglage, soulever la poignée rotative, puis tourner.
 - b La pression d'appui correcte est indiquée par une LED verte.
3. Pour nettoyer près du bord, abaisser le balai latéral en appuyant sur le bouton d'abaissement du balai latéral.
 - a Si nécessaire, utiliser le réglage du balai latéral et régler la pression d'appui.
4. Pour ramasser des objets plus gros (20 mm), appuyer légèrement sur le guidon pour que la brosse-rouleau puisse déplacer les objets dans le bac à poussière.
5. Un nettoyage automatique du préfiltre assure un travail continu.
6. Recharger toujours les batteries à temps.
 - a Pendant l'opération de balayage, l'affichage de la batterie indique le temps restant en minutes.
 - b Lorsque l'appareil est éteint, la charge de la batterie s'affiche en %.

Arrêter et couper l'appareil

1. Pour terminer le travail, désactiver l'appareil avec l'interrupteur Marche/Arrêt (position 0).
2. Placer l'appareil sur une surface plane.
3. Soulever la poignée rotative de la brosse-rouleau et la tourner à fond dans le sens inverse des aiguilles d'une montre.
4. Tirer le balai latéral abaissé vers le haut sur le réglage. Le balai latéral se verrouille.
5. Vider la cuve à poussière.
6. Nettoyer le filtre à poussière et le préfiltre.
7. Charger la batterie.

Vidage de la cuve à poussière



- ① Verrouillage de la cuve à poussière
- ② Cuve à poussière

1. Actionner le verrouillage de la cuve à poussière (la tirer vers l'arrière).
2. Incliner la cuve à poussière vers l'arrière et l'extraire.
3. Vider la cuve à poussière ou retirer le sachet pour le recyclage (option).
4. Insérer la cuve à poussière et la pousser à fond vers l'avant. Si besoin, insérer au préalable le sachet pour le recyclage (option) comme décrit dans le chapitre « Sachet pour le recyclage (option) ».
5. Vérifier que la cuve à poussière est bien enclenchée.

Transport

⚠ PRÉCAUTION

Risque de blessure et d'endommagement

Observer le poids de l'appareil pour le transport.

1. Désactiver l'appareil avec l'interrupteur Marche/Arrêt.
2. Soulever la poignée rotative de la brosse-rouleau et la tourner à fond dans le sens inverse des aiguilles d'une montre.
3. Fixer l'appareil sur les roues avec des cales.
4. Fixer l'appareil avec des cordes ou des sangles d'arrimage.
 - a À l'avant du cadre sous le capot de l'appareil.
 - b À l'arrière dans la zone de fixation du guidon.
5. En cas de transport de l'appareil dans des véhicules, le bloquer contre le glissement et le basculement suivant les normes en vigueur.

Stockage

⚠ AVERTISSEMENT

Risque de blessure et d'endommagement

Observez le poids de l'appareil.

1. Entreposez l'appareil dans un lieu protégé, plat et sec.
2. Retirer l'accumulateur.
 - a Respecter les instructions du mode d'emploi de la batterie concernant le stockage.
3. Nettoyer l'intérieur et l'extérieur du véhicule.
4. Soulever la poignée rotative de la brosse-rouleau et la tourner à fond dans le sens inverse des aiguilles d'une montre.

Entretien et maintenance

Remarques générales

⚠ DANGER

Risque d'accident et de blessures par déplacement involontaire de l'appareil

Désactiver l'appareil avant tous les travaux d'entretien et de maintenance et retirer la batterie.

Nettoyage de l'appareil

⚠ PRÉCAUTION

Risque de court-circuit par le jet d'eau

Ne nettoyez pas l'appareil avec un flexible ou jet d'eau sous forte pression.

⚠ DANGER

Risque pour la santé dû à la poussière

Lors du nettoyage à l'air comprimé portez un masque de protection contre la poussière et des lunettes de protection.

ATTENTION

Risque d'endommagement des surfaces

N'utilisez pas de détergents abrasifs ou agressifs pour le nettoyage.

1. Souffler l'intérieur de l'appareil à l'air comprimé.
2. Nettoyer l'intérieur et l'extérieur de l'appareil avec un chiffon imbibé d'une lessive douce.

Intervalles de maintenance

Maintenance par le client

Remarque

Tous les travaux de service et de maintenance doivent être réalisés par un spécialiste qualifié, vous pouvez, si besoin, à tout moment demander l'aide d'un distributeur Kärcher agréé.

- Maintenance quotidienne
 - 1 Vérifier les éventuelles bandes enroulées de la brosse-rouleau et du balai latéral.
 - 2 Vérifier le fonctionnement de tous les éléments de commande.
- Maintenance hebdomadaire
 - 1 Vérifier la liberté de mouvement de toutes les pièces mobiles.
 - 2 Vérifier le réglage et l'usure des barres d'étanchéité dans la zone de balayage.
 - 3 Vérifier l'usure de la brosse-rouleau et du balai latéral.
 - 4 Vérifier la cassette filtrante, nettoyer le préfiltre si nécessaire.
 - 5 Vérifier le filtre à poussière, le nettoyer si nécessaire (selon la fréquence d'utilisation environ toutes les 10 heures).
- Maintenance mensuelle
 - 1 Retirer la brosse-rouleau et enlever la saleté du tourillon d'entraînement (voir chapitre « Contrôle/remplacement de la brosse-rouleau »)
- Maintenance selon l'usure
 - 1 Ajuster ou remplacer les barres d'étanchéité.
 - 2 Remplacer la brosse-rouleau.
 - 3 Remplacer le balai latéral.

Remarque

Description, voir le chapitre « Travaux de maintenance ».

Maintenance par le service après-vente

Remarque

Pour faire valoir les droits de garantie, tous les travaux de service et de maintenance doivent être réalisés, pendant la durée de la garantie, par un service après-vente autorisé.

- 1 Faire effectuer les travaux de maintenance conformément à la liste de contrôle d'inspection.

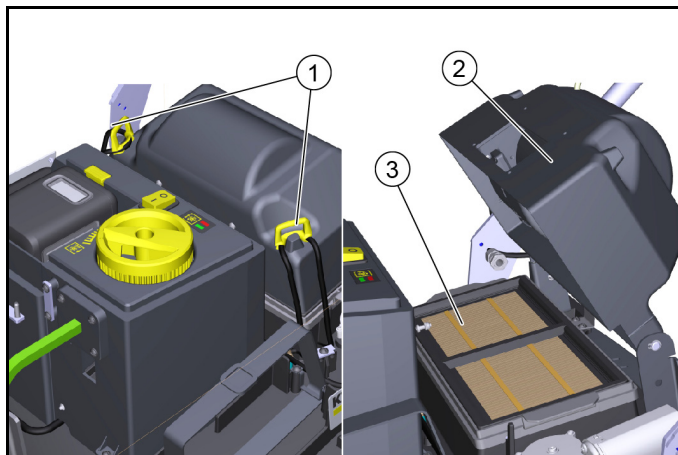
Travaux de maintenance

Nettoyer / remplacer le filtre à poussière

⚠ DANGER

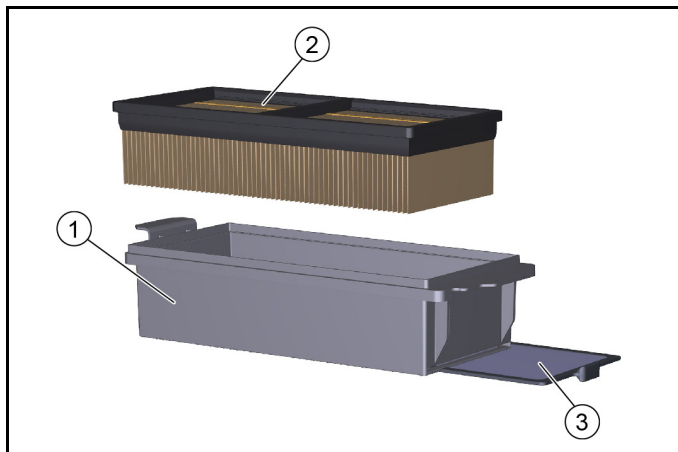
Risque pour la santé dû à la poussière

Lors des travaux sur l'installation de filtration portez un masque de protection contre la poussière et des lunettes de protection.



- ① Fermetures (2x)
- ② Couvercle du corps de filtre
- ③ Cassette filtrante

1. Éteindre l'appareil avec l'interrupteur MARCHE/ARRÊT.
2. Ouvrir le capot de l'appareil.
3. Ouvrir les fermetures.
4. Faire pivoter le couvercle vers le haut.
5. Retirer la cassette filtrante avec le filtre à poussière vers le haut.



- ① Cassette filtrante
- ② Filtre à poussière
- ③ Préfiltre, amovible

6. Contrôler le filtre à poussière et le préfiltre.
 - a Aspirer le filtre à poussière pour le nettoyer ou tapoter dessus avec la cassette filtrante (ne pas le laver).
 - b Extraire et nettoyer le préfiltre.
7. Contrôler et nettoyer le racleur de filtre.
8. Insérer une filtre à poussière ou préfiltre neuf dans la cassette filtrante s'il est endommagé ou très sale.
9. Respecter le sens de montage de la cassette filtrante lors de l'installation.

Remplacement du balai latéral

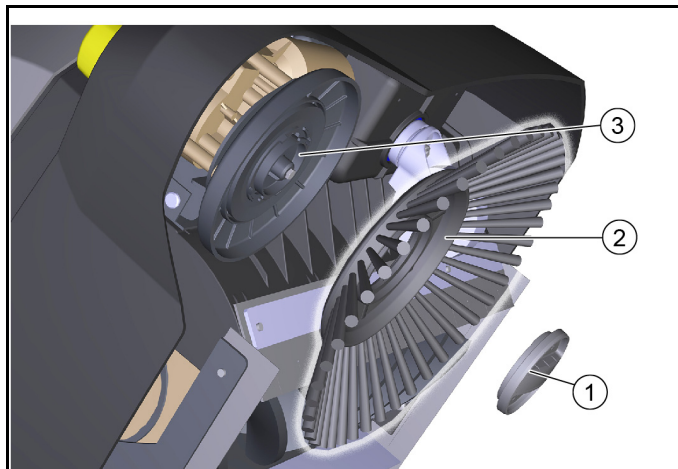
La procédure de remplacement du balai latéral est décrite pour l'appareil incliné.

ATTENTION

Risque de blessure et d'endommagement

Retirer la batterie et la cuve à balayures avant d'incliner l'appareil.

Fixer l'appareil incliné avant de remplacer le balai latéral.



- ① Fermeture
- ② Balais latéraux
- ③ Logement

1. Retirer la cuve à poussière.
2. Retirer l'accumulateur.
3. Incliner l'appareil vers l'arrière et le protéger contre le basculement.
4. Dévisser la fermeture sur la partie inférieure.
 - a Ouverture : tourner dans le sens antihoraire
 - b Fermeture : tourner dans le sens horaire
5. Retirer le balai latéral.
6. Si besoin, nettoyer le logement.
7. Insérer le nouveau balai latéral sur le logement et le fixer à l'aide de la fermeture.

Contrôler / remplacer la brosse-rouleau

Le contrôle et le remplacement de la brosse-rouleau lorsque l'appareil est incliné.

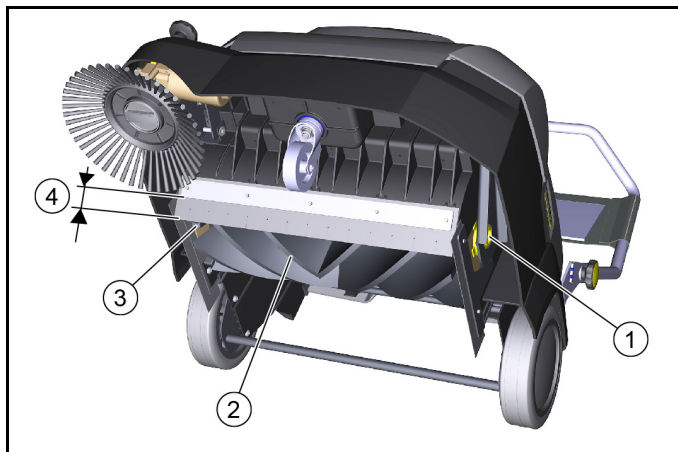
ATTENTION

Risque de blessure et d'endommagement

Retirer la batterie et la cuve à balayures avant d'incliner l'appareil.

Fixer l'appareil incliné avant le remplacement de brosse-rouleau.

Lors de la mise en place de la nouvelle brosse-rouleau, veillez à ce qu'aucune brosse ne soit coincée dans le trou de la bascule du rouleau de balayage.

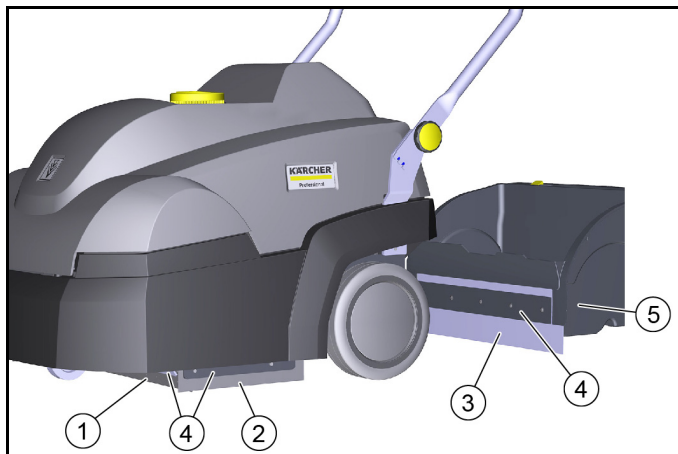


- ① Coussinet
- ② Brosse-rouleau

- ③ Broche d'entraînement
 - ④ Distance entre la baguette d'étanchéité et la plaque de retenue
 - Consigne : 28-30 mm
1. Retirer l'accumulateur.
 2. Retirer la cuve à poussière.
 3. Incliner l'appareil vers l'arrière et le protéger contre le basculement.
 4. Retirer les rubans et les cordons enroulés de la brosse-rouleau.
 5. Enlever les salissures des tenons d'entraînement.
 6. Pour changer la brosse-rouleau, la saisir par le corps de base, appuyer vers la gauche et l'extraire vers le bas.
 7. Insérer la nouvelle brosse-rouleau sur les tenons d'entraînement (à gauche). Du côté opposé, engager le coussinet dans le trou de la bascule du rouleau de balayage.
 8. Avec l'appareil incliné, contrôler le réglage de la bande d'étanchéité avant et l'ajuster si nécessaire.

Remplacement / réglage des barres d'étanchéité

Barres d'étanchéité	Valeurs de réglage
Barres d'étanchéité latérales	Distance au sol 1 - 2 mm
Barre d'étanchéité à l'avant	Distance entre la bande d'étanchéité et la plaque de retenue 28 - 30 mm
Barre d'étanchéité à l'arrière	non réglable



- ① Barre d'étanchéité à l'avant
 - ② Barre d'étanchéité latérale
 - ③ Baguette d'étanchéité arrière (non réglable)
 - ④ Fixation
 - ⑤ Cuve à poussière
1. Desserrer la fixation des barres d'étanchéité.
 2. Régler la barre d'étanchéité en la décalant dans les trous oblongs.
 - a Valeurs, voir le tableau.
 3. Lorsque les réglages sont corrects, fixer les barres d'étanchéité.

Dépannage en cas de défaut

Remarque

Pour tous les défauts non indiqués ici, contacter le service après-vente (service) !

La brosse-rouleau/le balai latéral ne fonctionnent pas ou ne fonctionnent pas correctement

- Activer l'interrupteur Marche/Arrêt (position I).
- Charger la batterie.
- Enclencher correctement la batterie.
- L'électronique a désactivé l'appareil en raison d'une surcharge (la LED clignote). Lors de la remise en marche, noter :
 - a Désactiver l'appareil à l'aide de l'interrupteur Marche/Arrêt.
 - b Soulever la brosse-rouleau en soulevant la poignée rotative et en la tournant à fond dans le sens antihoraire.

Caractéristiques techniques

Caractéristiques de puissance de l'appareil

		1.517-302.0
Autonomie avec une batterie pleine	Minutes	jusqu'à 60
Largeur de travail	in (mm)	17.7 (450)
Largeur de travail avec 1 balai latéral	in (mm)	24.6 (625)

Rendement surfacique théorique

Rendement surfacique (max.)	ft ² /h (m ² /h)	26900 (2500)
-----------------------------	--	--------------

Batterie

Type de batterie		Lithium-ion
Capacité de la batterie	Ah	7,5
Tension de la batterie	V	36

Conditions ambiantes

Température ambiante	°F (°C)	32 ... 104 (0 ... 40)
Humidité de l'air, non condensante	%	0 - 90

Dimensions et poids

Longueur	in (mm)	38.6 (980)
Largeur	in (mm)	26.6 (675)
Hauteur	in (mm)	42.1 (1070)
Poids à vide (poids de transport)	lbs (kg)	85.8 (39)
Poids total autorisé	lbs (kg)	118.8 (54)
Largeur de la brosse-rouleau	in (mm)	17.7 (450)
Diamètre de la brosse-rouleau	in (mm)	9 (230)
Diamètre du balai latéral	in (mm)	9.85 (250)

Cuve à poussière

Volume de la cuve à poussière (brut)	gal/lbs (l/kg)	5.28/33 (20/15)
--------------------------------------	----------------	-----------------

Filtre et système d'aspiration

Système filtrant		Filtre plat plissé
Surface de filtration	ft ² (m ²)	1022 (0,95)

Valeurs déterminées selon EN 60335-2-72

Valeur de vibrations main-bras	m/s ²	< 2,5
Niveau de pression acoustique L _{pA}	dB(A)	56

Sous réserve de modifications techniques.

c Allumer l'appareil avec l'interrupteur Marche/Arrêt.

- Vérifier les éventuelles bandes enroulées de la brosse-rouleau / du balai latéral.
- Vérifier la courroie.
- Fermer complètement le capot de l'appareil (interrupteur de capot).

Poussière lors du balayage / puissance d'aspiration insuffisante

- Vider la cuve à poussière.
- Vérifier/remplacer les joints sur la cassette filtrante et la cuve à poussière.
- Vérifier/nettoyer/remplacer le filtre à poussière et le préfiltre.
 - Vérifier que le filtre à poussière et le préfiltre sont correctement installés.
 - Nettoyer le filtre à poussière et le préfiltre s'ils sont légèrement sales.
 - Remplacer le filtre à poussière et le préfiltre en cas de dommage ou d'encrassement important.
- Contrôler l'usure / régler / remplacer les barres d'étanchéité.
- Soufflerie défectueuse, contacter le service client.

Puissance de balayage non satisfaisante

- Ajuster correctement le rétroviseur de balayage de la brosse-rouleau et du balai latéral.
- Remplacer la brosse-rouleau et le balai latéral s'ils sont trop usés.
- Contrôler l'usure des barres d'étanchéité, les régler / remplacer si besoin.

Accessoires / pièces de rechange

Vous trouverez ci-après la vue d'ensemble (un extrait) des pièces d'usure ou des accessoires disponibles en option.

Accessoires	Description	Référence
Balai latéral	Pour les revêtements textiles intérieurs	5.032-221.0
Brosse-rouleau	Pour les revêtements textiles intérieurs	4.762-642.0
Filtre à poussière	Filtre plat plissé (PTFE)	6.907-449.0
Préfiltre		5.745-280.0
Sachet de recyclage	Lot de 10 sachets pour le recyclage	2.884-358.0
Batterie de rechange « Battery Power+ 36/75 DW »	Batterie hautes performances 36 V, 7,5 Ah	2.445-075.0
Chargeur « Battery Power + »	Chargeur rapide 36 V	2.445-053.0

Índice de contenidos

INSTRUCCIONES IMPORTANTES DE SEGURIDAD	20
NORMAS Y PRÁCTICAS DE SEGURIDAD PARA EL FUNCIONAMIENTO	20
MANTENIMIENTO Y PRÁCTICAS DE RECONSTRUCCIÓN	21
NORMA DE SEGURIDAD CONTRA INCENDIOS	21
Avisos generales.....	21
Uso previsto.....	22
Funcionamiento	22
Descripción del equipo.....	23
Puesta en funcionamiento	24
Servicio	25
Transporte.....	25
Almacenamiento	26
Cuidado y mantenimiento	26
Ayuda en caso de fallos.....	27
Accesorios/recambios.....	28
Datos técnicos	28

INSTRUCCIONES IMPORTANTES DE SEGURIDAD

LEER TODAS LAS INSTRUCCIONES ANTES DE USAR ESTE APARATO

⚠ ADVERTENCIA

Para reducir el peligro de incendio, choque eléctrico o lesión:

NO DEJAR el aparato sin vigilancia cuando se enchufe. Desenchufar de la toma cuando no se esté usando y antes del mantenimiento.

⚠ ADVERTENCIA

PARA REDUCIR EL PELIGRO DE CHOQUE ELÉCTRICO UTILIZAR ÚNICAMENTE EN INTERIORES

- No deje que el equipo se utilice como si fuera un juguete. Cuando niños usan el equipo o cuando el equipo se encuentra cerca de niños, hay que extremar la precaución.
- Utilizar únicamente como se describe en este manual. Utilizar únicamente los accesorios recomendados por el fabricante.
- No utilizar con un cable o conector dañados. Si la unidad no está funcionando como debería, se ha caído, dañado, dejado al aire libre o caído al agua, devolver a un centro de servicio.
- No tirar del cable o llevar mediante el cable, no usar el cable como asa, no cerrar una puerta en el cable o tirar del cable alrededor de bordes o esquinas afilados. No pasar el aparato por encima del cable. Mantener el cable alejado de superficies calientes.
- **NO TIRAR DEL CONECTOR DE RED TIRANDO DE LA TOMA DE TIERRA DEL CABLE DE CONEXIÓN DE RED.** Para desconectar la red eléctrica, tirar del conector de red, no del cable de conexión de red.
- No manipular el conector o el aparato con las manos mojadas.
- No introduzca objetos en las aberturas. No utilice el equipo si las aberturas están obstruidas. Asegúrese de mantenerlas libres de polvo, pelusa, pelo y cualquier cosa que pueda obstruir el flujo de aire.
- Mantener alejado PELO, ROPA, SUCIEDAD SUELTA, DEDOS y todas partes del cuerpo de las aberturas y piezas móviles.
- Desconectar todos los controles antes de desenchufar.
- Tenga especial cuidado cuando limpie escaleras.
- No utilice el equipo para absorber líquidos inflamables o combustibles, como gasolina, y no lo utilice en áreas donde dichos líquidos puedan estar presentes.
- Conectar únicamente a una toma que esté puesta a tierra correctamente. Véanse las Instrucciones de puesta a tierra.
- Desconectar siempre el cable de la toma eléctrica antes de realizar el mantenimiento del dispositivo.

- No barrer nunca líquidos explosivos, gases combustibles o ácidos y disolventes no diluidos. Esto incluye gasolina, disolvente o gasóleo que pueden generar humos o mezclas explosivas al entrar en contacto con el aire. También se deben evitar la acetona, los ácidos sin diluir y los disolventes porque pueden dañar los materiales de la máquina.
- No aspirar objetos ardiendo o humeantes.

INSTRUCCIONES DE PUESTA A TIERRA

Este dispositivo debe estar puesto a tierra. En caso de un fallo de funcionamiento o avería, la conexión a tierra proporciona un camino de menor resistencia para que la corriente eléctrica reduzca el peligro de choque eléctrico.

Este dispositivo está equipado con un cable que tiene un conductor de puesta a tierra y un conector de puesta a tierra.

El conector debe estar conectado a una toma apropiada que esté instalada y puesta a tierra correctamente conforme a todos los códigos y ordenanzas locales.

⚠ PELIGRO

Una conexión incorrecta del conductor de puesta a tierra puede provocar riesgo de electrocución.

Consultar con un electricista o personal de servicio en caso de dudas acerca la puesta a tierra correcta de la toma.

No modificar el conector que se suministra con el producto. Si no encaja en la toma, contratar a un electricista para instalar correctamente la toma.

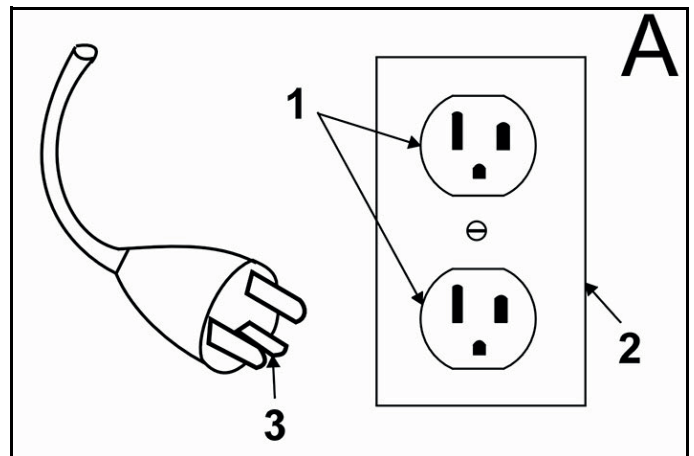
No usar ningún tipo de adaptador con este producto.

Este aparato es para uso en un circuito nominal de 120 voltios y tiene un conector de puesta a tierra parecido al conector que se ilustra en el dibujo A.

Garantizar que el aparato está conectado a una toma que tenga la misma configuración que el conector.

No se debe usar ningún adaptador con este aparato.

CONECTAR ÚNICAMENTE A UNA TOMA PUESTA A TIERRA CORRECTAMENTE



- ① Toma puesta a tierra
- ② Caja de distribución puesta a tierra
- ③ Pivote puesto a tierra

NORMAS Y PRÁCTICAS DE SEGURIDAD PARA EL FUNCIONAMIENTO

Responsabilidades del propietario/usuario

El propietario y/o el usuario deben comprender bien las instrucciones de servicio y advertencias del fabricante antes de empezar a utilizar este limpiador de alta presión.

Debe prestarse especial atención y tener muy claras las advertencias.

Si el operador no habla bien el español, el propietario/comprador debe responsabilizarse de leer y comentar las instrucciones y las advertencias en su lengua natal, y asegurarse de que entienda a la perfección su contenido.

El propietario y/o el usuario deben leer y guardar como referencia para el futuro las instrucciones del fabricante.

Generalidades

Antes de poner en funcionamiento la unidad, ésta deberá encontrarse en la posición de servicio.

No arrancar ni poner en funcionamiento la unidad, cualquiera de sus funciones o complementos, en otro sitio que no sea la posición designada de operario.

Antes de dejar la posición del operario:

- 1 parar completamente el equipo;
- 2 si el equipo tiene que estar en una inclinación, bloquear las ruedas.

Mantenerse a una distancia segura del borde de rampas, plataformas y otras superficies de trabajo.

No realice modificaciones ni añadidos al equipo.

No bloquear el acceso a las salidas de emergencias de incendios, escaleras o equipo antiincendios.

Conducción

Ceder el paso a peatones y vehículos de emergencias como ambulancias o camiones de bomberos.

Cruce vías de tren en ángulo siempre que sea posible. No aparcar a menos de 1800 mm de la vía del tren.

Mantener una buena vista del camino por el que conduce y prestar atención al tráfico, personal y seguridad.

Operar el equipo siempre a una velocidad que permita parar de manera segura.

No permita realizar escenas peligrosas ni jugar con el equipo.

Reducir la velocidad en suelos húmedos y resbaladizos. Antes de conducir sobre un muelle o puente, asegúrese de que esté bien seguro. Conduzca con cuidado y lentamente por el muelle o puente, y no exceda nunca la capacidad indicada.

Al sortear curvas, reduzca la velocidad a un nivel seguro de acuerdo con el ambiente de funcionamiento. Sortear las curvas con cuidado.

Cuidados del equipo realizados por el operario

Si el equipo necesita ser reparado o es inseguro, o favorece una situación insegura, se deberá informar del problema inmediatamente al encargado designado por el usuario, y no se pondrá en funcionamiento el equipo hasta que se recupere el estado de funcionamiento seguro.

Si el equipo se vuelve inseguro de cualquier modo durante su funcionamiento, se deberá informar del problema inmediatamente al encargado designado por el usuario, y no se pondrá en funcionamiento el equipo hasta que se recupere el estado de funcionamiento seguro.

No realizar reparaciones o ajustes a no ser que se autorizó específicamente.

MANTENIMIENTO Y PRÁCTICAS DE RECONSTRUCCIÓN

El funcionamiento del equipo puede resultar peligroso si no realiza el mantenimiento o se llevan a cabo reparaciones, reconstrucciones o ajustes que no correspondan con los criterios de diseño del fabricante. Por lo tanto, se deben poner a disposición lugares de mantenimiento (en el mismo local o en otro lugar), personal cualificado, y procedimientos detallados.

El mantenimiento e inspección de la unidad se realizará de acuerdo con las siguientes prácticas:

- 1 a un mantenimiento planificado, le seguirán lubricación e inspección del sistema: consulte las recomendaciones del fabricante.
- 2 Sólo se permitirá operar un aparato para limpieza de suelos motorizado a personas formadas y autorizadas. Los operarios de aparatos de limpieza de suelos motorizados deberán estar cualificados y tener la capacidad visual, auditiva, física y mental para operar equipos de forma segura.

Evitar los riesgos de incendios y tener equipo de protección de incendios en el área de trabajo. No usar recipientes abiertos de fuel o líquidos inflamables de limpieza para las limpiar las piezas.

NORMA DE SEGURIDAD CONTRA INCENDIOS

Cualquier unidad que no esté en un estado de funcionamiento seguro será retirada de servicio.

No se realizarán reparaciones en ubicaciones de clase I, clase II y clase III.

Prevención de incendios. Se mantendrá el equipo limpio y sin pelusas, exceso de aceite y grasa en la medida de lo posible.

Es preferible utilizar productos no combustibles para limpiar el equipo. No está permitido utilizar líquidos inflamables [aquellos que tengan puntos de inflamación de o superior a 37,8°C (100°F)]. Se deberá tomar precauciones ante la toxicidad, ventilación e incendios con el producto o disolvente usado.

Visibilidad de la placa identificadora. Las denominaciones de tipo de equipo se indican en la placa identificadora y no se deben cubrir las marcas de tipo con pintura para que no se vea la información de identificación.

Avisos generales



Antes de poner en marcha por primera vez el equipo, lea este manual de instrucciones y el capítulo Instrucciones de seguridad. Actúe conforme a estos documentos.

Conserve estos documentos para su uso posterior o para propietarios ulteriores.

Comprobación del suministro

Si detecta desperfectos en la entrega del vehículo debe comunicárselos inmediatamente a su distribuidor o concesionario.

Protección del medioambiente



Los materiales del embalaje son reciclables. Elimine los embalajes de forma respetuosa con el medioambiente.



Los equipos eléctricos y electrónicos contienen materiales reciclables y, a menudo, componentes, como baterías, acumuladores o aceite, que suponen un riesgo potencial para la salud de las personas o el medioambiente en caso de manipularse o eliminarse de forma inadecuada. Sin embargo, dichos componentes son necesarios para un servicio adecuado del equipo. Los equipos identificados con este símbolo no pueden eliminarse con la basura doméstica.

Avisos sobre sustancias contenidas (REACH)

Encontrará información actual sobre las sustancias contenidas en: www.kaercher.com/REACH

Garantía

En cada país se aplican las condiciones de garantía indicadas por nuestra compañía distribuidora autorizada. Subsanaamos cualquier fallo en su equipo de forma gratuita dentro del plazo de garantía siempre que la causa se deba a un fallo de fabricación o material. En caso de garantía, póngase en contacto con su distribuidor o con el servicio de postventa autorizado más próximo presentando la factura de compra.

(Dirección en el reverso)

Accesorios y recambios

Utilice únicamente accesorios y recambios originales, estos garantizan un servicio seguro y fiable del equipo.

Encontrará información sobre los accesorios y recambios en www.kaercher.com.

Niveles de peligro

⚠ PELIGRO

- Aviso de un peligro inminente que produce lesiones corporales graves o la muerte.

⚠ ADVERTENCIA

- Aviso de una posible situación peligrosa que puede producir lesiones corporales graves o la muerte.



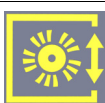


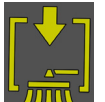
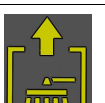
⚠ PRECAUCIÓN


- Aviso de una posible situación peligrosa que puede producir lesiones corporales leves.

CUIDADO

- Aviso de una posible situación peligrosa que puede producir daños materiales.

Símbolos en el equipo

	<p>⚠ PELIGRO Peligro de quemaduras por superficies calientes <i>Deje que el equipo se enfríe lo suficiente antes de realizar trabajos en él o abrir las cubiertas.</i></p>
	<p>⚠ PELIGRO Peligro de lesiones y aplastamiento debido a las piezas móviles de la máquina y a la correa de accionamiento giratoria. <i>Espere a que todos los componentes del equipo se hayan detenido por completo antes de abrir la cubierta y no introduzca las manos en el interior del equipo durante su funcionamiento.</i></p>
	Indicador de presión de empuje del cepillo cilíndrico de barrido (superficie de barrido)
	Elevación del cepillo cilíndrico de barrido
	Descenso del cepillo cilíndrico de barrido
	Descenso del cepillo lateral
	Elevación del cepillo lateral

	El equipo se suministra con un filtro plegado plano de fieltro de poliéster con recubrimiento de PTFE (tipo de polvo M).
---	--

Uso previsto

Este equipo con funcionamiento con baterías es una barredora para la limpieza de alfombras y diferentes suelos textiles en interiores. Tiene un cepillo cilíndrico de barrido antiestático y un filtro de polvo incorporado.

Este equipo está diseñado únicamente para usarse en seco.

La barredora ha sido concebida para el uso comercial.

Utilizar la barredora únicamente de conformidad con las indicaciones del presente manual de instrucciones. Cualquier uso distinto al especificado será considerado uso no previsto. El fabricante no asume ninguna responsabilidad por los daños derivados de dicho uso no previsto. El usuario asume todos los riesgos.

No está permitido realizar modificaciones en la barredora.

Solo se deben recorrer y limpiar las superficies autorizadas por la empresa o sus representantes.

Usos erróneos previsibles

Este equipo está diseñado únicamente para usarse en seco y no debe usarse ni colocarse en exteriores en condiciones de humedad.

El equipo no ha sido concebido para circular por terrenos inclinados.

No barra ni aspire nunca líquidos explosivos, gases, ácidos no diluidos ni disolventes (p. ej. gasolina, diluyente, gasóleo) ya que, en combinación con el aire de aspiración, forman vapores o mezclas explosivas.

No barra ni aspire nunca acetona, ácidos ni disolventes no diluidos, ya que atacan y dañan los materiales empleados en el equipo.

No barra ni aspire nunca polvos reactivos de metal (p. ej. aluminio, magnesio, cinc), ya que en combinación con detergentes muy alcalinos o ácidos forman gases explosivos.

No barra ni aspire nunca objetos en llamas o candentes, ya que existe peligro de incendio.

No barra sustancias perjudiciales para la salud.

Está prohibida la estancia en zonas de peligro. Queda prohibido el uso en espacios con peligro de explosión.

No está permitido empujar/tirar/transportar objetos con este equipo.

Superficies adecuadas para el barrido

Grandes superficies textiles, por ejemplo, en:

- Oficinas
- Hoteles
- Tiendas
- Casinos
- Aeropuertos
- Pistas de tenis
- Salas de exposiciones

Funcionamiento

La barredora funciona según el principio de rotación.

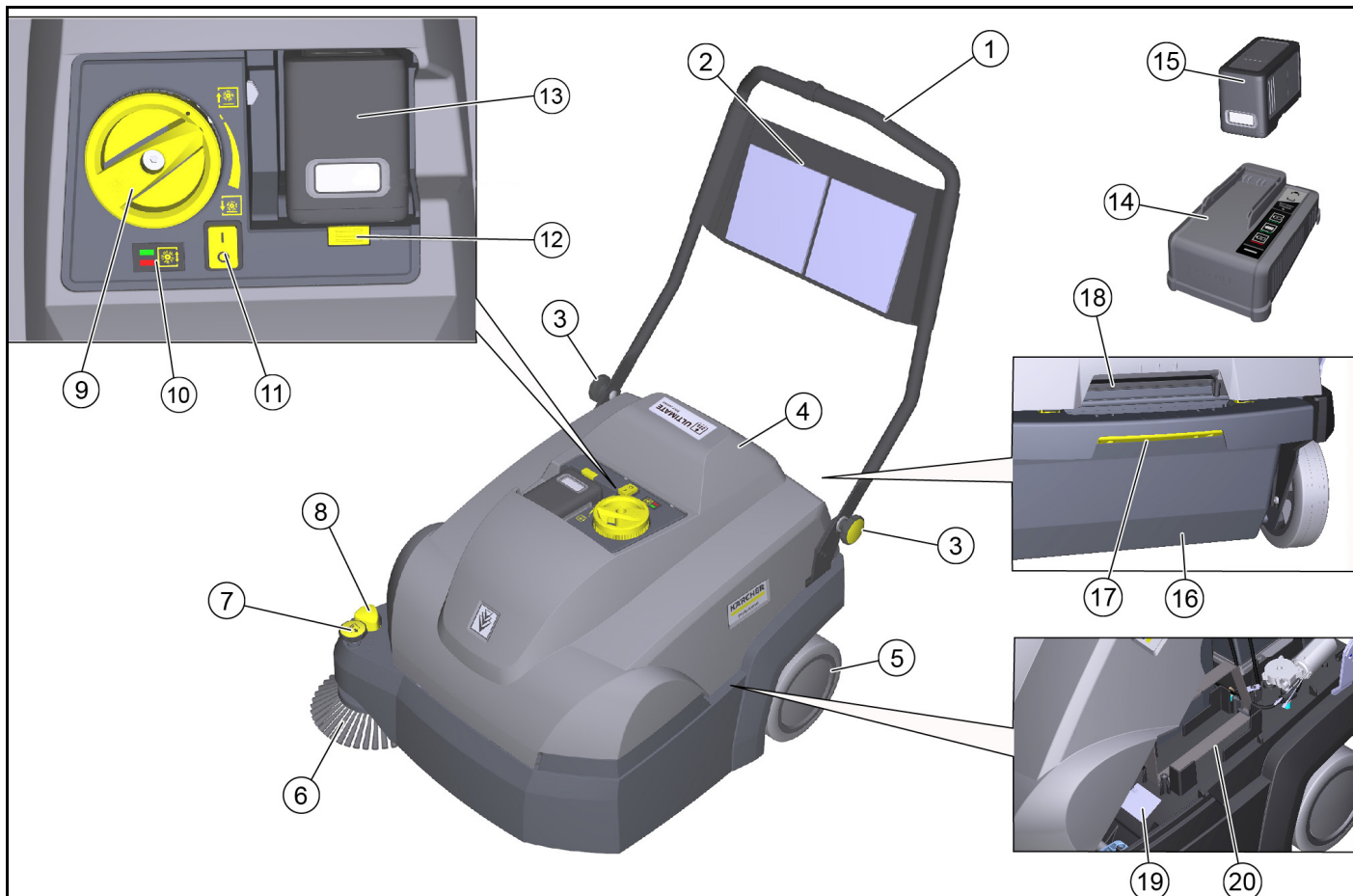
1. El cepillo lateral de rotación limpia las esquinas y los bordes de la superficie de barrido y desplaza la suciedad barrida a la trayectoria del cepillo cilíndrico de barrido.
2. El cepillo cilíndrico de barrido de rotación lleva la suciedad barrida directamente al recipiente para la suciedad.
3. El polvo que se levanta en el recipiente para la suciedad se separa mediante un filtro de polvo y un filtro previo y el ventilador aspira el aire limpio filtrado.
4. El filtro previo se limpia automáticamente después de un tiempo especificado cuando se conecta el equipo y durante el trabajo.
5. Las ruedas traseras que sobresalen permiten el transporte cómodo en escaleras.
6. La suciedad recogida se transporta al recipiente para la suciedad. El recipiente para la suciedad puede equiparse opcionalmente con una bolsa para eliminación de residuos.

Descripción del equipo

• CVS 65/1 Bp Pack (1.517-302.0)

Batería y cargador incluidos en el alcance del suministro

Ilustración



- ① Asa de empuje
- ② Red de almacenamiento (no para batería de repuesto)
- ③ Tornillos de anclaje para el ajuste del asa de empuje (2 uds.)
- ④ Tapa del equipo
- ⑤ Rueda trasera (2 uds.)
- ⑥ Cepillo lateral derecho
- ⑦ Ajuste del cepillo lateral
 - Ajustar la presión de empuje
 - Elevar el cepillo lateral
- ⑧ Bajada del cepillo lateral
- ⑨ Ajuste de presión de empuje del cepillo cilíndrico de barrido (superficie de barrido)
- ⑩ Indicador de presión de empuje del cepillo cilíndrico de barrido
 - El LED no se ilumina: seguir bajando el cepillo cilíndrico de barrido
 - LED verde: ajuste correcto
 - LED rojo: elevar el cepillo cilíndrico de barrido
- ⑪ Interruptor on/off
- ⑫ Desbloqueo de la batería
- ⑬ Compartimiento de la batería
- ⑭ Cargador «Battery Power+»
- ⑮ Batería «Battery Power+ 36/75»
- ⑯ Recipiente para la suciedad, extraíble
 - En el recipiente para la suciedad se puede introducir una bolsa para eliminación de residuos (opcional).
- ⑰ Desbloqueo del recipiente para la suciedad
- ⑱ Retráctil tapa del equipo
- ⑲ Placa de características
- ⑳ Compartimento para batería de repuesto (con cinta de retención)

Dispositivos de seguridad

Los dispositivos de seguridad sirven para proteger al usuario, y no deben inhabilitarse ni obviarse.

Tenga en cuenta las instrucciones de seguridad de los respectivos apartados.

Interruptor de la tapa

El interruptor de la tapa bloquea el arranque del equipo con la tapa del equipo abierta.

Interruptor on/off

El interruptor on/off impide el arranque involuntario del equipo. Desconectar el interruptor on/off al apagar el equipo o en caso de peligro.

Sistema electrónico

Si el cepillo cilíndrico de barrido está sobrecargado, la electrónica apaga el equipo y el LED parpadea.

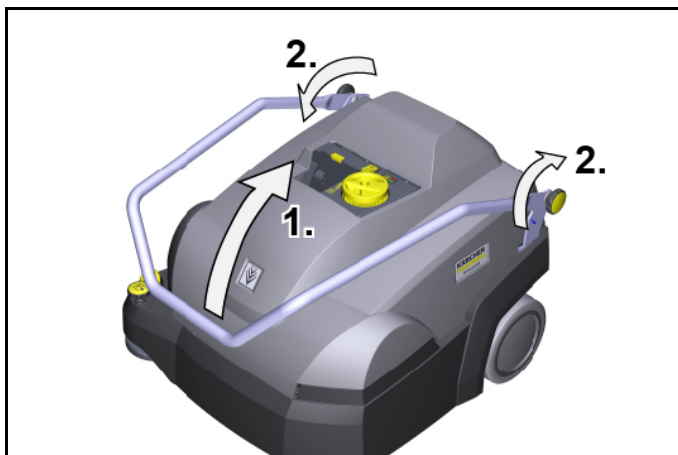
En este caso, desconectar el equipo con el interruptor on/off y, antes de volver a encenderlo, girar el cepillo cilíndrico de barrido completamente hacia arriba utilizando el ajuste de presión de empuje.

Puesta en funcionamiento

Ajuste del asa de empuje

Nota

Cuando se entrega el equipo, el asa de empuje está plegada. Se puede ajustar a 3 alturas diferentes para trabajar.



1. Levantar el asa de empuje a la posición deseada. Asegurarse de que las ranuras encajen correctamente en los pernos (fijación).
2. Apretar los tornillos de anclaje a mano.

Abrir/cerrar la tapa del equipo

⚠ PRECAUCIÓN

Peligro de aplastamiento si los dedos quedan atrapados

Al abrir y cerrar la tapa del equipo, cogerlo por el retráctil previsto para ello.

CUIDADO

Peligro de quemaduras por motor de accionamiento caliente
El motor de accionamiento puede calentarse durante el funcionamiento.

No toque las superficies calientes. Preste atención a los símbolos de advertencia.

Nota

Es necesario abrir la tapa del equipo:

- Para trabajos de mantenimiento y limpieza
- Para limpiar el filtro de polvo y el filtro previo
- Para almacenar una batería de repuesto.

1. Abrir la tapa del equipo: Sujetar la tapa del equipo por el retráctil y girarla por completo lentamente hacia delante. Una cinta sujeta la tapa del equipo.
2. Cerrar la tapa del equipo: Girar lentamente la tapa del equipo hacia atrás.

Montaje del cepillo lateral

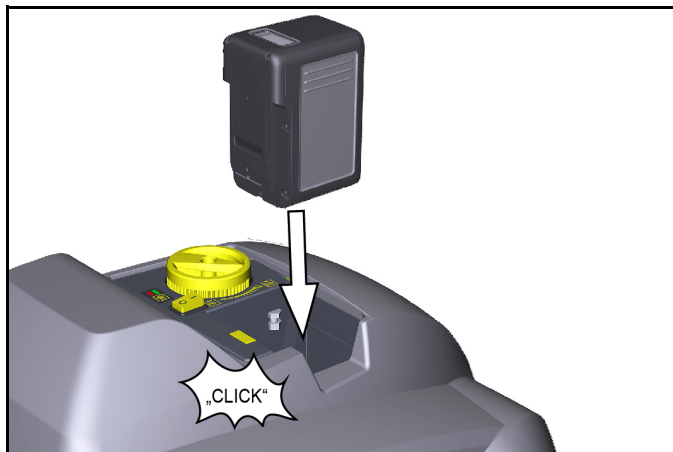
El cepillo lateral se suministra junto con el equipo y debe fijarse al equipo antes de su puesta en funcionamiento.

Véase el capítulo «Cambiar los cepillos laterales».

Carga/colocación de la batería

Cargar la batería antes de la puesta en funcionamiento.

En el manual de instrucciones separado para la batería y el cargador se encuentra una descripción al respecto.

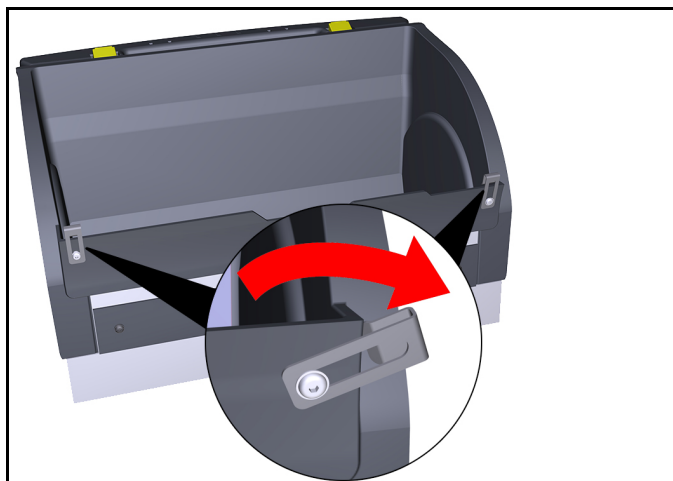


1. Inserte la batería cargada en el alojamiento de la batería, empujela hacia adentro tanto como sea posible y encájela.

Bolsa para eliminación de residuos (opcional)

Con el fin de eliminar la suciedad barrida de forma fácil y segura, se puede introducir una bolsa para eliminación de residuos en el recipiente para la suciedad.

1. Accionar el bloqueo del recipiente para la suciedad (tirar hacia atrás).
2. Inclinar hacia atrás el recipiente para la suciedad y extraerlo.
3. Mover las pinzas de fijación de la parte delantera del recipiente para la suciedad hacia fuera.



4. Colocar la bolsa para eliminación de residuos en el recipiente para la suciedad y fijarla a los bordes.



5. Volver a cerrar las pinzas de fijación.
6. Colocar el recipiente para la suciedad y empujarlo completamente hacia delante.
7. Comprobar si el recipiente para la suciedad está correctamente encajado.

Servicio

Indicaciones relativas al funcionamiento de barrido

⚠ PRECAUCIÓN

Peligro de daños

Realizar los trabajos de limpieza en dirección de marcha hacia adelante.

No ejecute trabajos de limpieza con el recipiente para la suciedad desmontado.

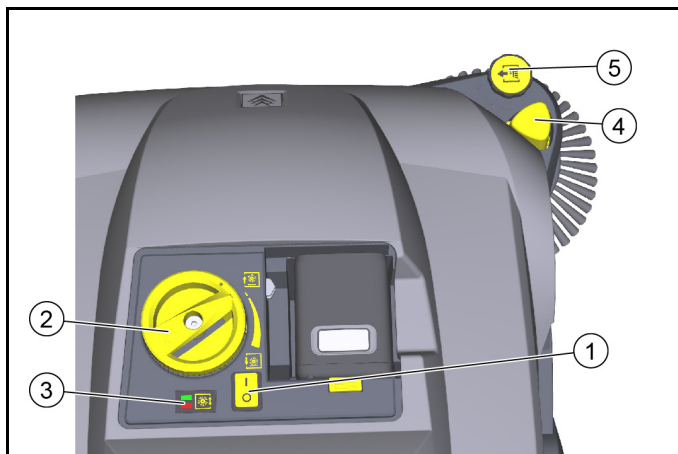
No deje que el equipo funcione en esa zona con el cepillo cilíndrico de barrido encendido.

No barra flejes, cordones o similares (daños en el sistema mecánico de barrido).

Nota

Adapte la velocidad de barrido según las circunstancias para obtener un resultado de limpieza óptimo.

Barrido con cepillo cilíndrico de barrido y cepillos laterales



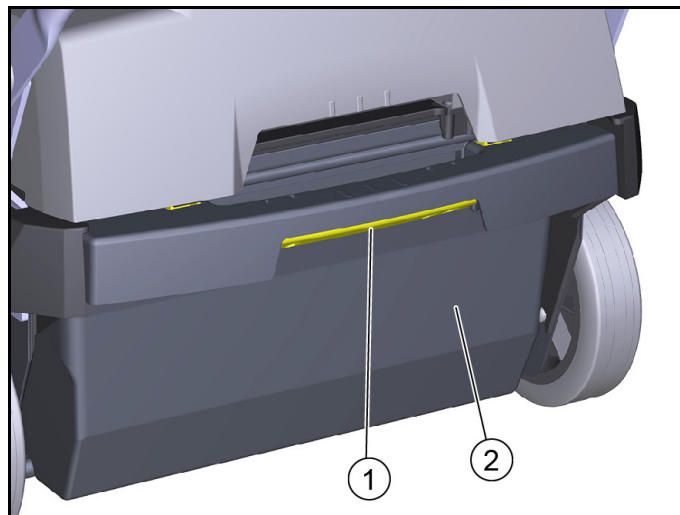
- ① Interruptor on/off
 - ② Ajuste de presión de empuje del cepillo cilíndrico de barrido (empuñadura giratoria)
 - ③ Indicador de presión de empuje del cepillo cilíndrico de barrido
 - El LED no se ilumina: seguir bajando el cepillo cilíndrico de barrido
 - LED verde: ajuste correcto
 - LED rojo: elevar el cepillo cilíndrico de barrido
 - ④ Bajada del cepillo lateral
 - ⑤ Ajuste del cepillo lateral
 - Ajustar la presión de empuje
 - Elevar el cepillo lateral
1. Conectar el equipo con el interruptor on/off (posición I).
 - a El cepillo cilíndrico de barrido y el cepillo lateral giran.
 2. Empujar el equipo hacia adelante por el asa de empuje y comenzar la limpieza. Utilizar el ajuste de presión de empuje del cepillo cilíndrico de barrido en función del suelo textil.
 - a Para realizar el ajuste, elevar la empuñadura giratoria y girarla a continuación.
 - b La presión de empuje correcta se indica mediante un LED verde.
 3. Para limpiar en zonas cercanas al borde, bajar el cepillo lateral presionando "Descenso del cepillo lateral".
 - a Si es necesario, usar el ajuste del cepillo lateral y ajustar la presión de empuje.
 4. Para recoger objetos más grandes (20 mm), presionar el asa de empuje ligeramente hacia abajo para que el cepillo cilíndrico de barrido pueda transportar los objetos al recipiente para la suciedad.
 5. La limpieza automática del filtro previo garantiza un trabajo continuo.
 6. Recargar siempre la batería a tiempo.
 - a Durante el funcionamiento de barrido, el indicador de la batería muestra el tiempo restante en minutos.

- b Cuando el equipo está apagado, la carga de la batería se muestra en %.

Detención y desconexión del equipo

1. Para finalizar el trabajo, apagar el equipo con el interruptor on/off (posición 0).
2. Depositar el equipo sobre una superficie plana.
3. Elevar la empuñadura giratoria del cepillo cilíndrico de barrido y girarla completamente hacia arriba en sentido antihorario.
4. Levantar el cepillo lateral bajado por el ajuste. El cepillo lateral se enclava.
5. Vacíe el recipiente para la suciedad.
6. Limpiar el filtro de polvo y el filtro previo.
7. Cargue la batería.

Vaciado del recipiente para la suciedad



- ① Bloqueo del recipiente para la suciedad
 - ② Recipiente para la suciedad
1. Accionar el bloqueo del recipiente para la suciedad (tirar hacia atrás).
 2. Inclinar hacia atrás el recipiente para la suciedad y extraerlo.
 3. Vaciar el recipiente para la suciedad o retirar la bolsa para eliminación de residuos (opcional).
 4. Colocar el recipiente para la suciedad y empujarlo completamente hacia delante. Si es necesario, introducir previamente la bolsa para eliminación de residuos (opcional) tal y como se describe en el capítulo «Bolsa para eliminación de residuos (opcional)».
 5. Comprobar si el recipiente para la suciedad está correctamente encajado.

Transporte

⚠ PRECAUCIÓN

Riesgo de daños y lesiones

Tenga en cuenta el peso del equipo durante el transporte.

1. Desconectar el equipo con el interruptor on/off.
2. Elevar la empuñadura giratoria del cepillo cilíndrico de barrido y girarla completamente hacia arriba en sentido antihorario.
3. Asegurar el equipo a las ruedas con cuñas.
4. Asegurar el equipo con cuerdas o correas de sujeción.
 - a En la parte delantera del marco debajo de la tapa del equipo.
 - b En la parte trasera en el área de fijación del asa de empuje.
5. Al transportar el equipo en vehículos, asegurarlo para evitar que resbale y vuelque conforme a las directrices vigentes.

Almacenamiento

⚠ **ADVERTENCIA**

Riesgo de daños y lesiones

Tenga en cuenta el peso del equipo.

1. Deposite el equipo en un lugar seco, nivelado y protegido.
2. Retirar la batería.
 - a Observar los avisos en el manual de instrucciones de la batería relacionados con el almacenamiento.
3. Limpiar el interior y el exterior del equipo.
4. Elevar la empuñadura giratoria del cepillo cilíndrico de barrido y girarla completamente hacia arriba en sentido antihorario.

Cuidado y mantenimiento

Avisos generales

⚠ **PELIGRO**

Peligro de lesiones y accidentes por movimiento involuntario del equipo

Antes de realizar cualquier trabajo de mantenimiento o conservación, desconectar el equipo y retirar la batería.

Limpieza del equipo

⚠ **PRECAUCIÓN**

Peligro de cortocircuito debido a chorro de agua

No limpie el equipo con mangueras o agua de alta presión.

⚠ **PELIGRO**

Riesgo para la salud debido al polvo

Lleve una máscara antipolvo y gafas al realizar tareas de limpieza con aire comprimido.

CUIDADO

Peligro de daños de las superficies

No emplee detergentes agresivos ni abrasivos para la limpieza.

1. Sople el interior del equipo con aire comprimido.
2. Limpie el equipo por dentro y por fuera con un paño humedecido en lejía suave.

Intervalos de mantenimiento

Mantenimiento por parte del cliente

Nota

Todos los trabajos de mantenimiento y servicio deben ser llevados a cabo por personal especialista cualificado, si lo necesita, puede ponerse en contacto con una tienda especializada de Kärcher.

- **Mantenimiento diario**
 - 1 Compruebe si hay cintas enrolladas en el cepillo cilíndrico de barrido y los cepillos laterales.
 - 2 Compruebe el funcionamiento de los elementos de control.
- **Mantenimiento semanal**
 - 1 Compruebe si las piezas móviles se mueven con facilidad.
 - 2 Compruebe el ajuste y el desgaste de los cubrejuntas en el área de barrido.
 - 3 Compruebe el nivel de desgaste del cepillo cilíndrico de barrido y los cepillos laterales.
 - 4 Comprobar el cartucho filtrante y, dado el caso, limpiar el filtro previo.
 - 5 Comprobar el filtro de polvo y, dado el caso, limpiarlo (en función de la frecuencia de uso, aproximadamente cada 10 horas).
- **Mantenimiento mensual**
 - 1 Desmontar el cepillo cilíndrico de barrido y eliminar la suciedad del pivote de accionamiento (véase el capítulo "Comprobación/sustitución del cepillo cilíndrico de barrido")
- **Mantenimiento tras desgaste**
 - 1 Reajustar o cambiar las cubrejuntas.
 - 2 sustituir el cepillo cilíndrico de barrido.
 - 3 Sustituya los cepillos laterales.

Nota

Para más descripciones, véase el capítulo «Trabajos de mantenimiento».

Mantenimiento por parte del servicio de postventa

Nota

Para mantener la garantía, durante la duración de esta, el servicio de postventa autorizado debe realizar todos los trabajos de mantenimiento.

- 1 Dejar que se realicen trabajos de mantenimiento de conformidad con la lista de comprobación para la inspección.

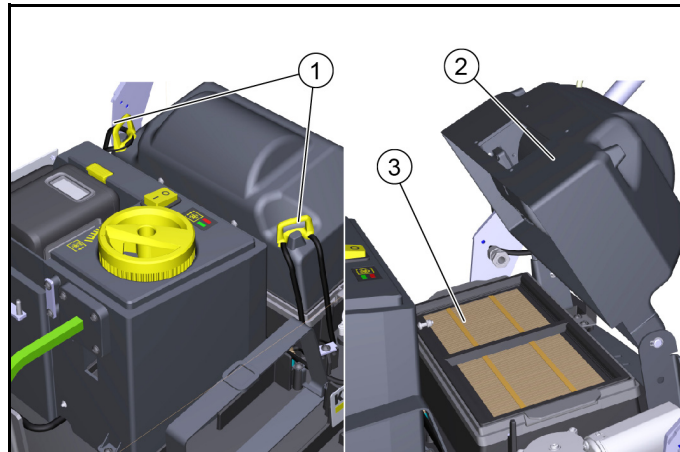
Trabajos de mantenimiento

Limpieza/sustitución del filtro de polvo

⚠ **PELIGRO**

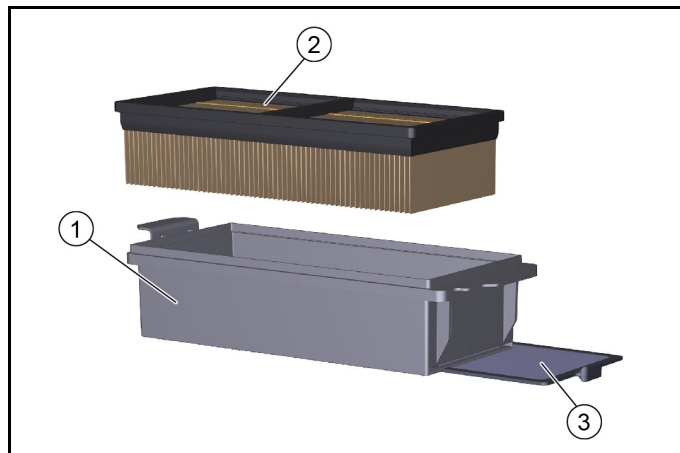
Riesgo para la salud debido al polvo

Llevar una máscara antipolvo y gafas al realizar tareas en la instalación de los filtros.



- ① Bloqueos (2)
- ② Tapa de la carcasa del filtro
- ③ Cartucho filtrante

1. Parar el equipo y desconectarlo por el interruptor on/off.
2. Abrir la tapa del equipo.
3. Abrir los cierres.
4. Girar la tapa hacia arriba.
5. Extraer hacia arriba el cartucho filtrante con el filtro de polvo.



- ① Cartucho filtrante
 - ② Filtro de polvo
 - ③ Filtro previo, extraíble
6. Comprobar el filtro de polvo y el filtro previo.
 - a Aspirar el filtro de polvo para limpiarlo o sacudirlo junto con el cartucho filtrante (no lavar).
 - b Extraer y limpiar el filtro previo.
 7. Comprobar y limpiar el rascador de filtro.
 8. Utilizar un filtro de polvo o un filtro previo nuevo si está dañado o muy sucio.
 9. Tener en cuenta el sentido de montaje del cartucho filtrante durante la instalación.

Cambio del cepillo lateral

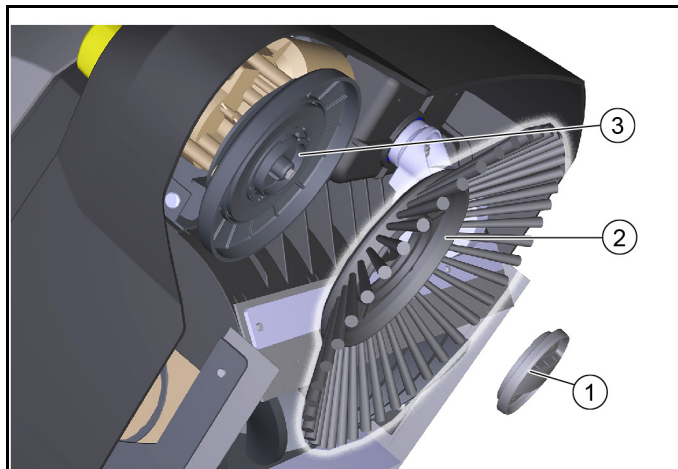
Se describe cómo cambiar el cepillo lateral cuando el equipo está inclinado.

CUIDADO

Peligro de lesiones y daños

Retire la batería y el recipiente para la suciedad antes de inclinar el equipo.

Asegure el equipo inclinado antes de cambiar el cepillo lateral.



- ① Cierre
- ② Cepillos laterales
- ③ Alojamiento

1. Extraer el recipiente para la suciedad.
2. Extraer la batería.
3. Inclinar el equipo hacia atrás y asegurarlo contra vuelcos.
4. Desatornillar el cierre del lado inferior.
 - a Abrir: girar en sentido antihorario
 - b Cerrar: girar en sentido horario
5. Desmonte los cepillos laterales.
6. Si es necesario, limpie el alojamiento.
7. Insertar el nuevo cepillo lateral en el alojamiento y fijarlo con el cierre.

Comprobación/sustitución del cepillo cilíndrico de barrido

Realizar la comprobación y sustitución del cepillo cilíndrico de barrido con el equipo inclinado.

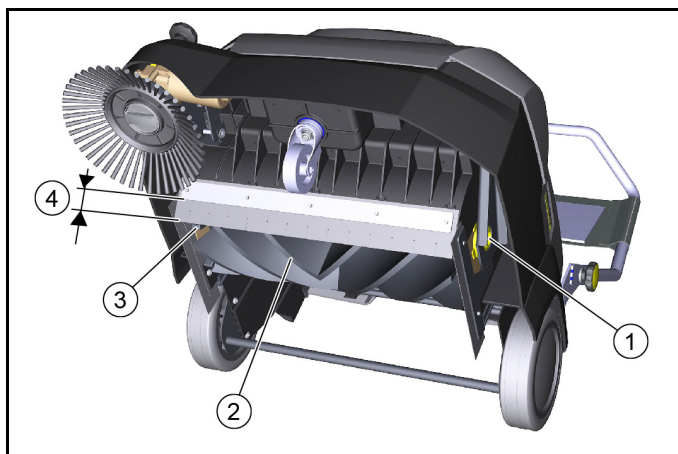
CUIDADO

Peligro de lesiones y daños

Retirar la batería y el recipiente para la suciedad antes de inclinar el equipo.

Asegurar el equipo inclinado antes de cambiar el cepillo cilíndrico de barrido.

Al insertar el nuevo cepillo cilíndrico de barrido, asegurarse de que no haya cerdas atrapadas en el orificio del balanceo del cepillo cilíndrico de barrido.



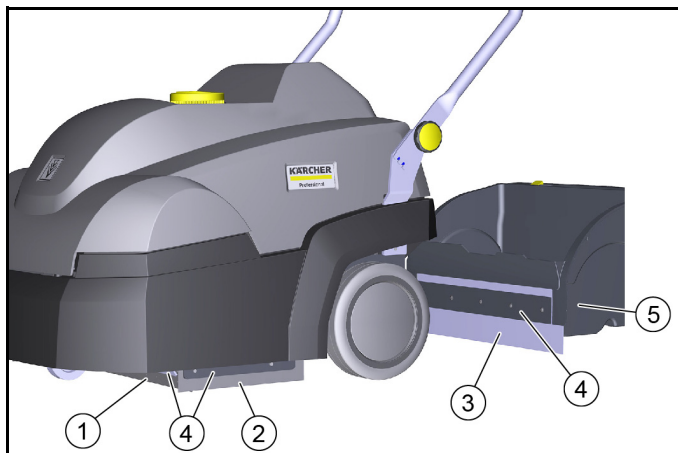
- ① Semicojinete
- ② Cepillo cilíndrico de barrido

- ③ Pivote de accionamiento
- ④ Distancia entre el cubrejuntas y la chapa de sujeción – Nominal: 28-30 mm

1. Extraer la batería.
2. Extraer el recipiente para la suciedad.
3. Inclinar el equipo hacia atrás y asegurarlo contra vuelcos.
4. Retirar las cintas y cordones enrollados del cepillo cilíndrico de barrido.
5. Eliminar la suciedad del pivote de accionamiento.
6. Para sustituir el cepillo cilíndrico de barrido, sujetarlo por el cuerpo base, presionarlo hacia la izquierda y tirar de él hacia abajo.
7. Colocar el nuevo cepillo cilíndrico de barrido en el pivote de accionamiento (izquierda). En el lado opuesto, enclavar el semicojinete en el orificio del balanceo del cepillo cilíndrico de barrido.
8. Comprobar el ajuste del cubrejuntas delantero con el equipo aún inclinado y reajustar en caso necesario.

Sustitución/ajuste del cubrejuntas

Cubrejuntas	Valores de ajuste
Cubrejuntas laterales	Distancia al suelo 1-2 mm
Cubrejuntas delantero	Distancia entre el cubrejuntas y la chapa de sujeción 28-30 mm
Cubrejuntas trasero	no ajustable



- ① Cubrejuntas delantero
- ② Cubrejuntas lateral
- ③ Cubrejuntas trasero (no ajustable)
- ④ Fijación
- ⑤ Recipiente para la suciedad

1. Soltar la fijación de los cubrejuntas.
2. Ajustar el cubrejuntas desplazándolo en el orificio longitudinal.
 - a Para consultar los valores, véase la tabla.
3. Si los ajustes son correctos, fijar el cubrejuntas.

Ayuda en caso de fallos

Nota

En caso de cualquier avería no enumerada, póngase en contacto con el servicio de postventa (asistencia técnica).

El cepillo cilíndrico de barrido/cepillo lateral no funciona o no lo hace correctamente

- Conectar el interruptor on/off (posición I).
- Cargar la batería.
- Enclavar correctamente la batería.
- La electrónica ha apagado el equipo debido a una sobrecarga (el LED parpadea). Al conectarlo de nuevo, tener en cuenta lo siguiente:
 - a Desconectar el equipo con el interruptor on/off.
 - b Elevar el cepillo cilíndrico de barrido levantando la empuñadura giratoria y girándola completamente hacia arriba en sentido antihorario.
 - c Conectar el equipo en el interruptor on/off.

- Compruebe si hay cintas enrolladas en el cepillo cilíndrico de barrido/los cepillos laterales.
- Controlar la correa.
- Cerrar completamente la tapa del equipo (interruptor de la tapa).

Polvo al barrer o potencia de aspiración insuficiente

- Vacíe el recipiente para la suciedad.
- Comprobar/sustituir las juntas del cartucho filtrante y el recipiente para la suciedad.
- Comprobar/limpiar/sustituir el filtro de polvo y el filtro previo.
 - a Comprobar el asiento correcto del filtro de polvo y el filtro previo.
 - b Limpiar el filtro de polvo y el filtro previo si están ligeramente sucios.
 - c Sustituir el filtro de polvo y el filtro previo en caso de que esté dañado o muy sucio.
- Compruebe el desgaste, ajuste o sustituya los cubrejuntas.
- Ventilador defectuoso, contactar con el servicio de postventa.

Potencia de barrido no satisfactoria

- Ajuste correctamente la superficie de barrido del cepillo cilíndrico de barrido y el cepillo lateral en el mecanismo de ajuste.
- El cepillo cilíndrico de barrido y el cepillo lateral están demasiado desgastados, sustituirlos.
- Compruebe el desgaste de los cubrejuntas, y ajústelos o sustitúyalos si es necesario.

Accesorios/recambios

A continuación se presenta (en resumen) una vista general de piezas de desgaste o accesorios disponibles de manera opcional.

Accesorios	Descripción	N.º de pedido
Cepillos laterales	Para recubrimientos textiles en interiores	5.032-221.0
Cepillo cilíndrico de barrido	Para recubrimientos textiles en interiores	4.762-642.0
Filtro de polvo	Filtro plegado plano (PTFE)	6.907-449.0
Filtro previo		5.745-280.0
Bolsa para eliminación de residuos	10 uds. Juego de bolsas para eliminación de residuos.	2.884-358.0
Batería de repuesto «Battery Power+ 36/75 DW»	Batería de alto rendimiento 36 V, 7,5 Ah	2.445-075.0
Cargador «Battery Power+»	Cargador rápido 36 V	2.445-053.0

Datos técnicos

Datos de potencia del equipo

		1.517-302.0
Tiempo de funcionamiento con batería totalmente cargada	Minutos	Hasta 60
Ancho útil	in (mm)	17.7 (450)
Ancho útil con 1 cepillos laterales	in (mm)	24.6 (625)

Rendimiento teórico en superficie

Rendimiento en superficie (máx.)	ft ² /h (m ² /h)	26900 (2500)
----------------------------------	--	--------------

Batería

Tipo de batería		iones de litio
Capacidad de la batería	Ah	7,5
Tensión de funcionamiento de la batería	V	36

Condiciones ambientales

Temperatura ambiente	°F (°C)	32 ... 104 (0 ... 40)
Humedad del aire, sin formación de rocío	%	0 - 90

Peso y dimensiones

Longitud	in (mm)	38.6 (980)
Anchura	in (mm)	26.6 (675)
Altura	in (mm)	42.1 (1070)

Tara (peso para el transporte)	lbs (kg)	85.8 (39)
Peso total admisible	lbs (kg)	118.8 (54)
Cepillo cilíndrico de barrido ancho	in (mm)	17.7 (450)
Diámetro del cepillo cilíndrico de barrido	in (mm)	9 (230)
Diámetro de cepillo lateral	in (mm)	9.85 (250)

Recipiente para la suciedad

Volumen del recipiente para la suciedad (bruto)	gal/lbs (l/kg)	5.28/33 (20/15)
---	----------------	-----------------

Filtro y sistema de aspiración

Sistema de filtros		Filtro plegado plano
Superficie de filtrado	ft ² (m ²)	1022 (0,95)

Valores calculados conforme a EN 60335-2-72

Nivel de vibraciones mano-brazo	m/s ²	< 2,5
Nivel de presión acústica L _{pA}	dB(A)	56

Reservado el derecho a realizar modificaciones.



THANK YOU!
MERCI! DANKE! ¡GRACIAS!



Register your product and benefit from many advantages.

Enregistrez votre produit et bénéficiez de nombreux avantages.

Registre su producto y aproveche de muchas ventajas.

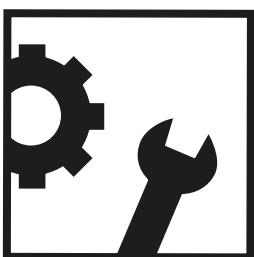
www.kaercher.com/welcome



Rate your product and tell us your opinion.

Évaluer votre produit et dites-nous votre opinion. Reseñe

su producto y díganos su opinión.



www.kaercher.com/dealersearch

Alfred Kärcher SE & Co. KG
Alfred-Kärcher-Str. 28-40
71364 Winnenden (Germany)

