

WV 6 Premium D500

English	2
Français	16
Español	31



**Register
your product**
www.kaercher.com/welcome



59698590 (01/22)

Contents

IMPORTANT SAFETY INSTRUCTIONS	2
Customer Service	5
Scope of delivery	5
Accessories and spare parts.....	5
Technical data	6
Description of the unit	7
Assembling the device	8
Initial startup.....	8
Operation	10
Storage	12
Care and service.....	12
Troubleshooting guide.....	14
Disposal	15

IMPORTANT SAFETY INSTRUCTIONS

Observe all basic precautions when using the device, including the following:

READ ALL INSTRUCTIONS BEFORE USING THIS MACHINE

For home use only!

WARNING

- Read all safety warnings and instructions.

Failure to follow the warnings and instructions may result in electric shock, fire and/or serious injury.

WARNING

- To reduce the risk of fire, electric shock, or injury:
- Disconnect the charger from the mains socket if not in use and before performing maintenance work on the device or charger.
- To reduce the risk of electric shock:
- Do not expose to rain. Store indoors.

- Do not allow to be used as a toy. Close attention is necessary when used by or near children.
- Use only as described in this manual. Use only manufacturer's recommended attachments.
- Do not use with damaged battery charger output cord or plug. If appliance is not working as it should, has been dropped, damaged, left outdoors, or dropped into water, contact customer service.
- Do not pull or carry by the battery charger output cord, do not use battery charger output cord as a handle, do not close a door on the battery charger output cord, or pull battery charger output cord around sharp edges or corners. Do not run appliance over battery charger output cord. Keep battery charger output cord away from heated surfaces.
- Prevent unintentional starting. Ensure the switch is in off-position before picking up or carrying the appliance. Carrying the appliance with your fingers on the switch or energizing appliance that have the switch on invites accidents.
- Have servicing performed by a qualified repair person using only identical replacement parts. This will ensure that the safety of the product is maintained.
- Unless otherwise stated in the instructions for use and care, do not modify or repair the device or the battery.
- Do not unplug by pulling battery charger output cord. To unplug, grasp plug.
- Do not handle battery charger or appliance with wet hands.
- Do not put any objects into openings. Do not use if openings are

blocked; keep free of dust, lint, hair, and anything that may reduce air flow.

- Keep hair, loose clothing, fingers, and all parts of the body away from openings and moving parts.
- Use extra care when cleaning on stairs.
- Do not use to pick up flammable or combustible liquids, such as gasoline, or use in areas where they may be present.
- Do not charge the unit outdoors.
- Use only the charger supplied by the manufacturer to charge the device.
- Do not incinerate the device, even if it is severely damaged. The battery could catch fire and explode.
- Do not use to pick up toxic material (chlorine bleach, ammonia, drain cleaner, etc).
- Do not pick up anything that is burning or smoking such as cigarettes, matches, or hot ashes.
- Do not immerse. Use only on surfaces moistened by the cleaning process.
- Short circuit hazard! Do not insert conductive objects (such as screwdrivers or similar) into the charger plug.
- Disconnect the charger from the electrical outlet when not in use as well as before carrying out any maintenance work on the charger or device.
- In case of visual damage, replace the charger with original manufacturer suggested parts.
- If misused, liquid can leak out of the battery. The escaping liquid can cause skin irritation or burns. Do not touch this. If you accidentally touch it, rinse the affected area with water.

If the liquid comes into contact with the eyes, seek medical help.

- Do not use a damaged or modified battery or a damaged or modified device. Unpredictable processes can occur in damaged or modified batteries, which can lead to fire, explosions or injuries.
- Charge the device using only the charger specified by the manufacturer. When using a charger designed for a specific type of battery, there is a risk of fire if this is used with a different battery.
- Follow all charging instructions and only charge the battery or device within the temperature range specified in the instructions. Incorrect charging or charging outside the specified temperature range can damage the battery and increase the risk of fire.
- The voltage indicated on the type plate must correspond to the supply voltage.
- Do not expose a battery or device to flames or excessive temperatures. Contact with flames or a temperature above 130 °C can lead to explosions.
- Only store the charger in dry rooms at an ambient temperature of 41-104 °F (5-40 °C) and only use it under these conditions.
- Only store the device in dry rooms at an ambient temperature of 41-104 °F (5-40 °C) and only use it under these conditions.
- Never touch the mains plug with wet hands.
- Do not make any modifications to the battery.
- The battery has been tested in accordance with the relevant regula-

tions for international transport and can be transported / delivered.

ATTENTION

- The device is equipped with internal thermal protection to protect against overheating. The device switches off when the thermal protection is activated. Upon activation of the thermal protection, proceed as follows:

- 1 Switch off the device and unplug the charger from the mains socket.
- 2 Check the nozzles and inlet openings for obstructions (clogging). Remove any obstructions if present.
- 3 Allow the motor to cool down for 30 minutes. Do not plug in the charger. The thermal protection is deactivated once the motor has cooled down.

You must have the device serviced if the thermal protection does not automatically deactivate after performing this step.

SAVE THESE INSTRUCTIONS

Hazard levels

DANGER

- Indication of an imminent threat of danger that will lead to severe injuries or even death.

WARNING

- Indication of a potentially dangerous situation that may lead to severe injuries or even death.

CAUTION

- Indication of a potentially dangerous situation that may lead to minor injuries.

ATTENTION

- Indication of a potentially dangerous situation that may lead to damage to property.

Symbols on the device

Device type:

- 1.633-533.0

Use the following charger:

- 6.654-453.0



Charge the battery only using the original charger enclosed or with a charger approved by KÄRCHER.



WARNING - To reduce the risk of injury, fire or explosion: Read the instruction manual

Intended use

The battery-powered appliance is designed for cleaning moist, smooth surfaces such as windows, mirrors or tiles. Observe the safety instructions.

- Never use the device for vacuuming dust.
- The device can vacuum up to 0.8 oz (25 ml) of fluid from horizontal surfaces, e.g. from a toppled drinking glass.
- Only use the appliance with the following detergents: RM 500, RM 503, RM 508.
- Only use the device with accessories and spare parts approved by KÄRCHER.

All uses other than this shall be regarded as not being in accordance with its intended use. The manufacturer is not responsible for any resultant damage; The risk for this is borne by the user alone.

Owner/User Responsibility

The owner and/or user must have an understanding of the manufacturer's operating instructions and warnings before using this device

Warning information should be emphasized and understood.

If the operator is not fluent in English, the manufacturer's instructions and warnings shall be read to and discussed with the operator in the operator's native language by the purchaser/owner, making sure that the operator comprehends its contents. Owner and/or user must study and maintain for future reference the manufacturer's instructions.

Customer Service

Registration

Your device must be registered in order to help with any questions or issues that you have. You can register your device at www.karcher-register.com if located in the U.S.A., www.karcher.ca if located in Canada, or www.karcher.com/mx if located in Mexico.

Warranty

In the case of a warranty claim, you can contact customer support. Please see the contact information listed below for either the USA, Canada, or Mexico. You **MUST** provide your proof of purchase in order to file a warranty claim either via email, phone, or fax.

USA Customer Service

You can contact our Customer Service department by phone at **1-800-537-4129** or via the website at www.karcher-help.com.

Canada Customer Service

You can contact our Customer Service department by phone at **1-800-465-4980** or via the website at www.karcher.com/ca.

Mexico Customer Service

You can contact our Customer Service department by phone at **01-800-024-13-13** or via the website at www.karcher.com/mx.

Scope of delivery

The scope of delivery for the appliance is shown on the packaging. During unpacking, check the contents for completeness. If any accessories are missing or in the event of any shipping damage, please notify our Customer Service department as stated above either by phone or via the website.

Accessories and spare parts

Only use original accessories and original spare parts. They ensure that the appliance will run fault-free and safely. Information on accessories and spare parts can be found at www.karcher.com.

Technical data

Electrical connection

Battery type		Li-Ion
Nominal voltage of battery	V	3,65
Nominal voltage of charger	V	5,5
Nominal current of charger	mA	2000
Charging time for an empty battery	Minutes	170
Protection class		IPX4

Dimensions and weights

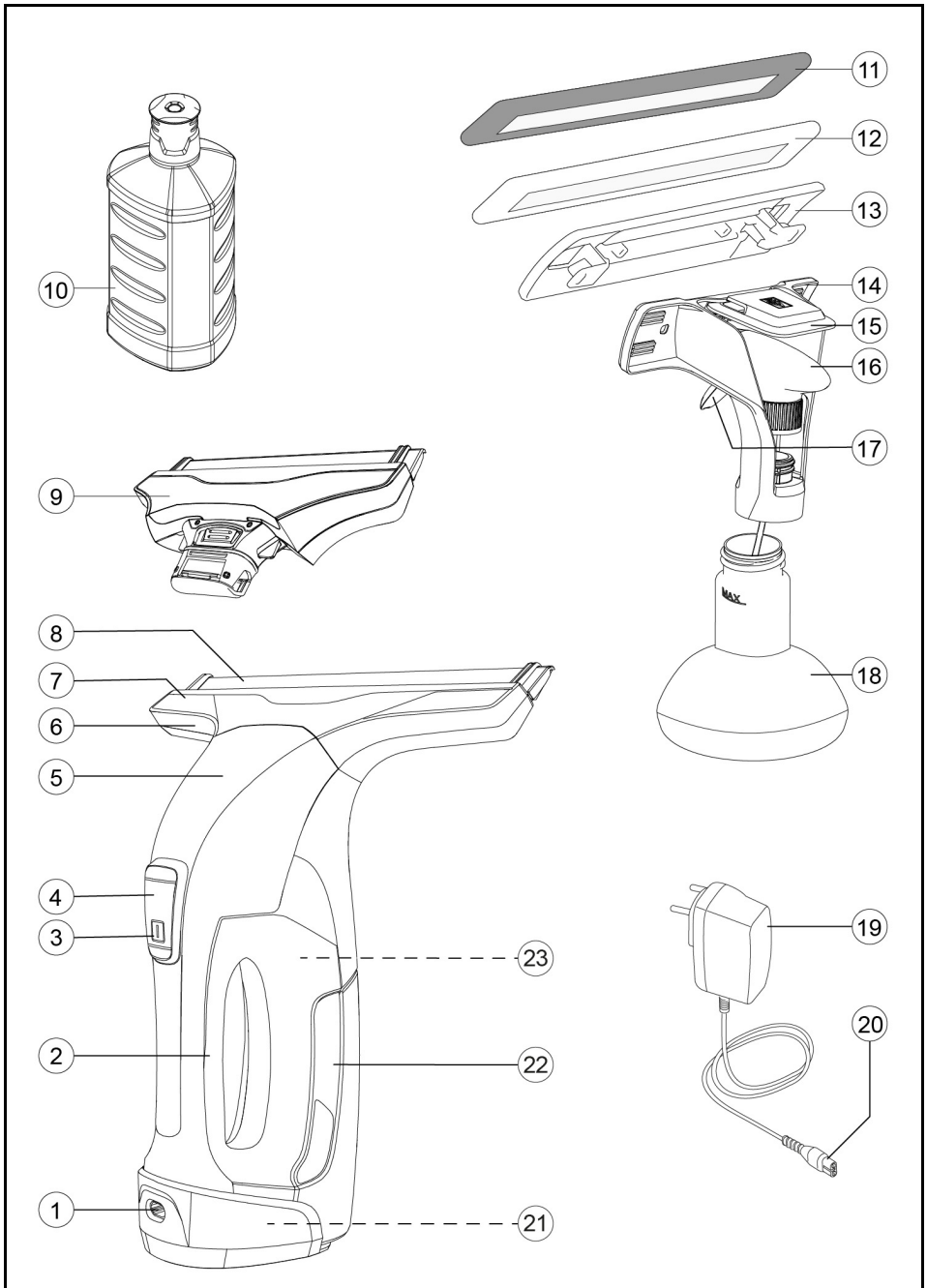
Weight	lbs (kg)	1,8 (0,8)
Waste water tank volume	oz (ml)	5,01 (150)

Device performance data

Nominal power	W	10
Operating duration with a fully charged battery	Minutes	100
Sound pressure level (EN 60704-2-1)	dB(A)	52

Subject to technical changes without notice.

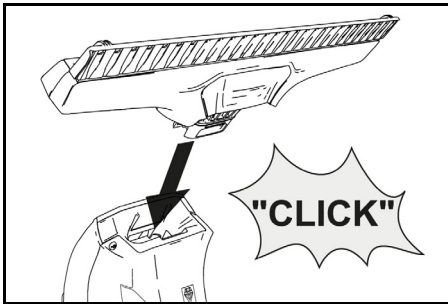
Description of the unit



- ① Charging socket
- ② Handle
- ③ Trigger ("ON" / "OFF")
- ④ LED display
- ⑤ Separator
- ⑥ Suction nozzle
- ⑦ Clamping rail
- ⑧ Squeegee blade
- ⑨ Narrow suction nozzle
- ⑩ Detergent
- ⑪ Microfiber wipe cover (outdoors)
- ⑫ Microfiber wipe cover (indoors)
- ⑬ Adapter
- ⑭ Place the wiping attachment
- ⑮ Coarse dirt scraper
- ⑯ Spray head
- ⑰ Spray lever
- ⑱ Spray bottle
- ⑲ Charger
- ⑳ Connection plug
- ㉑ Type plate (only visible when the waste water tank is removed)
- ㉒ Waste water tank
- ㉓ Waste water tank cap (only visible when the waste water tank is removed)

Assembling the device

1. Insert the suction nozzle into the separator until the suction nozzle audibly latches into place. Use the narrow suction nozzle for small narrow surfaces.



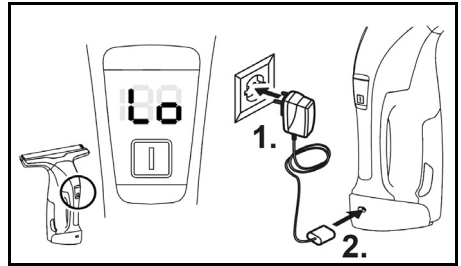
Initial startup

Battery charging

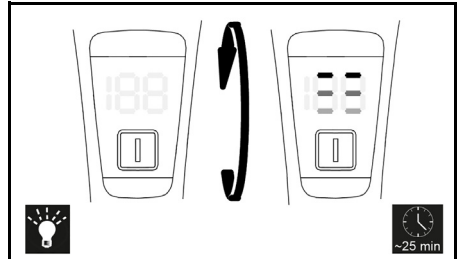
Note

The device is supplied with a discharged battery. Fully charge the battery before using the device for the first time.

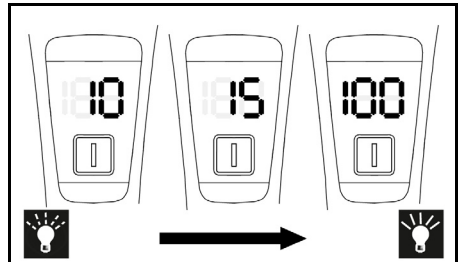
1. Plug the charger into a mains socket.



2. Plug the connecting plug into the charging socket on the device.
3. The charging process is indicated for approx. 25 min by the status bar running upwards.



4. The device runtime in minutes that is already available flashes in the LED display.

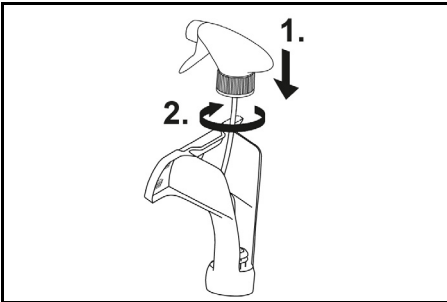


When the device is fully charged, "100" is shown in the LED display for 60 minutes and then it goes out. The charging process takes more than 170 minutes when charging the device for the first time.

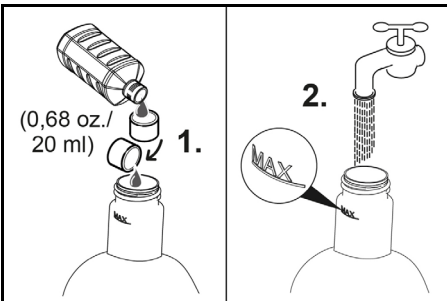
The device is ready for use.

Preparing the spray bottle

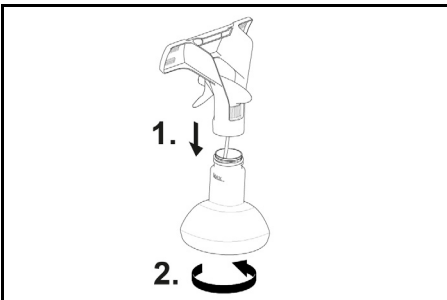
1. Fit the spray head on the wiping attachment.



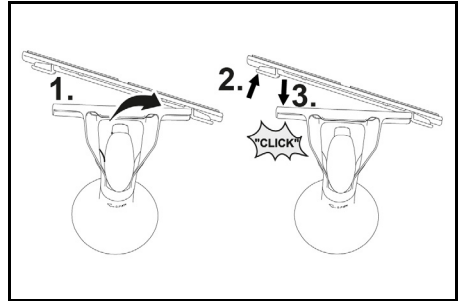
2. Fill 1 cap (approx. 0.68 oz / 20 ml) of detergent into the spray bottle.



3. Pour clean water slowly into the spray bottle up to the MAX mark.
4. Close the spray bottle.

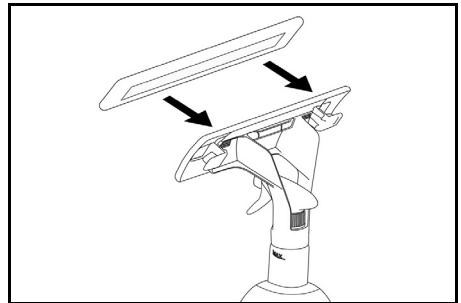


5. Attach the adapter to the wiping attachment on the right and snap it into place on the left.

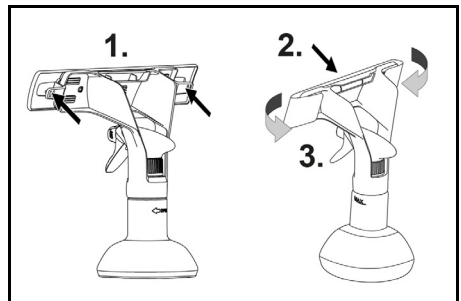


6. Fit the microfiber wipe cover on the adapter.

Use the pale microfiber wipe cover indoors and the dark microfiber wipe cover outdoors.



7. Disengage and remove the adapter on the wiping attachment for small areas.

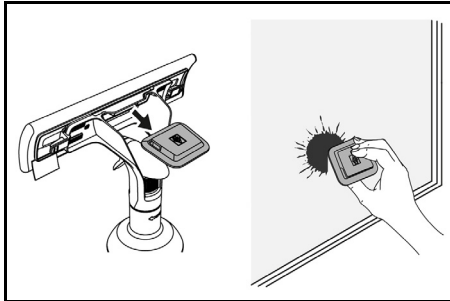


8. Attach the microfiber wipe cover to the wiping attachment and fold it back to the side.

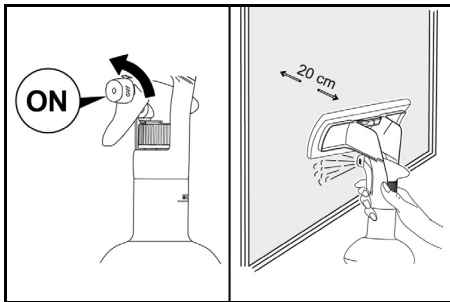
Operation

Starting operation

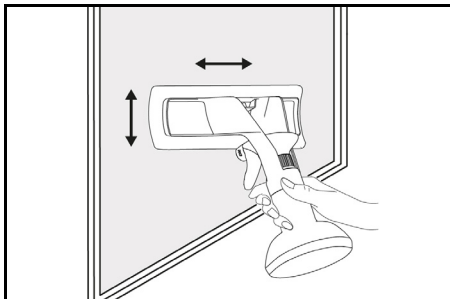
1. Pull the coarse dirt scraper across the wiping attachment to remove heavy soiling (such as dried bird droppings).



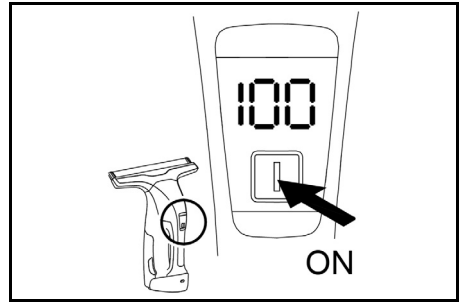
2. Set the spray nozzle to the "ON" position



3. Press the spray lever and spray the window cleaner evenly onto the surface to be cleaned from a distance of 8 in. (20 cm).
4. Loosen the dirt using the microfiber wipe cover.



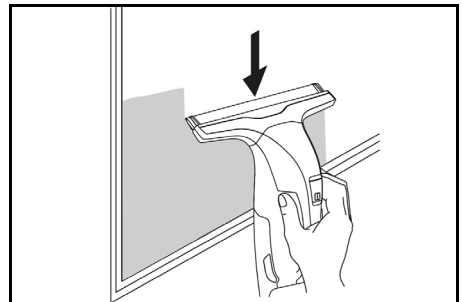
5. Set the trigger to the "ON" position.



The device switches on.

The remaining run time in minutes is displayed.

6. Pull the squeegee blade over the surface to be cleaned to vacuum up the waste water.



Note

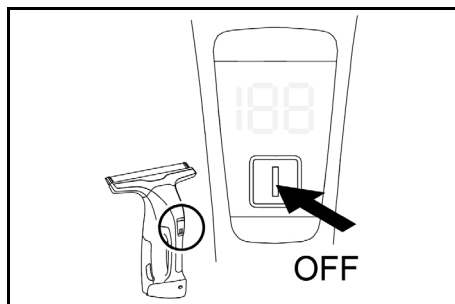
Only work with the device until the MAX mark of the waste water tank is reached. Switch off the device and empty the waste water tank (see chapter *Emptying the waste water tank*). Observe the following points to prevent streaks appearing:

- Only glide the squeegee blade over the surface to be cleaned, do not press too hard.
- Hold the device at the correct angle to the surface to be vacuumed. The distance between the lower end of the device and the surface should be approx. 4 in. (10 cm).

- Use only a KÄRCHER detergent because this is specially developed for use with the device.
- Spray a sufficient quantity of window cleaner onto the surface so that it is not too dry.
- Clean the squeegee blade regularly (see chapter *Cleaning the squeegee blade, suction nozzle and coarse dirt scraper*).
- Replace the squeegee blade when worn (see chapter *Cleaning the squeegee blade, suction nozzle and coarse dirt scraper*).
- Do not perform cleaning work under direct sunlight or when the weather is too hot.

Interrupting operation

1. Set the power switch to "OFF".

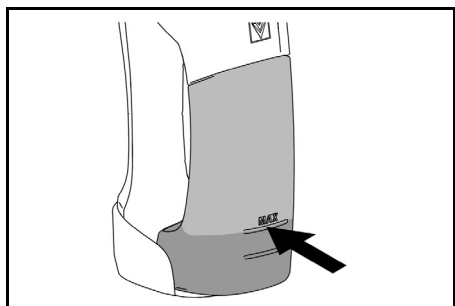


The device switches off.

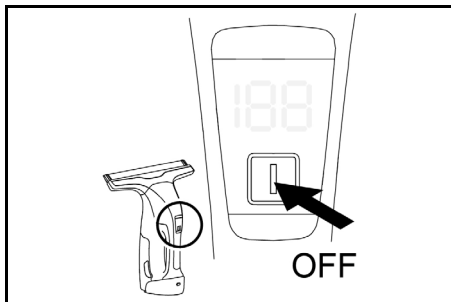
2. Place the device on a level surface.

Emptying the waste water tank

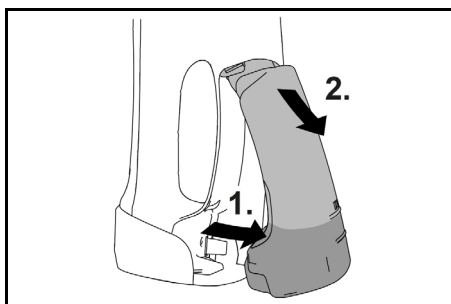
Empty the waste water tank when it is filled up to the MAX mark.



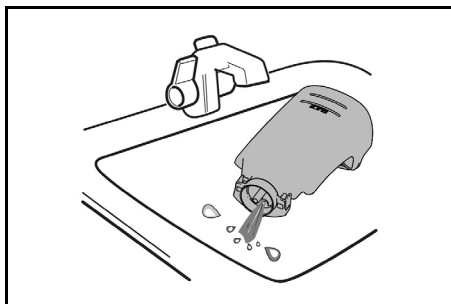
1. Switch off the device.



2. Remove the waste water tank.



3. Empty the waste water tank and rinse with clear water.



4. Insert the waste water tank into the device.

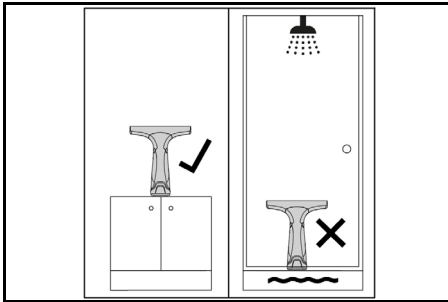
Finishing operation

1. Switch off the device.
2. Clean the waste water tank (see chapter *Cleaning the waste water tank*).
3. Clean the microfiber wipe cover (see chapter *Cleaning the microfiber wipe cover*).

- Clean the squeegee blade, suction nozzle and coarse dirt scraper (see chapter *Cleaning the squeegee blade, suction nozzle and coarse dirt scraper*).
- Allow the device to dry.
- Assemble the device.
- Charge the battery if necessary (see chapter *Battery charging*).

Storage

- Store the cleaned device upright in a clean, dry place that is protected from dust.



Care and service

⚠ WARNING

Incorrect cleaning

Risk of fire, injury, electric shock

Switch off the device.

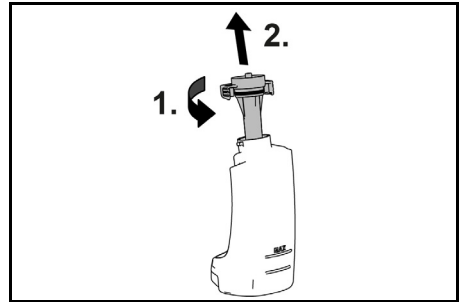
Pull the connecting plug out of the charging socket.

Never clean the device under running water.

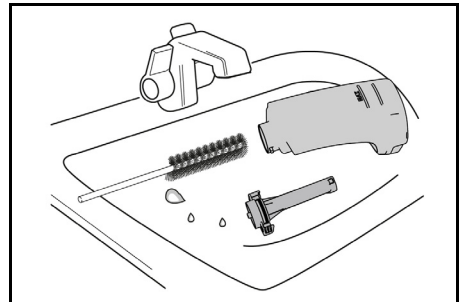
Cleaning the waste water tank

- Empty the waste water tank (see chapter *Emptying the waste water tank*).

- Remove the cap on the waste water tank.

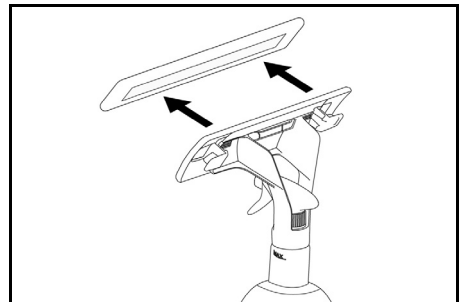


- Clean the waste water tank and the cap by hand.



Cleaning the microfiber wipe cover

- Remove the microfiber wipe cover from the wiping attachment or adapter.



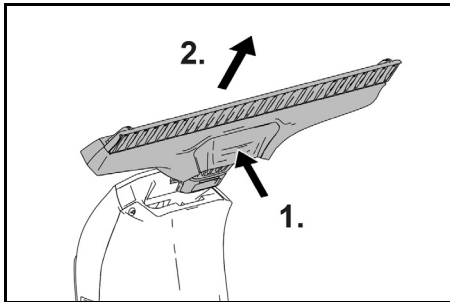
- Wash the microfiber wipe cover under running water.
- The microfiber wipe cover can be alternatively cleaned in a washing machine at temperatures of up to 140 °F (60 °C).

Observe the following instructions on caring for the device:

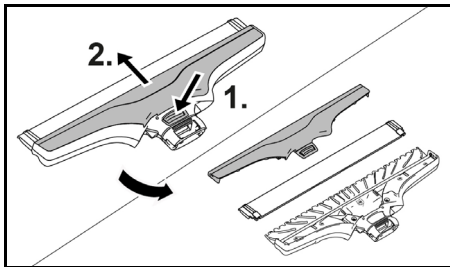
- Do not use fabric softeners.
- Do not bleach the microfiber wipe cover.
- Do not dry the microfiber wipe cover in a dryer.
- Do not iron the microfiber wipe cover.

Cleaning the squeegee blade, suction nozzle and coarse dirt scraper

1. Switch off the device.
2. Press the unlocking button at the bottom of the suction nozzle and pull the suction nozzle off the device.

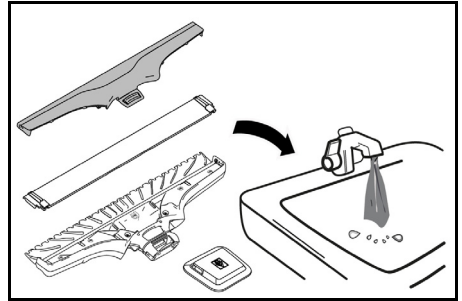


3. Press the unlocking button at the top of the suction nozzle and slide the clamping rail off the suction nozzle.

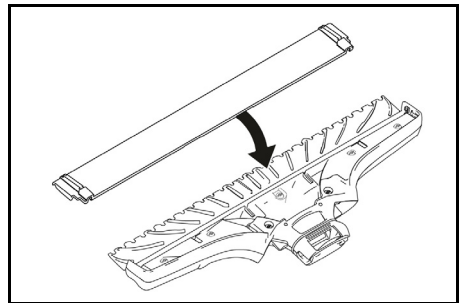


4. Pull the squeegee blade sideways out of the suction nozzle.

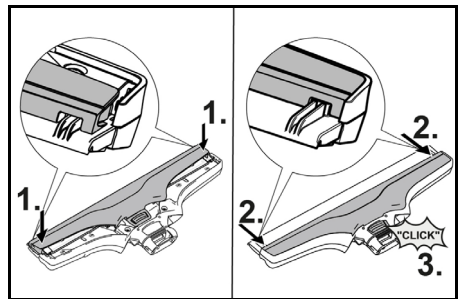
5. Clean the squeegee blade, suction nozzle, clamping rail and coarse dirt scraper under running water.



6. Push the squeegee blade into the suction nozzle after drying.



7. Place the clamping rail on the squeegee blade and push it to the rear until it audibly latches into the suction nozzle. Make sure that the clamping rail slides correctly into the side of the guides on the suction nozzle.



Troubleshooting guide

Malfunctions often have simple causes that you can remedy yourself using the following overview. When in doubt, or in the case of malfunctions not mentioned here, please contact your authorized Customer Service.

With increasing aging, the capacity of the battery will decrease even with good care, so that even when fully charged, the full run time is no longer achieved. This is not a defect.

The device is not working

The battery is not fully charged.

- Charge the battery.

The device is defective.

- Contact the Service department.

The spray bottle is not working

There is no detergent in the spray bottle.

- Fill the spray bottle with detergent.

The pump mechanism in the spray head is defective.

- Contact the Service department.

Streaks occur during the cleaning process.

- To prevent the formation of streaks, see chapter *Starting operation*.

Error codes and error descriptions

Display	Error description	Error correction
E1	Battery temperature too high or too low.	<ul style="list-style-type: none"> ● Allow the device to cool down / heat up. ● Use and store the device only at temperatures that are normal for living areas.
E2	Suction turbine blocked by too much liquid or solids being sucked in.	<ul style="list-style-type: none"> ● Do not vacuum large amounts of liquid from horizontal surfaces. ● Do not vacuum dust or solids. ● Empty the waste water tank at the latest when the max. mark is reached. ● Use only suitable detergents, no alcohol, no foam cleaners. KÄRCHER window cleaner concentrates are best suited.
E3	Charging voltage too high.	<ul style="list-style-type: none"> ● Use only the original charger supplied or a charger approved by KÄRCHER.
E4	Battery voltage < 3 V.	<ul style="list-style-type: none"> ● Internal device error, contact your dealer or an authorized customer service center.
Lo	The battery is discharged.	<ul style="list-style-type: none"> ● Charge the device with the supplied original charger or a charger approved by KÄRCHER.

Disposal

WARNING

This device contains Lithium-Ion rechargeable batteries. The Lithium-Ion batteries must be removed and disposed of in accordance with the applicable federal and state regulations.

Please note the following RBRC™ SEAL information.



THE RBRC SEAL™

The RBRC seal™ (Rechargeable Battery Recycling Corporation) seal on the Li-Ion battery (or rechargeable battery) indicates that KÄRCHER have already paid the costs for recycling the battery (or rechargeable battery) at the end of its service life. In collaboration with KÄRCHER and other battery manufacturers, the RBRC™ has established a program in the USA making it easier to collect used Li-Ion batteries. Help to protect our environment and preserve our natural resources by bringing the used battery to an authorized KÄRCHER Service Center or your local recycling company. RBRC™ is a registered trademark of the Rechargeable Battery Recycling Corporation.

- Remove the rechargeable battery from the device before disposal.
- Do not throw the battery into a fire or into water.
- The device can be recycled because KÄRCHER devices are made of high-quality recyclable materials.
- The batteries must be recycled or disposed of in accordance with the local laws and regulations.

Contenu

CONSIGNES DE SECURITE IMPORTANTES.....	16
Service à la clientèle	19
Étendue de la livraison.....	20
Accessoires et pièces de rechange ...	20
Caractéristiques techniques.....	20
Description de l'appareil.....	21
Monter l'appareil	22
Mise en service	22
Utilisation	24
Stockage	26
Entretien et maintenance	26
Dépannage en cas de défaut.....	28
Élimination	30

CONSIGNES DE SECURITE IMPORTANTES

Veuillez observer les mesures de prudence fondamentales, y compris les suivantes lors de l'utilisation de l'appareil :

LIRE TOUTES LES INSTRUCTIONS AVANT L'UTILISATION DE CETTE MACHINE

Pour usage domestique uniquement !

⚠ AVERTISSEMENT

- Veuillez lire toutes les consignes de sécurité et les instructions. Le non-respect des avertissements et des instructions peut entraîner une décharge électrique, des incendies et/ou des blessures graves.

⚠ AVERTISSEMENT

- Afin de réduire le risque d'incendie, le risque d'électrocutions ou de blessures, il convient d'observer ce qui suit :

sures, il convient d'observer ce qui suit :

- Débranchez le chargeur de la prise secteur lorsqu'il n'est pas utilisé et avant de réaliser des travaux de maintenance sur l'appareil ou le chargeur.
- Afin de réduire le risque d'électrocution, il convient d'observer ce qui suit :
- N'exposez pas l'appareil à la pluie. Stockez l'appareil dans des locaux intérieurs.
- N'autorisez pas que l'appareil serve de jouet. Lors de l'utilisation de l'appareil par des enfants ou à proximité d'enfants, la plus grande attention est requise.
- Utilisez l'appareil uniquement comme décrit dans ce manuel. N'utilisez que les accessoires recommandés par le fabricant.
- Ne pas utiliser un câble de sortie ou une fiche du chargeur de batterie endommagés. Si l'appareil ménager ne fonctionne pas comme prévu, s'il est tombé, est endommagé, a été oublié dehors ou est tombé dans l'eau, contactez le service client.
- Ne tirez pas sur le câble de charge du chargeur et ne l'utilisez pas comme poignée lors du transport de l'appareil, ne coincez pas le câble de charge du chargeur dans une porte et ne le tirez pas sur des angles ou bords coupants. Ne guidez pas l'appareil avec le câble de charge du chargeur. Tenez le câble de charge du chargeur éloigné de surfaces brûlantes.
- Empêchez que l'appareil ne soit allumé de manière inopinée. Avant la réception ou le port de l'appareil, assurez-vous que l'interrupteur est éteint. Portez l'appareil en laissant

- le doigt sur l'interrupteur ou si un appareil est allumé avec l'interrupteur activé, cela peut facilement entraîner des accidents.
- Ne faites entretenir l'appareil que par du personnel de maintenance qualifié, qui utilise uniquement les pièces détachées correspondantes. Cela permet de garantir la sécurité produit.
 - Dans la mesure où rien d'autre n'est indiqué dans les consignes d'entretien et d'utilisation, n'apportez aucune modification sur l'appareil ou la batterie et ne les réparez pas vous-même.
 - Ne débranchez pas l'appareil en tirant sur le câble de charge du chargeur de la prise de courant. Pour débrancher l'appareil du réseau électrique, tirez toujours sur la fiche.
 - Ne touchez ni le chargeur ni l'appareil les mains humides.
 - N'introduisez pas d'objet dans les ouvertures. N'utilisez pas l'appareil lorsque les ouvertures sont colmatées. Veillez à les garder exemptes de poussière, cheveux, peluches ainsi que de tout ce qui serait susceptible d'entraver le flux d'air.
 - Tenez cheveux, vêtements amples, vos doigts et parties corporelles éloignés des ouvertures et des pièces mobiles.
 - Soyez particulièrement prudents lors du nettoyage dans les escaliers.
 - N'utilisez pas l'appareil pour aspirer des liquides inflammables ou combustibles, par exemple de l'essence, et ne placez pas l'appareil dans des endroits dans lesquels de tels liquides pourraient se trouver.
 - Ne chargez pas l'appareil à l'extérieur.
 - Pour recharger l'appareil, utilisez uniquement le chargeur fourni par le fabricant.
 - Ne brûlez pas l'appareil, même s'il est fortement abîmé. La batterie risquerait de prendre feu et d'exploser.
 - N'utilisez pas l'appareil pour aspirer des substances toxiques (eau de javel, ammoniaque, déboucheur de canalisations, etc.).
 - N'aspirez pas de substances en combustion ou qui dégagent de la fumée, comme, p.ex., des cigarettes, des allumettes ou des cendres brûlantes.
 - N'immergez pas l'appareil. Utilisez l'appareil uniquement sur les surfaces qui ont été humidifiées lors du processus de nettoyage.
 - Risque de court-circuit ! N'introduisez aucun objet conducteur dans la fiche du chargeur (comme un tournevis ou autre).
 - Débranchez le chargeur ou l'appareil de la prise de courant si vous ne l'utilisez pas et avant tout travail de maintenance.
 - En cas de dommages visuels, remplacez le chargeur par les pièces recommandées par le fabricant d'origine.
 - Toute utilisation abusive peut provoquer une fuite de liquide de la batterie. La fuite de liquide peut entraîner des irritations cutanées ou des brûlures chimiques. Ne les touchez pas. En cas de contact inopiné, rincez les endroits concernés à l'eau. Si le liquide entre en contact avec les yeux, faites appel à un médecin.
 - N'utilisez ni batterie endommagée ou modifiée, ni appareil endommagé ou modifié. Des processus imprévisibles, pouvant entraîner un incendie, des explosions ou blessures

peuvent survenir dans des batteries endommagées ou modifiées.

- Pour recharger l'appareil, utilisez uniquement le chargeur indiqué par le fabricant. Lors de l'utilisation d'un chargeur adapté à un certain type de batterie, il y a un risque d'incendie s'il est utilisé avec une autre batterie.
- Respectez toutes les consignes de charge et ne chargez la batterie ou l'appareil que dans la plage de températures indiquée dans les instructions. En cas de charge incorrecte ou réalisée en dehors de la plage de températures indiquée, la batterie risque d'être endommagée et le risque d'incendie d'être accru.
- La tension indiquée sur la plaque signalétique doit correspondre à la tension d'alimentation.
- N'exposez pas la batterie ou un appareil aux flammes ou à des températures excessives. Le contact avec des flammes ou une température de plus de 130 °C peut entraîner des explosions.
- Ne stockez le chargeur que dans des locaux secs à une température ambiante de 41-104 F (5-40 °C) et ne l'utilisez que dans ces conditions.
- Ne stockez l'appareil que dans des locaux secs à une température ambiante de 41-104 F (5-40 °C) et ne l'utilisez que dans ces conditions.
- Ne pas toucher la fiche secteur avec les mains mouillées.
- Ne procédez à aucune modification sur la batterie.
- La batterie a été contrôlée selon les directives correspondantes sur les transports internationaux et peut être transportée/expédiée.

ATTENTION

- Une protection thermique interne se trouve dans l'appareil pour le protéger de la surchauffe. Lorsque la protection thermique est activée, l'appareil s'éteint. Procédez comme suit une fois la protection thermique activée :
 - 1 Éteignez l'appareil et débranchez le chargeur de la prise de courant.
 - 2 Vérifiez l'absence d'obstacles dans les ouvertures des buses et d'arrivée (colmatages). Éliminez les obstacles si existants.
 - 3 Laisser refroidir 30 minutes le moteur. Ne branchez pas le chargeur. Une fois le moteur refroidi, la protection thermique est désactivée. Si la protection thermique ne se désactive pas automatiquement une fois ces étapes réalisées, vous devez alors faire effectuer une maintenance de l'appareil.

CONSERVER CES INSTRUCTIONS

Niveaux de danger

DANGER

- Indique un danger immédiat qui peut entraîner de graves blessures corporelles ou la mort.

AVERTISSEMENT

- Indique une situation potentiellement dangereuse qui peut entraîner de graves blessures corporelles ou la mort.

PRÉCAUTION

- Indique une situation potentiellement dangereuse qui peut entraîner des blessures légères.

ATTENTION

- Indique une situation potentiellement dangereuse qui peut entraîner des dommages matériels.

Symboles sur l'appareil

Type d'appareil :

- 1.633-533.0

Utilisez le chargeur suivant :

- 6.654-453.0



Charger la batterie uniquement avec le chargeur d'origine fourni ou avec un chargeur autorisé par KÄRCHER.



AVERTISSEMENT - Pour réduire le risque de blessures, d'incendies ou d'explosions : lisez le manuel d'utilisation

Utilisation conforme

L'appareil fonctionnant sur batterie est conçu pour nettoyer les surfaces lisses et humides telles que les fenêtres, miroirs ou carrelages. Respectez les consignes de sécurité.

- N'utilisez jamais l'appareil pour aspirer la poussière.
- L'appareil peut aspirer jusqu'à 25 ml (0,8 oz) de liquide sur des surfaces horizontales, p. ex. d'un verre renversé.
- N'utilisez pas l'appareil en relation avec les détergents suivants : RM 500, RM 503, RM 508.
- Utilisez l'appareil uniquement avec les accessoires et pièces de rechange autorisés par KÄRCHER.

Toute utilisation différente est considérée comme non conforme. Le fabricant décline toute responsabilité en cas de dommages qui en résulteraient ; l'utilisateur en assume seul les risques.

Responsabilité propriétaire/ utilisateur

Vous devez avoir lu et compris le mode d'emploi et les consignes de sécurité avant d'utiliser l'appareil.

Veillez à ce qu'un utilisateur qui ne parle pas couramment anglais reçoive des explications concernant le mode d'emploi et les consignes de sécurité dans sa langue maternelle et qu'il les comprenne.

Veillez à ce que le mode d'emploi et les consignes de sécurité puissent être consultées à tout moment.

Service à la clientèle

Enregistrement

Pour obtenir une réponse à toute question ou de l'aide pour tout problème, votre appareil doit être enregistré.

Vous pouvez enregistrer votre appareil sur www.karcher-register.com s'il est situé aux États-Unis, sur www.karcher.ca s'il est situé au Canada, ou sur www.karcher.com/mx s'il est situé au Mexique.

Garantie

Dans le cas d'une réclamation sous garantie, vous pouvez contacter le service à la clientèle. Veuillez utiliser les coordonnées ci-dessous pour les États-Unis, le Canada ou le Mexique. Vous DEVEZ fournir votre preuve d'achat pour déposer une réclamation sous garantie par courriel, téléphone ou fax.

Service à la clientèle — États-Unis

Vous pouvez contacter notre service à la clientèle par téléphone, au **1-800-537-4129**, ou par l'intermédiaire du site web www.karcher-help.com.

Service à la clientèle — Canada

Vous pouvez contacter notre service à la clientèle par téléphone, au **1-800-465-4980**, ou par l'intermédiaire du site web, sous **www.karcher.com/ca**.

Service à la clientèle — Mexique

Vous pouvez contacter notre service à la clientèle par téléphone, au **01-800-024-13-13**, ou par l'intermédiaire du site web, sous **www.karcher.com/mx**.

Étendue de la livraison

L'étendue de la livraison de l'appareil est indiquée sur l'emballage. Lors du déballage, vérifiez le contenu pour s'assurer qu'il ne manque rien. Si un accessoire est manquant ou en cas de dommage pendant l'expédition, veuillez en aviser le service à la clientèle aux coordonnées susmentionnées, par téléphone ou par l'intermédiaire du site Web.

Accessoires et pièces de rechange

Utiliser exclusivement des accessoires et pièces de rechange originaux.

Ceux-ci garantissent le fonctionnement sûr et sans défaut de votre appareil.

Des informations sur les accessoires et pièces de rechange sont disponibles sur le site Internet www.kaercher.com.

Caractéristiques techniques

Raccordement électrique

Type de batterie		Li-Ion
Tension nominale de la batterie	V	3,65
Tension nominale du chargeur	V	5,5
Intensité nominale du chargeur	mA	2000
Durée de la charge de la batterie vide	Mi-nutes	170

Type de protection		IPX4
--------------------	--	------

Dimensions et poids

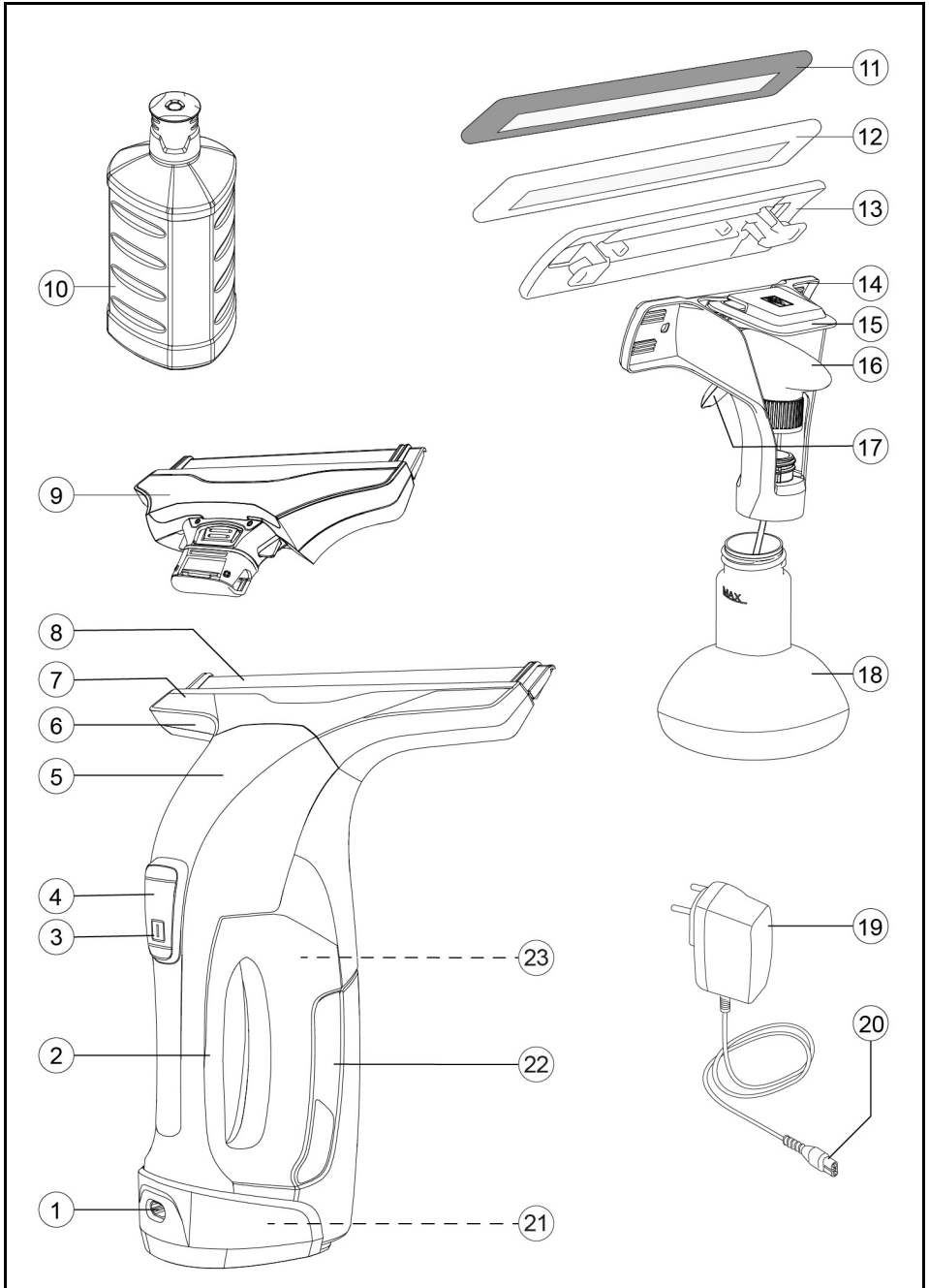
Poids	lbs (kg)	1,8 (0,8)
Volume du bac d'eau sale	oz (ml)	5,01 (150)

Caractéristiques de puissance de l'appareil

Puissance nominale	W	10
Autonomie avec une batterie pleine	Mi-nutes	100
Niveau de pression acoustique (EN 60704-2-1)	dB(A)	52

Sous réserve de modifications techniques.

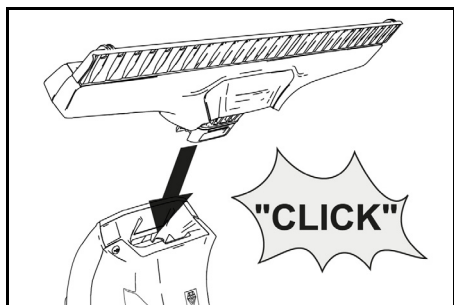
Description de l'appareil



- ① Prise du chargeur
- ② Poignée
- ③ Interrupteur principal (« ON »/ « OFF »)
- ④ Affichages à LED
- ⑤ Séparateur
- ⑥ Buse d'aspiration
- ⑦ Rail de serrage
- ⑧ Lèvre démontable
- ⑨ Buse d'aspiration étroite
- ⑩ Détergents
- ⑪ Housse en microfibre (extérieur)
- ⑫ Housse en microfibre (intérieur)
- ⑬ Adaptateur
- ⑭ Porte-balai
- ⑮ Raclor pour déchets volumineux
- ⑯ Tête de pulvérisation
- ⑰ Levier de pulvérisation
- ⑱ Flacon vaporisateur
- ⑲ Chargeur
- ⑳ Fiche de raccordement
- ㉑ Plaque signalétique (visible uniquement quand le bac d'eau sale est retiré)
- ㉒ Bac d'eau sale
- ㉓ Fermeture du bac d'eau sale (uniquement avec le bac d'eau sale retiré)

Monter l'appareil

1. Placer la buse d'aspiration sur le séparateur jusqu'à ce que la buse s'enclenche de manière audible. Utiliser la buse d'aspiration étroite pour les petites surfaces étroites.



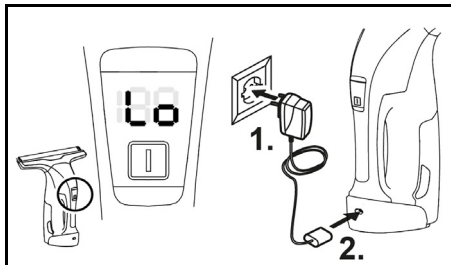
Mise en service

Charger la batterie

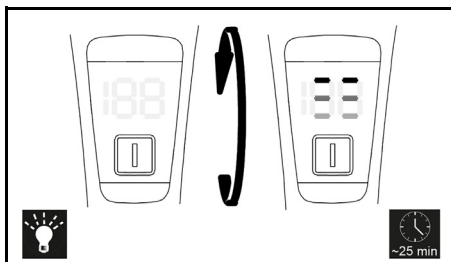
Remarque

L'appareil est livré sans batterie chargée. Chargez entièrement la batterie avant la première mise en service.

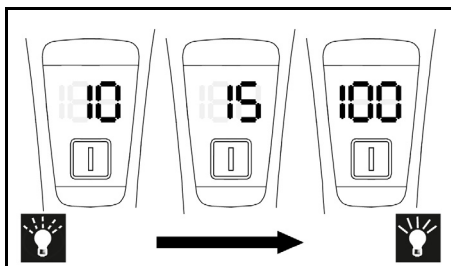
1. Brancher le chargeur dans une prise de courant.



2. Brancher la fiche de raccordement dans la prise du chargeur de l'appareil.
3. Le cycle de charge est affiché pendant environ 25 minutes par des barres d'état à affichage progressif.



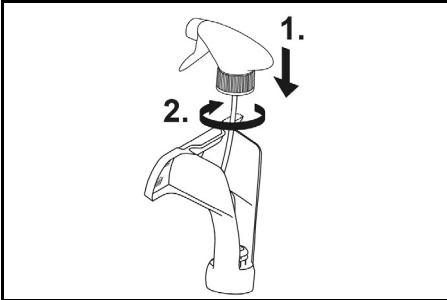
4. La durée de fonctionnement disponible de l'appareil en minutes clignote alors sur l'affichage LED.



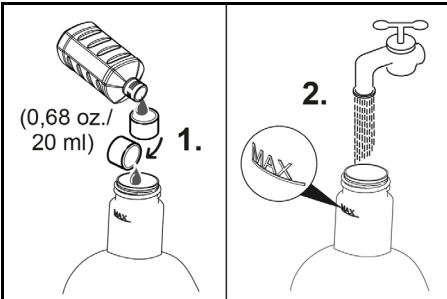
Lorsque l'appareil est entièrement rechargé, le témoin LED « 100 » reste allumé pendant 60 minutes avant de s'éteindre. Lors de la première mise en service le cycle de charge dure plus de 170 minutes. L'appareil est prêt à l'emploi.

Préparer le flacon vaporisateur.

1. Montez la tête de pulvérisation sur le porte-balai.

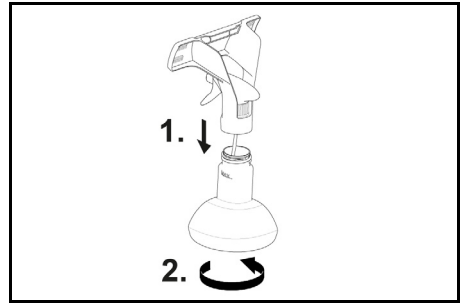


2. Mettre 1 capuchon de fermeture (environ 0,68 oz / 20 ml) de détergent dans le flacon pulvérisateur.

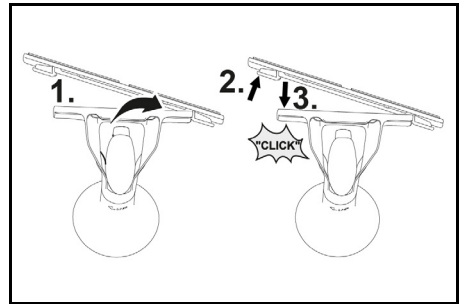


3. Remplir lentement l'eau propre dans le flacon vaporisateur jusqu'au repère MAX.

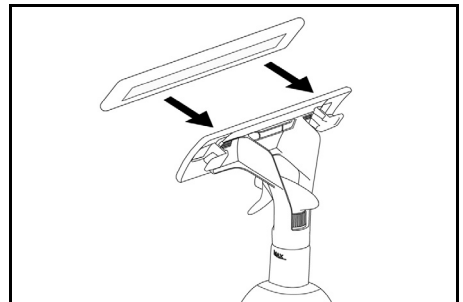
4. Fermer le flacon vaporisateur.



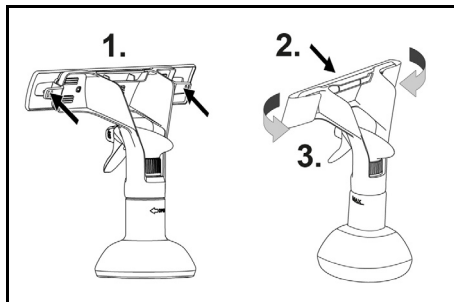
5. Accrocher l'adaptateur sur le porte-balai à droite et l'enclencher sur la gauche.



6. Placer la housse en microfibre sur l'adaptateur. Utiliser la housse en microfibre claire à l'intérieur et la housse en microfibre sombre à l'extérieur.



7. Pour les petites surfaces, désengager et retirer l'adaptateur du porte-balai.

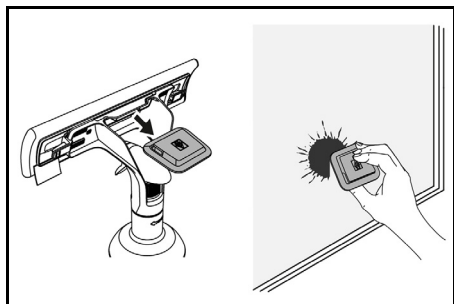


8. Fixer la housse en microfibre sur le porte-balai et la plier vers l'arrière sur le côté.

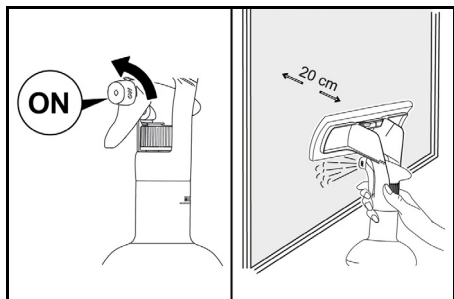
Utilisation

Démarrer le fonctionnement

1. Utiliser le grattoir pour enlever la saleté grossière sur le porte-balai et enlever les saletés grossières (p. ex. les excréments d'oiseaux séchés).



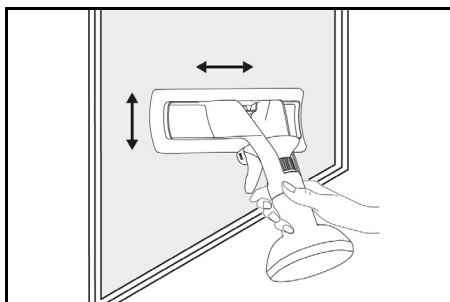
2. Mettre la buse sur « ON ».



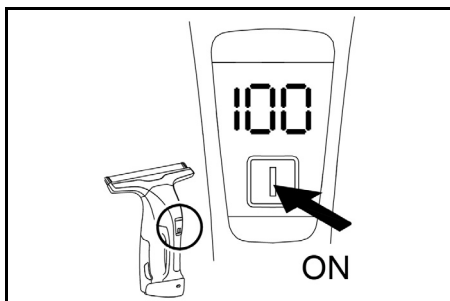
3. Actionner le levier de pulvérisation et vaporiser le détergent pour vitres

uniformément sur la surface à nettoyer à une distance de 8 in. (20 cm).

4. Éliminer la saleté à l'aide de la housse.



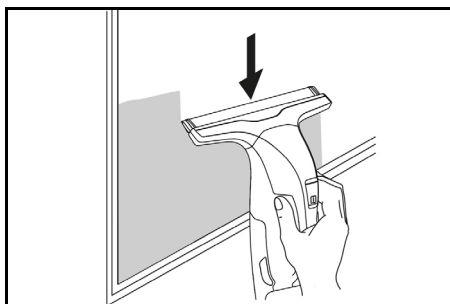
5. Mettre l'interrupteur principal sur la position « ON ».



L'appareil démarre.

Le temps restant en minutes s'affiche.

6. Passer la lèvre démontable sur la surface à nettoyer pour aspirer l'eau sale.



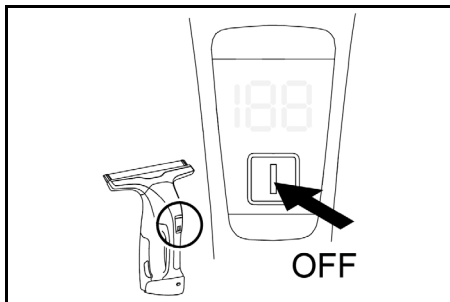
Remarque

Travaillez uniquement avec l'appareil jusqu'à ce que le repère MAX soit atteint dans le bac d'eau sale. Éteignez l'appareil et videz le bac d'eau sale (voir chapitre *Vider le bac d'eau sale*). Pour éviter les traces, observez les points suivants :

- Ne pas presser la lèvre démontable trop fort contre la surface à nettoyer, elle doit juste glisser dessus.
- Tenir l'appareil dans l'angle correct par rapport à la surface à aspirer. La distance entre l'extrémité inférieure de l'appareil et la surface doit être d'environ 4 in. (10 cm).
- Utiliser uniquement un détergent KÄRCHER spécialement conçu pour l'appareil.
- Pulvériser suffisamment de détergent pour vitres sur la surface pour que cette dernière ne soit pas trop sèche.
- Nettoyer régulièrement la lèvre démontable (voir le chapitre *Nettoyer lèvre démontable, la buse d'aspiration et racloir pour déchets volumineux*).
- Remplacer la lèvre démontable si elle est usée (voir le chapitre *Nettoyer lèvre démontable, la buse d'aspiration et racloir pour déchets volumineux*).
- Ne pas effectuer le nettoyage en plein soleil, ou s'il fait trop chaud ou trop froid.

Interrompre le fonctionnement

1. Mettre l'interrupteur principal sur la position « OFF ».

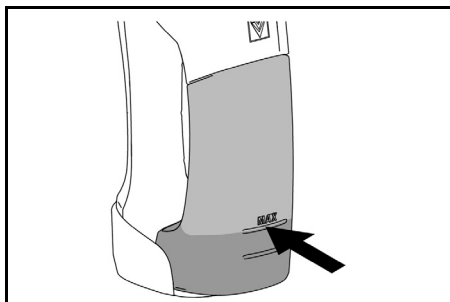


L'appareil s'éteint.

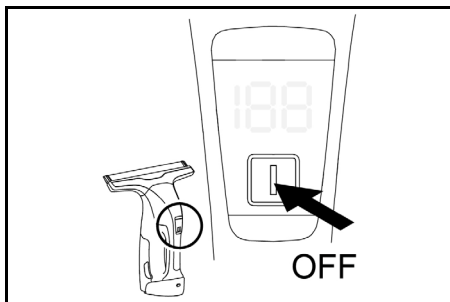
2. Placer l'appareil sur une surface plane.

Vider le bac d'eau sale

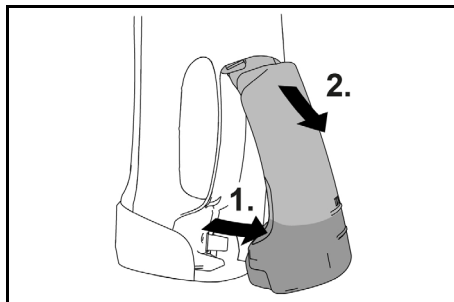
Vider le bac d'eau sale dès que ce dernier est rempli jusqu'au repère MAX.



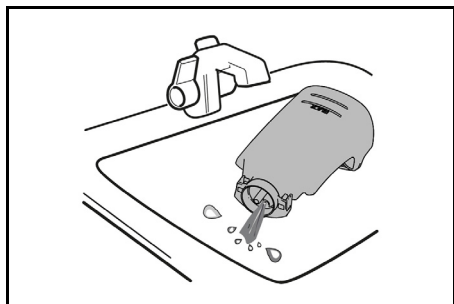
1. Éteindre l'appareil.



2. Retirer le bac d'eau sale.



3. Vider le réservoir d'eau sale et le rincer à l'eau propre.



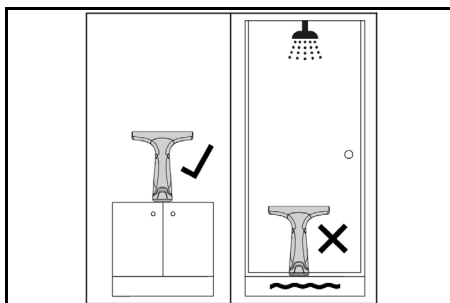
4. Placer le bac d'eau sale dans l'appareil.

Terminer l'utilisation

1. Éteindre l'appareil.
2. Nettoyer le bac d'eau sale (voir le chapitre *Nettoyer le bac d'eau sale*).
3. Nettoyer la housse en microfibre (voir le chapitre *Nettoyer la housse en microfibre*).
4. Nettoyer régulièrement la lèvre démontable et le racloir pour déchets volumineux (voir le chapitre *Nettoyer lèvre démontable, la buse d'aspiration et racloir pour déchets volumineux*).
5. Laisser sécher l'appareil.
6. Assembler l'appareil.
7. Charger la batterie si besoin (voir le chapitre *Charger la batterie*).

Stockage

1. Stocker l'appareil nettoyé debout à un endroit sec et propre, à l'abri de la poussière.



Entretien et maintenance

⚠ AVERTISSEMENT

Nettoyage non conforme

Risque d'incendie, de blessures, risque d'électrocution

Mettre l'appareil hors tension.

Ne pas débrancher la fiche secteur de la prise du chargeur.

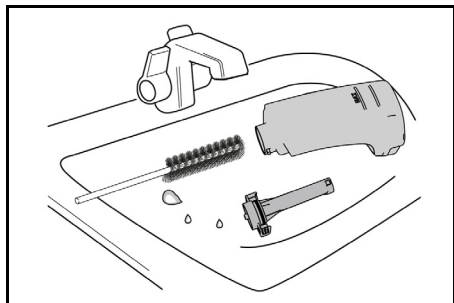
Ne nettoyez jamais l'appareil à l'eau courante.

Nettoyer le bac d'eau sale

1. Vider le bac d'eau sale (voir le chapitre *Vider le bac d'eau sale*).
2. Retirer la fermeture du bac d'eau sale.

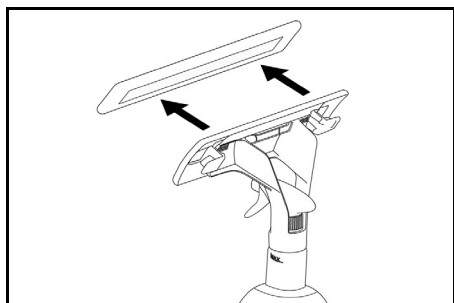


3. Nettoyer le bac d'eau sale et la fermeture à la main.



Nettoyer la housse en microfibre

1. Retirer la housse en microfibre du porte-balai ou de l'adaptateur.



2. Nettoyer la housse en microfibre à l'eau courante.
3. La housse en microfibre peut également être lavée à la machine à laver jusqu'à 140 °F (60 °C).

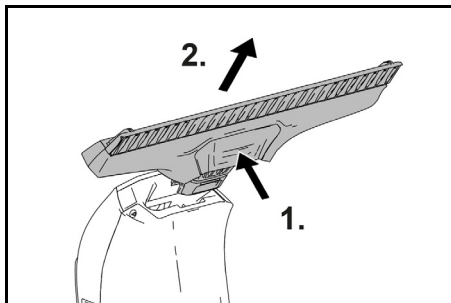
Observer les consignes d'entretien suivantes :

- Ne pas utiliser d'adoucissant.
- Ne pas blanchir la housse en microfibre.
- Ne pas sécher la housse en microfibre au sèche-linge.
- Ne pas repasser la housse en microfibre.

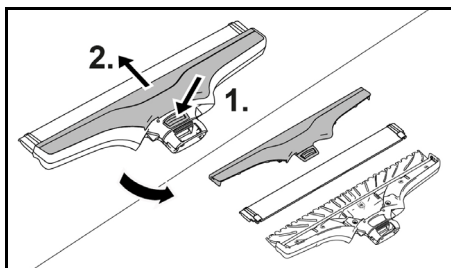
Nettoyer lèvres démontable, la buse d'aspiration et racloir pour déchets volumineux

1. Éteindre l'appareil.
2. Appuyer sur le bouton de déverrouillage au bas de la buse d'aspiration

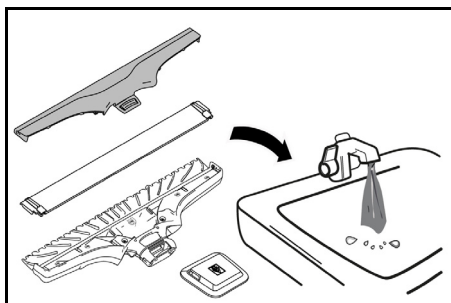
- et retirer la buse d'aspiration de l'appareil.



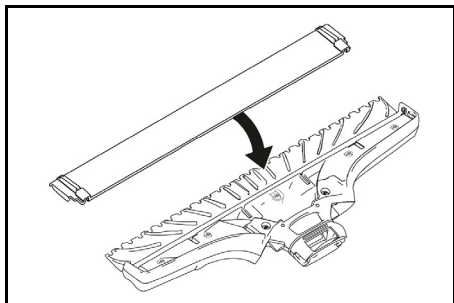
3. Appuyer sur la touche de déverrouillage sur le dessus de la buse d'aspiration et faire glisser le rail de serrage vers le bas depuis la buse d'aspiration.



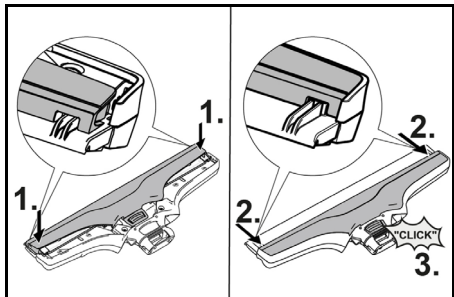
4. Retirer laèvre démontable de la buse d'aspiration.
5. Nettoyer laèvre démontable, la buse d'aspiration, le rail de serrage et le racloir pour déchets volumineux à l'eau courante.



6. Une fois sèche, glisser la lèvre démontable dans la buse d'aspiration.



7. Placer le rail de serrage sur la lèvre démontable et le pousser vers l'arrière jusqu'à ce qu'il s'enclenche de manière audible dans la buse d'aspiration. S'assurer que le rail de serrage glisse correctement latéralement dans les guides de la buse d'aspiration.



Dépannage en cas de défaut

Les défauts ont souvent des causes simples que vous pouvez vous-même éliminer à l'aide de l'aperçu suivant. En cas de doute, ou en absence de mention des défauts, veuillez vous adresser au service après-vente autorisé.

En vieillissant la capacité de la batterie baisse, même en cas d'entretien correct, et la durée de marche complète n'est plus atteinte, même à l'état pleinement chargé. Ceci n'est pas un défaut.

L'appareil ne fonctionne pas

La batterie est pleinement rechargée.

- Charger la batterie.

L'appareil est défectueux.

- Contacter le service.

Le flacon vaporisateur ne fonctionne pas

Le flacon vaporisateur ne contient pas de détergent.

- Remplir le détergent dans le flacon vaporisateur.

Le mécanisme de pompe du flacon vaporisateur est défectueux.

- Contacter le service.

Des traces se forment lors du fonctionnement.

- Pour éviter la formation de traces, voir le chapitre *Démarrer le fonctionnement*.

Codes d'erreurs et descriptions des erreurs

Affichage	Description de l'erreur	Élimination de l'erreur
E1	Température de la batterie trop élevée ou trop faible.	<ul style="list-style-type: none"> ● Laisser refroidir / réchauffer l'appareil. ● Utiliser et stocker l'appareil uniquement aux températures habituelles dans les zones d'habitation.
E2	Blocage de la turbine d'aspiration dû à de grands volumes de liquide aspiré ou de solides aspirés.	<ul style="list-style-type: none"> ● Ne pas aspirer de grandes quantités de liquides sur les surfaces horizontales. ● Ne pas aspirer de poussières ni de solides. ● Vider le bac d'eau sale au plus tard lorsque le marquage Max. est atteint. ● Utiliser exclusivement des détergents adaptés, pas d'alcool dénaturé, pas de produit de nettoyage à la mousse. Les concentrés de lave vitres KÄRCHER sont les mieux adaptés.
E3	Tension de charge trop élevée.	<ul style="list-style-type: none"> ● Utiliser uniquement le chargeur d'origine fourni ou un chargeur autorisé par KÄRCHER.
E4	Tension de la batterie < 3 V.	<ul style="list-style-type: none"> ● Erreur interne de l'appareil, veuillez contacter votre fournisseur ou un service après-vente autorisé.
Lo	La batterie est déchargée.	<ul style="list-style-type: none"> ● Chargez l'appareil uniquement avec le chargeur d'origine fourni ou avec un chargeur autorisé par KÄRCHER.

Élimination

WARNING

Cet appareil contient des batteries lithium-ions. Le retrait et la mise au rebut conformes des batteries lithium-ions doit se faire conformément aux prescriptions nationales et fédérales. Veuillez observer les informations RBRC™ SEAL.



LE SCEAU RBRC™

Le sceau RBRC™ (Société de recyclage des batteries rechargeables) sur la batterie lithium-ions (ou la batterie) indique que les coûts du recyclage de la batterie en fin de phase d'utilisation ont été payés par KÄRCHER. En collaboration avec KÄRCHER ainsi qu'avec d'autres fabricants de batteries, RBRC™ a dressé un programme aux États-Unis visant à faciliter la collecte de batteries lithium-ions usagées. Apportez votre contribution à la protection de notre environnement et au respect des ressources naturelles en apportant la batterie usée à un centre de service KÄRCHER ou à votre entreprise de recyclage locale. RBRC™ Est une marque déposée de Rechargeable Battery Recycling Corporation.

- Avant la mise au rebut, retirer la batterie de l'appareil.
- Ne pas jeter la batterie dans le feu ou dans l'eau.
- Le recyclage est possible, les appareils KÄRCHER étant fabriqués à base de matériaux recyclables de qualité supérieure.
- Le recyclage ou la mise au rebut de la batterie doit se faire conformément à la législation et aux prescriptions locales.

Índice de contenidos

INSTRUCCIONES DE SEGURIDAD IMPORTANTES.....	31
Atención al cliente.....	34
Cobertura de la entrega.....	35
Accesorios y recambios.....	35
Datos técnicos.....	35
Descripción del equipo.....	36
Montaje del equipo.....	37
Puesta en funcionamiento.....	37
Servicio.....	39
Almacenamiento.....	41
Conservación y mantenimiento.....	42
Ayuda en caso de fallos.....	43
Eliminación de residuos.....	45

INSTRUCCIONES DE SEGURIDAD IMPORTANTES

Al utilizar el equipo, deben tenerse en cuenta todas las precauciones básicas de seguridad, entre las que se incluyen las siguientes:

LEA TODAS LAS INSTRUCCIONES ANTES DE UTILIZAR ESTA MÁQUINA

Solo para uso doméstico.

⚠ ADVERTENCIA

- Consulte todas las instrucciones de seguridad e instrucciones de empleo. El incumplimiento de las advertencias e instrucciones podría provocar descargas eléctricas, incendios y/o lesiones graves.

⚠ ADVERTENCIA

- Para reducir el riesgo de incendio, descarga eléctrica o lesiones, preste atención a lo siguiente:
- Desenchufe el cargador del tomacorriente cuando no esté en funciona-

miento y antes de realizar los trabajos de mantenimiento en el equipo o en el cargador.

- Para reducir el riesgo de descarga eléctrica, preste atención a lo siguiente:
- No exponga el equipo a la lluvia. Almacénelo en interiores.
- No deje que el equipo se utilice como si fuera un juguete. Cuando niños usan el equipo o cuando el equipo se encuentra cerca de niños, hay que extremar la precaución.
- Utilice el equipo únicamente de acuerdo con lo descrito en este manual. Utilice únicamente los accesorios recomendados por el fabricante.
- No utilizar el dispositivo si el conector o el cable de salida del cargador de baterías están dañados. Contactar con el servicio de postventa si el aparato no está funcionando como debería, se ha caído, dañado, dejado al aire libre o caído al agua.
- No tire del cable de carga del cargador, y no lo utilice como asa para transportar el equipo, no comprima el cable de carga del cargador en una puerta ni lo arrastre por bordes o esquinas afilados. No pase el equipo por encima del cable de carga del cargador. Mantenga el cable del cargador alejado de superficies calientes.
- Impida que el equipo se conecte de manera imprevista. Asegúrese de que el interruptor esté apagado antes de levantar o transportar el equipo. Transportar el equipo dejando el dedo en el interruptor o poner bajo corriente un equipo con interruptor conectado puede provocar fácilmente accidentes.

- Encargue el mantenimiento del equipo únicamente a personal de servicio cualificado que utilice únicamente las piezas de repuesto adecuadas. Con ello se garantiza la seguridad del producto.
- A menos que se indique lo contrario en las instrucciones de uso y mantenimiento, no modifique ni repare el equipo ni la batería.
- No desconecte el cargador de la toma de corriente tirando del cable de carga del cargador. Desconecte el aparato de la red eléctrica tirando del enchufe.
- No toque el cargador ni el equipo si tiene las manos mojadas.
- No introduzca objetos en las aberturas. No utilice el equipo si las aberturas están obstruidas. Asegúrese de mantenerlas libres de polvo, pelusa, pelo y cualquier cosa que pueda obstruir el flujo de aire.
- Mantenga el cabello, la ropa suelta, los dedos y todas las partes del cuerpo lejos de aberturas y partes móviles.
- Tenga especial cuidado cuando limpie escaleras.
- No utilice el equipo para absorber líquidos inflamables o combustibles, como gasolina, y no lo utilice en áreas donde dichos líquidos puedan estar presentes.
- No cargue el equipo en el exterior.
- Para recargar el equipo, utilice únicamente el cargador suministrado por el fabricante.
- No queme el equipo, aunque esté muy dañado. La batería podría incendiarse y explotar.
- No utilice el aparato para absorber sustancias tóxicas (lejías de cloro para blanquear, amoníaco, limpiador de sumideros, etc.).
- No absorba nada que queme o suelte humo, como cigarrillos, cerillas o cenizas calientes.
- No sumerja el equipo. Utilice el equipo únicamente en superficies que hayan sido humedecidas durante el proceso de limpieza.
- ¡Peligro de cortocircuito! No introduzca objetos conductores (como destornilladores, etc.) en el enchufe del cargador.
- Desenchufe el cargador de la toma de corriente cuando no esté en uso, así como antes de realizar trabajos de mantenimiento en el cargador o en el equipo.
- En caso de daños visibles, sustituya el cargador por las piezas recomendadas por el fabricante original.
- Un uso inadecuado puede provocar fugas de líquido de la batería. La fuga de líquido puede causar irritación o quemaduras en la piel. No lo toque. Si lo toca accidentalmente, enjuague la zona afectada con agua. Si el líquido entra en contacto con los ojos, solicite atención médica.
- No utilice una batería dañada o modificada ni un equipo dañado o modificado. Las baterías dañadas o modificadas pueden causar eventos impredecibles que podrían tener como resultado incendios, explosiones o lesiones personales.
- Para recargar el equipo, utilice únicamente el cargador indicado por el fabricante. Cuando se utiliza un cargador adecuado para un tipo particular de batería, existe peligro incendio si se utiliza con otra batería.
- Siga todas las instrucciones de carga y cargue la batería o el equipo solo dentro del rango de temperatura especificado en las instrucciones.

Una carga incorrecta o una carga fuera del rango de temperatura especificado pueden dañar la batería y aumentar el peligro de incendio.

- La tensión indicada en la placa identificadora de tipo debe corresponderse con la tensión de alimentación.
- No exponga una batería o un equipo a llamas o temperaturas excesivas. El contacto con llamas o una temperatura superior a 130 °C pueden provocar explosiones.
- Almacene el cargador solo en lugares secos a una temperatura ambiental comprendida entre 41 y 104 °F (5 y 40 °C) y utilícelo solo en estas condiciones.
- Almacene el equipo solo en lugares secos a una temperatura ambiental comprendida entre 41 y 104 °F (5 y 40 °C) y utilícelo solo en estas condiciones.
- No toque el enchufe con las manos mojadas.
- No realice ningún tipo de modificación en la batería.
- La batería ha sido comprobada de acuerdo con las regulaciones relevantes para el transporte internacional y se puede transportar/Enviar.

CUIDADO

● Como protección contra el sobrecalentamiento, el equipo lleva montada una protección térmica interna. Si se activa la protección térmica, el equipo se desconecta. Tras la activación de la protección térmica, proceda de la siguiente manera:

- 1 Desconecte el equipo y desenchufe el cargador de la toma de corriente.
- 2 Compruebe que las boquillas y las aberturas de entrada no tengan

obstrucciones. Elimine las obstrucciones, de haberlas.

- 3 Deje que el motor se enfríe durante 30 minutos. No enchufe el cargador. Cuando el motor se ha enfriado, la protección térmica se desactiva. Si la protección térmica no se desactivara automáticamente una vez completados estos pasos, debe someter el equipo a un mantenimiento.

GUARDAR ESTAS INSTRUCCIONES

Niveles de peligro

⚠ PELIGRO

- Aviso de un peligro inminente que produce lesiones corporales graves o la muerte.

⚠ ADVERTENCIA

- Aviso de una posible situación peligrosa que puede producir lesiones corporales graves o la muerte.

⚠ PRECAUCIÓN

- Aviso de una posible situación peligrosa que puede producir lesiones corporales leves.

CUIDADO

- Aviso de una posible situación peligrosa que puede producir daños materiales.

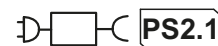
Símbolos en el equipo

Tipo de equipo:

- 1.633-533.0

Utilice el siguiente cargador:

- 6.654-453.0



Cargar la batería únicamente con el cargador original suministrado o con un cargador autorizado por KÄRCHER.



AVISO: para reducir el peligro de lesiones, incendios o explosiones, lea el manual de instrucciones.

Uso previsto

El equipo con alimentación por batería está diseñado para la limpieza de superficies húmedas y lisas, como ventanas, espejos o azulejos. Respete las instrucciones de seguridad.

- No utilice nunca el equipo para aspirar el polvo.
- El equipo puede aspirar hasta 0,8 oz (25 ml) de líquido de superficies horizontales, p. ej., de un vaso volcado.
- Utilice el equipo únicamente en combinación con los siguientes detergentes: RM 500, RM 503 o RM 508.
- Utilice el equipo únicamente con los recambios y accesorios autorizados por KÄRCHER.

Cualquier uso distinto al especificado será considerado uso no previsto. El fabricante no asume ninguna responsabilidad por los daños derivados de dicho uso no previsto. El usuario asume todos los riesgos.

Responsabilidad del usuario/ propietario

Antes de utilizar el equipo, debe leer y entender el manual de instrucciones y las instrucciones de seguridad.

Asegúrese de que los operarios que no hablen inglés con fluidez dispongan del manual de instrucciones y las instrucciones de seguridad en su idioma materno y de que lo hayan entendido.

Asegúrese de que el manual de instrucciones y las instrucciones de seguridad estén siempre disponibles para consultas posteriores.

Atención al cliente

Registro

Debe registrar su dispositivo para poder recibir ayuda con cualquier pregunta o problema que tenga. Puede registrar su dispositivo en www.karcher-register.com si se encuentra en los EE. UU., www.karcher/ca si se encuentra en Canadá, o www.karcher.com/mx si se encuentra en México.

Garantía

Si tiene una reclamación de garantía, puede contactar al servicio de atención al cliente. Consulte la información de contacto que se indica a continuación para EE.UU., Canadá o México. DEBE proporcionar su comprobante de compra para presentar una reclamación de garantía por correo electrónico, teléfono o fax.

Servicio al cliente en EE. UU.

Puede comunicarse con nuestro departamento de Atención al Cliente por teléfono al **1-800-537-4129** o en la página web www.karcher-help.com.

Atención al cliente en Canadá

Puede comunicarse con nuestro departamento de Atención al Cliente por teléfono al **1-800-465-4980** o en la página web www.karcher.com/ca.

Servicio al cliente en México

Puede comunicarse con nuestro departamento de Atención al Cliente por teléfono al **01-800-024-13-13** o en la página web www.karcher.com/mx.

Cobertura de la entrega

La cobertura de la entrega del aparato se indica en el embalaje. Al desempaquetarlo, compruebe que el contenido esté completo. Si falta algún accesorio o si se produce algún daño durante el transporte, notifique a nuestro departamento de Atención al Cliente tal como se ha indicado anteriormente por teléfono o en la página web.

Accesorios y recambios

Utilice únicamente accesorios y recambios originales, estos garantizan un servicio seguro y fiable del equipo. Encontrará información sobre los accesorios y recambios en www.kaeher.com.

Datos técnicos

Conexión eléctrica

Tipo de batería		Li-Ion
-----------------	--	--------

Tensión nominal de la batería	V	3,65
-------------------------------	---	------

Tensión nominal del cargador	V	5,5
------------------------------	---	-----

Corriente nominal del cargador	mA	2000
--------------------------------	----	------

Tiempo de carga con batería descargada	Minutos	170
--	---------	-----

Tipo de protección		IPX4
--------------------	--	------

Peso y dimensiones

Peso	lbs (kg)	1,8 (0,8)
------	-------------	--------------

Volumen del depósito de agua sucia	oz (ml)	5,01 (150)
------------------------------------	------------	---------------

Datos de potencia del equipo

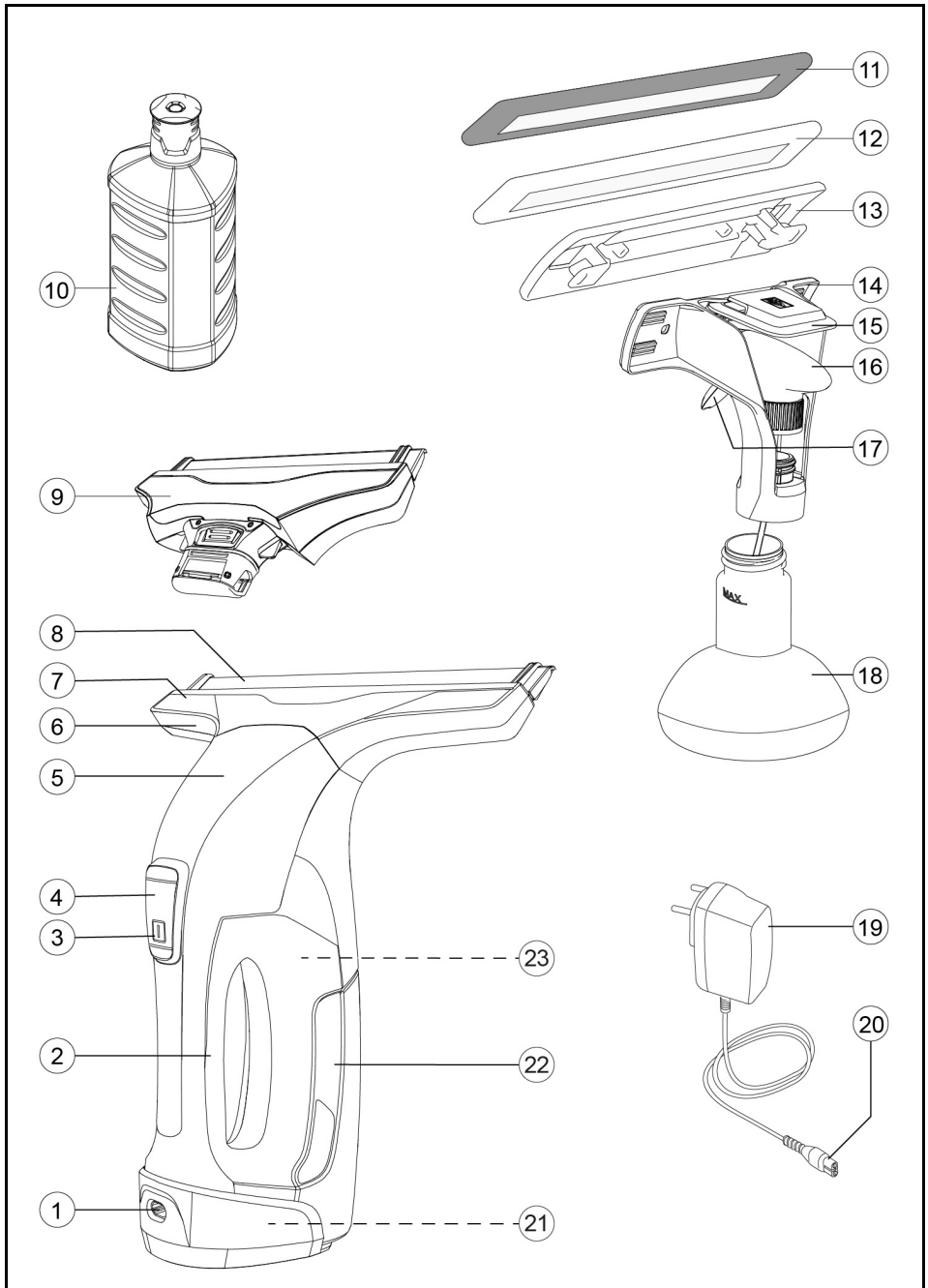
Potencia nominal	W	10
------------------	---	----

Tiempo de funcionamiento con batería totalmente cargada	Minutos	100
---	---------	-----

Nivel de presión acústica (EN 60704-2-1)	dB(A)	52
--	-------	----

Reservado el derecho a realizar modificaciones.

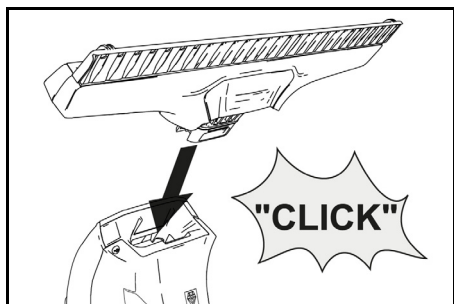
Descripción del equipo



- ① Terminal de carga
- ② Asa
- ③ Interruptor del equipo («OFF» / «ON»)
- ④ Indicador led
- ⑤ Separador
- ⑥ Boquilla de aspiración
- ⑦ Riel de sujeción
- ⑧ Labio rascador
- ⑨ Boquilla aspiradora estrecha
- ⑩ Detergente
- ⑪ Bayeta de microfibra (exteriores)
- ⑫ Bayeta de microfibra (interiores)
- ⑬ Adaptador
- ⑭ Accesorio limpiador
- ⑮ Rascador para suciedad gruesa
- ⑯ Cabezal pulverizador
- ⑰ Palanca pulverizadora
- ⑱ Bote pulverizador
- ⑲ Cargador
- ⑳ Enchufe de conexión
- ㉑ Placa de características (solo visible con el depósito de agua sucia extraído)
- ㉒ Depósito de agua sucia
- ㉓ Cierre del depósito de agua sucia (solo visible con el depósito de agua sucia extraído)

Montaje del equipo

1. Insertar la boquilla de aspiración en el separador hasta que queda encastrada de forma audible. Utilizar la boquilla aspiradora estrecha para superficies pequeñas y estrechas.



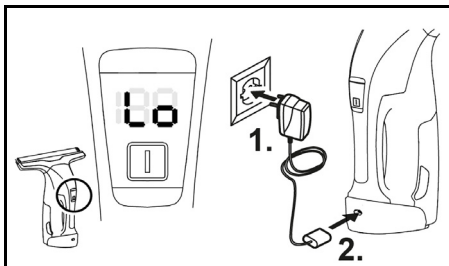
Puesta en funcionamiento

Carga de la batería

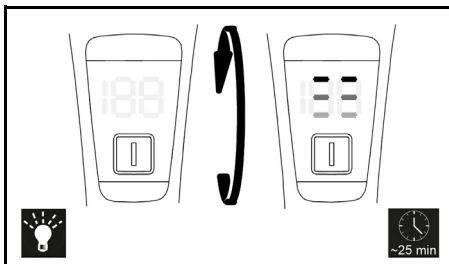
Nota

El equipo se suministra sin batería cargada. Cargue la batería completamente antes de la primera puesta en funcionamiento.

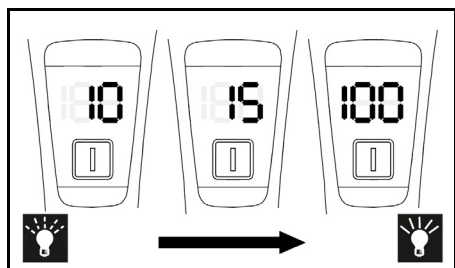
1. Enchufar el cargador a una toma de corriente.



2. Introducir el enchufe de conexión en el terminal de carga del equipo.
3. El proceso de carga se muestra durante aproximadamente 25 min mediante barras de estado ascendentes.



4. A continuación, en el indicador led parpadea el tiempo de funcionamiento disponible del equipo en minutos.

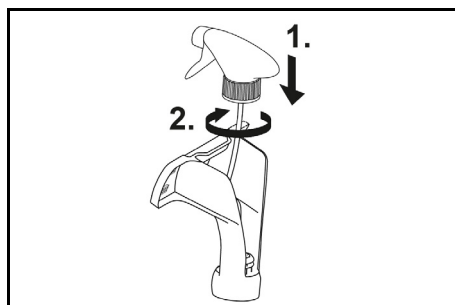


Si el equipo está completamente cargado, el indicador led indica «100» durante 60 minutos y, a continuación, se apaga. En la primera puesta en funcionamiento, el proceso de carga dura más de 170 minutos.

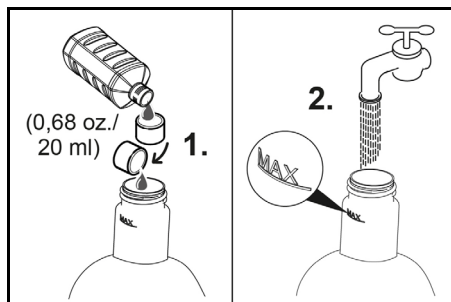
El equipo está listo para el funcionamiento.

Preparación del bote pulverizador

1. Montar el cabezal pulverizador en el accesorio limpiador.

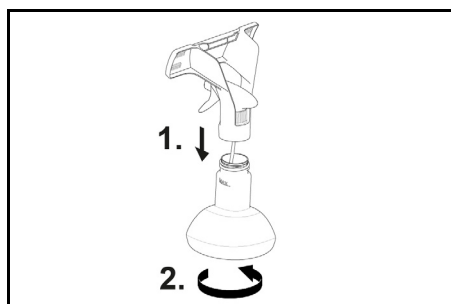


2. Verter 1 tapa de cierre (aprox. 0,68 oz./20 ml) de detergente en la botella pulverizadora.

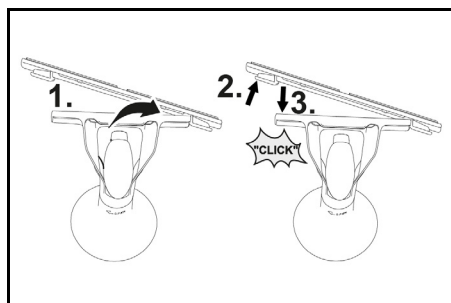


3. Llenar lentamente la botella pulverizadora con agua limpia hasta la marca MAX.

4. Cerrar el bote pulverizador.

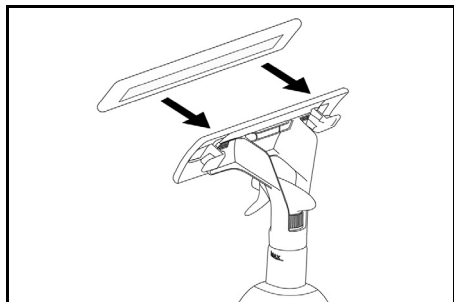


5. Enganchar el adaptador al accesorio para limpiar por el lado derecho y encajarlo por el izquierdo.

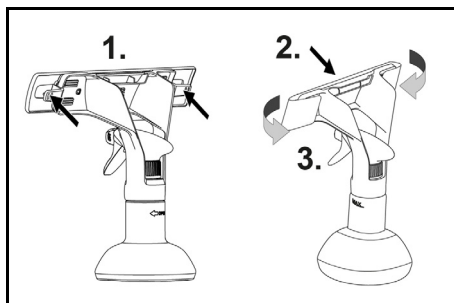


6. Colocar la bayeta de microfibra en el adaptador.

En interiores, usar la bayeta de microfibra clara; en exteriores, la bayeta de microfibra oscura.



7. Para superficies pequeñas, desenganchar y retirar el adaptador del accesorio para limpiar.

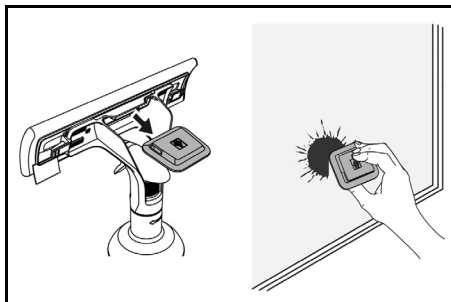


8. Colocar la bayeta de microfibra en el accesorio para limpiar y doblarla hacia atrás de lado.

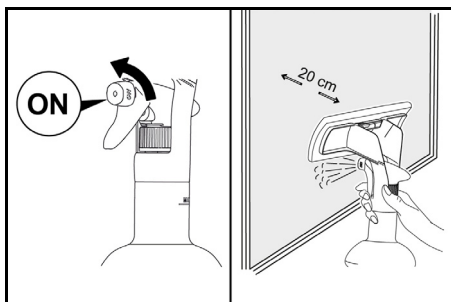
Servicio

Inicio del servicio

1. Retirar el rascador para suciedad gruesa del accesorio para limpiar y eliminar la suciedad gruesa (p. ej., excrementos de pájaros secos).

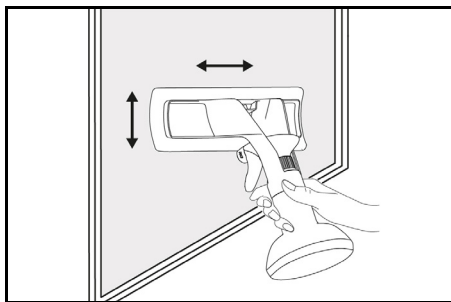


2. Poner el cabezal pulverizador en «ON»

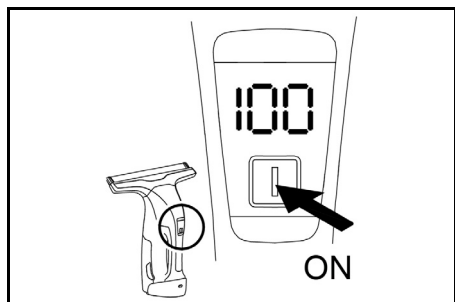


3. Accionar la palanca pulverizadora y pulverizar el líquido limpiaventanas de manera uniforme sobre la superficie que se va a limpiar, a 8 in. (20 cm) de distancia.

4. Desprender la suciedad con la bayeta de microfibra.



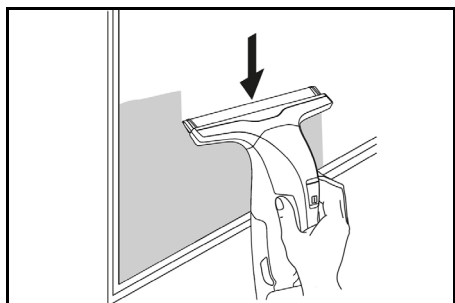
5. Colocar el interruptor del equipo en posición "ON".



El equipo se conecta.

Se muestra el tiempo restante en minutos.

6. Pasar el labio rascador por la superficie que se quiere limpiar para absorber el agua sucia.



Nota

Trabaje con el equipo solo hasta que se alcance la marca MAX en el depósito de agua sucia. Desconecte el equipo y vacíe el depósito de agua sucia (véase el capítulo *Vaciar el depósito de agua sucia*).

Preste atención a los siguientes puntos para evitar rayas:

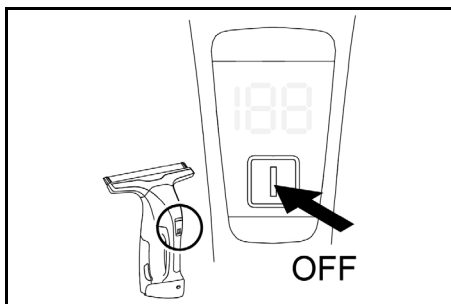
- No presionar demasiado el labio rascador contra la superficie que se va a limpiar, simplemente deslizarlo.
- Sostener el equipo en el ángulo correcto con respecto a la superficie que se va a aspirar. La distancia entre el extremo inferior del equipo y la

superficie debe ser de aproximadamente 4 in. (10 cm).

- Utilizar únicamente detergente KÄRCHER, ya que este está especialmente concebido para el equipo.
- Pulverizar suficiente líquido limpia-cristales sobre la superficie, para que esta no esté demasiado seca.
- Limpiar el labio rascador regularmente (véase el capítulo *Limpiar el labio rascador, la boquilla aspiradora y el rascador para suciedad gruesa*).
- Reemplazar el labio rascador si está desgastado (véase el capítulo *Limpiar el labio rascador, la boquilla aspiradora y el rascador para suciedad gruesa*).
- La limpieza no se debe llevar a cabo con luz solar directa o con calor o frío excesivos.

Interrupción del servicio

1. Colocar el interruptor del equipo en posición «OFF».

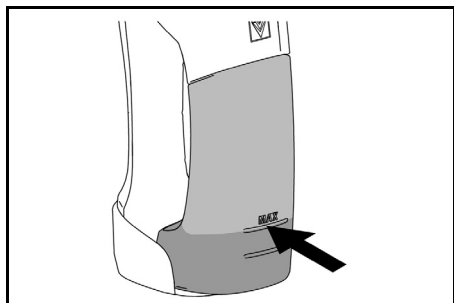


El equipo se desconecta.

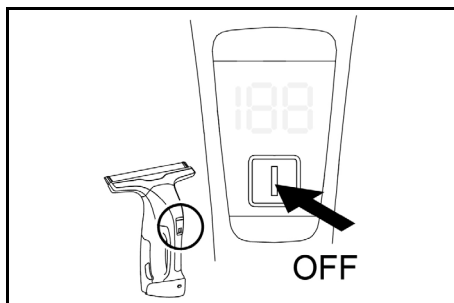
2. Depositar el equipo sobre una superficie plana.

Vaciar el depósito de agua sucia

Vaciar el depósito de agua sucia en cuanto se haya llenado hasta la marca MAX.



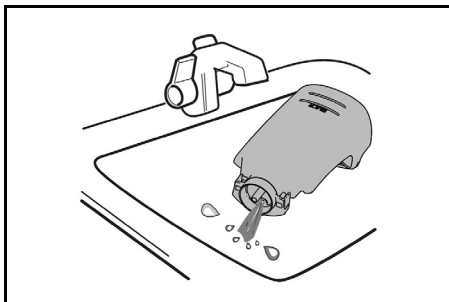
1. Desconectar el equipo.



2. Retirar el depósito de agua sucia.



3. Vaciar el depósito de agua sucia y enjuagarlo con agua limpia.



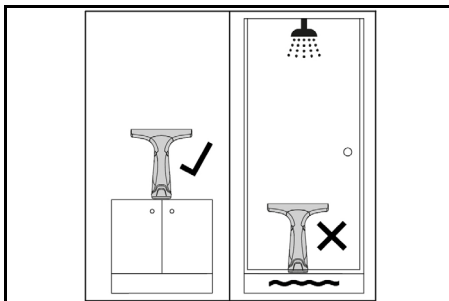
4. Colocar el depósito de agua sucia en el equipo.

Finalización del funcionamiento

1. Desconectar el equipo.
2. Limpiar el depósito de agua sucia (véase el capítulo *Limpiar el depósito de agua sucia*).
3. Limpiar la bayeta de microfibra (véase el capítulo *Limpiar la bayeta de microfibra*).
4. Limpiar el labio rascador, la boquilla aspiradora y el rascador para suciedad gruesa (véase el capítulo *Limpiar el labio rascador, la boquilla aspiradora y el rascador para suciedad gruesa*).
5. Dejar que el equipo se seque.
6. Montar el equipo.
7. Cargar la batería si fuera necesario (véase el capítulo *Carga de la batería*).

Almacenamiento

1. Almacenar el equipo limpio en un lugar limpio, seco y protegido contra el polvo.



Conservación y mantenimiento

⚠ **ADVERTENCIA**

Limpieza incorrecta

Peligro de fuego, lesión, descarga eléctrica

Desconecte el equipo.

Extraiga el enchufe de conexión del terminal de carga.

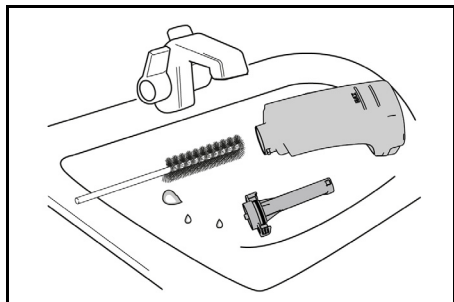
Nunca limpie el equipo bajo el grifo.

Limpiar el depósito de agua sucia

1. Vaciar el depósito de agua sucia (véase el capítulo *Vaciar el depósito de agua sucia*).
2. Retirar el cierre del depósito de agua sucia.

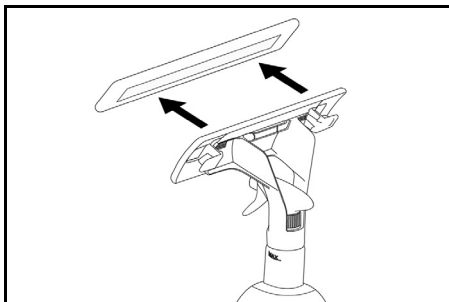


3. Limpiar a mano el depósito de agua sucia y el cierre.



Limpiar la bayeta de microfibra

1. Retirar la bayeta de microfibra del accesorio para limpiar o del adaptador.

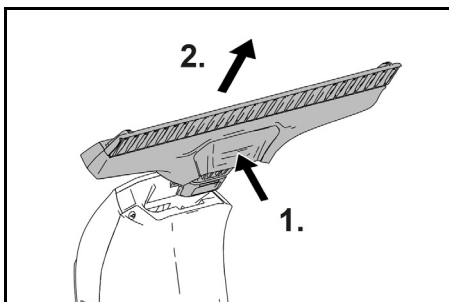


2. Lavar la bayeta de microfibra bajo el grifo.
3. De forma alternativa, la bayeta de microfibra se puede limpiar hasta 140 °F (60 °C) en el lavavajillas. Preste atención a las siguientes instrucciones de conservación:

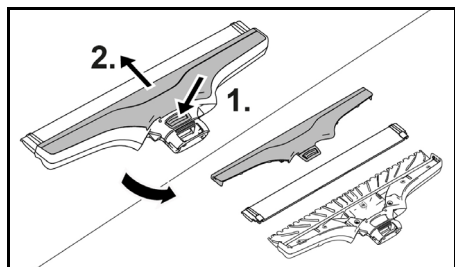
- No utilizar suavizante.
- No blanquear la bayeta de microfibra.
- No secar la bayeta de microfibra en la secadora.
- No planchar la bayeta de microfibra.

Limpiar el labio rascador, la boquilla aspiradora y el rascador para suciedad gruesa

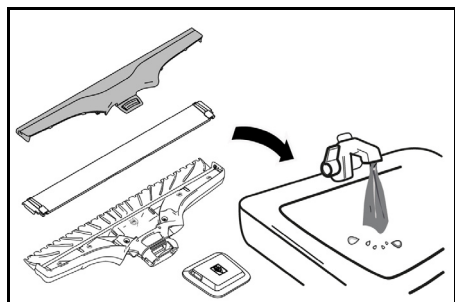
1. Desconectar el equipo.
2. Presionar la tecla de desbloqueo en la parte inferior de la boquilla aspiradora y extraer la boquilla aspiradora del equipo.



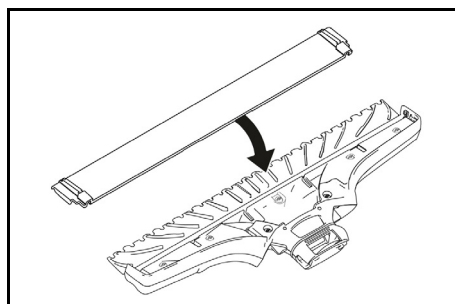
3. Presionar la tecla de desbloqueo en la parte superior de la boquilla aspiradora y deslizar el riel de sujeción hacia abajo desde la boquilla aspiradora.



4. Extraer lateralmente el labio rascador de la boquilla aspiradora.
5. Limpiar el labio rascador, la boquilla aspiradora y el rascador para suciedad gruesa con agua corriente.

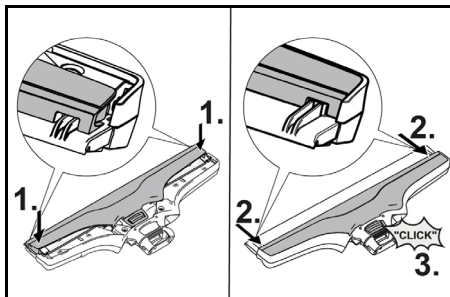


6. Una vez que esté seco, introducir el labio rascador en la boquilla aspiradora.



7. Colocar el riel de sujeción en el labio rascador y empujar hacia atrás hasta que encaje de forma audible en la boquilla aspiradora. Asegurarse de

que el riel de sujeción se desliza correctamente por las guías en el lateral de la boquilla aspiradora.



Ayuda en caso de fallos

A menudo, las causas de los fallos son simples y pueden solucionarse con ayuda del siguiente resumen. En caso de duda o fallos no mencionados aquí, póngase en contacto con el servicio de posventa.

Con el paso del tiempo, la capacidad de la batería disminuye aunque se conserve correctamente, por lo que ya no se alcanzará el tiempo de marcha completo aunque esté completamente cargada. Esto no se considera una avería.

El equipo no funciona

La batería no está cargada.

- Cargue la batería.

El equipo está defectuoso.

- Ponerse en contacto con el servicio técnico.

El bote pulverizador no funciona

En la botella pulverizadora no hay detergente.

- Llenar la botella pulverizadora con detergente.

El mecanismo de bombeo del cabezal pulverizador está defectuoso.

- Ponerse en contacto con el servicio técnico.

Se producen rayas durante el funcionamiento.

- Para evitar la aparición de rayas, véase el capítulo *Inicio del servicio*.

Códigos de error y descripción de los errores

Indicación en pantalla	Descripción de errores	Solución de errores
E1	Temperatura de la batería demasiado alta o demasiado baja.	<ul style="list-style-type: none">● Dejar enfriar/calentar el equipo.● Use y almacene el equipo solo en espacios habitables y a temperatura ambiente.
E2	Turbina de aspiración bloqueada debido a que se ha aspirado demasiado líquido o material sólido.	<ul style="list-style-type: none">● No aspire una gran cantidad de líquido de superficies horizontales.● No aspire polvo o material sólido.● Vacíe el depósito de agua sucia como máximo cuando alcance la marca de máximo.● Utilice únicamente detergente adecuado, sin alcohol ni limpiador con espuma. Lo ideal es el concentrado para la limpiadora de ventanas de KÄRCHER.
E3	Tensión de carga demasiado alta.	<ul style="list-style-type: none">● Utilice únicamente el cargador original suministrado o un cargador autorizado por KÄRCHER.
E4	Tensión de la batería <3 V.	<ul style="list-style-type: none">● Error interno del equipo, póngase en contacto con su distribuidor o con un servicio de postventa autorizado.
Lo	La batería está descargada.	<ul style="list-style-type: none">● Cargue la batería con el cargador original suministrado o con un cargador autorizado por KÄRCHER.

Eliminación de residuos



ADVERTENCIA

Este equipo contiene baterías de iones de litio. El desmontaje y la eliminación correctos de las baterías de iones de litio deben realizarse de acuerdo con las normativas nacionales y federales.

Preste atención a la siguiente información™ del SELLO RBRC.



EL SELLO RBRC™

El sello RBRC™ (Rechargeable Battery Recycling Corporation) en la batería (o paquete de baterías) de iones de litio indica que el coste de reciclaje de la batería (o paquete de baterías) al final de su vida útil ya ha sido pagado por KÄRCHER. En cooperación con KÄRCHER y otros fabricantes de baterías, RBRC ha establecido programas™ en EE.UU. para facilitar la recogida de baterías de iones de litio usadas. Ayude a proteger nuestro medio ambiente y a conservar los recursos naturales llevando la batería usada a un centro de servicio autorizado de KÄRCHER o a su empresa de reciclaje local. RBRC™ es una marca registrada de Rechargeable Battery Recycling Corporation.

- Retirar la batería del equipo antes de desecharla.
- No arrojar la batería al fuego o al agua.
- El reciclaje es posible porque los equipos KÄRCHER están fabricados con materiales reciclables de alta calidad.
- La batería debe reciclarse o desecharse de acuerdo con las leyes y normativas locales.



THANK YOU!

MERCI! ¡GRACIAS!



Register your product and benefit from many advantages.

Enregistrer votre produit et bénéficier de nombreux avantages.

Registre su producto y aproveche de muchas ventajas.

www.kaercher.com/welcome



Rate your product and tell us your opinion.

Évaluer votre produit et donner votre opinion.

Reseñe su producto y díganos su opinión.

Kärcher North America Inc.,
6398 N. Kärcher Way
Aurora, CO 80019
Tel: 1-800-537-4129

Kärcher Canada Inc.,
275 Pendant Drive, Mississauga,
Ontario L5T 2S9
Tel: +1-800-465-4980

Kärcher México S.A. de C.V.,
Circuito Poetas 68.
Col Ciudad Satélite, Naucalpan de Juárez,
Estado de México C.P. 53100, México
Tel: +52-55-2629-4900

www.kaercher.com/service

