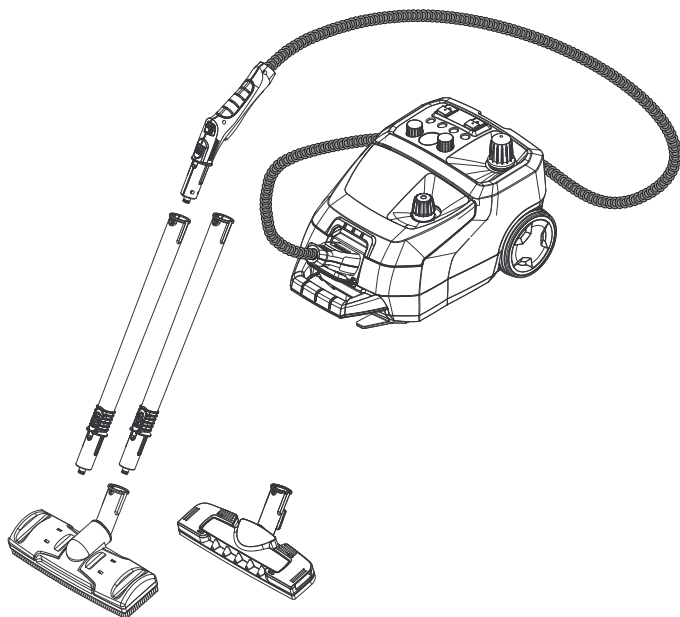


SG 4/4

English

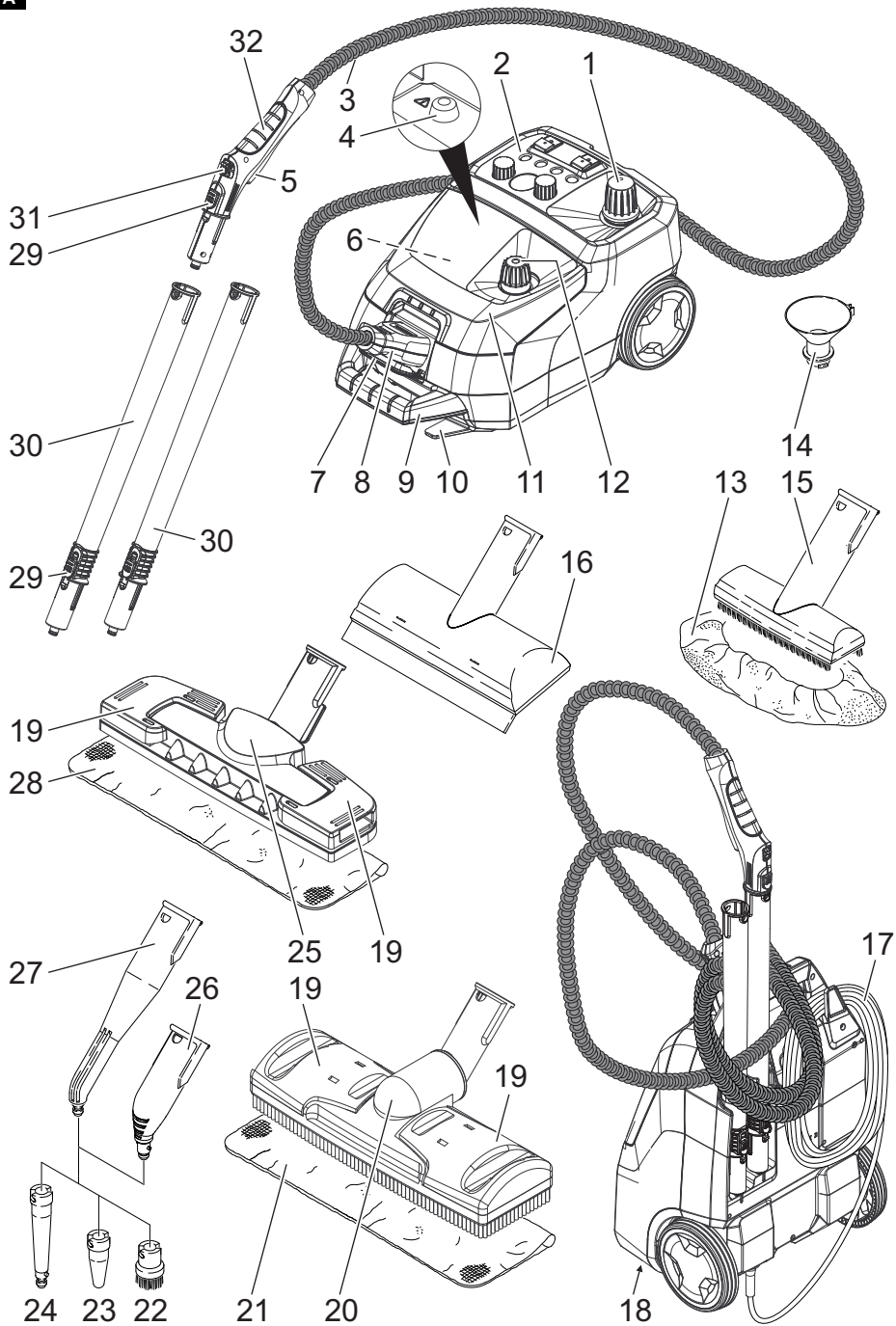
4

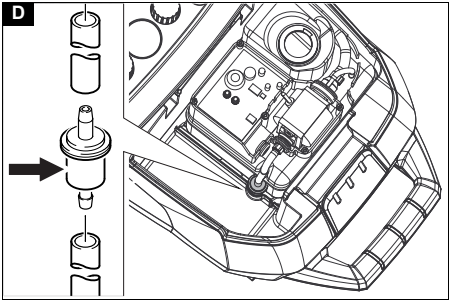
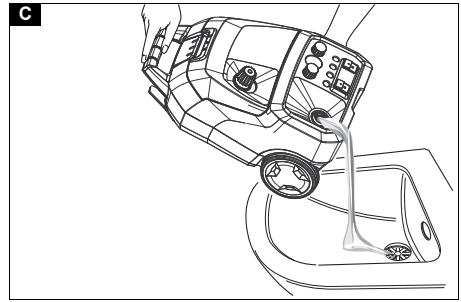
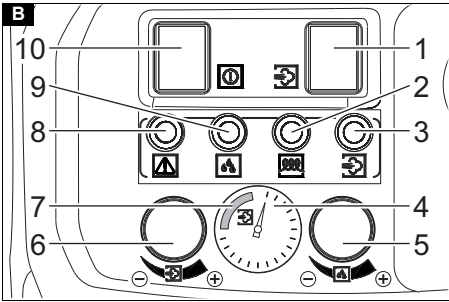


**Register
your product**
www.kaercher.com/welcome



59698760 (08/21)

A



Contents

| | |
|-----------------------------------|---|
| General notes | 4 |
| Environmental protection | 4 |
| Intended use | 4 |
| Symbols on the device | 4 |
| Overview of the device | 4 |
| Safety devices | 5 |
| Cleaning methods | 5 |
| Initial startup | 5 |
| Operation | 5 |
| Using accessories | 6 |
| Transport | 7 |
| Storage | 7 |
| Care and maintenance | 7 |
| Troubleshooting guide | 8 |
| Warranty | 8 |
| Accessories and spare parts | 8 |
| Declaration of Conformity | 8 |
| Technical data | 9 |

General notes



Read these original instructions and the enclosed safety instructions before using the device for the first time. Act in accordance with them.

Keep both books for future reference or for future owners.

- If the operating instructions and safety instructions are not observed, the device can be damaged and dangers could arise for users and other persons.
- Notify the dealer immediately in the case of shipping damage.
- Check the package contents when unpacking for missing accessories or for damage.

Environmental protection



The packing materials can be recycled. Please dispose of packaging in accordance with the environmental regulations.



Electrical and electronic appliances contain valuable, recyclable materials and often components such as batteries, rechargeable batteries or oil, which - if handled or disposed of incorrectly - can pose a potential threat to human health and the environment. However, these components are required for the correct operation of the appliance. Appliances marked with this symbol are not allowed to be disposed of together with the household rubbish.

Notes on the content materials (REACH)

Current information on content materials can be found at: www.kaercher.com/REACH

Intended use

- The appliance is intended for cleaning with steam and can be used with appropriate accessories as described in these operating instructions.
- This device is suitable for commercial use.
- This device is not suitable for industrial use.

Symbols on the device



Steam
ATTENTION - risk of scalding



Risk of burns from hot surfaces!

Overview of the device

Description of the device

Illustration A

- ① Safety lock (steam boiler)
- ② Control panel
- ③ Steam hose
- ④ Reset button - descaling
- ⑤ Steam switch
- ⑥ Accessory compartment
- ⑦ Device socket cover
- ⑧ Steam connector
- ⑨ Carrying handle
- ⑩ Cable hooks
- ⑪ Cover
- ⑫ Reservoir cap (fresh water tank)
- ⑬ Terry cloth cover
- ⑭ Filler funnel
- ⑮ Manual nozzle
- ⑯ Window nozzle (special accessory)
- ⑰ Mains cable
- ⑱ Type plate
- ⑲ Clip
- ⑳ Floor nozzle with bristles
- ㉑ Floor cleaning cloth (floor nozzle with bristles)
- ㉒ Round brush
- ㉓ Power nozzle (red)
- ㉔ Extension
- ㉕ Floor nozzle with slats
- ㉖ Spotlight nozzle (120 mm)
- ㉗ Spotlight nozzle (180 mm)
- ㉘ Floor cleaning cloth (floor nozzle with slats)
- ㉙ Locking button
- ㉚ Extension tube
- ㉛ Lock (child lock)
- ㉜ Steam gun

Control panel

Illustration B

- ① Switch - Fresh water tank pump
- ② Indicator light - Heating (yellow)
- ③ Indicator light - Steam boiler water shortage (red)
- ④ Temperature indicator
- ⑤ Rotary knob for VAPOHYDRO regulation
- ⑥ Rotary knob for steam quantity regulation
- ⑦ Working temperature range
- ⑧ Indicator light - Descaling (white)
- ⑨ Indicator light - Fresh water tank water shortage (red)
- ⑩ Switch - heating (on/off)

Colour coding

- Control elements for the cleaning process are yellow.
- Control elements for maintenance and servicing are light grey.

Safety devices

Safety devices protect the user and may not be disabled or functionally circumvented.

Pressure regulator

The pressure regulator keeps the boiler pressure as constant as possible during operation. The heating is switched off when the maximum operating pressure in the boiler has been reached and switched on again when the pressure in the boiler drops due to steam removal.

Water shortage thermostat

The heating temperature rises when the water in the boiler runs out. The water shortage thermostat switches the heating off and the "Steam boiler water shortage" indicator light lights up red. The heating cannot be switched on again until the boiler has cooled down or is refilled.

Safety thermostat

- If the water shortage thermostat fails and the device overheats, the safety thermostat switches the device off.
- Before resetting of the safety thermostat, contact the responsible KÄRCHER Customer Service.

Safety lock

- The safety lock seals the steam boiler against the steam pressure present. If the pressure regulator is defective and overpressure occurs in the steam boiler, an pressure relief valve opens in the safety lock and steam escapes through the lock.
- Before re-commissioning the device, contact the responsible KÄRCHER Customer Service.

Cleaning methods

Freshening textiles

Always check the compatibility of the textiles at a concealed point before using the device on textiles: First steam the textile, allow it to dry and then check it for any change in colour or shape.

Cleaning of coated or painted surfaces

Wax, furniture polish, plastic coatings or paint can come off or stains may occur when cleaning painted or plastic-coated surfaces such as e.g. kitchen and living room furniture, doors, parquet or linoleum. To clean these surfaces, steam a cloth briefly and wipe it over the surfaces.

Glass cleaner

Preheat the window pane in seasons with particularly low temperatures. To do this, lightly steam the entire glass surface at a distance of approx. 50 cm. This avoids tension on the surface that can lead to glass breakage.

Initial startup

Installing accessories

1. Open the cover of the device socket and plug the steam connector tightly into the device. The lugs of the plug must latch on the cover of the device socket.
2. Connect the accessory (floor nozzle, manual nozzle or spotlight nozzle) to the steam gun. Push the parts together until the locking button on the steam gun engages.
3. Use extension tubes if necessary. Push the parts together until the respective locking button engages.
4. Press the locking button to separate the accessories.

Filling water

Note

Distilled water (no limescale formation) can be used but this leads to faster wear of the boiler and is thus not recommended.

1. Check that the safety lock is seated tightly.
 2. Unscrew the reservoir cap from the fresh water tank.
 3. Insert the filler funnel into the fresh water tank and turn it to latch it in place.
 4. Pour approximately 2 litres of tap water into the fresh water tank.
- Do not use detergents!**
5. Unlock and remove the filler funnel.
 6. Screw the reservoir cap onto the fresh water tank.

Operation

Temperature indicator

The temperature indicator shows if the correct temperature range is being used (working temperature range).

Switching on the device

- The heating switches on periodically during use (indicator light lights up yellow) to maintain the pressure in the boiler.
 - If the device is switched on without water, the "Heating" indicator light lights up yellow until the water shortage thermostat switches the heating off. The "Steam boiler water shortage" indicator light then lights up red.
1. Plug the mains plug into a mains socket.
 2. Switch on the unit with the fresh water tank pump switch and the heating switch. The indicator lights light up.

Note

The full heating capacity is only available if the steam connector is connected to the device when it is heating up. The system is ready for operation when the "Heating" indicator light goes out.

Note

Do not stand the device upright when it is switched on. Otherwise the heating switches off automatically after a short time and the "Steam boiler water shortage" indicator light lights up red.

3. Switch off the heating at the switch when transporting the device.
4. Press the steam switch, steam comes out. Always point the steam gun at a cloth first until the steam flows out evenly.

Steam quantity regulation

Note

If the steam quantity regulation is set to a small quantity, steam may still escape briefly after releasing the steam switch until the pressure in the steam hose is released. This pressure can also be released more quickly by setting the steam quantity regulation to large quantity for a short time.

1. Adjust the steam quantity using the rotary knob on the device when working with standard accessories.

VAPOHYDRO regulation with rotary knob

- In wet areas, the dirt can also be washed away instead of being picked up with the cloth. For this, adjust the moisture content of the steam using the VAPOHYDRO regulation rotary knob. The higher the moisture content of the steam, i.e. the steam jet contains more water, the greater the flushing effect. The rinsing effect is greatest when the rotary knob is turned anticlockwise to the largest amount (+) so that a hot water jet is emitted.
- We recommend using the VAPOHYDRO in conjunction with the spotlight nozzle for e.g. cleaning in the bathroom.
- Turn the rotary knob of the VAPOHYDRO regulation clockwise to the smallest quantity (-) when working with cloths (floor nozzle, manual nozzle) to provide as little moisture as possible in the steam jet. This improves the dirt-dissolving power of the steam.

Note

The boiler empties more quickly when the rotary knob of the VAPOHYDRO regulation is turned anticlockwise to the largest quantity (+).

Refilling water

Note

An acoustic signal sounds and the "fresh water tank water shortage" indicator light lights up red when the water in the fresh water tank is used up.

Note

If the pump does not deliver water despite a full fresh water tank, the boiler must be descaled.

1. Fill a maximum of 2 litres of tap water into the fresh water tank using the filler funnel. The "Fresh water tank water shortage" indicator light goes out. The system is ready for operation when the "Heating" indicator light goes out.

Disconnecting accessories

⚠ DANGER

Danger from hot water

Risk of scalding

Never disconnect accessories while steam is being released as hot water may drip out. Allow the device to cool down first.

Switching off the device

Note

The residual water can remain in the device.

1. Switch off the device at the switch.
2. Fold down the cover of the device socket and pull the steam connector out of the device.
3. Pull the mains plug out of the socket.

Storing the device

Note

Always let the brushes cool down to prevent deformation of the bristles.

1. Place the manual nozzle, spotlight nozzles and small parts in the accessory compartment.
2. Wrap the mains cable around the cable hooks when the unit is stationary.
3. Insert the extension tubes individually into the recesses on the base of the unit.

Using accessories

Note

Detergent residues or care emulsions on the surface to be cleaned can cause streaks during steam cleaning, but these disappear after repeated use.

Steam gun

Application examples for the steam gun without accessories:

- Eliminate odours and creases from hanging clothes by steaming them at a distance of 10-20 cm.
- Removing dust from plants. Maintain a distance of 20-40 cm.
- Damp dusting by briefly steaming a cloth and wiping it over furniture.

Spotlight nozzle

- The cleaning effect increases the closer the nozzle is held to the dirty area, since the temperature and pressure of the steam are greatest at the emission point.
- The spotlight nozzle with the various attachments is suitable for cleaning hard-to-reach areas, such as e.g. corners, joints, etc., blinds, central heating, toilets, stainless steel, windows, mirrors, fittings, coated and enamelled surfaces and for loosening stains.
- The power nozzle increases the speed of the emitted steam. It is therefore well suited for cleaning particularly stubborn dirt, blowing out corners, joints, etc.

Note

The round brush is not suitable for cleaning sensitive surfaces.

Floor nozzle

Floor nozzle with bristles

- For abrasive cleaning of stubborn dirt.
- Suitable for all washable wall and floor coverings, e.g. stone floors, tiles and PVC floors. Work slowly on surfaces that are heavily soiled so that the steam has longer to take effect.

Floor nozzle with slats

- For hygienic cleaning of smooth surfaces, as the surface temperature is higher.
- For a hygienic cleaning result, steam directly over the hard surface at a working speed of max. 30 cm / second. In addition, set the VAPOHYDRO to the minimum level and steam pressure to the maximum level.

Using the floor cleaning cloth

Turn and change the floor cleaning cloth regularly to improve dirt absorption.

1. Fasten the floor cleaning cloth to the floor nozzle. To do this, fold the floor cleaning cloth lengthways and place the floor nozzle on it, open the retaining clips, place the ends of the cloth in the openings and stretch tightly, close the retaining clips.

⚠ CAUTION

Danger from retaining clips

Risk of crushing

Do not put your fingers between the retaining clips.

Manual nozzle

Suitable for small washable surfaces, shower cubicles, mirrors or furniture fabrics.

1. Pull the terry cloth cover over the manual nozzle.

Window nozzle (special accessory)

Order number 4.130-115.0

1. Steam the glass surface evenly at a distance of approx. 20 cm.
2. Switch off the steam supply.
3. Pull off the glass surface in strips from top to bottom with the squeegee.
4. Wipe the squeegee and the lower edge of the window dry after each run.

Wallpaper remover (special accessory)

Order number 2.863-076.0

The wallpaper remover can be used for removing wallpaper with the steam cleaner.

Note

In the case of multiple-painted wood-chip wallpaper, the steam may not be able to penetrate the wallpaper. In this case, preliminary work with a pin roller is recommended.

1. Apply the wallpaper remover to the edge of a wallpaper strip over the entire surface and allow steam to act until the wallpaper is soaked through (approx. 10 seconds).
2. Move the wallpaper remover without switching it off. Lift the dissolved piece of wallpaper with a spatula and peel it off the wall.

Transport

⚠ CAUTION

Failure to observe the weight

Risk of injury and damage

Be aware of the weight of the device during transportation.

1. For transport over short distances: Switch off the heating, place the device in an upright position, grasp the device by the carrying handle and the extension tube to carry it.
2. When transporting the device in vehicles, secure it to prevent it from slipping or overturning in accordance with the respective valid guidelines.

Storage

⚠ CAUTION

Failure to observe the weight

Risk of injury and damage

Be aware of the weight of the device during storage.

The device may only be operated indoors.

Care and maintenance

⚠ DANGER

Danger of electric shock

Injuries due to touching live parts

Switch off the device.

Remove the mains plug.

⚠ DANGER

Danger from hot water, steam and hot surfaces

Risk of scalding and burns

Allow the device to cool down prior to all work on the device.

Rinsing the boiler

Rinse the steam cleaner boiler at the latest after every 5th filling of the boiler.

1. Fill the steam boiler with water and shake it vigorously. Lime residue which has been deposited on the bottom of the steam boiler will be released as a result.
2. Pour out the water.

Illustration C

Descaling the boiler

In order to remove lime adhering to the boiler wall, we recommend cleaning the boiler with the KÄRCHER Bio Descaler RM 511. The KÄRCHER Bio Descaler RM 511 is a citric acid-based product that is completely biodegradable.

ATTENTION

Danger from unsuitable descaler

Risk of damage

Only use descalers that have been approved by

KÄRCHER in order to prevent damage to the device. Do not use vinegar or similar agents.

ATTENTION

Danger from descaling solution

Risk of damage

Never fill the descaling solution into the fresh water tank, as this will damage the pump.

1. Pull the mains plug out of the socket.
2. Drain the water completely out of the steam boiler.
3. Completely dissolve a two bags of descaler in 2 litres of warm water, stirring constantly.
4. Pour the descaling solution into the kettle. Do not screw the safety lock onto the device during the descaling process.

⚠ DANGER

Danger from inhalation of aerosols

Health risk

Do not use the device while descaler is still present in the boiler.

5. Allow the descaler solution to take effect for approx. 8 hours.
6. Pour out the descaling solution. Rinse the boiler at least two more times with cold water to ensure that there are no more residues in the device.
7. Switch on the device.
8. Press the reset button until the "Descaling" indicator light goes out. The device is now ready for use.

Note

After approx. 50 hours of operation, the "Descaling" indicator light indicates the next required descaling.

Replacing the filter

The filter may clog if contaminated water is used. This becomes evident through exceptionally long running times of the pump or complete functional failure.

1. Change the filter.

Illustration D

Troubleshooting guide

⚠ DANGER

Danger of electric shock

*Injuries due to touching live parts
Switch off the device.*

Remove the mains plug.

⚠ DANGER

Danger from hot water, steam and hot surfaces

Risk of scalding and burns

Allow the device to cool down prior to all work on the device.

⚠ DANGER

Danger from improper repair work

Risk of injury and damage

ave repair work carried out by the authorised customer service only.

The "Fresh water tank water shortage" indicator light lights up red

1. Refill water.

The "Descaling" indicator light lights up white

1. Descale the device.

Customer Service department

If the malfunction cannot be corrected, the device must be checked by the Customer Service department.

Warranty

The warranty conditions issued by our relevant sales company apply in all countries. We shall remedy possible malfunctions on your appliance within the warranty period free of cost, provided that a material or manufacturing defect is the cause. In a warranty case, please contact your dealer (with the purchase receipt) or the next authorised customer service site.
(See overleaf for the address)

Accessories and spare parts

Only use original accessories and original spare parts. They ensure that the appliance will run fault-free and safely.

Information on accessories and spare parts can be found at www.kaercher.com.

Special accessories

Only special accessories approved by the manufacturer may be used.

| Description | Order number |
|---------------------------------------|--------------|
| Bio descaler RM 511 (3x 100 g powder) | 6.295-987.0 |
| Caddy trolley | 6.962-239.0 |
| Bristle crown set with brass bristles | 2.863-075.0 |
| Bristle crown set | 2.863-077.0 |
| Microfibre cloth | 6.905-921.0 |

Declaration of Conformity

EU Declaration of Conformity

We hereby declare that the machine described below complies with the relevant basic safety and health requirements in the EU Directives, both in its basic design and construction as well as in the version placed in circulation by us. This declaration is invalidated by any changes made to the machine that are not approved by us.

Product: Steam cleaner

Type: 1.092-xxx

Currently applicable EU Directives

2009/125/EC

2014/30/EU

2014/35/EU

Harmonised standards used

EN 55014-1: 2017 + A11: 2020

EN 55014-2: 2015

EN 60335-1

EN 60335-2-54

EN 61000-3-2: 2014

EN 61000-3-3: 2013

EN 62233: 2008

National standards used

TRD 801

The signatories act on behalf of and with the authority of the company management.



H. Jenner

Chairman of the Board of Management



S. Reiser

Director Regulatory Affairs & Certification

Documentation supervisor:

S. Reiser

Alfred Kärcher SE & Co. KG

Alfred-Kärcher-Str. 28 - 40

71364 Winnenden (Germany)

Ph.: +49 7195 14-0

Fax: +49 7195 14-2212

Winnenden, 2020/10/01

Declaration of Conformity (UK)

We hereby declare that the product described below complies with the relevant provisions of the following UK Regulations, both in its basic design and construction as well as in the version put into circulation by us. This declaration shall cease to be valid if the product is modified without our prior approval.

Product: Steam cleaner

Type: 1.092-xxx

Currently applicable UK Regulations

S.I. 2010/2617 (as amended)

S.I. 2016/1091 (as amended)

S.I. 2016/1101 (as amended)

Designated standards used

EN 55014-1: 2017 + A11: 2020

EN 55014-2: 2015

EN 60335-1

EN 60335-2-54

EN 61000-3-2: 2014

EN 61000-3-3: 2013

EN 62233: 2008

National standards used

TRD 801

The signatories act on behalf of and with the authority of the company management.



H. Jenner

Chairman of the Board of Management



S. Reiser

Director Regulatory Affairs & Certification

Documentation supervisor:

S. Reiser

Alfred Kärcher SE & Co. KG

Alfred-Kärcher-Str. 28 - 40

71364 Winnenden (Germany)

Ph.: +49 7195 14-0

Fax: +49 7195 14-2212

Winnenden, 2020/10/01

Technical data

| | | SG 4/4 |
|-----------------------------------|-----------------|-----------------------|
| Electrical connection | | |
| Mains voltage | V | 110 |
| Phase | ~ | 1 |
| Power frequency | Hz | 50-60 |
| Steam gun voltage | V | 24 |
| Degree of protection | | IPX4 |
| Protection class | | I |
| Heating capacity | W | 1500 |
| Pump power | W | 50 |
| Device performance data | | |
| Water capacity | l | 4,0 |
| Tank capacity | l | 2,0 |
| Boiler capacity | l | 2,4 |
| Maximum operating pressure | MPa (bar) | 0,4 (4,0) |
| Permissible operating pressure | MPa (bar) | 0,6 (6,0) |
| Maximum working temperature | °C | 145 |
| Heating time per 1 litre of water | min | ca. 5,5 |
| Steam volume (max.) | g/min | 75 |
| Dimensions and weights | | |
| Typical operating weight | kg | 8,0 |
| Length x width x height | mm | 475 x 320 x 275 |
| Mains cable | | |
| Power cord type | mm ² | H07RN- F 3x1,5 |
| Part number (GB) | | 6.650- 710.0 |
| Cable length | m | 7,5 |

Subject to technical modifications.



THANK YOU!
MERCI! DANKE! ¡GRACIAS!



Registrieren Sie Ihr Produkt und profitieren Sie von vielen Vorteilen.

Register your product and benefit from many advantages.

Enregistrez votre produit et bénéficiez de nombreux avantages.

Registre su producto y aproveche de muchas ventajas.

www.kaercher.com/welcome



Bewerten Sie Ihr Produkt und sagen Sie uns Ihre Meinung.

Rate your product and tell us your opinion.

Évaluer votre produit et dites-nous votre opinion.

Reseñe su producto y díganos su opinión.



www.kaercher.com/dealersearch

Alfred Kärcher SE & Co. KG
Alfred-Kärcher-Str. 28-40
71364 Winnenden (Germany)
Tel.: +49 7195 14-0
Fax: +49 7195 14-2212

