

# KÄRCHER

**B 260 RI**  
**B 260 RI Combo**

English	2
Français	35
Español	70



**Register  
your product**

[www.kaercher.com/register](http://www.kaercher.com/register)



**EAC**

Read Online



5.980-048.0 (04/26)

## Contents

IMPORTANT SAFETY INSTRUCTIONS.....	2
OPERATOR QUALIFICATIONS.....	3
OPERATOR TRAINING.....	3
EXAMINATION, RE-TRAINING AND APPLICATION .....	3
OPERATIONAL SAFETY RULES AND PRACTICES .....	4
MAINTENANCE AND RESTORATION ACTIVITIES.....	5
FIRE SAFETY STANDARD.....	6
Customer Service .....	6
General notes .....	7
Function .....	7
Intended use .....	7
Environmental protection.....	7
Warranty .....	7
Accessories and spare parts.....	7
Scope of delivery .....	7
Safety instructions .....	7
Device description.....	9
Installation.....	11
Operation .....	15
Finishing operation .....	19
Gray intelligent key .....	20
Yellow Intelligent Key.....	21
White intelligent key.....	22
Transport .....	22
Storage .....	22
Care and maintenance .....	22
Troubleshooting guide .....	28
Technical data .....	31

## IMPORTANT SAFETY INSTRUCTIONS

Observe all basic precautions when using the device, including the following:

# READ ALL INSTRUCTIONS BEFORE USING THIS MACHINE

## ⚠ WARNING

- Risk of electric shock, burns and injuries
- Do not leave the device unattended with the mains plug inserted.
- Unplug from outlet when not in use and before servicing.
- Use the device indoors only.
- The device is not a toy. Exercise special care when using the device in the presence of children.
- Use only as described in this manual.  
Use only accessories recommended by the manufacturer.
- Do not use with damaged battery charger output cord or plug. If appliance is not working as it should, has been dropped, damaged, left outdoors, or dropped into water, have the device checked by our Customer Service department before using it.
- Do not pull or carry by the battery charger output cord, do not use battery charger output cord as a handle, do not close a door on the battery charger output cord, or pull battery charger output cord around sharp edges or corners. Do not run appliance over battery charger output cord. Keep battery charger output cord away from heated surfaces.
- Do not unplug by pulling battery charger output cord. To unplug, grasp plug.
- Do not handle battery charger or appliance with wet hands.

- Never insert objects into the device openings. Do not use the device if the device openings are blocked. Keep openings free of lint, hair, dust, and anything that obstructs airflow.
- Switch off the device before pulling out the mains plug.
- Keep hair, loose clothing, fingers, and all parts of the body away from openings and moving parts.
- Exercise caution when using the device on stairs.
- Do not use the device to pick up flammable or inflammable liquids, such as e.g. gasoline and do not use in areas where these fluids may be present.
- Only connect the device to a properly grounded socket (see chapter *Grounding regulations*).

## ATTENTION

- This device complies with Part 15 of the FCC rules and the Industry Canada license, excluding the RSS standard.  
Operation takes place under the following two conditions:
  - 1 This device may not cause harmful interference, and
  - 2 This device must receive any interference received, including interference that may cause undesired operation.

## ATTENTION

- Changes or modifications to the device that have not been expressly approved by KÄRCHER will void the FCC approval for operating this device.

## Note

- This equipment has been tested and found to comply with the limits for a class B digital device, pursuant to part 15 of the FCC rules.
- These limit values are designed to provide adequate protection against harmful interference in residential areas.
- This equipment generates, uses and can radiate radio frequency electricity. If it is not installed and used in accordance with the instructions, this can cause harmful interference to radio communications.
- However, there is no guarantee that interference will not occur in a particular application.
- If the device causes interference to radio or television reception, which can be determined by turning the device off and on, we recommend that you eliminate the interference by one or more of the following measures:
  - Change the orientation or location of the receiving antenna.
  - Increase the separation between the equipment and the receiver.
  - Connect the equipment into an outlet on a circuit different from that to which the receiver is connected.
  - Contact a specialist dealer or an experienced radio / television technician.

# SAVE THESE INSTRUCTIONS

## Grounding regulations

- This appliance must be grounded. If it should malfunction or break down, grounding provides a path of least resistance for electric current to reduce the risk of electric shock.
- This appliance is equipped with a cord having an equipment grounding conductor and ground plug.

- The plug must be inserted into an appropriate outlet that is properly installed and grounded in accordance with all local codes and ordinances.

## **⚠ WARNING**

- Improper connection of the equipment grounding conductor can result in a risk of electric shock.
- Check with a qualified electrician or service person if you are in doubt as to whether the outlet is properly grounded.
- Do not modify the plug provided with the appliance.
- If it will not fit the outlet, have a proper outlet installed by a qualified electrician.
- This device is approved for use on a 120 V mains power circuit and has a plug as shown in Illustration A.
- Make sure the device is plugged into an outlet that has the same configuration as the plug.
- Do not use an adapter with this device.

### **ONLY CONNECT THE DEVICE TO A PROPERLY GROUNDED SOCKET**

- ① Grounded socket
- ② Grounded socket housing
- ③ Ground pin

## **OPERATOR QUALIFICATIONS**

Only trained and authorized persons are allowed to operate the powered floor cleaner. Operators of powered floor cleaners must be qualified with the visual, acoustic, physical and mental abilities needed to operate the equipment safely.

## **OPERATOR TRAINING**

Personnel who have not been trained in the operation of powered floor cleaners may only use a floor cleaner for training purposes, under the direct supervision of the trainer. This training should be conducted in an area away from other trucks, obstacles and pedestrians.

The operator training program should include the user's guidelines for the location where the trainee will operate the floor cleaner, the operating conditions for that location, and the specific floor cleaner the trainee will operate. The training program must be presented to all new operators regardless of previous experience.

The training body must inform the trainee of the following:

- 1 The operator's primary responsibility is to use the powered floor cleaner safely as instructed in the training program.
- 2 Unsafe or improper operation of a powered floor cleaner can result in the following: Death or serious injury to the operator or other persons; damage to the powered floor cleaner or other objects.

The training program should highlight safe and proper operation to prevent injury to the operator and others, and to prevent property damage, and should cover the following areas:

- 1 The basics of the powered floor cleaners that the trainee will operate:
  - The properties of powered floor cleaners, including variations between powered floor cleaners in the workplace
  - The similarities and differences to automobiles
  - The meaning of the type plate data, warnings and instructions affixed to the powered floor cleaner

- The instruction manual and warnings in the instruction manual of the powered floor cleaner and the instructions for inspection and maintenance by the operator
  - The type of driving force and its properties
  - The steering method
  - The braking method and characteristics
  - The view forwards and backwards
  - The stability characteristics with and without load, with and without attachments
  - The positions of the control elements, the function, the type of operation, the identification of symbols
  - Charging of the battery
  - The isolating and non-isolating protective devices for the specific powered floor cleaner
  - Other properties for the specific powered floor cleaner
- 2 The operating environment and its effects on the operation of the powered floor cleaner including the following:
    - The soil conditions, including transient conditions
    - Ramps and gradients
    - The battery charging stations
    - Narrow aisles, doors, overhead lines, above-ground pipelines and other areas with limited space
    - The areas in which the powered floor cleaner is operated in the vicinity of other industrial trucks, other vehicles or pedestrians
    - The use and capacity of elevators
    - Operation near loading ramps or the edges of upgraded surfaces
    - Other special operating conditions and hazards that may arise
  - 3 The operation of the powered floor cleaner including the following points:
    - Proper checks prior to each initial startup and authorized shutting down of a powered floor cleaner in need of repair
    - Driving, cornering
    - The parking and shutdown procedure
    - Other special operating conditions for the specific application
  - 4 The rules and practices of operational safety including the following points:
    - The provisions of this standard in chapter *OPERATIONAL SAFETY RULES AND PRACTICES*
    - Other employer rules, regulations, or practices in the location where the powered floor cleaner is used
  - 5 Company training practice, including the following:
    - If possible, practical training using the powered floor cleaner should take place in an area that is separate from other activities or personnel in the workplace.
    - The practical training is to be carried out under the supervision of the trainer.
    - The practical training should include the actual operation or the simulated execution of all tasks in the company, such as maneuvering, driving, stopping, starting and other activities under the conditions encountered when operating the powered floor cleaner.

## **EXAMINATION, RE-TRAINING AND APPLICATION**

- 1 During the training, the employer must provide both performance tests and oral and / or written tests to measure the operator's skills and knowledge in meeting the requirements of the standard. Employers can delegate

such tests to others, but remain responsible for the tests. Corresponding records are to be kept.

- 2 Operators are to be retrained when new equipment is introduced, existing equipment is upgraded, operating conditions change, or an operator's performance is unsatisfactory.
- 3 The user is responsible for ensuring the safe use of the powered floor cleaner in accordance with the provisions of this standard.

## Note

Operator training information is available from sources such as powered floor cleaner manufacturers, government agencies dealing with employee safety, industrial trucking trade associations, public and private organizations, and safety advisers.

## OPERATIONAL SAFETY RULES AND PRACTICES

### Operator responsibility

Safe operation is the responsibility of the operator.

The operator must develop safe work habits and be aware of dangerous conditions in order to protect himself, other personnel, the powered floor cleaner and other material. The operator must familiarize himself with the operation and function of all control elements and instruments before agreeing to operate the device.

Before operating the device, operators must read and be familiar with the operating instructions for each device and observe the safety rules and practices in the following paragraphs.

Before operating any equipment, the operator must be familiar with unusual operating conditions that may require additional safety precautions or special operating instructions.

### General

Before initial startup the powered floor cleaner:

- 1 Be in the operating position.
- 2 Set the direction controller to the neutral position.
- 3 Apply the brake.
- 4 Set the switch to the "ON" position.

Do not start the device or operate the device, its functions or attachments from a location other than the specified operator position.

Keep hands and feet within the designated area for the operator or in the equipment compartment.

Understand the limitations of the device and operate the device safely so as not to cause injury to personnel. Protect pedestrians at all times.

- 1 Do not drive a powered floor cleaner towards people standing in front of an object.
- 2 Before turning maneuvers, ensure that personnel stay away from the rear swivel range.
- 3 Particular caution is required at front aisles, doors and other places where pedestrians can step into the path of the powered floor cleaner.

Do not allow passengers to drive with powered floor cleaners unless the manufacturer has provided a safe place to drive.

A powered floor cleaner is supervised when the operator is in sight, less than 25 ft (7.6 m) from the device.

A powered floor cleaner will not be supervised if the operator is in sight more than 25 ft (7.6 m) from the device or

whenever the operator leaves the device and it is not in sight.

Before leaving the driver's position:

- 1 Bring the device to a standstill.
- 2 Set the direction controller to the neutral position.
- 3 Apply the parking brake.
- 4 Stop the engine or switch off the controls.
- 5 If the machine has to be parked on an incline, lock the wheels.

Maintain a safe distance from the edge of ramps, platforms and similar work areas.

When powered floor cleaners are being driven on or off long distance trucks or trailers, apply the brakes on the truck or trailers and use wheel chocks or other safe mechanical means to prevent unintentional movement of the truck or trailer.

Whenever powered floor cleaners are driven on and off semi-trailers that are not coupled to a tractor, supports may be required to prevent corners from tipping or diving. Care must be taken that overhead installations such as lights, cables, pipes, sprinkler systems, etc. are not touched.

Report all accidents involving personnel, building structures and equipment to the supervisor or as instructed.

Do not make any additions or modifications to the device. Do not block access to escape routes, stairs or fire extinguishers.

### Driving

Observe all traffic regulations including the permitted speed limits. Drive on the right under normal traffic conditions. Maintain a safe distance based on the travel speed of the vehicle in front and keep the device under control at all times.

Give the right of way to pedestrians and emergency vehicles such as ambulances and fire engines.

Do not overtake another truck at intersections, blind spots or other dangerous places.

At the intersections of aisles and other places where visibility is impaired, reduce the travel speed and sound the acoustic warning device.

If possible, cross the railroad tracks at an angle. Park no closer than 6 ft (1800 mm) to the nearest rail of a railway line.

Travel up and down gradients slowly and with caution. If possible, avoid turning and be extremely careful on gradients, ramps or slopes; normally travel straight up and down the gradient.

Maintain a clear view of the route and pay attention to other traffic, personnel and safety distances.

Operate the device in driving conditions at a speed sufficient to bring the device to a safe stop.

Carry out starts, stops, rotations or turns in a gentle manner so as not to shift the load and / or overturn the powered floor cleaner.

Do not perform stunt rides or mischief.

Reduce the travel speed on wet and slippery floors.

Before driving over a slatted frame or a bridge plate, make sure that it is properly secured. Drive carefully and slowly over the slatted frame or bridge plate and never exceed the load-bearing capacity.

Do not drive the powered floor cleaner into an elevator unless expressly authorized. Drive slowly towards the elevator and then enter immediately after the elevator car has

been properly leveled. As soon as you are in the elevator, put the control elements in neutral, switch off the power and apply the brakes. It is advisable that everyone else exits the elevator before the powered floor cleaner is allowed to enter or exit the elevator.

When cornering, reduce your speed to a safe level that is compatible with the operating environment. Take the curves gently. Except when maneuvering at very low speed, turn the steering moderately and smoothly.

The operation of a powered floor cleaner requires special safety aspects such as the following:

- 1 A powered floor cleaner can tip over if an operator does not slow down to a safe speed before cornering. Signs that a truck is being driven at excessive speed during turning maneuvers include:
  - Skidding of the tires
  - Device sliding away
  - Lifting of the wheels and
  - The need to firmly grip the steering wheel so as not to slip out of the seat
- 2 The chance of a side tipping is increased under any of the following conditions or a combination thereof:
  - Driving on an uneven surface
  - Driving at excessive speed
- 3 Tipping forward can occur and its likelihood is increased under the following conditions or a combination thereof:
  - The operator should stay with the powered floor cleaner if it falls off a loading ramp or ramp. The operator should hold on tight and lean away from the point of impact.
  - If the environment presents a serious hazard or other abnormal operating conditions exist, the user may need to use different and / or additional safety precautions and special operating instructions as appropriate for the conditions.

### **Maintenance of the device by the operator**

At the beginning of each shift and before operating the powered floor cleaner, its condition must be checked, paying particular attention to the following:

- Condition of tires
- Check the tire pressure for pneumatic tires
- Warning and safety devices
- Lights
- Battery
- Controls
- Lifting and tipping systems
- Chains and cables
- Limit switches
- Brakes
- Steering mechanism
- Additional items or special equipment as specified by the user and / or manufacturer

If it is determined that the device is in need of repair, is in any way unsafe or contributes to an unsafe condition, the matter must be reported immediately to the user-designated authority and the device must not be put into service until it has been returned to a safe operating condition.

If the device becomes unsafe in any way during operation, the matter must be reported immediately to the authority designated by the user, and the device must not be put into service until it has been returned to a safe operating condition.

Do not make any repairs or adjustments unless expressly authorized.

Do not use an open flame when checking the electrolyte level in batteries.

## **MAINTENANCE AND RESTORATION ACTIVITIES**

Operation of the device can be dangerous if maintenance is neglected or repairs, modifications or adjustments are not carried out in accordance with the manufacturer's design criteria. Therefore, maintenance facilities (on-site or off-site), trained personnel, and detailed procedures should be provided.

Parts manuals and maintenance manuals are available from the manufacturer of the powered floor cleaner.

In unusual cases that are not dealt with in the above manuals, contact the manufacturer of the powered floor cleaner. Maintenance and inspection of the device must be performed in accordance with the following practices:

- 1 A scheduled maintenance, lubrication and inspection system must be observed. Consult the manufacturer's recommendations.
- 2 Only trained and authorized personnel may maintain, repair, adjust and inspect the device in accordance with the manufacturer's instructions.

When lifting a powered floor cleaner for repair or inspection, the device must be lifted safely and stably. Removing components such as counterweights or posts changes the center of gravity and can lead to an unstable condition. Before starting the inspection and repair of the powered floor cleaner:

- 1 Raise the drive wheels off the ground, disconnect the battery, and use wheel chocks or other secure truck positioning device.
- 2 Block the chassis before working on it.
- 3 Disconnect the battery before working on the electrical system.
- 4 The charging plug may only be connected to the battery connection and never to the unit plug.

Operation of the powered floor cleaner to test the performance must be carried out in an approved area having a safe clearance.

- 1 Before initial startup:
  - Be in the operating position.
  - Apply the brake.
  - Set the direction controller to the neutral position.
  - Set the switch to the "ON" position.
  - Check the function of the lifting and tilting systems, steering, warning devices and brakes.
- 2 Before leaving the unit:
  - Stop the device.
  - Set the direction controller to the neutral position.
  - Apply the parking brake.
  - Stop the engine or switch off the controls.
  - Switch off the control circuit
  - If the machine has to be parked on an incline, lock the wheels.

Avoid fire hazards and have fire protection equipment ready in the work area. Do not use an open flame to check the fluid level, especially of battery electrolytes. Do not use open pans of fuel or flammable cleaning fluids to clean parts.

Properly ventilate the work area, discharge exhaust gases and keep the workshop clean and dry.

The brakes, steering mechanisms, control mechanisms, warning devices, lighting, controls, protection and safety devices, stops for the articulated axles and the frame parts must be checked carefully and regularly and kept in a safe operating condition.

## FIRE SAFETY STANDARD

Devices that are not in a safe operating state must be taken out of service.

Repairs may not be made in Class I, Class II, and Class III locations.

Repairs to the electrical system of battery-operated floor cleaners may only be made after the battery has been disconnected.

**Operating temperature.** If it is determined that any part of a powered floor cleaner is above its normal operating temperature and poses a hazard, the vehicle should be taken out of service and not restarted until the cause of such overheating has been eliminated.

**Fire protection.** The device must be kept in a clean condition and reasonably free of lint, excess oil and grease. Non-flammable agents are preferred for cleaning the device. Flammable liquids [those with flash points at or above 100 °F (37.8 °C)] are not permitted. Precautions regarding toxicity, ventilation and fire hazard must be appropriate for the agent or solvent used.

**Visibility of the type plate.** The type designations of the device stated on the type plate and the type markings must not be painted over so that their identification information is covered.

**Changing and charging batteries.** This section applies to batteries used in electric trucks. The two types of batteries are generally lead and nickel-iron batteries. They contain corrosive chemical solutions, either acidic or alkaline, and therefore pose a chemical hazard. While charging, they emit hydrogen and oxygen, which are explosive in certain concentrations. Battery charging systems must be located in designated areas; these areas must be kept free of combustible foreign matter.

Facilities must be provided for:

- 1 Flushing off spilled electrolyte
- 2 Fire protection
- 3 Protecting chargers from damage by trucks, and
- 4 Adequate ventilation to disperse the fumes from gas batteries

If on-board chargers are used, charging must take place at the designated locations, taking into account the electrical requirements for the charger and the fire protection equipment.

*Exception: Rinsing facilities are not required if the charging process is carried out without removing the battery from the vehicle.*

When handling acid concentrates with more than 50 percent acid (over 1,400 specific gravity), an eye-wash device must be provided.

A conveyor belt, ceiling hoist, or equivalent material handling equipment should be provided for handling batteries. Chain hoists must be equipped with load chain containers. When using a hand winder, uncovered batteries must be covered with a sheet of plywood or other non-conductive material to prevent the hand chain from shorting out the cell connections or terminals. A properly insulated spreader bar must be used with every ceiling hoist.

Reinstalled or new batteries must meet or exceed the battery type specified on the device. Newly inserted batteries must be properly positioned and secured in the device.

When using acid supplied in balloons, a balloon tipper or siphon must be provided. When concentrated sulfuric acid is diluted into electrolyte, the acid must ALWAYS be added to the water - not the other way around. Battery maintenance personnel must wear protective clothing such as eye protection, long sleeves and gloves.

*Exception: No protective clothing is required for removing and replacing batteries.*

Electrical installations must comply with NFPA 70, national electrical codes, and all local codes.

Trained and authorized personnel must change or charge the batteries.

The powered floor cleaner must be correctly positioned and the brakes must be applied before attempting to change or recharge the batteries.

When charging batteries, the vent caps must remain in place to prevent the electrolyte from spraying. Make sure that the vent caps work. The battery (or compartment) cover (s) must be open to dissipate heat and gas.

Smoking is prohibited in the charging area.

Precautions should be taken to prevent open flames, sparks, or electrical arcs in battery charging areas.

Tools and other metallic objects must be kept away from the lids of uncovered batteries.

The device must not be used in classified areas.

## Customer Service

### Registration

Your device must be registered in order to help with any questions or issues that you have. You can register your device at [www.karcher-register.com](http://www.karcher-register.com) if located in the U.S.A., [www.karcher.com/ca](http://www.karcher.com/ca) if located in Canada, or [www.karcher.com/mx](http://www.karcher.com/mx) if located in Mexico.

### Warranty

In the case of a warranty claim, you can contact customer support. Please see the contact information listed below for either the USA, Canada or Mexico. You MUST provide your proof of purchase in order to file a warranty claim either via e-mail, phone or fax.

### USA Customer Service

You can contact our Customer Service department by phone at **1-800-537-4129** or via the website at [www.karcher-help.com](http://www.karcher-help.com).

### Mexico Customer Service

You can contact our Customer Service department by phone at **01-800-024-1313** or via the website at [www.karcher.com/mx](http://www.karcher.com/mx).

### Canada Customer Service

You can contact our Customer Service department by phone at **1-800-465-4980** or via the website at [www.karcher.com/ca/support](http://www.karcher.com/ca/support).

### Scope of delivery

The scope of delivery for the appliance is shown on the packaging. During unpacking, check the contents for completeness. If any accessories are missing or in the event of any shipping damage, please notify our Customer Service department as stated above either by phone or via the website.

## General notes



Read these original operating instructions and the enclosed safety instructions before using the device for the first time. Proceed accordingly. Keep both books for future reference or for future owners.

## Function

This scouring and vacuum machine is used for wet cleaning or polishing of level floors.

In the Combo variant, the device collects loose dirt prior to cleaning by means of a sweeping mechanism.

The device can be adjusted to suit the respective cleaning task by adjusting the water quantity, contact pressure, brush speed, detergent volume and travel speed.

A working width of 1000 mm or 1200 mm and a capacity of 260 l in the fresh and waste water tank each enable effective cleaning with long working times.

The device has a travel drive, the driving motor is powered by a traction battery.

**With lead battery variant:** The batteries can be charged by means of a charger at a 230-V socket.

**With Li-Ion battery variant:** The batteries can be charged by means of a charger at a 400-V socket.

Batteries and charger are already supplied with the package variants.

## Note

The device can be equipped with various accessories to suit the respective cleaning task. Request a copy of our catalogue or visit our Internet website at [www.kaercher.com](http://www.kaercher.com).

## Intended use

This device is suitable for commercial and industrial use, e.g. logistics halls, factories, industrial systems, car parks, trade fairs and retail premises. Use the device only in accordance with the information in these operating instructions.

- The device may only be used for cleaning floors that are insensitive to water and polishing.
- The device is designed for cleaning indoor floors or covered areas. For other application areas, the use of alternative brushes or the use of the sweeping mechanism must be checked.
- The operational temperature range is between +5 °C and +40 °C.
- The device is not suitable for cleaning frozen floors (e.g. in cold stores).
- With the Combo variant: The device may be driven over steps up to a maximum height of 2 cm.
- The device may not be operated without a fluff filter in the waste water tank.
- The device is not intended for cleaning public traffic routes.
- The device must not be used on pressure-sensitive floors. Take into account the permissible load per unit area of the floor. The area load imposed by the device is specified in the *Technical data*.
- The device may only be fitted with original accessories and spare parts.
- The device is not suitable for use in potentially explosive environments.
- No flammable gases, undiluted acids or solvents may be taken up with the device. These include petrol, paint thinner or heating oil, which can form explosive mixtures

in the suction air turbulence. Do not use acetone, undiluted acids or solvents, as these corrode the materials used on the device.

## Environmental protection



The packing materials can be recycled. Please dispose of packaging in accordance with the environmental regulations.



Electrical and electronic appliances / devices contain valuable, recyclable materials and often components such as batteries, rechargeable batteries or oil, which - if handled or disposed of incorrectly - can pose a potential threat to human health and the environment. However, these components are required for the correct operation of the appliance / device. Appliances / devices marked by this symbol are not allowed to be disposed of together with the household trash.

### Notes on the content materials (REACH)

Current information on content materials can be found at: [www.kaercher.de/REACH](http://www.kaercher.de/REACH)

## Warranty

The warranty conditions issued by our relevant sales company apply in all countries. We shall remedy possible malfunctions on your appliance within the warranty period free of cost, provided that a material or manufacturing flaw is the cause. In a warranty case, please contact your dealer (with the purchase receipt) or the next authorised customer service site.

(See overleaf for the address)

Further warranty information (if available) can be found in the service area of your local KÄRCHER website under "Downloads".

## Accessories and spare parts

Only use original accessories and original spare parts. They ensure that the appliance will run fault-free and safely.

Information on accessories and spare parts can be found at [www.kaercher.com](http://www.kaercher.com).

## Scope of delivery

During unpacking, check the contents for completeness. If any accessories are missing or in the event of any shipping damage, please notify your dealer.

## Safety instructions

Before using the device for the first time, read and observe these operating instructions and the accompanying brochure: Safety instructions for brush cleaning devices, No. 5.956-251.0.

The device is approved for operation on surfaces with a specified maximum incline (see chapter "Technical Data").

### **WARNING**

#### The device can tip over

Danger of injury

Only operate the device on surfaces that do not exceed the permitted incline (see chapter "Technical Data").

### **WARNING**

#### Risk of accident due to incorrect operation

People can be injured.

Operators must be properly trained on how to use this machine.

The device may only be operated when the hood and all covers are closed.

## Notes on the battery (rechargeable battery) and charger

The Li-Ion version has built-in lithium-ion batteries. These are subject to special criteria. Removal and installation as well as testing of defective batteries may only be carried out by Kärcher customer service or a qualified specialist. For storage and transport instructions, please contact your Kärcher Customer Service.

### **⚠ DANGER**

Modifications and alterations to the device are not permitted.

You must not open the battery, there is a danger of a short circuit. Irritating vapours or corrosive liquids can also escape.

Do not expose the battery to strong sunlight, heat or fire. There is a danger of explosion.

Do not operate the charger in an explosion-hazard environment.

Do not use a dirty or wet charger.

Ensure sufficient ventilation during the charging process. Danger of explosion. Keep naked flames away from the battery or the battery charging room, and do not generate sparks or smoke in the vicinity of a battery of a battery charging room.

Danger of explosion. Do not place any tools or objects on the battery, i.e. on the end poles and cell connectors.

### **⚠ WARNING**

Check the device and the mains cable for damage before each use. Do not use damaged devices and have damaged parts repaired by qualified personnel only.

Keep children away from batteries and charger.

Do not charge damaged batteries. Have damaged batteries replaced by Kärcher customer service.

Do not throw a defective battery in the household rubbish. Inform Kärcher Customer Service.

Avoid contact with fluid leaking from defective batteries. In case of accidental contact, rinse the liquid with water. In case of contact with the eyes, consult a doctor as well.

### **⚠ CAUTION**

Be sure to observe these operating instructions. Adhere to the recommendations of the legislature regarding the handling of batteries.

The mains voltage must match the voltage indicated on the type plate of the device.

Use the charger for charging approved battery packs only. Operate the battery only with this device. It is forbidden and dangerous to use it for other purposes.

## Safety devices

### **⚠ WARNING**

#### **Danger of injury!**

Serious injuries due to missing, modified or ineffective safety devices.

Do not bypass or remove the safety devices and do not render them ineffective. Safety devices are provided for your own protection.

## Safety button

For immediate shut down of all functions: Set the safety button to "0".

- The device brakes hard when the safety button is switched off.


- The safety button acts directly on all unit functions

## Seat switch

If the operator leaves the seat during work or while driving, the seat switch switches off the drive motor after a short delay.

## Warning symbols

Observe the following warnings when handling the batteries:

	Observe notes in the instructions of the battery, on the battery and in these operating instructions.
	Wear eye protection.
	Keep acids and batteries away from children.
	Risk of explosion
	Fire, sparks, open flames and smoking are prohibited.
	Risk of acid burns
	First aid.
	Warning
	Disposal
	Do not dispose of used batteries in the residual waste.

### **⚠ DANGER**

#### **Risk of injury through heat and explosion if the batteries are short-circuited!**

If batteries are short-circuited, very high currents flow that can strongly heat objects and cause fires. Heat and sparks can cause explosions.

Do not short-circuit the batteries. Do not place any objects on the batteries.

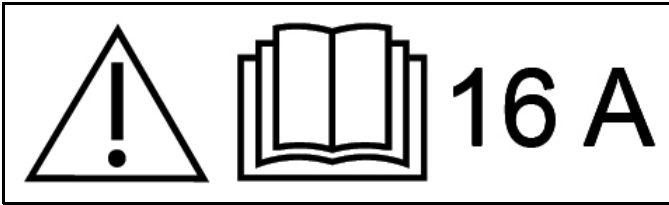
Do not wear electrically conductive objects (e.g. jewellery, watches, necklaces) on your body or in/on your clothing. Only use insulated tools.

### **⚠ DANGER**

#### **Risk of injury!**

Ensure that wounds never come into contact with lead. Always clean your hands after working on batteries.

## Symbols on the charger



### ⚠ DANGER

#### Risk of fire

When plugged into a socket or in the event of poor electrical connection between the plug and the socket, the charger plug and the socket used may get very hot.

Before plugging in the mains plug, make sure that the socket is approved for a current of 16 A and that it is in a technically sound condition.

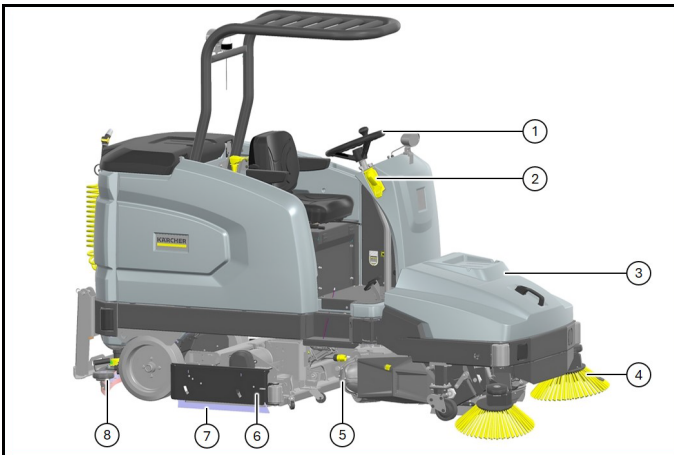
Make sure that the mains plug is clean and in good condition.

### ⚠ CAUTION

Do not operate the device together with other devices on extension cables with multiple sockets.

## Device description

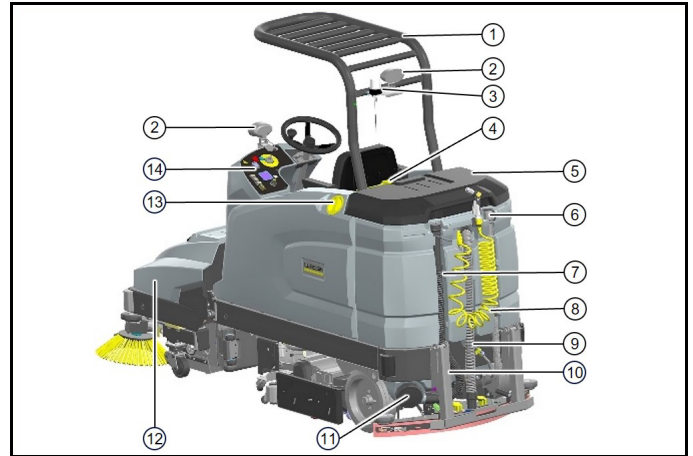
### Device overview, front



- ① Steering wheel
- ② Fresh water tank automatic filling system
- ③ Pre-sweeping unit\*\*\*
- ④ Side brushes\*
- ⑤ Driving motor
- ⑥ Squeegee blade holder
- ⑦ Squeegee blade
- ⑧ Suction bar

\*\*\* Nur Variante Combo

## Device overview, rear

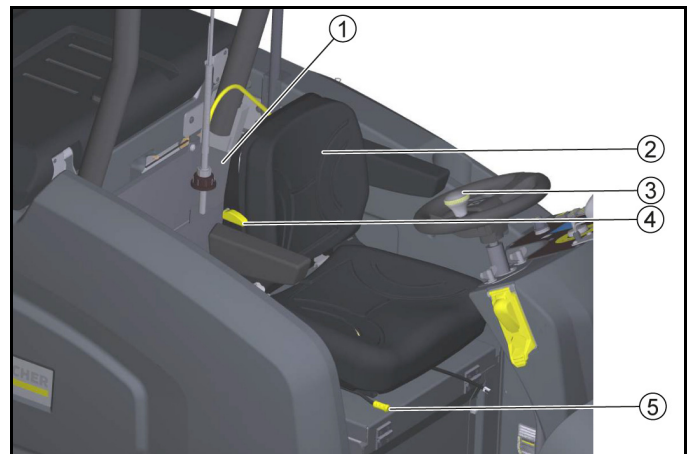


- ① Overhead guard\*
- ② Blue spotlight rear/ front\*
- ③ Flashing beacon\*
- ④ Suction lance for DOSE detergent dosing unit\*
- ⑤ Waste water tank cap
- ⑥ Fresh water drain hose
- ⑦ Waste water drain hose
- ⑧ Manual tank cleaning - spray gun
- ⑨ Suction hose
- ⑩ Suction beam ram protection\*
- ⑪ Waste water tank inspection opening
- ⑫ Pre-sweeping unit\*\*\*
- ⑬ Fresh water lid
- ⑭ Control panel

\* Optional

\*\*\* Nur Variante Combo

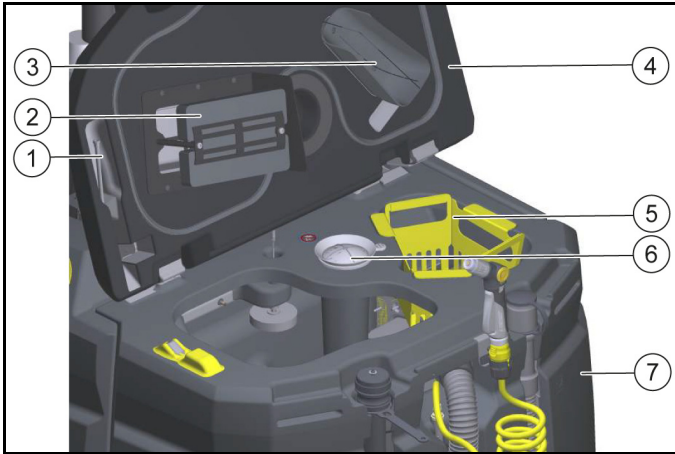
## Device overview, seat



- ① Detergent tray for DOSE detergent dosing unit\*
- ② Seat
- ③ Steering wheel knob
- ④ Weight adjustment lever
- ⑤ Seat length adjustment lever

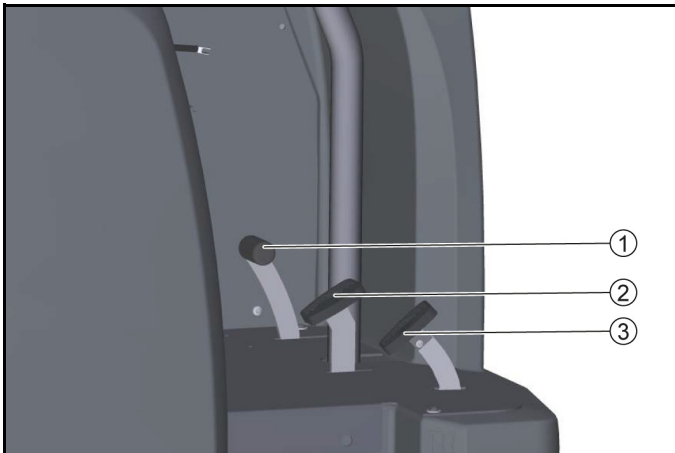
\* Optional

### Device overview, waste water tank



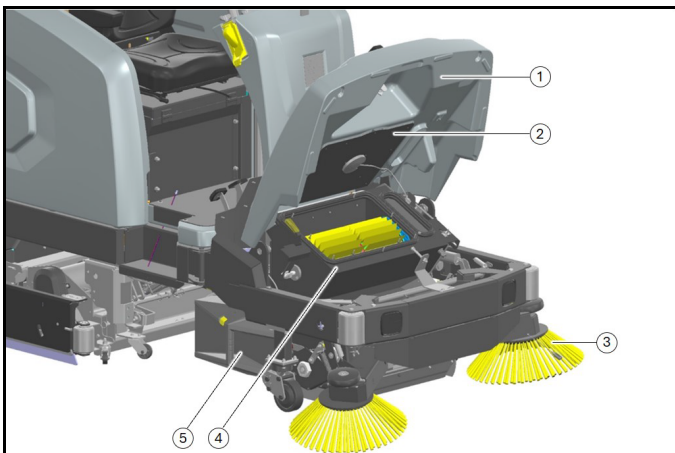
- ① Waste water tank support
- ② Float
- ③ Waste water impact protection
- ④ Waste water tank cap
- ⑤ Coarse dirt basket
- ⑥ Turbine pre-filter
- ⑦ Waste water tank

### Device overview, pedals



- ① Coarse dirt flap pedal\*\*\*
  - ② Brake pedal
  - ③ Accelerator pedal
- \*\*\* Nur Variante Combo

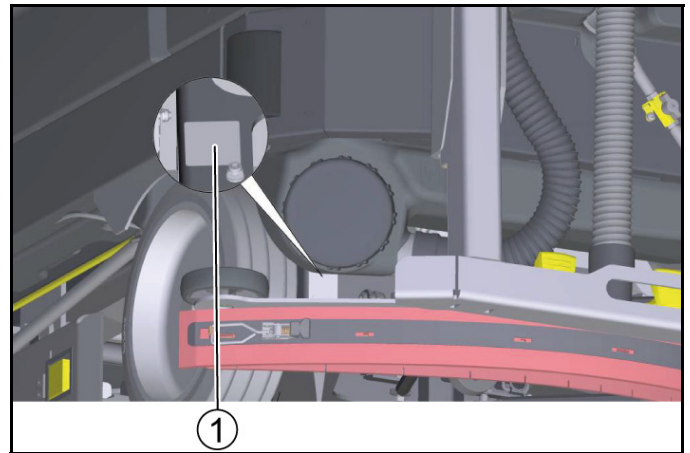
### Device overview, pre-sweeping unit (only Combo variant)



- ① Pre-sweeping unit hood
- ② Filter housing cover
- ③ Side brushes
- ④ Filter casing

- ⑤ Sweep container

### Type plate

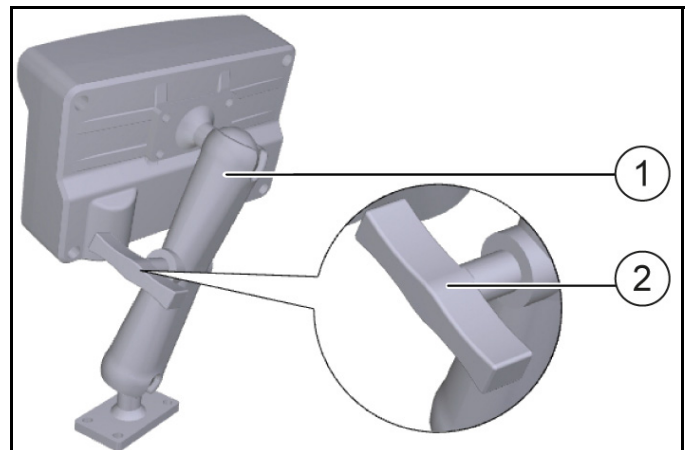


- ① Type plate

### LCD display battery (Li-Ion variant only)

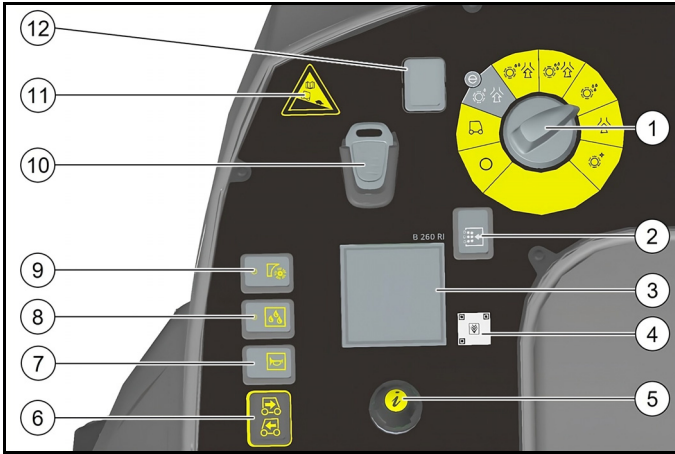


- ① Display



- ① Ball arm
- ② Wing screw

## Control panel

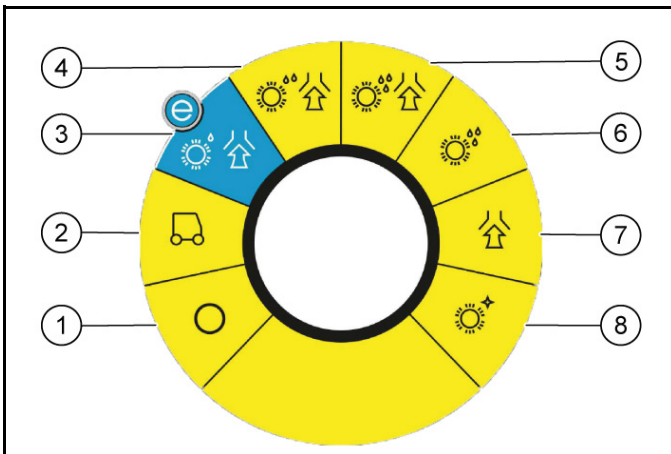


- ① Program switch
- ② Filter cleaning ON/OFF\*\*\*
- ③ Display
- ④ QR code for the how-to video
- ⑤ Info button for menu navigation in the display
- ⑥ Travel direction switch
- ⑦ 2-stage horn
- ⑧ Cleaning solution ON/OFF
- ⑨ Side brush / side scrubbing deck / Combo ON/OFF\*
- ⑩ Intelligent key
- ⑪ Maximum permissible gradient
- ⑫ Safety switch

\* Optional

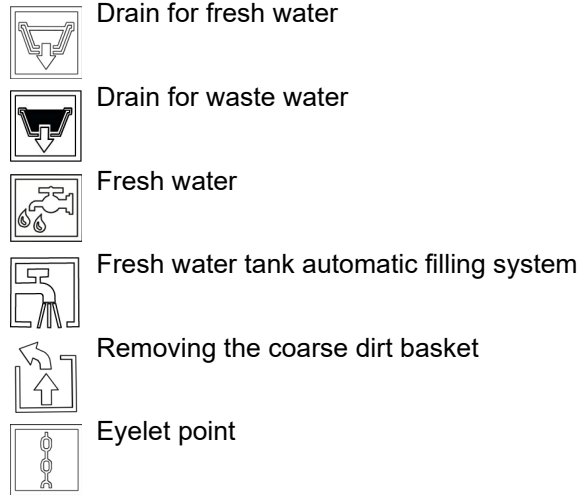
\*\*\* Nur Variante Combo

## Program switch



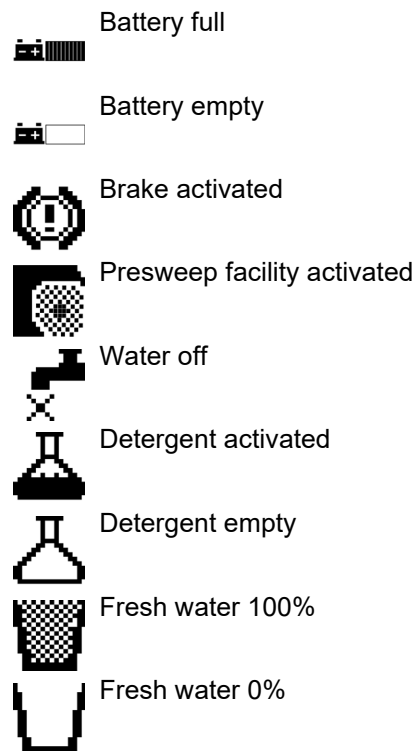
- ① **0**  
Device is switched off.
- ② **Transport journey**  
Drive to the operating location.
- ③ **Eco program**  
Clean the floor wet (with a reduced water quantity and a reduced brush speed) and vacuum up waste water (with reduced suction power).
- ④ **Scour and vacuum**  
Wet clean the floor and vacuum up the waste water.
- ⑤ **Increased brush contact pressure**  
Clean the floor wet (with increased brush contact pressure and increased water quantity) and vacuum up the waste water.
- ⑥ **Scouring / pre-cleaning without vacuuming**  
Clean the floor wet and let the detergent act.
- ⑦ **Suctioning**  
Vacuum up the dirty liquid.
- ⑧ **Polishing**  
Polish the floor at a high brush speed without applying liquid.

## Symbols on the device



\* Optional

## Pictograms on the display



## Installation

### Batteries

#### Recommended batteries, chargers

	Order no.
Battery set (wet) 36V/630Ah	2.815-108.0
Charger	4.035-191.0
Volume (m3)*	71,78
Air flow (m3/h)**	27,71

	Order no.
Battery set (Li-Ion) 36V/525Ah	2.654-000.0
Charger	6.654-543.0

\* Minimum volume of battery charging room

\*\* Minimum air flow between battery charging room and environment

Batteries and chargers are available from specialist shops.

### Maximum battery dimensions

Length	Width	Height
842	627 mm	537 mm

The following must be observed when fitting the wet batteries:

- The maximum battery dimensions must be observed.
- The seat must be pivoted up when charging wet batteries.
- The battery manufacturer's regulations must be observed when charging wet batteries.

### Installing and connecting batteries

The batteries are already installed in the Bp variant. If you did not receive a Bp variant, the batteries were retrofitted at the national company or at your trusted dealer. This may be for availability, time, cost, import, service, transport or similar reasons to your advantage.

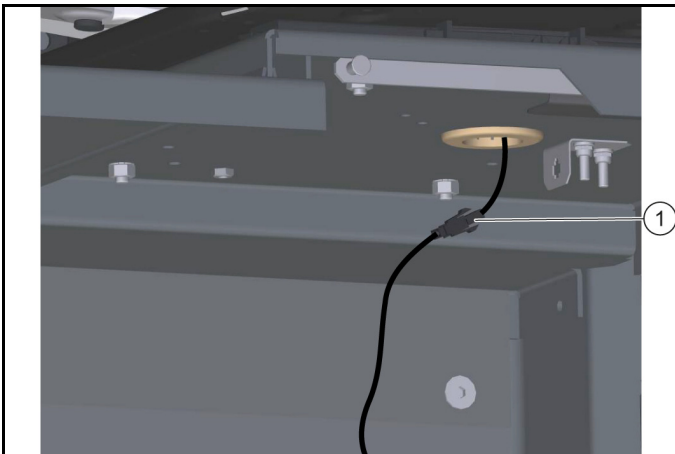
## ATTENTION

### Risk of damage to the control electronics!

The control electronics can be destroyed by reversing the polarity of the battery connections.

Take care to ensure the correct polarity when connecting the batteries.

1. Adjust the steering wheel position all the way forward.
2. Pivot the seat forward.
3. Remove the seat stop screw.
4. Remove the plug of the seat contact switch and push it back through the opening.



- ① Seat contact switch plug
5. Unlock the seat and pull it upwards.
6. Remove the seat contact switch plug from the holder.
7. Unhook the support for the seat console and close the seat console.
8. Unscrew the hinges of the seat console.
9. Place the seat console in the footwell.
10. Only with Dose variant: Remove the detergent canister tray.
11. Only with Fleet variant: Remove the cables.
12. Lift off the battery cover.
13. Remove the fresh water tank on the right.
14. Remove the battery box side panel on the right.
15. Fit the battery. Battery terminals positioned at the front in the travel direction.

## Note

Only for wet battery:

16. Clamp the supplied power cables to the (+) and (-) battery terminals that are still free. Route the cable so that it cannot be pinched by the seat.

## Note

The Li-ion battery is supplied with the plug connection connected.

17. Only with Fleet variant: Install the cables.
18. Install the battery box side panel on the right.
19. Install the fresh water tank on the right.
20. Fit the battery cover.
21. Insert the battery plug.
22. Fit the seat console.
23. Screw on the hinges of the seat console.
24. Open the seat console and hook in the seat console support.
25. Install the seat contact switch plug on the holder.
26. Fit the seat.
27. Plug in the seat contact switch plug.
28. Install the seat stop screw.
29. Pivot the seat downwards.
30. Adjust the steering wheel.

## ⚠ WARNING

**Danger to life from fire or explosion if batteries are deeply discharged!**

Incorrect charging of deeply discharged batteries can cause a fire.

Do not start the device if the battery is deeply discharged. Make sure that the battery is charged before starting the system.

### Charging the battery

## Note

The device has deep discharge protection. I.e. with lead acid batteries, the device can only be driven when the permitted minimum capacity level is reached. "Batterie leerbitte laden" appears in the display. Cleaning operation is not restricted for devices with Li-Ion batteries.

When using other batteries (e.g. from other manufacturers), the deep discharge protection for the respective battery must be reset by Kärcher Customer Service.

## ⚠ DANGER

**Danger of death from electric shock!**

There is a danger of electrical shock if the charger is used improperly

Adhere to the mains voltage and fuse values specified on the device type plate.

Only use the charger in dry rooms with sufficient ventilation.

**Danger of explosion when charging the battery!**

Flammable gases are generated when the battery is charged

Only charge the batteries in a suitable room. The room must have a minimum volume depending on the battery type and an adequate air exchange rate with a minimum air flow (see "Recommended batteries").

Only charge wet batteries with the seat pivoted up.

## Note

If the device has a Li-ion battery, it is the battery that switches off when the charge level is too low, not the device. From a charge level of <15%, <10% and <5%, the system also emits acoustic signals with increasing intensity.

## Note

- The average charging time for wet batteries is approx. 10-12 hours.
- The average charging time of the Li-Ion batteries is approx. 3 hours.

The recommended chargers (for the respective batteries) are electronically controlled and end the charging process automatically.

The device cannot be used during the charging process.

1. Drive the device directly to the charger and do not drive on slopes.
2. Pivot the seat upwards.
3. Connect the charging cable to the battery.
  - a **With lead battery variant:** Disconnect the battery plug and connect it to the charging cable.
  - b **With Li-Ion battery variant:** Connect the charger cable to the battery via the separate plug connection.
4. Connect the charger to the mains and switch it on.

### After the charging process

1. **Lead battery:**
  - a Switch off the charger and disconnect it from the mains.
  - b Disconnect the battery cable from the charging cable and connect it to the device.

## Note

Route the charging cable in the battery compartment so that it cannot be pinched.

2. **Li-Ion battery:**
  - a Disconnect the plug connector for the charger.

## Note

The connector from the Li-ion battery to the device remains connected during charging.

### Low-maintenance batteries (wet batteries)

## ⚠ DANGER

### Refilling discharged batteries with water

Danger of acid burns from escaping acid, destruction of clothes

Wear safety goggles, protective clothing and protective gloves when handling the battery acid.

Observe the applicable regulations.

Immediately rinse off any splashed acid from the skin or clothes using copious amounts of water.

## ATTENTION

### Risk of damage to the batteries!

Using water with additives will void the battery's warranty. Top up the batteries using only distilled or desalinated water (EN 50272-T3).

Do not use any foreign additives or touch-up agents.

1. Add distilled water one hour before the charging process comes to an end. Observe the correct acid level according to the battery label.  
All cells must produce gas at the end of the charging process.

2. After fully charging, check the water and top up. The evaporated water is consumed by electrolysis during charging.
3. Clean up any spilled water. To do this, proceed as described in the "Cleaning the batteries" section in the Care and Maintenance chapter.

### Battery indicator

#### Wet battery variant:

The charging state of the batteries is shown on the control panel display.

- The length of the bar shows the battery charging state.

#### Li-Ion battery variant:

The battery charging level is displayed on a separate screen of the battery system.

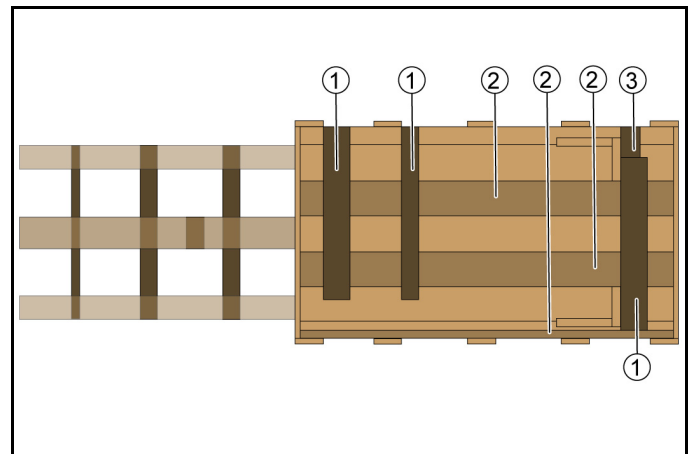
- The percentage SoC (State of Charge) indicates the charge state.

### Unpacking

## Note

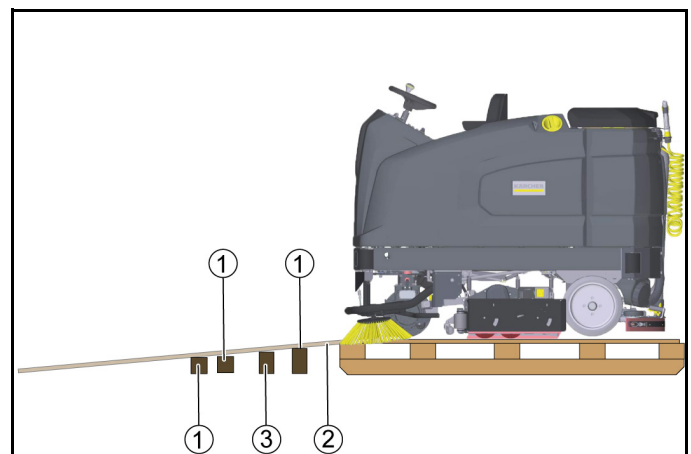
Set the safety switch to the "0" position to shut down all functions immediately.

1. Remove the packaging film.
2. Remove the strap.
3. Unscrew the unloading planks and squared timber from the pallet.



- ① Squared timber
- ② Unloading plank
- ③ Block

4. Place the squared timber in front of the pallet.
5. Place the unloading plank on the squared timber.
6. Screw on the unloading plank.
7. Push the block provided in the packaging under the ramp to provide support.
8. Remove the wooden strips in front of the wheels.



- ① Squared timber
- ② Unloading plank
- ③ Block

9. Push the device forwards off the pallet.

### Pushing the device off the pallet

## Note

Install the suction bar only after unloading.

1. Release the parking brake via the lever (see chapter *Pushing the device*).
2. One person must sit on the seat and press the brake pedal in the case of danger during pushing.
3. Push the device down the ramp and off the pallet.
4. Close the parking brake with the lever.

### Driving off the pallet

The batteries must be installed and charged in order to drive off the pallet.

## Note

Install the suction bar only after unloading.

1. Insert the Intelligent Key into the control panel.
2. Switch on the device using the Easy-Operation switch.
3. Set the program switch to transport travel.
4. Set the travel direction switch to "Forward".
5. Depress the accelerator pedal.
6. Drive the device slowly off the pallet.
7. Switch off the device using the Easy-Operation switch.

### Installing the brushes

#### BD Variant

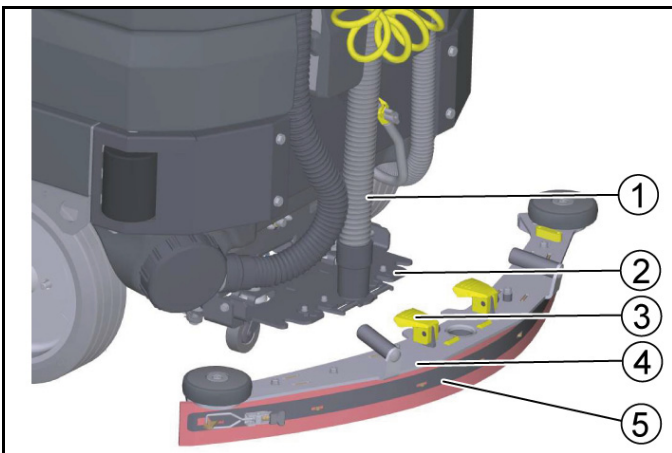
The disc brushes must be installed before starting up (see chapter *Maintenance work*).

#### BR variant

The brushes are installed.

### Installing the suction bar

1. Pivot both clamping levers upwards.



- ① Suction hose
- ② Suction bar suspension
- ③ Clamping lever
- ④ Suction bar
- ⑤ Suction lip with strap

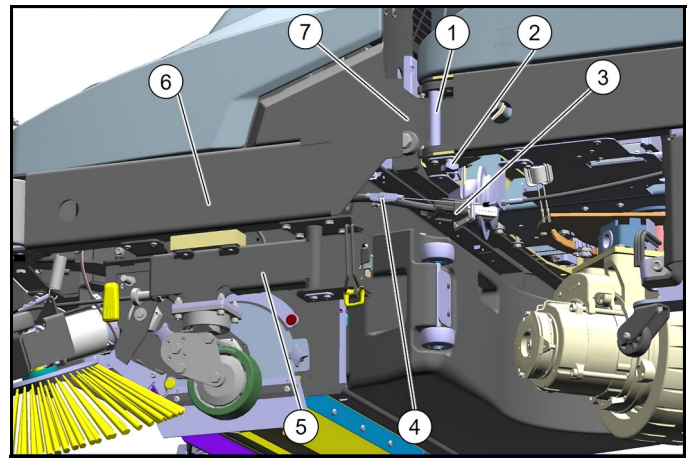
2. Insert the suction bar in the suction bar mount.
3. Pivot both clamping levers downwards.

### Installing the pre-sweeping unit

## Note

The basic machine must be prepared for the installation of the pre-sweeping unit.

1. Switch off the machine, see *Finishing operation*.
2. Position the pre-sweeping unit in front of the device.



- ① Fixing bolt
- ② Star grip
- ③ Main plug
- ④ Bowden cables with safety clip
- ⑤ Support wheel
- ⑥ Presweep unit
- ⑦ Connection

3. Lift the connection of the pre-sweeping unit slightly and push it into the holder.

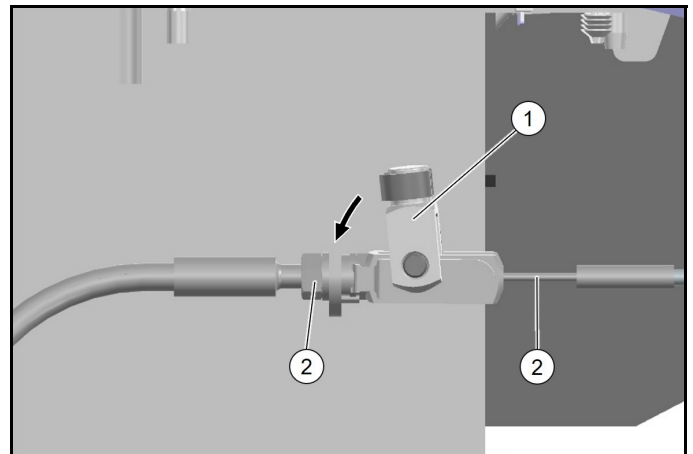
## ⚠ WARNING

**Risk of injury or damage due to the machine rolling away**

An unsecured machine can unintentionally roll away during attachment, especially on inclines.

Secure the machine against rolling away, especially when the side wheel is swivelled closed.

4. Mount the fixing bolts. Mounting the bolts can be simplified by swivelling the side wheel.
5. Screw in and tighten the star grips.



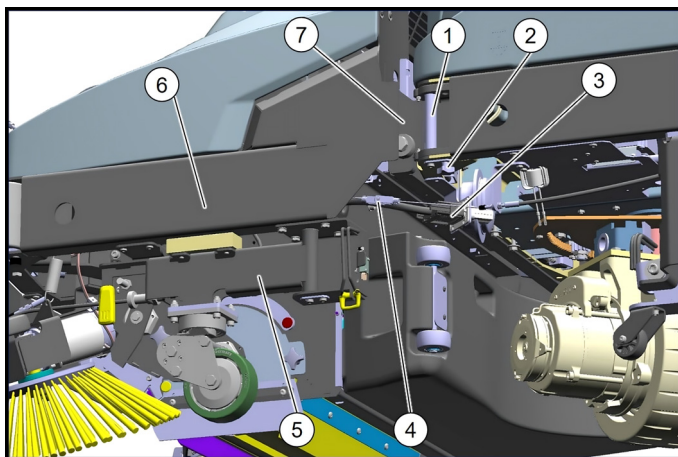
- ① Retaining clip
- ② Bowden cables

6. Connect the Bowden cables to the safety clip. To do this, swivel the safety clip forwards and snap it into place.

7. Connect the main plug to the pre-sweeping unit.
8. Connect the hose coupling (only with spray nozzle option).
9. Fold up the front support wheel. To do this, pull the star grip to the side and swivel the wheel up until it engages.

### Dismantling the pre-sweeping unit

1. Switch off the machine, see chapter *Switch the device off*.
2. Disconnect the hose coupling (only with spray nozzle option).



- ① Fixing bolt
- ② Star grip
- ③ Main plug
- ④ Bowden cables with safety clip
- ⑤ Support wheel
- ⑥ Presweep unit
- ⑦ Connection

3. Disconnect the main plug of the pre-sweeping unit.
4. Open the Bowden cable safety clip and remove the safety clip.
5. Fold out the front support wheel.
6. Unscrew the star grips.
7. Remove the fastening bolts.
8. Pull the locking bolt forwards, fold out the side support wheel of the pre-sweeping unit and secure it with the rubber band.
9. Slide the pre-sweeping unit forwards from the holder.

### Operation

#### **⚠ DANGER**

##### Falling objects

Danger of injury

Do not use the device without an overhead guard to protect against falling objects in areas in which there is a possibility of operators being hit by falling objects.

#### **ATTENTION**

##### Risks during operation

Danger of injury

In the event of danger, set the safety switch to "0".

### Switching on the device

1. Sit in the driver's seat.
2. Insert the Intelligent Key.
3. **Only for Li-Ion battery:** Press the on/off button on the bottom edge of the separate display.
4. Set the safety switch to position "1".
5. Turn the program selection switch to the desired function.
6. If one of the displays below appears on the display, take your foot off the accelerator pedal, set the safety switch to "0" and carry out the necessary maintenance work.

Display	Activity
Suction bar maintenance	Clean the suction bar.
Brush head maintenance	Check the brushes for wear and clean them.
Suction lip maintenance	Check the suction lips for wear and adjustment.
Turbine sieve maintenance	Clean the turbine screen.
Maintenance of the fresh water filter	Clean the fresh water filter.

7. Press the Info button.
8. Reset the counter for the corresponding maintenance (see "Grey Intelligent Key / Reset maintenance counter").

### Note

If the counter is not reset, the maintenance display appears again each time the device is switched on.

### Checking the parking brake

#### **⚠ DANGER**

##### Danger of death due to defective parking brake!

The device may roll uncontrollably if the parking brake is not working properly.

Before each operation, check the function of the parking brake on level ground.

1. Switch the device on.
2. Set the travel direction switch to "Forward".
3. Set the program switch to transport travel.
4. Press the accelerator pedal lightly.  
The brake must audibly unlock. The device must roll off easily on the level.
5. Release the accelerator pedal.  
The brake must audibly lock.

If the parking brake does not lock, shut down the device, secure it against uncontrolled rolling and contact Customer Service.

### Checking the foot brake

#### **⚠ DANGER**

##### Danger of accident due to defective foot brake!

The device may roll uncontrollably if the foot brake is not working properly.

Check the function of the parking brake on level ground before each use.

1. Switch the device on.
2. Set the travel direction switch to "forward".
3. Set the program switch to transport travel.
4. Press the accelerator pedal.
5. While driving, take your foot off the accelerator pedal and apply the foot brake.  
Device must decelerate noticeably.

If this is not the case, shut down the device and call the Customer Service.

## Driving

### **⚠ DANGER**

#### **Lack of braking**

Accident risk

Be sure to check the parking brake before using the device. Never use the device if the parking brake is not working.

### **⚠ DANGER**

#### **No braking effect during operation**

If the device no longer has any braking effect during operation, proceed as follows:

If the device does not come to a standstill on a ramp with a gradient of more than 2% when you release the accelerator pedal, for safety reasons you may only set the safety switch to position "0" if you have checked the correct mechanical function of the parking brake before starting up the device.

After reaching a standstill, put the device out of operation and call Customer Service.

Observe the maintenance instructions for brakes.

### **⚠ DANGER**

#### **Careless driving**

Danger of tipping over

Only drive on gradients in the travel direction up to a maximum of 15% (RI variant) and 10% (RI Combo variant).

Gradients transverse to the travel direction up to a maximum of 15%.

Do not turn on gradients.

Drive slowly in corners and on wet ground.

Only drive the device on stable ground.

#### **Pivoting sweeping mechanism on the Combo variant**

Increased risk of accidents

Be especially careful when reversing.

Take the pivoting of the sweeping mechanism into account when steering.

### **Note**

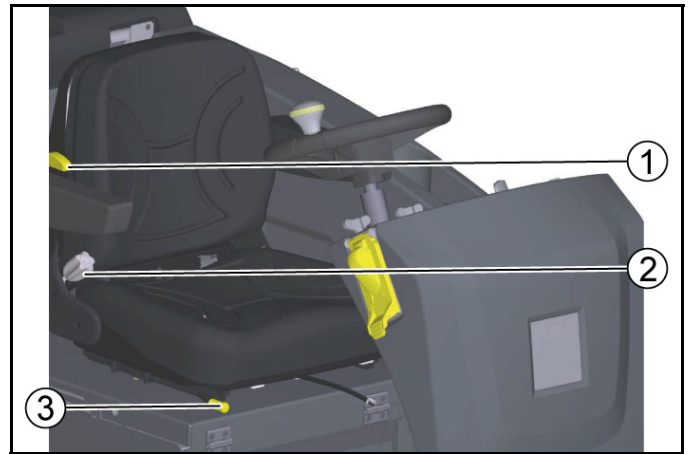
The travel direction can be changed during the journey operation. This allows very dull spots to be polished by moving back and forth several times.

1. Assume the sitting position.
2. Insert the Intelligent Key.
3. Set the program selection switch to "Transport travel".
4. Set the travel direction using the travel direction switch on the control panel.
5. Determine the travel speed by pressing the accelerator pedal.
6. Release the accelerator pedal.  
The device stops.

The driving motor switches off when overloaded. A fault message appears in the display. If the controller overheats, the affected motor is switched off.

7. Allow the device to cool down for at least 15 minutes.
8. Set the program switch to "0", wait briefly and set to the desired program.

## Adjusting the driver's seat



- ① 3-stage weight adjustment 60-120 Kg
  - ② Backrest tilt adjustment 3° forward and 13° backward
  - ③ Seat length adjustment
1. Operate the seat adjustment lever.
  2. Move the seat to the desired position.
  3. Release the seat adjustment lever.

## Adjusting the steering wheel

1. Release the wing nuts for adjusting the steering wheel.
2. Position the steering wheel.
3. Tighten the wing nuts.

## Checking the fluff filter

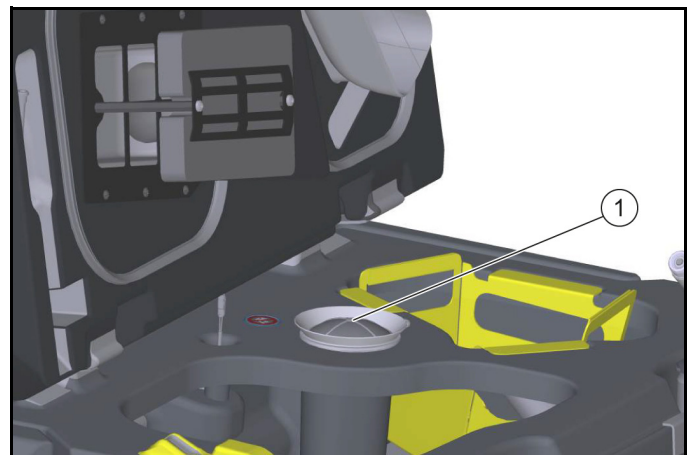
### **ATTENTION**

#### **Damage to the suction turbine!**

Operating without a fluff filter can damage the suction turbine.

Do not operate the device without the fluff filter.

1. Check the following fluff filter aspects before starting up the device:
  - Is it present?
  - Is it in a usable condition?
  - Is it installed correctly?



- ① Fluff filter
2. Replace a damaged fluff filter.

## Pushing the device

1. Release the parking brake by pulling the lever away.

### **Note**

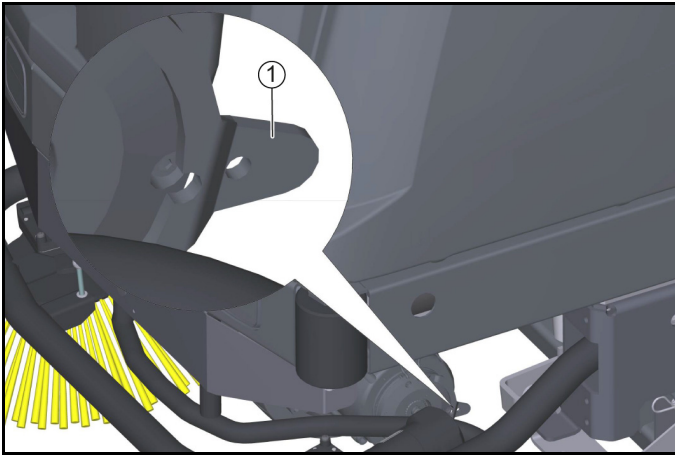
The lever must be pulled all the way.

# ⚠ DANGER

## Danger of injury from rolling device!

The parking brake can only be released while bent over and staying in the hazard zone.

Use an object to hold the lever in a permanently pulled state and move away from the hazard zone immediately after opening the parking brake.



- ① Parking brake lever
2. Push the device.
3. Close the parking brake again by releasing the lever.

### Filling with fresh water

#### Filling with fresh water

1. Open the fresh water tank cap.
2. Secure the fresh water hose with the clamp.
3. Fill fresh water (max. 60 °C) to approx. 5 cm below the filler funnel.

## Note

Fill the fresh water tank completely before initial startup in order to vent the water pipe system.

4. Remove the fresh water tank cap.

### Filling fresh water with the fresh water tank automatic filling system (option)

## Note

We recommend that you use a hose with an Aquastop coupling on the device side. This minimizes the splashing out of water when disconnecting after the filling process.

1. Connect the water hose to the automatic filling system.
2. Open the water inlet (max. 60 °C, max. 10 bar).
3. Monitor the filling process, the automatic filling system interrupts the water inlet when the fresh water tank is full.
4. Close the water inlet.
5. Remove the water hose.

### Filling with detergent

#### Notes on detergents

## ATTENTION

### Risk of damage if unsuitable detergents and care agents are used!

Material damage

Only use detergents and care agents recommended by Kärcher. Using unsuitable detergents and care agents can damage the device as well as floors and surfaces.

Observe the safety data sheets and intended purpose of use for the detergents and care agents used.

Never use detergents and care agents that are flammable or highly foaming or contain solvents, hydrochloric acid or hydrofluoric acid.

## Note

Do not use heavily foaming detergent.

Recommended detergents

Application	Detergent
Maintenance cleaning of all water-resistant floors	RM 756
Maintenance cleaning with care components	RM 746 RM 780
Maintenance cleaning and basic cleaning of industrial floors	RM 69
Maintenance cleaning of glossy coverings	RM 755
Maintenance cleaning and basic cleaning of fine stone tiles	RM 753
Maintenance cleaning and basic cleaning of acid-resistant coverings	RM 751
Cleaning and disinfection	RM 732
Basic cleaning of all alkali-resistant floor coverings	RM 752
Basic cleaning and de-coating of alkali-sensitive floors	RM 754

### Filling the detergent into the fresh water tank

## Note

First fill water into the detergent tank, then add the appropriate dosage of detergent to the tank. If the detergent is poured in first, this can lead to strong foaming.

## ATTENTION

### Danger of clogging

When adding detergent to the fresh water tank, the detergent can dry out and disrupt the function of the dosing device.

Rinse the device with clear water after adding detergent to the fresh water tank: Select a cleaning program with water application, set the water quantity to the highest value, set the detergent dosage to "0".

### Filling detergent with a dosing device (option)

Detergent is added to the fresh water on its way to the cleaning head by a dosing device.

## Note

A maximum of 3% detergent can be added with the dosing device. For higher dosage, the detergent must be added to the fresh water tank.

## ATTENTION

### Danger of clogging

When adding detergent to the fresh water tank, the detergent can dry out and disrupt the function of the dosing device.

Rinse the device with clear water after adding detergent to the fresh water tank: Select a cleaning program with water application, set the water quantity to the highest value, set the detergent dosage to 0.

1. Place the canister with the detergent in the detergent tray behind the seat.
2. Unscrew the canister cap.

3. Insert the detergent suction lance of the dosing device into the canister.

## Note

- The device has a fresh water level indicator on the display. Detergent dosing is stopped when the fresh water tank is empty. The cleaning head continues to work without supply of liquid.
- Detergent addition is also stopped when the detergent canister is empty. A notice symbol appears on the display. Only fresh water is fed to the cleaning head.

### Adjusting parameters (yellow Intelligent key)

The parameters for the various cleaning programs are pre-set in the device.

Individual parameters can be changed depending on the authorization of the yellow Intelligent Key.

The modified parameters only remain in effect until a different cleaning program is selected with the program switch.

A gray Intelligent Key must be used for making adjustments if parameters are to be changed permanently. This adjustment procedure is described in the section "Gray Intelligent Key".

## Note

R cleaning head only: Almost all displayed texts regarding parameter settings are self-explanatory. If you need more detailed information about the parameters, please contact the Customer Service.

- Fine Clean: Low brush speed for removing gray film from fine stone.
  - Whisper Clean: Medium brush speed for maintenance cleaning with reduced noise level.
  - Power Clean: High brush speed for polishing, crystallizing and sweeping.
1. Set the program switch to the desired cleaning program.
  2. Press the Info button.
  3. Turn the Info button until the desired parameter is displayed.
  4. Press the Info button.  
The set value flashes.
  5. Set the desired value by turning the Info button.
  6. Confirm the changed setting by pressing the Info button or wait until the set value is automatically accepted after 10 seconds.

### Adjusting the suction bar

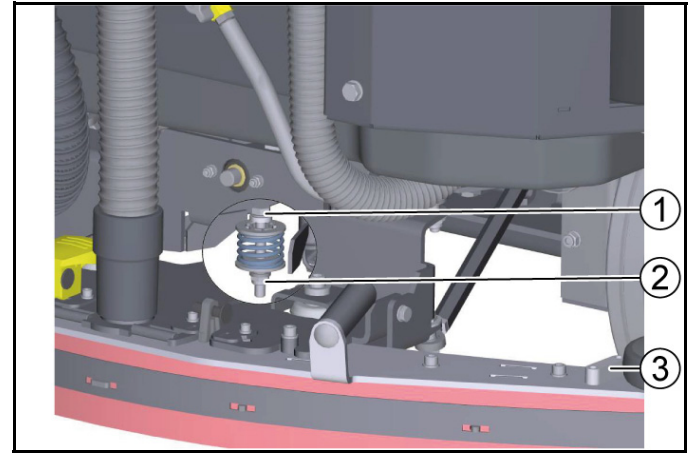
The suction bar only needs to be readjusted in special cases. The factory setting is suitable for most applications.

### Adjusting the inclination of the suction bar

The inclination must be adjusted so that the suction lips of the suction bar make even contact with the floor over the entire length of the suction bar.

1. Park the device on a surface without a slope.
2. Select the "Suction" program.
3. Drive the device a small distance forwards.  
The suction bar is lowered.

4. Read the spirit level.



- ① Screw
  - ② Nut
  - ③ Spirit level
5. Release the M 12 nut while holding the M 10 hexagon head screw with an open-end wrench.
  6. Adjust the screw so that the spirit level indicator is between the two lines.
  7. Tighten the M 12 nut while holding the M 10 hexagon head screw with an open-end wrench.
  8. To check the new setting, move the device forward a short distance in vacuuming mode with the suction bar lowered and observe the spirit level. Repeat the adjustment process if necessary.

### Sweeping (Combo variant only)

The sweeping mechanism picks up loose dirt before performing floor cleaning.

## ⚠ WARNING

### Danger of injury from moving parts

Note that the blower, side brushes and filter dedusting run on after switching off.

## ATTENTION

### Improper use of the device when sweeping

Risk of damage to the sweeping mechanism.

Do not sweep up packing tape, wires or similar.

Only drive over steps up to a maximum of 2 cm.

Sweep only dry surfaces to prevent clogging and contamination of the dust filter.

The dust filter is automatically cleaned every 5 minutes.

1. Switch on the "Sweeping" switch.

The sweeping mechanism is activated.

### Coarse dirt flap

The coarse dirt flap can be lifted to sweep up larger objects (up to approx. 6 cm high).

## ⚠ DANGER

### Danger of injury from waste!

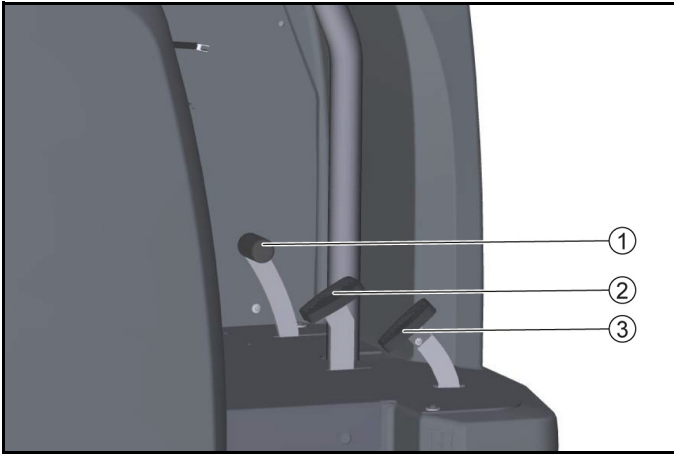
Waste can be thrown out when the coarse dirt flap is opened.

Only lift the coarse dirt flap when there are no persons in the vicinity.

## Note

The sweeping effect and dust suction deteriorate when the coarse dirt flap is raised. Only lift the coarse dirt flap when necessary.

1. Operate the pedal to raise the coarse dirt flap.



- ① Coarse dirt flap pedal\*
- ② Brake pedal
- ③ Accelerator pedal

### Finishing sweeping

1. Set the "Sweeping" switch to "0".  
The sweeping mechanism is deactivated. After the sweeping operation is finished, the dust filter is cleaned for approx. 15 seconds.
2. If necessary, press the switch to switch the filter cleaning on/off.  
A cleaning cycle of the dust filter is started.

### Side scrubbing deck (option)

The side scrubbing deck makes working close to the edge easier.



- ① Extending/retracting the side scrubbing deck
  - ② Switching the side scrubbing deck on/off
1. Press the "Switch side scrubbing deck on/off" switch.  
The side scrubbing deck is switched on/off.
  2. Press the "Retract/extend side scrubbing deck" switch.  
The side scrubbing deck is retracted/ extended.

## Finishing operation

### Finishing cleaning

1. Set the program selection switch to Drive.
2. Continue moving a short distance.  
The residual water is vacuumed up.

### Switch the device off

1. Turn the program selection switch to position "0".
2. **Only for Li-Ion battery:** Press the on/off button on the lower edge of the separate display until the battery system is put into standby mode.
3. Set the safety button to "0".

4. Remove the Intelligent Key.

## ⚠ DANGER

**Risk of injury or damage due to the device rolling away!**

If the device rolls away in an uncontrolled manner, parts of the body can be rolled over, trapped or crushed. Material damage can be caused if the device runs into other objects.

Ensure that no operating programme is set and that the accelerator pedal is not depressed.

Secure the device against rolling away.

5. Secure the device against rolling away.
6. Charge the batteries if necessary.

### Emptying the waste water tank

## ⚠ WARNING

**Improper disposal of waste water**

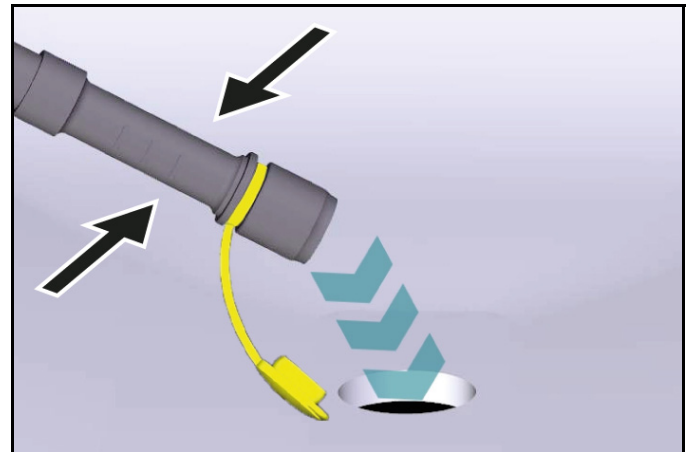
Environmental pollution

Observe the local waste water treatment regulations.

## Note

The suction turbine switches off and the display shows "Waste water tank full" when the waste water tank is full.

1. Remove the waste water drain hose from the holder.
2. Lower the end of the hose over the disposal facility.



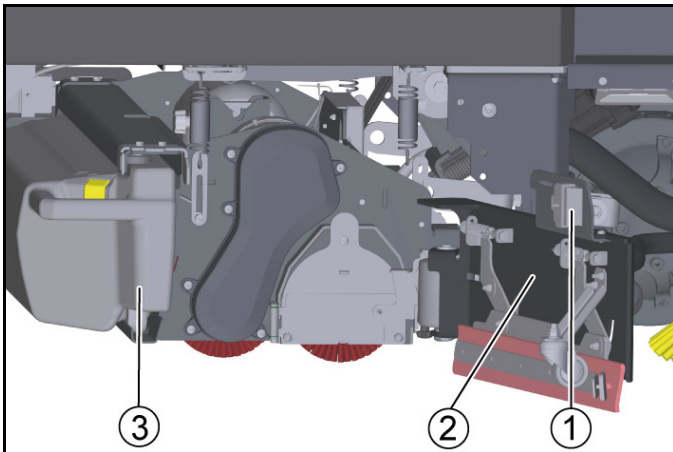
3. Drain the waste water by opening the cap on the drain hose.  
The water flow can be reduced by squeezing or twisting the dosing device.
4. Remove the spray gun from the holder.
5. Set the program selection switch to Transport.
6. Select "Tankspülung" on the display.
  - a Press the Info button.
  - b Select the "Tankspülung" menu.
7. Open the stop valve on the back of the waste water tank.
8. Rinse the waste water tank with the spray nozzle.
9. Hang the spray nozzle in the holder.
10. Close the drain hose cover.
11. Press the waste water hose into the holder on the device.
12. Close the stop valve at the back of the waste water tank.
13. Select "Tankspülung" on the display.

### Emptying the waste container

## Note

The waste container can only be removed via the driver's side and is only present on R cleaning heads.

1. Pull the tab.
2. Pivot open the squeegee blade holder.
3. Remove the waste container.



- ① Tab
- ② Squeegee blade holder
- ③ Waste container
4. Empty the waste containers.
5. Fit the waste container.

## Note

- The waste container must latch into place.
6. Pivot the squeegee blade holder closed.
  7. Pull out the waste container of the pre-sweeping unit from the side and empty it (only for the Combo variant).

### Draining fresh water

## ATTENTION

### Cleaning solution in the fresh water tank

Damage to fresh water tank, valves and seals  
Never leave the cleaning solution in the fresh water tank at the end of operation.

1. Remove the fresh water drain hose from the holder and lower it over a suitable collecting device.
2. Drain the cleaning solution.
3. Remove the fresh water tank cap.
4. Rinse the fresh water tank with clear water (maximum 60 °C).

### Shutting down the device

1. Turn the program switch to "OFF".
2. Remove the Intelligent Key.
3. Secure the device against rolling away.
4. Charge the batteries if necessary.

### Gray intelligent key

The gray Intelligent Key grants the supervisory staff extended authorizations and setting options.

1. Insert the Intelligent Key.
2. Select the desired function by turning the info button.

### Transport travel

1. Set the program selector switch to "Transport travel".
2. Press the Info button.

The following settings can be made in the Transport travel menu:

- Resetting the maintenance counter
- Resetting the day counter
- Key management
- Choosing the brush shape
- After-running time
- Standard setting

- Setting the language
- Switch menu
- Travel speed
- Factory setting
- Activating the manual tank rinsing gun

### Resetting the maintenance counter

If maintenance work shown in the display has been carried out, the corresponding maintenance counter must then be reset.

1. Turn the info button until "Maintenance counter" is displayed.
2. Press the info button.  
The meter readings are displayed.
3. Rotate the info button until the counter to be deleted is highlighted.
4. Press the info button.
5. Select "Yes" by rotating the info button.
6. Press the info button.  
The counter is deleted.

## Note

The service counter can only be reset by Customer Service staff.

The service counter shows the time until the next service due by Customer Service.

### Resetting the counter

1. Turn the Info button until "Counter" is displayed.  
This menu shows the total operating hours and the day counter.

### Delete the day counter:

2. Press the Info button.  
The "Delete counter" menu is displayed.
3. Turn the Info button until "Day counter" is highlighted.
4. Press the Info button.

### Key management

The authorizations are assigned for each yellow Intelligent Key used and the language of the display is set for this Intelligent Key in the "Key menu" menu item.

1. Insert the gray Intelligent Key.
2. Turn the info button until the menu item "Key menu" appears in the display.
3. Press the info button.
4. Remove the gray Intelligent Key and insert the yellow or white Intelligent Key to be personalized.
5. Select the menu item to be changed by turning the info button.
6. Press the info button.
7. Select the setting of the menu item by turning the info button.
8. Confirm the setting by pressing the menu item.
9. Select the next menu item to be changed by turning the info button.
10. After all settings have been made, call up the menu "Save?" by turning the info button.
11. Press the info button.  
The authorizations are saved.  
The "Continue key menu" display appears.
- Yes: Program another Intelligent Key
- No: Exit the key menu
12. Press the Info button.

### Choosing the brush shape

This function is required when changing the cleaning head.

1. Turn the info button until the menu item "Brush head" is shown in the display.
2. Press the info button.
3. Turn the info button until the desired brush shape is highlighted.
4. Press the Info button.
5. To change the cleaning head, move the lifting drive by turning the info button:
  - "Up": Lift
  - "Down": Lower
  - "OFF": Stop
6. Turn the info button until the "OFF" menu item is displayed.
7. Press the Info button.  
The menu is exited.  
The controller performs a restart.

### After-running time

1. Turn the info button until the menu item "After-running time" is shown in the display.
2. Press the info button.
3. Turn the info button until the desired function is highlighted.
4. Press the Info button.
5. Turn the info button until the desired after-running time is displayed.
6. Press the Info button.

### Standard setting

1. Turn the info button until the menu item "Standard setting" is shown in the display.
2. Press the info button.
3. Turn the info button until the desired accessory is highlighted.
4. Press the info button to confirm ON/OFF.
5. Press the info button to exit the menu.
6. Switch the device off and on again to adopt the setting.

### Setting the language

1. Turn the info button until the menu item "Language" is shown in the display.
2. Press the info button.
3. Turn the info button until the desired language is marked.
4. Press the info button.

### Switch menu

The following functions are switched on and off via the "Switch menu":

- Detergent dosing\*
- Flashing beacon/ spotlight\*
- Side brush spray nozzles\*
- Spray suction
- Work lights
- Tank rinsing

The "Switch menu" is available in all program switch positions, except "OFF".

1. Press the Info button.  
The "Switch menu" is displayed.
2. Press the Info button.  
The list of functions available in the device is displayed.
3. Turn the info button until the desired function is highlighted.
4. Press the info button to change the switch state.

5. Turn the info button until "Exit menu?" is displayed.
  6. Press the info button.
- \* Optional

### Set maximum travel speed

1. Turn the info button until the "Travel speed" menu item appears on the display.
2. Press the Info button.
3. Turn the info button until the desired maximum speed is highlighted.
4. Press the Info button.

### Factory setting

The factory settings of all parameters are restored (except transport travel speed).

1. Turn the info button until the menu item "Factory setting" is displayed.
2. Press the info button.
3. Turn the info button until "Yes" is highlighted.
4. Press the info button.

### Adjusting parameters for cleaning programs

All cleaning program parameters are retained until another setting is selected or the device is switched off.

1. Set the program switch to the desired cleaning program.
2. Press the Info button.  
The first adjustable parameter is displayed.
3. Press the Info button  
The set value flashes.
4. Set the desired value by turning the info button.
5. Confirm the changed setting by pressing the Info button or wait until the set value is automatically accepted after 10 seconds.
6. Select the next parameter by turning the info button.
7. After changing all desired parameters, turn the info button until the menu item "Exit menu?" is displayed.
8. Press the info button.  
The menu is exited.

### Standard setting

Parameter changes made in the individual cleaning programs during operation are reset to the standard setting when the device is switched off.

1. Turn the info button until the menu item "Standard setting" is shown in the display.
2. Press the info button.
3. Turn the info button until the desired cleaning program is highlighted.
4. Press the Info button.
5. Turn the Info button until the desired parameter is highlighted.
6. Press the Info button.  
The set value flashes.
7. Set the desired value by turning the Info button.
8. Press the Info button.

### Yellow Intelligent Key

The yellow Intelligent Key authorizes functions that are required for the cleaning task.

The parameters for the various cleaning programs are preset in the device. Individual parameters can be changed depending on the authorization of the yellow Intelligent Key.

The display texts for parameter settings are largely self-explanatory.

"FACT" parameters (only available with R cleaning head):

- "Fine Clean": Low brush speed for removing gray film from fine stone.
- "Whisper Clean": Medium brush speed for maintenance cleaning with reduced noise level.
- "Power Clean": High brush speed for polishing, crystalizing and sweeping.

### Authorization management

- General access with the Intelligent Key
  - Working speed
  - Brush speed
  - Suction
  - Contact pressure
  - Water quantity
  - Detergent dosage
  - RAB/Blue Spot
  - Spray suction
  - Tank rinsing
1. Select the "Key menu" with the info button.
  2. Confirm "access" by pressing the info button.
  3. Define the other accesses and activate and confirm them with the info button.
  4. Press "Save?" with the info button to confirm and save the settings you have made.

### White intelligent key

Inserting the white Intelligent Key unlocks the device and enables it for the use with preset parameters.

White Intelligent Keys can be used so that an Intelligent Key with adapted parameters can be created for each cleaning task.

The operator cannot change the parameters and they are independent of the selection of the cleaning program on the program selection switch (the functions "0", transport, vacuuming remain unchanged).

The gray Intelligent Key can be used to set the following parameters for the white Intelligent Key:

- Travel speed
- Working speed
- Brush speed (only with R cleaning head)
- Contact pressure
- Water quantity
- RM dosing
- Suction
- Work light
- Flashing beacon
- Detergent dosing unit ON/OFF
- Pre-sweeping unit
- Suction bar water valve
- Language

### Programming the white Intelligent Key

1. Insert the gray Intelligent Key.
2. Turn the info button until the menu item "Key menu" appears in the display.
3. Press the info button.
4. Remove the gray Intelligent Key and insert the white Intelligent Key to be personalized.
5. Select the menu item to be changed by turning the info button.
6. Press the Info button.
7. Select the setting of the menu item by turning the info button.
8. Confirm the setting by pressing the menu item.

9. Select the next menu item to be changed by turning the info button.
10. Turn the info button until the menu item "Save?" is displayed.
11. Press the info button.  
The settings are saved.
12. Turn the info button until the menu item "Exit menu?" is displayed.
13. Press the info button.

### Operation with the white Intelligent Key

1. Insert the white Intelligent Key.
  - The "OFF", travel and vacuum functions work as usual.
  - In all other positions of the program selection switch, the parameters programmed on the white Intelligent Key are active. Different cleaning programs can no longer be selected.

### Transport

#### **⚠ DANGER**

##### Driving on gradients

Danger of injury

Observe the maximum permissible gradient when operating the device on gradients for loading and unloading purposes (see chapter "Technical data").

Always press the brake pedal to reduce speed.

#### **⚠ CAUTION**

##### Failure to observe the weight

Risk of injury and damage

Be aware of the weight of the device during transportation.

1. With the D cleaning head installed, remove the disc brushes from the brush head.
2. When transporting in vehicles, secure the device against slipping and tipping over according to the applicable guidelines.

### Storage

#### **⚠ CAUTION**

##### Failure to observe the weight

Risk of injury and damage

Be aware of the weight of the device during storage.

#### **ATTENTION**

##### Frost

Destruction of the device through freezing water

Drain all water from the device.

Store the device in a frost-free location.

When choosing the parking space, take into account the total weight of the device in order not to impair its stability.

- This device may only be stored indoors.
- Fully charge the batteries before storing them for a long period.
- Fully charge the batteries at least every month during storage.

### Care and maintenance

#### **⚠ DANGER**

##### Danger of injury from the device!

Risk of injury due to device inadvertently starting up.

Turn the program switch to the "0" position.

Remove the Intelligent Key prior to all work on the device.

Pull out the charger mains plug.

Unplug the battery connector.

## **⚠ WARNING**

### **Danger of injury from moving elements!**

The suction turbine, side brushes and filter dedusting run on after switching off.

Do not carry out any work on the device until the components have come to a standstill.

- Drain and dispose of the waste water and fresh water.

### **Maintenance intervals**

#### **Each time after use**

## **ATTENTION**

### **Risk of damage!**

Risk of damage to the device due to improper cleaning.

Do not spray the device with water and do not use aggressive detergents.

A detailed description of the individual maintenance work is provided in chapter *Maintenance work*.

- Drain the waste water.
- Check the fluff filter and clean if necessary.
- Pull out, empty and clean the waste container.
- Only with R cleaning head: Remove the coarse dirt container and empty it.
- Only for the Combo variant: Remove the coarse dirt container of the pre-sweeping unit; empty and clean it.
- Clean the exterior of the device using a damp cloth, wetted with a mild washing lye.
- Check the suction lips, check for wear and tear and replace if necessary.
- Clean the squeegee blades, check for wear and tear and replace if necessary.
- Clean the brushes, check for wear and tear and replace if necessary.

## **Note**

The roller brushes are worn out if the yellow indicator bristles are the same length as the other bristles.

- Charge the lead-acid battery.
  - If the charging state of the battery is below 50%, charge the battery fully and without interruption.
  - If the charging state of the battery is above 50%, only recharge the battery if the entire operating duration will be required when next used.
- Clean the waste water tank if heavily soiled.

### **Weekly**

- When used regularly, charge the lead-acid battery fully and without interruption at least once a week.

### **Monthly**

- If the device is temporarily shut down (storage): Perform equalization charging of the battery.
- Check battery poles for oxidation, brush off if necessary. Make sure the connection cables are firmly in place.
- Clean the seals between the waste water tank and the cover, check for leaks and replace if necessary.
- Check the acid density of the cells if the batteries are not maintenance-free.
- Only with R cleaning head: Clean the brush tunnel.
- For a longer downtime, shut down the device when the batteries are fully charged. Fully charge the respective battery at least once a month.

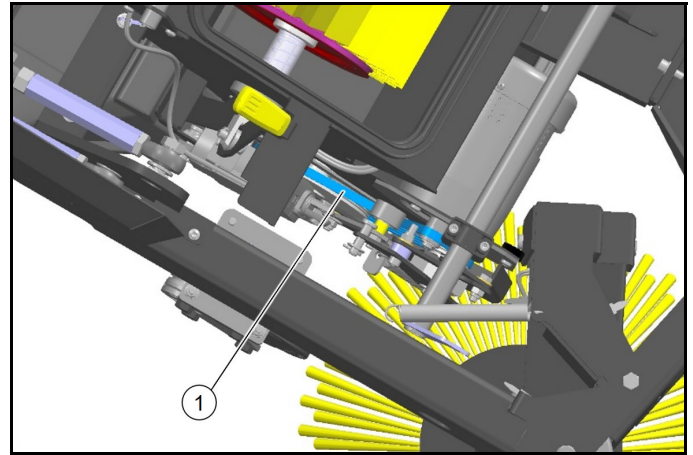
### **Additionally for the Combo variant:**

- Check all Bowden cables and moving parts for ease of motion.

- Check the sweeping mechanism sealing strips for correct adjustment and for wear and tear.

### **Quarter-yearly**

Only for the Combo variant:



#### **① Roller brush drive belt**

1. Check the tension, wear, and function of the drive belt in the sweeping mechanism.

## **Note**

Have a damaged or worn belt replaced by Customer Service.

### **Annually**

- Have the prescribed inspection performed by Customer Service.

### **Safety inspection/maintenance contract**

You can agree on regular safety inspections or close a maintenance contract with your dealer. Please seek advice on this.

### **Maintenance work**

#### **Cleaning the waste water tank**

1. Set the program Tankspülung via the display using the info button.
2. Open the lid of the waste water tank detergent filling opening.
3. Rinse the waste water tank with clear water.
4. Clean the edge of the cleaning opening.
5. Close the lid of the waste water tank cleaning opening again.

## **Note**

Cleaning can also be performed using other water sources.

### **Turning over or replacing the suction lips**

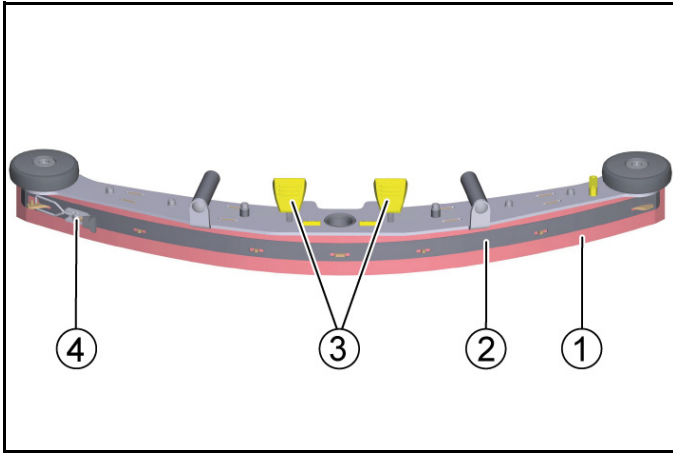
If the suction lips are worn, they must be turned over or replaced.

## **Note**

The suction lips can be turned 3 times until all 4 edges are worn.

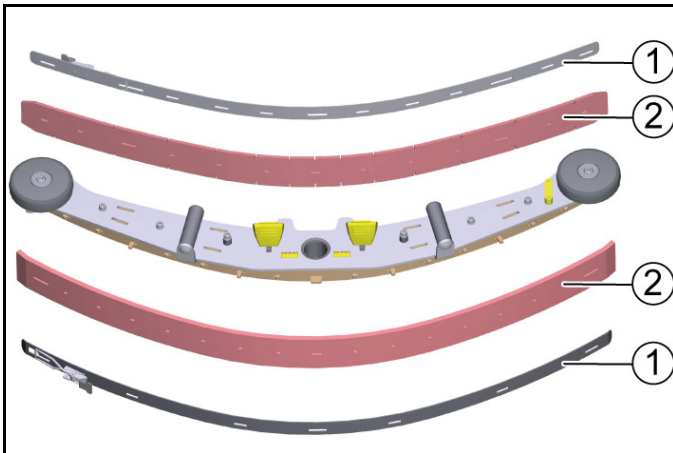
1. Open the eccentric levers (2x).

2. Remove the suction bar.



- ① Squeegee blade
- ② Strap
- ③ Eccentric levers (2x)
- ④ Tension lock

3. Open the tension lock.
4. Remove the strap.
5. Remove the squeegee blade.
6. Press the turned or new suction lips onto the nubs of the inner part of the suction bar.

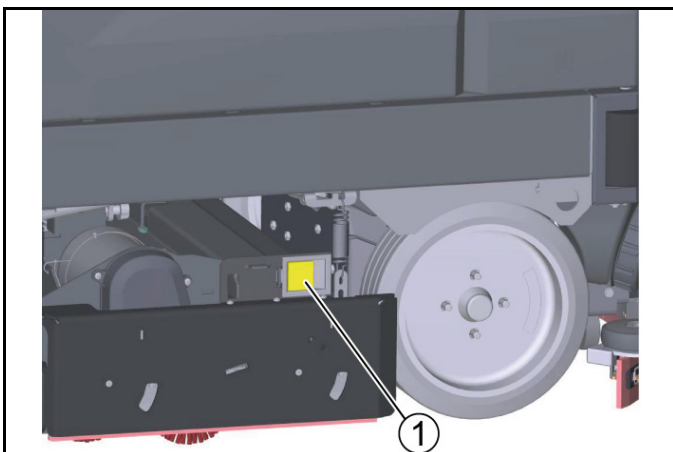


- ① Strap
- ② Squeegee blade

7. Attach the strap.
8. Fit the suction bar
9. Close the eccentric levers (2x).

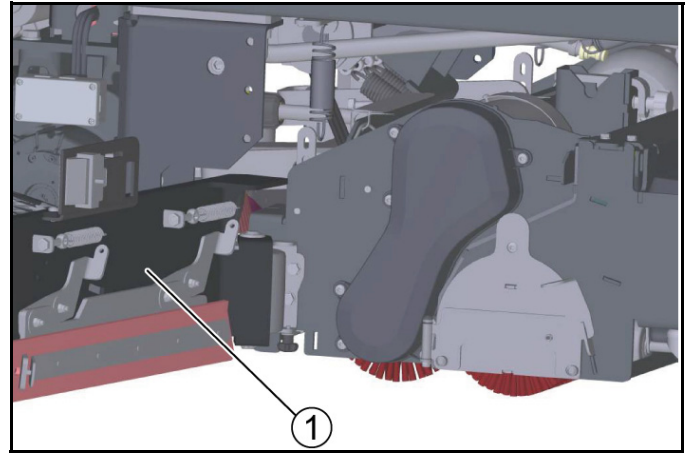
### Replacing the roller brushes

1. Pull the tab.

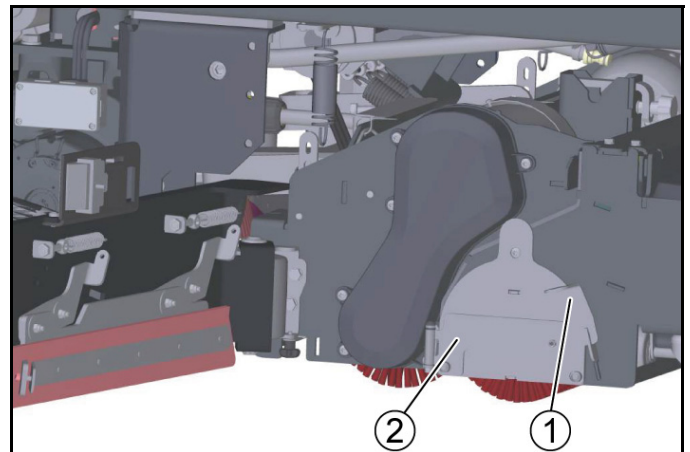


- ① Tab

2. Pivot open the squeegee blade side doors.



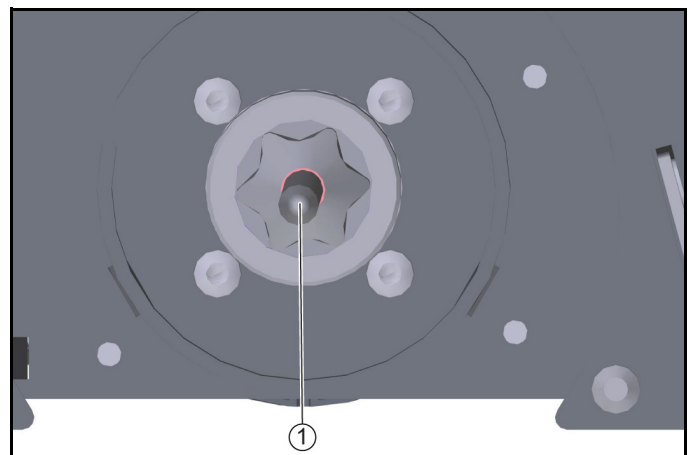
- ① Squeegee blade side doors
3. Pivot the yellow lever upwards.



- ① Bar
  - ② Safety flap
4. Pivot away the safety flap.
  5. Pull off the brush retaining plate.
  6. Remove the roller brush.
  7. Fit the new roller brush.

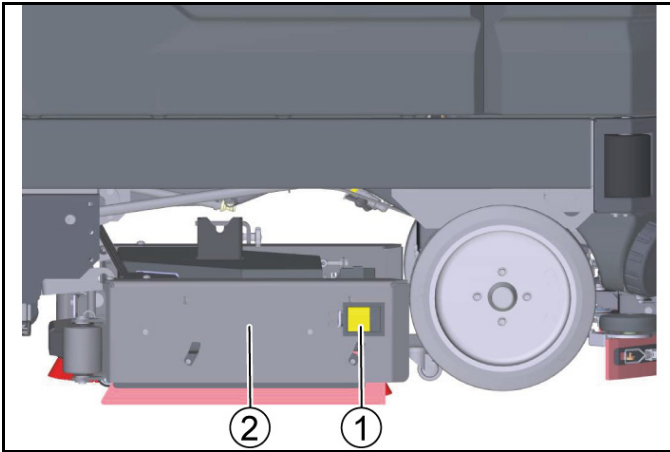
## Note

When fitting the roller brush, note that it must be placed on the PIN provided in the brush tunnel.



- ① PIN
8. Fit the brush retaining plate again.
  9. Close the safety flap.
  10. Pivot the latch downwards into the hook.
  11. Pivot the squeegee blade side door closed.
- Repeat the procedure on the opposite side.

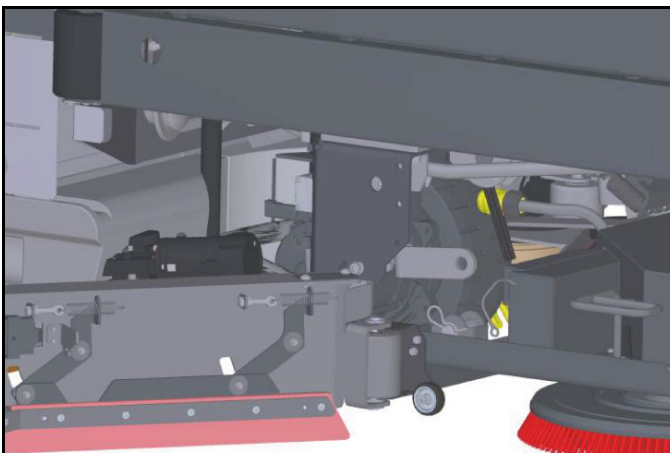
## Replacing squeegee blades



① Tab

② Squeegee blade side doors

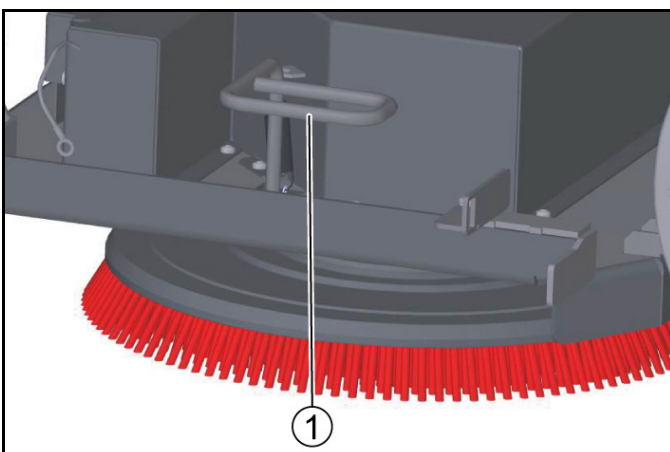
1. Pull the tab.
2. Pivot open the squeegee blade side doors.
3. Unscrew the screws (6x).



4. Replace the squeegee blade.
5. Reinstall the screws (6x).
6. Close the squeegee blade holder again.

## Replacing the disc brushes

1. Pull the tab on the side doors.



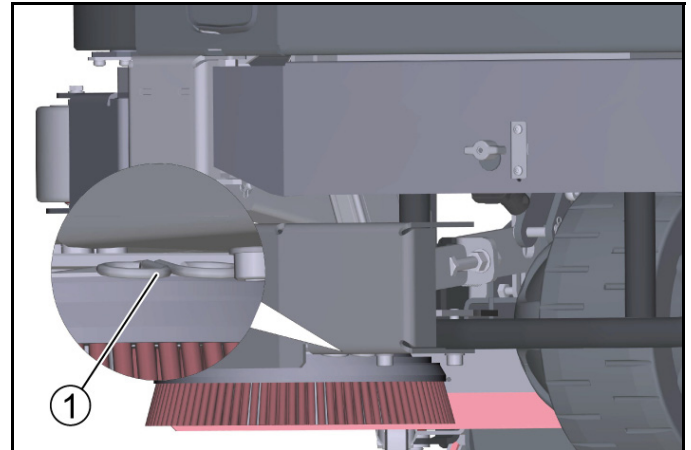
① Bracket

2. Pivot open the squeegee blade side doors.
3. Push the bracket downwards.
4. Pull the disc brush sideways and out from underneath the cleaning head.
5. Hold the new disc brush under the cleaning head, then press upwards and latch it into position.
6. Pivot the squeegee blade side doors closed again.

## Additional maintenance work on the side scrubbing deck

### Cleaning the brush

1. Turn the brush clockwise until the brush holder springs are facing forward.
2. Pull the brush holder springs apart.



①

① Brush holder springs

The brush falls out of the holder.

3. Check the brush for foreign objects (e.g. parcel tape or foil).
4. Clean the brush under running water.
5. Pull the brush holder springs apart and fit the brush.

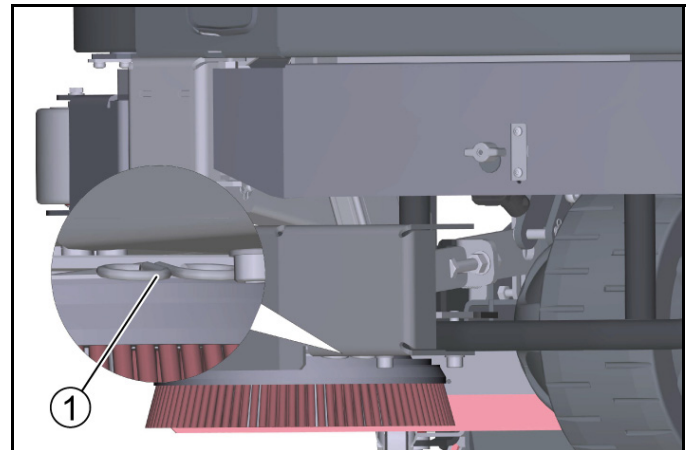
### Checking the brush for wear and tear

The brush is worn out when the bristle length corresponds to the length of the yellow indicator bristle.

1. Replace the brush (See *Replacing the brush*).

### Replacing the brush

1. Turn the brush clockwise until the brush holder springs are facing forward.
2. Pull the brush holder springs apart.



①

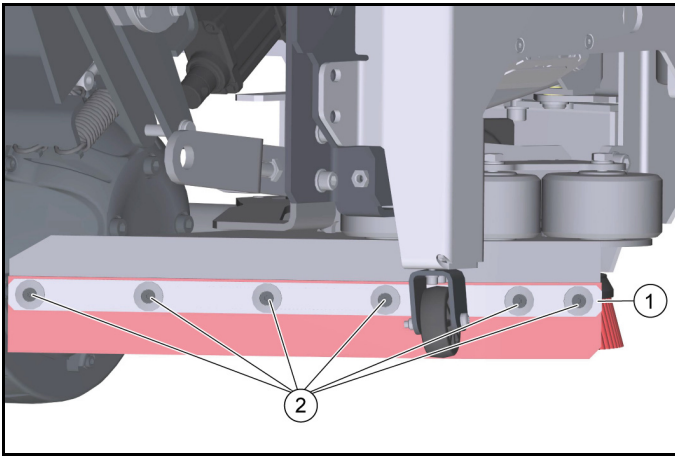
① Brush holder springs

The brush falls out of the holder.

3. Fit the new brush.
4. Pull the brush holder springs apart and fit the brush.

### Replacing the squeegee blade

1. Unscrew the M6 x 12 screws (6x).



- ① Retaining plate
- ② M6 x 12 screws

2. Remove the retaining plate and the squeegee blade.
3. Fit the new squeegee blade on the retaining plate.
4. Fasten the retaining plate using the M6 x 12 screws (6x).

### Maintenance work on the pre-sweeping unit (only for Combo variant)

## ⚠ DANGER

### Danger of crushing and shearing!

Danger of crushing and shearing due to running belt drives.

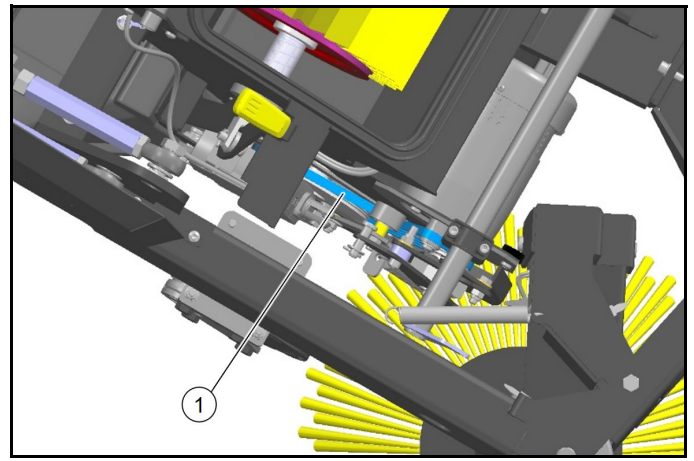
It is essential to close and lock the pre-sweeping unit hood before you can put the device back into operation after maintenance work.

### Checking the drive belt

1. Open the lock on the handle, swivel the hood upwards and lock the support in place.



2. Check the tension, wear and function of the brush roller drive belt.



- ① Roller brush drive belt

## Note

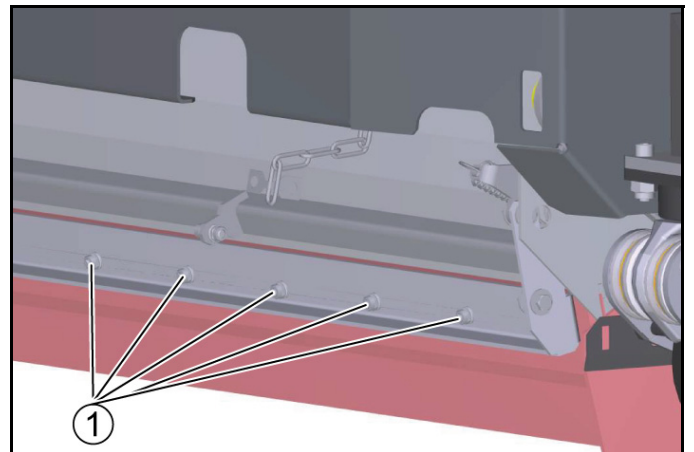
Have a damaged or worn belt replaced by Customer Service.

### Checking the sweeping mechanism sealing strips

1. Place the device on a level surface.
2. Set the program selection switch to "0".
3. Use a chock to secure the device against rolling away.
4. Remove the waste container.

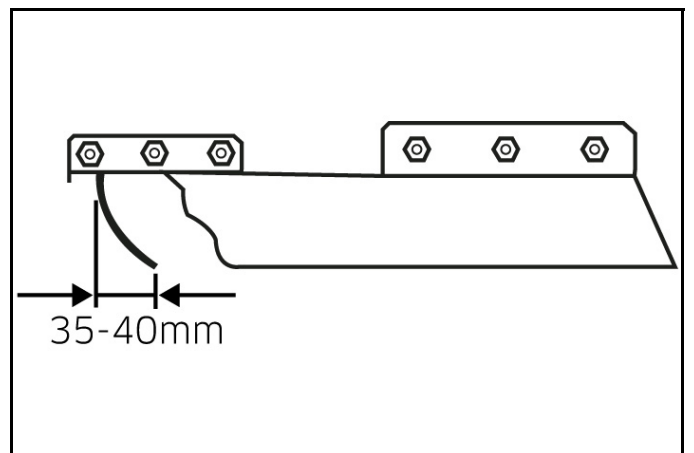
### Front sealing strip

5. Unscrew the nuts (5x).



- ① Nut

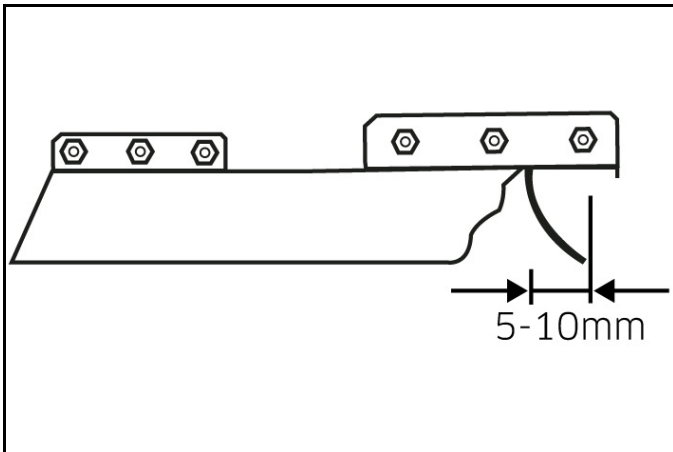
6. Align the ground clearance of the sealing strip so that it bends to the rear by 35-40 mm at the ground.



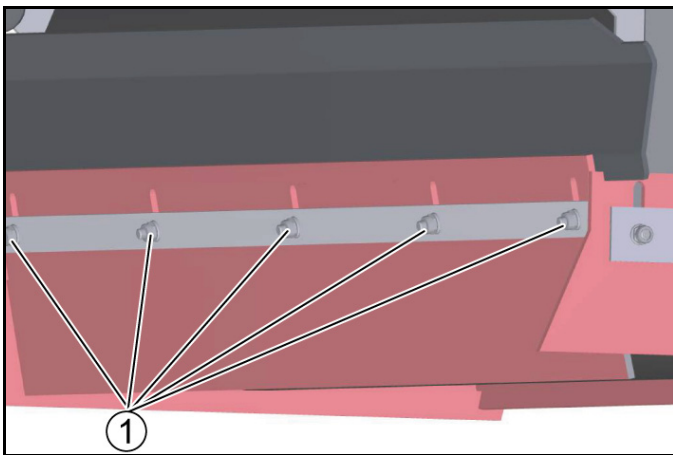
7. Tighten the nuts (5x).

### Rear sealing strip

Adjust the ground clearance of the rear sealing strip so that it bends to the rear by 5-10 mm at the ground.



8. Replace the sealing strip if it is worn.
9. Remove the roller brush (see chapter *Replacing the roller brush*).
10. Loosen the screws (5x).

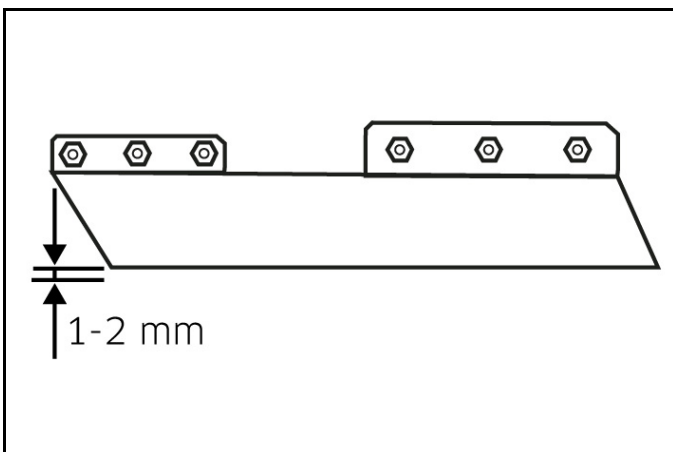


① Screw

11. Fit the new sealing strip.
12. Tighten the screw (5x).

### Side sealing strips

13. Release the fastening screws.



14. Adjust the ground clearance by inserting an underlay 1-2 mm thick.
15. Align the sealing strip.
16. Tighten the screws.
17. Install the roller brush.

### Replacing the dust filter

## ⚠ DANGER

### Health risk from dust

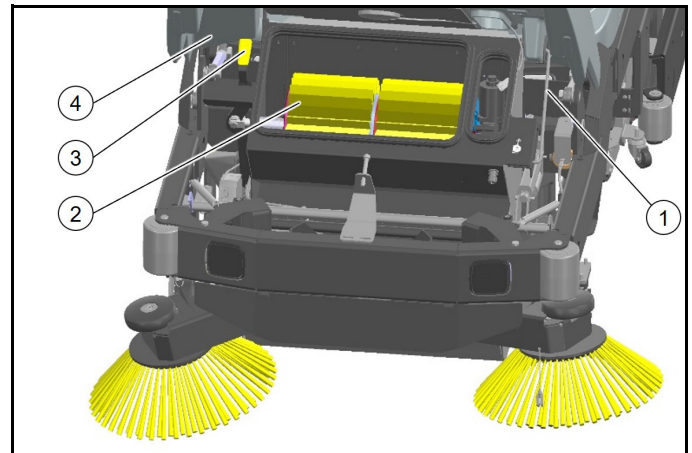
Wear a dust mask and safety goggles when working on the filter system.

Observe the safety instructions on the handling of fine dust.

1. Switch off the machine, see chapter *Finishing operation*.

### Removing:

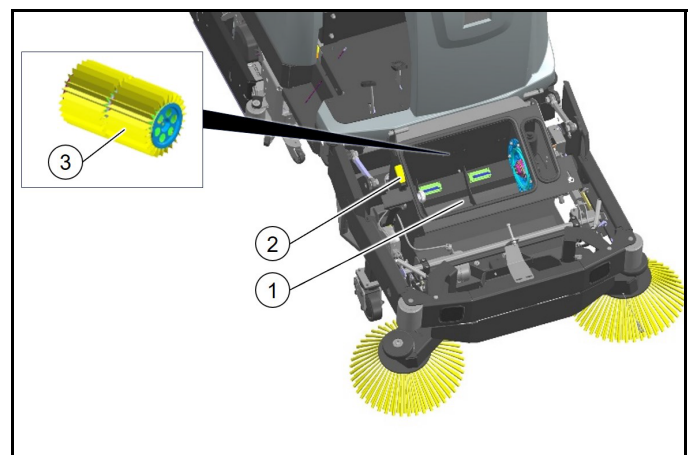
2. Wait at least 1 minute until the automatic dust filter cleaning has finished and the dust has settled in the filter box.
3. Open the lock on the handle, swivel the hood upwards and lock the support in place.



- ① Support
- ② Dust filter
- ③ Lever
- ④ Storage area

4. Move the lever in the travel direction to the right into the lock.

5. Remove the dust filter upwards.



- ① Storage area
- ② Lever
- ③ Dust filter

### Cleaning:

6. Check the dust filter for dirt and damage, clean or replace if necessary.

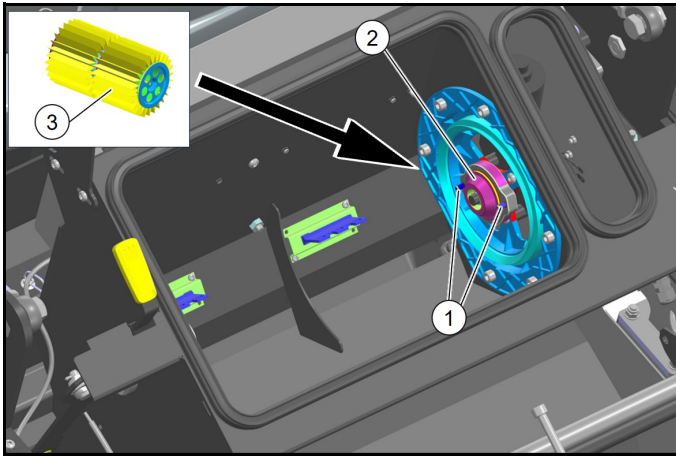
## ATTENTION

Do not clean or brush out the dust filter with compressed air. Gently tap or vacuum to clean.

7. Clean the dust filter housing.

### Installation:

- Place the dust filter on the drive shaft, so that the drive pins are positioned in the side openings of the dust filter.

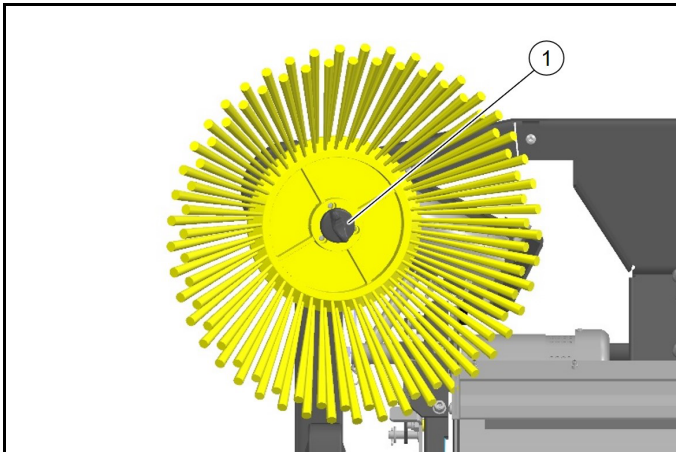


- Drive pin
- Drive shaft
- Dust filter

- Release the lever from the lock and move it to the left in the direction of travel.
- Release the support from the lock and swivel the hood downwards.

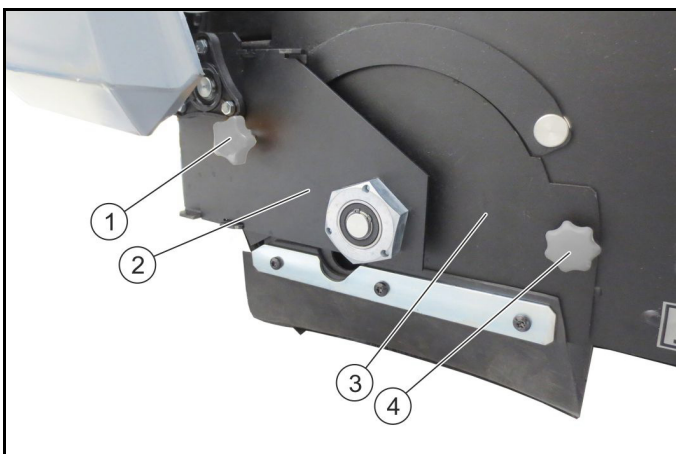
### Replacing the side brushes

- Unscrew the star grip.



- Star grip
- Remove the side brush.
- Push on the new side brush.
- Screw in and tighten the star grip.

### Replacing the roller brush



- Star grip, left
- Bearing plate

- Cover plate
- Star grip, right

- Pull the locking bolt forwards and swivel out the side steering roller of the pre-sweeping unit.
- Unscrew the left star handle.
- Pull out the bearing plate.
- Unscrew the right star handle.
- Pull off the cover plate.



- Roller brush
- Brush roller mount
- Forwards direction of travel

- Remove the roller brush.
- Check for wear and entangled pieces of tape.
- As necessary: Install the new roller brush.
- When installing, make sure that it is installed in the correct position (the brush roller mounts are identical).
- Install the cover plate and bearing plate in reverse order.
- Swivel in the side steering roller of the pre-sweeping unit and lock it in place.

### Frost protection

If there is a risk of frost:

- Empty the fresh water tank and the waste water tank.
- Park the device in a frost-protected room.

### Troubleshooting guide

## ⚠ DANGER

**Danger of injury if the device is started unintentionally!**

Unintentional starting of the device can cause injury to persons working on the device.

Remove the Intelligent Key prior to all work on the device. Before carrying out any work, pull the mains plug of the internal charger out of the socket.

Disconnect the battery connector before performing any work.

## ⚠ WARNING

**Danger of injury from moving elements!**

The suction turbine, side brushes and filter dedusting run on after switching off.

Do not carry out any work on the device until the components have come to a standstill.

- Drain the waste water.
- Drain the remaining fresh water.

## Note

If the malfunction cannot be remedied with the following information, notify Customer Service.

## Replacing fuses

Only the automotive flat fuses with the following values may be replaced by the operator:

- 5A– Controller and emergency power supply
- 20A – Per stroke/accessory module supply
- 50A - Lifting/cleaning module 3

## ATTENTION

### Damage to the controller!

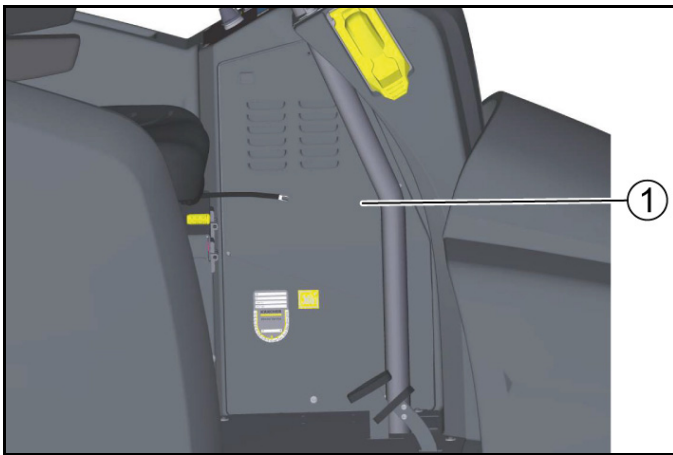
Improper replacement of the fuses can damage the controller.

Have defective pole fuses replaced only by the Customer Service. If pole fuses are defective, the operating conditions and the entire controller must be checked by the Customer Service.

The controller is located below the control panel. To access the fuses, remove the cover on the left side of the footwell.

## Note

The fuse assignment can be found on the inside of the cover.



### ① Bar cover

1. Unscrew the screws (3x).
2. Remove the bar cover.
3. Replace the fuse.
4. Attach the cover.

## Replace fuses for pre-sweeping unit (Combo variant only)

Only the fuses with the following values may be replaced by the operator:

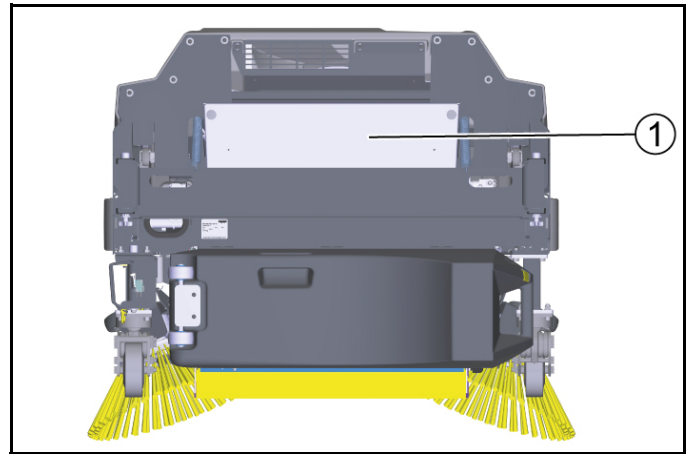
- 100A - In-line fuse Curtis module
- 30A - Curtis module power supply
- 10A - Control panel switch
- 20A - Main contactor and KSI Curtis module

## ATTENTION

### Damage to the controller!

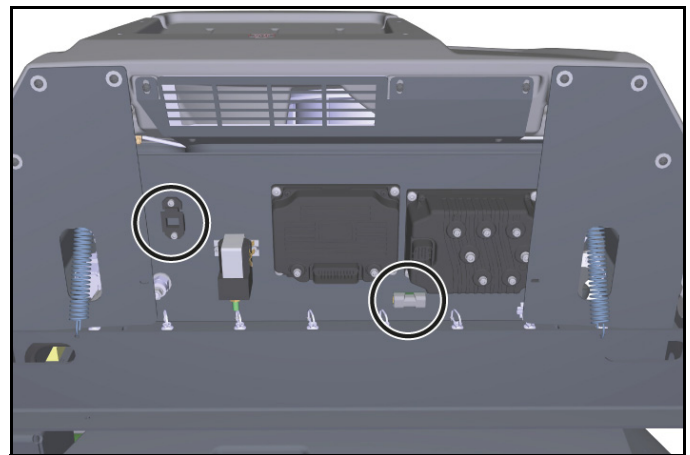
Improper replacement of the fuses can damage the controller.

Have defective pole fuses replaced only by the Customer Service. If pole fuses are defective, the operating conditions and the entire controller must be checked by the Customer Service.



### ① Bar cover

1. Remove the cover flaps on the left and right.
2. Loosen the two screws on the cover.
3. Remove the bar cover.
4. Replace the fuse.



### ① Bar cover

5. Attach the cover.

## Malfunctions with information shown on the display

If faults are shown on the display, proceed as follows:

### ● Fault display as a numerical code

In the event of a fault display with a numerical code, first reset the fault (the device):

- a Set the program selection switch to "0".
- b Wait until the display has switched off.
- c Set the program selection switch to the previous program.

Carry out the appropriate remedial measures in the order given only if the error occurs again. The program selection switch must be in position "0" and the Intelligent Key must have been pulled out.

- d If the error cannot be rectified, call Customer Service and state the error message.

### ● Fault display as text

- a Follow the instructions on the display.
- b Acknowledge the malfunction by pressing the Info button.

## Note

Fault messages that are not listed in the following table indicate errors that cannot be rectified by the operator. In this case, please call Customer Service.

<b>Error</b>	<b>Rectification</b>
<b>Seat switch open!</b>	<ol style="list-style-type: none"> <li>1. Release the accelerator pedal.</li> <li>2. Adjust the driver's seat to the correct body weight.</li> <li>3. Relieve the driver's seat briefly so that the controller can check the function of the seat contact switch.</li> <li>4. Fully load the driver's seat.</li> </ol>
<b>Release the accelerator pedal!</b>	<ol style="list-style-type: none"> <li>1. Release the accelerator pedal.</li> </ol>
<b>Battery discharged!</b>	<ol style="list-style-type: none"> <li>1. Charge the battery.</li> </ol>
<b>Battery voltage impermissible!</b>	<ol style="list-style-type: none"> <li>1. Contact Customer Service</li> </ol>
<b>Fresh water tank empty!</b>	<ol style="list-style-type: none"> <li>1. Refill the fresh water tank.</li> </ol>
<b>Brush pressure not reached!</b>	<ol style="list-style-type: none"> <li>1. Check the brushes for wear and replace if necessary.</li> <li>2. Check the cleaning head functions: lower, raise.</li> </ol>
<b>Waste water full!</b>	<ol style="list-style-type: none"> <li>1. Empty the waste water tank.</li> </ol>
<b>Brake defective!</b>	<ol style="list-style-type: none"> <li>1. Stop driving the device.</li> <li>2. Contact Customer Service</li> </ol>
<b>Driving motor too hot! Cooling phase</b>	<ol style="list-style-type: none"> <li>1. Set the safety switch to position "0".</li> <li>2. Allow the device to cool down for at least 15 minutes.</li> <li>3. Contact Customer Service if this occurs repeatedly</li> </ol>
<b>Horn defective!</b>	<ol style="list-style-type: none"> <li>1. Contact Customer Service.</li> </ol>
<b>Head CPU too hot! Cooling phase</b>	<ol style="list-style-type: none"> <li>1. Set the safety switch to position "0".</li> <li>2. Allow the controller to cool down for at least 5 minutes.</li> <li>3. Significantly reduce the brush pressure on rough ground.</li> <li>4. Contact Customer Service if this occurs repeatedly.</li> </ol>
<b>Brush drive overloaded!</b>	<ol style="list-style-type: none"> <li>1. Reduce the brush contact pressure.</li> <li>2. Check if foreign objects (e.g. parcel tape, pieces of wood) are blocking the brushes.</li> </ol>
<b>No travel direction!</b>	<ol style="list-style-type: none"> <li>1. Switch off the device.</li> <li>2. Push the direction switch back and forth a few times.</li> <li>3. Switch on the device.</li> <li>4. Contact customer service if the error persists.</li> </ol>

#### **Faults not shown in the display**

<b>Error</b>	<b>Rectification</b>
<b>The device cannot be started</b>	<ol style="list-style-type: none"> <li>1. Insert the battery plug.</li> <li>2. Only for Li-Ion battery: Press the on/off button on the bottom edge of the separate display.</li> <li>3. Set the safety switch to "1".</li> <li>4. Insert the Intelligent Key.</li> <li>5. Check fuse F1, replace if necessary, (see chapter <i>Replacing fuses</i>).</li> <li>6. Check the batteries and charge if necessary.</li> </ol>
<b>The water quantity is insufficient</b>	<ol style="list-style-type: none"> <li>1. Check the fresh water filling level, if necessary fill the tank completely so that the air is pressed out.</li> <li>2. Check the hoses for clogging and clean if necessary.</li> <li>3. Remove and clean the fresh water filter.</li> <li>4. Open the fresh water ball tap.</li> </ol>
<b>The suction performance is too low</b>	<ol style="list-style-type: none"> <li>1. Close the lid on the waste water drain hose.</li> <li>2. Clean the seals between the waste water tank and the cover, check for leaks and replace if necessary.</li> <li>3. Clean the turbine filter.</li> <li>4. Clean the suction lips at the suction bar, turn over or replace if necessary.</li> <li>5. Check the suction hose for clogging and clean if necessary.</li> <li>6. Check the suction hose for leaks and replace if necessary.</li> <li>7. Check the adjustment of the suction bar.</li> </ol>

Error	Rectification
<b>The cleaning results are unsatisfactory</b>	<ol style="list-style-type: none"> <li>1. Set the appropriate cleaning program for the cleaning task.</li> <li>2. Use suitable brushes for the cleaning task.</li> <li>3. Use a suitable detergent for the cleaning task.</li> <li>4. Reduce the driving speed.</li> <li>5. Adjust the contact pressure.</li> <li>6. Adjust the squeegee blades.</li> <li>7. Check the brushes for wear and tear and replace if necessary.</li> <li>8. Check the water output.</li> </ol>
<b>The brushes do not rotate</b>	<ol style="list-style-type: none"> <li>1. Reduce the contact pressure.</li> <li>2. Check if the brushes are blocked by a foreign body and remove the foreign body if necessary.</li> </ol>
<b>The optional all-round light and/or the working light do not light up</b>	<ol style="list-style-type: none"> <li>1. Check fuse F3, replace if necessary, (see chapter <i>Replacing fuses</i>).</li> </ol>
<b>Error K1/109</b>	<ol style="list-style-type: none"> <li>1. Switch off the device.</li> <li>2. Wait one minute.</li> <li>3. Switch the device on again.</li> </ol>

### Additional malfunctions on the Combo variant

Error	Rectification
<b>The device does not sweep properly</b>	<ol style="list-style-type: none"> <li>1. Check the roller brush and the side brushes for wear, replace if necessary.</li> <li>2. If the roller brush does not turn, check the drive belt, clean if necessary.</li> <li>3. Check the function of the coarse dirt flap.</li> <li>4. Check the sealing strips for wear, adjust or replace if necessary.</li> </ol>
<b>The sweeping mechanism creates a dust cloud</b>	<ol style="list-style-type: none"> <li>1. Empty the waste container.</li> <li>2. Check the function of the fan of the sweeping mechanism.</li> <li>3. Check the sealing sleeve on the suction fan.</li> <li>4. Check the dust filter, clean or replace if necessary.</li> <li>5. Check the filter box seal.</li> <li>6. Check the sealing strip for wear, adjust or replace if necessary.</li> </ol>
<b>The cleaning result when sweeping in the edge area is unsatisfactory</b>	<ol style="list-style-type: none"> <li>1. Check the height adjustment of the side brushes, adjust if necessary.</li> <li>2. Replace the side brushes.</li> </ol>

### Technical data

		B 260 RI (D100)	B 260 RI Combo (D100)	B 260 RI (R 120)	B 260 RI Combo (R 120)	B 260 RI (R100)	B 260 RI Combo (R100)
<b>General</b>							
Driving / cleaning speed	mph	6.21	6.21	6.21	6.21	6.21	6.21
Transport speed	mph	6.21	6.21	6.21	6.21	6.21	6.21
Reverse speed	mph	3.73	3.73	3.73	3.73	3.73	3.73
Permissible braking distance on level ground at max. travel speed of 10 km/h	m	1.9	1.9	1.9	1.9	1.9	1.9
Application time depending on brush head, brush contact pressure and roughness of the ground	h	4	3.5	4	3.5	4	3.5
Theoretical surface coverage	ft <sup>2</sup> /h (m <sup>2</sup> /h)	107639.1 (10000)	107639.1 (10000)	129166.9(12000)	129166.9(12000)	107639.1 (10000)	107639.1 (10000)
Theoretical surface coverage with side scrubbing deck	ft <sup>2</sup> /h (m <sup>2</sup> /h)	120555.8 (11200)	---	---	---	120555.8 (11200)	---
Theoretical surface coverage with 2 side brushes	ft <sup>2</sup> /h (m <sup>2</sup> /h)	123785 (11500)	123785 (11500)	144236.4 (13400)	144236.4 (13400)	123785 (11500)	123785 (11500)
Practical surface coverage with brush head	ft <sup>2</sup> /h (m <sup>2</sup> /h)	75347.4 (7000)	75347.4 (7000)	90416.8 (8400)	90416.8 (8400)	75347.4 (7000)	75347.4 (7000)
Fresh/waste water tank volume	gal (l)	68.7 (260)	68.7 (260)	68.7 (260)	68.7 (260)	68.7 (260)	68.7 (260)
Coarse dirt container volume	gal (l)	---	---	8.4 (32)	8.4 (32)	6.7 (26)	6.7 (26)
Detergent tank (Dose option)	gal (l)	2.6 (10)	2.6 (10)	2.6 (10)	2.6 (10)	2.6 (10)	2.6 (10)

		<b>B 260 RI (D100)</b>	<b>B 260 RI Combo (D100)</b>	<b>B 260 RI (R 120)</b>	<b>B 260 RI Combo (R 120)</b>	<b>B 260 RI (R100)</b>	<b>B 260 RI Combo (R100)</b>
Detergent dosing range (from - to)	%	0-3	0-3	0-3	0-3	0-3	0-3
Minimum water dosing quantity	l/min	0,9	0.9	0,9	0.9	0.9	0,9
Maximum water dosing quantity	l/min	9	9	9	9	9	9
Max. surface pressure (incl. driver, water)	N/mm <sup>2</sup>	1,33	1.33	1.33	1,33	1.33	1.33
<b>Device performance data</b>							
Rated voltage	V	36	36	36		36	36
Battery capacity	Ah	525/630	525/630	525/630	525/ 630/630	525/630	525/630
Mean power input	W	6500	8000	6500	8000	6500	8000
Driving motor power	W	2200	2200	2200	2200	2200	2200
Suction motor power	W	2x840	2x840	2x840	2x840	2x840	2x840
Brush motor power	W	2x 1100	2x 1100	2x 1100	2x 1100	2x 1100	2x 1100
Charging time with empty battery (lead acid)	h	10	10	10	10	10	10
Charging time with empty battery (Li-Ion)	h	3	3	3	3	3	3
Brush roller drive power	W	---	600	---	600	---	600
Side brushes power (option)	W	2x80	2x80	2x80	2x80	2x80	2x80
Sweeping mechanism suction turbine power	W	---	115	---	115	---	115
<b>Suction</b>							
Suction Power, Airflow	l/s	28 x 2	28 x 2	28 x 2	28 x 2	28 x 2	28 x 2
Suction performance, vacuum	kPa (mbar)	14 (140)	14 (140)	14 (140)	14 (140)	14 (140)	14 (140)
Vacuum turbine/suction bar	kPa (mbar)	22/11 (220/110)	22/11 (220/110)	22/11 (220/110)	22/11 (220/110)	22/11 (220/110)	22/11 (220/110)
Filter area of dust filter	m <sup>2</sup>	---	4	---	4	---	4
<b>Cleaning Brushes</b>							
Brush Diameter	in (mm)	20.1 (510)	20.1 (510)	6.3 (160)	6.3 (160)	6.3 (160)	6.3 (160)
Brush length	in (mm)	---	---	44 (1118)	44 (1118)	36 (914)	36 (914)
Brush rotation speed	1/min	140	140	1250	1250	1250	1250
Brush rotation speed side scrub deck	1/min	140	---	---	---	140	---
Brush diameter side scrub deck	in (mm)	11.8 (300)	---	---	---	300	---
Roller brush diameter	in (mm)	---	9.8 (250)	---	9.8 (250)	---	9.8 (250)
Roller brush width	in (mm)	---	24 (610)	---	24 (610)	---	24 (610)
Roller brush speed	1/min	---	650	---	650	---	650
Side brush diameter	in (mm)	17.7 (450)	17.7 (450)	17.7 (450)	17.7 (450)	17.7 (450)	17.7 (450)
<b>Dimensions</b>							
Length	in (mm)	75.8 (1925)	106.7 (2710)	75.8 (1925)	106.7 (2710)	75.8 (1925)	106.7 (2710)
Width (without suction bar)	in (mm)	40.9 (1040)	40.9 (1040)	52.3 (1328)	52.3 (1328)	42.1 (1070)	42.1 (1070)
Width (with suction bar)	in (mm)	44.9 (1140)	44.9 (1140)	52.8 (1340)	52.8 (1340)	44.9 (1140)	44.9 (1140)
Height	in (mm)	61.6 (1565)	61.6 (1565)	61.6 (1565)	61.6 (1565)	61.6 (1565)	61.6 (1565)
Height (with overhead guard, flashing beacon)	in (mm)	86.6 (2200)	86.6 (2200)	86.6 (2200)	86.6 (2200)	86.6 (2200)	86.6 (2200)
Working width with side scrubbing deck	in (mm)	44.1 (1120)	---	---	---	40.1 (1120)	---
Working width with side brushes	in (mm)	45.3 (1150)	49.6 (1260)	52.8 (1340)	49.6 (1260)	45.3 (1150)	49.6 (1260)

		<b>B 260 RI (D100)</b>	<b>B 260 RI Combo (D100)</b>	<b>B 260 RI (R 120)</b>	<b>B 260 RI Combo (R 120)</b>	<b>B 260 RI (R100)</b>	<b>B 260 RI Combo (R100)</b>
Turning circle (Ø)	in (mm)	83.5 (2120)	196.3 (4960)	83.5 (2120)	196.3 (4960)	83.5 (2120)	196.3 (4960)
Battery compartment size (LxWxH)	in (mm)	33.1 x 24.6 x 20.5 (840 x 625 x 520)	33.1 x 24.6 x 20.5 (840 x 625 x 520)	33.1 x 24.6 x 20.5 (840 x 625 x 520)	33.1 x 24.6 x 20.5 (840 x 625 x 520)	33.1 x 24.6 x 20.5 (840 x 625 x 520)	33.1 x 24.6 x 20.5 (840 x 625 x 520)
Front wheel, width	in (mm)	5.2 (132)	5.2 (132)	5.2 (132)	5.2 (132)	5.2 (132)	5.2 (132)
Front wheel, diameter (outside)	in (mm)	11.8 (300)	11.8 (300)	11.8 (300)	11.8 (300)	11.8 (300)	11.8 (300)
Rear wheel, width	in (mm)	4.3 (108)	4.3 (108)	4.3 (108)	4.3 (108)	4.3 (108)	4.3 (108)
Rear wheel, diameter (outside)	in (mm)	14.8 (375)	14.8 (375)	14.8 (375)	14.8 (375)	14.8 (375)	14.8 (375)
<b>Weight</b>							
Approved total weight	lbs (kg)	4056.5 (1840)	4453 (2020)	4056.5 (1840)	4453 (2020)	4056.5 (1840)	4453 (2020)
Transport weight (with 525/630 Ah battery, 75 kg driver, average Brush head)	lbs (kg)	2116.4 (960)/ 3218.7 (1460)	2557.3 (1160)/ 3659.6 (1660)	2116.4 (960)/ 3218.7 (1460)	2557.3 (1160)/ 3659.6 (1660)	2116.4 (960)/ 3218.7 (1460)	2557.3 (1160)/ 3659.6 (1660)
Weight, ready for operation (with 525 / 630 Ah battery and full tank)	lbs (kg)	2515.4 (1141)/ 3617.7 (1641)	2956.4 (1341)/ 4058.7 (1841)	2515.4 (1141)/ 3617.7 (1641)	2956.4 (1341)/ 4058.7 (1841)	2515.4 (1141)/ 3617.7 (1641)	2956.4 (1341)/ 4058.7 (1841)
Brush contact pressure	lbs (kg)	286.6 (130)	286.6 (130)	330.7 (150)	330.7 (150)	330.7 (150)	330.7 (150)
Brush contact pressure	N / m <sup>2</sup> (g / cm <sup>2</sup> )	4118.8 (42)	4118.8 (42)	16475.2 (168)	16475.2 (168)	20594 (210)	20594 (210)
<b>Surface load (with driver and full fresh water tank)</b>							
Sweeping mechanism wheel surface load	N / m <sup>2</sup> (g / cm <sup>2</sup> )	---	---	---	---	---	---
Load per unit area, front wheel	N / m <sup>2</sup> (g / cm <sup>2</sup> )	20299.8 (207)	20299.8 (207)	20299.8 (207)	20299.8 (207)	20299.8 (207)	20299.8 (207)
Load per unit area, rear wheel	N / m <sup>2</sup> (g / cm <sup>2</sup> )	5884 (60)	5884 (60)	5884 (60)	5884 (60)	5884 (60)	5884 (60)
<b>Charger offboard ex works</b>							
Cable length	in (mm)	118.1 (3000)	118.1 (3000)	118.1 (3000)	118.1 (3000)	118.1 (3000)	118.1 (3000)
Voltage	V	230	230	230	230	230	230
Frequency range	Hz	50/60	50/60	50/60	50/60	50/60	50/60
Dimensions	in (mm)	16.5 x 10.2 x 4.5 (420 x 260 x 115)	16.5 x 10.2 x 4.5 (420 x 260 x 115)	16.5 x 10.2 x 4.5 (420 x 260 x 115)	16.5 x 10.2 x 4.5 (420 x 260 x 115)	16.5 x 10.2 x 4.5 (420 x 260 x 115)	16.5 x 10.2 x 4.5 (420 x 260 x 115)
Weight	lbs (kg)	22 (10)	22 (10)	22 (10)	22 (10)	22 (10)	22 (10)
Protection class		IP 21	IP 21	IP 21	IP 21	IP 21	IP 21
Plug type		Schuko	Schuko	Schuko	Schuko	Schuko	Schuko
Charging current	A	65	65	65	65	65	65
<b>Charger Li-Ion offboard ex works</b>							
Cable length	mm	3000	3000	3000	3000	3000	3000
Voltage	V	380	380	380	380	380	380
Frequency range	Hz	50/60	50/60	50/60	50/60	50/60	50/60
Dimensions	mm	535 x 210 x 360	535 x 210 x 360	535 x 210 x 360	535 x 210 x 360	535 x 210 x 360	535 x 210 x 360
Weight	lbs (kg)	77 (35)	77 (35)	77 (35)	77 (35)	77 (35)	77 (35)
Protection class		IP 22	IP 22	IP 22	IP 22	IP 22	IP 22
Plug type		CEE 32 A	CEE 32 A	CEE 32 A	CEE 32 A	CEE 32 A	CEE 32 A

		B 260 RI (D100)	B 260 RI Combo (D100)	B 260 RI (R 120)	B 260 RI Combo (R 120)	B 260 RI (R100)	B 260 RI Combo (R100)
Charging current	A	200	200	200	200	200	200
Power	kW	13,3	13,3	13,3	13,3	13,3	13,3
<b>Ambient conditions</b>							
Maximum ambient temperature	°F (°C)	104 (40)	104 (40)	104 (40)	104 (40)	104 (40)	104 (40)
Minimum ambient temperature	°F (°C)	41 (5)	41 (5)	41 (5)	41 (5)	41 (5)	41 (5)
Maximum water temperature	°F (°C)	140 (60)	140 (60)	140 (60)	140 (60)	140 (60)	140 (60)
<b>Incline</b>							
Maximum gradient (for transport travel)	%	15	10	15	10	15	10
Maximum gradient (In scrub mode)	%	15	10	15	10	15	10
Maximum short-term incline with driver and empty waste and fresh water tank (max. 10 m)	%	25	18	25	18	25	18
<b>Determined values according to EN 60335-2-72</b>							
Total vibration value	m/s <sup>2</sup>	≤ 2.5	≤ 2.5	≤ 2.5	≤ 2.5	≤ 2.5	≤ 2.5
Arm total vibration value	m/s <sup>2</sup>	≤ 2.5	≤ 2.5	≤ 2.5	≤ 2.5	≤ 2.5	≤ 2.5
Hand-arm vibration value, uncertainty K	m/s <sup>2</sup>	≤ 2.5	≤ 2.5	≤ 2.5	≤ 2.5	≤ 2.5	≤ 2.5
Seat surface total vibration value	m/s <sup>2</sup>	≤ 0.5	≤ 0.5	≤ 0.5	≤ 0.5	≤ 0.5	≤ 0.5
Seat vibration value, uncertainty K	m/s <sup>2</sup>	≤ 0.5	≤ 0.5	≤ 0.5	≤ 0.5	≤ 0.5	≤ 0.5
Sound pressure level	dB(A)	73	74	73	74	73	74
Uncertainty K <sub>pA</sub>	dB(A)	3	3	3	3	3	3
Sound power level L <sub>WA</sub> + Uncertainty K <sub>WA</sub>	dB(A)	94	94	94	94	94	94
Protection class		IPX3	IPX3	IPX3	IPX3	IPX3	IPX3
<b>Side scrubbing deck</b>							
Power	W	260	---	---	---	260	---
Contact pressure	lbs (kg)	21.3 (9.7)	---	---	---	21.3 (9.7)	---
Contact pressure	N/mm <sup>2</sup>	0.00239	---	---	---	0.00239	---

Subject to technical changes without notice.

## Contenu

CONSIGNES DE SECURITE IMPORTANTES .....	35
QUALIFICATION DES UTILISATEURS .....	36
FORMATION DES UTILISATEURS .....	36
TESTS, FORMATION DE RECLASSEMENT ET APPLI- CATION.....	37
RÈGLES DE SÉCURITÉ ET PRATIQUES RELATIVES À L'UTILISATION .....	37
PROCÉDURES DE MAINTENANCE ET DE REMISE EN ÉTAT .....	39
NORMES DE SÉCURITÉ INCENDIE.....	39
Service à la clientèle .....	40
Remarques générales.....	40
Fonction .....	40
Utilisation conforme .....	41
Protection de l'environnement .....	41
Garantie .....	41
Accessoires et pièces de rechange .....	41
Étendue de livraison .....	41
Consignes de sécurité .....	41
Description de l'appareil.....	43
Montage.....	45
Fonctionnement .....	49
Terminer l'utilisation .....	53
Clé intelligente grise.....	54
Clé intelligente jaune .....	56
Clé intelligente blanche.....	56
Transport .....	57
Stockage.....	57
Entretien et maintenance .....	57
Dépannage en cas de défaut.....	64
Caractéristiques techniques.....	67

## CONSIGNES DE SECURITE IMPORTANTES

Veillez observer les mesures de prudence fondamentales, y compris les suivantes lors de l'utilisation de l'appareil :

# LIRE TOUTES LES INSTRUCTIONS AVANT L'UTILISATION DE CETTE MACHINE

## ⚠ AVERTISSEMENT

- Risque d'électrocution, d'incendie et de brûlures
- Ne pas laisser l'appareil sans surveillance lorsque la fiche est branchée.
- Débrancher l'appareil lorsqu'il n'est pas utilisé et avant de procéder à l'entretien.
- Utilisez l'appareil uniquement en intérieur.
- L'appareil n'est pas un jouet. Une prudence particulière est de mise lorsque vous utilisez l'appareil en présence d'enfants.
- Respecter impérativement les consignes d'utilisation de ce manuel.  
N'utilisez que les accessoires recommandés par le fabricant
- Ne pas l'utiliser si le cordon de sortie ou la fiche du chargeur de batterie sont endommagés. Si l'appareil ne fonctionne pas correctement, est tombé, endommagé, a été laissé à l'extérieur ou est tombé dans l'eau, vous devez le faire vérifier par le service après-vente avant de l'utiliser.
- Ne tirez pas sur le câble de charge du chargeur et ne l'utilisez pas comme poignée lors du transport de l'ap-

pareil, ne coincez pas le câble de charge du chargeur dans une porte et ne le tirez pas sur des angles ou bords coupants. Ne guidez pas l'appareil avec le câble de charge du chargeur. Tenez le câble de charge du chargeur éloigné de surfaces brûlantes.

- Ne débranchez pas l'appareil en tirant sur le câble de charge du chargeur de la prise de courant. Pour débrancher l'appareil du réseau électrique, tirez toujours sur la fiche.
- Ne touchez ni le chargeur ni l'appareil les mains humides.
- Ne branchez jamais d'objets dans les ouvertures de l'appareil. N'utilisez pas l'appareil lorsque les ouvertures sont bloquées. Tenez les ouvertures à l'abri de peluches, cheveux et de poussière ainsi que de tout ce qui entrave le flux d'air.
- Coupez l'appareil avant de débrancher la fiche secteur.
- Tenez cheveux, vêtements amples, vos doigts et parties corporelles éloignés des ouvertures et des pièces mobiles.
- Prudence lors de l'utilisation de l'appareil dans des escaliers.
- N'utilisez pas l'appareil pour aspirer des liquides combustibles ou inflammables, tels que de l'essence, et ne l'utilisez pas dans des zones susceptibles de contenir de tels produits.
- Branchez l'appareil uniquement sur une prise correctement reliée à la terre (voir chapitre *Instructions de mise à la terre*).

## ATTENTION

- Le présent appareil est conforme à la section 15 des réglementations de la FCC et à la licence d'Industrie Canada, à l'exclusion de la norme RSS.

L'exploitation est autorisée aux deux conditions suivantes :

- 1 l'appareil ne doit pas produire de brouillage, et
- 2 l'utilisateur de l'appareil doit accepter tout brouillage radioélectrique subi, même si le brouillage est susceptible d'en compromettre le fonctionnement.

## ATTENTION

- Tout changement ou toute modification apporté à cet équipement qui ne serait pas expressément approuvé par KÄRCHER pourrait annuler l'autorisation de la FCC d'exploiter cet équipement.

## Remarque

- Cet appareil a été testé et déclaré conforme aux limites relatives aux dispositifs numériques de classe B, conformément à la section 15 des réglementations de la FCC.
- Ces limites sont destinées à assurer un niveau de protection adéquat contre les interférences dans les installations résidentielles.
- Cet équipement produit, utilise et peut émettre des fréquences radioélectriques et, s'il n'est pas installé ou utilisé conformément aux directives, peut brouiller les ondes radio.
- Toutefois, il est impossible de garantir qu'aucune interférence ne se produira dans une installation particulière.
- Si cet équipement brouille la réception des ondes radio et télévision, ce que vous pouvez déterminer en éteignant et en rallumant l'appareil, nous vous encourageons à :

geons à prendre l'une ou plusieurs des mesures correctives suivantes :

- Réorienter ou déplacer l'antenne de réception.
- Augmenter l'écart entre l'équipement et le récepteur.
- Connecter l'équipement à une prise ou à un circuit électrique différent de celui auquel est branché le récepteur.
- Consultez votre revendeur ou un technicien radio/télé expérimenté si vous avez besoin d'aide.

## CONSERVER CES INSTRUCTIONS

### Instructions de mise à la terre

- Cet appareil doit être relié à la terre. En cas de défaut ou de panne, la liaison à la terre fournit une résistance moins forte au courant électrique pour réduire le risque d'électrocution.
- Cet appareil est équipé d'un câble de branchement au secteur avec conducteur de terre et fiche Schuko.
- La fiche doit être branchée dans une prise de courant adaptée installée et reliée à la terre conformément à toutes les prescriptions et ordonnances légales locales.

### ⚠ AVERTISSEMENT

- Un raccordement incorrect du conducteur de terre de l'appareil peut entraîner un risque d'électrocution.
- Contacter un électricien spécialisé ou un collaborateur du service après-vente en cas de doute sur la mise à la terre correcte de la prise de courant.
- Ne pas modifier la fiche fournie avec l'appareil.
- Si la fiche ne rentre pas dans la prise de courant, faire installer une prise de courant adaptée par un électricien spécialisé.
- Cet appareil a été conçu pour fonctionner à une tension nominale de 120 volts ; sa fiche de mise à la terre est similaire à celle illustrée à la figure A.
- Assurez-vous que la prise de courant utilisée est compatible avec la fiche secteur.
- N'utilisez pas d'adaptateur pour brancher cet appareil.

### BRANCHER UNIQUEMENT SUR UNE PRISE CORRECTEMENT RELIÉE A LA TERRE

- ① Prise reliée à la terre
- ② Socle de prise de courant
- ③ Fiche de mise à la terre

### QUALIFICATION DES UTILISATEURS

Seules les personnes formées et habilitées sont autorisées à utiliser les autolaveuses motorisées. Les utilisateurs de ces appareils doivent avoir les aptitudes visuelles et auditives ainsi que les capacités physiques et mentales requises pour utiliser cet équipement en toute sécurité.

### FORMATION DES UTILISATEURS

Les personnes n'ayant pas été formées à l'utilisation des autolaveuses motorisées sont autorisées à se servir de ce type d'appareil uniquement dans le cadre de formations, et ce sous la surveillance d'un formateur. En outre, les formations doivent être effectuées dans des zones exemptes de tout obstacle, d'autres véhicules et de piétons.

Le programme de formation doit comprendre l'apprentissage du règlement et des conditions d'utilisation propres au site dans lequel les utilisateurs feront usage de l'autolaveuse ainsi qu'une initiation à l'emploi du modèle particulier d'autolaveuse qui sera utilisé. Le programme de

formation sera proposé à tous les nouveaux utilisateurs, quelle que soit leur expérience antérieure.

Au cours de la formation, le stagiaire sera informé des points suivants :

- 1 Sa responsabilité principale est d'utiliser l'autolaveuse motorisée en toute sécurité, en respectant les instructions prescrites dans le cadre du programme de formation.
- 2 L'utilisation incorrecte d'une autolaveuse motorisée et le non-respect des mesures de sécurité peuvent provoquer : une mise en danger de l'utilisateur ou de tiers (blessures graves voire mortelles) ; l'endommagement de l'autolaveuse ou d'autres dégâts matériels.

Le programme de formation portera essentiellement sur l'utilisation correcte et en toute sécurité de l'appareil afin d'éviter toute blessure de l'utilisateur ou d'un tiers et de prévenir les dégâts matériels. Elle abordera en outre les aspects suivants :

- 1 Caractéristiques principales de l'autolaveuse ou des autolaveuses motorisées que le stagiaire utilisera :
  - caractéristiques de l'autolaveuse ou des autolaveuses motorisées, y compris les différences entre les autolaveuses motorisées employées sur le lieu de travail ;
  - similitudes et différences avec les automobiles ;
  - signification des données de plaque signalétique, des mises en garde et des instructions apposées sur l'autolaveuse motorisée ;
  - consignes d'utilisation et mises en garde du manuel d'utilisation de l'autolaveuse motorisée et instructions relatives aux inspections et opérations de maintenance incombant à l'utilisateur ;
  - type de force motrice et ses caractéristiques ;
  - méthode de conduite ;
  - méthode de freinage et ses caractéristiques ;
  - visibilité avant et arrière ;
  - caractéristiques de stabilité avec et sans chargement ainsi qu'avec et sans accessoires ;
  - emplacement des commandes, fonctions, instructions d'utilisation, identification des symboles ;
  - chargement de la batterie ;
  - carters et dispositifs de protection pour le type correspondant d'autolaveuse motorisée ;
  - autres caractéristiques du modèle particulier d'autolaveuse motorisée.
- 2 Environnement d'utilisation et son influence sur le fonctionnement de l'autolaveuse motorisée :
  - nature et état du sol ou du terrain, y compris les conditions temporaires ;
  - rampes et pentes ;
  - dispositif de chargement de la batterie ;
  - allées étroites, portes, câbles aériens, tuyauterie et autres zones difficiles d'accès ;
  - zones dans lesquelles il est possible d'utiliser l'autolaveuse motorisée à proximité d'autres machines industrielles, véhicules ou piétons ;
  - utilisation et capacité des élévateurs ;
  - utilisation à proximité d'un bord de quai ou d'un terrain viabilisé ;
  - d'autres conditions d'utilisation et risques peuvent se présenter.
- 3 Utilisation de l'autolaveuse motorisée, notamment :

## RÈGLES DE SÉCURITÉ ET PRATIQUES RELATIVES À L'UTILISATION

### Responsabilité de l'utilisateur

L'utilisateur est responsable de l'utilisation en toute sécurité de l'appareil.

L'utilisateur devra mettre en œuvre des habitudes de travail fiables et être conscient des facteurs pouvant représenter des risques afin de prévenir toute mise en danger de sa propre personne, des tiers, de l'autolaveuse motorisée et de tout autre équipement.

Avant d'utiliser l'appareil, l'utilisateur devra avoir acquis une connaissance approfondie des fonctions et du fonctionnement de toutes les commandes et de tous les instruments.

Avant d'utiliser l'appareil, l'utilisateur devra avoir lu et s'être familiarisé avec le manuel d'utilisation de l'appareil en question. Il devra par ailleurs se conformer aux règles de sécurité et pratiques décrites dans les paragraphes suivants.

Avant d'utiliser quelque appareil que ce soit, l'utilisateur doit être conscient des éventuelles conditions d'utilisation inhabituelles pouvant nécessiter des précautions de sécurité supplémentaires ou la mise en œuvre d'instructions d'utilisation particulières.

### Généralités

Avant d'utiliser l'autolaveuse motorisée :

- 1 se mettre en position de service ;
- 2 régler les commandes de direction en position neutre ;
- 3 activer le frein ;
- 4 mettre le commutateur sur ON.

Ne pas démarrer ou utiliser l'appareil, ni aucune de ses fonctions ou accessoires, à partir d'un autre endroit que celui réservé à l'utilisateur.

Garder les mains et les pieds à l'intérieur de l'espace réservé à l'utilisateur ou, le cas échéant, dans le logement de l'appareil prévu à cet effet.

Apprécier les limites de l'appareil et utiliser ce dernier en respectant les règles de sécurité de manière à ne pas blesser le personnel. Toujours protéger les piétons.

- 1 Ne pas diriger l'autolaveuse motorisée vers une personne se tenant devant un objet.
- 2 S'assurer qu'aucun individu ne se trouve dans la zone située à l'arrière de l'appareil avant de procéder à des manœuvres de changement de direction.
- 3 Être particulièrement attentif dans les croisements, à l'approche de portes et à tout autre endroit où des piétons risquent d'apparaître sur le parcours de l'autolaveuse motorisée.

Ne jamais autoriser des passagers sur les autolaveuses motorisées sauf lorsqu'un emplacement sécurisé a été prévu par le fabricant à cet effet.

Une autolaveuse motorisée est sous la surveillance de l'utilisateur lorsque ce dernier se trouve à moins de 7,6 mètres et que l'appareil ne quitte pas son champ de vision.

Une autolaveuse motorisée est considérée comme abandonnée lorsque l'utilisateur se trouve à plus de 7,6 mètres, même si l'appareil est toujours dans son champ de vision ou lorsqu'il quitte son poste et que l'appareil n'est plus dans son champ de vision.

Avant de quitter le poste de l'utilisateur :

- 1 arrêter l'appareil ;
- 2 régler les commandes de direction en position neutre ;

- contrôle minutieux avant la prise de poste et méthode appropriée pour la mise hors service d'une auto-laveuse motorisée nécessitant des réparations ;
- déplacement de l'appareil, virages ;
- procédures relatives au stationnement et à l'arrêt ;
- autres conditions d'utilisation particulières pour l'application spécifique.

#### 4 Règles de sécurité et pratiques relatives à l'utilisation, notamment :

- dispositions relatives aux normes décrites dans la section « Règles de sécurité et pratiques relatives à l'utilisation » ; **RÈGLES DE SÉCURITÉ ET PRATIQUES RELATIVES À L'UTILISATION**
- autres règles, réglementations ou pratiques précisées par l'employeur pour l'endroit où l'autolaveuse motorisée sera utilisée.

#### 5 Exercices pratiques d'utilisation, notamment :

- si possible, une utilisation pratique des autolaveuses motorisées doit être effectuée dans une zone éloignée du personnel et de toute autre activité exercée sur le lieu de travail ;
- cet exercice pratique sera réalisé sous la surveillance du formateur ;
- il consistera en l'utilisation concrète de l'appareil ou en des simulations de toutes les tâches telles que les manœuvres, le déplacement, l'arrêt, le démarrage et autres commandes réalisées dans des conditions similaires à celles qui seront rencontrées lors de l'utilisation de l'autolaveuse motorisée.

## TESTS, FORMATION DE RECLASSEMENT ET APPLICATION

- 1 Au cours de la formation, des tests pratiques et tests écrits et/ou oraux seront proposés par l'employeur pour évaluer les compétences et les connaissances du stagiaire et s'assurer qu'elles répondent aux exigences des normes. Les employeurs pourront déléguer ces tests à d'autres membres du personnel. Cependant ils en seront toujours responsables. Des archives pertinentes seront tenues.
- 2 Les utilisateurs devront suivre de nouvelles formations en cas d'introduction de nouveaux équipements ou de modifications des équipements existants, en cas de changement des conditions d'utilisation ou si leurs performances ne se révèlent pas satisfaisantes.
- 3 L'utilisateur est tenu pour responsable du respect des précautions de sécurité lors de l'utilisation de l'autolaveuse motorisée, conformément aux exigences des normes.

## Remarque

Des informations sur les formations des utilisateurs sont disponibles auprès de sources variées, comme les fabricants d'autolaveuses motorisées, les organismes administratifs chargés de la sécurité des employés, les organisations professionnelles d'utilisateurs de machines industrielles, des organisations publiques et privées, ainsi que des spécialistes en matière de sécurité.

- 3 actionner le frein à main ;
- 4 éteindre le moteur ou arrêter toutes les commandes ;
- 5 si l'appareil doit stationner sur une pente, caler les roues.

Conserver une distance de sécurité avec les bords des rampes, des plateformes et de toutes les autres surfaces de travail du même type.

Lors du chargement et du déchargement des autolaveuses motorisées dans des camions ou remorques, les freins de ces derniers doivent être actionnés. En outre, installer des cales de roue ou tout autre dispositif de blocage mécanique similaire afin de prévenir les déplacements involontaires des camions ou des remorques.

Lors du chargement et du déchargement d'autolaveuses motorisées dans des semi-remorques non tractées, des supports peuvent s'avérer nécessaires pour éviter tout renversement ou basculement sur les côtés.

Faire particulièrement attention à ne pas entrer en contact avec des installations aériennes (dispositifs d'éclairage, câbles, tuyaux, extincteurs automatiques, etc.).

Signaler tout incident affectant des membres du personnel, des bâtiments ou du matériel au chef d'équipe ou conformément aux instructions reçues.

Ne pas ajouter d'accessoires à l'appareil ni le modifier de quelque manière que ce soit.

Ne pas stationner à un endroit où l'appareil risque d'entraver les issues de secours, les cages d'escaliers ou les équipements de lutte contre l'incendie.

### Conduite

Respecter le code de la route, y compris les limites de vitesse des chantiers. Dans des conditions de circulation normales, serrer à droite. Maintenir une distance de sécurité avec le véhicule qui précède, en fonction de la vitesse. Garder le contrôle de l'appareil en toutes circonstances. Céder la priorité aux piétons ainsi qu'aux véhicules d'urgence comme les ambulances et les camions de pompiers.

Ne pas dépasser de véhicule circulant dans la même direction au niveau des croisements, des angles morts ou tout autre endroit dangereux.

Ralentir et actionner le ou les avertisseur(s) sonore(s) aux croisements ou chaque fois que la visibilité est limitée.

Traverser les voies ferrées à angle droit lorsque c'est possible. Ne pas garer l'appareil à moins de 1,8 m de la voie ferrée ou du rail le plus proche.

Monter et descendre les côtes lentement et avec prudence. Si possible, éviter de tourner et faire particulièrement attention en côte et sur les rampes où il faut normalement se déplacer en ligne droite.

Veiller à conserver une vue bien dégagée du trajet à emprunter et être attentif à la circulation des autres véhicules, aux déplacements des membres du personnel, ainsi qu'aux espaces de dégagement.

Quelles que soient les conditions de circulation, conserver une vitesse permettant d'arrêter l'appareil en toute sécurité.

Lors du démarrage et de l'arrêt, ainsi que dans les virages et lors des changements de direction, effectuer les manœuvres sans à-coups afin de ne pas renverser le chargement et/ou l'autolaveuse motorisée.

Ne jamais adopter de conduite dangereuse (cascades, acrobaties, etc.).

Ralentir sur les sols mouillés et glissants.

Avant de déplacer l'appareil sur un pont de chargement ou un pont de liaison, s'assurer que celui-ci est correctement sécurisé. Avancer prudemment et lentement sur le pont de chargement ou pont de liaison. Ne jamais dépasser la charge maximale autorisée.

Ne jamais conduire l'autolaveuse motorisée sur un ascenseur, sauf autorisation expresse préalable. Dans ce cas, approcher lentement de l'ascenseur et entrer tout droit lorsque celui-ci est arrêté à niveau. Ensuite, placer les commandes de l'appareil en position neutre, couper le contact et serrer le frein de stationnement. Il est préférable que les membres du personnel éventuellement présents dans l'ascenseur en sortent avant l'entrée ou la sortie de l'autolaveuse motorisée.

Dans les virages, ralentir et adopter une vitesse de sécurité adaptée à l'environnement d'utilisation. Les virages doivent être abordés sans à-coups. Sauf lors de manœuvres à vitesse très réduite, tourner le volant de façon régulière et sans à-coups.

L'utilisation d'une autolaveuse motorisée nécessite des mesures de sécurité particulières, décrites ci-dessous.

- 1 L'utilisateur doit absolument ralentir suffisamment avant de procéder à des virages sous peine de renverser l'autolaveuse motorisée. Les phénomènes suivants indiquent que la vitesse d'un véhicule est trop élevée dans les virages :
  - Dérapages ;
  - basculement du véhicule ;
  - soulèvement des roues ;
  - nécessité de se retenir fermement au volant afin de ne pas glisser du siège.
- 2 Le risque de renversement latéral est accru dans les conditions suivantes (individuelles ou combinées) :
  - conduite sur une surface non plane ;
  - conduite à une vitesse trop élevée.
- 3 Le risque de basculement vers l'avant est accru dans les conditions suivantes (individuelles ou combinées) :
  - Si l'autolaveuse motorisée tombe d'un pont de chargement ou d'une rampe. Dans ce cas, l'utilisateur ne doit pas quitter l'autolaveuse. Il doit se cramponner fermement et s'éloigner du point d'impact.
  - Lorsque l'environnement constitue un danger important ou en cas de conditions d'utilisation inhabituelles. L'utilisateur peut alors recourir à des mesures de sécurité différentes ou supplémentaires et respecter des instructions d'utilisation adaptées aux conditions particulières.

### Entretien de l'appareil par l'utilisateur

Au début de chaque prise de poste et avant chaque utilisation de l'autolaveuse motorisée, vérifier l'état de l'appareil, en inspectant tout particulièrement les éléments suivants :

- état des pneus
- sur les pneumatiques, vérifier la pression de gonflage
- fonctionnement de l'avertisseur et autres dispositifs de sécurité
- dispositifs d'éclairage
- batterie
- commandes
- systèmes d'élévation et de basculement
- chaînes et câbles
- interrupteurs de fin de course
- freins

- mécanisme de direction
- autres éléments ou dispositifs supplémentaires, conformément aux instructions de l'exploitant et/ou du fabricant.

Si le véhicule a besoin d'être réparé ou présente un risque quelconque, l'utilisateur doit le signaler immédiatement à son responsable et ne pas utiliser l'appareil avant résolution du problème.

Si, en cours d'utilisation, le véhicule s'avère dangereux de quelque façon que ce soit, signaler immédiatement le problème au responsable concerné et cesser l'utilisation de l'appareil avant résolution du problème.

Ne pas effectuer de réparations ou réglages à moins d'y être expressément autorisé.

Ne pas éclairer les batteries à l'aide d'une flamme vive pour vérifier le niveau d'électrolyte.

## PROCÉDURES DE MAINTENANCE ET DE REMISE EN ÉTAT

L'utilisation de l'appareil peut devenir dangereuse si la maintenance est négligée ou si la remise en état ou les réglages nécessaires ne sont pas effectués en conformité avec les recommandations du fabricant. Par conséquent, il est nécessaire de prévoir des ateliers de maintenance, à l'intérieur ou l'extérieur des bâtiments, avec du personnel dûment formé, ainsi que d'établir des procédures détaillées.

Il est possible d'obtenir des guides des pièces détachées ainsi que des manuels de maintenance auprès du fabricant de l'autolaveuse.

Dans certains cas rares, non traités par ces manuels de référence, consulter directement le fabricant de l'autolaveuse motorisée. La maintenance et l'inspection de l'appareil doivent être effectuées conformément aux procédures suivantes :

- 1 Les intervalles prescrits pour la maintenance, la lubrification et l'inspection de l'appareil doivent être respectés ; se reporter aux recommandations du fabricant.
- 2 La maintenance, les réparations, les réglages et l'inspection de l'appareil doivent être confiés exclusivement à des personnes formées et habilitées et effectués conformément aux instructions du fabricant.

Soulever l'autolaveuse motorisée de manière stable et sécurisée lorsque cela est nécessaire pour une réparation ou une inspection. Le démontage de composants, tels que les masses d'équilibrage ou les montants, modifie le centre de gravité et risque de créer une instabilité de l'appareil.

Avant de procéder à l'inspection ou à la réparation d'une autolaveuse motorisée :

- 1 soulever les roues motrices du sol et débrancher la batterie. Utiliser des cales de roues ou autre procédé mécanique conçu pour assurer l'immobilisation de véhicules ;
- 2 bloquer le châssis avant toute intervention sur celui-ci ;
- 3 débrancher la batterie avant d'intervenir sur le système électrique ;
- 4 brancher le connecteur du chargeur exclusivement sur le connecteur de la batterie et jamais sur celui de l'appareil.

Le contrôle du fonctionnement de l'autolaveuse motorisée doit être effectué dans une zone autorisée et sécurisée.

- 1 Avant d'utiliser l'autolaveuse motorisée :
  - se mettre en position de service ;

- activer le frein ;
- régler les commandes de direction en position neutre ;
- mettre le commutateur sur ON.
- contrôler le fonctionnement des systèmes d'élévation et de basculement, la direction, l'avertisseur sonore et les freins.

2 Avant de quitter l'autolaveuse motorisée :

- arrêter l'appareil ;
- régler les commandes de direction en position neutre ;
- actionner le frein à main ;
- éteindre le moteur ou arrêter toutes les commandes ;
- arrêter le circuit de commande ;
- si l'appareil doit stationner sur une pente, caler les roues.

Éviter les risques d'incendie et s'assurer que les locaux sont dotés des équipements nécessaires pour la lutte contre l'incendie. Ne jamais éclairer les batteries à l'aide d'une flamme vive pour vérifier le niveau des liquides, en particulier celui de l'électrolyte. Ne jamais utiliser de bacs ouverts contenant du carburant ou des produits de nettoyage inflammables pour nettoyer les composants de l'autolaveuse motorisée.

Ventiler suffisamment la zone de travail, aérer pour évacuer les gaz d'échappement et veiller à ce que l'atelier soit toujours propre et sec.

Inspecter régulièrement les freins, les mécanismes de commande et de direction, les avertisseurs, les dispositifs d'éclairage, les régulateurs, les dispositifs de protection et de sécurité, les butées des axes d'articulation ainsi que les pièces du châssis et les maintenir en parfait état de marche pour qu'ils puissent être utilisés sans danger.

## NORMES DE SÉCURITÉ INCENDIE

Tout appareil dont le fonctionnement représente un risque doit être mis hors service.

Les réparations ne doivent pas être effectuées dans les zones de classe I, II et III.

La batterie doit être débranchée avant toute réparation sur le système électrique d'une autolaveuse.

**Température de service** : Si la température d'un composant de l'autolaveuse motorisée dépasse la température de service normale et, par conséquent, devient source de danger, le véhicule doit être mis hors service et ne pas être réutilisé tant que la source de surchauffe n'a pas été réparée.

**Prévention des incendies** : L'autolaveuse motorisée doit être tenue propre et dans la mesure du possible, protégée des peluches, des déversements d'huile et de la graisse. L'utilisation de produits non inflammables est recommandée pour le nettoyage de l'autolaveuse motorisée. Les liquides inflammables dont le point d'ignition est égal ou supérieur à 37,8 °C (100 °F) ne sont pas autorisés. Prendre les mesures appropriées concernant la toxicité, l'aération, et les risques d'incendie selon le produit ou solvant utilisé.

**Visibilité de la plaque signalétique** : Les données techniques figurant sur la plaque signalétique de l'appareil ne doivent pas être recouvertes de peinture et les informations d'identification doivent rester visibles.

**Remplacement et chargement des batteries** : Cette section concerne les batteries utilisées sur des véhicules électriques. Les deux types de batteries généralement uti-

lisées sont les batteries au plomb et les batteries au ferro-nickel. Elles contiennent des composants chimiques corrosifs (acides ou alcalins) et représentent donc un risque chimique. Lors du chargement, les batteries dégagent de l'hydrogène et de l'oxygène qui, dans certaines conditions peuvent se combiner pour former un mélange explosif. Le chargement des batteries doit être effectué dans des endroits désignés à cet effet, où aucune matière combustible ne doit être stockée.

Des équipements doivent être prévus pour :

- 1 rincer les déversements d'électrolyte ;
- 2 lutter contre l'incendie ;
- 3 protéger le matériel de chargement des endommagements par des véhicules et
- 4 pour assurer une ventilation suffisante afin d'évacuer les fumées produites par les batteries à gaz.

Lorsque des chargeurs embarqués sont utilisés, le chargement doit être effectué dans des endroits prévus à cet effet, en fonction des exigences électriques du chargeur et des équipements pour la lutte contre l'incendie.

*Exception : Des dispositifs de rinçage ne sont pas nécessaires si le chargement est effectué sans retirer la batterie du véhicule.*

Lors de la manipulation de concentrations d'acide supérieures à 50 % (densité au-delà de 1 400), une douche oculaire est indispensable.

Un transporteur, un palan suspendu ou autre équipement de manutention doit être prévu pour la manipulation des batteries. Les appareils de levage à chaîne doivent être équipés de conteneurs à chaînes de levage. Lorsque des appareils de levage manuels sont utilisés, les batteries ouvertes doivent être recouvertes d'une feuille de contreplaqué ou autre matériau non conducteur afin d'éviter les courts-circuits de la chaîne de manœuvre au niveau des pontets de connexion ou des bornes. Un palonnier correctement isolé doit être utilisé avec les palans suspendus. La capacité des batteries rechargées ou batteries neuves doit être égale ou supérieure à celle indiquée sur l'appareil. Installer les batteries rechargées correctement dans l'appareil.

Un vide-tourie ou un siphon devra être prévu dans les locaux où de l'acide en touries est utilisé. Lors de la dilution d'acide sulfurique concentré pour obtenir de l'électrolyte, l'acide doit TOUJOURS être ajouté à l'eau et non l'inverse. Les membres du personnel procédant à la maintenance des batteries doivent porter des vêtements de protection, tels que des verres protecteurs, des manches longues et des gants.

*Exception : Le démontage et le remplacement des batteries ne nécessite pas l'utilisation de vêtements de protection.*

Les installations électriques doivent être conformes au NFPA 70 (code national électrique américain) ainsi qu'aux règlements locaux.

Seules les personnes formées et habilitées sont autorisées à procéder au remplacement et au chargement des batteries.

L'autolaveuse motorisée doit être en position adéquate et les freins doivent être actionnés avant toute tentative de remplacement ou de chargement des batteries.

Lors du chargement des batteries, les capuchons d'évacuation doivent rester en place de façon à éviter toute projection d'électrolyte. Prendre soin de vérifier que les

capuchons d'évacuation fonctionnent. Les caches (ou le compartiment) de batterie doivent être ouverts pour dissiper la chaleur et le gaz.

Il est interdit de fumer dans la zone dédiée au chargement des batteries.

Les mesures nécessaires doivent être prises pour éviter les flammes vives, les étincelles et les arcs électriques dans les zones de chargement des batteries.

Ne jamais poser des outils ou autres objets mécaniques sur des batteries ouvertes.

L'autolaveuse motorisée ne doit pas être utilisée dans les zones classées.

## Service à la clientèle

### Enregistrement

Pour obtenir une réponse à toute question ou de l'aide pour tout problème, votre appareil doit être enregistré. Vous pouvez enregistrer votre appareil **sur [www.karcher-register.com](http://www.karcher-register.com)** s'il est situé aux États-Unis, **sur [www.karcher.ca](http://www.karcher.ca)** s'il est situé au Canada, ou sur **[www.karcher.com/mx](http://www.karcher.com/mx)** s'il est situé au Mexique.

### Garantie

Dans le cas d'une réclamation sous garantie, vous pouvez contacter le service à la clientèle. Veuillez utiliser les coordonnées ci-dessous pour les États-Unis, le Canada ou le Mexique. Vous DEVEZ fournir votre preuve d'achat pour déposer une réclamation sous garantie par courriel, téléphone ou fax.

### Service à la clientèle — États-Unis

Vous pouvez contacter notre service à la clientèle par téléphone, au **1-800-537-4129**, ou par l'intermédiaire du site web **[www.karcher-help.com](http://www.karcher-help.com)**.

### Service à la clientèle — Mexique

Vous pouvez contacter notre service à la clientèle par téléphone, au **01-800-024-13-13**, ou par l'intermédiaire du site web, sous **[www.karcher.com/mx](http://www.karcher.com/mx)**.

### Service à la clientèle — Canada

Vous pouvez contacter notre service à la clientèle par téléphone, au **1-800-465-4980**, ou par l'intermédiaire du site web, sous **[www.karcher.com/ca/support](http://www.karcher.com/ca/support)**.

### Étendue de la livraison

L'étendue de la livraison de l'appareil est indiquée sur l'emballage. Lors du déballage, vérifiez le contenu pour s'assurer qu'il ne manque rien. Si un accessoire est manquant ou en cas de dommage pendant l'expédition, veuillez en aviser le service à la clientèle aux coordonnées susmentionnées, par téléphone ou par l'intermédiaire du site Web.

## Remarques générales



Veuillez lire le présent le manuel d'instructions original et les consignes de sécurité jointes avant la première utilisation de l'appareil. Suivez ces instructions.

Conservez les deux manuels pour une utilisation ultérieure ou pour le propriétaire suivant.

## Fonction

Cette autolaveuse est utilisée pour le nettoyage à l'eau ou le lustrage de sols plats.

Sur la variante Combo, l'appareil ramasse les impuretés non adhérentes par un dispositif de balayage avant le nettoyage.

L'appareil peut être adapté à chaque de tâche de nettoyage en réglant la quantité d'eau, la pression d'appui, la vitesse de rotation de la brosse, la quantité de détergent et la vitesse de conduite.

La largeur de travail de 1000 mm ou 1200 mm et la capacité des réservoirs d'eau douce et d'eau sale de 260 l permet d'obtenir un nettoyage efficace pour une durée de service élevée.

L'appareil est équipé d'un entraînement de traction, le moteur de traction est alimenté par une batterie de traction.

**Pour la variante batterie au plomb :** Les batteries peuvent être chargées à l'aide d'un chargeur branché sur une prise de courant de 230-V.

**Pour la variante batterie Li-Ion :** Les batteries peuvent être chargées à l'aide d'un chargeur branché sur une prise de courant de 400 V.

La batterie et le chargeur sont déjà fournis avec les variantes Package.

## Remarque

L'appareil peut être équipé de différents accessoires en fonction des tâches de nettoyage souhaitées. Demandez notre catalogue ou visitez notre site internet [www.kaercher.com](http://www.kaercher.com).

### Utilisation conforme

Cet appareil convient à un usage commercial et industriel, p. ex. dans les halls logistiques, les usines, les installations industrielles, les parkings, les salons et le commerce de détail. Utilisez cet appareil uniquement suivant les indications dans cette notice d'utilisation.

- Utiliser l'appareil uniquement pour le nettoyage de sols résistants à l'humidité et au polissage.
- L'appareil a été conçu pour le nettoyage de sols à l'intérieur ou dans les surfaces couvertes. Pour d'autres domaines d'application, l'utilisation de brosses alternatives ou l'utilisation du dispositif de balayage doit être vérifiée.
- La plage de températures d'utilisation est comprise entre +5 °C et +40 °C.
- L'appareil n'est pas adapté au nettoyage de sols gelés (p. ex. dans les chambres froides).
- Sur la variante Combo : L'appareil peut franchir des marches de 2 cm au maximum.
- L'appareil ne peut pas être utilisé sans filtre anti-peluches et filtre d'eau sale.
- L'appareil n'est pas conçu pour le nettoyage de voies de circulation publiques.
- L'appareil ne doit pas être utilisé sur des sols sensibles à la pression. Tenir compte de la charge surfacique admissible du sol. La charge surfacique causée par l'appareil est indiquée dans les *Caractéristiques techniques*.
- Équiper l'appareil exclusivement des accessoires et pièces de rechange d'origine.
- L'appareil n'est pas adapté à une utilisation dans des environnements à risque d'explosion.
- L'appareil ne doit pas absorber de gaz inflammables, d'acides non dilués ou de solvants. Il s'agit notamment de l'essence, des diluants pour peinture ou du mazout, qui peuvent former des mélanges explosifs en tourbillonnant avec l'air aspiré. Ne pas mettre en contact non plus avec de l'acétone, des acides dilués ou des solvants, car ces produits attaquent les matériaux utilisés dans l'appareil.

### Protection de l'environnement



Les matériaux d'emballage sont recyclables. Veuillez éliminer les emballages dans le respect de l'environnement.



Les appareils électriques et électroniques contiennent des matériaux précieux recyclables et souvent des composants tels que des piles, batteries ou de l'huile représentant un danger potentiel pour la santé humaine et l'environnement, s'ils ne sont pas manipulés ou éliminés correctement. Ces composants sont cependant nécessaires pour le fonctionnement correct de l'appareil. Les appareils marqués par ce symbole ne doivent pas être jetés dans les ordures ménagères.

### Remarques concernant les matières composantes (REACH)

Les informations actuelles concernant les matières composantes sont disponibles sous : [www.kaercher.de/REACH](http://www.kaercher.de/REACH)

### Garantie

Les conditions de garantie publiées par notre société commerciale compétente s'appliquent dans chaque pays.

Nous remédions gratuitement aux défauts possibles sur votre appareil dans la durée de garantie dans la mesure où la cause du défaut est un vice de matériau ou de fabrication. En cas de garantie, veuillez vous adresser à votre distributeur ou au point de service après-vente autorisé le plus proche avec la facture d'achat.

(Voir l'adresse au dos)

Vous trouverez d'autres informations de garantie (le cas échéant) dans la zone de service de votre site Internet KÄRCHER local sous « Téléchargements ».

### Accessoires et pièces de rechange

Utiliser exclusivement des accessoires et pièces de rechange originaux. Ceux-ci garantissent le fonctionnement sûr et sans défaut de votre appareil.

Des informations sur les accessoires et pièces de rechange sont disponibles sur le site Internet [www.kaercher.com](http://www.kaercher.com).

### Étendue de livraison

Lors du déballage, vérifiez que le contenu de la livraison est complet. Si des accessoires manquent ou en cas de dommage dû au transport, veuillez informer votre distributeur.

### Consignes de sécurité

Avant la première utilisation de l'appareil, veuillez lire et observer le présent manuel d'utilisation et la brochure de consignes de sécurité fournie pour les appareils de nettoyage à brosse n° 5.956-251.0 et agir en conséquence. L'appareil est autorisé pour un fonctionnement sur des surfaces d'une inclinaison limitée (voir le chapitre « Caractéristiques techniques »).

### ⚠ AVERTISSEMENT

#### L'appareil peut basculer

Risque de blessures

N'utilisez l'appareil que sur des surfaces ne dépassant pas l'inclinaison autorisée (voir le chapitre « Caractéristiques techniques »).

### ⚠ AVERTISSEMENT

#### Risque d'accident dû à une commande incorrecte

Des personnes peuvent être blessées.

Les opérateurs doivent être formés convenablement à l'usage de cet appareil.

Utilisez l'appareil uniquement si le capot et tous les couvercles sont fermés.

### Remarques sur la batterie (accumulateur) et le chargeur

La version li-ion contient des batteries au lithium-ion. Celles-ci sont soumises à des critères spécifiques. Le démontage et le montage ainsi que le contrôle des batteries défectueuses ne doivent être réalisés que par le service après-vente de Kärcher ou par un spécialiste.

Votre service après-vente Kärcher vous fournira des indications sur le stockage et le transport.

### **⚠ DANGER**

Les transformations et les modifications de l'appareil ne sont pas autorisées.

Vous ne devez pas ouvrir la batterie, il y a un risque de court-circuit. De plus, des vapeurs irritantes ou des liquides caustiques peuvent s'échapper.

N'exposez pas la batterie au rayonnement intense du soleil, à la chaleur ou au feu. Il existe un risque d'explosion. N'utilisez pas le chargeur dans un environnement présentant un risque d'explosion.

N'utilisez pas le chargeur s'il est encrassé ou mouillé.

Veillez à une ventilation suffisante pendant le cycle de charge.

Risque d'explosion. Ne manipulez pas de flammes, ne générez pas d'étincelles et ne fumez pas à proximité d'une batterie ou d'un espace de charge de batteries.

Risque d'explosion. Ne placez aucun outil ou objet similaire sur la batterie, c'est-à-dire sur les pôles d'extrémité et les connecteurs de cellules.

### **⚠ AVERTISSEMENT**

Avant chaque utilisation, vérifiez que l'appareil et le câble d'alimentation ne sont pas endommagés. N'utilisez plus les appareils endommagés et ne faites réparer les pièces endommagées que par du personnel qualifié.

Tenez les enfants éloignés des batteries et du chargeur.

Ne rechargez pas des batteries endommagées. Faites remplacer les batteries endommagées par le service après-vente de Kärcher.

Ne jetez pas une batterie défectueuse avec les ordures ménagères. Informez le service après-vente de Kärcher. Évitez le contact avec le liquide s'échappant des batteries défectueuses. En cas de contact accidentel, rincez le liquide à l'eau. En cas de contact avec les yeux, consultez en outre un médecin.

### **⚠ PRÉCAUTION**

Respectez impérativement ce manuel d'utilisation. Observez les recommandations du législateur en relation avec les batteries.

La tension du secteur doit correspondre à la tension indiquée sur la plaque signalétique de l'appareil.

N'utiliser le chargeur que pour charger les blocs-batteries autorisés.

N'utilisez la batterie qu'avec cet appareil. Il est interdit et dangereux de l'utiliser à d'autres fins.

### Dispositifs de sécurité

### **⚠ AVERTISSEMENT**

#### Risque de blessures !

Blessures graves dues à l'absence, à la modification ou à l'inefficacité des dispositifs de sécurité.

Ne contournez pas ou n'enlevez pas les dispositifs de sécurité et ne les rendez pas inefficaces. Les dispositifs de sécurité servent à vous protéger.

#### Protection thermique

Pour une mise hors service immédiate de toutes les fonctions : mettre l'interrupteur de sécurité en position « 0 ».

- L'appareil freine fortement lorsque l'interrupteur de sécurité est désactivé.
- L'interrupteur de sécurité agit directement sur toutes les fonctions de l'appareil.

#### Interrupteur de siège

Si l'opérateur quitte le siège pendant le travail ou pendant la conduite, l'interrupteur du siège coupe le moteur de traction après une brève temporisation.

### Symboles d'avertissements

Respecter les avertissements suivants lors de la manipulation de batteries :

	Observer les remarques dans le manuel d'utilisation de la batterie et sur la batterie ainsi que dans ce manuel d'utilisation.
	Porter une protection oculaire.
	Tenir les enfants éloignés d'acides et de batteries.
	Risque d'explosion
	Le feu, les étincelles, les flammes nues et fumer sont interdits.
	Risque de brûlure chimique
	Premiers secours.
	Avertissement
	Élimination
	Ne pas jeter les batteries usagées avec les déchets ménagers.

## ⚠ DANGER

### Risque de blessures dues à la chaleur et à l'explosion en cas de court-circuit des batteries !

En cas de court-circuit des batteries, des courants très élevés peuvent circuler, lesquels peuvent fortement échauffer des objets et provoquer des incendies. La chaleur et la formation d'étincelles peuvent déclencher des explosions. Ne pas court-circuiter les batteries. Ne pas déposer d'objets sur les batteries.

Ne pas porter d'objets conducteurs d'électricité (p. ex. bijoux, montres, chaînes) sur le corps ou dans ou sur les vêtements.

Utiliser uniquement des outils isolés.

## ⚠ DANGER

### Risque de blessures !

Ne jamais mettre les plaies en contact avec le plomb. Se nettoyer toujours les mains après avoir travaillé sur les batteries.

### Symboles sur le chargeur



## ⚠ DANGER

### Risque d'incendie

Lors du raccordement à une prise de courant à un contact électrique entre la fiche et la prise de courant, la fiche du chargeur et la prise de courant utilisés peuvent devenir très chauds.

Vérifier, avant de brancher la fiche secteur que la prise de courant est homologuée pour un courant de 16 A et se trouve en parfait état technique.

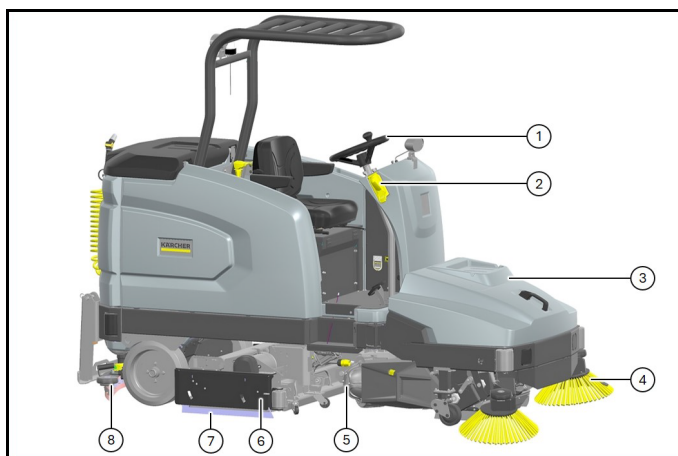
Vérifier la propreté et le bon état de la fiche secteur.

## ⚠ PRECAUTION

N'utilisez pas l'appareil conjointement avec d'autres appareils sur des câbles de rallonge équipés de prises multiples.

### Description de l'appareil

#### Aperçu de l'appareil façade

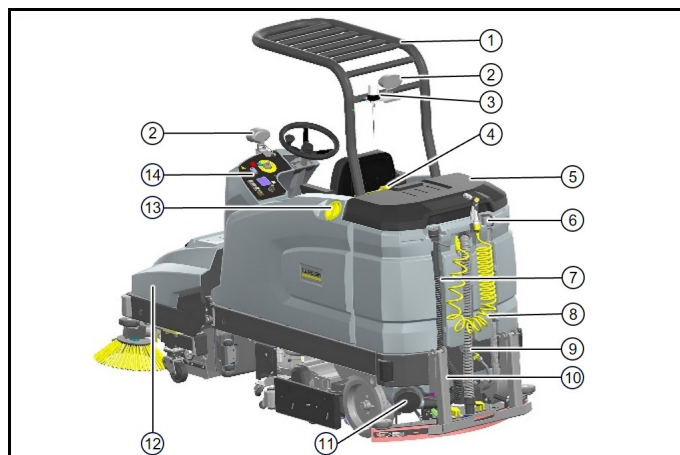


- ① Volant
- ② Remplissage automatique du réservoir d'eau propre
- ③ Unité de balayage préliminaire\*\*\*
- ④ Balai latéral\*

- ⑤ Moteur de traction
- ⑥ Support de la lèvre de raclage
- ⑦ Joint racleur
- ⑧ Suceur

\*\*\* Variante Combo uniquement

#### Aperçu de l'appareil à l'arrière

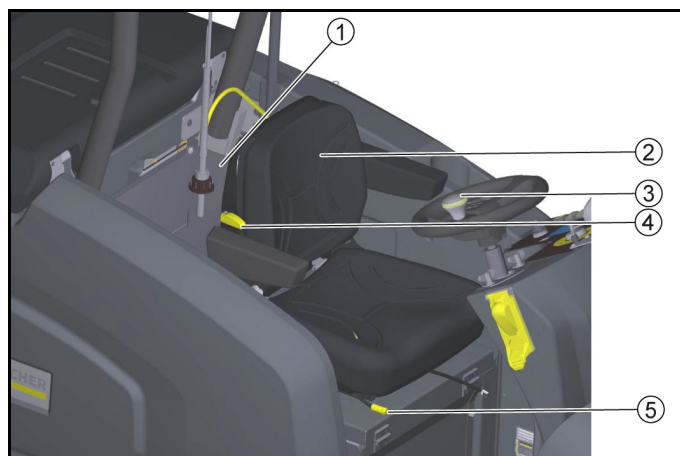


- ① Toit de protection\*
- ② Spot bleu arrière/avant\*
- ③ Gyrophare\*
- ④ Lance de pulvérisation d'aspiration pour DOSE Dosage de détergent\*
- ⑤ Couvercle du bac d'eau sale
- ⑥ Flexible de vidange de l'eau propre
- ⑦ Flexible de vidange de l'eau sale
- ⑧ Nettoyage manuel du réservoir - Pistolet de pulvérisation
- ⑨ Tuyau d'aspiration
- ⑩ Protection anti-collision de la barre d'aspiration\*
- ⑪ Ouverture de révision du réservoir d'eau sale
- ⑫ Unité de balayage préliminaire\*\*\*
- ⑬ Couvercle eau propre
- ⑭ Pupitre de commande

\* En option

\*\*\* Variante Combo uniquement

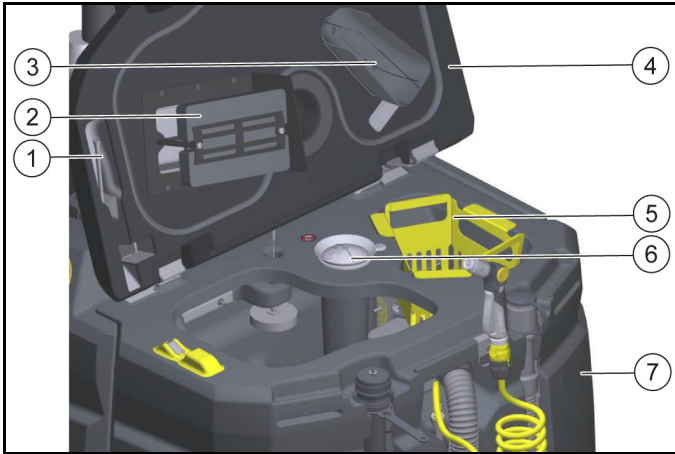
#### Aperçu de l'appareil Siège



- ① Bac Détergent pour DOSE Dosage du détergent\*
- ② Siège
- ③ Bouton de volant
- ④ Levier de réglage du poids
- ⑤ Levier de réglage de la longueur du siège

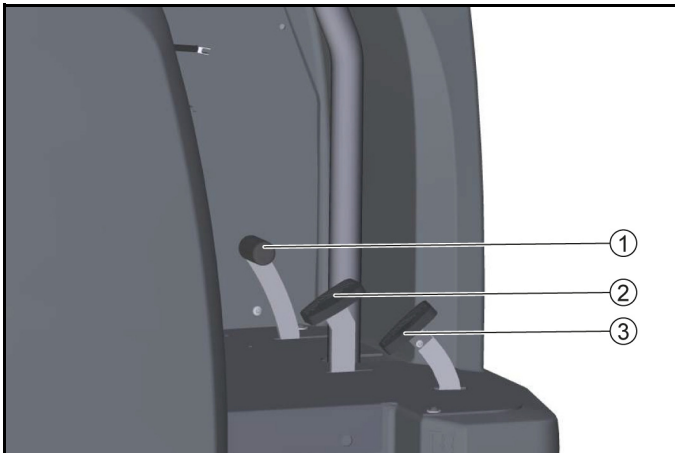
\* En option

### Aperçu de l'appareil réservoir d'eau sale



- ① Support pour réservoir d'eau sale
- ② Flotteur
- ③ Protection contre les chocs eau sale
- ④ Couvercle du bac d'eau sale
- ⑤ Panier impuretés grossières
- ⑥ Préfiltre turbine
- ⑦ Bac d'eau sale

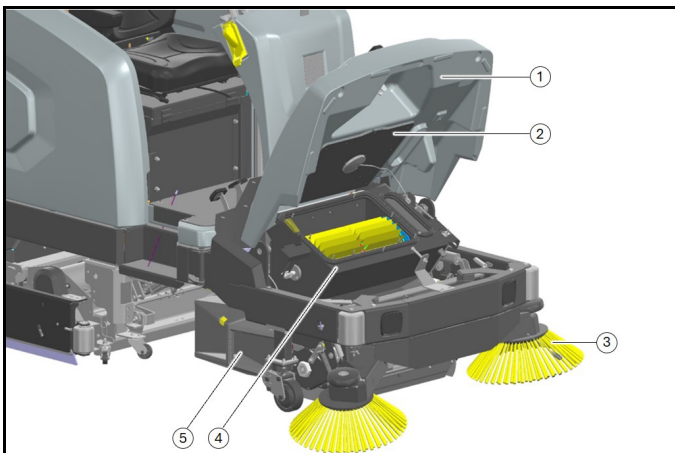
### Aperçu de l'appareil Pédales



- ① Pédale du flap pour déchets volumineux\*\*\*
- ② Pédale de freinage
- ③ Pédale d'accélération

\*\*\* Variante Combo uniquement

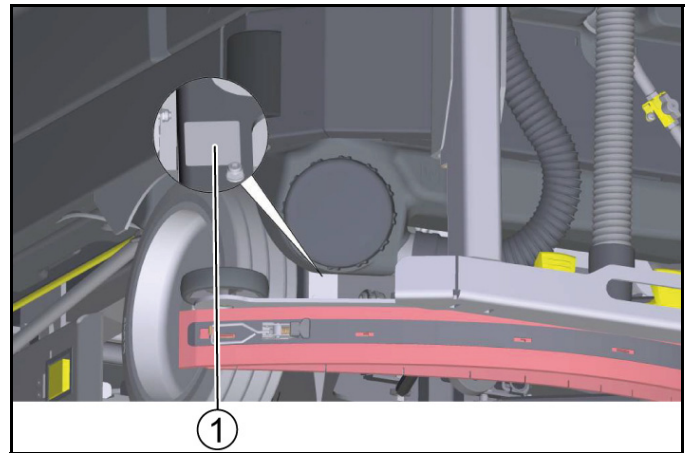
### Aperçu de l'appareil Unité de pré-balayage (variante Combo uniquement)



- ① Capot de l'unité de pré-balayage
- ② Cache du corps de filtre
- ③ Balais latéraux
- ④ Corps de filtre

- ⑤ Cuve à balayures

### Plaque signalétique

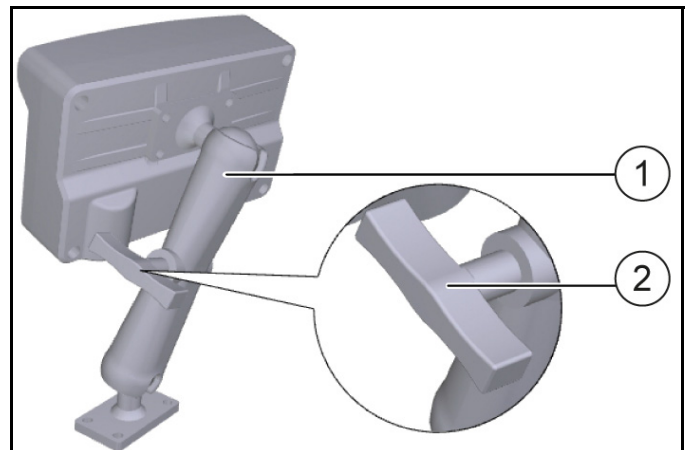


- ① Plaque signalétique

### Écran LCD batterie (variante Li-Ion uniquement)

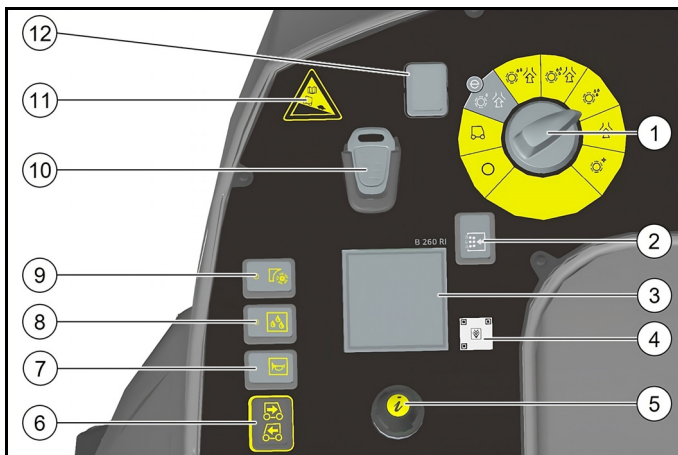


- ① Écran



- ① Bras à rotule
- ② Vis à oreilles

## Tableau de commande

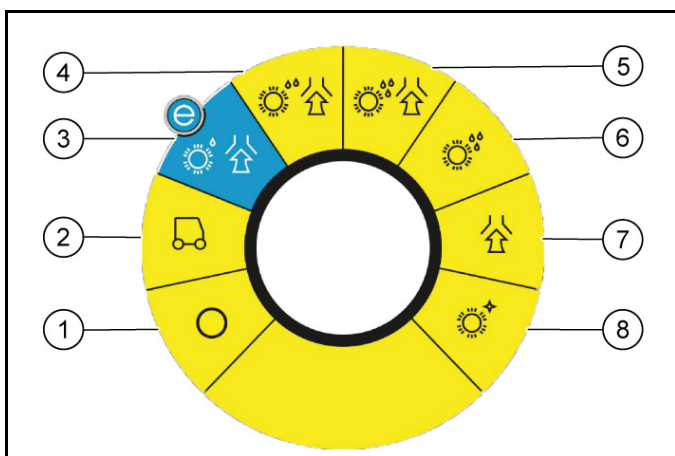


- ① Programmateur
- ② Nettoyage du filtre activé MARCHE/ARRÊT\*\*\*
- ③ Écran
- ④ Code QR pour la vidéo How-to
- ⑤ Bouton d'information pour le guidage par menu sur l'écran
- ⑥ Interrupteur du sens de la marche
- ⑦ Klaxon à 2 niveaux
- ⑧ Solution de nettoyage MARCHE/ARRÊT
- ⑨ Balai latéral/brosse latérale/Combo MARCHE/ARRÊT\*
- ⑩ Clé intelligente
- ⑪ Pente maximale admissible
- ⑫ Interrupteur de sécurité

\* En option






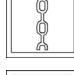

\*\*\* Variante Combo uniquement

## Programmateur












- ① 0  
L'appareil est hors tension.
- ② **Course de transport**  
Conduire l'appareil sur le lieu d'intervention.
- ③ **Programme Éco**  
Nettoyer le sol à l'eau (avec un volume d'eau et une vitesse de rotation de la brosse réduits) et aspirer l'eau sale (avec une puissance d'aspiration réduite).
- ④ **Autolavage**  
Nettoyer le sol à l'eau et aspirer l'eau sale.
- ⑤ **Augmentation de la pression d'appui au sol de la brosse**  
Nettoyer le sol à l'eau (avec une pression d'appui au sol de la brosse et une quantité d'eau accrues) et aspirer l'eau sale.
- ⑥ **Récirage/placement sans aspiration**  
Nettoyer le sol à l'eau et laisser agir le détergent.
- ⑦ **Aspiration**  
Aspirer l'eau sale.
- ⑧ **Lustrage**  
Lustrer le sol avec une vitesse de rotation de la brosse élevée sans appliquer de liquide.

## Symboles sur l'appareil

-  Vidange d'eau propre
-  Vidange d'eau sale
-  Eau propre
-  Remplissage automatique du réservoir d'eau propre
-  Retirer le panier impuretés grossières
-  Point d'arrimage
-  Poids maximal du capot (variante Combo uniquement)

## Pictogrammes sur l'écran

-  Batterie pleine
-  Batterie vide
-  Frein activé
-  Dispositif d'anticipation activé
-  Alimentation en eau coupée
-  Détergent activé
-  Détergent vide
-  Eau du robinet 100 %.
-  Eau du robinet 0 %.

## Montage

### Batteries

#### Batteries, chargeurs recommandés

	Référence
Jeu de batteries (humides) 36V/630Ah	2.815-108.0
Chargeur	4.035-191.0
Volume (m3)*	71,78
Flux d'air (m3/h)**	27,71
	Référence
Jeu de batteries (Li-Ion) 36V/525Ah	2.654-000.0
Chargeur	6.654-543.0

\* Volume minimal de la pièce de chargement des batteries

\*\* Flux d'air minimal entre la pièce de chargement des batteries et l'environnement

Les batteries et chargeurs sont disponibles dans les magasins spécialisés.

#### Dimensions maximales de la batterie

Longueur	Largeur	Hauteur
842	627 mm	537 mm

Lors de la mise en place des batteries humides, prendre en compte ce qui suit :

- Les dimensions maximales de la batterie doivent être respectées.
- Lors de la charge de batteries humides, le siège doit être basculé vers le haut.
- Lors de la charge de batteries humides, les prescriptions du fabricant de batteries doivent être respectées.

#### Insérer et raccorder les batteries

Sur la version Bp, les batteries sont déjà intégrées. Si vous n'avez pas reçu de variante Bp, les batteries ont été mises à niveau dans la société nationale ou chez votre revendeur de confiance. Cela peut être dû à des raisons de disponibilité, de temps, de coût, d'importation, de service, de transport ou des raisons similaires à votre avantage.

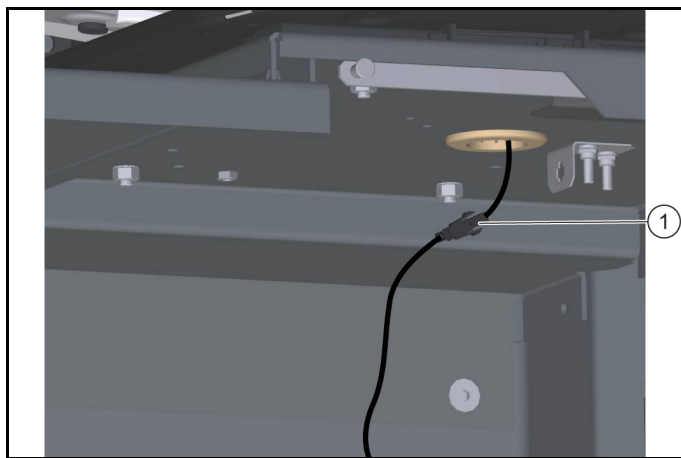
## ATTENTION

### Risque d'endommager l'électronique de commande !

L'électronique de commande peut être détruite en inversant la polarité des connexions de la batterie.

Respectez la polarité lorsque vous raccordez la batterie.

1. Régler la position du volant complètement vers l'avant.
2. Faire pivoter le siège vers l'avant.
3. Retirer la vis de la butée de siège.
4. Débrancher la fiche de l'interrupteur de contact de siège et la repousser à travers l'ouverture.



- ① Fiche interrupteur de contact de siège
5. Déverrouiller le siège et le tirer vers le haut.
6. Démonter la fiche de l'interrupteur de contact de siège du support.
7. Décrocher le support de la console de siège et fermer la console de siège.
8. Dévisser les charnières de la console de siège.
9. Déposer la console de siège dans l'espace pour les pieds.
10. Sur la variante DOSE : Démonter le bac pour le bidon de détergent.
11. Sur la variante Fleet : Démonter les câbles.
12. Soulever le cache de la batterie.
13. Démonter le réservoir d'eau propre à droite.
14. Démonter la tôle latérale du coffret de batterie à droite.

15. Insérer la batterie. Liaisons de la batterie à l'avant dans le sens de la marche.

## Remarque

Uniquement pour les batteries humides :

16. Brancher le câble de liaison sur les pôles (+) et (-) encore libres de la batterie. Poser le câble de manière à ce qu'il ne puisse pas être coincé par le siège.

## Remarque

La batterie Li-Ion est livrée avec le connecteur connecté.

17. Sur la variante Fleet : Monter les câbles.
18. Monter la tôle latérale du coffre à batterie à droite.
19. Monter le réservoir d'eau propre à droite.
20. Poser le cache de la batterie.
21. Brancher la fiche de la batterie.
22. Poser la console de siège.
23. Visser les charnières de la console de siège.
24. Ouvrir la console de siège et accrocher le support pour la console de siège.
25. Monter la fiche de l'interrupteur de contact de siège sur le support.
26. Insérer le siège.
27. Brancher la fiche de l'interrupteur de contact de siège.
28. Monter la vis de la butée de siège.
29. Faire pivoter le siège vers le bas.
30. Régler le volant.

## ⚠ AVERTISSEMENT

### Danger de mort par incendie ou explosion si les batteries sont en décharge profonde !

Un incendie peut se produire en cas de recharge incorrecte de batteries en décharge profonde.

Ne pas utiliser l'appareil si la batterie est en décharge profonde.

Avant de mettre le système en service, s'assurer que la batterie est chargée.

#### Chargement de la batterie

## Remarque

L'appareil dispose d'une protection contre les décharges profondes. C'est-à-dire que pour les batteries plomb-acide, si la capacité minimale encore autorisée est atteinte, l'appareil ne peut plus que fonctionner. L'affichage « Batterie vide - veuillez charger » apparaît à l'écran. Pour les appareils équipés de batteries Li-Ion, le mode de nettoyage n'est pas limité.

En cas d'utilisation d'autres batteries (par ex. d'autres fabricants), le service après-vente Kärcher doit procéder à un nouveau réglage de la protection contre les décharges profondes pour la batterie concernée.

## ⚠ DANGER

### Danger de mort dû à une décharge électrique !

Une mauvaise utilisation du chargeur peut entraîner un risque de choc électrique

Respectez la tension du secteur et le fusible sur la plaque signalétique de l'appareil.

N'utiliser le chargeur que dans les pièces sèches et suffisamment aérées.

### Risque d'explosion lors du chargement de la batterie !

La charge de la batterie entraîne la formation de gaz inflammables

Ne chargez les batteries que dans un local approprié. Le local doit avoir un volume minimal en fonction du type de

batterie et un renouvellement d'air avec un débit d'air minimal (voir « Batteries recommandées »).

Charger les batteries humides uniquement si le siège est relevé.

## Remarque

Dans le cas d'un appareil équipé d'une batterie Li-Ion, ce n'est pas l'appareil qui s'éteint lorsque le niveau de charge est trop faible, mais la batterie. À partir d'un niveau de charge de <15%, <10% et <5%, le système émet en outre des signaux acoustiques d'intensité croissante.

## Remarque

- Le temps de charge des batteries humides est en moyenne d'environ 10-12 heures.
- Le temps de charge pour les batteries Li-Ion est en moyenne d'environ 3 heures.

Les chargeurs recommandés (adaptés aux batteries utilisées) disposent d'une régulation électronique et terminent d'eux-mêmes le cycle de charge.

Ne pas utiliser l'appareil pendant le processus de charge.

1. Déplacer l'appareil directement jusqu'au chargeur en évitant les pentes.
2. Faire pivoter le siège vers le haut.
3. Connecter le câble de recharge à la batterie.
  - a **Pour la variante batterie au plomb** : Débrancher la fiche de la batterie et le connecter au câble de charge.
  - b **Pour la variante batterie Li-Ion** : Relier le câble du chargeur à la batterie via le connecteur séparé.
4. Brancher le chargeur sur le secteur et le mettre en marche.

### Après le chargement

1. **Batterie au plomb** :
  - a Éteindre le chargeur et le débrancher.
  - b Débrancher le câble de la batterie du câble de charge et le relier à l'appareil.

## Remarque

Poser le câble de charge dans le compartiment de la batterie de manière à ce qu'il ne puisse pas être coincé.

2. **Batterie li-ion** :
  - a Débrancher le connecteur du chargeur.

## Remarque

Le connecteur reliant la batterie Li-Ion à l'appareil reste connecté pendant la charge.

### Batteries sans maintenance (batteries à entretien)

## ⚠ DANGER

### Remplir en eau lorsque la batterie est déchargée

Risque de brûlure dû à une fuite d'acide, destruction des vêtements

Utiliser des lunettes de protection, des vêtements de protection et des gants de protection lors de la manipulation d'acide de batterie.

Respecter les consignes.

Rincer immédiatement avec beaucoup d'eau les éventuelles projections d'acide sur la peau ou les vêtements.

## ATTENTION

### Risque d'endommager les batteries !

L'utilisation d'eau avec des additifs entraîne la perte de la garantie de la batterie.

Pour remplir les batteries, utilisez uniquement de l'eau distillée ou de l'eau déssalinisée (EN 50272-T3).

Ne pas utiliser d'additifs étrangers ou d'agents améliorants.

1. Ajouter de l'eau distillée une heure avant la fin du processus de charge. Ce faisant, observer le niveau d'acide sur le repère de la batterie.  
Toutes les cellules doivent expulser du gaz à la fin du processus de charge.
2. Après le chargement complet, vérifier l'eau et faire l'appoint. L'eau évaporée est consommée par électrolyse pendant la charge.
3. Retirer l'eau renversée. Pour ce faire, procéder comme décrit dans le chapitre « Entretien et maintenance » au paragraphe « Nettoyage des batteries ».

### Indicateur de batterie

#### Variante batterie humide :

L'état de charge de la batterie est affiché sur l'écran du pupitre de commande.

- La longueur de la barre indique le niveau de charge de la batterie.

#### Variante batterie Li-Ion :

L'état de charge des batteries est affiché sur l'écran séparé du système de batteries.

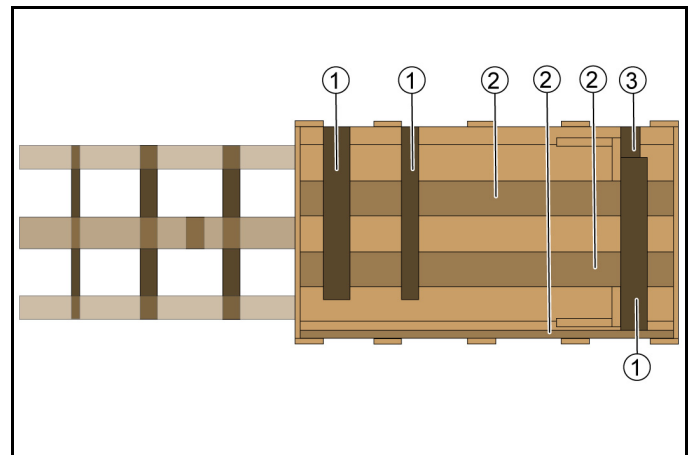
- Le pourcentage SoC (State of Charge) indique l'état de charge.

### Déballage

## Remarque

Pour une mise hors service immédiate de toutes les fonctions, tourner l'interrupteur de sécurité en position « 0 ».

1. Retirer le film d'emballage.
2. Retirer la bande de serrage.
3. Dévisser les planches et les bois de la palette.



① Bois

② Planche

③ Cale

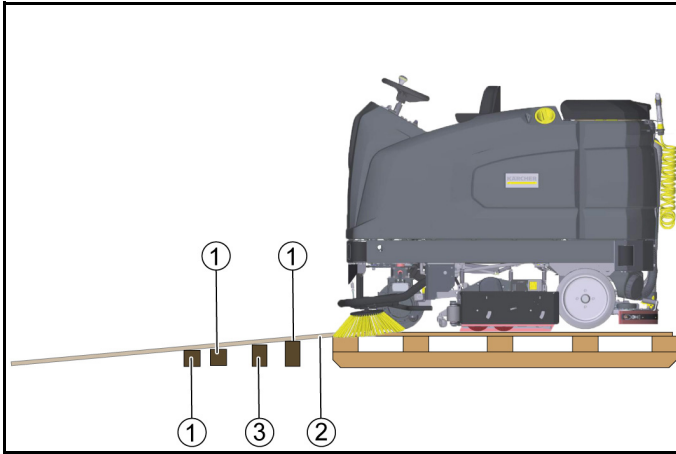
4. Placer les bois devant la palette.

5. Poser les planches sur les bois.

6. Visser les planches.

7. Faire glisser le bloc d'appui fourni dans l'emballage sous la rampe.

8. Retirer les baguettes de bois devant les roues.



- ① Bois
- ② Planche
- ③ Cale

9. Pousser l'appareil de la palette.

#### Pousser l'appareil hors de la palette

### Remarque

Ne monter la barre d'aspiration qu'après le déchargement.

1. Desserrer le frein de stationnement à l'aide du levier (voir chapitre *Pousser l'appareil*).
2. Une personne doit prendre place sur le siège et, en cas de danger, appuyer sur la pédale de frein pendant la poussée.
3. Faire descendre l'appareil de la palette par la rampe.
4. Serrer le frein de stationnement à l'aide du levier.

#### Sortir de la palette

Pour sortir de la palette, les batteries doivent être installées et chargées.

### Remarque

Ne monter la barre d'aspiration qu'après le déchargement.

1. Insérer la clé intelligente sur le pupitre de commande.
2. Mettre l'appareil en marche à l'aide de l'interrupteur Easy-Operation.
3. Régler le programmateur sur course de transport.
4. Mettre le commutateur de sens de la marche sur avance.
5. Appuyer sur la pédale d'accélérateur.
6. Pousser l'appareil lentement de la palette.
7. Éteindre l'appareil à l'aide de l'interrupteur Easy-Operation.

#### Montage des brosses

##### Variante BD

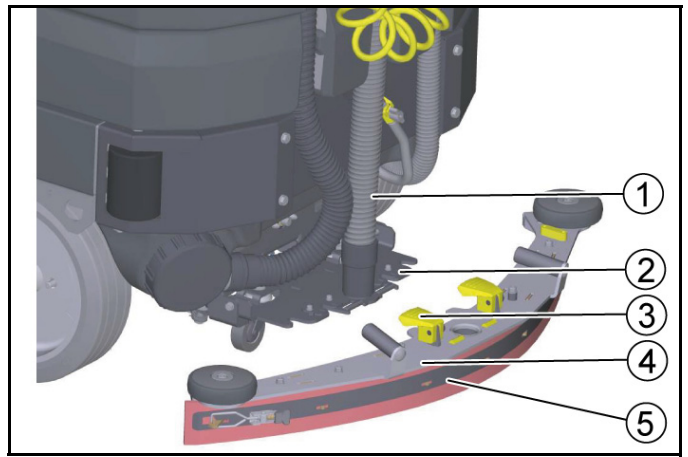
Les disques brosses doivent être montés avant la mise en service (voir chapitre *Travaux de maintenance*).

##### Variante BR

Les brosses sont montées.

#### Montage de la barre d'aspiration

1. Faire pivoter les deux leviers de serrage vers le haut.



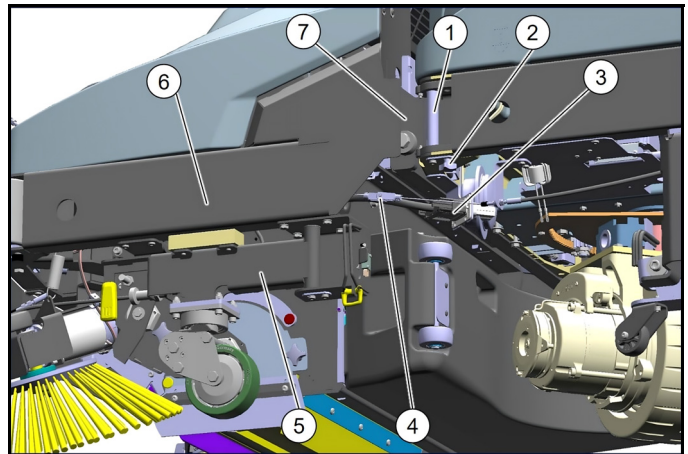
- ① Tuyau d'aspiration
  - ② Suspension pour barre d'aspiration
  - ③ Levier de blocage
  - ④ Suceur
  - ⑤ Lèvre d'aspiration avec bande de serrage
2. Accrocher la barre d'aspiration dans la suspension pour la barre d'aspiration.
  3. Faire pivoter les deux leviers de serrage vers le bas.

#### Montage de l'unité de balayage préliminaire

### Remarque

La machine de base doit être préparée pour le montage de l'unité de balayage préliminaire.

1. Éteindre la machine, voir *Terminer l'utilisation*.
2. Positionner l'unité de balayage préliminaire devant l'appareil.



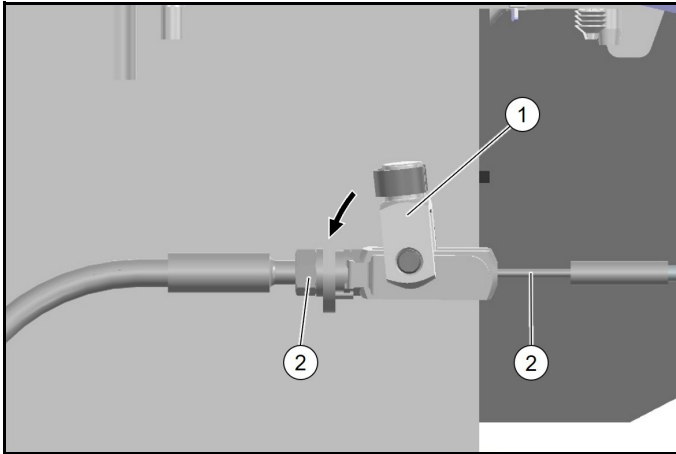
- ① Goujon de fixation
  - ② Poignée-étoile
  - ③ Fiche principale
  - ④ Câble Bowden avec le grappin de sûreté
  - ⑤ Roue de support
  - ⑥ Unité de balayage préliminaire
  - ⑦ Connexion
3. Soulever légèrement l'attache de l'unité de balayage préliminaire et la faire glisser dans son logement.

### ⚠ AVERTISSEMENT

**Risque de blessures et d'endommagement dus à la machine en roulement !**

Une machine non sécurisée peut rouler involontairement lors de l'accrochage, surtout dans les pentes. Sécuriser la machine pour éviter qu'elle ne se mette à rouler, surtout lorsque la roue latérale est pivotée.

4. Monter les goujons de fixation. En faisant pivoter la roue latérale vers l'intérieur, le montage des goujons peut être simplifié.
5. Visser et serrer les poignées-étoiles.

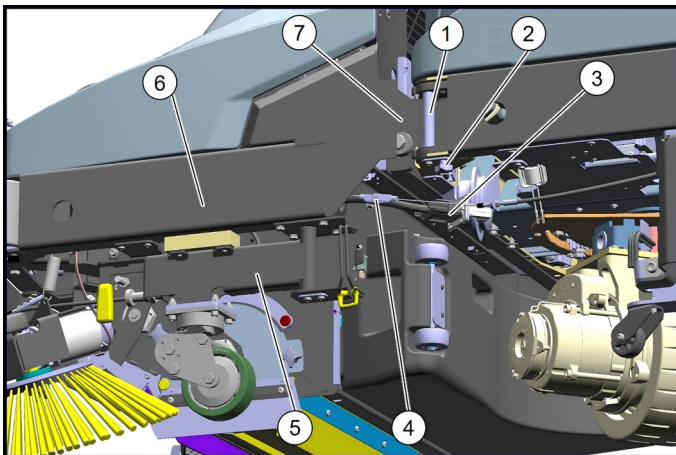


- ① Pince de blocage
- ② Câbles Bowden

6. Relier les câbles Bowden à la pince de sécurité. Pour ce faire, faire pivoter la pince de sécurité vers l'avant et l'enclencher.
7. Connecter le connecteur principal à l'unité de balayage préliminaire.
8. Raccorder le raccord de tuyau (uniquement pour l'option buse de pulvérisation).
9. Relever la roue d'appui avant. Pour cela, tirer la poignée-étoile sur le côté et faire pivoter la roue vers le haut jusqu'à ce qu'elle s'enclenche.

### Démontage de l'unité de balayage préliminaire

1. Éteindre la machine, voir chapitre *Éteindre l'appareil*.
2. Débrancher le raccord de tuyau (uniquement pour l'option buse de pulvérisation).



- ① Goujon de fixation
- ② Poignée-étoile
- ③ Fiche principale
- ④ Câble Bowden avec le grappin de sûreté
- ⑤ Roue de support
- ⑥ Unité de balayage préliminaire
- ⑦ Connexion

3. Débrancher le connecteur principal de l'unité de balayage préliminaire.
4. Ouvrir la pince de sécurité des câbles Bowden et retirer la pince de sécurité.
5. Déplier la roue d'appui avant.
6. Dévisser les poignées-étoiles.
7. Démontez les goujons de fixation.

8. Tirer le goujon d'arrêt vers l'avant, déplier la roue d'appui latérale de l'unité de balayage préliminaire et la bloquer avec la bande élastique.
9. Pousser l'unité de balayage préliminaire vers l'avant du logement.

### Fonctionnement

## ⚠ DANGER

### Chute d'objets

Risque de blessures

Ne pas utiliser l'appareil sans toit de protection contre les chutes d'objets dans des zones où il existe un risque que le personnel de service soit touché par des chutes d'objets.

## ATTENTION

### Situation à risque pendant le fonctionnement

Risque de blessures

En cas de danger, mettez l'interrupteur de sécurité en position « 0 ».

### Démarrage de l'appareil

1. Prendre place sur le siège du conducteur.
2. Insérer la clé intelligente.
3. **Uniquement pour batterie Li-Ion** : Appuyer sur le bouton marche/arrêt situé sur le bord inférieur de l'écran séparé.
4. Mettre l'interrupteur de sécurité en position « 1 ».
5. Tourner le programmateur sur la fonction souhaitée.
6. Si l'un des affichages ci-dessous apparaît à l'écran, retirer le pied de la pédale d'accélération, positionner l'interrupteur de sécurité sur « 0 » et procéder aux travaux de maintenance nécessaires.

Écran	Action
Maintenance du suceur	Nettoyer le suceur.
Maintenance du sabot	Vérifier l'usure des brosses et les nettoyer.
Maintenance de la lèvre d'aspiration	Vérifier l'usure et le réglage des lèvres d'aspiration.
Maintenance du tamis de la turbine	Nettoyer le tamis de turbine.
Maintenance du filtre	Nettoyer le filtre d'eau propre.

7. Appuyer sur le bouton Info.
8. Réinitialiser le compteur pour la maintenance correspondante (voir « Clé intelligente grise/Réinitialisation du compteur de maintenance »).

## Remarque

Si le compteur n'est pas réinitialisé, l'affichage de maintenance réapparaît à chaque mise sous tension de l'appareil.

### Vérification du frein de stationnement

## ⚠ DANGER

### Danger de mort en raison d'un frein de stationnement défectueux !

L'appareil peut rouler de manière incontrôlée si le frein de stationnement ne fonctionne pas correctement.

Avant chaque utilisation, vérifiez le fonctionnement du frein de stationnement sur une surface plane.

1. Démarrer l'appareil.

2. Mettre le commutateur de sens de la marche sur « avance ».
3. Régler le programmeur sur course de transport.
4. Appuyer légèrement sur la pédale d'accélération.  
Le frein doit se déverrouiller de manière audible. L'appareil doit se mettre à rouler légèrement sur la surface plane.
5. Relâcher la pédale d'accélération.  
Le frein doit être verrouillé de manière audible.

Si le frein de stationnement ne se verrouille pas, mettre l'appareil hors service, le sécuriser contre tout déplacement incontrôlé et contacter le service après-vente.

#### Vérifier le frein à pied

### **⚠ DANGER**

#### Risque d'accident en raison d'un frein à pied défectueux !

L'appareil peut rouler de manière incontrôlée si le frein à pied ne fonctionne pas correctement.

Avant chaque utilisation, vérifier le fonctionnement du frein à pied.

1. Démarrer l'appareil.
2. Mettre le commutateur de sens de la marche sur « avance ».
3. Régler le programmeur sur course de transport.
4. Appuyer sur l'accélérateur.
5. Pendant la conduite, retirer le pied de la pédale d'accélération et actionner le frein à pied.  
L'appareil doit ralentir sensiblement.

Si ce n'est pas le cas, mettre l'appareil hors service et appeler le service après-vente.

#### Conduite

### **⚠ DANGER**

#### Absence de freinage

Risque d'accident

Avant d'utiliser l'appareil, vérifiez impérativement le fonctionnement du frein de stationnement. N'utilisez en aucun cas l'appareil si le frein de stationnement ne fonctionne pas.

### **⚠ DANGER**

#### Absence de freinage pendant le fonctionnement

Si l'appareil ne freine plus pendant le fonctionnement, procéder comme suit :

Si l'appareil ne s'arrête pas sur une rampe avec une pente de plus de 2 % lors du relâchement de la pédale d'accélérateur, il n'est possible de mettre l'interrupteur de sécurité en position « 0 » pour des raisons de sécurité qu'après vérification du bon fonctionnement mécanique du frein de stationnement avant de démarrer l'appareil.

Une fois à l'arrêt, mettre l'appareil hors service et appelez le service client.

Respecter les consignes de maintenance des freins.

### **⚠ DANGER**

#### Conduite imprudente

Risque de basculement

Dans le sens de la marche, n'emprunter que des inclinaisons de 15 % maximum (variante RI) et de 10 % maximum (variante RI Combo). Inclinaisons perpendiculaires au sens de la marche jusqu'à un maximum de 15 %.

Ne tournez pas dans des inclinaisons ou des pentes.

Conduisez lentement dans les virages et sur sol mouillé.

Ne conduisez l'appareil que sur une base consolidée.

#### Dispositif de balayage pivotant sur la variante Combo

Risque d'accident accru

Être particulièrement prudent lorsque de la conduite en marche arrière.

Lors des mouvements de direction, tenir compte du pivotement du dispositif de balayage.

### Remarque

Il est possible de modifier le sens de la marche pendant la conduite. Il est possible, p.ex., de polir des taches très ternes peuvent à l'aide de plusieurs déplacements d'avant en arrière.

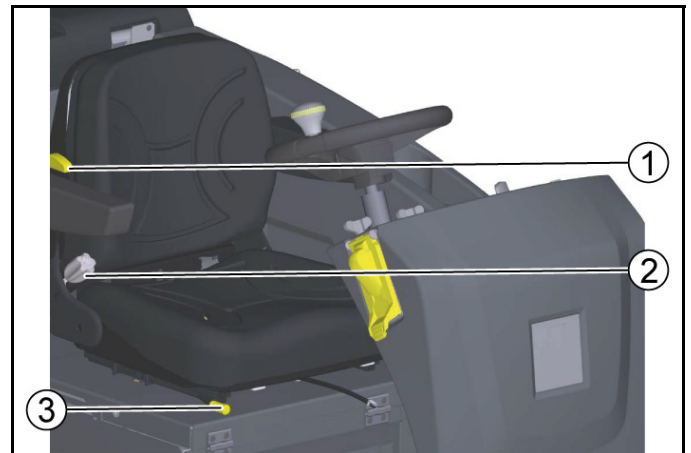
1. Prendre la position assise.
2. Insérer la clé intelligente.
3. Régler le programmeur sur « Course de transport ».
4. Régler le sens de la marche avec le commutateur de sens de la marche sur le pupitre de commande.
5. Déterminer la vitesse de conduite en actionnant la pédale d'accélération.
6. Relâcher la pédale d'accélération.  
L'appareil s'arrête.

Le moteur de traction est coupé en cas de surcharge. Un message d'erreur apparaît à l'écran. Si la commande surchauffe, l'unité d'entraînement concernée est coupée.

7. Laisser refroidir l'appareil pendant au moins 15 minutes.

8. Régler le programmeur sur « 0 », attendre brièvement et le régler sur le programme souhaité.

#### Réglage du siège du conducteur



- ① Réglage du poids à 3 niveaux 60-120 Kg
  - ② Réglage de l'inclinaison du dossier de 3° vers l'avant et de 13° vers l'arrière
  - ③ Réglage de la longueur d'assise
1. Actionner le levier de réglage du siège.
  2. Déplacer le siège dans la position souhaitée.
  3. Relâcher le levier de réglage du siège.

#### Régler le volant

1. Desserrer les écrous papillon pour régler le volant.
2. Positionner le volant.
3. Serrer les écrous papillon.

#### Vérifier le filtre anti-peluches

### ATTENTION

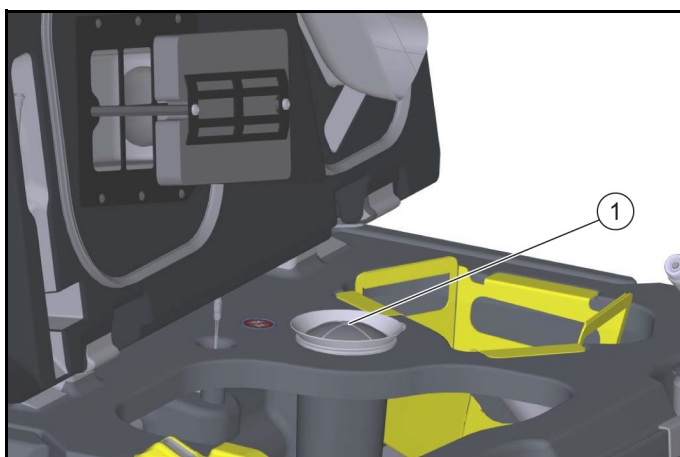
#### Endommagement des turbines d'aspiration !

Le fonctionnement sans filtre anti-peluches peut endommager la turbine d'aspiration.

Ne pas utiliser l'appareil sans le filtre anti-peluches.

1. Avant d'utiliser l'appareil, le filtre à peluches doit être vérifié pour les points suivants :

- Est-il présent ?
- Est-il en bon état pour l'utilisation ?
- Est-il correctement monté ?



- ① Filtre anti-peluches
2. Remplacer tout filtre anti-peluches endommagé.

### Pousser l'appareil

1. Desserrer le frein de stationnement en tirant le levier.

## Remarque

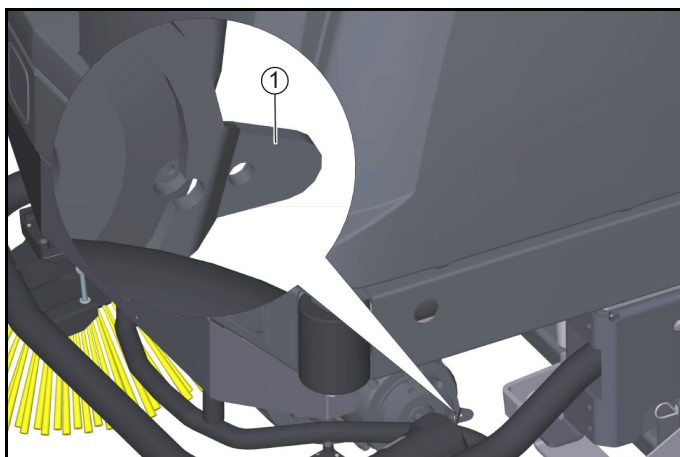
Le levier doit être tiré de manière continue.

## ⚠ DANGER

### Risque de blessure dû à un appareil roulant !

Le frein de stationnement ne peut être desserré qu'en se penchant et en se tenant dans la zone de danger.

Utiliser un objet pour maintenir le levier en position tirée continue et s'éloigner immédiatement de la zone de danger après avoir desserré le frein de stationnement.



- ① Levier du frein de stationnement
2. Pousser l'appareil.
3. Refermer le frein de stationnement en relâchant le levier.

### Remplissage en eau propre

#### Remplissage en eau propre

1. Ouvrir le couvercle du réservoir d'eau propre.
2. Fixer le flexible d'eau propre avec l'agrafe.
3. Remplir en eau propre (60 °C au maximum) jusqu'à env. 5 cm en-dessous de l'entonnoir.

## Remarque

Avant la première utilisation, remplir complètement le réservoir d'eau fraîche afin de purger le système de conduite d'eau.

4. Fermer le couvercle du réservoir d'eau propre.

### Remplir le réservoir d'eau propre avec le système de remplissage automatique (en option)

## Remarque

Nous vous recommandons d'utiliser un flexible avec un raccord Aquastop du côté de l'appareil. Cela permet de minimiser les projections d'eau lors de la séparation après le remplissage.

1. Raccorder le flexible d'eau avec le système de remplissage automatique.
2. Ouvrir l'arrivée d'eau (max. 60 °C, max. 10 bars).
3. Surveiller le remplissage, le système de remplissage automatique interrompt l'arrivée d'eau lorsque le réservoir d'eau propre est plein.
4. Fermer l'arrivée d'eau.
5. Retirer le flexible d'eau.

### Remplissage du détergent

#### Consignes pour les détergents

## ATTENTION

### Risque d'endommagement en cas d'utilisation d'un produit de nettoyage et d'entretien inapproprié !

Dommages matériels

Utilisez uniquement les produits de nettoyage et d'entretien recommandés par Kärcher. L'utilisation de produits de nettoyage et d'entretien inappropriés peut endommager l'appareil ainsi que les sols et les surfaces.

Respectez les utilisations prévues et les fiches de données de sécurité des produits de nettoyage et d'entretien. N'utilisez en aucun cas des produits de nettoyage et d'entretien qui sont inflammables ou très moussants ou qui contiennent des solvants, de l'acide chlorhydrique ou de l'acide fluorhydrique.

## Remarque

N'utilisez pas de détergents fortement moussants.

Détergents recommandés

Utilisation	Détergents
Nettoyage d'entretien de tous les sols résistant à l'eau	RM 756
Nettoyage d'entretien avec des composants d'entretien	RM 746 RM 780
Nettoyage d'entretien et nettoyage de fond de sols industriels	RM 69
Nettoyage d'entretien des revêtements brillants	RM 755
Nettoyage d'entretien et nettoyage de fond de carreaux de faïence	RM 753
Nettoyage d'entretien et nettoyage à fond des revêtements résistants aux acides	RM 751
Nettoyage et désinfection	RM 732
Nettoyage de fond de tous les revêtements de sol résistants aux alcalis	RM 752
Nettoyage de fond et décapage des sols sensibles aux alcalis	RM 754

### Remplissage de détergent dans le réservoir d'eau propre

## Remarque

Remplir d'abord le réservoir de détergent avec de l'eau, puis ajouter le détergent au réservoir en respectant le dosage. Si le détergent est versé en premier, cela peut entraîner une forte formation de mousse.

## ATTENTION

### Risque de colmatage

Lors de l'ajout du détergent dans le réservoir d'eau propre, le détergent peut sécher et perturber le fonctionnement du dispositif de dosage.

Après avoir ajouté le détergent dans le réservoir d'eau propre, rincer l'appareil à l'eau claire : Sélectionner un programme de nettoyage avec application d'eau, régler la quantité d'eau sur la valeur la plus élevée, régler le dosage de détergent sur « 0 ».

### Remplir en détergent avec le dispositif de dosage (en option)

Le détergent est ajouté à l'eau propre par un dispositif de dosage avant d'arriver à la tête de nettoyage.

## Remarque

Un maximum de 3% de détergent peut être ajouté avec le dispositif de dosage. Si le dosage est plus élevé, le détergent doit être ajouté dans le réservoir d'eau propre.

## ATTENTION

### Risque de colmatage

Lors de l'ajout du détergent dans le réservoir d'eau propre, le détergent peut sécher et perturber le fonctionnement du dispositif de dosage.

Après avoir ajouté le détergent dans le réservoir d'eau propre, rincer l'appareil à l'eau claire : Sélectionner un programme de nettoyage avec application d'eau, régler la quantité d'eau sur la valeur la plus élevée, régler le dosage de détergent sur 0.

1. Placer le bidon avec le détergent dans le bac à détergent derrière le siège.
2. Dévisser le couvercle du bidon.
3. Insérer la lance d'aspiration du détergent du dispositif de dosage dans le bidon.

## Remarque

- L'appareil dispose d'un indicateur de niveau d'eau propre à l'écran. Lorsque le réservoir d'eau propre est vide, le dosage de détergent est également arrêté. La tête de nettoyage continue de fonctionner sans apport de liquide.
- Lorsque le bidon de détergent est vide, le dosage est également arrêté. Un symbole de remarque apparaît à l'écran. La tête de nettoyage n'est plus alimentée qu'en eau propre.

### Définir les paramètres (clé intelligente jaune)

Les paramètres des différents programmes de nettoyage sont pré-réglés dans l'appareil.

Différents paramètres peuvent être modifiés en fonction de l'autorisation de la clé intelligente jaune.

La modification des paramètres n'est effective que jusqu'à ce qu'un autre programme de nettoyage soit sélectionné avec le commutateur de programme.

Si les paramètres doivent être modifiés de façon permanente, une clé intelligente grise doit être utilisée pour le ré-

glage. Le réglage est décrit dans la section « Clé intelligente grise ».

## Remarque

Uniquement pour la tête de nettoyage R : Quasi tous les textes sur l'écran associés au réglage des paramètres sont trais clairs. Si vous avez besoin d'informations plus précises sur les paramètres, veuillez contacter le service après-vente.

- Fine Clean : faible vitesse de rotation de la brosse pour l'élimination du voile gris sur la céramique.
  - Whisper Clean : vitesse moyenne de rotation de la brosse pour le nettoyage d'entretien avec niveau sonore réduit.
  - Power Clean : vitesse élevée de rotation de la brosse pour le lustrage, la cristallisation et le balayage.
1. Régler le programmateur sur le programme de nettoyage souhaité.
  2. Appuyer sur le bouton Info.
  3. Tourner le bouton Info jusqu'à l'affichage du paramètre souhaité.
  4. Appuyer sur le bouton Info.  
La valeur réglée clignote.
  5. Régler la valeur souhaitée en tournant le bouton Info.
  6. Confirmer le réglage modifié en appuyant sur le bouton Info ou attendre que la valeur réglée soit appliquée automatiquement au bout de 10 secondes.

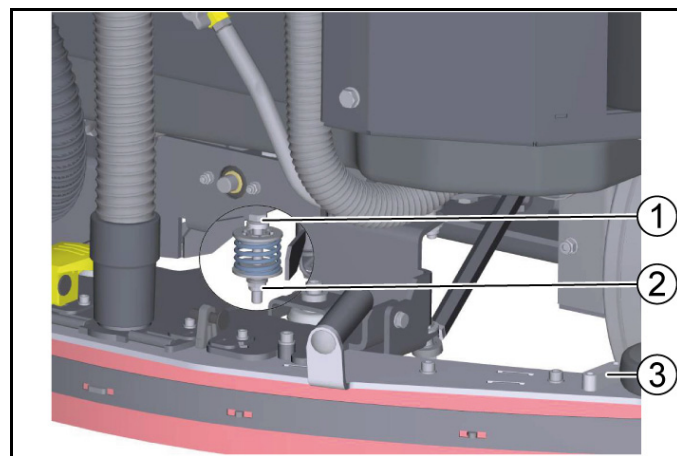
### Régler le suceur

Le suceur n'a besoin d'être réajusté que dans des cas particuliers. Le réglage d'usine convient à la plupart des applications.

### Réglage de l'inclinaison du suceur

régler l'inclinaison de manière à ce que les lèvres d'aspiration de la barre d'aspiration soient appuyées régulièrement sur le sol, sur toute leur longueur.

1. Arrêter l'appareil sur une surface sans pente.
2. Sélectionner le programme "Aspiration".
3. Conduire l'appareil légèrement vers l'avant.  
La barre d'aspiration est abaissée.
4. Lire le niveau à bulle.



- ① Vis
- ② Écrou
- ③ Niveau à bulle
5. Desserrer l'écrou M 12 en maintenant la vis à six pans M 10 à l'aide d'une clé plate.
6. Régler la vis de sorte que l'affichage du niveau à bulle se trouve entre les deux traits.

- Serrer l'écrou M 12 en maintenant la vis à six pans M 10 à l'aide de la clé plate.
- Pour contrôler le nouveau réglage, faire avancer un peu l'appareil avec la barre d'aspiration abaissée en mode aspiration et observer le niveau à bulle. Répéter éventuellement le processus de réglage.

### Balayage (variante Combo uniquement)

Le dispositif de balayage ramasse les impuretés non adhérentes avant le nettoyage du sol.

## ⚠️ AVERTISSEMENT

### Risque de blessure par des pièces mobiles !

Observer que la soufflerie, les balais latéraux et le nettoyage du filtre continuent de fonctionner après l'arrêt.

## ATTENTION

### Utilisation non conforme de l'appareil lors du balayage

Risque d'endommager le dispositif de balayage.

Ne pas balayer de rubans d'emballage, fils métalliques ou autres similaires.

Ne franchir que des marches de 2 cm maximum.

Ne balayer que des surfaces sèches afin d'éviter l'obstruction et la contamination du filtre à poussière.

Le filtre à poussière est automatiquement nettoyé toutes les 5 minutes.

- Activer l'interrupteur « Balayage ». Le dispositif de balayage est activé.

### Flap pour déchets volumineux

Pour balayer des objets plus gros (jusqu'à environ 6 cm de hauteur), le flap pour déchets volumineux peut être soulevé.

## ⚠️ DANGER

### Risque de blessure par les produits balayés !

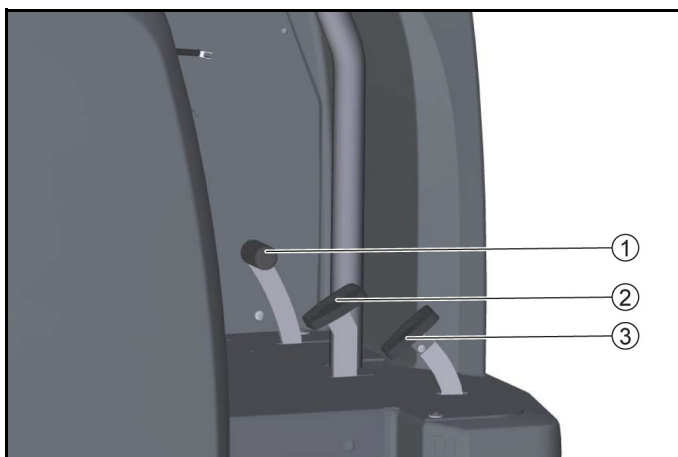
L'ouverture du flap pour déchets volumineux permet d'éjecter les produits balayés.

Ne soulever le flap pour déchets volumineux que lorsque personne ne se trouve à proximité.

## Remarque

Lorsque le flap pour déchets volumineux est soulevé, l'effet de balayage et l'aspiration de la poussière se détériorent. Ne soulever le flap pour déchets volumineux que si cela est nécessaire.

- Actionner la pédale pour soulever le flap pour déchets volumineux.



- Pédale du flap pour déchets volumineux\*
- Pédale de freinage
- Pédale d'accélération

### Terminer le balayage

- Mettre l'interrupteur « Balayage » sur « 0 ». Le dispositif de balayage est désactivé. Une fois le balayage terminé, le filtre à poussière est nettoyé pendant env. 15 secondes.
- Si nécessaire, appuyer sur l'interrupteur Activation/désactivation du nettoyage du filtre. Un cycle de nettoyage du filtre à poussière est lancé.

### Brosse de lavage latérale (option)

La brosse de lavage latérale facilite le travail près des bordures.



- Sortir/rentrer la brosse de lavage latérale
  - Activer/désactiver la brosse de lavage latérale
- Appuyer sur l'interrupteur « Activer/désactiver la brosse de lavage latérale ». La brosse de lavage latérale est activée/désactivée.
  - Appuyer sur l'interrupteur « Rentrer/sortir la brosse de lavage latérale ». La brosse de lavage latérale est rentrée/sortie.

### Terminer l'utilisation

#### Fin du nettoyage

- Régler le sélecteur de programme sur conduite.
- Réaliser encore un petit déplacement. L'eau résiduelle est aspirée.

#### Éteindre l'appareil

- Tourner le programmateur en position « 0 ».
- Uniquement pour batterie Li-Ion :** Appuyer sur le bouton marche/arrêt situé sur le bord inférieur de l'écran séparé jusqu'à ce que le système de batterie soit mis en veille.
- Mettre l'interrupteur de sécurité en position « 0 ».
- Retirer la clé intelligente.

## ⚠️ DANGER

### Risque de blessures et d'endommagement dus au roulement de l'appareil !

Si l'appareil part en roulant de manière incontrôlée, des parties corporelles peuvent être renversées, coincées ou écrasées. Si l'appareil heurte des objets, il peut en résulter des dommages matériels.

Veillez à ce qu'aucun programme de vitesses ne soit réglé et que la pédale d'accélérateur ne soit pas actionnée.

Bloquez l'appareil pour l'empêcher de partir en roulant.

5. Sécuriser l'appareil contre le roulement.

6. Charger la batterie le cas échéant.

## Vider le bac d'eau sale

### ⚠ AVERTISSEMENT

#### Élimination non conforme des eaux usées

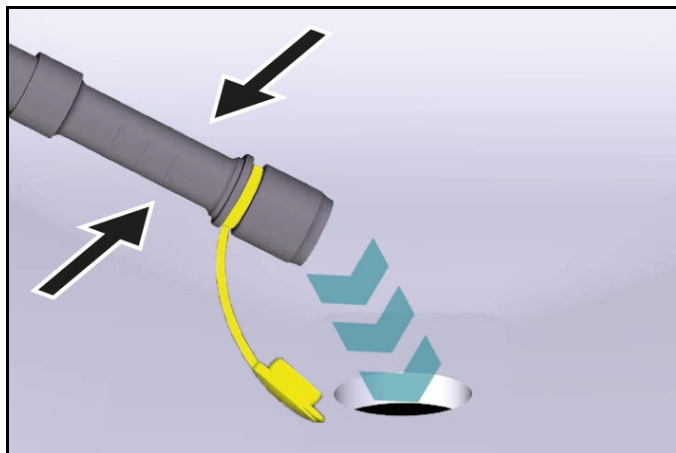
Pollution

Respectez les prescriptions locales de traitement des eaux usées.

### Remarque

Lorsque le réservoir d'eau sale est plein, la turbine d'aspiration s'arrête et l'écran affiche « Réservoir d'eau sale plein ».

1. Retirer le flexible de vidage d'eau sale de son support.
2. Abaisser l'extrémité du flexible sur le dispositif d'élimination.



3. Vider l'eau sale en ouvrant le couvercle du flexible de vidage.

Presser ou tourner le dispositif de dosage pour réduire le débit d'eau.

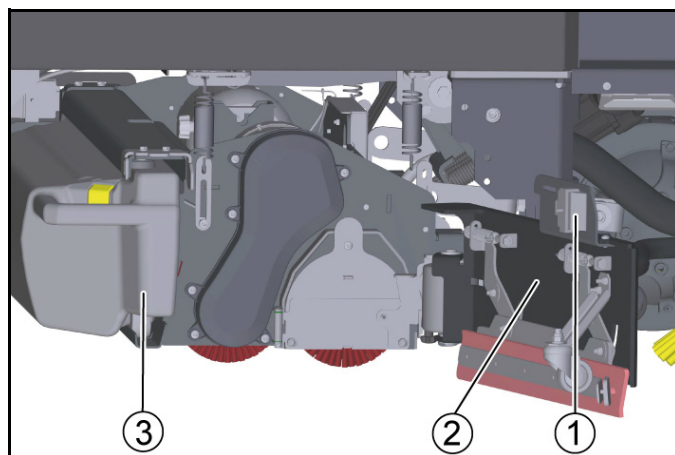
4. Retirer le pistolet de pulvérisation de la fixation.
5. Régler le sélecteur de programme sur transport.
6. Sélectionner « Rinçage du réservoir » sur l'écran.
  - a Appuyer sur le bouton Info.
  - b Sélectionner le menu « Rinçage du réservoir ».
7. Ouvrir la vanne d'arrêt à l'arrière du réservoir d'eau sale.
8. Rincer le réservoir d'eau sale à l'aide de la buse de pulvérisation.
9. Accrocher la buse de pulvérisation dans la fixation.
10. Fermer le couvercle sur le flexible de vidage.
11. Enfoncer le flexible d'eau sale dans la fixation de l'appareil.
12. Fermer la vanne d'arrêt à l'arrière du réservoir d'eau sale.
13. Sélectionner « Rinçage du réservoir » sur l'écran.

## Vider la cuve à poussière

### Remarque

La cuve à poussière ne peut être retirée que par le côté conducteur et n'existe que sur les têtes de nettoyage R.

1. Tirer la patte.
2. Pivoter le support de la lèvre de raclage pour l'ouvrir.
3. Retirer la cuve à poussière.



- ① Patte
- ② Support de la lèvre de raclage
- ③ Cuve à poussière
4. Vider la cuve à poussière.
5. Insérer la cuve à poussière.

### Remarque

La cuve à poussière doit s'enclencher.

6. Pivoter le support de la lèvre de raclage pour le fermer.
7. Retirer latéralement la cuve à poussière de l'unité de balayage préliminaire et la vider (uniquement pour la variante Combo).

## Vidanger l'eau propre

### ATTENTION

**Solution de nettoyage dans le réservoir d'eau propre**  
Endommagement du réservoir d'eau propre, des vannes et joints

Ne jamais laisser la solution de nettoyage dans le réservoir d'eau propre après l'utilisation.

1. Sortir le flexible de vidage de l'eau propre du support et l'abaisser au-dessus d'un bac de collecte adapté.
2. Vider la solution de nettoyage.
3. Retirer le couvercle du réservoir d'eau propre.
4. Rincer le réservoir d'eau propre à l'eau claire (60 °C maximum).

## Entreposer l'appareil

1. Tourner le programmateur en position « OFF ».
2. Retirer la clé intelligente.
3. Sécuriser l'appareil contre le roulement.
4. Charger la batterie le cas échéant.

## Clé intelligente grise

La clé intelligente grise accorde au personnel de supervision des autorisations étendues et des possibilités de réglage.

1. Insérer la clé intelligente.
2. Sélectionner la fonction souhaitée en tournant le bouton Info.

## Course de transport

1. Régler le programmateur sur « course de transport ».
2. Appuyer sur le bouton Info.

Les réglages suivants peuvent être exécutés dans le menu Course de transport :

- Réinitialiser le compteur de maintenance
- Réinitialiser le compteur journalier
- Gestion des clés
- Choisir la forme de la brosse
- Temporisations

- Réglage de base
- Réglage de la langue
- Menu Interrupteur
- Vitesse de déplacement
- Réglage usine
- Activer le pistolet de pulvérisation du réservoir manuel

### Réinitialiser le compteur de maintenance

Si un travail de maintenance affiché à l'écran a été exécuté, le compteur de maintenance correspondant doit alors être réinitialisé.

1. Tourner le bouton Info jusqu'à ce que « Compteur maint. » s'affiche.
2. Appuyer sur le bouton Info.  
Les relevés de compteur s'affichent.
3. Tourner le bouton Info jusqu'à ce que le compteur à supprimer soit mis en surbrillance.
4. Appuyer sur le bouton Info.
5. Sélectionner « Yes » en tournant le bouton Info.
6. Appuyer sur le bouton Info.  
Le compteur est supprimé.

## Remarque

Le compteur de service ne peut être réinitialisé que par le service client.

Le compteur de service affiche le temps jusqu'au prochain service dû par le service client.

### Réinitialisation du compteur

1. Tourner le bouton Info jusqu'à ce que « Compteur » s'affiche.  
Ce menu affiche les heures de fonctionnement totales et le compteur de jours.

### Effacer le compteur journalier :

2. Appuyer sur le bouton Info.  
Le menu "Effacer le compteur" s'affiche.
3. Tourner le bouton Info jusqu'à ce que « Compteur journalier » soit mis en surbrillance.
4. Appuyer sur le bouton Info.

### Gestion des clés

Dans l'élément de menu « Menu Clé », les autorisations sont attribuées pour chaque clé intelligente jaune utilisée et la langue d'affichage est définie pour cette clé intelligente.

1. Insérer la clé intelligente grise.
2. Tourner le bouton Info jusqu'à ce que le point de menu « Menu Clé » s'affiche à l'écran.
3. Appuyer sur le bouton Info.
4. Retirer la clé intelligente grise et insérer la clé intelligente jaune à personnaliser ou la clé intelligente blanche.
5. Sélectionner le point de menu à modifier en tournant le bouton Info.
6. Appuyer sur le bouton Info.
7. Sélectionner le réglage du point de menu en tournant le bouton Info.
8. Confirmer le réglage en appuyant sur le point de menu.
9. Sélectionner le point de menu suivant à modifier en tournant le bouton Info.
10. Une fois tous les réglages effectués, afficher le menu « Enregistrer ? » en tournant le bouton Info.
11. Appuyer sur le bouton Info.  
Les autorisations sont enregistrées.  
L'affichage « Reprendre le menu clé » apparaît.

- Yes: Programmation d'une autre clé intelligente

- No: Quitter le menu clé
12. Appuyer sur le bouton Info.

### Choisir la forme de la brosse

Cette fonction est nécessaire lors du changement de la tête de nettoyage.

1. Tourner le bouton Info jusqu'à ce que le point de menu « Sabot » s'affiche à l'écran.
2. Appuyer sur le bouton Info.
3. Tourner le bouton Info jusqu'à ce que la forme de brosse souhaitée soit mise en surbrillance.
4. Appuyer sur le bouton Info.
5. Pour changer la tête de nettoyage, déplacer l'entraînement de levage en tournant le bouton info :
  - « haut » : Levage
  - « bas » : Abaissement
  - « OFF » : Arrêt
6. Tourner le bouton Info jusqu'à l'affichage du point de menu « OFF ».
7. Appuyer sur le bouton Info.  
Le menu est quitté.  
La commande effectue un redémarrage.

### Temporisations

1. Tourner le bouton Info jusqu'à ce que le point de menu « Temporisations » s'affiche à l'écran.
2. Appuyer sur le bouton Info.
3. Tourner le bouton Info jusqu'à ce que la fonction souhaitée soit mise en surbrillance.
4. Appuyer sur le bouton Info.
5. Tourner le bouton Info jusqu'à l'affichage de la temporisation souhaitée.
6. Appuyer sur le bouton Info.

### Réglage de base

1. Tourner le bouton Info jusqu'à ce que le point de menu « Réglage de base » s'affiche à l'écran.
2. Appuyer sur le bouton Info.
3. Tourner le bouton Info jusqu'à ce que l'accessoire souhaité soit mis en surbrillance.
4. Appuyer sur le bouton d'information pour confirmer MARCHE/ARRET.
5. Appuyer sur le bouton Info pour quitter le menu.
6. Désactiver et réactiver l'appareil pour accepter le réglage.

### Réglage de la langue

1. Tourner le bouton Info jusqu'à ce que le point de menu « Langue » s'affiche à l'écran.
2. Appuyer sur le bouton Info.
3. Tourner le bouton Info jusqu'à ce que la langue souhaitée soit mise en surbrillance.
4. Appuyer sur le bouton Info.

### Menu Interrupteur

Les fonctions suivantes sont activées et désactivées via le « Menu Interrupteur » :

- Dosage du détergent\*
- Gyrophare/ Spot\*
- Buses de pulvérisation balais latéraux\*
- Aspiration et aspersion
- Projecteur de travail
- Rinçage du réservoir

Le « Menu Interrupteur » est disponible dans toutes les positions du sélecteur de programme, en dehors de la fonction « OFF ».

1. Appuyer sur le bouton Info.  
Le « Menu Interrupteur » s'affiche.
  2. Appuyer sur le bouton Info.  
La liste des fonctions disponibles dans l'appareil s'affiche.
  3. Tourner le bouton Info jusqu'à ce que la fonction souhaitée soit mise en surbrillance.
  4. Pour modifier l'état de commutation, appuyer sur le bouton Info.
  5. Tourner le bouton Info jusqu'à ce que « Quitter le menu ? » s'affiche.
  6. Appuyer sur le bouton Info.
- \* En option

#### Réglage de la vitesse de déplacement maximale

1. Tourner le bouton Info jusqu'à ce que le point de menu « Vitesse de déplacement » s'affiche à l'écran.
2. Appuyer sur le bouton Info.
3. Tourner le bouton Info jusqu'à ce que la vitesse maximale souhaitée soit mise en surbrillance.
4. Appuyer sur le bouton Info.

#### Réglage usine

Le réglage d'usine de tous les paramètres (sauf la vitesse de déplacement du transport) est réinitialisé.

1. Tourner le bouton Info jusqu'à l'affichage du point de menu « Réglage usine ».
2. Appuyer sur le bouton Info.
3. Tourner le bouton Info jusqu'à ce que « Yes » soit mis en surbrillance.
4. Appuyer sur le bouton Info.

#### Réglage des paramètres des programmes de nettoyage

Tous les paramètres des programmes de nettoyage sont conservés jusqu'à ce qu'un autre réglage soit sélectionné ou que l'appareil soit désactivé.

1. Régler le programmeur sur le programme de nettoyage souhaité.
2. Appuyer sur le bouton Info.  
Le premier paramètre à régler est affiché.
3. Appuyer sur le bouton Info  
La valeur réglée clignote.
4. Régler la valeur souhaitée en tournant le bouton Info.
5. Confirmer le réglage modifié en appuyant sur le bouton Info ou attendre que la valeur réglée soit appliquée automatiquement au bout de 10 secondes.
6. Sélectionner le paramètre suivant en tournant le bouton Info.
7. Une fois tous les paramètres souhaités modifiés, tourner le bouton Info jusqu'à l'affichage du point de menu « Quitter le menu ? ».
8. Appuyer sur le bouton Info.  
Le menu est quitté.

#### Réglage de base

Les modifications de paramètres effectuées pendant le fonctionnement dans les différents programmes de nettoyage sont réinitialisées aux réglages de base après l'arrêt de l'appareil.

1. Tourner le bouton Info jusqu'à ce que le point de menu « Réglage de base » s'affiche à l'écran.
2. Appuyer sur le bouton Info.
3. Tourner le bouton Info jusqu'à ce que le programme de nettoyage souhaité soit mis en surbrillance.
4. Appuyer sur le bouton Info.

5. Tourner le bouton Info jusqu'à l'affichage du paramètre souhaité.
6. Appuyer sur le bouton Info.  
La valeur réglée clignote.
7. Régler la valeur souhaitée en tournant le bouton Info.
8. Appuyer sur le bouton Info.

#### Clé intelligente jaune

La clé intelligente jaune autorise les fonctions requises pour la tâche de nettoyage.

Les paramètres des différents programmes de nettoyage sont pré-réglés dans l'appareil. Différents paramètres peuvent être modifiés en fonction de l'autorisation de la clé intelligente jaune.

Les textes à l'écran pour le paramétrage sont généralement explicites.

Paramètres « FACT » (uniquement disponible avec la tête de nettoyage R) :

- « Fine Clean » : faible vitesse de rotation de la brosse pour l'élimination du voile gris sur la céramique.
- « Whisper Clean » : vitesse moyenne de rotation de la brosse pour le nettoyage d'entretien avec niveau sonore réduit.
- « Power Clean » : vitesse élevée de rotation de la brosse pour le lustrage, la cristallisation et le balayage.

#### Gestion des autorisations

- Accès général par la clé intelligente
  - Vitesse de travail
  - Vitesse de rotation de la brosse
  - Aspiration
  - Pression d'appui
  - Quantité d'eau
  - Dosage de détergent
  - RAB/ Blue-Spot
  - Aspiration et aspersion
  - Rinçage du réservoir
1. Sélectionner le menu « Menu clé » à l'aide du bouton d'information.
  2. Confirmer « Accès » en appuyant sur le bouton d'information.
  3. Définir les autres accès, les activer et les confirmer avec le bouton d'information
  4. Appuyer sur « Enregistrer ? » avec le bouton d'information pour confirmer et enregistrer les réglages effectués.

#### Clé intelligente blanche

L'insertion d'une clé intelligente blanche déverrouille l'appareil et permet de l'utiliser avec des paramètres prédéfinis.

Les clés intelligentes blanches sont applicables de telle sorte qu'il est possible de créer une clé intelligente avec des paramètres adaptés pour chaque tâche de nettoyage. Les paramètres ne sont pas modifiables par l'utilisateur et sont indépendants de la sélection du programme de nettoyage sur le sélecteur de programme (les fonctions « 0 », transport et aspiration restent inchangées).

La clé intelligente grise permet de définir les paramètres suivants pour la clé intelligente blanche :

- Vitesse de déplacement
- Vitesse de travail
- Vitesse de rotation de la brosse (tête de nettoyage R uniquement)
- Pression d'appui
- Quantité d'eau

- Dosage RM
- Aspiration
- Phare de travail
- Gyrophare
- Dosage RM ON/OFF
- Pièce de protection
- Vanne d'eau Barre d'aspiration
- Langue

### Programmation d'une clé intelligente blanche

1. Insérer la clé intelligente grise.
2. Tourner le bouton Info jusqu'à ce que le point de menu « Menu Clé » s'affiche à l'écran.
3. Appuyer sur le bouton Info.
4. Retirer la clé intelligente grise et insérer la clé intelligente blanche à personnaliser.
5. Sélectionner le point de menu à modifier en tournant le bouton Info.
6. Appuyer sur le bouton Info.
7. Sélectionner le réglage du point de menu en tournant le bouton Info.
8. Confirmer le réglage en appuyant sur le point de menu.
9. Sélectionner le point de menu suivant à modifier en tournant le bouton Info.
10. Tourner le bouton Info jusqu'à l'affichage du point de menu « Enregistrer ? ».
11. Appuyer sur le bouton Info.  
Les réglages sont enregistrés.
12. Tourner le bouton Info jusqu'à l'affichage du point de menu « Quitter le menu ? ».
13. Appuyer sur le bouton Info.

### Utilisation avec une clé intelligente blanche

1. Insérer la clé intelligente blanche.
- Les fonctions « OFF », Conduite et Aspiration fonctionnent comme d'habitude.
  - Dans toutes les autres positions du sélecteur de programme, les paramètres programmés sur la clé intelligente blanche sont actifs. Il n'est plus possible de sélectionner différents programmes de nettoyage.

### Transport

#### ⚠ DANGER

##### Conduite en pente

Risque de blessures

Utilisez l'appareil pour le chargement et le déchargement uniquement sur des pentes jusqu'à la valeur maximale (voir le chapitre « Caractéristiques techniques »).

Toujours appuyer sur la pédale de frein pour réduire la vitesse.

#### ⚠ PRÉCAUTION

##### Non-observation du poids

Risque de blessure et d'endommagement

Observer le poids de l'appareil pour le transport.

1. Avec la tête de nettoyage D montée, retirer les disques brosses du sabot.
2. En cas de transport de l'appareil dans des véhicules, le bloquer contre le glissement et le basculement suivant les normes en vigueur.

### Stockage

#### ⚠ PRECAUTION

##### Non-observation du poids

Risque de blessure et d'endommagement

Tenir compte du poids de l'appareil pour le stockage.

## ATTENTION

### Gel

Destruction de l'appareil par le gel d'eau

Videz complètement l'appareil de toute son eau.

Rangez l'appareil à un endroit hors gel.

Lors du choix de la place d'entreposage, tenez compte du poids total de l'appareil afin de ne pas nuire à sa stabilité.

- Stocker cet appareil uniquement à l'intérieur.
- Charger complètement les batteries avant de les stocker longtemps.
- Charger complètement les batteries au moins une fois par mois pendant le stockage.

### Entretien et maintenance

#### ⚠ DANGER

##### Risque de blessure par l'appareil !

Choc électrique dû au démarrage intempestif de l'appareil.

Tourner le programmeur en position « 0 ».

Débranchez la clé intelligente avant de réaliser un quelconque travail sur l'appareil.

Débranchez la fiche secteur du chargeur.

Débranchez la fiche de la batterie.

#### ⚠ AVERTISSEMENT

##### Risque de blessure par des éléments mobiles !

Après l'arrêt, la turbine d'aspiration, les balais latéraux et le nettoyage du filtre continuent de fonctionner.

N'effectuer des travaux sur l'appareil que lorsque les composants se sont arrêtés.

- Vidanger et éliminer l'eau sale et l'eau propre.

### Intervalles de maintenance

#### Après chaque fonctionnement

## ATTENTION

##### Risque d'endommagement !

Risque d'endommager l'appareil en cas de nettoyage inapproprié.

Ne pas asperger l'appareil avec de l'eau et ne pas utiliser de produits de nettoyage agressifs.

Pour la description détaillée des différents travaux de maintenance, voir le chapitre *Travaux de maintenance*.

- Vidanger l'eau sale.
- Contrôler le filtre à peluches, le nettoyer si besoin.
- Retirer les cuves à poussière, les vider et les nettoyer.
- Tête de nettoyage R uniquement : retirer et vider le réservoir de déchets volumineux.
- Uniquement sur la variante Combo : Retirer, vider et nettoyer le réservoir de déchets volumineux de l'unité de balayage préliminaire.
- Nettoyer l'extérieur de l'appareil à l'aide d'un chiffon humide imbibé d'une solution basique de nettoyage.
- Nettoyer les lèvres d'aspiration, en vérifier l'usure et les remplacer si nécessaire.
- Nettoyer les joints racleurs, en vérifier l'usure et les remplacer si nécessaire.
- Nettoyer les brosses, en vérifier l'usure et les remplacer si nécessaire.

## Remarque

Les brosses cylindriques sont usées lorsque les poils indicateurs jaunes sont de la même longueur que les autres poils.

- Charger la batterie acide-plomb.
  - Si le niveau de charge est inférieur à 50%, charger complètement et sans interruption la batterie.
  - Si le niveau de charge est supérieur à 50%, charger la batterie uniquement si la prochaine utilisation requiert la durée de fonctionnement complète.
- En cas de fort encrassement, nettoyer le réservoir d'eau sale.

#### Toutes les semaines

- En cas d'utilisation fréquente, charger la batterie plomb-acide complètement et sans interruption au moins une fois par semaine.

#### Tous les mois

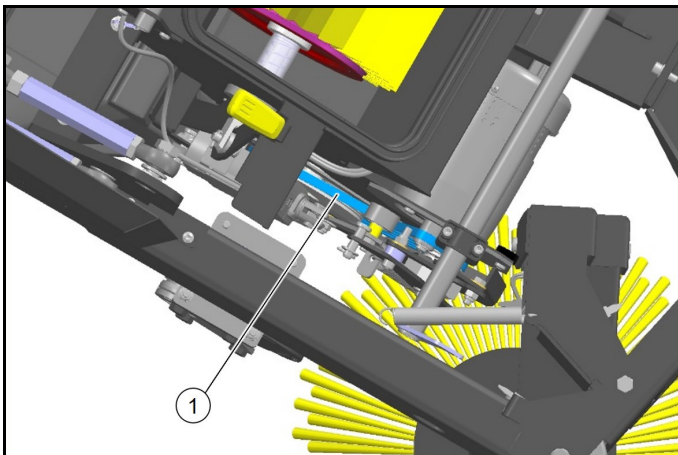
- Si l'appareil est temporairement arrêté (entreposage) : procéder à la charge d'égalisation de la batterie.
- Vérifier l'oxydation des pôles de la batterie, les brosser si besoin. Vérifier la bonne fixation des câbles de liaison.
- Nettoyer les joints entre le bac d'eau sale et le couvercle et en vérifier l'étanchéité, les remplacer si besoin.
- Sur les batteries sans maintenance, vérifier l'étanchéité à l'acide des cellules.
- Tête de nettoyage R uniquement : nettoyer le tunnel de la brosse.
- Après des arrêts prolongés, ranger l'appareil avec les batteries complètement chargées. Charger la batterie respective complètement au moins une fois par mois.

#### En plus sur la variante Combo :

- Vérifier la liberté de mouvement des câbles Bowden et des pièces mobiles.
- Vérifier le réglage et l'usure des baguettes d'étanchéité du dispositif de balayage.

#### Tous les trois mois

Uniquement sur la variante Combo :



- ① Courroie d'entraînement de la brosse-rouleau  
 1. Vérifier la tension, l'usure et le fonctionnement de la courroie d'entraînement dans le dispositif de balayage.

## Remarque

Faites remplacer une courroie endommagée ou usée par le service après-vente.

#### Tous les ans

- Faire réaliser l'inspection prescrite par le service après-vente.

#### Inspection de sécurité/contrat de maintenance

Vous pouvez convenir d'une inspection de maintenance régulière ou conclure un contrat de maintenance avec votre distributeur. Demandez conseil.

#### Travaux de maintenance

##### Nettoyage du bac d'eau sale

1. Régler le programme Rinçage du réservoir via l'écran avec le bouton d'information.
2. Ouvrir le couvercle de l'ouverture de nettoyage du réservoir d'eau sale.
3. Rincer le bac d'eau sale à l'eau claire.
4. Nettoyer le bord de l'ouverture de nettoyage.
5. Refermer le couvercle de l'ouverture de nettoyage du réservoir d'eau sale.

## Remarque

Le nettoyage peut également être effectué par d'autres sources d'eau.

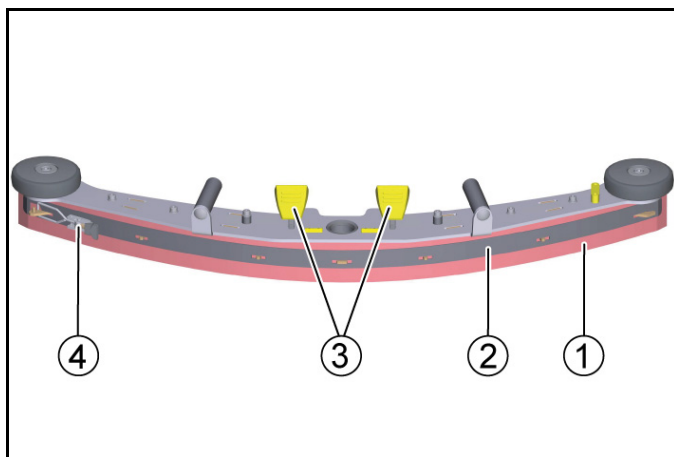
#### Retournement ou remplacement des lèvres d'aspiration

Lorsque les lèvres d'aspiration sont usées, elles doivent être retournées ou remplacées.

## Remarque

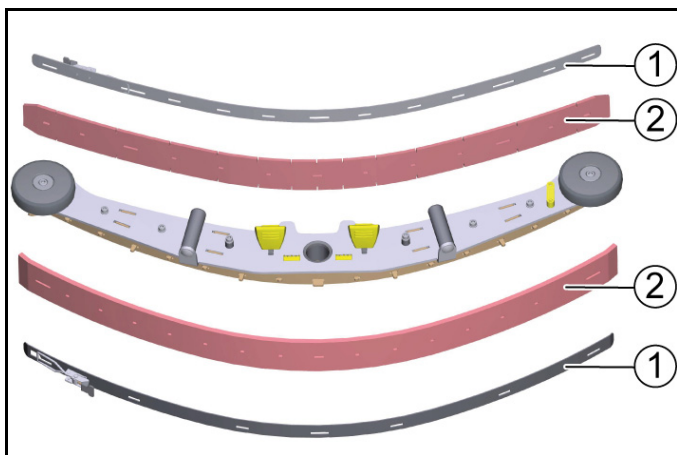
Les lèvres d'aspiration peuvent être tournées 3 fois jusqu'à ce que les 4 bords soient usés.

1. Ouvrir le levier excentrique (2x).
2. Retirer le suceur.



- ① Joint racler
  - ② Bande de serrage
  - ③ Levier excentrique (2x)
  - ④ Fermeture de tension
3. Ouvrir la fermeture de tension.
  4. Retirer la bande de serrage.
  5. Retirer la lèvre de raclage.

- Enfoncer les lèvres d'aspiration tournées ou nouvelles sur les picots de la partie intérieure du suceur.

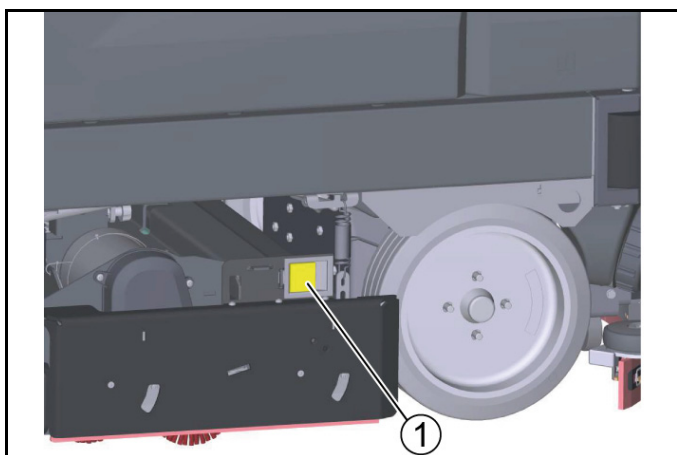


- ① Bande de serrage
- ② Joint racler

- Poser la bande de serrage.
- Insérer la barre d'aspiration
- Fermer les leviers excentriques (2x).

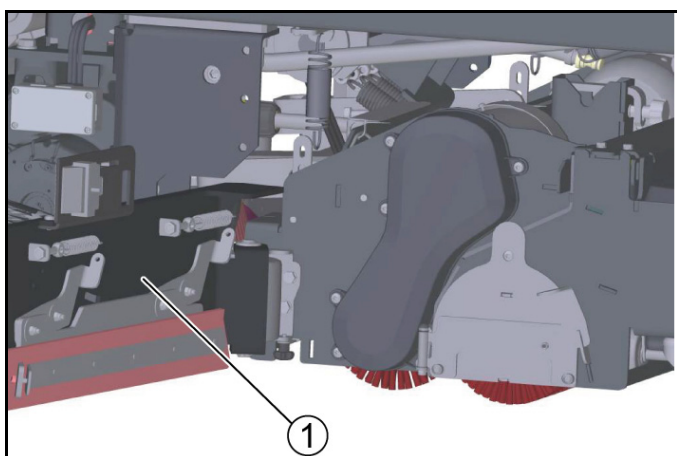
### Remplacement des brosses-rouleaux

- Tirer la patte.



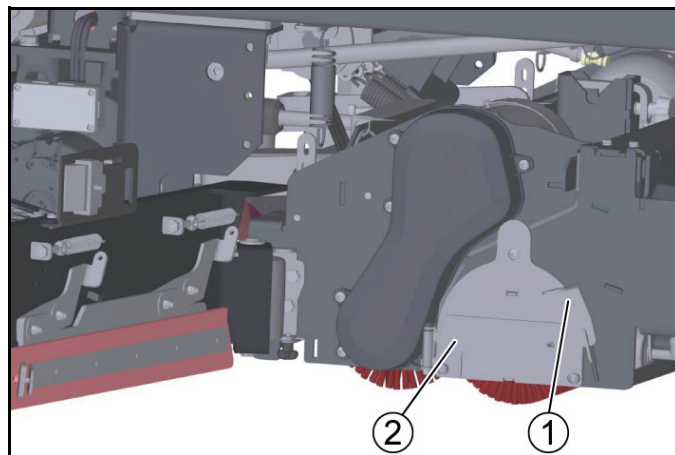
- ① Patte

- Pivoter la porte latérale de la lèvre de raclage pour l'ouvrir.



- ① Porte latérale de la lèvre de raclage

- Pivoter le pêne jaune vers le haut.

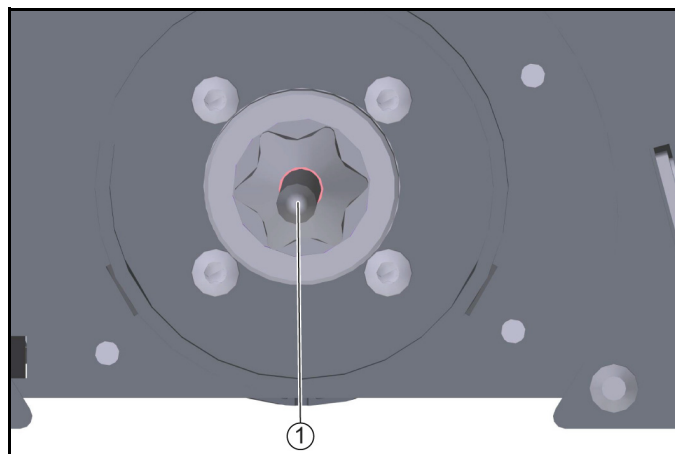


- ① Pêne
- ② Volet de sécurité

- Pivoter le volet de sécurité pour l'enlever.
- Retirer la tôle de maintien de la brosse.
- Retirer le rouleau-brosse.
- Mettre en place le nouveau rouleau-brosse.

### Remarque

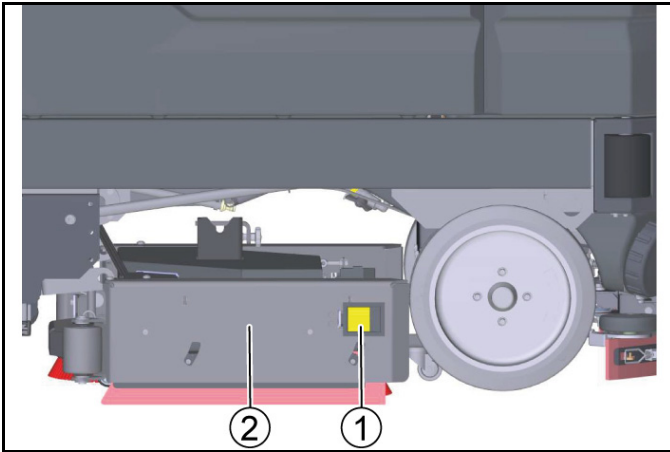
Veiller à ce que, lors de la mise en place du rouleau-brosse, celui-ci soit placé sur la broche présente dans le tunnel de la brosse.



- ① BROCHE

- Remettre la tôle de maintien de la brosse en place.
  - Fermer le volet de sécurité.
  - Faire pivoter le pêne vers le bas dans le crochet.
  - Pivoter la porte latérale de la lèvre de raclage pour la fermer.
- Répéter la procédure du côté opposé.

## Remplacer les lèvres de raclage



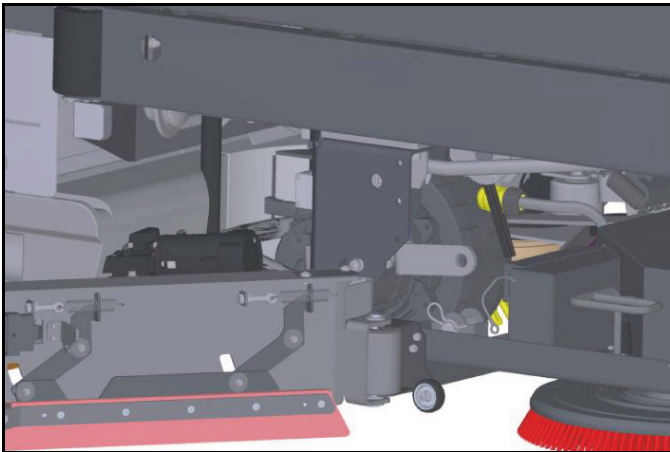
① Patte

② Porte latérale de la lèvre de raclage

1. Tirer la patte.

2. Pivoter la porte latérale de la lèvre de raclage pour l'ouvrir.

3. Dévisser les vis (6x).



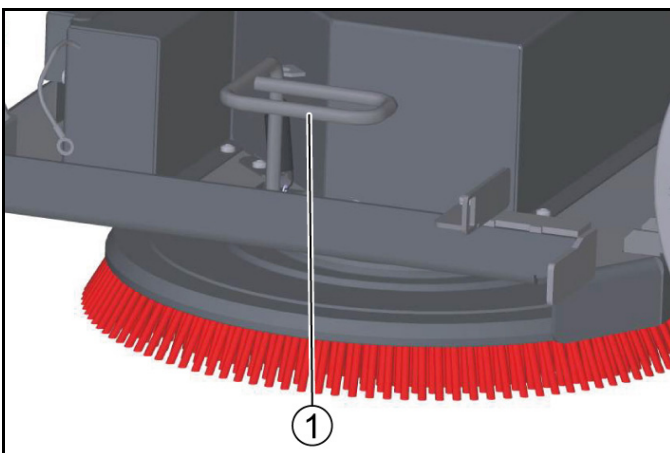
4. Remplacer la lèvre de raclage.

5. Remettre les vis (6x) en place.

6. Pivoter le support de la lèvre de raclage pour le fermer.

## Remplacer les disques brosses

1. Tirer la languette de la porte latérale.



① Etrier

2. Pivoter la porte latérale de la lèvre de raclage pour l'ouvrir.

3. Appuyer l'étrier vers le bas.

4. Retirer le disque brosse sur le côté, sous la tête de nettoyage.

5. Maintenir le nouveau disque brosse sous la tête de nettoyage, l'appuyer vers le haut et l'enclencher.

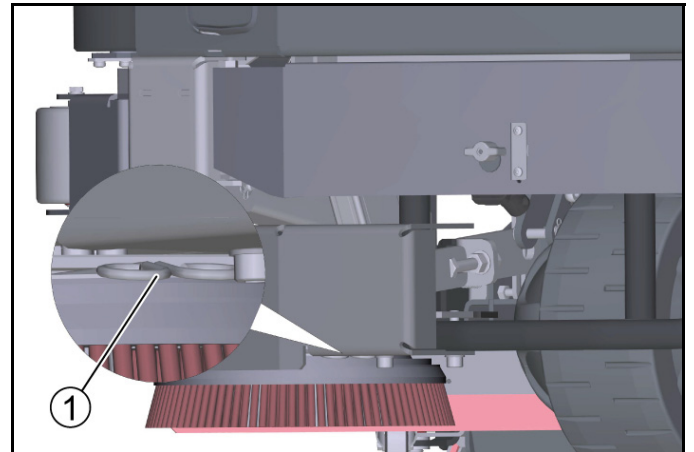
6. Pivoter la porte latérale de la lèvre de raclage pour la refermer.

## Travaux de maintenance supplémentaires pour la brosse de lavage latérale

### Nettoyage de la brosse

1. Tourner la brosse dans le sens des aiguilles d'une montre jusqu'à ce que les ressorts du logement de la brosse soient orientés vers l'avant.

2. Écarter les ressorts du logement de la brosse.



① Ressorts du logement de la brosse

La brosse tombe de la fixation.

3. Vérifier que la brosse ne contient pas de corps étrangers (p.ex. ruban d'emballage ou film).

4. Nettoyer la brosse à l'eau courante.

5. Écartez les ressorts du logement de la brosse et insérer la brosse.

### Vérifier l'usure de la brosse

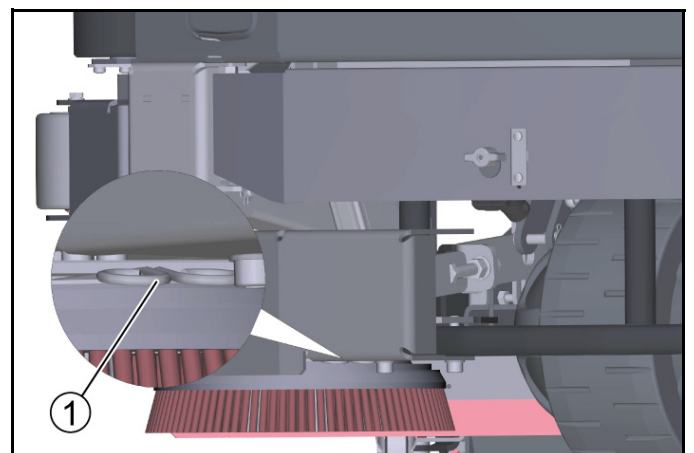
La brosse est usée lorsque la longueur des poils correspond à la longueur des poils indicateurs jaunes.

1. Remplacer la brosse (voir *Remplacement de la brosse*).

### Remplacement de la brosse

1. Tourner la brosse dans le sens des aiguilles d'une montre jusqu'à ce que les ressorts du logement de la brosse soient orientés vers l'avant.

2. Écarter les ressorts du logement de la brosse.



① Ressorts du logement de la brosse

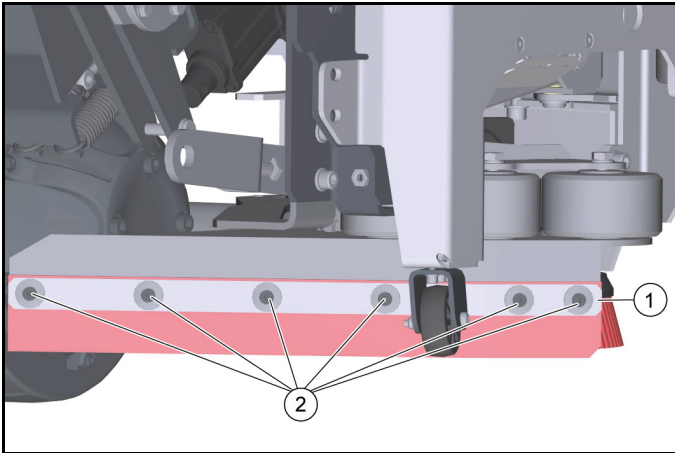
La brosse tombe de la fixation.

3. Placer la nouvelle brosse.

- Écartez les ressorts du logement de la brosse et insérer la brosse.

### Remplacer la lèvre de raclage

- Dévisser la vis M6 x 12 (6x).



- Tôle de maintien
  - Vis M6 x 12
- Retirer la tôle de maintien et la lèvre de raclage.
  - Poser la nouvelle lèvre de raclage sur la tôle de maintien.
  - Visser la tôle de maintien avec la vis M6 x 12 (6x).

### Travaux d'entretien sur l'unité de balayage préliminaire (uniquement pour la variante Combo)

## ⚠ DANGER

### Risque d'écrasement et de cisaillement !

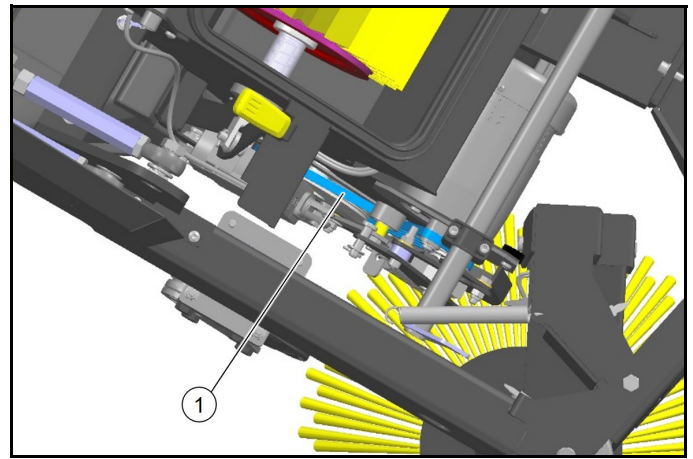
Risque d'écrasement et de cisaillement dû aux entraînements par courroie en mouvement.  
Avant de pouvoir remettre l'appareil en service après des travaux de maintenance, le capot du balayage préliminaire doit impérativement être fermé et verrouillé.

### Vérifier la courroie d'entraînement

- Ouvrir le verrouillage de la poignée, faire pivoter le capot vers le haut et bloquer la béquille.



- Vérifier la tension, l'usure et le fonctionnement de la courroie d'entraînement de la brosse-rouleau.



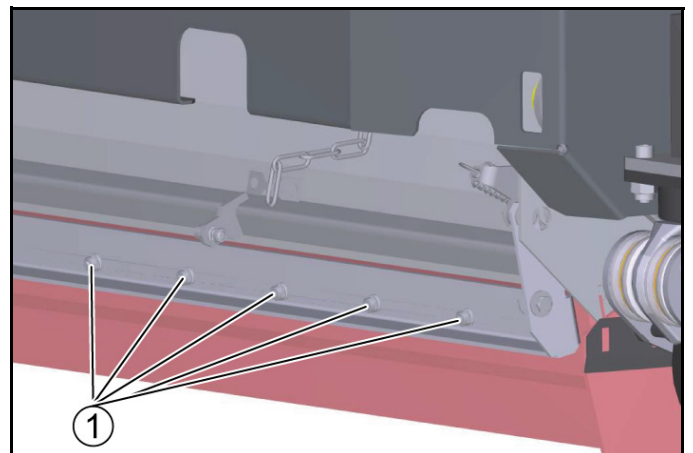
- Courroie d'entraînement de la brosse-rouleau

## Remarque

Faites remplacer une courroie endommagée ou usée par le service après-vente.

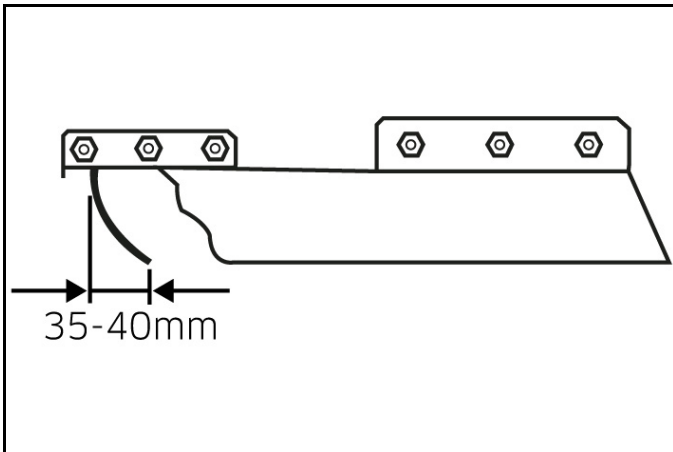
### Contrôler les baguettes d'étanchéité du dispositif de balayage

- Placer l'appareil sur une surface plane.
  - Régler le programmateur sur « 0 ».
  - Bloquer l'appareil avec une cale pour l'empêcher de rouler.
  - Retirer la cuve à poussière.
- ### Barre d'étanchéité à l'avant
- Desserrer les écrous (5x).



- Écrou

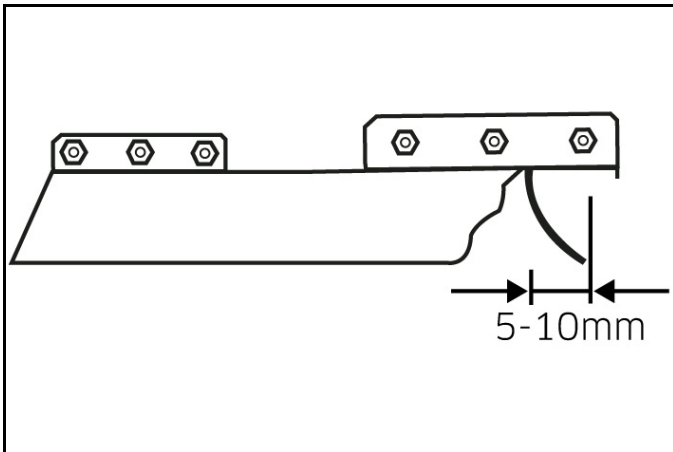
6. Orienter la baguette d'étanchéité de manière à ce qu'elle se rabatte vers l'arrière avec une poursuite de 35-40 mm.



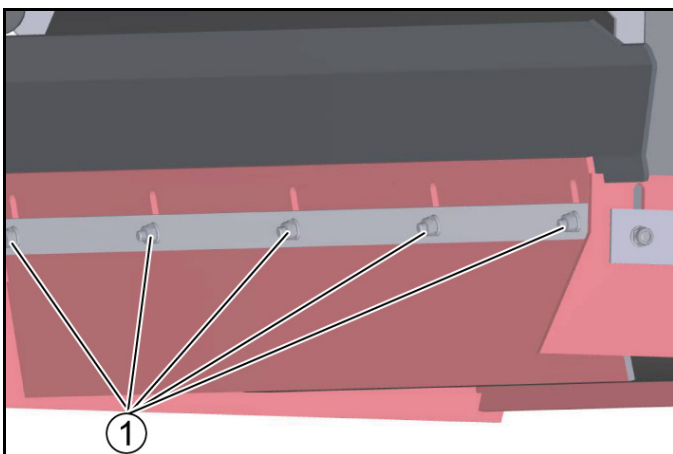
7. Serrer les écrous (5x).

#### Barre d'étanchéité à l'arrière

Régler l'espace au sol de la baguette d'étanchéité de manière à ce qu'elle se rabatte vers l'arrière avec une poursuite de 5-10 mm.



8. Remplacer la baguette d'étanchéité en cas d'usure.  
9. Démontez la brosse rouleau (voir chapitre *Remplacer la brosse rouleau*).  
10. Desserrer les vis (5x).

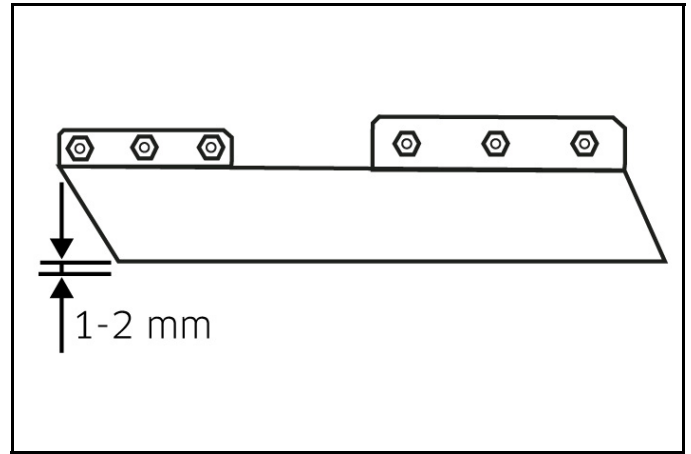


① Vis

11. Insérer la nouvelle baguette d'étanchéité.  
12. Serrer les vis (5x).

#### Barres d'étanchéité latérales

13. Desserrer les vis de fixation.



14. Régler la distance au sol en insérant une cale de 1-2 mm d'épaisseur.

15. Aligner la baguette d'étanchéité.

16. Serrer les vis.

17. Monter la brosse-rouleau.

#### Remplacer le filtre à poussière

### ⚠ DANGER

#### Risque pour la santé dû à la poussière

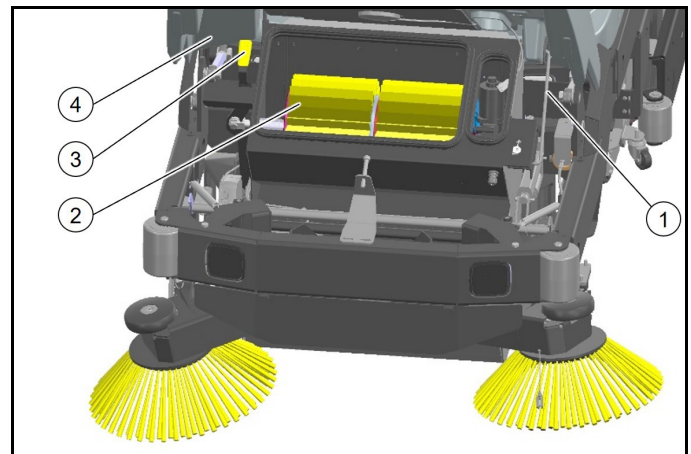
Lors des travaux sur l'installation de filtration, porter un masque de protection contre la poussière et des lunettes de protection.

Observer les consignes de sécurité en relation avec les poussières fines.

1. Éteindre la machine, voir chapitre *Terminer l'utilisation*.

#### Démontage :

- Attendre au moins 1 minute que le nettoyage automatique du filtre à poussière soit terminé et que la poussière se soit déposée dans le caisson du filtre.
- Ouvrir le verrouillage de la poignée, faire pivoter le capot vers le haut et bloquer la béquille.



① Support

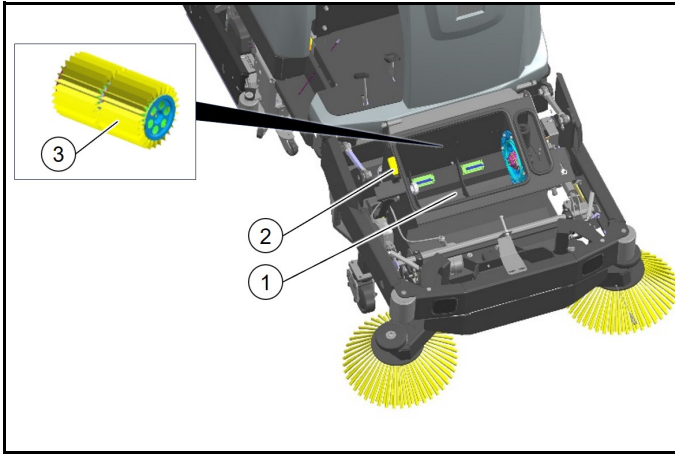
② Filtre à poussière

③ Levier

④ Surface de dépose

4. Déplacer le levier vers la droite dans le sens de la marche pour le bloquer.

5. Sortir le filtre à poussière vers le haut.



- ① Surface de dépose
- ② Levier
- ③ Filtre à poussière

**Nettoyage :**

6. Vérifier si le filtre à poussière est encrassé ou endommagé, le nettoyer ou le remplacer, le cas échéant.

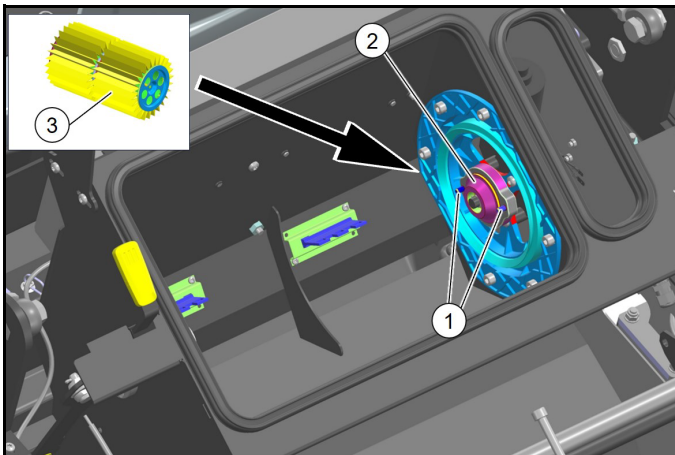
**ATTENTION**

Ne pas nettoyer ou brosser le filtre à poussière avec de l'air comprimé. Pour le nettoyage, tapoter délicatement ou aspirer.

7. Nettoyer le boîtier du filtre à poussière.

**Montage :**

8. Insérer le filtre à poussière sur l'arbre d'entraînement de manière à ce que les goujons d'entraînement soient positionnés dans les ouvertures latérales du filtre à poussière.



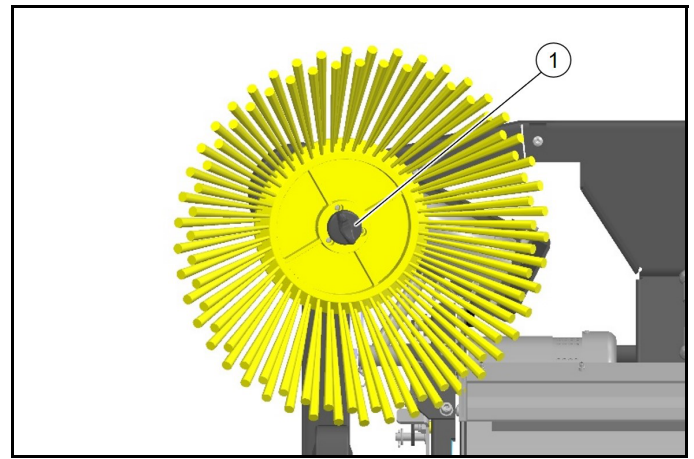
- ① Goujon d'entraînement
- ② Arbre d'entraînement
- ③ Filtre à poussière

9. Débloquer le levier et le déplacer vers la gauche dans le sens de la marche.

10. Débloquer la béquille et faire pivoter le capot vers le bas.

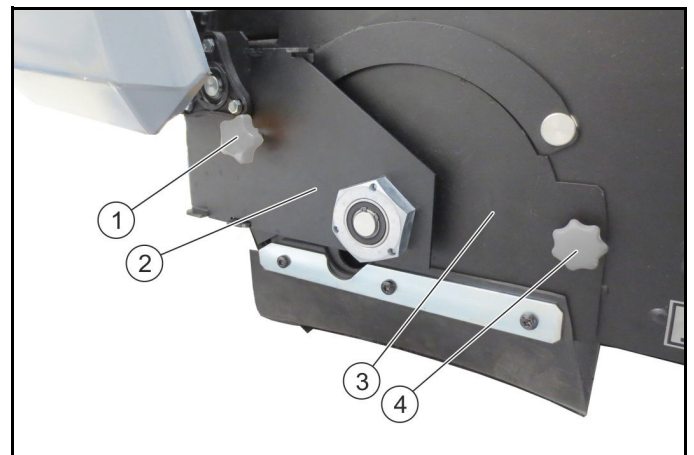
**Remplacer les balais latéraux**

1. Dévisser la poignée-étoile.



- ① Poignée-étoile
2. Retirer le balais latéral.  
3. Insérer le nouveau balai latéral.  
4. Visser et serrer la poignée-étoile.

**Remplacer la brosse rouleau**



- ① Poignée étoile, gauche
- ② Plaque de palier
- ③ Plaque de recouvrement
- ④ Poignée étoile, droite

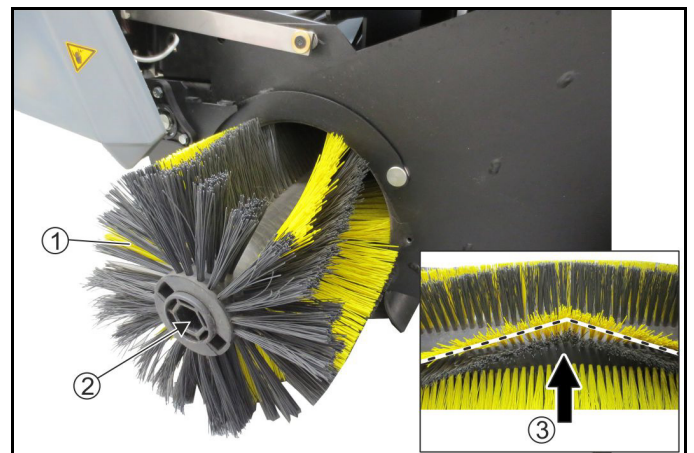
1. Tirer le goujon d'arrêt vers l'avant et faire pivoter la roue directionnelle latérale de l'unité de balayage préliminaire vers l'extérieur.

2. Dévisser la poignée étoile de gauche.

3. Retirer la plaque de palier.

4. Dévisser la poignée étoile de droite.

5. Retirer la plaque de recouvrement.



- ① Brosse-rouleau

- ② Logement de la brosse-rouleau
- ③ Sens de la marche, vers l'avant
6. Extraire la brosse-rouleau.
7. Contrôler l'usure et les éventuelles bandes enroulées.
8. Au besoin : Monter une brosse-rouleau neuve.
9. Lors du montage, veiller à la bonne position de montage (les logements des brosses-rouleaux sont identiques).
10. Monter la plaque de recouvrement et la plaque de palier dans l'ordre inverse.
11. Pivoter la roue directionnelle latérale de l'unité de balayage préliminaire et l'enclencher.

#### Protection antigel

En cas de risque de gel :

1. Vider les réservoirs d'eau propre et d'eau sale.
2. Ranger l'appareil dans un espace à l'abri du gel.

#### Dépannage en cas de défaut

### ⚠ DANGER

**Risque de blessure en cas de démarrage involontaire de l'appareil !**

Le démarrage accidentel de l'appareil peut blesser les personnes qui travaillent sur l'appareil.

Débranchez la clé intelligente avant de réaliser un quelconque travail sur l'appareil.

Débrancher la fiche secteur du chargeur de la prise de courant avant de réaliser un quelconque travail.

Débranchez la fiche de la batterie avant de réaliser un quelconque travail.

### ⚠ AVERTISSEMENT

**Risque de blessure par des éléments mobiles !**

Après l'arrêt, la turbine d'aspiration, les balais latéraux et le nettoyage du filtre continuent de fonctionner.

N'effectuer des travaux sur l'appareil que lorsque les composants se sont arrêtés.

1. Vidanger l'eau sale.
2. Vidanger l'eau propre restante.

## Remarque

Si le défaut ne peut pas être résolu avec les instructions suivantes, contacter le service après-vente.

#### Remplacer les fusibles

L'opérateur ne peut remplacer que les fusibles plats pour véhicules automobiles ayant les valeurs suivantes :

- 5A - Alimentation de commande et de secours
- 20A - par course/alimentation du module d'accessoires
- 50A - Module de levage/nettoyage 3

### ATTENTION

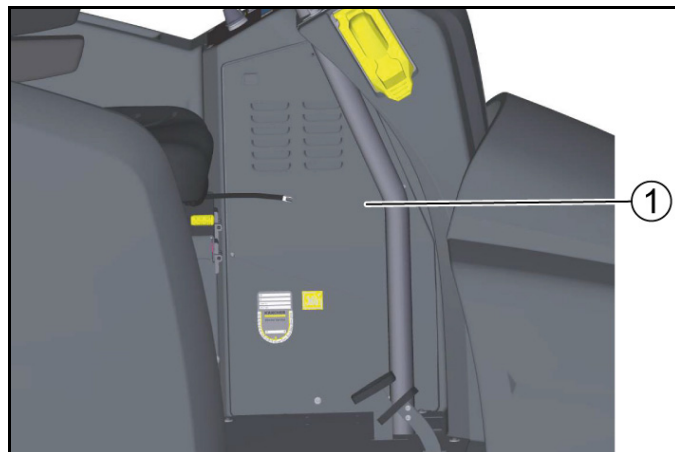
**Endommagement de la commande !**

Le remplacement inapproprié des fusibles peut entraîner des dommages sur la commande.

Ne faire remplacer les fusibles à pôles défectueux que par le service après-vente. Si des fusibles à pôles sont défectueux, les conditions d'utilisation et l'ensemble de la commande doivent être contrôlés par le service après-vente. La commande est placée sous le pupitre de commande. Pour accéder aux fusibles, il faut retirer le cache situé sur le côté gauche de l'espace des pieds.

## Remarque

Vous trouverez l'affectation des fusibles à l'intérieur du cache.



① Cache

1. Dévisser la vis (3x).
2. Retirer le couvercle.
3. Remplacer le fusible.
4. Mettre le cache en place.

#### Remplacer les fusibles de l'unité de balayage préliminaire (variante Combo uniquement)

L'opérateur ne peut remplacer que les fusibles ayant les valeurs suivantes :

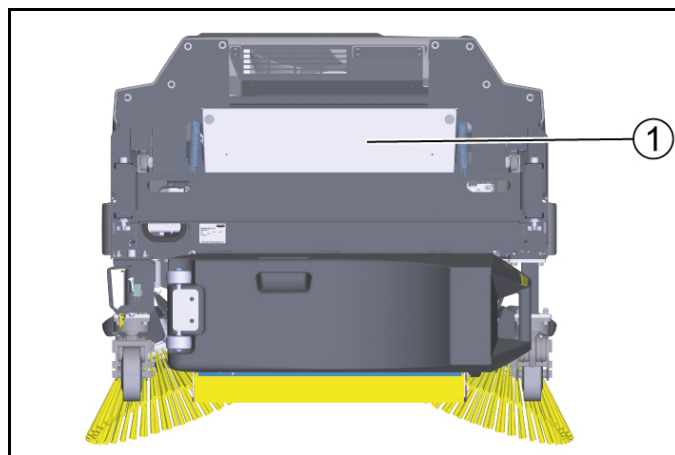
- 100 A – Fusible en ligne module Curtis
- 30 A – Alimentation électrique du module Curtis
- 10 A – Interrupteur tableau de commande
- 20 A – Contacteur principal et module KSI Curtis

### ATTENTION

**Endommagement de la commande !**

Le remplacement inapproprié des fusibles peut entraîner des dommages sur la commande.

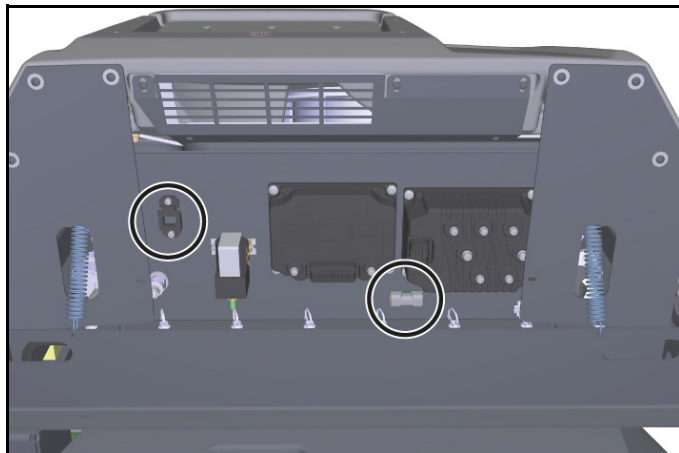
Ne faire remplacer les fusibles à pôles défectueux que par le service après-vente. Si des fusibles à pôles sont défectueux, les conditions d'utilisation et l'ensemble de la commande doivent être contrôlés par le service après-vente.



① Cache

1. Retirer les couvercles de gauche et de droite.
2. Dévisser les deux vis du couvercle.
3. Retirer le couvercle.

#### 4. Remplacer le fusible.



① Cache

#### 5. Mettre le cache en place.

### Défauts avec affichage sur l'écran

En cas de défauts qui s'affichent à l'écran, procéder comme suit :

- Affichage des défauts sous forme de code numérique  
En cas d'affichage de défaut avec un code numérique, réinitialiser d'abord le défaut (l'appareil) :
  - a Régler le programmeur sur « 0 ».
  - b Attendre que l'écran s'éteigne.
  - c Régler le sélecteur de programme sur le programme précédent.  
Seulement lorsque le défaut se reproduit, effectuer les mesures correctives appropriées dans l'ordre indiqué. Pour cela, le sélecteur de programme doit être placé sur « 0 » et la clé intelligente doit être retirée.
  - d Si le défaut ne peut pas être corrigé, contacter le service client en indiquant le message d'erreur.
- Affichage des défauts sous forme de texte
  - a Suivre les instructions à l'écran.
  - b Acquitter le défaut en appuyant sur le bouton info.

## Remarque

Les messages d'erreur qui ne sont pas répertoriés dans le tableau suivant indiquent des défauts qui ne peuvent pas être corrigés par l'opérateur. Dans ce cas, veuillez contacter le service client.

Erreur	Solution
<b>Contacteur de siège ouvert !</b>	<ol style="list-style-type: none"> <li>1. Relâcher la pédale d'accélérateur.</li> <li>2. Régler le siège du conducteur en fonction du poids du corps.</li> <li>3. Décharger brièvement le siège du conducteur pour que la commande puisse vérifier le fonctionnement de l'interrupteur de contact du siège.</li> <li>4. Charger complètement le siège du conducteur.</li> </ol>
<b>Relâcher la pédale d'accélération !</b>	<ol style="list-style-type: none"> <li>1. Relâcher la pédale d'accélération.</li> </ol>
<b>Batterie déchargée !</b>	<ol style="list-style-type: none"> <li>1. Charger la batterie.</li> </ol>
<b>Tension de batterie pas admissible !</b>	<ol style="list-style-type: none"> <li>1. Contacter le service après-vente</li> </ol>
<b>Réservoir d'eau propre vide !</b>	<ol style="list-style-type: none"> <li>1. Remplir le réservoir d'eau propre.</li> </ol>
<b>Pression de la brosse pas atteinte !</b>	<ol style="list-style-type: none"> <li>1. Contrôler l'usure des brosses, les remplacer si besoin.</li> <li>2. Contrôler le fonctionnement de la tête de nettoyage : abaisser, lever.</li> </ol>
<b>Eau sale pleine !</b>	<ol style="list-style-type: none"> <li>1. Vider le bac d'eau sale.</li> </ol>
<b>Frein défectueux !</b>	<ol style="list-style-type: none"> <li>1. Arrêter de conduire l'appareil.</li> <li>2. Contacter le service après-vente</li> </ol>
<b>Moteur de traction trop chaud ! Phase de refroidissement</b>	<ol style="list-style-type: none"> <li>1. Mettre l'interrupteur de sécurité en position « 0 ».</li> <li>2. Laisser refroidir l'appareil pendant au moins 15 minutes.</li> <li>3. En cas de répétition, appeler le service après-vente</li> </ol>
<b>Klaxon défectueux !</b>	<ol style="list-style-type: none"> <li>1. Contacter le service après-vente.</li> </ol>
<b>Tête CPU trop chaude ! Phase de refroidissement</b>	<ol style="list-style-type: none"> <li>1. Mettre l'interrupteur de sécurité en position « 0 ».</li> <li>2. Laisser refroidir la commande pendant au moins 5 minutes.</li> <li>3. Réduire considérablement la pression de la brosse sur un sol accidenté.</li> <li>4. En cas de répétition, appeler le service après-vente.</li> </ol>
<b>Entraînement de la brosse surchargé !</b>	<ol style="list-style-type: none"> <li>1. Réduire la pression sur la brosse.</li> <li>2. Vérifier si des corps étrangers (p. ex. ruban d'emballage, morceaux de bois) bloquent les brosses.</li> </ol>
<b>Aucun sens de conduite !</b>	<ol style="list-style-type: none"> <li>1. Éteindre l'appareil.</li> <li>2. Pousser le commutateur de sens de la marche plusieurs fois en avant et en arrière.</li> <li>3. Démarrer l'appareil.</li> <li>4. Contactez le service après-vente si l'erreur persiste.</li> </ol>

## Défauts sans affichage à l'écran

Erreur	Solution
<b>Impossible de démarrer l'appareil</b>	<ol style="list-style-type: none"> <li>1. Brancher la fiche de la batterie.</li> <li>2. Uniquement pour batterie Li-Ion : Appuyer sur le bouton marche/arrêt situé sur le bord inférieur de l'écran séparé.</li> <li>3. Mettre l'interrupteur de sécurité sur « 1 ».</li> <li>4. Insérer la clé intelligente.</li> <li>5. Vérifier le fusible F1, le remplacer si nécessaire (voir chapitre <i>Remplacer les fusibles</i>).</li> <li>6. Vérifier les batteries, les charges si besoin.</li> </ol>
<b>La quantité d'eau est insuffisante</b>	<ol style="list-style-type: none"> <li>1. Vérifier le niveau de remplissage de l'eau propre, remplir éventuellement le réservoir complètement afin d'évacuer l'air.</li> <li>2. Vérifier les éventuels colmatages des flexibles, les nettoyer si besoin.</li> <li>3. Retirer et nettoyer le filtre d'eau propre.</li> <li>4. Ouvrir le robinet à boisseau sphérique d'eau propre.</li> </ol>
<b>La puissance d'aspiration est trop faible</b>	<ol style="list-style-type: none"> <li>1. Fermer le couvercle sur le flexible de vidange de l'eau sale.</li> <li>2. Nettoyer les joints entre le bac d'eau sale et le couvercle et en vérifier l'étanchéité, les remplacer si besoin.</li> <li>3. Nettoyer le filtre de la turbine.</li> <li>4. Nettoyer les lèvres d'aspiration sur la barre d'aspiration, les remplacer si besoin.</li> <li>5. Vérifier les éventuels colmatages du tuyau d'aspiration, le nettoyer éventuellement.</li> <li>6. Vérifier l'étanchéité du flexible d'aspiration, le remplacer si besoin.</li> <li>7. Vérifier le réglage du suceur.</li> </ol>
<b>Le résultat de nettoyage est insuffisant</b>	<ol style="list-style-type: none"> <li>1. Régler le programme de nettoyage adapté à la tâche de nettoyage.</li> <li>2. Utiliser des brosses appropriées pour la tâche de nettoyage.</li> <li>3. Utiliser un détergent approprié pour la tâche de nettoyage.</li> <li>4. Réduire la vitesse.</li> <li>5. Régler la pression d'appui.</li> <li>6. Régler les joints racleurs.</li> <li>7. Vérifier l'usure de la brosse et la remplacer éventuellement.</li> <li>8. Vérifier l'évacuation de l'eau.</li> </ol>
<b>Les brosses ne tournent pas</b>	<ol style="list-style-type: none"> <li>1. Réduire la pression d'appui.</li> <li>2. Vérifier qu'aucun corps étranger ne bloque les brosses, retirer éventuellement le corps étranger.</li> </ol>
<b>Le gyrophare en option et/ou la lampe de travail ne s'allument pas</b>	<ol style="list-style-type: none"> <li>1. Vérifier le fusible F3, le remplacer si nécessaire (voir chapitre <i>Remplacer les fusibles</i>).</li> </ol>
<b>Erreur K1/109</b>	<ol style="list-style-type: none"> <li>1. Éteindre l'appareil.</li> <li>2. Attendre une minute.</li> <li>3. Rallumer l'appareil.</li> </ol>

## Défauts supplémentaires sur la variante Combo

Erreur	Solution
<b>L'appareil ne balaie pas correctement</b>	<ol style="list-style-type: none"> <li>1. Vérifier l'usure des brosses rouleaux et des balais latéraux, les remplacer si nécessaire.</li> <li>2. Si la brosse rouleau ne tourne pas, vérifier la courroie d'entraînement, la nettoyer si nécessaire.</li> <li>3. Vérifier le fonctionnement du flap pour déchets volumineux.</li> <li>4. Vérifier l'usure des baguettes d'étanchéité, les régler ou les remplacer si nécessaire.</li> </ol>
<b>Le dispositif de balayage produit un nuage de poussière</b>	<ol style="list-style-type: none"> <li>1. Vider la cuve à poussière.</li> <li>2. Vérifier le fonctionnement de la soufflerie du dispositif de balayage.</li> <li>3. Vérifier le manchon d'étanchéité sur le ventilateur d'aspiration.</li> <li>4. Vérifier le filtre à poussière, le nettoyer ou le remplacer si nécessaire.</li> <li>5. Vérifier le joint du logement du filtre.</li> <li>6. Vérifier l'usure de la baguette d'étanchéité, la régler ou la remplacer si nécessaire.</li> </ol>
<b>Le résultat de nettoyage lors du balayage des bords est insuffisant</b>	<ol style="list-style-type: none"> <li>1. Vérifier le réglage en hauteur des balais latéraux, les régler si nécessaire.</li> <li>2. Remplacer les balais latéraux.</li> </ol>

## Caractéristiques techniques

		B 260 RI (D100)	B 260 RI Combo (D100)	B 260 RI (R 120)	B 260 RI Combo (R 120)	B 260 RI (R100)	B 260 RI Combo (R100)
<b>Généralités</b>							
Vitesse de conduite/nettoyage	mph	6.21	6.21	6.21	6.21	6.21	6.21
Vitesse de transport	mph	6.21	6.21	6.21	6.21	6.21	6.21
Vitesse en arrière	mph	3.73	3.73	3.73	3.73	3.73	3.73
Distance de freinage admissible sur le plat à une vitesse de déplacement max. de 10 km/h	m	1.9	1.9	1.9	1.9	1.9	1.9
Durée d'utilisation en fonction de la tête de la brosse, de la pression exercée sur la brosse et de la rugosité du support	h	4	3.5	4	3.5	4	3.5
Rendement surfacique théorique	ft <sup>2</sup> /h (m <sup>2</sup> /h)	107639.1 (10000)	107639.1 (10000)	129166.9(12000)	129166.9(12000)	107639.1 (10000)	107639.1 (10000)
Rendement surfacique théorique avec brosse de lavage latérale	ft <sup>2</sup> /h (m <sup>2</sup> /h)	120555.8 (11200)	---	---	---	120555.8 (11200)	---
Rendement surfacique théorique avec 2 balais latéraux	ft <sup>2</sup> /h (m <sup>2</sup> /h)	123785 (11500)	123785 (11500)	144236.4 (13400)	144236.4 (13400)	123785 (11500)	123785 (11500)
Rendement surfacique pratique avec la tête de brosse	ft <sup>2</sup> /h (m <sup>2</sup> /h)	75347.4 (7000)	75347.4 (7000)	90416.8 (8400)	90416.8 (8400)	75347.4 (7000)	75347.4 (7000)
Volume du bac d'eau du robinet / sale	gal (l)	68.7 (260)	68.7 (260)	68.7 (260)	68.7 (260)	68.7 (260)	68.7 (260)
Volume du réservoir d'impuretés grossières	gal (l)	---	---	8.4 (32)	8.4 (32)	6.7 (26)	6.7 (26)
Bac à détergent (option boîte)	gal (l)	2.6 (10)	2.6 (10)	2.6 (10)	2.6 (10)	2.6 (10)	2.6 (10)
Plage de dosage de détergent (de - à)	%	0-3	0-3	0-3	0-3	0-3	0-3
Quantité minimale de dosage d'eau	l/min	0,9	0,9	0,9	0,9	0,9	0,9
Quantité maximale de dosage d'eau	l/min	9	9	9	9	9	9
pression de surface max. (y compris conducteur, eau)	N/mm <sup>2</sup>	1,33	1.33	1.33	1,33	1.33	1.33
<b>Caractéristiques de puissance de l'appareil</b>							
Tension nominale	V	36	36	36		36	36
Capacité de la batterie	Ah	525/630	525/630	525/630	525/ 630/630	525/630	525/630
Puissance moyenne absorbée	W	6500	8000	6500	8000	6500	8000
Puissance du moteur de traction	W	2200	2200	2200	2200	2200	2200
Puissance du moteur d'aspiration	W	2x840	2x840	2x840	2x840	2x840	2x840
Puissance du moteur de la brosse	W	2x 1100	2x 1100	2x 1100	2x 1100	2x 1100	2x 1100
Temps de charge lorsque la batterie est vide (plomb-acide)	h	10	10	10	10	10	10
Temps de charge lorsque la batterie est vide	h	3	3	3	3	3	3
Puissance de l'entraînement de la brosse-rouleau	W	---	600	---	600	---	600
Puissance du balai latéral (option)	W	2x80	2x80	2x80	2x80	2x80	2x80
Puissance de la turbine d'aspiration	W	---	115	---	115	---	115
<b>Aspiration</b>							
Puissance d'aspiration, débit d'air	l/s	28 x 2	28 x 2	28 x 2	28 x 2	28 x 2	28 x 2
Puissance d'aspiration, dépression	kPa (mbar)	14 (140)	14 (140)	14 (140)	14 (140)	14 (140)	14 (140)
Dépression turbine/ barre d'aspiration	kPa (mbar)	22/11 (220/110)	22/11 (220/110)	22/11 (220/110)	22/11 (220/110)	22/11 (220/110)	22/11 (220/110)
Surface filtrante du filtre à poussière	m <sup>2</sup>	---	4	---	4	---	4
<b>Brosses de nettoyage</b>							
Diamètre de la brosse	in (mm)	20.1 (510)	20.1 (510)	6.3 (160)	6.3 (160)	6.3 (160)	6.3 (160)

		<b>B 260 RI (D100)</b>	<b>B 260 RI Combo (D100)</b>	<b>B 260 RI (R 120)</b>	<b>B 260 RI Combo (R 120)</b>	<b>B 260 RI (R100)</b>	<b>B 260 RI Combo (R100)</b>
Longueur de brosse	in (mm)	---	---	44 (1118)	44 (1118)	36 (914)	36 (914)
Vitesse de rotation de la brosse	1/min	140	140	1250	1250	1250	1250
Vitesse de rotation de la brosse de la- vage latérale	1/min	140	---	---	---	140	---
Diamètre de la brosse de lavage laté- rale	in (mm)	11.8 (300)	---	---	---	300	---
Diamètre de la brosse-rouleau	in (mm)	---	9.8 (250)	---	9.8 (250)	---	9.8 (250)
Largeur de la brosse-rouleau	in (mm)	---	24 (610)	---	24 (610)	---	24 (610)
Vitesse de brosse-rouleau	1/min	---	650	---	650	---	650
Diamètre du balai latéral	in (mm)	17.7 (450)	17.7 (450)	17.7 (450)	17.7 (450)	17.7 (450)	17.7 (450)
<b>Dimensions</b>							
Longueur	in (mm)	75.8 (1925)	106.7 (2710)	75.8 (1925)	106.7 (2710)	75.8 (1925)	106.7 (2710)
Largeur (sans barre d'aspiration)	in (mm)	40.9 (1040)	40.9 (1040)	52.3 (1328)	52.3 (1328)	42.1 (1070)	42.1 (1070)
Largeur (avec barre d'aspiration)	in (mm)	44.9 (1140)	44.9 (1140)	52.8 (1340)	52.8 (1340)	44.9 (1140)	44.9 (1140)
Hauteur	in (mm)	61.6 (1565)	61.6 (1565)	61.6 (1565)	61.6 (1565)	61.6 (1565)	61.6 (1565)
Hauteur (avec toit de protection, gyro- phare)	in (mm)	86.6 (2200)	86.6 (2200)	86.6 (2200)	86.6 (2200)	86.6 (2200)	86.6 (2200)
Largeur de travail avec brosse de la- vage latérale	in (mm)	44.1 (1120)	---	---	---	40.1 (1120)	---
Largeur de travail avec balai latéral	in (mm)	45.3 (1150)	49.6 (1260)	52.8 (1340)	49.6 (1260)	45.3 (1150)	49.6 (1260)
Rayon de braquage (Ø)	in (mm)	83.5 (2120)	196.3 (4960)	83.5 (2120)	196.3 (4960)	83.5 (2120)	196.3 (4960)
Taille du compartiment à piles (LxIxH)	in (mm)	33.1 x 24.6 x 20.5 (840 x 625 x 520)	33.1 x 24.6 x 20.5 (840 x 625 x 520)	33.1 x 24.6 x 20.5 (840 x 625 x 520)	33.1 x 24.6 x 20.5 (840 x 625 x 520)	33.1 x 24.6 x 20.5 (840 x 625 x 520)	33.1 x 24.6 x 20.5 (840 x 625 x 520)
Roue avant, largeur	in (mm)	5.2 (132)	5.2 (132)	5.2 (132)	5.2 (132)	5.2 (132)	5.2 (132)
Roue avant, diamètre (extérieur)	in (mm)	11.8 (300)	11.8 (300)	11.8 (300)	11.8 (300)	11.8 (300)	11.8 (300)
Roue arrière, largeur	in (mm)	4.3 (108)	4.3 (108)	4.3 (108)	4.3 (108)	4.3 (108)	4.3 (108)
Roue arrière, diamètre (extérieur)	in (mm)	14.8 (375)	14.8 (375)	14.8 (375)	14.8 (375)	14.8 (375)	14.8 (375)
<b>Poids</b>							
Poids total autorisé	lbs (kg)	4056.5 (1840)	4453 (2020)	4056.5 (1840)	4453 (2020)	4056.5 (1840)	4453 (2020)
Poids de transport (avec batterie 525/ 630 Ah, conducteur 75 kg, sabot moyen)	lbs (kg)	2116.4 (960)/ 3218.7 (1460)	2557.3 (1160)/ 3659.6 (1660)	2116.4 (960)/ 3218.7 (1460)	2557.3 (1160)/ 3659.6 (1660)	2116.4 (960)/ 3218.7 (1460)	2557.3 (1160)/ 3659.6 (1660)
Poids, prêt à l'emploi (avec batteries 525/630 Ah et réservoir plein)	lbs (kg)	2515.4 (1141)/ 3617.7 (1641)	2956.4 (1341)/ 4058.7 (1841)	2515.4 (1141)/ 3617.7 (1641)	2956.4 (1341)/ 4058.7 (1841)	2515.4 (1141)/ 3617.7 (1641)	2956.4 (1341)/ 4058.7 (1841)
Pression d'appui au sol de la brosse	lbs (kg)	286.6 (130)	286.6 (130)	330.7 (150)	330.7 (150)	330.7 (150)	330.7 (150)
Pression d'appui au sol de la brosse	N/m <sup>2</sup> (g/ cm <sup>2</sup> )	4118.8 (42)	4118.8 (42)	16475.2 (168)	16475.2 (168)	20594 (210)	20594 (210)
<b>Charge surfacique (avec conducteur et réservoir d'eau propre plein)</b>							
Charge surfacique Roue Dispositif de balayage	N/m <sup>2</sup> (g/ cm <sup>2</sup> )	---	---	---	---	---	---
Charge surfacique, roue avant	N/m <sup>2</sup> (g/ cm <sup>2</sup> )	20299.8 (207)	20299.8 (207)	20299.8 (207)	20299.8 (207)	20299.8 (207)	20299.8 (207)
Charge surfacique, roue arrière	N/m <sup>2</sup> (g/ cm <sup>2</sup> )	5884 (60)	5884 (60)	5884 (60)	5884 (60)	5884 (60)	5884 (60)

		B 260 RI (D100)	B 260 RI Combo (D100)	B 260 RI (R 120)	B 260 RI Combo (R 120)	B 260 RI (R100)	B 260 RI Combo (R100)
<b>Chargeur offboard départ d'usine</b>							
Longueur de câble	in (mm)	118.1 (3000)	118.1 (3000)	118.1 (3000)	118.1 (3000)	118.1 (3000)	118.1 (3000)
Tension	V	230	230	230	230	230	230
Plage de fréquences	Hz	50/60	50/60	50/60	50/60	50/60	50/60
Dimensions :	in (mm)	16.5 x 10.2 x 4.5 (420 x 260 x 115)	16.5 x 10.2 x 4.5 (420 x 260 x 115)	16.5 x 10.2 x 4.5 (420 x 260 x 115)	16.5 x 10.2 x 4.5 (420 x 260 x 115)	16.5 x 10.2 x 4.5 (420 x 260 x 115)	16.5 x 10.2 x 4.5 (420 x 260 x 115)
Poids	lbs (kg)	22 (10)	22 (10)	22 (10)	22 (10)	22 (10)	22 (10)
Classe de protection		IP 21	IP 21	IP 21	IP 21	IP 21	IP 21
Type de connecteur		Schuko	Schuko	Schuko	Schuko	Schuko	Schuko
Courant de charge	A	65	65	65	65	65	65
<b>Chargeur Li-Ion départ d'usine</b>							
Longueur de câble	mm	3000	3000	3000	3000	3000	3000
Tension	V	380	380	380	380	380	380
Plage de fréquences	Hz	50/60	50/60	50/60	50/60	50/60	50/60
Dimensions :	mm	535 x 210 x 360	535 x 210 x 360	535 x 210 x 360	535 x 210 x 360	535 x 210 x 360	535 x 210 x 360
Poids	lbs (kg)	77 (35)	77 (35)	77 (35)	77 (35)	77 (35)	77 (35)
Classe de protection		IP 22	IP 22	IP 22	IP 22	IP 22	IP 22
Type de connecteur		CEE 32 A	CEE 32 A	CEE 32 A	CEE 32 A	CEE 32 A	CEE 32 A
Courant de charge	A	200	200	200	200	200	200
Puissance	kW	13,3	13,3	13,3	13,3	13,3	13,3
<b>Conditions ambiantes</b>							
Température ambiante maximale	°F (°C)	104 (40)	104 (40)	104 (40)	104 (40)	104 (40)	104 (40)
Température ambiante minimale	°F (°C)	41 (5)	41 (5)	41 (5)	41 (5)	41 (5)	41 (5)
Température maximale de l'eau	°F (°C)	140 (60)	140 (60)	140 (60)	140 (60)	140 (60)	140 (60)
<b>Inclinaison</b>							
Inclinaison maximale (pour le transport)	%	15	10	15	10	15	10
Inclinaison maximale (en mode brosse)	%	15	10	15	10	15	10
Pente maximale de courte durée avec conducteur et réservoirs d'eau sale et propre vide (max. 10 m)	%	25	18	25	18	25	18
<b>Valeurs déterminées selon EN 60335-2-72</b>							
Valeur totale des vibrations	m/s <sup>2</sup>	≤ 2.5	≤ 2.5	≤ 2.5	≤ 2.5	≤ 2.5	≤ 2.5
Valeur totale des vibrations des bras	m/s <sup>2</sup>	≤ 2.5	≤ 2.5	≤ 2.5	≤ 2.5	≤ 2.5	≤ 2.5
Niveau de vibrations main-bras, manque de fiabilité K	m/s <sup>2</sup>	≤ 2.5	≤ 2.5	≤ 2.5	≤ 2.5	≤ 2.5	≤ 2.5
Valeur totale des vibrations de l'assise	m/s <sup>2</sup>	≤ 0.5	≤ 0.5	≤ 0.5	≤ 0.5	≤ 0.5	≤ 0.5
Niveau de vibration du siège, manque de fiabilité K	m/s <sup>2</sup>	≤ 0.5	≤ 0.5	≤ 0.5	≤ 0.5	≤ 0.5	≤ 0.5
Niveau de pression acoustique	dB(A)	73	74	73	74	73	74
Incertitude K <sub>pA</sub>	dB(A)	3	3	3	3	3	3
Niveau de pression acoustique L <sub>WA</sub> + Incertitude K <sub>WA</sub>	dB(A)	94	94	94	94	94	94
Classe de protection		IPX3	IPX3	IPX3	IPX3	IPX3	IPX3
<b>Brosse de lavage latérale</b>							
Puissance	W	260	---	---	---	260	---
Pression d'appui	lbs (kg)	21.3 (9.7)	---	---	---	21.3 (9.7)	---
Pression d'appui	N/mm <sup>2</sup>	0.00239	---	---	---	0.00239	---

Sous réserve de modifications techniques.

## Índice de contenidos

INSTRUCCIONES DE SEGURIDAD IMPORTANTES.....	70
CUALIFICACIÓN DE LOS OPERARIOS.....	71
FORMACIÓN DE LOS OPERARIOS.....	71
PRUEBA, NUEVA FORMACIÓN Y USO.....	72
NORMAS Y PRÁCTICAS DE LA SEGURIDAD OPERACIONAL.....	72
ACTIVIDADES DE MANTENIMIENTO Y RESTAURACIÓN.....	73
NORMA DE SEGURIDAD CONTRA INCENDIOS.....	74
Servicio al cliente.....	75
Avisos generales.....	75
Funcionamiento.....	75
Uso previsto.....	75
Protección del medioambiente.....	76
Garantía.....	76
Accesorios y repuestos.....	76
Alcance de suministro.....	76
Instrucciones de seguridad.....	76
Descripción del equipo.....	78
Montaje.....	80
Funcionamiento.....	84
Finalización del servicio.....	88
Intelligent Key gris.....	89
Intelligent Key amarilla.....	91
Intelligent Key blanca.....	91
Transporte.....	92
Almacenamiento.....	92
Conservación y mantenimiento.....	92
Ayuda en caso de fallos.....	98
Datos técnicos.....	102

## INSTRUCCIONES DE SEGURIDAD IMPORTANTES

Al utilizar el equipo, deben tenerse en cuenta todas las precauciones básicas de seguridad, entre las que se incluyen las siguientes:

# LEA TODAS LAS INSTRUCCIONES ANTES DE UTILIZAR ESTA MÁQUINA

## ⚠ ADVERTENCIA

- Peligro de choques eléctricos, incendios o lesiones
- No dejar el equipo sin supervisión si el conector está conectado.
- Desenchufar cuando no esté en uso y antes de revisar.
- Utilice el equipo solo en interiores.
- El equipo no es un juguete. Es necesario prestar especial atención si utiliza el equipo en presencia de niños.
- Usar exclusivamente como se describe en este manual. Utilice únicamente el accesorio recomendado por el fabricante.
- No lo utilice si el enchufe o el cable de la salida del cargador de baterías están dañados. En caso de que el dispositivo no funcione correctamente, de que se haya caído, estropeado, dejado al aire libre o se haya sumergido en agua, el servicio de postventa debe realizar comprobaciones en el equipo antes de utilizarlo.
- No tire del cable de carga del cargador, y no lo utilice como asa para transportar el equipo, no comprima el cable de carga del cargador en una puerta ni lo arrastre por bordes o esquinas afilados. No pase el equipo por encima del cable de carga del cargador. Mantenga el cable del cargador alejado de superficies calientes.

- No desconecte el cargador de la toma de corriente tirando del cable de carga del cargador. Desconecte el aparato de la red eléctrica tirando del enchufe.
- No toque el cargador ni el equipo si tiene las manos mojadas.
- Nunca inserte objetos en las aberturas del equipo. No utilice el equipo si las aberturas están bloqueadas. Mantenga las aberturas libres de pelusas, pelos y polvo, así como todo lo que obstaculice el flujo de aire.
- Desconecte el equipo antes de desenchufar el conector de red.
- Mantenga el cabello, la ropa suelta, los dedos y todas las partes del cuerpo lejos de aberturas y partes móviles.
- Tenga cuidado al utilizar el equipo en escaleras.
- No utilice el equipo para recoger líquidos inflamables o combustibles, como gasolina, ni utilice el equipo en zonas donde pueda haber líquidos.
- Conecte el equipo únicamente a una toma de corriente debidamente puesta a tierra (véase el capítulo *Normas de puesta a tierra*).

## CUIDADO

- Este equipo cumple con la sección 15 de las normas de la FCC y con la licencia de Industry Canada, salvo la norma RSS. El servicio se lleva a cabo bajo las siguientes dos condiciones:
  - 1 Este equipo no debe causar interferencias perjudiciales.
  - 2 Este equipo debe poder aceptar cualquier interferencia recibida, incluso las que puedan causar un servicio no deseado.

## CUIDADO

- Los cambios o modificaciones al equipo que no hayan sido aprobados expresamente por KÄRCHER anularán la aprobación de la FCC para el funcionamiento de este equipo.

## Nota

- Este equipo ha sido probado y cumple con los valores límite para un equipo digital de clase B, de acuerdo con la sección 15 de las normas de la FCC.
- Estos valores límite están diseñados para ofrecer una protección adecuada contra interferencias perjudiciales en áreas residenciales.
- Este equipamiento genera, usa y puede irradiar corriente de alta frecuencia. Si no se instala y utiliza de acuerdo con las instrucciones, el equipo puede causar interferencias perjudiciales en la radiocomunicación.
- Sin embargo, no existe garantía de que no se vayan a producir interferencias en determinadas aplicaciones.
- Si el equipo causa una interferencia perjudicial en la recepción de radio o televisión, lo cual se puede determinar encendiendo y apagando el equipo, le recomendamos que corrija la interferencia mediante una o varias de las siguientes medidas:
  - Cambie la orientación o ubicación de la antena receptora.
  - Aumente la separación que existe entre el equipo y el receptor.
  - Conecte el equipo a una toma de corriente de un circuito diferente al que está conectado el receptor.

- Póngase en contacto con un distribuidor de una tienda especializada o con un técnico de radio o televisión con experiencia.

## GUARDAR ESTAS INSTRUCCIONES

### Normas de puesta a tierra

- Este equipo debe ponerse a tierra. Si se produce una avería o una caída, la puesta a tierra ofrece un camino de menor resistencia para la corriente eléctrica, para disminuir el peligro de choques eléctricos.
- Este equipo está equipado con un cable de conexión de red con conductor de tierra y un conector Schuko.
- El conector debe estar conectado a una toma de tierra adecuada que esté instalada y puesta a tierra correctamente conforme a todas las normativas locales.

### ⚠ ADVERTENCIA

- Una conexión indebida del conductor de tierra del equipo puede provocar peligro de choques eléctricos.
- Ponerse en contacto con un electricista o un representante del servicio de postventa si hay dudas sobre como poner a tierra correctamente la toma de corriente.
- No modifique el enchufe suministrado del aparato.
- Si el conector no coincide con la toma de corriente, el electricista debe instalar una toma de corriente adecuada.
- Este equipo está aprobado para su uso en un circuito de 120 V y cuenta con un conector como el que se muestra en la figura A.
- Asegúrese de que el equipo esté enchufado a una toma de corriente que tenga la misma configuración que el conector.
- No utilice adaptadores con este equipo.

### CONECTAR EL EQUIPO ÚNICAMENTE A UNA TOMA DE CORRIENTE PUESTA A TIERRA DEBIDAMENTE

- ① Toma de corriente con puesta a tierra
- ② Carcasa de la toma de corriente con puesta a tierra
- ③ Clavija de tierra

### CUALIFICACIÓN DE LOS OPERARIOS

Solo las personas capacitadas y autorizadas pueden manejar el limpiador de suelos eléctrico. Los operarios que utilicen limpiadores de suelos eléctricos deben estar calificados y contar con capacidades visuales, acústicas, físicas y mentales para manejar el equipo de manera segura.

### FORMACIÓN DE LOS OPERARIOS

El personal que no cuente con formación sobre el servicio de limpiadores de suelos eléctricos solo podrá manejar un limpiador de suelos con fines de formación y bajo la supervisión directa del formador. Esta formación debe realizarse en una zona alejada de otros camiones, obstáculos y peatones.

El programa de formación de operarios debe abordar la directiva para usuarios del lugar donde el aprendiz manejará el limpiador de suelos, las condiciones de funcionamiento de ese lugar y el limpiador de suelos específico que manejará el aprendiz. El programa de formación debe presentarse a todos los operarios nuevos independientemente de su experiencia previa.

La formación debe informar al aprendiz sobre los siguientes puntos:

- 1 La responsabilidad principal del operario es usar el limpiador de suelos eléctrico de manera segura, de acuerdo con las instrucciones de empleo que se indican en el programa de formación.
- 2 El servicio inseguro o incorrecto de un limpiador de suelos eléctrico puede tener las siguientes consecuencias: Muerte o lesiones graves al operario u otras personas; daño al limpiador de suelos eléctrico u otros objetos.

El programa de formación debe destacar el servicio seguro y adecuado para impedir lesiones al operario y a otras personas, así como para evitar daños materiales, y debe cubrir los siguientes temas:

- 1 Los conceptos básicos de los limpiadores de suelos eléctricos que utilizará el aprendiz:
  - Las características de los limpiadores de suelos eléctricos, incluidas las diferencias entre los limpiadores de suelos eléctricos en el lugar de trabajo.
  - Las similitudes y diferencias con los automóviles.
  - El significado de los datos de la placa de características, avisos e instrucciones de empleo colocados sobre el limpiador de suelos eléctrico.
  - El manual y las advertencias del manual del limpiador de suelos eléctrico y las instrucciones de empleo para la inspección y el mantenimiento que debe realizar el operario.
  - El tipo de motor y sus propiedades.
  - El método de dirección.
  - El método de frenado y sus características.
  - La visibilidad hacia delante y hacia atrás.
  - Las características de estabilidad con y sin carga, y con y sin accesorios.
  - Las posiciones de los elementos de control, la función, el tipo de servicio, la identificación de símbolos.
  - La carga de la batería.
  - Los dispositivos de protección para el limpiador de suelos eléctrico específico que se pueden desactivar y los que no se pueden desactivar.
  - Otras propiedades del limpiador de suelos eléctrico específico.
- 2 El entorno de funcionamiento y sus efectos sobre el servicio del limpiador de suelos eléctrico, incluidos los siguientes puntos:
  - Las condiciones del suelo, incluso las condiciones temporales.
  - Rampas y pendientes.
  - Las estaciones de carga de baterías.
  - Pasillos estrechos, puertas, cables aéreos, tuberías sobre el suelo y otras zonas con espacio limitado.
  - Las zonas en las que se va a manejar el limpiador de suelos eléctrico cerca de otros vehículos industriales, otros vehículos o peatones.
  - El uso y la capacidad de los elevadores.
  - El servicio cerca de rampas de carga o bordes de superficies mejoradas.
  - Otras condiciones de funcionamiento especiales y peligros que puedan surgir.
- 3 El funcionamiento del limpiador de suelos eléctrico incluye los siguientes puntos:
  - Las pruebas adecuadas antes de cada puesta en funcionamiento y la puesta fuera de servicio autorizada de un limpiador de suelos eléctrico que necesite reparación.
  - La conducción y la conducción en curvas.

- El procedimiento de estacionamiento y apagado.
  - Otras condiciones de funcionamiento especiales para la aplicación específica.
- 4 Las reglas y prácticas de seguridad operacional, incluidas las siguientes:
- Las condiciones de esta norma contenidas en el capítulo. **NORMAS Y PRÁCTICAS DE LA SEGURIDAD OPERACIONAL**
  - Otras normas, instrucciones o prácticas del empleador en el lugar donde se usa el limpiador de suelos eléctrico.
- 5 La práctica de formación de la empresa, que incluye los siguientes puntos:
- Si es posible, se debe practicar el uso del limpiador de suelos eléctrico en una zona que esté separada de otras actividades o del personal del lugar de trabajo.
  - La práctica de formación se llevará a cabo bajo la supervisión del formador.
  - La práctica de formación debe incluir el servicio real o la ejecución simulada de todas las tareas de la empresa, como maniobrar, conducir, detenerse, arrancar y otras actividades en las condiciones que se encuentran al manejar el limpiador de suelos eléctrico.

## PRUEBA, NUEVA FORMACIÓN Y USO

- 1 Durante la formación, el empleador debe realizar pruebas de rendimiento y pruebas orales o escritas para medir las habilidades y los conocimientos con los que cuenta el operario a la hora de cumplir con los requisitos de la norma. Los empleadores pueden delegar la realización de tales pruebas a terceros, pero siguen siendo responsables de las mismas. Se realizarán los registros correspondientes.
- 2 Los operarios deben recibir formación nuevamente cuando se introducen nuevos equipos, cuando se actualizan los equipos existentes, cuando se cambian las condiciones de funcionamiento o cuando el rendimiento de un operario no es satisfactorio.
- 3 El usuario es responsable de garantizar el uso seguro del limpiador de suelos eléctrico de acuerdo con las condiciones de esta norma.

## Nota

La información sobre la formación del operario se puede obtener de diversas fuentes, como por ejemplo: fabricantes de limpiadores de suelos eléctricos, autoridades gubernamentales que se ocupan de la seguridad de los empleados, asociaciones profesionales de vehículos industriales, organizaciones públicas y privadas y asesores de seguridad.

## NORMAS Y PRÁCTICAS DE LA SEGURIDAD OPERACIONAL

### Responsabilidad del operario

El servicio seguro es responsabilidad del operario.

El operario debe desarrollar hábitos de trabajo seguros y ser consciente de las condiciones peligrosas para protegerse a sí mismo, al resto del personal, al limpiador de suelos eléctrico y al resto del material.

El operario debe familiarizarse con el funcionamiento y la función de todos los elementos de control e instrumentos antes de ocuparse del servicio del equipo.

Antes de manejar el equipo, los operarios deben leer y familiarizarse con el manual de cada equipo y deben respe-

tar las reglas y prácticas de seguridad que se especifican en los siguientes párrafos.

Antes de manejar cualquier equipo, el operario debe estar familiarizado con las condiciones de funcionamiento inusuales que pueden requerir precauciones de seguridad adicionales, así como con las o instrucciones de uso especiales.

### Generalidades

Antes de la puesta en funcionamiento del limpiador de suelos eléctrico:

- 1 Parta de la posición de servicio.
- 2 Coloque el controlador de dirección en posición neutra.
- 3 Accione el freno.
- 4 Coloque el interruptor en posición «ON».

No arranque el equipo ni maneje el equipo, sus funciones o accesorios desde una ubicación que no sea la posición especificada para el operario.

Mantenga las manos y los pies dentro de la zona designada para el operario o en el compartimiento del equipo.

Debe comprender las limitaciones del equipo y utilizar el equipo de forma segura para no causar lesiones al personal. Proteja a los peatones en todo momento.

- 1 No conduzca el limpiador de suelos eléctrico hacia personas que se encuentren frente a un objeto.
- 2 Antes de realizar maniobras de giro, asegúrese de que el personal se mantiene alejado del alcance de giro trasero.
- 3 Se requiere especial precaución en los cruces entre pasillos, puertas y otros lugares donde los peatones pueden interponerse en el camino del limpiador de suelos eléctrico.

No permita que los pasajeros conduzcan con limpiadores de suelos eléctricos a menos que el fabricante haya proporcionado un lugar seguro para ello.

Un limpiador de suelos eléctrico se puede supervisar siempre que el operario se encuentre en un rango visual del equipo inferior a 7,6 m (25 ft).

El limpiador de suelos eléctrico no podrá supervisarse si el operario se encuentra en un rango visual superior a los 7,6 m (25 ft) del equipo o si el operario abandona el equipo y no se encuentra dentro del rango visual.

Antes de abandonar la posición del vehículo:

- 1 Coloque el equipo en parada.
- 2 Coloque el controlador de dirección en posición neutra.
- 3 Accione el freno de estacionamiento.
- 4 Desconecte el motor o el control.
- 5 Si el equipo debe permanecer en una inclinación, se deben bloquear las ruedas.

Mantener la distancia de seguridad con respecto al borde de las rampas, a las plataformas y a superficies de trabajo similares.

Si se conducen limpiadores de suelos eléctricos sobre o desde camiones o remolques de largo recorrido, accione los frenos de los camiones o remolques y use cuñas para ruedas u otros dispositivos mecánicos seguros para evitar el movimiento involuntario del camión o del remolque.

Siempre que se suban y bajen limpiadores de suelos eléctricos a semirremolques que no están acoplados a un tractor, es posible que se requieran soportes para evitar que las esquinas se inclinen o se hundan.

Asegúrese de no tocar ninguna instalación aérea como luces, cables, tuberías, sistemas de aspersores, etc.

Informe al supervisor sobre todos los accidentes que involucren al personal, a las estructuras del edificio y el equipo, o de conformidad con las instrucciones que se le hayan dado.

No utilice accesorios ni realice modificaciones al equipo. No bloquee el acceso a las rutas de escape, a las escaleras o a los extintores.

### **Circulación**

Respete todas las normas de tráfico, incluidos los límites de velocidad permitidos. En condiciones normales de tráfico, conduzca por la derecha. Mantenga la distancia de seguridad con el equipo que se encuentra delante en función de la velocidad de conducción y mantenga el equipo bajo control en todo momento.

Ceda el paso a los peatones y a los vehículos de emergencia, como ambulancias y camiones de bomberos. No adelante a otro camión en intersecciones, puntos ciegos u otros lugares peligrosos.

En las intersecciones de pasillos y otros lugares donde disminuye la visibilidad, reduzca la velocidad de conducción y haga sonar el dispositivo de advertencia acústica. Si es posible, cruce las vías del ferrocarril en ángulo. No estacione en zonas que se encuentren a menos de 1800 mm (6 ft) del raíl más cercano de una línea de ferrocarril.

Para subir y bajar pendientes, proceda con precaución. Si es posible, evite girar y tenga mucho cuidado en suelos inclinados, rampas o pendientes; conduzca en línea recta, con normalidad, para acercarse y alejarse.

Mantenga una buena visibilidad de la ruta y preste atención al tráfico, al personal y a las distancias de seguridad. Maneje el equipo en condiciones de conducción a una velocidad que permita detenerlo de forma segura.

Cuando arranque, detenga, gire o cambie el sentido del equipo, hágalo de manera suave para no mover la carga o hacer volcar el limpiador de suelos eléctrico.

No haga acrobacias ni cometa temeridades.

Reduzca la velocidad de conducción en suelos mojados y resbaladizos.

Antes de pasar sobre una rejilla o la superficie de un puente, asegúrese de que estas superficies están aseguradas correctamente. Conduzca con cuidado y lentamente sobre la rejilla o la superficie del puente y nunca exceda la capacidad de carga.

No conduzca el limpiador de suelos eléctrico en un ascensor a menos que esté expresamente autorizado. Acérquese lentamente al ascensor y, a continuación, suba a la cabina del ascensor cuando esta se haya nivelado correctamente. Tan pronto como esté en el ascensor, coloque los elementos de control en punto muerto, apague la corriente y aplique los frenos. Es aconsejable que todas las demás personas se bajen del ascensor antes de entrar o salir con el limpiador de suelos eléctrico.

Al tomar una curva, reduzca la velocidad a un nivel seguro que sea compatible con el entorno operativo. Toma las curvas con cuidado. Excepto cuando maniobre a muy baja velocidad, gire el mecanismo de dirección de manera moderada y uniforme.

El servicio de un limpiador de suelos eléctrico requiere aspectos de seguridad especiales como los siguientes:

1 Un limpiador de suelos eléctrico puede volcar si el operario no reduce la velocidad a una velocidad segura antes de tomar una curva. A continuación, se presentan algunas señales que indican que un camión se está

conduciendo a una velocidad excesiva durante las maniobras de viraje:

- Los neumáticos patinan.
- Se pierde el control del equipo.
- Las ruedas se despegan del suelo.
- Hay que sujetar firmemente el volante para no resbalar del asiento.

2 En las siguientes condiciones, o en una combinación de las mismas, aumenta el riesgo de vuelco:

- Conducir sobre una superficie irregular.
- Conducir a velocidad excesiva.

3 Es posible volcar hacia adelante. Las probabilidades aumentan bajo las siguientes condiciones o bajo una combinación de las mismas:

- El operario debe permanecer con limpiador de suelos eléctrico si se cae de una rampa o de rampa de carga. El operario debe agarrarse con fuerza y alejarse del punto de impacto.
- Si el entorno presenta un peligro grave o existen otras condiciones de funcionamiento inusuales, puede que el usuario necesite tomar precauciones de seguridad diferentes o adicionales e instrucciones de funcionamiento especiales apropiadas para esas condiciones.

### **Conservación del equipo por parte del operario**

Al comienzo de cada turno y antes de operar el limpiador de suelos motorizado, se debe comprobar su estado, para lo que se deberá prestar especial atención a lo siguiente:

- Estado de los neumáticos
- Comprobar la presión de los neumáticos
- Dispositivos de seguridad y de advertencia
- Iluminación
- Batería
- Control
- Sistemas de elevación e inclinación
- Cadenas y cables
- Interruptor final
- Frenos
- Mecanismo de dirección
- Objetos adicionales o equipamiento especial según lo especificado por el usuario o el fabricante

Si se determina que el equipo necesita reparación o que de alguna manera es inseguro o contribuye a una condición insegura, se debe informar de inmediato a la autoridad designada por el usuario y no se debe manejar el equipo hasta que se encuentre de nuevo en un estado de servicio seguro.

Si, por cualquier motivo, el equipo se vuelve inseguro durante el servicio, se debe informar de inmediato a la autoridad designada por el usuario y no se debe manejar el equipo hasta que se encuentre de nuevo en un estado de servicio seguro.

No realice ninguna reparación o ajuste a menos que esté expresamente autorizado.

No use llamas abiertas para verificar el nivel de electrolito en las baterías.

### **ACTIVIDADES DE MANTENIMIENTO Y RESTAURACIÓN**

Poner en servicio el equipo puede resultar peligroso si se descuida el mantenimiento o si no se realizan las reparaciones, modificaciones o ajustes de acuerdo con los criterios de diseño del fabricante. Por lo tanto, se debe contar con dispositivos de mantenimiento (en las instalaciones o

en el exterior), personal capacitado y procedimientos detallados.

Los manuales de piezas y los manuales de mantenimiento se los puede proporcionar el fabricante del limpiador de suelos eléctrico.

En casos inusuales que no se traten en los manuales anteriores, comuníquese con el fabricante del limpiador de suelos eléctrico. El mantenimiento y la inspección del equipo deben realizarse de acuerdo con las siguientes prácticas:

- 1 Debe respetarse un sistema programado de mantenimiento, lubricación e inspección. Se deben consultar las recomendaciones del fabricante.
- 2 Solo el personal capacitado y autorizado puede mantener, reparar, ajustar e inspeccionar el equipo de acuerdo con las instrucciones del fabricante.

Al levantar los limpiadores de suelos eléctricos para su reparación o para su inspección, los equipos deben levantarse de manera segura y estable. La extracción de componentes como contrapesos o postes cambiará el centro de gravedad y puede provocar un estado inestable. Antes de comenzar la inspección y reparación del limpiador de suelos eléctrico:

- 1 Levante las ruedas motrices del suelo, desconecte la batería y use cuñas para las ruedas u otra instalación de posicionamiento segura para el camión.
- 2 Bloquee el chasis antes de trabajar en él.
- 3 Desconecte la batería antes de trabajar en el sistema eléctrico.
- 4 El conector de carga solo puede conectarse a la conexión de la batería y nunca al conector del equipo.

El servicio del limpiador de suelos eléctrico para probar la potencia debe realizarse en una zona aprobada en la que se disponga de una distancia segura.

- 1 Antes de iniciar el equipo:
  - Parta de la posición de servicio.
  - Accione el freno.
  - Coloque el controlador de dirección en posición neutra.
  - Coloque el interruptor en posición «ON».
  - Compruebe el funcionamiento de los sistemas de elevación e inclinación, del mecanismo de dirección, de los equipos de advertencia y de los frenos.
- 2 Antes de abandonar la unidad:
  - Detenga el equipo.
  - Coloque el controlador de dirección en posición neutra.
  - Accione el freno de estacionamiento.
  - Desconecte el motor o el control.
  - Desconecte circuito de control.
  - Si el equipo debe permanecer en una inclinación, se deben bloquear las ruedas.

Evite el peligro de incendio y tenga a mano equipo de protección contra incendios en la zona de trabajo. No utilice una llama abierta para comprobar el nivel de llenado de líquido, especialmente de los electrolitos de la batería. No utilice recipientes abiertos de combustible o líquidos de limpieza inflamables para limpiar las piezas.

Ventile adecuadamente la zona de trabajo, purgue los gases de escape y mantenga el taller limpio y seco.

Los frenos, los mecanismos de dirección, los mecanismos de control, los equipos de advertencia, la iluminación, los reguladores, los dispositivos de seguridad y de protección,

los topes de los ejes articulados y las piezas del bastidor se deben supervisar de manera cuidadosa y con regularidad y se deben mantener en un estado de servicio seguro.

## NORMA DE SEGURIDAD CONTRA INCENDIOS

Los equipos que no se encuentran en un estado de servicio seguro deben ponerse fuera de servicio.

Las reparaciones no deben realizarse en ubicaciones de clase I, clase II y clase III.

Las reparaciones del sistema eléctrico de los limpiadores de suelos que funcionan con baterías solo deben realizarse después de desconectar la batería.

**Temperatura de servicio.** Si se determina que alguna pieza de un limpiador de suelos eléctrico está por encima de su temperatura de servicio normal y representa un peligro, el vehículo debe ponerse fuera de servicio y no volver a arrancar hasta que se haya eliminado la causa que produce ese sobrecalentamiento.

**Protección contra incendios.** El equipo debe mantenerse limpio y razonablemente libre de pelusa, exceso de aceite y grasa. Se prefieren agentes no inflamables para limpiar el equipo. No se permiten líquidos inflamables (con puntos de inflamación de 37,8 °C [100 °F] o superiores). Las precauciones relativas a la toxicidad, la ventilación y el peligro de incendio deben ser las apropiadas para el agente o disolvente utilizado.

**Visibilidad de la placa de características.** Las identificaciones del modelo del equipo indicadas en la placa de características y en las marcas de modelo no se deben pintar para cubrir su información de identificación.

**Cambio y carga de las baterías.** Esta sección se aplica a las baterías utilizadas en camiones eléctricos. Los dos tipos de baterías son generalmente baterías de plomo y níquel-hierro. Contienen soluciones químicas corrosivas, ya sean ácidas o alcalinas, por lo que representan un peligro químico. Durante la carga, emiten hidrógeno y oxígeno, sustancias explosivas en determinadas concentraciones. Los sistemas de carga de baterías deben colocarse en zonas designadas; estas zonas deben mantenerse libres de materias extrañas combustibles.

Deben proporcionarse dispositivos para:

- 1 El enjuague del electrolito derramado.
- 2 La protección contra incendios.
- 3 La protección de los cargadores frente a daños causados por los camiones.
- 4 La ventilación adecuada para dispersar los humos de las baterías de gas.

Si se utilizan cargadores de a bordo, la carga debe realizarse en los lugares designados, conforme a los requisitos eléctricos del cargador y los dispositivos de protección contra incendios.

*Excepción: No se requieren dispositivos de limpieza si la carga se realiza sin quitar la batería del vehículo.*

Al manipular concentrados de ácido con más del 50 por ciento de ácido (peso específico por encima de 1400), se debe contar con un lavaojos.

Se debe contar con una cinta transportadora, una grúa o un equipo de manipulación de materiales equivalente para manipular las baterías. Los polipastos de cadena deben estar equipados con contenedores de cadena de carga. Cuando se utiliza una cuerda manual, las baterías descubiertas deben cubrirse con un tablero contrachapado u otro material no conductor para evitar que la cadena ma-

nual se cortocircuite en las conexiones o terminales de las células. Se debe usar una barra de separación debidamente aislada con cada grúa.

Las baterías reinstaladas o las baterías nuevas deben cumplir o superar el tipo de batería especificado para el equipo. Las baterías recién introducidas deben colocarse y asegurarse correctamente en el equipo.

Si se usa ácido en garrafas, se debe contar con un volcador de garrafas o con un sifón. Cuando el ácido sulfúrico concentrado se diluye en el electrolito, el ácido debe agregarse SIEMPRE al agua, y no al revés. El personal de mantenimiento de la batería debe usar ropa protectora, como protección para los ojos, mangas largas y guantes. *Excepción: No se requiere ropa protectora para quitar y sustituir las baterías.*

Las instalaciones eléctricas deben cumplir con la norma NFPA 70, las normas eléctricas nacionales y toda la normativa local.

El personal capacitado y autorizado debe cambiar o cargar las baterías.

El limpiador de suelos eléctrico debe estar colocado correctamente y los frenos deben estar accionados antes de intentar cambiar o recargar las baterías.

Al cargar las baterías, las tapas de ventilación deben permanecer en su lugar para evitar que el electrolito salpique. Asegúrese de que funcionen las tapas de ventilación. Las tapas de la batería (o del compartimento) deben estar abiertas para que se disipe el calor y el gas.

Está prohibido fumar en la zona de carga.

Se deben tomar precauciones para evitar llamas abiertas, chispas o arcos eléctricos en las zonas de carga de la batería.

Las herramientas y otros objetos metálicos deben mantenerse alejados de las tapas de las baterías descubiertas. El equipo no se debe usar en zonas clasificadas.

## Servicio al cliente

### Registro

Su dispositivo debe estar registrado para poder ayudarle con cualquier pregunta o problema que tenga. Puede registrar su dispositivo en [www.karcher-register.com](http://www.karcher-register.com) si se encuentra en EE. UU., en [www.karcher.com/ca](http://www.karcher.com/ca) si se encuentra en Canadá, o en [www.karcher.com/mx](http://www.karcher.com/mx) si se encuentra en México.

### Garantía

Si tiene una reclamación de garantía, puede contactar al servicio de atención al cliente. Consulte la información de contacto que se indica a continuación para EE.UU., Canadá o México. DEBE proporcionar su comprobante de compra para presentar una reclamación de garantía por correo electrónico, teléfono o fax.

### Servicio al cliente en EE. UU.

Puede comunicarse con nuestro departamento de Atención al Cliente por teléfono al **1-800-537-4129** o en la página web [www.karcher-help.com](http://www.karcher-help.com).

### Servicio al cliente en México

Puede comunicarse con nuestro departamento de Atención al Cliente por teléfono al **01-800-024-13-13** o en la página web [www.karcher.com/mx](http://www.karcher.com/mx).



## Atención al cliente en Canadá

Puede comunicarse con nuestro departamento de Atención al Cliente por teléfono al **1-800-465-4980** o en la página web [www.karcher.com/ca/support](http://www.karcher.com/ca/support).

## Cobertura de la entrega

La cobertura de la entrega del aparato se indica en el embalaje. Al desempaquetarlo, compruebe que el contenido esté completo. Si falta algún accesorio o si se produce algún daño durante el transporte, notifique a nuestro departamento de Atención al Cliente tal como se ha indicado anteriormente por teléfono o en la página web.

## Avisos generales

  Antes de poner en marcha por primera vez el equipo, lea este manual de instrucciones y las instrucciones de seguridad adjuntas. Actúe conforme a estos documentos.

Conserve estos dos manuales para su uso posterior o para propietarios ulteriores.

## Funcionamiento

La presente fregadora aspiradora sirve para limpiar en húmedo o para pulir suelos llanos.

En la variante Combo, el equipo recoge la suciedad suelta a través de un equipo de barrido antes de la limpieza.

El equipo puede adaptarse a la tarea de limpieza correspondiente mediante el ajuste de la cantidad de agua, la presión de empuje, la velocidad de rotación de cepillos, el volumen de detergente y la velocidad de conducción.

Una anchura de trabajo de 1000 mm o 1200 mm y los depósitos de agua limpia y de agua sucia con una capacidad de 260 l permiten llevar a cabo una limpieza efectiva en aplicaciones prolongadas.

El equipo tiene un motor, el motor de tracción funciona con una batería de tracción.

**Con variante de batería de plomo:** Las baterías pueden cargarse mediante un cargador en una toma de corriente de 230 V.

**Con variante de batería de iones de litio:** Las baterías pueden cargarse mediante un cargador en una toma de corriente de 400 V.

La batería y el cargador ya se suministran con las variantes del paquete.

## Nota

El equipo puede equiparse con diferentes accesorios en función de la tarea de limpieza en cuestión. Solicite nuestro catálogo o visítenos en internet en la página [www.karcher.com](http://www.karcher.com).

## Uso previsto

Este equipo es adecuado para el uso comercial e industrial, por ejemplo, naves logísticas, fábricas, instalaciones industriales, aparcamientos, ferias y comercios. Usar este equipo únicamente de conformidad con las indicaciones de este manual de instrucciones.

- El equipo solo puede usarse para la limpieza de suelos resistentes a la humedad y al pulido.
- El equipo es adecuado para la limpieza de suelos interiores o zonas cubiertas. Para otras aplicaciones, se debe comprobar el uso de cepillos alternativos o el uso del equipo de barrido.
- El margen de temperaturas de servicio está comprendido entre los +5 °C y los +40 °C.

- El equipo no es apto para la limpieza de suelos congelados (p. ej., en almacenes frigoríficos).
- Con la variante Combo: el equipo puede sobrepasar los niveles hasta un máximo de 2 cm.
- El equipo no se debe usar sin el filtro de pelusas en el depósito de agua sucia.
- El equipo no está diseñado para limpiar vías de comunicación públicas.
- El equipo no debe usarse en suelos sensibles a la presión. Tener en cuenta la carga por unidad de superficie permitida del suelo. La carga por unidad de superficie por el equipo se especifica en los *Datos técnicos*.
- El equipo solo puede equiparse con accesorios y recambios originales.
- El equipo no es apto para su uso en entornos potencialmente explosivos.
- No se deben succionar gases inflamables, ácidos o disolventes no diluidos con el equipo. Entre ellos se encuentran la gasolina, el disolvente de pintura o el aceite de calefacción, que pueden formar mezclas explosivas al arremolinarse con el aire de aspiración. Tampoco utilice acetona, ácidos sin diluir y disolventes, ya que pueden dañar los materiales utilizados en el equipo.

### Protección del medioambiente



Los materiales de embalaje son reciclables. Eliminar los embalajes de forma respetuosa con el medioambiente.



Los equipos eléctricos y electrónicos contienen materiales reciclables y, a menudo, componentes, como baterías, acumuladores o aceite, que suponen un peligro potencial para la salud de las personas o el medio ambiente en caso de manipularse o eliminarse de forma inadecuada. Sin embargo, dichos componentes son necesarios para un funcionamiento adecuado del equipo. Los equipos identificados con este símbolo no pueden eliminarse con la basura doméstica.

### Avisos sobre sustancias contenidas (REACH)

Encontrará información actualizada sobre las sustancias contenidas en: [www.kaercher.de/REACH](http://www.kaercher.de/REACH)

### Garantía

En cada país se aplican las condiciones de garantía indicadas por nuestra compañía distribuidora autorizada. Subsanamos cualquier fallo en su equipo de forma gratuita dentro del plazo de garantía siempre que la causa se deba a un fallo de fabricación o material. En caso de garantía, póngase en contacto con su distribuidor o con el servicio de posventa autorizado más próximo presentando la factura de compra.

(Dirección en el reverso)

Encontrará más información sobre la garantía (si está disponible) en el área de servicio de su página web local de KÄRCHER en "Downloads".

### Accesorios y repuestos

Utilice únicamente accesorios y repuestos originales, estos garantizan un servicio seguro y fiable del equipo. Encontrará información sobre los accesorios y repuestos en [www.kaercher.com](http://www.kaercher.com).

### Alcance de suministro

Compruebe la integridad del alcance de suministro durante el desembalaje. Póngase en contacto con su distribuidor si faltan accesorios o en caso de daños de transporte.

### Instrucciones de seguridad

Antes de utilizar por primera vez el equipo, lea y tenga en cuenta el presente manual de instrucciones y el folleto adjunto relativo a las instrucciones de seguridad para equipos de limpieza con cepillos, n.º 5.956-251.0, y respételas.

El equipo está autorizado para su uso sobre superficies con una pendiente limitada (véase el capítulo "Datos técnicos").

## ⚠ ADVERTENCIA

### El equipo puede volcarse

Peligro de lesiones

Utilice el equipo únicamente en superficies que no superen la pendiente permitida (véase el capítulo "Datos técnicos").

## ⚠ ADVERTENCIA

### Peligro de accidentes por un manejo incorrecto

Las personas pueden lesionarse.

Los operarios deben estar instruidos de forma adecuada sobre el uso del equipo.

El equipo solo debe utilizarse cuando todas las cubiertas y tapas están cerradas.

### Indicaciones relativas a la batería (acumulador) y el cargador

La versión de iones de litio lleva incorporadas baterías de iones de litio. Estas están sujetas a criterios especiales. El desmontaje y el montaje, así como la prueba de las baterías defectuosas, solo pueden ser realizados por el servicio de postventa de Kärcher o por personal especialista. Para obtener avisos sobre el almacenamiento y el transporte, póngase en contacto con su servicio de postventa de Kärcher.

## ⚠ PELIGRO

No se permite realizar modificaciones ni alteraciones al equipo.

No debe abrir la batería, ya que hay peligro de cortocircuito. Además, pueden escaparse vapores irritantes o líquidos cáusticos.

No someta la batería a radiación solar, calor ni fuego. Hay peligro de explosión.

No use el cargador en atmósferas potencialmente explosivas.

No use el cargador si está mojado o contaminado.

Asegúrese de que haya ventilación suficiente durante el proceso de carga.

Peligro de explosión. En las inmediaciones de una batería o de un espacio de carga de batería no debe manipular llamas abiertas, generar chispas ni fumar.

Peligro de explosión. No coloque ninguna herramienta u objeto similar sobre la batería, es decir, sobre los polos de los extremos y los conectores de la celda.

## ⚠ ADVERTENCIA

Antes de cada uso, controle que el equipo y el cable de alimentación no presenten daños. No siga usando los equipos dañados y encargue la reparación de las piezas dañadas únicamente a personal especializado.

Mantenga a los niños alejados de las baterías y del cargador.

No cargue baterías dañadas. Encargue al servicio de postventa de Kärcher la sustitución de las baterías dañadas.

No deseche las baterías defectuosas en la basura doméstica. Informe al servicio de postventa de Kärcher. Evite el contacto con los líquidos que salen de las baterías defectuosas. En caso de contacto accidental, enjuagar el líquido con agua. En caso de contacto con los ojos, consulte también a un médico.

## ⚠ PRECAUCIÓN

Asegúrese de respetar este manual de instrucciones. Tenga en cuenta las recomendaciones del legislador a la hora de manipular baterías.

La tensión de red debe coincidir con la indicada en la placa de características del equipo.

Utilice el cargador para cargar, únicamente, baterías autorizadas.

Use la batería solo con este equipo. Está prohibido y es peligroso usarla para otros fines.

### Dispositivos de seguridad

## ⚠ ADVERTENCIA

### Peligro de lesiones

Lesiones graves debidas a la ausencia de equipos de seguridad, a su modificación o a su ineficacia.

No anule ni retire los dispositivos de seguridad y no los deje sin efecto. Los dispositivos de seguridad velan por su seguridad.

### Interruptor de seguridad

Para la puesta fuera de servicio inmediata de todas las funciones: Colocar el interruptor de seguridad en la posición "0".







- El equipo frena con fuerza al apagar el interruptor de seguridad.
- El interruptor de seguridad actúa directamente sobre todas las funciones del equipo





### Interruptor de asiento

Si el operador abandona el asiento durante el trabajo o mientras conduce, el interruptor del asiento apaga el motor después de un breve intervalo.

### Símbolos de los avisos

A la hora de manipular baterías deben tenerse en cuenta los siguientes avisos:

	Los avisos de las instrucciones de uso de la batería, los avisos impresos sobre la propia batería y los avisos de este manual de instrucciones.
	Utilizar protección para los ojos.
	Mantener alejados a los niños de la batería y el ácido.
	Peligro de explosión
	Prohibido encender fuego, originar chispas, aplicar luz directa y fumar.
	Peligro de quemadura por ácido

	Primeros auxilios.
	Aviso
	Eliminación de residuos
	No tire las baterías usadas sobre la basura restante.

## ⚠ PELIGRO

### Riesgo de lesiones por calor y explosión en caso de cortocircuitos de baterías.

En caso de cortocircuitos de baterías, pueden generarse corrientes muy altas que pueden, a su vez, elevar la temperatura de los objetos considerablemente y causar incendios. El calentamiento y la formación de chispas desencadenan explosiones.

No cortocircuite las baterías. No deposite ningún objeto sobre las baterías.

No lleve objetos conductores de electricidad (por ejemplo, joyas, relojes, collares) sobre el cuerpo ni dentro o sobre la ropa.

Utilice únicamente herramientas aisladas.

## ⚠ PELIGRO

### Peligro de lesiones

No colocar nunca las heridas en contacto con el plomo. Lavarse siempre las manos después de trabajar con baterías.

### Símbolos sobre el cargador



## ⚠ PELIGRO

### Peligro de incendio

Al conectarlo a un conector o a un contacto eléctrico entre el conector y el enchufe, el conector del cargador y el enchufe utilizado pueden calentarse demasiado.

Antes de enchufar el conector de red, comprobar si el enchufe está diseñado para una corriente de 16 A y si se encuentra en perfecto estado técnico.

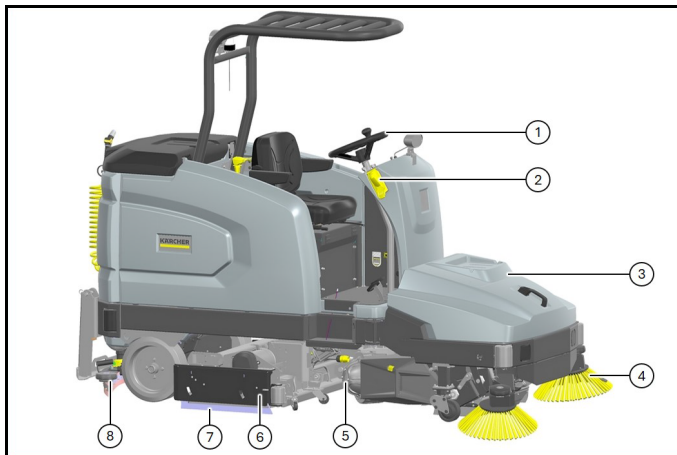
Comprobar que el conector de red está limpio y en perfecto estado.

## ⚠ PRECAUCIÓN

No conecte el equipo a un cable de prolongación de múltiples enchufes cuando otros equipos también estén conectados.

## Descripción del equipo

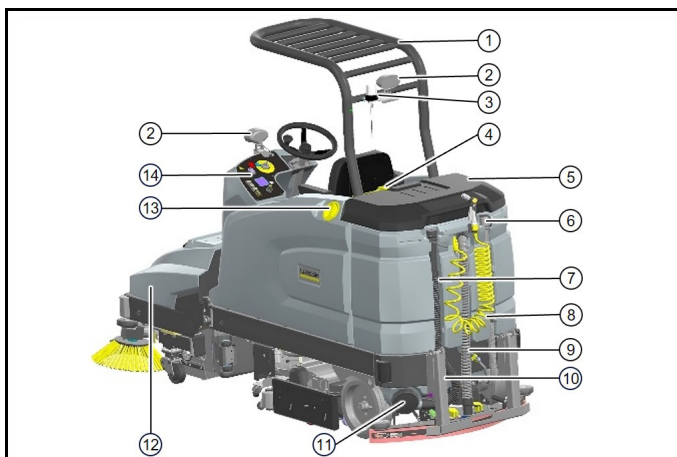
### Sinopsis de equipos frontales



- ① Volante
- ② Llenado automático del depósito de agua fresca
- ③ Unidad de prebarrido\*\*\*
- ④ Cepillos laterales\*
- ⑤ Motor
- ⑥ Soporte del labio rascador
- ⑦ Labio rascador
- ⑧ Labio trasero de aspiración

\*\*\* Solo la variante Combo

### Sinopsis de equipos traseros

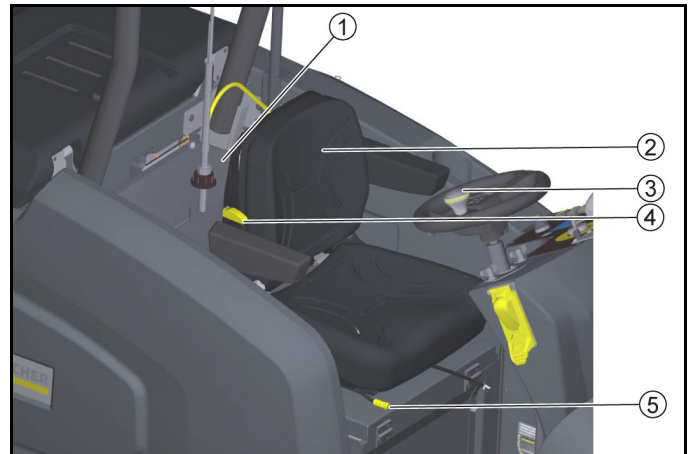


- ① Techo de protección\*
- ② Foco azul trasero/delantero\*
- ③ Lámpara de advertencia omnidireccional\*
- ④ Lanza de aspiración para la dosificación de detergente DOSE\*
- ⑤ Tapa del depósito de agua sucia
- ⑥ Manguera de desagüe de agua limpia
- ⑦ Manguera de desagüe de agua sucia
- ⑧ Limpieza manual del depósito: pistola de pulverización
- ⑨ Manguera de aspiración
- ⑩ Protección de la viga de aspiración\*
- ⑪ Inspección de la apertura del depósito de agua sucia
- ⑫ Unidad de prebarrido\*\*\*
- ⑬ Tapa de agua fresca
- ⑭ Terminal de control

\* Opcional

\*\*\* Solo la variante Combo

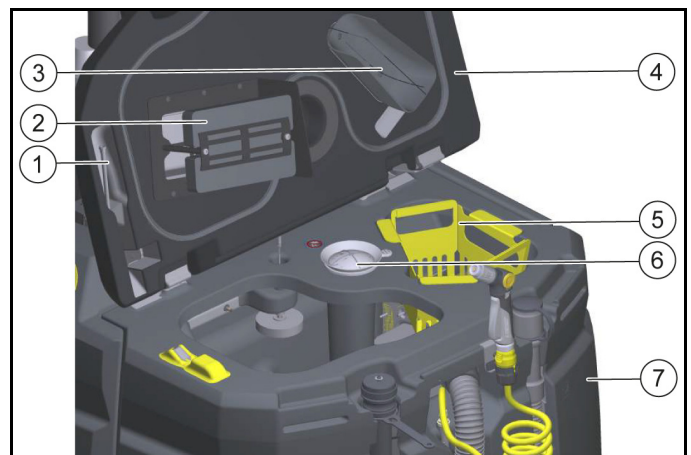
### Sinopsis de equipos asiento



- ① Tanque de detergente para dosificación del detergente DOSE\*
- ② Asiento
- ③ Pomo del volante
- ④ Palanca de ajuste del peso
- ⑤ Palanca de ajuste de la longitud del asiento

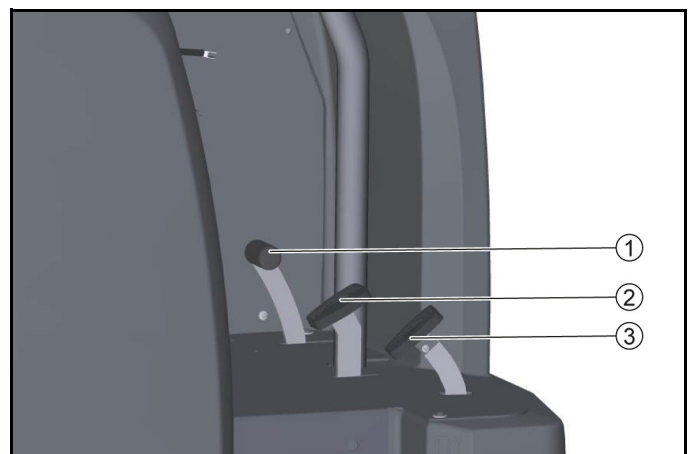
\* Opcional

### Sinopsis de equipos del depósito de agua sucia



- ① Soporte del depósito de agua sucia
- ② Flotador
- ③ Protección contra el impacto de las aguas residuales
- ④ Tapa del depósito de agua sucia
- ⑤ Cesta para suciedad gruesa
- ⑥ Prefiltro de la turbina
- ⑦ Depósito de agua sucia

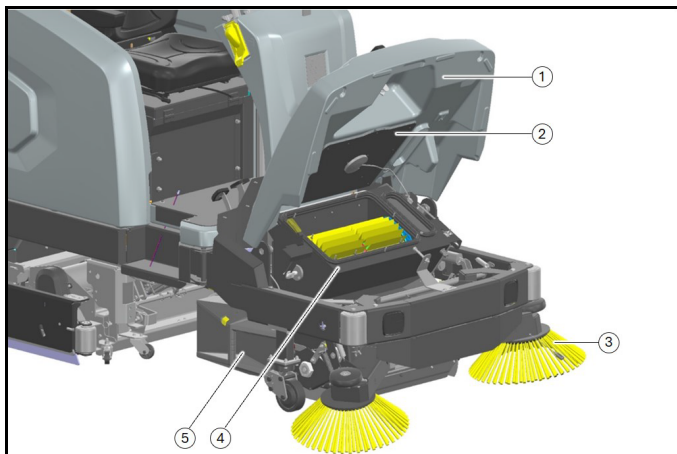
### Sinopsis de equipos de los pedales



- ① Pedal de la trampilla para suciedad gruesa\*\*\*
- ② Pedal de freno

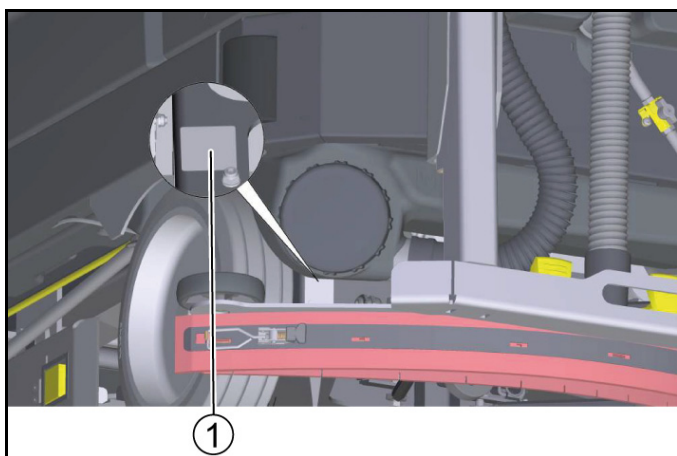
- ③ Pedal acelerador
- \*\*\* Solo la variante Combo

### Sinopsis de equipos antes del giro (solo la variante Combo)



- ① Unidad de pregiro de la cubierta
- ② Cubierta de la carcasa del filtro
- ③ Cepillos laterales
- ④ Carcasa del filtro
- ⑤ Recipiente para la suciedad

### Placa de características

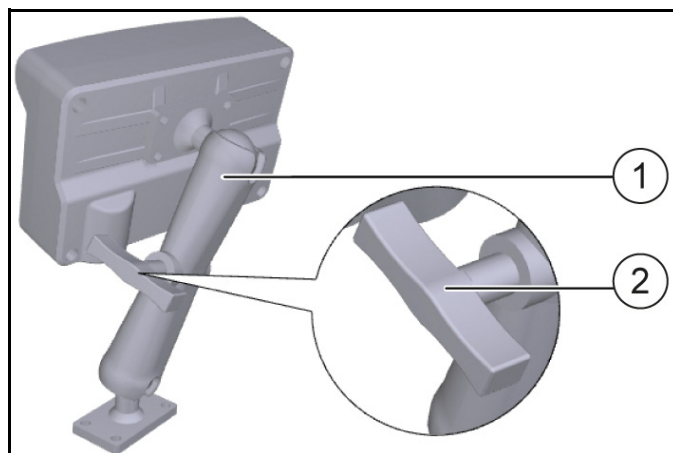


- ① Placa de características

### Batería con display LCD (solo variante de iones de litio)

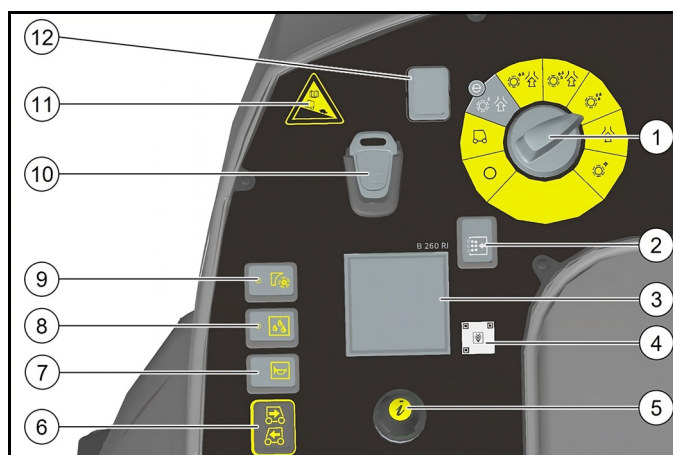


- ① Display



- ① Brazo esférico
- ② Tornillo de mariposa

### Panel de control

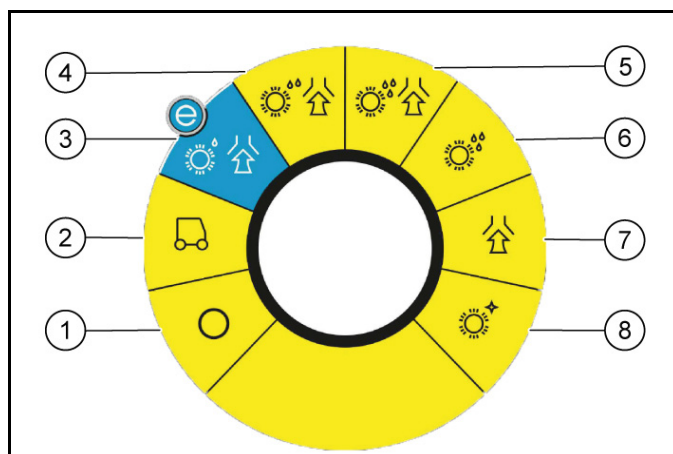


- ① Interruptor de programa
- ② Limpieza del filtro ON/OFF\*\*\*
- ③ Display
- ④ Código QR del vídeo explicativo
- ⑤ Botón de información para navegar por el menú en la pantalla
- ⑥ Interruptor de dirección de marcha
- ⑦ Bocina de 2 etapas
- ⑧ Solución de limpieza on/off
- ⑨ Cepillos laterales/conjunto de frotadores laterales/Combo ON/OFF\*
- ⑩ Intelligent Key
- ⑪ Pendiente máx. admisible
- ⑫ Interruptor de seguridad

\* Opcional




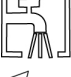
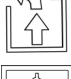
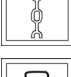

\*\*\* Solo la variante Combo

### Interruptor de programa


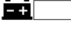









- ① **0**  
El equipo está desconectado.
- ② **Desplazamiento de transporte**  
Desplazarse al lugar de uso.
- ③ **Programa Eco**  
Limpiar el suelo mojado (con volumen de agua y velocidad de rotación del cepillo reducidos) y aspirar el agua sucia (con potencia de aspiración reducida).
- ④ **Aspiración-fregado**  
Limpiar el suelo mojado y aspirar el agua sucia.
- ⑤ **Aumento de la presión de empuje de cepillos**  
Limpiar el suelo mojado (con mayor presión de aplicación de cepillos y la cantidad de agua aumentada) y aspirar el agua sucia.
- ⑥ **Limpeza/colocación sin aspiración**  
Limpiar el suelo mojado y dejar actuar el detergente.
- ⑦ **Aspiración**  
Absorber la suciedad.
- ⑧ **Pulido**  
Pulir el suelo con una alta velocidad de rotación de cepillos sin aplicar líquido.

### Símbolos en el equipo

-  Purgado de agua fresca
-  Purgado de agua sucia
-  Agua fresca
-  Llenado automático del depósito de agua fresca
-  Retire la cesta para suciedad gruesa
-  Punto de amarre
-  Peso máximo de la cubierta (solo variante Combo)

### Pictogramas en la pantalla

-  Batería llena
-  Batería vacía
-  Freno activado
-  Preaviso activado
-  Agua off
-  Detergente activado
-  Detergente vacío
-  Agua dulce 100 %
-  Agua dulce 0%

## Montaje

### Baterías

#### Baterías y cargadores recomendados

	N.º de pedido
Juego de baterías (húmedas) 36 V/630 Ah	2.815-108.0
Cargador	4.035-191.0
Volumen (m3)*	71,78
Flujo de aire (m3/h)**	27,71
	N.º de pedido
Juego de baterías (iones de litio) 36 V/525 Ah	2.654-000.0
Cargador	6.654-543.0

\* Volumen mínimo del espacio de carga de batería

\*\* Flujo de aire mínimo entre el espacio de carga de batería y el entorno

Las baterías y los cargadores están disponibles en las tiendas especializadas.

#### Dimensiones máximas de la batería

Longitud	Anchura	Altura
842	627 mm	537 mm

Al colocar las baterías húmedas, se debe tener en cuenta lo siguiente:

- Deben respetarse las dimensiones máximas de la batería.
- Cuando se cargan las baterías húmedas, el asiento debe girar hacia arriba.
- Cuando se cargan las baterías húmedas, deben observarse las instrucciones del fabricante de la batería.

#### Colocación y conexión de las baterías

En la variante Bp, las baterías ya están integradas. Si no ha recibido una variante Bp, las baterías han sido montadas a posteriori en la empresa nacional o en su distribuidor de confianza. Esto puede ser por motivos de disponibilidad, tiempo, coste, importación, servicio, transporte o razones similares que le beneficien.

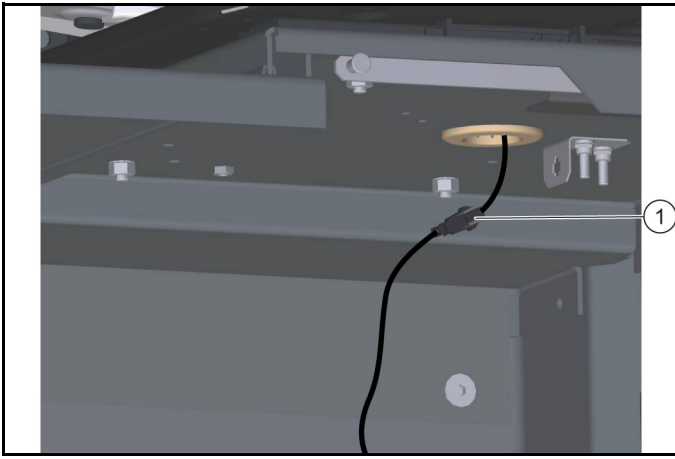
## CUIDADO

### Peligro de daños en la electrónica de control

La electrónica de control puede destruirse si se intercambia la polaridad de las conexiones de la batería. Preste atención a la polaridad correcta al conectar la batería.

1. Ajuste la posición del volante completamente hacia adelante.
2. Gire hacia delante el asiento.
3. Retire el tornillo del tope del asiento.

4. Retire el conector del interruptor de contacto del asiento y empújelo por la abertura.



- ① Conector del interruptor de contacto del asiento
5. Desbloquee el asiento y tire de él hacia arriba.
6. Retire el conector del interruptor de contacto del asiento del soporte.
7. Desenganche el soporte de la consola del asiento y cierre la consola del asiento.
8. Desenrosque las bisagras de la consola del asiento.
9. Coloque la consola del asiento en el espacio para los pies.
10. En el modelo Dose: Desmonte el depósito para el bote de detergente.
11. En el modelo Fleet: Desmonte los cables.
12. Levante la tapa de la batería.
13. Retire el depósito de agua fresca de la derecha.
14. Retire el panel lateral de la caja de la batería a la derecha.
15. Inserte la batería. Conexiones de la batería en la parte delantera en la dirección de marcha.

## Nota

Solo para batería húmeda:

16. Emborne los cables de conexión suministrados a los polos de batería todavía libres (+) y (-). Coloque el cable de manera que no pueda quedar atrapado por el asiento.

## Nota

La batería de iones de litio se suministra con el conector conectado.

17. En el modelo Fleet: Coloque los cables.
18. Monte el panel lateral de la caja de la batería a la derecha.
19. Monte el depósito de agua fresca de la derecha.
20. Coloque la tapa de la batería.
21. Conectar el conector de la batería.
22. Coloque la consola del asiento.
23. Atornille las bisagras de la consola del asiento.
24. Abra el soporte del asiento y enganche el soporte del asiento.
25. Coloque el conector del interruptor de contacto del asiento en el soporte.
26. Inserte el asiento.
27. Introduzca el conector del interruptor de contacto del asiento.
28. Coloque el tornillo de tope del asiento.
29. Gire hacia abajo el cabezal de limpieza.
30. Ajuste el volante.

## ⚠ ADVERTENCIA

**Peligro de muerte por incendio o explosión si las baterías están muy descargadas**

La carga incorrecta de baterías completamente descargadas puede causar incendios.

No ponga en funcionamiento el equipo si batería está completamente descargada.

Asegúrese de que la batería está cargada antes de poner en funcionamiento el sistema.

### Carga de la batería

## Nota

El equipo tiene protección contra descarga completa. Es decir, si se alcanza el nivel mínimo admisible de capacidad, el equipo solo podrá desplazarse. En el display aparecerá la indicación «Batería vacía: por favor, cárguela». El servicio de limpieza no está restringido para los equipos con baterías de iones de litio.

Al usar otras baterías (p. ej., de otros fabricantes), el servicio de postventa de Kärcher debe restablecer la protección contra descarga total de la batería correspondiente.

## ⚠ PELIGRO

**Peligro de muerte por descarga eléctrica.**

Existe un riesgo de descarga eléctrica si el cargador se utiliza de forma inadecuada

Respete la tensión de red y la protección por fusible de la placa de características del equipo.

Use el cargador únicamente en entornos secos con una ventilación adecuada.

**Peligro de explosión al cargar la batería.**

Se generan gases inflamables cuando se carga la batería. Cargar las baterías únicamente en un espacio adecuado.

El espacio debe tener un volumen mínimo según el tipo de batería y un cambio de aire con un flujo de aire mínimo (véase "Baterías recomendadas").

Solo cargue las baterías húmedas con el asiento girado hacia arriba.

## Nota

Si el equipo tiene una batería de iones de litio, es la batería la que se apaga cuando el nivel de carga es demasiado bajo, no el equipo. A partir de un nivel de carga de <15 %, <10 % y <5 %, el sistema también emite señales acústicas con intensidad creciente.

## Nota

- El tiempo de carga medio de las baterías húmedas asciende a aprox. 10-12 horas.
- El tiempo de carga medio de las baterías de iones de litio asciende a aprox. 3 horas.

Los cargadores recomendados (adaptados a las baterías empleadas correspondientes) cuentan con una regulación electrónica y finalizan el proceso de carga de forma automática.

No se puede utilizar el equipo durante el proceso de carga.

1. Llevar el equipo directamente al cargador evitando pendientes.

2. Gire hacia arriba el cabezal de limpieza.

3. Conectar el cable de carga a la batería.

a **Con variante de batería de plomo:** Desconecte el enchufe de la batería y conéctelo al cable de carga.

- b **Con variante de batería de iones de litio:** Conectar el cable del cargador a la batería a través del conector independiente.

4. Conecte el cargador a la red eléctrica y enciéndalo.

#### Tras el proceso de carga

##### 1. Batería de plomo:

- a Desconecte el cargador y desenchúfelo.
- b Desconecte el cable de la batería del cable de carga y conéctelo al equipo.

## Nota

Coloque el cable de carga en el compartimento de la batería de manera que no pueda quedar atrapado.

##### 2. Batería de iones de litio:

- a Desconectar el conector del cargador.

## Nota

El conector de la batería de iones de litio permanece conectado con el equipo durante la carga.

#### Baterías de bajo mantenimiento (baterías húmedas)

## ⚠ PELIGRO

### Rellenado de agua en estado descargado de la batería

Peligro de quemaduras por salida de ácido, daños en la ropa

Utilice gafas, vestuario y guantes de protección al manipular el ácido de la batería.

Tenga en cuenta las instrucciones.

Lave inmediatamente con abundante agua cualquier posible salpicadura de ácido sobre la piel o la ropa.

## CUIDADO

### Peligro de daños en las baterías

El uso de agua con aditivos anulará la garantía de la batería.

Utilizar únicamente agua destilada o desionizada (EN 50272-T3) para rellenar las baterías.

No usar aditivos ajenos o agentes de mejora.

1. Añadir agua destilada una hora antes de que finalice el proceso de carga. Prestar atención al nivel de ácido correcto conforme al marcado de la batería.  
Al final del proceso de carga deben gasear todas las celdas.
2. Después de la carga completa, comprobar el agua y rellenar. El agua evaporada se consume por electrólisis durante la carga.
3. Eliminar el agua derramada. Para hacer esto, proceder como se describe en el capítulo Cuidado y mantenimiento en el apartado "Limpieza de las baterías".

#### Indicación de la batería

##### Variante de batería húmeda:

El estado de carga de las baterías se muestra en el terminal de control de la pantalla.

- La longitud de la barra muestra el nivel de carga de la batería.

##### Variante de batería de iones de litio:

El estado de carga de las baterías se muestra en el display independiente del sistema de batería.

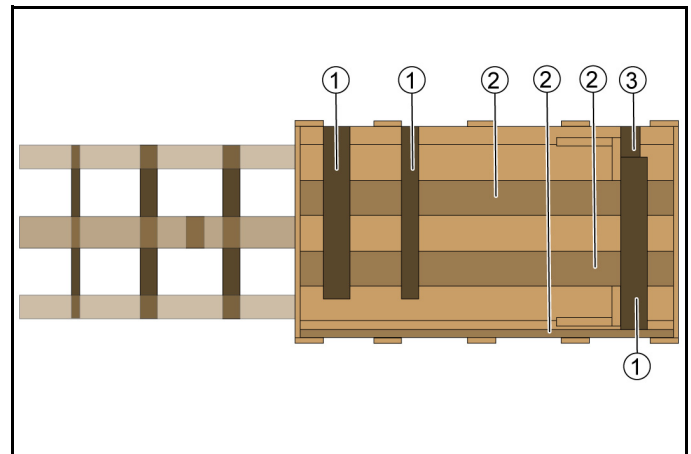
- El porcentaje SoC (State of Charge) indica el estado de carga.

#### Desembalaje

## Nota

Para una puesta fuera de servicio inmediata de todas las funciones, poner el interruptor de seguridad en «0».

1. Retirar la lámina de embalaje.
2. Retirar la cinta de sujeción.
3. Desatornille las tablas de aproximación y las maderas escuadradas de la paleta.

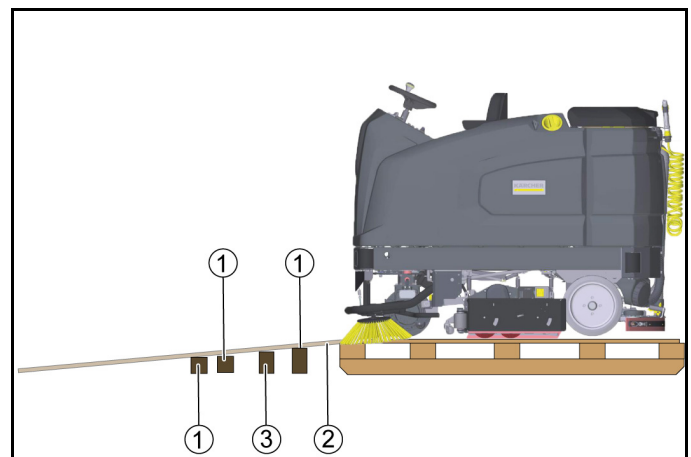


① Madera escuadrada

② Tabla de descenso

③ Bloque

4. Coloque la madera escuadrada delante de la paleta.
5. Coloque las tablas de descenso sobre las maderas escuadradas.
6. Atornille las tablas de descenso.
7. Deslizar el bloque adjunto en el paquete por debajo de la rampa.
8. Retirar los listones de madera por delante de las ruedas.



① Madera escuadrada

② Tabla de descenso

③ Bloque

9. Empuje el equipo de la paleta.

#### Empuje del equipo fuera de la paleta

## Nota

Monte el labio trasero de aspiración solo después de la descarga.

1. Suelte el freno de estacionamiento con la palanca (véase el capítulo *Deslizamiento del equipo*).
2. Una persona debe sentarse en el asiento y pisar el pedal de freno durante el empuje en caso de peligro.
3. Empuje el equipo por la rampa desde la paleta.

- Cierre el freno de estacionamiento con la palanca.

### Abandono de la paleta

Para abandonar la paleta, las baterías deben estar instaladas y cargadas.

## Nota

Monte el labio trasero de aspiración solo después de la descarga.

- Insertar la Intelligent Key en el terminal de control.
- Encienda el equipo con el interruptor de funcionamiento fácil.
- Ajustar el interruptor de programa al transporte.
- Colocar el interruptor de dirección de marcha en "Hacia delante".
- Pisar el pedal acelerador.
- Hacer que el equipo abandone lentamente la paleta.
- Apague el equipo con el interruptor de funcionamiento fácil.

### Montaje de los cepillos

#### Variante BD

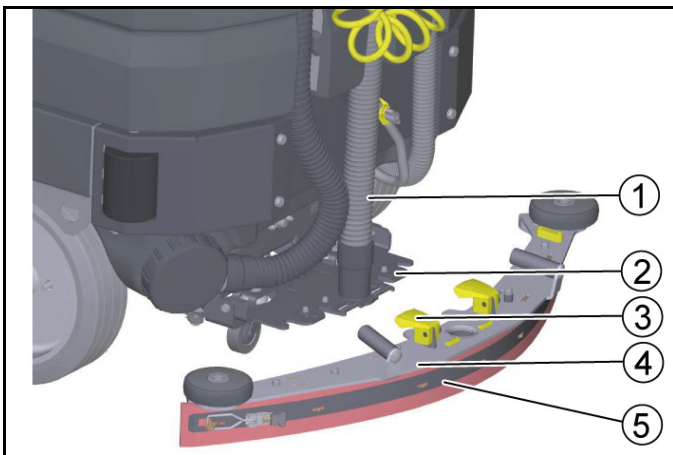
Los cepillos circulares se deben montar antes de la puesta en funcionamiento (véase el apartado *Trabajos de mantenimiento*).

#### Variante BR

Los cepillos están montados.

### Montaje de la barra de aspiración

- Girar hacia arriba ambas palancas de fijación.



- Manguera de aspiración
- Suspensión para la barra de aspiración
- Palanca de fijación
- Barra de aspiración
- Labio de succión con banda de tensión

- Insertar la barra de aspiración en la suspensión para la barra de aspiración.
- Girar hacia abajo ambas palancas de fijación.

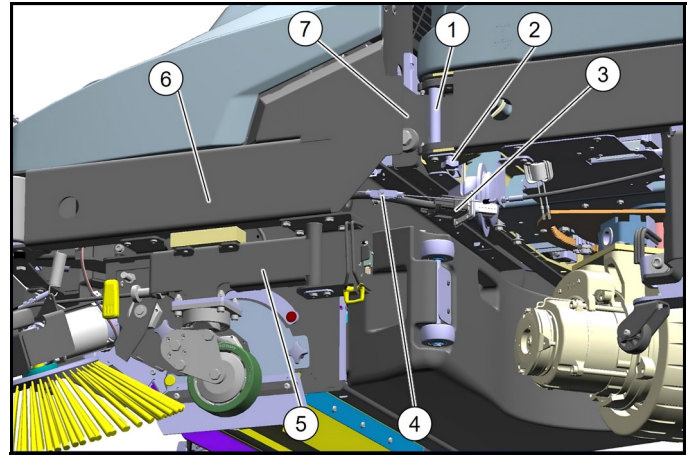
### Montaje de la unidad de prebarrido

## Nota

La máquina básica debe estar preparada para el montaje de la unidad de prebarrido.

- Para desconectar la máquina, véase *Finalización del servicio*.

- Colocar la unidad de prebarrido delante del equipo.



- Pernos de fijación
- Empuñadura en estrella
- Enchufe principal
- Cables Bowden con grapa de seguridad
- Rueda de apoyo
- Unidad de prebarrido
- Conexión

- Levantar ligeramente la conexión de la unidad de prebarrido e introducirla en el alojamiento.

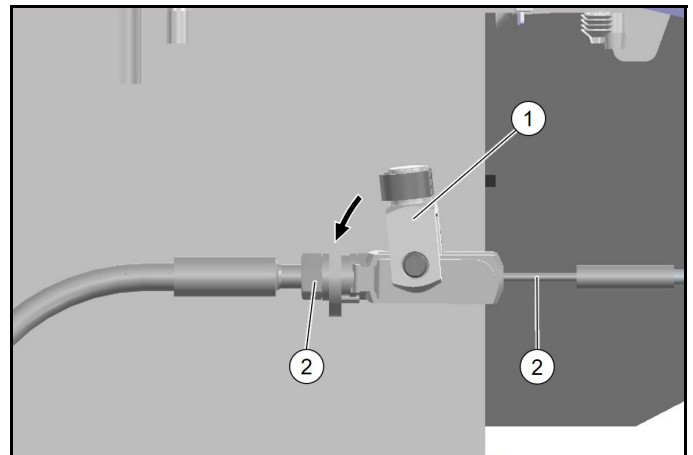
## ⚠ ADVERTENCIA

**Peligro de daños y lesiones por deslizamientos de la máquina.**

Una máquina no asegurada puede rodar involuntariamente al engancharse, especialmente en pendientes.

Asegurar la máquina para evitar que ruede, especialmente cuando la rueda lateral está cerrada.

- Montar los pernos de fijación. La colocación de los pernos puede simplificarse girando la rueda lateral.
- Enroscar y apretar las empuñaduras en estrella.



- Grapa de seguridad
- Cables Bowden

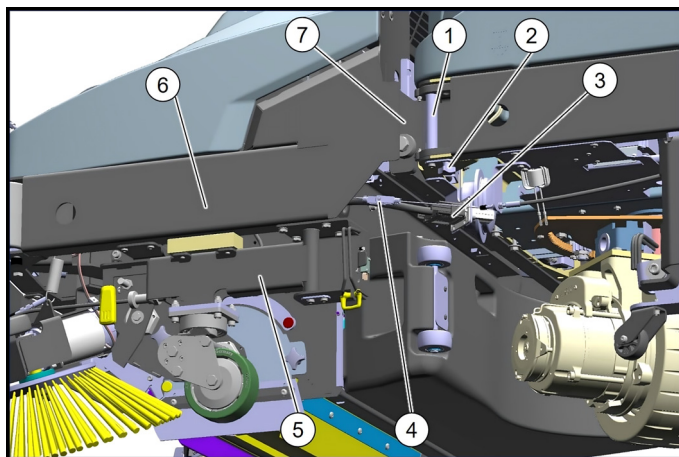
- Conectar los cables Bowden a la abrazadera de seguridad.

Para ello, girar la abrazadera de seguridad hacia delante y encajarla.

- Conectar el enchufe principal a la unidad de prebarrido.
- Conectar el acoplamiento de mangueras (solo con la opción de boquilla de pulverización).
- Plegar la rueda de apoyo delantera. Para ello, tirar de la empuñadura en estrella hacia un lado y girar la rueda hacia arriba hasta que encaje.

## Desmontaje de la unidad de prebarrido

1. Para desconectar la máquina, véase el capítulo *Desconexión del equipo*.
2. Desconectar el acoplamiento de mangueras (solo con la opción de boquilla de pulverización).



- 1 Pernos de fijación
- 2 Empuñadura en estrella
- 3 Enchufe principal
- 4 Cables Bowden con grapa de seguridad
- 5 Rueda de apoyo
- 6 Unidad de prebarrido
- 7 Conexión

3. Desconectar el enchufe principal a la unidad de prebarrido.
4. Abrir la abrazadera de seguridad de los cables Bowden y retirar la abrazadera de seguridad.
5. Desplegar la rueda de apoyo delantera.
6. Desenroscar las empuñaduras en estrella.
7. Desmontar los pernos de fijación.
8. Tirar del perno de bloqueo hacia delante, desplegar la rueda de apoyo lateral de la unidad de prebarrido y fijarla con la goma elástica.
9. Deslizar la unidad de prebarrido hacia delante desde el alojamiento.

## Funcionamiento

### ⚠ PELIGRO

#### Caída de objetos

Peligro de lesiones

No utilizar el equipo sin techo de protección contra la caída de objetos en aquellas zonas donde exista el riesgo de que el personal se vea afectado por la caída de objetos.

### ⚠ CUIDADO

#### Situación de peligro durante el funcionamiento

Peligro de lesiones

En caso de peligro, ajuste el interruptor de seguridad a "0".

## Conexión del equipo

1. Sentarse en el asiento del conductor.
2. Insertar la Intelligent Key.
3. **Solo en batería de iones de litio:** Pulsar la tecla On/Off situada en el borde inferior del display independientemente.
4. Colocar el interruptor de seguridad en la posición "1".
5. Girar el selector de programas a la función deseada.
6. Si una de las siguientes visualizaciones aparece en la pantalla, quitar el pie del pedal del acelerador, ajustar el interruptor de seguridad a "0" y realizar los trabajos de mantenimiento necesarios.

Display	Tarea
Mantenimiento de la barra de aspiración	Limpiar la barra de aspiración.
Mantenimiento del cabezal de cepillos	Verificar el desgaste de los cepillos y limpiarlos.
Mantenimiento del labio de aspiración	Verificar el desgaste y el ajuste de los labios de aspiración.
Mantenimiento del tamiz de turbina	Limpiar el tamiz protector de turbina.
Mantenimiento del filtro de agua Filtro	Limpiar el filtro de agua fresca.

7. Pulsar el botón de información.
8. Restablecer el contador para el mantenimiento correspondiente (véase "Intelligent Key gris/restablecer contador de mantenimiento").

## Nota

Si el contador no se reinicia, la visualización de mantenimiento aparece nuevamente cada vez que se enciende el equipo.

## Comprobación del freno de estacionamiento

### ⚠ PELIGRO

#### Peligro de muerte debido a un freno de estacionamiento defectuoso.

El equipo puede rodar sin control si el freno de estacionamiento no funciona correctamente.

Antes de cada servicio, verifique el funcionamiento del freno de estacionamiento en plano.

1. Conectar el equipo.
2. Colocar el interruptor de dirección de marcha en "hacia delante".
3. Ajustar el interruptor de programa al transporte.
4. Presionar el pedal del acelerador ligeramente.  
Se debe oír desencajar el freno. El equipo debe comenzar a rodar ligeramente en plano.
5. Soltar el pedal del acelerador.  
El freno debe bloquearse de forma audible.

Si el freno de estacionamiento no se bloquea, ponga el equipo fuera de servicio, asegúrelo para que no ruede de forma incontrolada y póngase en contacto con el servicio de posventa.

## Comprobar el freno de pie

### ⚠ PELIGRO

#### Peligro de accidente debido a un freno de pie defectuoso.

El equipo puede rodar sin control si el freno de pie no funciona correctamente.

Antes de cada servicio, verifique el funcionamiento del freno de pie.

1. Conectar el equipo.
2. Colocar el interruptor de dirección de marcha en "hacia delante".
3. Ajustar el interruptor de programa al transporte.
4. Pisa el pedal del acelerador.
5. Durante la conducción, retire el pie del acelerador y aplique el freno de pie.  
El dispositivo debe desacelerar notablemente.

Si este no es el caso, dejar el equipo fuera de servicio y llamar al servicio de postventa.

## Circulación

### ⚠ PELIGRO

#### Falta de frenado

Peligro de accidentes

Antes de usar el equipo, es esencial verificar el funcionamiento del freno de estacionamiento. No usar nunca el equipo si el freno de estacionamiento no funciona.

### ⚠ PELIGRO

#### Falta de efecto de frenado durante el funcionamiento

Si el equipo ya no frena durante el funcionamiento, proceder de la siguiente manera:

Si el equipo no se detiene en una rampa con una pendiente superior al 2 % al soltar el pedal del acelerador, por razones de seguridad, solo se podrá poner el interruptor de seguridad en la posición "0" si se ha comprobado el correcto funcionamiento mecánico del freno de estacionamiento antes de poner en marcha el equipo.

Al detenerse, poner el equipo fuera de funcionamiento y llamar al servicio de postventa.

Prestar atención a las indicaciones de mantenimiento de los frenos.

### ⚠ PELIGRO

#### Conducción descuidada

Peligro de vuelco

Solo circule en pendientes en la dirección de marcha hasta un máximo del 15 % (variante RI) y del 10 % (variante RI Combo). En sentido transversal a la marcha solo se admiten pendientes de hasta 15 %.

No girar en las pendientes o en las cuestas.

Conducir lentamente en las curvas y en suelo mojado.

Conducir el equipo únicamente sobre una base firme.

#### Equipo de barrido abatible para la variante Combo

Mayor riesgo de accidentes

Tenga especial cuidado al dar marcha atrás.

Al dirigir, tenga en cuenta el balanceo del equipo de barrido.

## Nota

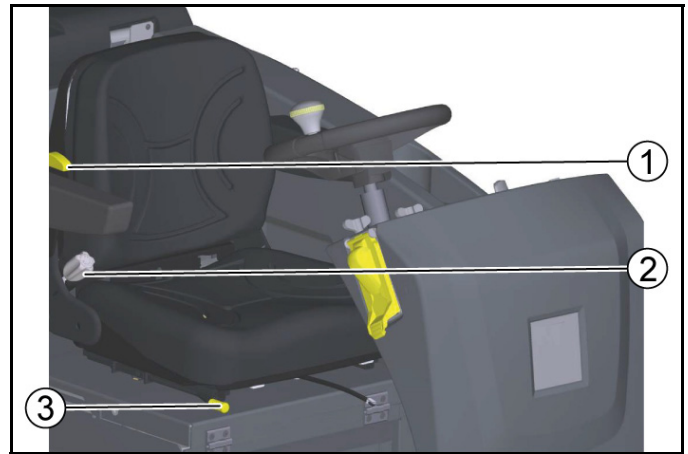
Se puede cambiar la dirección de marcha durante la conducción. Esto significa, por ejemplo, que se pueden pulir manchas muy opacas moviéndose varias veces hacia adelante y hacia atrás.

1. Adoptar la posición sentada.
2. Insertar la Intelligent Key.
3. Ajustar el selector de programas al «Desplazamiento de transporte».
4. Ajustar la dirección de marcha con el interruptor de dirección de marcha en el terminal de control.
5. Determinar la velocidad de conducción presionando el pedal del acelerador.
6. Soltar el pedal del acelerador.  
El equipo se detiene.

El motor se desconecta en caso de sobrecarga. En la pantalla aparece un mensaje de fallo. Si el control se sobrecalienta, la unidad afectada se apaga.

7. Dejar que el equipo se enfríe durante, al menos, 15 minutos.
8. Ajuste el interruptor de programa en «0», esperar brevemente y configurar el programa deseado.

## Ajuste del asiento del conductor



- ① Ajuste de peso en 3 etapas 60-120 kg
  - ② Ajuste de la inclinación del respaldo 3° hacia adelante y 13° hacia atrás
  - ③ Ajuste de la longitud del asiento
1. Accione la palanca de ajuste del asiento.
  2. Desplazar el asiento en la posición deseada.
  3. Suelte la palanca de ajuste del asiento.

## Ajustar el volante

1. Afloje las tuercas de mariposa para ajustar el volante.
2. Coloque el volante.
3. Apretar las tuercas de mariposa.

## Comprobar el filtro de pelusas

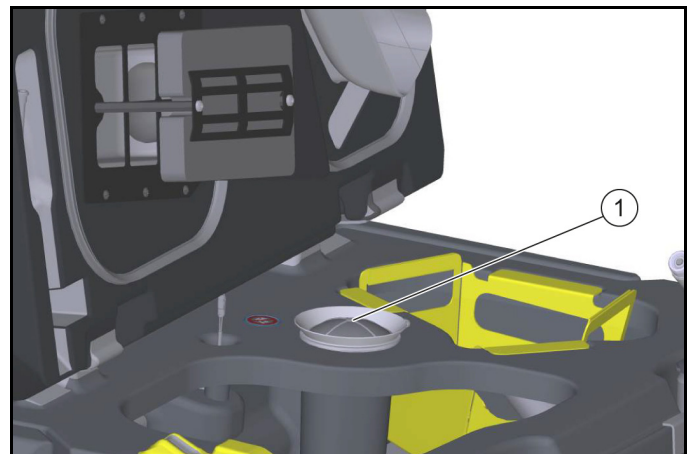
### CUIDADO

#### Daños en las turbinas de aspiración.

El funcionamiento sin filtro de pelusas puede dañar la turbina de aspiración.

No utilice el equipo sin el filtro de pelusas.

1. Antes de poner en funcionamiento el equipo, compruebe que el filtro de pelusas:
  - Está disponible
  - Está en condiciones de uso
  - Está bien montado



- ① Filtro de pelusas
2. Sustituir un filtro de pelusas dañado.

## Deslizamiento del equipo

1. Suelte el freno de estacionamiento tirando de la palanca.

### Nota

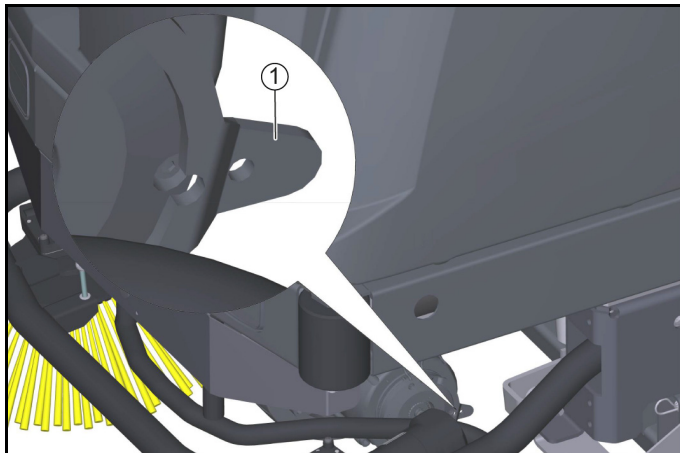
Hay que tirar de la palanca continuamente.

# ⚠ PELIGRO

## Riesgo de lesiones si el equipo sale rodando.

El freno de estacionamiento solo puede soltarse estando agachado y permaneciendo en la zona de peligro.

Utilice un objeto para mantener la palanca en estado de tracción permanente y aléjese de la zona de peligro inmediatamente después de soltar el freno de estacionamiento.



1. Palanca del freno de estacionamiento
2. Empujar el equipo.
3. Vuelva a cerrar el freno de estacionamiento soltando la palanca.

### Llenado de agua limpia

#### Llenado de agua limpia

1. Abrir la tapa del depósito de agua limpia.
2. Asegure la manguera de agua fresca con la abrazadera.
3. Añadir agua limpia (máximo 60 °C) hasta unos 5 cm por debajo de la tolva de llenado.

## Nota

Antes de la primera puesta en servicio, llenar completamente el depósito de agua limpia para purgar el aire del sistema de conductos de agua.

4. Cerrar la tapa del depósito de agua limpia.

### Llenado de agua dulce con llenado automático del depósito de agua dulce (opcional)

## Nota

Le recomendamos que utilice una manguera con un acoplamiento Aquastop en el lado del equipo. Esto minimiza las salpicaduras de agua después de la separación tras el proceso de llenado.

1. Conectar la manguera de agua al sistema automático de llenado.
2. Abra la entrada de agua (máx. 60 °C, máx. 10 bar).
3. Supervisar el llenado, el sistema automático de llenado interrumpe la entrada de agua cuando el depósito de agua fresca está lleno.
4. Cerrar la entrada de agua.
5. Retirar la manguera de agua.

### Llenado del detergente

#### Indicaciones sobre los detergentes

## CUIDADO

### Peligro de daños por uso de productos de limpieza y detergente inadecuados

Daños materiales

Utilice únicamente productos de limpieza y detergentes recomendados por Kärcher. Si se utilizan productos de limpieza y detergentes inadecuados, el equipo, los suelos y las superficies pueden resultar dañados.

Tenga en cuenta la finalidad de uso prevista y las hojas de datos de seguridad de los productos de limpieza y detergentes.

No utilice nunca productos de limpieza y detergentes que sean inflamables, muy espumosos o que contengan disolventes, ácido clorhídrico o ácido fluorhídrico.

## Nota

No utilice detergentes muy espumosos.

Detergentes recomendados

Uso	Detergente
Limpieza de mantenimiento de todo tipo de suelos resistentes al agua	RM 756
Limpieza de mantenimiento con componentes de cuidado	RM 746 RM 780
Limpieza de mantenimiento y limpieza a fondo de recubrimientos industriales	RM 69
Limpieza de mantenimiento de recubrimientos brillantes	RM 755
Limpieza de mantenimiento y limpieza a fondo de azulejos de gres cerámico fino	RM 753
Limpieza de mantenimiento y limpieza básica de recubrimientos resistentes al ácido	RM 751
Limpieza y desinfección	RM 732
Limpieza básica de todos los recubrimientos del suelo resistentes a los álcalis	RM 752
Limpieza básica y decapado de suelos sensibles a los álcalis	RM 754

### Llenado de detergente en el depósito de agua fresca

## Nota

Primero llene de agua el depósito de detergente y luego añada el detergente al depósito en la dosis adecuada. Si se vierte primero el detergente, puede producirse una fuerte espuma.

## CUIDADO

### Peligro de obstrucción

Al agregar detergente al depósito de agua limpia, este puede secarse e interrumpir el funcionamiento del dispositivo de dosificación.

Después de agregar detergente al depósito de agua limpia, enjuagar el equipo con agua limpia: Seleccionar un programa de limpieza con aplicación de agua, configurar la cantidad de agua al valor más alto y la dosis de detergente a 0.

### Llenado del detergente con un dispositivo de dosificación (opcional)

Se agrega detergente al agua fresca en el camino hacia el cabezal de limpieza mediante un dispositivo de dosificación.

## Nota

Se puede agregar un máximo de 3% de detergente con el dispositivo de dosificación. Si la dosis es mayor, el detergente debe añadirse al depósito de agua limpia.

# CUIDADO

## Peligro de obstrucción

Al agregar detergente al depósito de agua limpia, este puede secarse e interrumpir el funcionamiento del dispositivo de dosificación.

Después de agregar detergente al depósito de agua limpia, enjuagar el equipo con agua limpia: Seleccionar un programa de limpieza con aplicación de agua, configurar la cantidad de agua al valor más alto y la dosis de detergente a 0.

1. Coloque el bidón con el detergente en la bandeja de detergente situada detrás del asiento.
2. Desenroscar la tapa del bidón de combustible.
3. Introducir el detergente de la lanza de aspiración del dosificador en el bidón.

## Nota

- El equipo tiene un indicador de nivel de agua limpia en la pantalla. Si el depósito de agua limpia está vacío, también se detiene la dosificación de detergente. El cabezal de limpieza sigue funcionando sin suministro de fluido.
- Con el bidón de detergente vacío, también se para la dosificación. En la pantalla aparece un símbolo de advertencia. En el cabezal limpiador se aplicará solo agua limpia.

## Configuración de parámetros (Intelligent Key amarilla)

Los parámetros para los diversos programas de limpieza están preestablecidos en el equipo.

Dependiendo de la autorización de la Intelligent Key amarilla, se pueden cambiar los parámetros individuales.

La modificación de los parámetros solo es efectiva hasta que se selecciona otro programa de limpieza con el interruptor de programa.

Si los parámetros se van a cambiar de forma permanente, se debe utilizar una Intelligent Key gris para la configuración. El ajuste se describe en la sección "Intelligent Key gris".

## Nota

Solo para cabezal de limpieza R: Casi todos los textos de pantalla para configurar los parámetros son por lo general autoexplicativos. Si necesita información más detallada sobre los parámetros, póngase en contacto con el servicio de atención al cliente.

- Fine Clean: baja velocidad de rotación de cepillos para eliminar la película gris del gres cerámico fino.
  - Whisper Clean: velocidad media de rotación de cepillos para la limpieza de mantenimiento con un nivel sonoro reducido.
  - Power Clean: alta velocidad de rotación de cepillos para pulir, cristalizar y barrer.
1. Ajustar el interruptor de programa al programa de limpieza deseado.
  2. Pulsar el botón de información.
  3. Girar el botón de información hasta que aparezca el parámetro deseado.
  4. Pulsar el botón de información.  
El valor establecido parpadea.
  5. Ajustar el valor deseado girando el botón de información.

6. Confirmar el ajuste modificando pulsando el botón de información o esperar hasta que el valor ajustado se confirme de forma automática tras un período de 10 segundos.

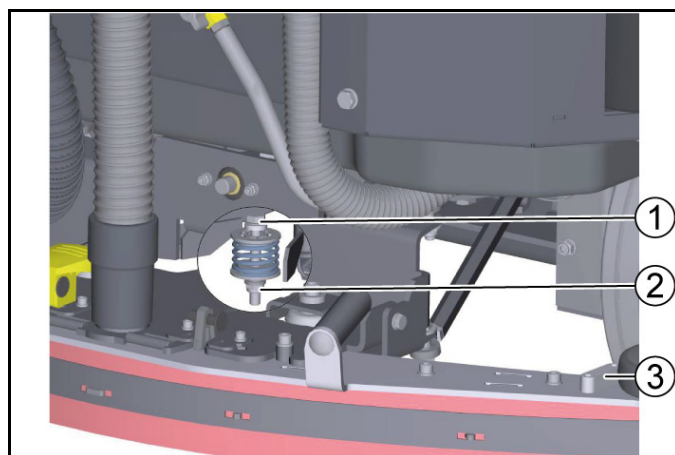
## Ajuste de la barra de aspiración

La barra de aspiración solo tiene que reajustarse en casos especiales. El ajuste de fábrica es adecuado para la mayoría de las aplicaciones.

## Ajuste de la inclinación del labio trasero de aspiración

La inclinación debe ajustarse de modo que los labios de aspiración de la barra de aspiración se apoyen sobre el suelo en toda su longitud y de forma uniforme.

1. Colocar el equipo en una superficie sin pendiente.
2. Seleccione el programa «Aspiración».
3. Desplazar un poco el equipo hacia delante.  
El labio trasero de aspiración se baja.
4. Leer el nivel del agua.



- ① Tornillo
  - ② Tuerca
  - ③ Nivel de agua
5. Aflojar la tuerca M 12 mientras se sujeta el tornillo hexagonal M 10 con la llave de boca.
  6. Ajustar el tornillo de modo que el indicador de nivel de agua esté entre las dos líneas.
  7. Apretar la tuerca M 12 mientras se sujeta el tornillo hexagonal M 10 con la llave de boca.
  8. Para comprobar el nuevo ajuste, mover el equipo hacia delante una corta distancia en el servicio de aspiración con el labio trasero de aspiración bajado y observar el nivel de burbuja. Repetir el proceso de configuración si es necesario.

## Barrido (solo en la variante Combo)

El equipo de barrido recoge la suciedad suelta antes de limpiar el suelo.

## ⚠ ADVERTENCIA

¡Riesgo de lesiones por piezas en movimiento!

Tenga en cuenta que el ventilador, los cepillos laterales y la limpieza del filtro funcionan después de la desconexión.

## CUIDADO

### Uso inadecuado del equipo para barrer

Peligro de daños al equipo de barrido.

No barrer con cintas de embalaje, cables o similares.

Solo se puede pasar por encima de los escalones hasta un máximo de 2 cm.

Barrer solo las superficies secas para evitar la obstrucción y la germinación del filtro de polvo.

El filtro para polvo se limpia automáticamente cada 5 minutos.

1. Conectar el interruptor «Barrer».  
El equipo de barrido está activado.

### Trampilla para suciedad gruesa

La trampilla para suciedad gruesa se puede levantar para barrer objetos más grandes (hasta aproximadamente 6 cm de altura).

## ⚠ PELIGRO

### Peligro de lesiones por barrer la suciedad barrida

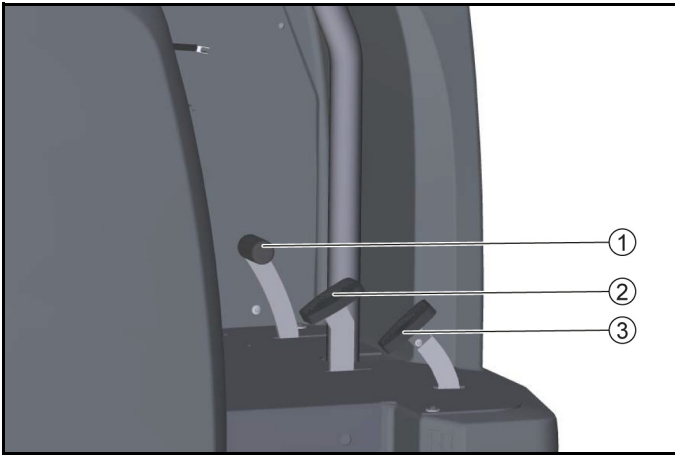
Abriendo la trampilla para suciedad gruesa se puede expulsar la suciedad barrida.

Levante la trampilla para suciedad gruesa solo cuando no haya personas en las inmediaciones.

## Nota

Cuando se levanta la trampilla para suciedad gruesa, el efecto de barrido y la extracción de polvo se deterioran. Levante la trampilla para suciedad gruesa solo cuando sea necesario.

1. Accione el pedal para levantar la trampilla para suciedad gruesa.



- ① Pedal de la trampilla para suciedad gruesa\*
- ② Pedal de freno
- ③ Pedal acelerador

### Finalización del barrido

1. Ponga el interruptor de «Barrido» en «0».  
El equipo de barrido está desactivado. Una vez terminada la operación de barrido, el filtro de polvo se limpia durante unos 15 segundos.
2. Si es necesario, pulsar el interruptor para activar/desactivar la limpieza del filtro.  
Se inicia un ciclo de limpieza del filtro para polvo.

### Conjunto de frotadores laterales (opcional)

El conjunto de frotadores laterales facilita el trabajo cerca del borde.



- ① Extraer/Retraer el conjunto de frotadores laterales
- ② Conectar/desconectar el conjunto de frotadores laterales

1. Pulse el interruptor «Conectar/desconectar el conjunto de frotadores laterales».  
El conjunto de frotadores laterales se activa/desactiva.
2. Pulse el interruptor «Extensión/Retracción del conjunto de frotadores laterales».  
El conjunto de frotadores laterales se retrae/extiende.

### Finalización del servicio

#### Finalización de la limpieza

1. Poner el interruptor de selección de programas en desplazamiento.
2. Seguir circulando durante una distancia corta.  
Se aspira el agua restante.

#### Desconexión del equipo

1. Colocar el interruptor de selección de programas en la posición "0".
2. **Solo en batería de iones de litio:** Pulsar la tecla On/Off situada en el borde inferior del display independiente hasta que el sistema de batería se ponga en reposo.
3. Colocar el interruptor de seguridad en la posición "0".
4. Retirar la Intelligent Key.

## ⚠ PELIGRO

### Peligro de daños y lesiones por deslizamientos del equipo.

Si el equipo se mueve de manera descontrolada, las partes del cuerpo pueden enrollarse, quedar atrapadas o aplastarse. Pueden producirse daños materiales si el equipo choca contra objetos.

Asegúrese de que no hay ningún programa de usuario ajustado y de que el pedal acelerador no está pisado.

Asegure el equipo para que no se mueva.

5. Asegurar el equipo para que no se mueva.

6. En caso necesario, cargar la batería.

### Vaciado del depósito de agua sucia

## ⚠ ADVERTENCIA

### Eliminación incorrecta de aguas residuales

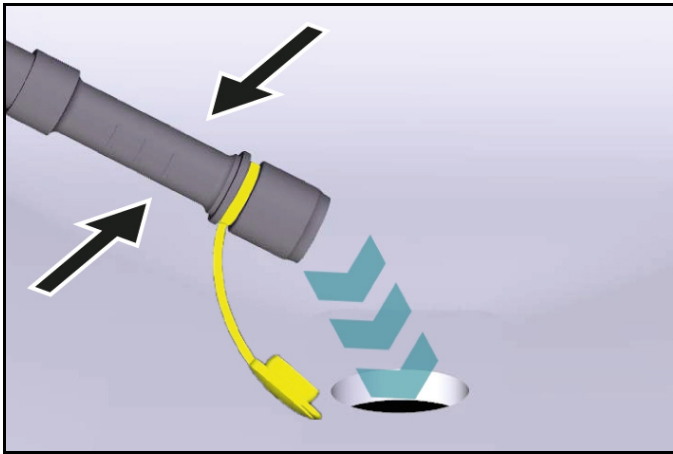
Contaminación del medioambiente

Tenga en cuenta las normativas locales en materia de tratamiento de aguas residuales.

## Nota

Cuando el depósito de agua sucia está lleno, la turbina de aspiración se apaga y la pantalla muestra «Depósito de agua sucia lleno».

1. Extraer la manguera de desagüe de agua sucia de la sujeción.
2. Bajar el extremo de la manguera sobre la instalación de eliminación.



3. Purgar el agua sucia a través del orificio de la tapa situada en la manguera de desagüe.  
La corriente de agua puede reducirse presionando o girando el dispositivo de dosificación.
4. Extraer la pistola pulverizadora de la sujeción.
5. Poner el interruptor de selección de programas en transporte.
6. Seleccione «Enjuague de depósito» en el display.  
a Pulsar el botón de información.  
b Seleccionar el menú «Enjuague de depósito».
7. Abra la válvula de cierre situada en la parte posterior del depósito de agua sucia.
8. Enjuagar el depósito de agua sucia con la boquilla de pulverización.
9. Cuelgue las boquillas de pulverización en las sujeciones.
10. Cerrar la tapa de la manguera de desagüe.
11. Presionar la manguera de agua sucia en la sujeción del equipo.
12. Cierre la válvula de cierre en la parte posterior del depósito de agua sucia.
13. Seleccione «Enjuague de depósito» en el display.

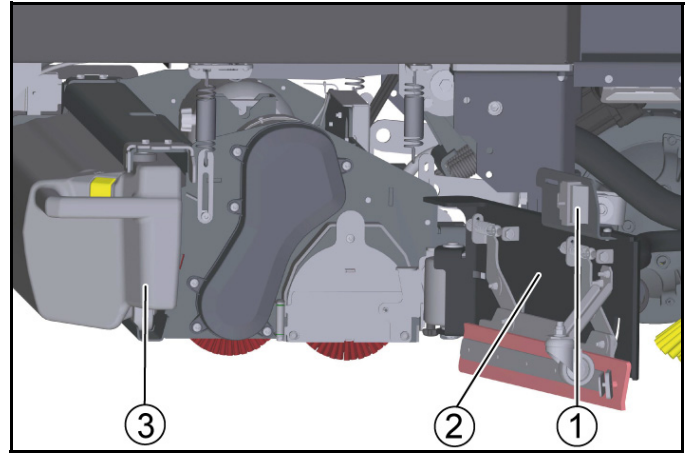
### Vaciado del recipiente para la suciedad

## Nota

El contenedor de barreduras solo puede extraerse por el lado del conductor y solo está disponible en los cabezales de limpieza R.

1. Tire de la pestaña.
2. Abra el soporte del labio rascador.

3. Retire el recipiente para la suciedad.



- ① Pestaña
  - ② Soporte del labio rascador
  - ③ Recipiente para la suciedad
4. Vacíe el recipiente para la suciedad.
  5. Colocar el recipiente para la suciedad.

## Nota

El recipiente para la suciedad debe bloquearse en su lugar.

6. Gire el soporte del labio rascador.
7. Extraer lateralmente el recipiente para la suciedad de la unidad de prebarrido y vaciarlo (solo para la variante Combo).

### Purga de agua limpia

## CUIDADO

### Solución de limpieza en el depósito de agua fresca

Daños en el depósito de agua fresca, válvulas y sellados. No deje nunca la solución de limpieza en el depósito de agua fresca al final del funcionamiento.

1. Retirar la manguera de desagüe de agua fresca de la sujeción y bajarla sobre una instalación de recogida adecuada.
2. Drenar la solución de limpieza.
3. Retirar la tapa del depósito de agua fresca.
4. Aclare el depósito de agua fresca con agua fresca (máximo 60 °C).

### Parada del equipo

1. Girar el interruptor de programa a la posición "OFF".
2. Retirar la Intelligent Key.
3. Asegurar el equipo para que no se mueva.
4. En caso necesario, cargar la batería.

### Intelligent Key gris

La Intelligent Key gris le da al personal de supervisión autorizaciones ampliadas y opciones de ajuste.

1. Insertar la Intelligent Key.
2. Seleccionar la función deseada girando el botón de información.

### Desplazamiento de transporte

1. Ajustar el interruptor de programa a "Transporte".
2. Pulsar el botón de información.

Los siguientes ajustes se pueden llevar a cabo en el menú "Transporte":

- Restablecimiento del contador de mantenimiento
- Poner a cero el contador de días
- Gestión de claves
- Selección de la forma del cepillo

- Tiempos de marcha en inercia
- Ajuste básico
- Establecimiento del idioma
- Menú de conmutación
- Velocidad de conducción
- Ajuste de fábrica
- Activar la pistola de limpieza del depósito manual

#### Restablecer el contador de mantenimiento

Si el trabajo de mantenimiento que se muestra en la pantalla se ha llevado a cabo, el contador de mantenimiento correspondiente debe reiniciarse.

1. Girar el botón de información hasta que aparezca "Contador de mantenimiento".
2. Pulsar el botón de información.  
Se muestran las lecturas del contador.
3. Girar el botón de información hasta que se resalte el contador que se va a borrar.
4. Pulsar el botón de información.
5. Seleccionar "Sí" girando el botón de información.
6. Pulsar el botón de información.  
El contador se borra.

## Nota

El contador de horas de servicio solo puede restablecerse mediante el servicio de atención al cliente.

El contador de horas de servicio muestra el tiempo que falta hasta la próxima intervención por parte del servicio técnico.

#### Restablecimiento del contador

1. Girar el botón de información hasta que aparezca «Contador».  
Este menú muestra las horas de servicio totales y el contador de días.

#### Borrar el contador de días:

2. Pulsar el botón de información.  
Aparece el menú «Borrar contadores».
3. Girar el botón de información hasta que se resalte «Contador de días».
4. Pulsar el botón de información.

#### Gestión de claves

En la opción de menú "Menú de llaves", las autorizaciones se asignan para cada Intelligent Key amarilla utilizada, y el idioma de la pantalla se configura para la misma.

1. Insertar la Intelligent Key gris.
2. Girar el botón de información hasta que aparezca la opción de menú "Menú de llaves" en la pantalla.
3. Pulsar el botón de información.
4. Retirar la Intelligent Key gris e insertar la Intelligent Key amarilla personalizable o la Intelligent Key blanca.
5. Seleccionar el elemento del menú que se va a cambiar girando el botón de información.
6. Pulsar el botón de información.
7. Seleccionar el ajuste del elemento del menú girando el botón de información.
8. Confirmar el ajuste presionando la opción de menú.
9. Seleccionar la siguiente opción de menú que se va a cambiar girando el botón de información.
10. Después de realizar todas las configuraciones, acceder al menú "¿Guardar?" girando el botón de información.
11. Pulsar el botón de información.  
Las autorizaciones se guardan.  
Aparece la indicación "Continuar menú de llaves".

- Sí: programar otra llave inteligente
  - No: salir del menú de llaves
12. Pulsar el botón de información.

#### Selección de la forma del cepillo

Esta función es necesaria al cambiar el cabezal de limpieza.

1. Girar el botón de información hasta que la opción de menú "Cabezal de cepillos" aparezca en la pantalla.
2. Pulsar el botón de información.
3. Girar el botón de información hasta que aparezca marcada la forma del cepillo deseada.
4. Pulsar el botón de información.
5. Para cambiar el cabezal de limpieza, mueva el accionamiento elevador girando el botón de información:
  - "up": Levantar
  - "down": Bajar
  - "OFF": Parada
6. Girar el botón de información hasta que se muestre la opción de menú "OFF".
7. Pulsar el botón de información.  
Se abandona el menú.  
El control realiza un reinicio.

#### Tiempos de marcha en inercia

1. Girar el botón de información hasta que la opción de menú "Tiempos de marcha en inercia" aparezca en la pantalla.
2. Pulsar el botón de información.
3. Girar el botón de información hasta que se marque la función deseada.
4. Pulsar el botón de información.
5. Girar el botón de información hasta que se muestre el tiempo de marcha en inercia deseado.
6. Pulsar el botón de información.

#### Ajuste básico

1. Girar el botón de información hasta que la opción de menú "Ajuste básico" aparezca en la pantalla.
2. Pulsar el botón de información.
3. Girar el botón de información hasta que aparezca marcado el accesorio deseado.
4. Pulsar el botón de información para confirmar ON/OFF.
5. Pulsar el botón de información para abandonar el menú.
6. Apagar y volver a encender el aparato para adoptar la configuración.

#### Establecer el idioma

1. Girar el botón de información hasta que la opción de menú "Idioma" aparezca en la pantalla.
2. Pulsar el botón de información.
3. Girar el botón de información hasta que esté marcado el idioma deseado.
4. Pulsar el botón de información.

#### Menú de conmutación

Las siguientes funciones se conectan y desconectan a través del «Menú de conmutación»:

- Dosificación del detergente\*
- Lámpara de advertencia omnidireccional/faro\*
- Boquillas de pulverización de los cepillos laterales\*
- Aspiración por pulverización
- Faro de trabajo
- Enjuague de depósito

El «Menú de conmutación» está disponible en todas las posiciones del interruptor de programas, excepto en «OFF».

1. Pulsar el botón de información.  
Aparece la indicación «Menú de conmutación».
  2. Pulsar el botón de información.  
Se muestra la lista de las funciones disponibles en el aparato.
  3. Girar el botón de información hasta que se destaque el funcionamiento deseado:
  4. Pulsar el botón de información para modificar el estado de conmutación.
  5. Girar el botón de información hasta que aparezca "¿Salir del menú?".
  6. Pulsar el botón de información.
- \* Opcional

#### Ajuste de la velocidad de conducción máxima

1. Girar el botón de información hasta que la opción de menú «Velocidad de conducción» aparezca en la pantalla.
2. Pulsar el botón de información.
3. Girar el botón de información hasta que se marque la velocidad máxima deseada.
4. Pulsar el botón de información.

#### Ajuste de fábrica

Se restablece la configuración de fábrica de todos los parámetros (excepto velocidad de desplazamiento de transporte).

1. Girar el botón de información hasta que se muestre la opción de menú "Ajuste de fábrica".
2. Pulsar el botón de información.
3. Girar el botón de información hasta que se resalte "Sí".
4. Pulsar el botón de información.

#### Ajuste de los parámetros para los programas de limpieza

Todos los parámetros para los programas de limpieza se guardan hasta que se seleccione otra configuración o se desconecte el equipo.

1. Ajustar el interruptor de programa al programa de limpieza deseado.
2. Pulsar el botón de información.  
Aparece el primer parámetro ajustable.
3. Pulsación del botón de información  
El valor establecido parpadea.
4. Ajustar el valor deseado girando el botón de información.
5. Confirmar el ajuste modificado pulsando el botón de información o esperar hasta que el valor ajustado se confirme de forma automática tras un período de 10 segundos.
6. Seleccionar el siguiente parámetro girando el botón de información.
7. Tras modificar todos los parámetros deseados, girar el botón de información hasta que aparezca la opción de menú "¿Salir del menú?".
8. Pulsar el botón de información.  
Se abandona el menú.

#### Ajuste básico

Las modificaciones de los parámetros de cada uno de los programas de limpieza realizadas durante el funcionamiento se restablecen al ajuste básico tras desconectar el equipo.

1. Girar el botón de información hasta que la opción de menú "Ajuste básico" aparezca en la pantalla.
2. Pulsar el botón de información.
3. Girar el botón de información hasta que aparezca marcado el programa de limpieza deseado.
4. Pulsar el botón de información.
5. Girar el botón de información hasta que aparezca marcado el parámetro deseado.
6. Pulsar el botón de información.  
El valor establecido parpadea.
7. Ajustar el valor deseado girando el botón de información.
8. Pulsar el botón de información.

#### Intelligent Key amarilla

La Intelligent Key amarilla autoriza las funciones necesarias para la tarea de limpieza.

Los parámetros para los diversos programas de limpieza están preestablecidos en el equipo. Dependiendo de la autorización de la Intelligent Key amarilla, se pueden cambiar los parámetros individuales.

Los textos en pantalla para el ajuste de parámetros se explican en gran medida por sí mismos.

Parámetro "FACT" (solo disponible con el cabezal de limpieza R):

- "Fine Clean": baja velocidad de rotación de cepillos para eliminar la película gris del gres cerámico fino.
- "Whisper Clean": velocidad media de rotación de cepillos para la limpieza de mantenimiento con un nivel sonoro reducido.
- "Power Clean": alta velocidad de rotación de cepillos para pulir, cristalizar y barrer.

#### Gestión de autorizaciones

- Acceso general a través de la Intelligent Key
  - Velocidad de trabajo
  - Velocidad de rotación de cepillos
  - Sistema de aspiración
  - Presión empuje
  - Cantidad de agua
  - Dosificación del detergente
  - RAB/Blue-Spot
  - Aspiración por pulverización
  - Enjuague de depósito
1. Seleccionar el menú "Menú de llaves" con el botón de información.
  2. Confirmar el "acceso" pulsando el botón de información.
  3. Definir los demás accesos y activarlos y confirmarlos con el botón de información.
  4. Pulsar "¿Guardar?" con el botón de información para confirmar y guardar los ajustes realizados.

#### Intelligent Key blanca

Al insertar una Intelligent Key blanca, se desbloquea el aparato y permite que se utilice con los parámetros previamente configurados.

Las Intelligent Key blancas son aplicables de tal manera que se puede crear una Intelligent Key con parámetros adaptados para cada orden de limpieza.

El operario no puede modificar los parámetros, los cuales son independientes de la selección del programa de limpieza en el selector de programas (las funciones de «0», transporte y aspirar no se modifican).

Con la ayuda de la Intelligent Key gris, se pueden ajustar los siguientes parámetros para la Intelligent Key blanca:

- Velocidad de conducción
- Velocidad de trabajo
- Velocidad de rotación de cepillos (solo cabezal de limpieza R)
- Presión empuje
- Cantidad de agua
- Dos. detergente
- Sistema de aspiración
- Luz de trabajo
- Lámpara de advertencia omnidireccional
- Dosificación de detergente ON/OFF
- Dispositivo de barrido previo
- Válvula de agua de la barra de aspiración
- Idioma

### Programar una Intelligent Key blanca

1. Insertar la Intelligent Key gris.
2. Girar el botón de información hasta que aparezca la opción de menú "Menú de llaves" en la pantalla.
3. Pulsar el botón de información.
4. Retirar la Intelligent Key gris e insertar la Intelligent Key blanca para personalizarla.
5. Seleccionar el elemento del menú que se va a cambiar girando el botón de información.
6. Pulsar el botón de información.
7. Seleccionar el ajuste del elemento del menú girando el botón de información.
8. Confirmar el ajuste presionando la opción de menú.
9. Seleccionar la siguiente opción de menú que se va a cambiar girando el botón de información.
10. Girar el botón de información hasta que se muestre la opción de menú "¿Guardar?".
11. Pulsar el botón de información.  
Los ajustes se guardan.
12. Girar el botón de información hasta que se muestre la opción de menú "¿Salir del menú?".
13. Pulsar el botón de información.

### Funcionamiento con Intelligent Key blanca

1. Insertar la Intelligent Key blanca.
- Las funciones «OFF», desplazar y aspirar funcionan como de costumbre.
  - En todas las demás posiciones del selector de programas, se activan los parámetros programados en la Intelligent Key blanca. Ya no se pueden seleccionar diferentes programas de limpieza.

## Transporte

### ⚠ PELIGRO

#### Circulación por superficies inclinadas

Peligro de lesiones

Utilizar el equipo para la carga y descarga únicamente sobre superficies inclinadas de hasta el valor máximo (véase el capítulo "Datos técnicos").

Pise siempre el pedal del freno para reducir la velocidad.

### ⚠ PRECAUCIÓN

#### Inobservancia del peso

Peligro de lesiones y daños

Tenga en cuenta el peso del equipo durante el transporte.

1. Con el cabezal de limpieza D instalado, retirar los cepillos circulares del cabezal de cepillos.

2. Al transportar el equipo en vehículos, asegurarlo para evitar que resbale y vuelque conforme a las directivas vigentes.

## Almacenamiento

### ⚠ PRECAUCIÓN

#### Inobservancia del peso

Peligro de lesiones y daños

Tenga en cuenta el peso del equipo para su almacenamiento.

### ⚠ CUIDADO

#### Helada

Destrucción del equipo debido a agua congelada

Vacíe todo el agua del equipo.

Conserve el equipo en un lugar sin heladas.

Al elegir el espacio de estacionamiento, tenga en cuenta el peso total del equipo para que su estabilidad no se vea afectada.

- Este equipo solo debe almacenarse en interiores.
- Cargar las baterías completamente antes de guardarlas durante mucho tiempo.
- Cargar completamente las baterías una vez al mes como mínimo mientras estén guardadas.

## Conservación y mantenimiento

### ⚠ PELIGRO

#### ¡Riesgo de lesiones por el equipo!

Peligro de choques eléctricos causados por un equipo que se arranque involuntariamente.

Gire el interruptor de programa a la posición "0".

Tirar de la Intelligent Key antes de realizar cualquier trabajo en el equipo.

Extraer el conector de red del cargador.

Desenchufe el conector de la batería.

### ⚠ ADVERTENCIA

#### ¡Riesgo de lesiones por elementos en movimiento!

Tras la desconexión, la turbina de aspiración, los cepillos laterales y la limpieza del filtro siguen funcionando.

No realice ningún trabajo en el equipo hasta que los componentes de construcción se hayan detenido.

- Purgar y eliminar el agua sucia y el agua limpia.

## Intervalos de mantenimiento

### Tras cada servicio

### ⚠ CUIDADO

#### Peligro de daños

Peligro de daños al equipo debido a una limpieza inadecuada.

No pulverice el equipo con agua y no use detergentes agresivos.

Para la descripción detallada de los diferentes trabajos de mantenimiento, véase el capítulo *Trabajos de mantenimiento*.

- Purgar el agua sucia.
- Comprobar el filtro de pelusas y limpiarlo en caso necesario.
- Sacar, vaciar y limpiar los recipientes para la suciedad.
- Solo cabezal de limpieza R: sacar el depósito de suciedad gruesa y vaciarlo.
- Solo para la variante Combo: Extraer el depósito de suciedad gruesa de la unidad de prebarrido, vaciarlo y limpiarlo.

- Limpiar el exterior del equipo con un paño humedecido en lejía.
- Limpiar los labios de aspiración, comprobar el desgaste y sustituirlos si es necesario.
- Limpiar los labios rascadores, comprobar el desgaste y sustituirlos si es necesario.
- Limpiar los cepillos, comprobar el desgaste y sustituirlos si es necesario.

## Nota

Los cilindros de cepillos están desgastados si las cerdas amarillas indicadoras tienen la misma longitud que las otras cerdas.

- Cargar la batería de plomo-ácido.
  - Si el estado de carga es inferior al 50 %, cargar completamente la batería sin interrupción.
  - Si el estado de carga es superior al 50 %, recargar la batería solo si se necesita un tiempo de funcionamiento completo durante la próxima utilización.
- Limpie el depósito de agua sucia si hay mucha suciedad.

### Semanalmente

- Con un servicio regular, cargar la batería de plomo-ácido por completo y sin interrupción una vez por semana como mínimo.

### Mensualmente

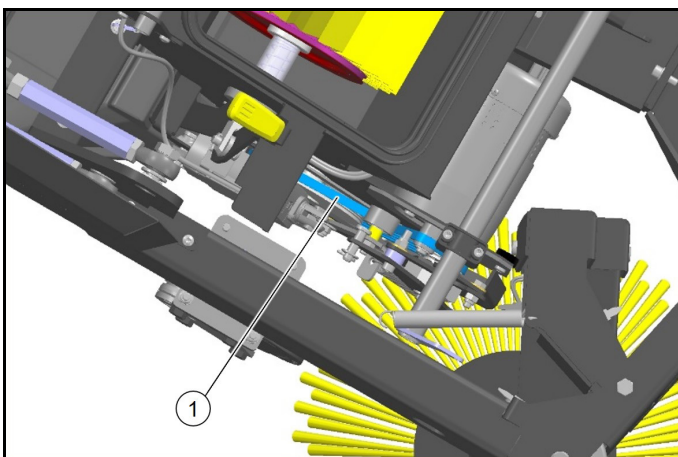
- Si el equipo se detiene temporalmente (almacenamiento): realizar la carga de compensación de la batería.
- Comprobar la oxidación de los polos de la batería y cepillarlos en caso necesario. Comprobar que el cable de conexión está bien fijado.
- Limpiar las juntas entre el depósito de agua sucia y la tapa y comprobar la estanqueidad. Sustituir en caso necesario.
- Si se trata de baterías que necesitan mantenimiento, comprobar la densidad del ácido de las celdas.
- Solo cabezal de limpieza R: limpiar el túnel del cepillo.
- Durante largos tiempos de inactividad, desconectar el equipo con la batería completamente cargada. Cargar completamente la batería correspondiente una vez al mes como mínimo.

### Además, para la variante Combo:

- Compruebe si los cables Bowden y las piezas móviles se mueven con facilidad.
- Compruebe el ajuste y el desgaste de los cubrejuntas en el dispositivo de barrido.

### Trimestralmente

Solo para la variante Combo:



- ① Correa del accionamiento del cepillo cilíndrico de barrido

1. Comprobar la tensión, el desgaste y el funcionamiento de la correa de transmisión del equipo de barrido.

## Nota

Encargue al servicio de postventa la sustitución de una correa dañada o desgastada.

### Anualmente

- Solicitar al servicio técnico la inspección obligatoria.

### Inspección de seguridad/contrato de mantenimiento

Puede acordar con su distribuidor una inspección de seguridad periódica o firmar un contrato de mantenimiento. Obtenga asesoramiento.

### Trabajos de mantenimiento

#### Limpieza del depósito de agua sucia

1. Ajuste el programa Enjuague de depósito a través del display con el botón de información.
2. Abrir la tapa del orificio de limpieza del depósito de agua sucia.
3. Enjuagar el depósito de agua sucia con agua limpia.
4. Limpie el borde de la abertura de limpieza.
5. Vuelva a cerrar la tapa de la abertura de limpieza del depósito de agua sucia.

## Nota

La limpieza también puede realizarse a través de otras fuentes de agua.

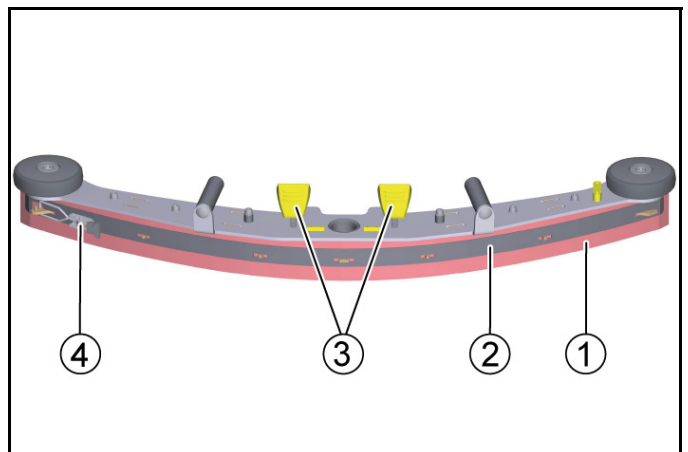
### Giro o sustitución de los labios de aspiración

Si los labios de aspiración están desgastados, deben girarse o sustituirse.

## Nota

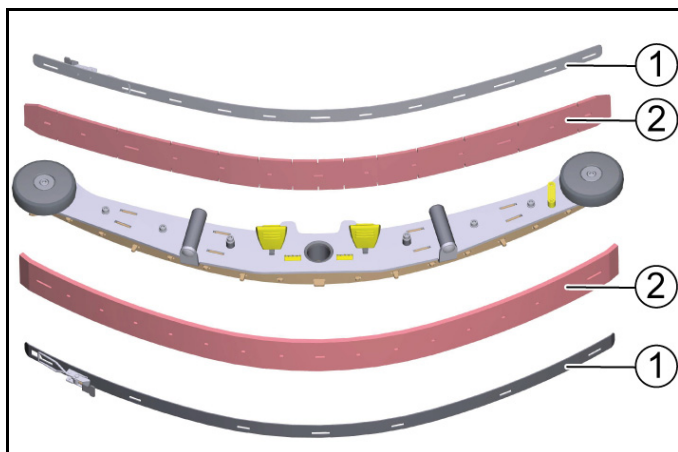
Los labios de aspiración se pueden girar tres veces hasta que los cuatro bordes estén desgastados.

1. Abra la palanca excéntrica (2 uds.).
2. Retirar la barra de aspiración.



- ① Labio rascador
  - ② Cinta de sujeción
  - ③ Palanca excéntrica (2 uds.)
  - ④ Cierre de tensión
3. Abrir el cierre de tensión.
  4. Retirar la cinta de sujeción.
  5. Retire el labio rascador.

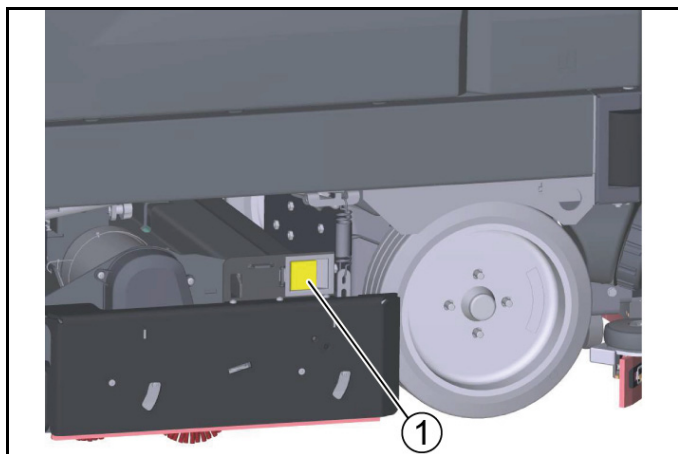
6. Presionar los labios de aspiración girados o nuevos sobre las perillas de la parte interior de la barra de aspiración.



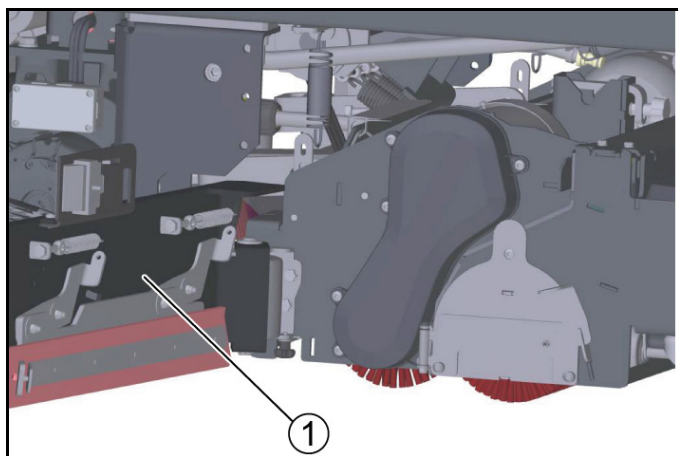
- ① Cinta de sujeción
- ② Labio rascador
7. Colocar la cinta de sujeción.
8. Inserte el labio trasero de aspiración
9. Cierre las palancas excéntricas (2 uds.).

### Sustitución de los cilindros de cepillos

1. Tire de la pestaña.

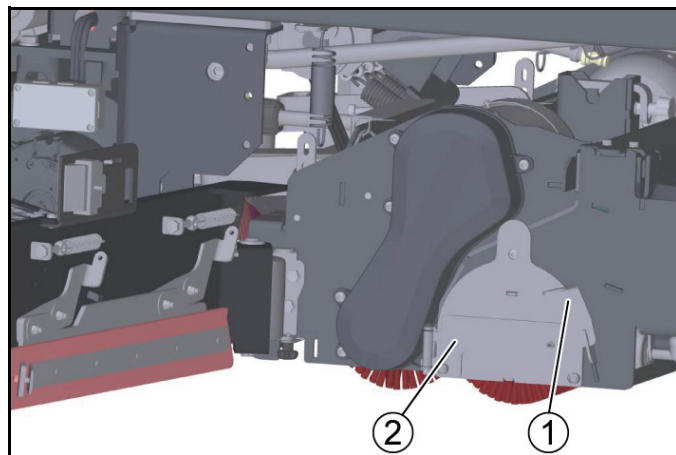


- ① Pestaña
2. Abra el labio rascador de la puerta lateral.



- ① Labio rascador de la puerta lateral

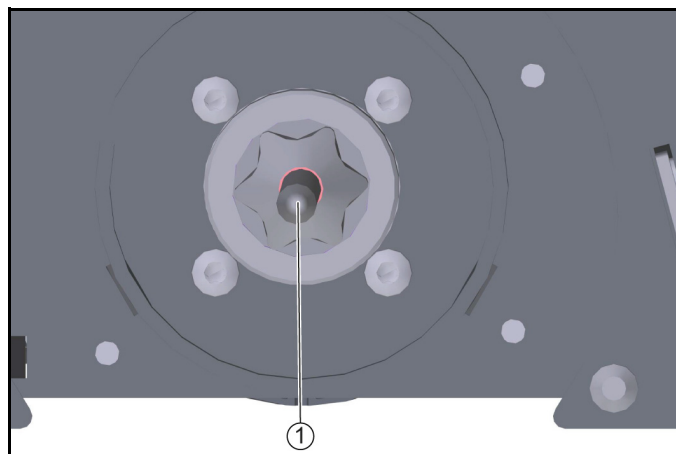
3. Girar el pasador amarillo hacia arriba.



- ① Pasador
- ② Palanca de fijación
4. Retire la palanca de fijación.
5. Retire la placa de retención del cepillo.
6. Retire el cilindro de cepillos.
7. Inserte el nuevo cilindro de cepillos.

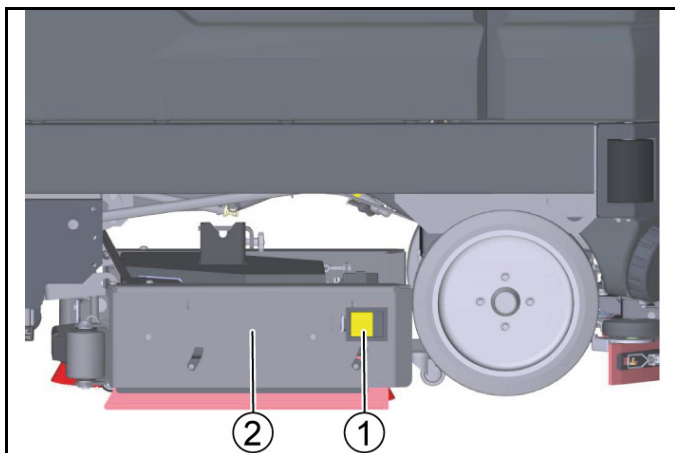
### Nota

Asegúrese de que al insertar el cilindro de cepillos, este debe colocarse en el PIN previsto en el túnel de la escobilla.

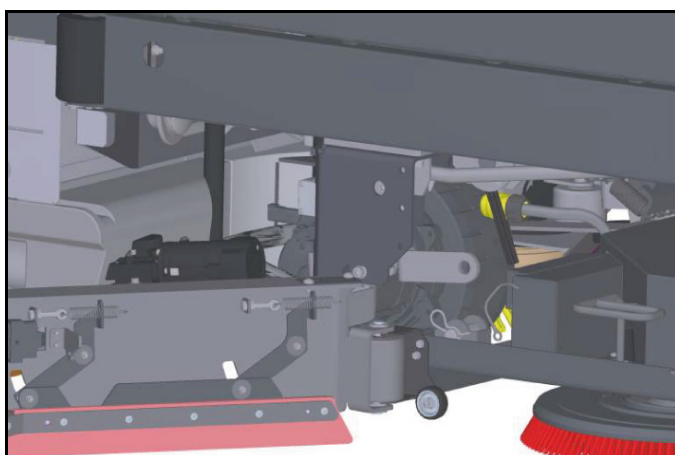


- ① PIN
  8. Vuelva a colocar la placa de retención de la escobilla.
  9. Cierre la tapa de seguridad.
  10. Gire el pestillo hacia abajo en el gancho.
  11. Cierre el labio rascador de la puerta lateral.
- Repetir el proceso en el lado opuesto.

### Sustituir los labios rascadores



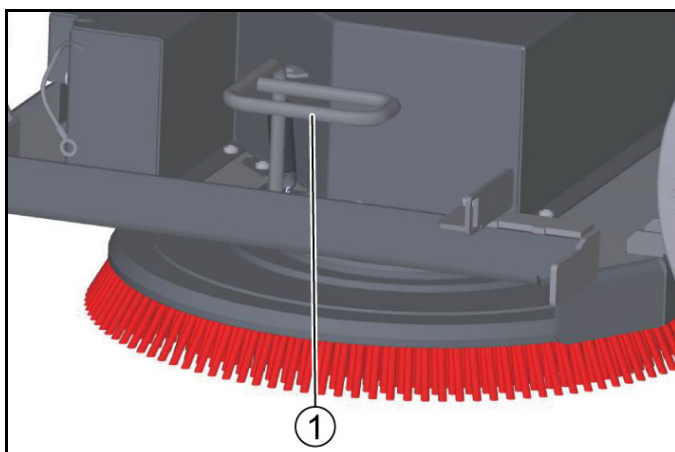
- ① Pestaña
  - ② Labio rascador de la puerta lateral
1. Tire de la pestaña.
  2. Abra el labio rascador de la puerta lateral.
  3. Desenrosque los tornillos (6 uds.)



4. Vuelva a colocar el labio rascador.
5. Vuelva a instalar los tornillos (6 uds.).
6. Vuelva a cerrar el soporte del labio rascador.

### Sustitución de los cepillos circulares

1. Tire de la pestaña de la puerta lateral.

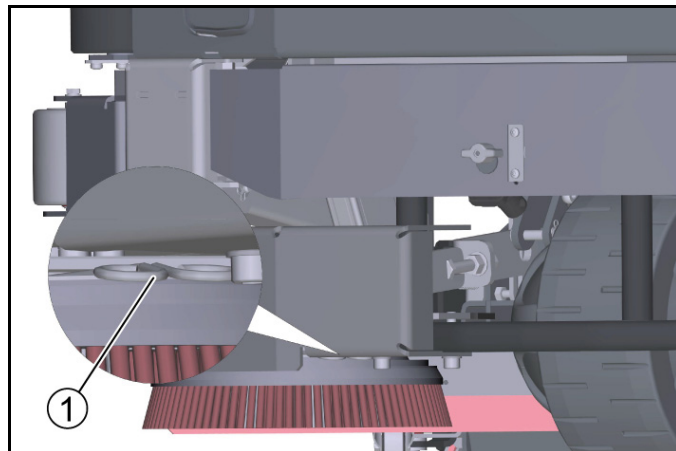


- ① Estribo
2. Abra el labio rascador de la puerta lateral.
  3. Presione el estribo hacia abajo.
  4. Extraer el cepillo circular lateralmente por debajo del cabezal de limpieza.
  5. Mantener el nuevo cepillo circular bajo el cabezal de limpieza, presionar hacia arriba y encajarlo.
  6. Vuelva a cerrar el labio rascador de la puerta lateral.

### Trabajos adicionales de mantenimiento en el conjunto de frotadores laterales

#### Limpeza del cepillo

1. Gire la escobilla en el sentido de las agujas del reloj hasta que el soporte de la escobilla de muelle esté orientado hacia delante.
2. Desmonte el soporte de la escobilla de muelle.



- ① Soporte de la escobilla de muelle  
El cepillo se cae de la sujeción.
3. Compruebe si hay objetos extraños en el cepillo (por ejemplo, cinta adhesiva o papel de aluminio).
  4. Limpie los cepillos con agua corriente.
  5. Separe el soporte de la escobilla de muelle e introduzca el cepillo.

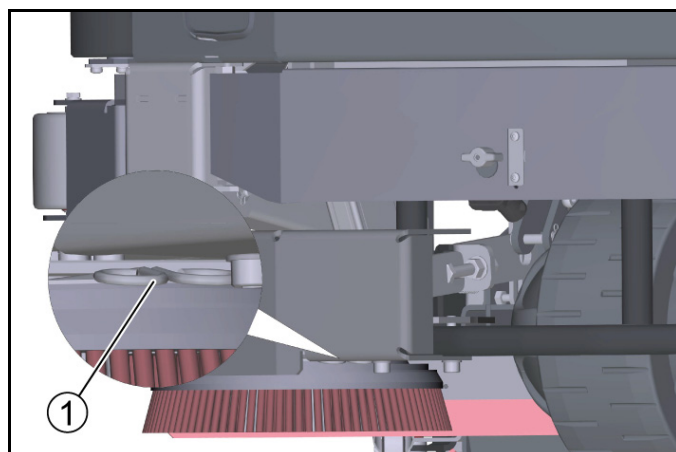
#### Comprobar si el cepillo presenta desgaste

El cepillo está desgastado cuando la longitud de las cerdas corresponde a la longitud de la cerda indicadora amarilla.

1. Sustituya la escobilla (véase *Sustitución del cepillo*).

#### Sustitución del cepillo

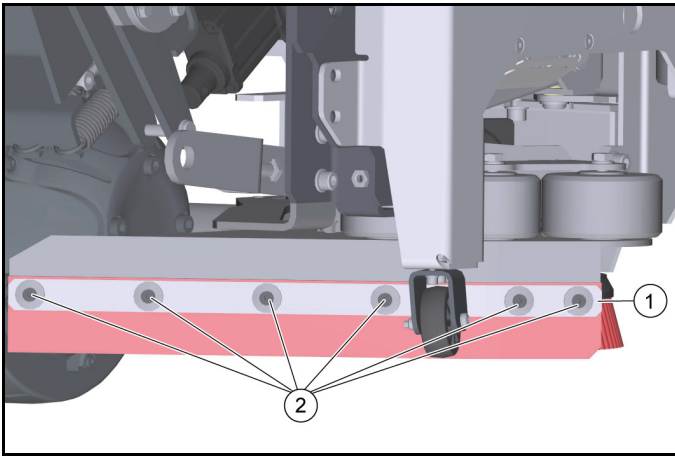
1. Gire la escobilla en el sentido de las agujas del reloj hasta que el soporte de la escobilla de muelle esté orientado hacia delante.
2. Desmonte el soporte de la escobilla de muelle.



- ① Soporte de la escobilla de muelle  
El cepillo se cae de la sujeción.
3. Coloque el nuevo cepillo.
  4. Separe el soporte de la escobilla de muelle e introduzca el cepillo.

### Sustituir el labio rascador

1. Desenroscar el tornillo M6 x 12 (6 uds.).



① Chapa de sujeción

② Tornillo M6 x 12

2. Retire la chapa de sujeción y el labio rascador.
3. Coloque el nuevo labio rascador en la placa de retención.
4. Fije la placa de retención con el tornillo M6 x 12 (6x).

### Trabajos de mantenimiento en la unidad de prebarrido (solo para la variante Combo)

## ⚠ PELIGRO

#### Peligro de aplastamiento y cizallamiento.

Peligro de aplastamiento y cizallamiento por el funcionamiento de las transmisiones por correa.

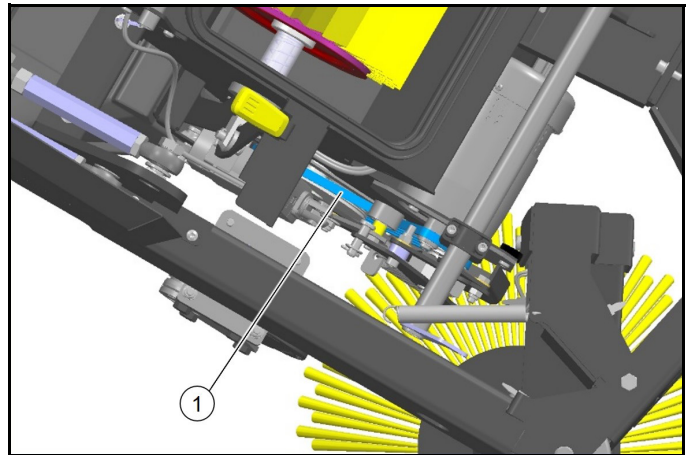
Antes de volver a poner el equipo en funcionamiento después de los trabajos de mantenimiento, es imprescindible cerrar y bloquear la cubierta de la unidad de prebarrido.

### Comprobar la correa de transmisión

1. Abrir el cierre del asa, girar la cubierta hacia arriba y bloquear el soporte.



2. Comprobar la tensión, el desgaste y el funcionamiento de la correa del accionamiento del cepillo cilíndrico de barrido.



- ① Correa del accionamiento del cepillo cilíndrico de barrido

## Nota

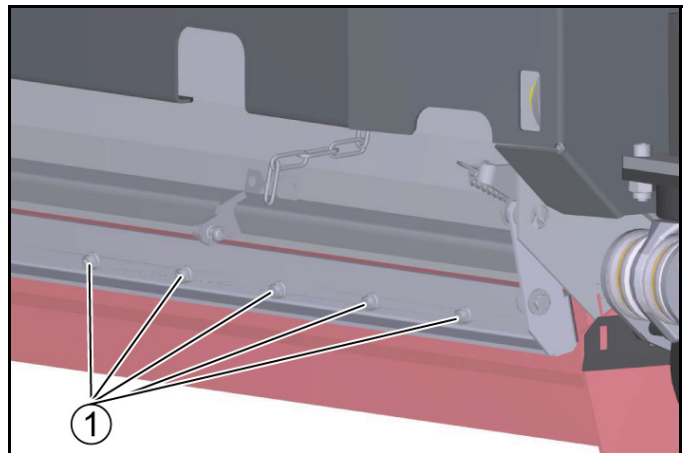
Encargue al servicio de postventa la sustitución de una correa dañada o desgastada.

### Comprobar las tiras de sellado del equipo de barrido

1. Depositar el equipo sobre una superficie plana.
2. Colocar el selector de programas en "0".
3. Asegure el equipo con la calza para evitar movimientos involuntarios.
4. Extraer el recipiente para la suciedad.

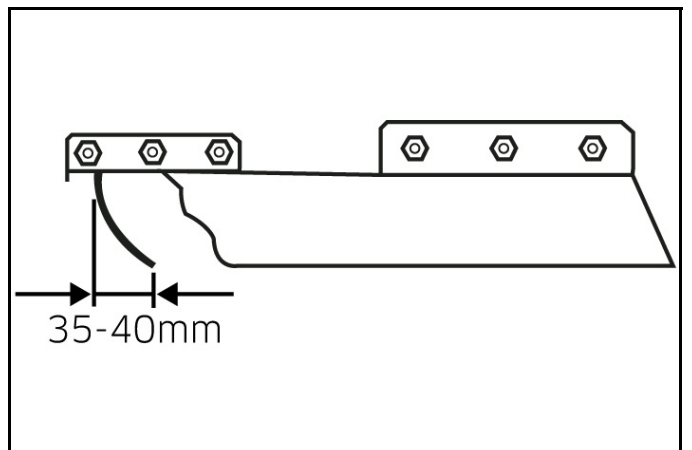
### Cubrejuntas delantero

5. Aflojar las tuercas (5 uds.).



① Tuerca

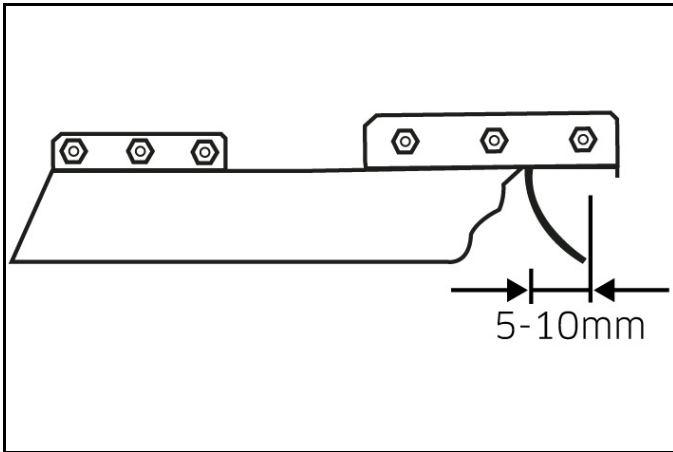
6. Orientar el cubrejuntas de forma que se mueva hacia atrás con una marcha de inercia de 35-40 mm.



7. Apriete las tuercas (5 uds.).

### Cubrejuntas trasero

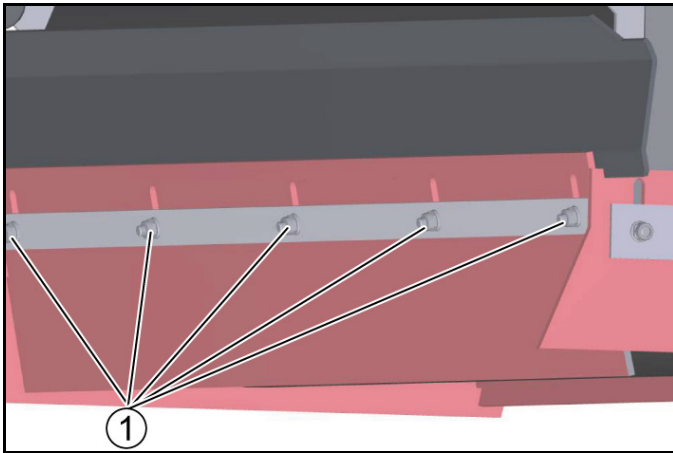
Ajustar la distancia al suelo del cubrejuntas trasero de forma que se mueva hacia atrás con una marcha de inercia de 5-10 mm.



8. Sustituya la banda de sellado cuando esté desgastada.

9. Desmonte el cepillo cilíndrico (consulte el capítulo *Sustituir el cepillo cilíndrico de barrido*).

10. Aflojar los tornillos (5x).



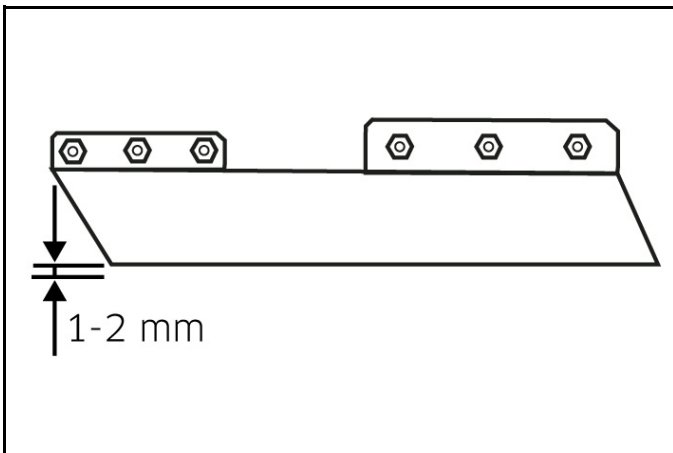
① Tornillo

11. Inserte la nueva banda de sellado.

12. Apretar los tornillos (5x).

### Cubrejuntas laterales

13. Aflojar los tornillos de fijación.



14. Ajuste la distancia del suelo insertando una capa base de 1-2 mm de grosor.

15. Alineación de la banda de sellado.

16. Apriete los tornillos.

17. Montar el cepillo cilíndrico de barrido.

## Sustitución del filtro de polvo

# ⚠ PELIGRO

### Riesgo para la salud debido al polvo

Llevar una máscara antipolvo y gafas de protección al realizar tareas en la instalación de los filtros.

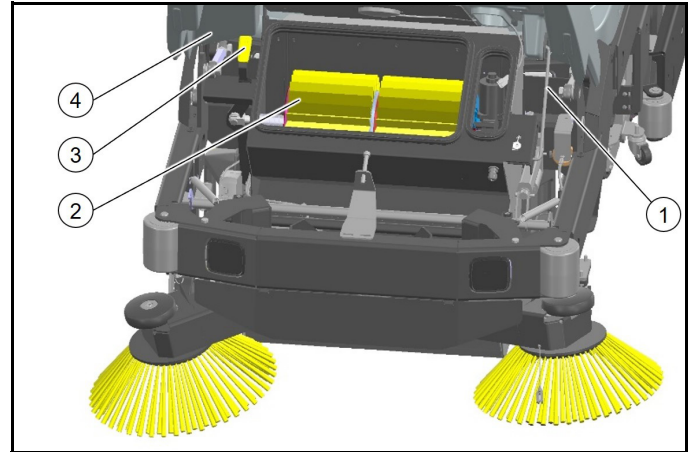
Tener en cuenta las reglamentaciones de seguridad a la hora de manipular polvo fino.

1. Desconectar la máquina, véase el capítulo *Finalización del servicio*.

### Desmontaje:

2. Esperar al menos 1 minuto hasta que la limpieza automática del filtro de polvo haya finalizado y el polvo se haya asentado en la caja del filtro.

3. Abrir el cierre del asa, girar la cubierta hacia arriba y bloquear el soporte.



① Soporte

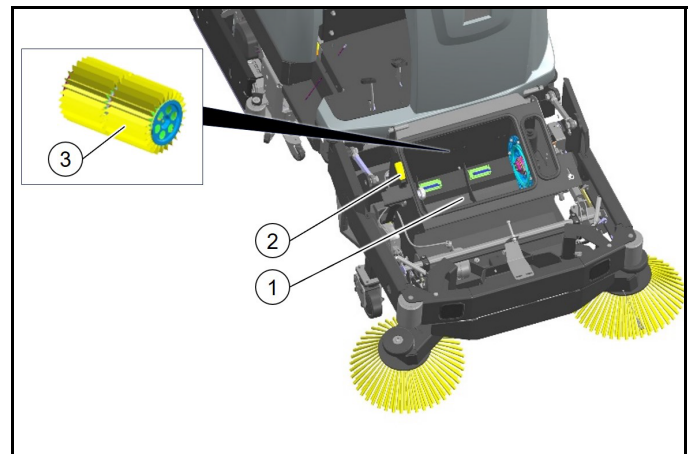
② Filtro de polvo

③ Palanca

④ Compartimentos

4. Mover la palanca en la dirección de marcha hacia la derecha para colocarla en el dispositivo de fijación.

5. Extraer el filtro de polvo hacia arriba.



① Compartimentos

② Palanca

③ Filtro de polvo

### Limpieza:

6. Comprobar si el filtro de polvo presenta contaminación o daños y limpiarlo o sustituirlo si es necesario.

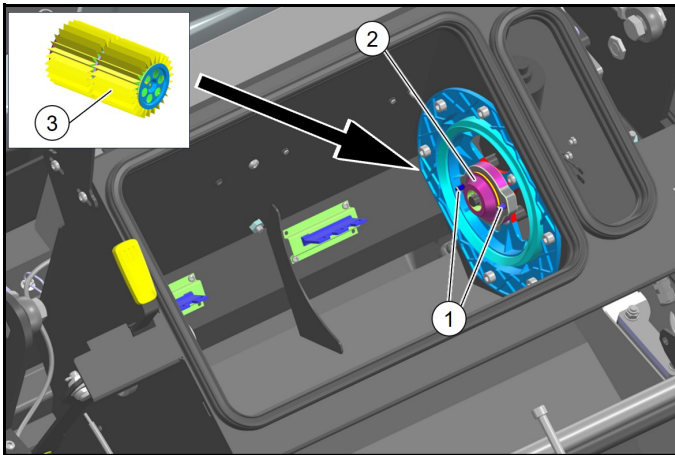
# ⚠ CUIDADO

No limpiar el filtro de polvo con aire comprimido ni cepillarlo. Para limpiarlo, golpearlo suavemente o aspirarlo.

7. Limpiar la carcasa del filtro de polvo.

### Montaje:

- Colocar el filtro de polvo en el eje de accionamiento de forma que los pasadores de accionamiento se sitúen en las aberturas laterales del filtro de polvo.

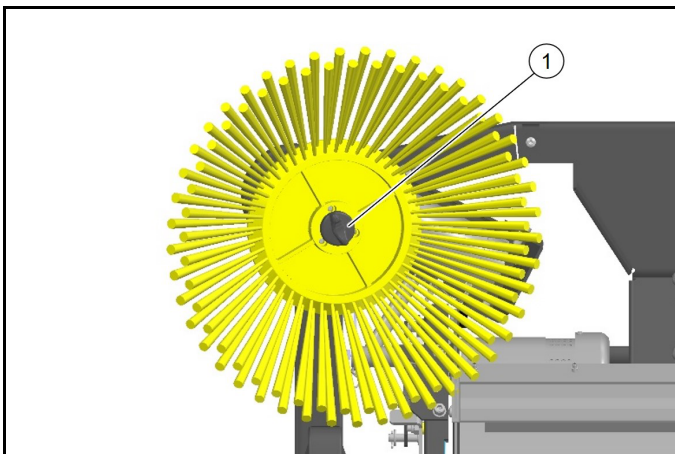


- Pasador de accionamiento
- Árbol motor
- Filtro de polvo

- Soltar la palanca del dispositivo de fijación y desplazarla hacia la izquierda en la dirección de marcha.
- Soltar el soporte del dispositivo de fijación y girar la cubierta hacia abajo.

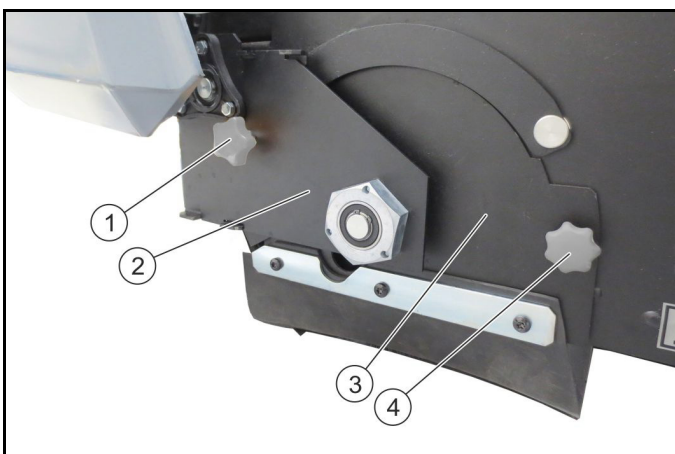
### Sustituir los cepillos laterales

- Desenroscar la empuñadura en estrella.



- Empuñadura en estrella
- Desmontar el cepillo lateral.
- Colocar el nuevo cepillo lateral.
- Enroscar y apretar la empuñadura en estrella.

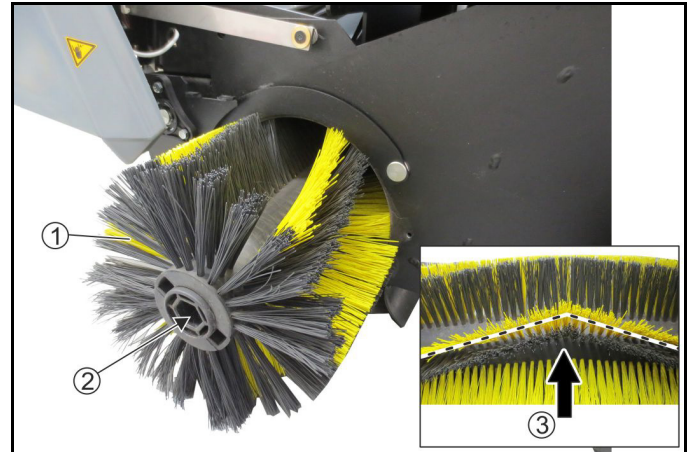
### Sustituir el cepillo cilíndrico de barrido



- Empuñadura en estrella, izquierda

- Placa de alojamiento
- Placa de cubierta
- Empuñadura de estrella, derecha

- Tirar del perno de bloqueo hacia delante y girar hacia fuera el rodillo de dirección lateral de la unidad de prebarrido.
- Desenroscar la empuñadura de estrella izquierda.
- Saque la placa de alojamiento.
- Desenroscar la empuñadura de estrella derecha.
- Retire la placa de cubierta.



- Cepillo cilíndrico de barrido
- Alojamiento del cepillo cilíndrico de barrido
- Dirección de marcha hacia adelante
- Extraer el cepillo cilíndrico de barrido.
- Compruebe el nivel de desgaste y la presencia de cintas enrolladas.
- En caso necesario: Monte un nuevo cepillo cilíndrico de barrido.
- Preste atención a la posición de montaje correcta (los alojamientos del cepillo cilíndrico de barrido son idénticos).
- Montar la placa de cubierta y la placa de alojamiento en el orden inverso.
- Girar el rodillo de dirección lateral de la unidad de prebarrido y bloquearlo en su sitio.

### Protección contra las heladas

Si hay riesgo de heladas:

- Vaciar el depósito de agua fresca y el depósito de agua sucia.
- guardar el equipo en una habitación protegida contra las heladas.

### Ayuda en caso de fallos

## ⚠ PELIGRO

**Peligro de lesiones debido a un arranque involuntario del equipo.**

El arranque involuntario del equipo puede causar lesiones a las personas que trabajan en él.

Tire de la Intelligent Key antes de realizar cualquier trabajo en el equipo.

Antes de realizar cualquier trabajo, desconecte el conector de red del cargador.

Desconecte el conector de la batería antes de realizar cualquier trabajo.

## ⚠ ADVERTENCIA

### ¡Riesgo de lesiones por elementos en movimiento!

Tras la desconexión, la turbina de aspiración, los cepillos laterales y la limpieza del filtro siguen funcionando.

No realice ningún trabajo en el equipo hasta que los componentes de construcción se hayan detenido.

1. Purgar el agua sucia.
2. Drenar el agua fresca restante.

## Nota

Si el fallo no se puede resolver con las siguientes instrucciones, ponerse en contacto con el servicio de posventa.

### Sustituir los fusibles

El operario solo puede sustituir los fusibles planos para automóviles con los siguientes valores:

- 5 A: alimentación de control y emergencia
- 20 A por carrera/alimentación del módulo de accesorios
- 50A - Módulo de elevación/limpieza 3

## CUIDADO

### Daños en el control.

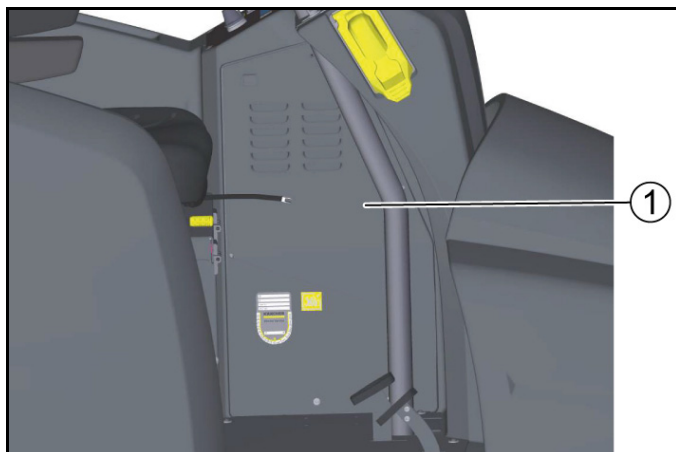
La sustitución incorrecta de los fusibles puede causar daños en el control.

El servicio de postventa solo sustituye los fusibles de polos defectuosos. Si los fusibles de los polos están defectuosos, las condiciones de funcionamiento y todo el sistema de control deben ser revisados por el servicio de postventa.

El control se encuentra debajo de la terminal de control. Para acceder a los fusibles, retire la cubierta situada en el lado izquierdo del espacio para los pies.

## Nota

La asignación de los fusibles se encuentra en el interior de la cubierta.



### ① Cubierta

1. Desenroscar el tornillo (3 uds.).
2. Retire la cubierta.
3. Sustituya el fusible.
4. Colocar la cubierta.

### Sustituir los fusibles de la unidad de prebarrido (solo variante Combo)

El operario solo puede sustituir los fusibles con los siguientes valores:

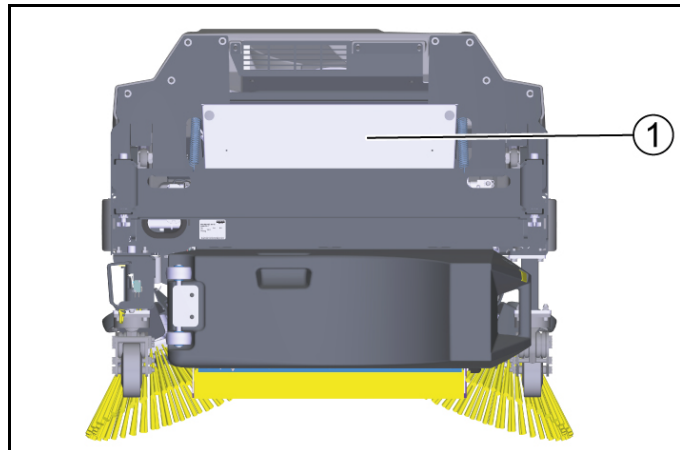
- 100A - Fusible en línea del módulo Curtis
- 30A - Alimentación de tensión del módulo Curtis
- 10A - Interruptor del campo de control
- 20A - Contactor principal y módulo KSI Curtis

## CUIDADO

### Daños en el control.

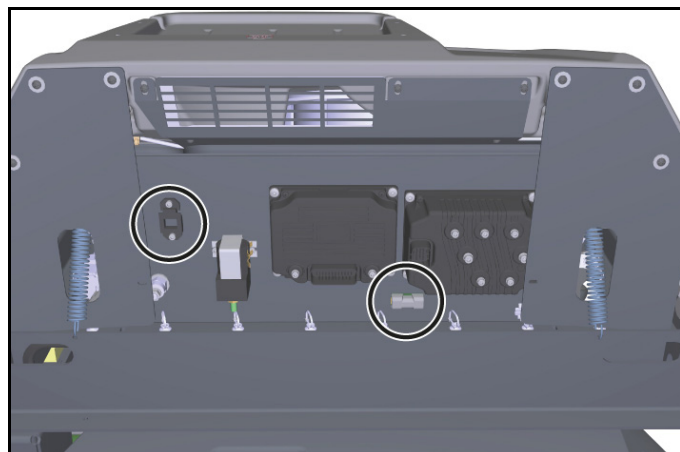
La sustitución incorrecta de los fusibles puede causar daños en el control.

El servicio de postventa solo sustituye los fusibles de polos defectuosos. Si los fusibles de los polos están defectuosos, las condiciones de funcionamiento y todo el sistema de control deben ser revisados por el servicio de postventa.



### ① Cubierta

1. Retirar las tapas de la izquierda y la derecha.
2. Aflojar los dos tornillos de la cubierta.
3. Retire la cubierta.
4. Sustituya el fusible.



### ① Cubierta

5. Colocar la cubierta.

### Fallos con indicación en la pantalla

En caso de que se indiquen averías en la pantalla, proceder de la siguiente manera:

- Visualización de averías con código numérico

En caso de que aparezca una avería con un código numérico, primero restablecer el error (el equipo):

- a Colocar el selector de programas en "0".
- b Esperar a que el display esté desconectado.
- c Ajustar el interruptor de selección de programas en el programa anterior.

Cuando aparezca de nuevo el fallo, seguir las medidas de solución correspondientes en el orden indicado. Para ello, se debe poner el interruptor selección de programas en la posición «0» y desenchufar la Intelligent Key.

- d Si no se consigue resolver la avería, llamar al servicio de postventa e indicar el mensaje de error.

- Visualización de averías con texto
  - a Seguir las instrucciones en pantalla.
  - b Confirmar la avería presionando el botón de información.

## Nota

Los mensajes de avería que no aparecen en la siguiente tabla indican errores que el operario no puede resolver por sí solo. En este caso, llame al servicio de atención al cliente.

Fallo	Solución
<b>Interruptor de asiento abierto.</b>	<ol style="list-style-type: none"> <li>1. Soltar el pedal acelerador.</li> <li>2. Ajuste el asiento del conductor al peso corporal correcto.</li> <li>3. Abandonar el asiento del conductor brevemente para que el control pueda verificar el funcionamiento del interruptor del asiento.</li> <li>4. Cargue completamente el asiento del conductor.</li> </ol>
<b>Soltar el acelerador.</b>	<ol style="list-style-type: none"> <li>1. Soltar el pedal del acelerador.</li> </ol>
<b>Batería descargada.</b>	<ol style="list-style-type: none"> <li>1. Cargar la batería.</li> </ol>
<b>Tensión de batería inadmisibles.</b>	<ol style="list-style-type: none"> <li>1. Contactar al servicio de postventa</li> </ol>
<b>Depósito de agua limpia vacío.</b>	<ol style="list-style-type: none"> <li>1. Rellenar el depósito de agua limpia.</li> </ol>
<b>Presión de los cepillos insuficiente.</b>	<ol style="list-style-type: none"> <li>1. Comprobar el desgaste de los cepillos y sustituirlos en caso necesario.</li> <li>2. Comprobar el funcionamiento del cabezal de limpieza: bajar, subir.</li> </ol>
<b>Depósito de agua sucia lleno.</b>	<ol style="list-style-type: none"> <li>1. Vacíe el depósito de agua sucia.</li> </ol>
<b>Freno defectuoso.</b>	<ol style="list-style-type: none"> <li>1. Dejar de conducir el equipo.</li> <li>2. Contactar al servicio de postventa</li> </ol>
<b>Motor demasiado caliente. Fase de enfriamiento</b>	<ol style="list-style-type: none"> <li>1. Colocar el interruptor de seguridad en la posición "0".</li> <li>2. Dejar que el equipo se enfríe durante, al menos, 15 minutos.</li> <li>3. Si se repite, llamar al servicio de postventa</li> </ol>
<b>Bocina defectuosa.</b>	<ol style="list-style-type: none"> <li>1. Contactar al servicio de postventa.</li> </ol>
<b>Cabezal CPU demasiado caliente. Fase de enfriamiento</b>	<ol style="list-style-type: none"> <li>1. Colocar el interruptor de seguridad en la posición "0".</li> <li>2. Dejar que el control se enfríe durante al menos 5 minutos.</li> <li>3. Reducir considerablemente la presión del cepillo en terrenos difíciles.</li> <li>4. Si se repite, llamar al servicio de postventa.</li> </ol>
<b>Accionamiento de cepillos sobrecargado.</b>	<ol style="list-style-type: none"> <li>1. Reduzca la presión de aplicación de cepillos.</li> <li>2. Compruebe si hay objetos extraños (por ejemplo, cinta de embalaje, trozos de madera) que bloqueen los cepillos.</li> </ol>
<b>Sin dirección de marcha.</b>	<ol style="list-style-type: none"> <li>1. Desconectar el equipo.</li> <li>2. Pulsar el interruptor de dirección de marcha hacia adelante y hacia atrás varias veces.</li> <li>3. Conectar el equipo.</li> <li>4. Ponerse en contacto con el servicio de postventa si el fallo persiste.</li> </ol>

### Averías sin indicación en el display

Fallo	Solución
<b>El equipo no se puede encender</b>	<ol style="list-style-type: none"> <li>1. Conectar el conector de la batería.</li> <li>2. Solo en batería de iones de litio: Pulsar la tecla On/Off situada en el borde inferior del display independiente.</li> <li>3. Colocar el interruptor de seguridad en "1".</li> <li>4. Insertar la Intelligent Key.</li> <li>5. Comprobar el fusible F1 y sustituirlo si es necesario, véase el capítulo <i>Sustituir los fusibles</i>.</li> <li>6. Comprobar las baterías y recargar en caso necesario.</li> </ol>
<b>La cantidad de agua es insuficiente</b>	<ol style="list-style-type: none"> <li>1. Verificar el nivel de llenado del agua fresca. Si es necesario llenar el depósito por completo para que el aire salga.</li> <li>2. Comprobar si las mangueras están obstruidas y limpiarlas en caso necesario.</li> <li>3. Retirar y limpiar el filtro de agua fresca.</li> <li>4. Abra la válvula de bola de agua fresca.</li> </ol>

Fallo	Solución
<b>La potencia de aspiración es insuficiente</b>	<ol style="list-style-type: none"> <li>1. Cerrar la tapa de la manguera de desagüe de agua sucia.</li> <li>2. Limpiar las juntas entre el depósito de agua sucia y la tapa y comprobar la estanqueidad. Sustituir en caso necesario.</li> <li>3. Limpie el filtro de la turbina.</li> <li>4. Limpiar los labios de aspiración en la barra de aspiración y, en caso necesario, sustituirlos.</li> <li>5. Comprobar si la manguera de aspiración está obstruida y limpiarla en caso necesario.</li> <li>6. Comprobar la estanqueidad de la manguera de aspiración y sustituirla en caso necesario.</li> <li>7. Comprobar el ajuste de la barra de aspiración.</li> </ol>
<b>El resultado de limpieza es deficiente</b>	<ol style="list-style-type: none"> <li>1. Ajustar el programa de limpieza apropiado para la tarea de limpieza.</li> <li>2. Usar cepillos adecuados para la tarea de limpieza.</li> <li>3. Usar un detergente adecuado para la tarea de limpieza.</li> <li>4. Reducir la velocidad.</li> <li>5. Establecer la presión de empuje.</li> <li>6. Ajustar los labios rascadores.</li> <li>7. Comprobar el desgaste del cepillo y sustituirlo en caso necesario.</li> <li>8. Comprobar la distribución de agua.</li> </ol>
<b>Los cepillos no giran</b>	<ol style="list-style-type: none"> <li>1. Reducir la presión de empuje.</li> <li>2. Comprobar si hay algún cuerpo extraño que bloquea los cepillos y retirar el cuerpo extraño en caso necesario.</li> </ol>
<b>La luz omnidireccional opcional y/o la luz de trabajo no se encienden</b>	<ol style="list-style-type: none"> <li>1. Comprobar el fusible F3 y sustituirlo si es necesario, véase el capítulo <i>Sustituir los fusibles</i>.</li> </ol>
<b>Fallo K1/109</b>	<ol style="list-style-type: none"> <li>1. Desconectar el equipo.</li> <li>2. Espera un minuto.</li> <li>3. Encender nuevamente el equipo.</li> </ol>

#### Fallos adicionales en la variante Combo

Fallo	Solución
<b>El equipo no barre correctamente</b>	<ol style="list-style-type: none"> <li>1. Compruebe el desgaste de los cepillos cilíndricos de barrido y de los cepillos laterales, y sustitúyalos si es necesario.</li> <li>2. Si el cepillo cilíndrico de barrido no gira, compruebe la correa de transmisión, límpiela si es necesario.</li> <li>3. Comprobar el funcionamiento de la trampilla para suciedad gruesa.</li> <li>4. Compruebe el desgaste de las tiras de sellado, ajústelas o sustitúyalas si es necesario.</li> </ol>
<b>El equipo de barrido crea una nube de polvo</b>	<ol style="list-style-type: none"> <li>1. Vaciar el recipiente para la suciedad.</li> <li>2. Comprobar el funcionamiento del ventilador del equipo de barrido.</li> <li>3. Compruebe el manguito de sellado del ventilador de aspiración.</li> <li>4. Compruebe el filtro de polvo, límpielo o sustitúyalo si es necesario.</li> <li>5. Compruebe la junta de la caja del filtro.</li> <li>6. Compruebe el desgaste de la cinta de sellado, ajústela o sustitúyala si es necesario.</li> </ol>
<b>El resultado de limpieza al barrer en la zona del borde es insuficiente</b>	<ol style="list-style-type: none"> <li>1. Compruebe el ajuste de altura de los cepillos laterales, ajústelo si es necesario.</li> <li>2. Sustituir los cepillos laterales.</li> </ol>

## Datos técnicos

		B 260 RI (D100)	B 260 RI Combo (D100)	B 260 RI (R 120)	B 260 RI Combo (R 120)	B 260 RI (R100)	B 260 RI Combo (R100)
<b>Generalidades</b>							
Velocidad de desplazamiento/limpieza	mph	6.21	6.21	6.21	6.21	6.21	6.21
Velocidad de transporte	mph	6.21	6.21	6.21	6.21	6.21	6.21
Velocidad hacia atrás	mph	3.73	3.73	3.73	3.73	3.73	3.73
Distancia de frenado permitida en terreno llano a una velocidad de conducción máxima de 10 km/h	m	1.9	1.9	1.9	1.9	1.9	1.9
El tiempo de aplicación depende del cabezal de cepillos, de la presión de aplicación de cepillos y de la rugosidad del fondo	h	4	3.5	4	3.5	4	3.5
Rendimiento teórico en superficie	ft <sup>2</sup> /h (m <sup>2</sup> /h)	107639.1 (10000)	107639.1 (10000)	129166.9(12000)	129166.9(12000)	107639.1 (10000)	107639.1 (10000)
Rendimiento teórico en superficie con conjunto de frotadores laterales	ft <sup>2</sup> /h (m <sup>2</sup> /h)	120555.8 (11200)	---	---	---	120555.8 (11200)	---
Rendimiento teórico en superficie con 2 cepillos laterales	ft <sup>2</sup> /h (m <sup>2</sup> /h)	123785 (11500)	123785 (11500)	144236.4 (13400)	144236.4 (13400)	123785 (11500)	123785 (11500)
Rendimiento práctico del área con el cabezal de cepillos	ft <sup>2</sup> /h (m <sup>2</sup> /h)	75347.4 (7000)	75347.4 (7000)	90416.8 (8400)	90416.8 (8400)	75347.4 (7000)	75347.4 (7000)
Volumen del depósito de agua fresca/sucia	gal (l)	68.7 (260)	68.7 (260)	68.7 (260)	68.7 (260)	68.7 (260)	68.7 (260)
Volumen del depósito de suciedad gruesa	gal (l)	---	---	8.4 (32)	8.4 (32)	6.7 (26)	6.7 (26)
Depósito de detergente (opción de la-ta)	gal (l)	2.6 (10)	2.6 (10)	2.6 (10)	2.6 (10)	2.6 (10)	2.6 (10)
Volumen de dosificación del detergente (de - a)	%	0-3	0-3	0-3	0-3	0-3	0-3
Volumen mínimo de dosificación de agua	l/min	0,9	0.9	0,9	0.9	0.9	0,9
Volumen máximo de dosificación de agua	l/min	9	9	9	9	9	9
Presión máxima de la superficie (incluido conductor, agua)	N/mm <sup>2</sup>	1,33	1.33	1.33	1,33	1.33	1.33
<b>Datos de potencia del equipo</b>							
Tensión nominal	V	36	36	36		36	36
Capacidad de la batería	Ah	525/630	525/630	525/630	525/ 630630	525/630	525/630
Consumo medio de energía	W	6500	8000	6500	8000	6500	8000
Potencia del motor	W	2200	2200	2200	2200	2200	2200
Rendimiento del motor de aspiración	W	2x840	2x840	2x840	2x840	2x840	2x840
Rendimiento del motor de cepillos	W	2x 1100	2x 1100	2x 1100	2x 1100	2x 1100	2x 1100
Tiempo de carga con la batería vacía (plomo-ácido)	h	10	10	10	10	10	10
Tiempo de carga con la batería vacía (iones de litio)	h	3	3	3	3	3	3
Potencia de accionamiento del cepillo cilíndrico de barrido	W	---	600	---	600	---	600
Potencia de cepillos laterales (opcional)	W	2x80	2x80	2x80	2x80	2x80	2x80
Potencia del equipo de barrido de la turbina de aspiración	W	---	115	---	115	---	115

		B 260 RI (D100)	B 260 RI Combo (D100)	B 260 RI (R 120)	B 260 RI Combo (R 120)	B 260 RI (R100)	B 260 RI Combo (R100)
<b>Aspirar</b>							
Potencia de aspiración, volumen de aire	l/s	28 x 2	28 x 2	28 x 2	28 x 2	28 x 2	28 x 2
Potencia de aspiración, baja presión	kPa (mbar)	14 (140)	14 (140)	14 (140)	14 (140)	14 (140)	14 (140)
Baja presión de la turbina/labio trasero de aspiración	kPa (mbar)	22/11 (220/110)	22/11 (220/110)	22/11 (220/110)	22/11 (220/110)	22/11 (220/110)	22/11 (220/110)
Superficie de filtrado del filtro de polvo	m <sup>2</sup>	---	4	---	4	---	4
<b>Cepillos de limpieza</b>							
Diámetro de cepillos	in (mm)	20.1 (510)	20.1 (510)	6.3 (160)	6.3 (160)	6.3 (160)	6.3 (160)
Longitud del cepillo	in (mm)	---	---	44 (1118)	44 (1118)	36 (914)	36 (914)
Velocidad de rotación de cepillos	1/min	140	140	1250	1250	1250	1250
Velocidad de rotación de cepillos del conjunto de frotadores laterales	1/min	140	---	---	---	140	---
Diámetro del cepillo del conjunto de frotadores laterales	in (mm)	11.8 (300)	---	---	---	300	---
Diámetro del cepillo cilíndrico de barrido	in (mm)	---	9.8 (250)	---	9.8 (250)	---	9.8 (250)
Ancho del cepillo cilíndrico de barrido	in (mm)	---	24 (610)	---	24 (610)	---	24 (610)
Velocidad del cepillo cilíndrico de barrido	1/min	---	650	---	650	---	650
Diámetro de los cepillos laterales	in (mm)	17.7 (450)	17.7 (450)	17.7 (450)	17.7 (450)	17.7 (450)	17.7 (450)
<b>Dimensiones</b>							
Longitud	in (mm)	75.8 (1925)	106.7 (2710)	75.8 (1925)	106.7 (2710)	75.8 (1925)	106.7 (2710)
Anchura (sin barra de aspiración)	in (mm)	40.9 (1040)	40.9 (1040)	52.3 (1328)	52.3 (1328)	42.1 (1070)	42.1 (1070)
Anchura (con labio trasero de aspiración)	in (mm)	44.9 (1140)	44.9 (1140)	52.8 (1340)	52.8 (1340)	44.9 (1140)	44.9 (1140)
Altura	in (mm)	61.6 (1565)	61.6 (1565)	61.6 (1565)	61.6 (1565)	61.6 (1565)	61.6 (1565)
Altura (con techo de protección, lámpara de advertencia omnidireccional)	in (mm)	86.6 (2200)	86.6 (2200)	86.6 (2200)	86.6 (2200)	86.6 (2200)	86.6 (2200)
Ancho útil con conjunto de frotadores laterales	in (mm)	44.1 (1120)	---	---	---	40.1 (1120)	---
Ancho útil con cepillos laterales	in (mm)	45.3 (1150)	49.6 (1260)	52.8 (1340)	49.6 (1260)	45.3 (1150)	49.6 (1260)
Radio de viraje (Ø)	in (mm)	83.5 (2120)	196.3 (4960)	83.5 (2120)	196.3 (4960)	83.5 (2120)	196.3 (4960)
Tamaño del compartimiento de baterías (LxAnxAl)	in (mm)	33.1 x 24.6 x 20.5 (840 x 625 x 520)	33.1 x 24.6 x 20.5 (840 x 625 x 520)	33.1 x 24.6 x 20.5 (840 x 625 x 520)	33.1 x 24.6 x 20.5 (840 x 625 x 520)	33.1 x 24.6 x 20.5 (840 x 625 x 520)	33.1 x 24.6 x 20.5 (840 x 625 x 520)
Rueda delantera, ancho	in (mm)	5.2 (132)	5.2 (132)	5.2 (132)	5.2 (132)	5.2 (132)	5.2 (132)
Rueda delantera, diámetro (exterior)	in (mm)	11.8 (300)	11.8 (300)	11.8 (300)	11.8 (300)	11.8 (300)	11.8 (300)
Rueda trasera, ancho	in (mm)	4.3 (108)	4.3 (108)	4.3 (108)	4.3 (108)	4.3 (108)	4.3 (108)
Rueda trasera, diámetro (exterior)	in (mm)	14.8 (375)	14.8 (375)	14.8 (375)	14.8 (375)	14.8 (375)	14.8 (375)
<b>Peso</b>							
Peso total admisible	lbs (kg)	4056.5 (1840)	4453 (2020)	4056.5 (1840)	4453 (2020)	4056.5 (1840)	4453 (2020)
Peso de transporte (con batería de 525/630 Ah, conductor de 75 kg, cabezal de cepillos medio)	lbs (kg)	2116.4 (960)/ 3218.7 (1460)	2557.3 (1160)/ 3659.6 (1660)	2116.4 (960)/ 3218.7 (1460)	2557.3 (1160)/ 3659.6 (1660)	2116.4 (960)/ 3218.7 (1460)	2557.3 (1160)/ 3659.6 (1660)

		<b>B 260 RI (D100)</b>	<b>B 260 RI Combo (D100)</b>	<b>B 260 RI (R 120)</b>	<b>B 260 RI Combo (R 120)</b>	<b>B 260 RI (R100)</b>	<b>B 260 RI Combo (R100)</b>
Peso, listo para funcionar (con baterías de 525/630 Ah y depósito lleno)	lbs (kg)	2515.4 (1141)/ 3617.7 (1641)	2956.4 (1341)/ 4058.7 (1841)	2515.4 (1141)/ 3617.7 (1641)	2956.4 (1341)/ 4058.7 (1841)	2515.4 (1141)/ 3617.7 (1641)	2956.4 (1341)/ 4058.7 (1841)
Presión de aplicación de cepillos	lbs (kg)	286.6 (130)	286.6 (130)	330.7 (150)	330.7 (150)	330.7 (150)	330.7 (150)
Presión de aplicación de cepillos	N/m <sup>2</sup> (g/ cm <sup>2</sup> )	4118.8 (42)	4118.8 (42)	16475.2 (168)	16475.2 (168)	20594 (210)	20594 (210)
<b>Carga por unidad de superficie (con conductor y depósito de agua limpia lleno)</b>							
Carga de la superficie de la rueda del equipo de barrido	N/m <sup>2</sup> (g/ cm <sup>2</sup> )	---	---	---	---	---	---
Carga por unidad de superficie, rueda delantera	N/m <sup>2</sup> (g/ cm <sup>2</sup> )	20299.8 (207)	20299.8 (207)	20299.8 (207)	20299.8 (207)	20299.8 (207)	20299.8 (207)
Carga por unidad de superficie, rueda trasera	N/m <sup>2</sup> (g/ cm <sup>2</sup> )	5884 (60)	5884 (60)	5884 (60)	5884 (60)	5884 (60)	5884 (60)
<b>Cargador offboard de fábrica</b>							
Longitud del cable	in (mm)	118.1 (3000)	118.1 (3000)	118.1 (3000)	118.1 (3000)	118.1 (3000)	118.1 (3000)
Tensión	V	230	230	230	230	230	230
Gama de frecuencias	Hz	50/60	50/60	50/60	50/60	50/60	50/60
Dimensiones	in (mm)	16.5 x 10.2 x 4.5 (420 x 260 x 115)	16.5 x 10.2 x 4.5 (420 x 260 x 115)	16.5 x 10.2 x 4.5 (420 x 260 x 115)	16.5 x 10.2 x 4.5 (420 x 260 x 115)	16.5 x 10.2 x 4.5 (420 x 260 x 115)	16.5 x 10.2 x 4.5 (420 x 260 x 115)
Peso	lbs (kg)	22 (10)	22 (10)	22 (10)	22 (10)	22 (10)	22 (10)
Clase de protección		IP 21	IP 21	IP 21	IP 21	IP 21	IP 21
Tipo de conector		Schuko	Schuko	Schuko	Schuko	Schuko	Schuko
Corriente de carga	A	65	65	65	65	65	65
<b>Cargador de iones de litio offboard de fábrica</b>							
Longitud del cable	mm	3000	3000	3000	3000	3000	3000
Tensión	V	380	380	380	380	380	380
Gama de frecuencias	Hz	50/60	50/60	50/60	50/60	50/60	50/60
Dimensiones	mm	535 x 210 x 360	535 x 210 x 360	535 x 210 x 360	535 x 210 x 360	535 x 210 x 360	535 x 210 x 360
Peso	lbs (kg)	77 (35)	77 (35)	77 (35)	77 (35)	77 (35)	77 (35)
Clase de protección		IP 22	IP 22	IP 22	IP 22	IP 22	IP 22
Tipo de conector		CEE 32 A	CEE 32 A	CEE 32 A	CEE 32 A	CEE 32 A	CEE 32 A
Corriente de carga	A	200	200	200	200	200	200
Potencia	kW	13,3	13,3	13,3	13,3	13,3	13,3
<b>Condiciones ambientales</b>							
Temperatura ambiente máxima	°F (°C)	104 (40)	104 (40)	104 (40)	104 (40)	104 (40)	104 (40)
Temperatura ambiente mínima	°F (°C)	41 (5)	41 (5)	41 (5)	41 (5)	41 (5)	41 (5)
Temperatura máxima del agua	°F (°C)	140 (60)	140 (60)	140 (60)	140 (60)	140 (60)	140 (60)
<b>Pendiente</b>							
Pendiente máxima (en el trayecto de transporte)	%	15	10	15	10	15	10
Pendiente máxima (en modo de fregado)	%	15	10	15	10	15	10
Inclinación máxima a corto plazo con conductor y depósito de agua sucia y de agua fresca vacíos (máx. 10 m)	%	25	18	25	18	25	18
<b>Valores calculados conforme a EN 60335-2-72</b>							
Vibración total	m/s <sup>2</sup>	≤ 2.5	≤ 2.5	≤ 2.5	≤ 2.5	≤ 2.5	≤ 2.5
Vibración total de los brazos	m/s <sup>2</sup>	≤ 2.5	≤ 2.5	≤ 2.5	≤ 2.5	≤ 2.5	≤ 2.5

		B 260 RI (D100)	B 260 RI Combo (D100)	B 260 RI (R 120)	B 260 RI Combo (R 120)	B 260 RI (R100)	B 260 RI Combo (R100)
Nivel de vibraciones mano-brazo, in- seguridad K	m/s <sup>2</sup>	≤ 2.5	≤ 2.5	≤ 2.5	≤ 2.5	≤ 2.5	≤ 2.5
Vibración total de la superficie del asiento	m/s <sup>2</sup>	≤ 0.5	≤ 0.5	≤ 0.5	≤ 0.5	≤ 0.5	≤ 0.5
Nivel de vibraciones asiento, inseguri- dad K	m/s <sup>2</sup>	≤ 0.5	≤ 0.5	≤ 0.5	≤ 0.5	≤ 0.5	≤ 0.5
Nivel de presión acústica	dB(A)	73	74	73	74	73	74
Inseguridad K <sub>pA</sub>	dB(A)	3	3	3	3	3	3
Intensidad acústica L <sub>WA</sub> + Incertidum- bre K <sub>WA</sub>	dB(A)	94	94	94	94	94	94
Clase de protección		IPX3	IPX3	IPX3	IPX3	IPX3	IPX3
<b>Conjunto de frotadores laterales</b>							
Potencia	W	260	---	---	---	260	---
Presión empuje	lbs (kg)	21.3 (9.7)	---	---	---	21.3 (9.7)	---
Presión empuje	N/mm <sup>2</sup>	0.00239	---	---	---	0.00239	---

Reservado el derecho de realizar modificaciones técnicas.







# THANK YOU!

## MERCI! ¡GRACIAS!



Register your product and benefit from many advantages.

Enregistrer votre produit et bénéficier de nombreux avantages.

Registre su producto y aproveche de muchas ventajas.

**[www.kaercher.com/welcome](http://www.kaercher.com/welcome)**



Rate your product and tell us your opinion.

Évaluer votre produit et donner votre opinion.

Reseñe su producto y díganos su opinión.

**Kärcher North America Inc.,**  
6398 N. Kärcher Way  
Aurora, CO 80019  
Tel: 1-800-537-4129

**Kärcher Canada Inc.,**  
275 Pendant Drive, Mississauga,  
Ontario L5T 2SW9  
Tel: +1-800-465-4980

**Kärcher México S.A. de C.V.,**  
Circuito Poetas 68.  
Col Ciudad Satélite, Naucalpan de Juárez,  
Estado de México C.P. 53100, México  
Tel: +52-55-2629-4900

**[www.kaercher.com/service](http://www.kaercher.com/service)**

