

KÄRCHER

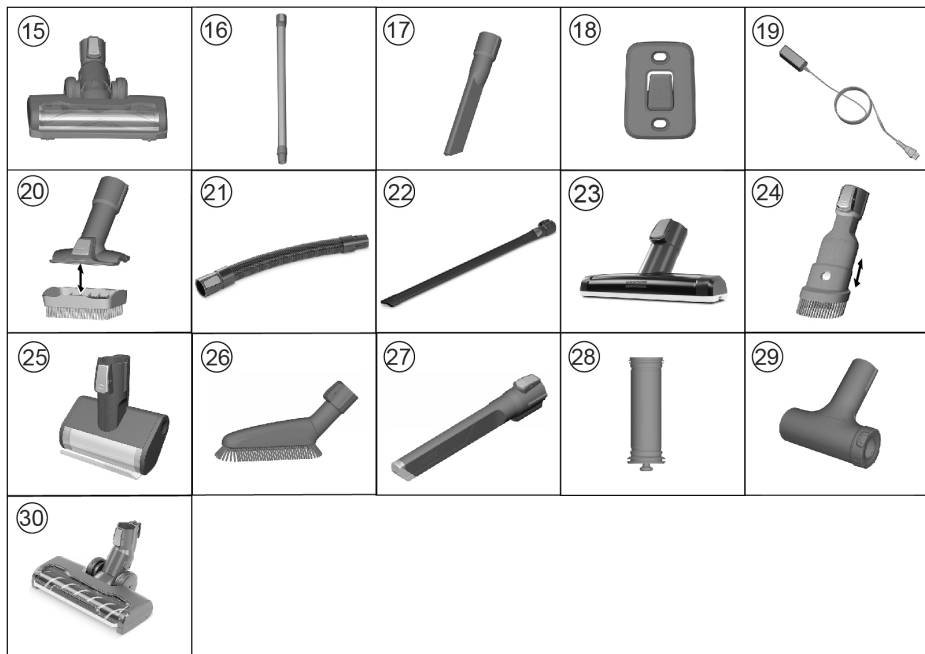
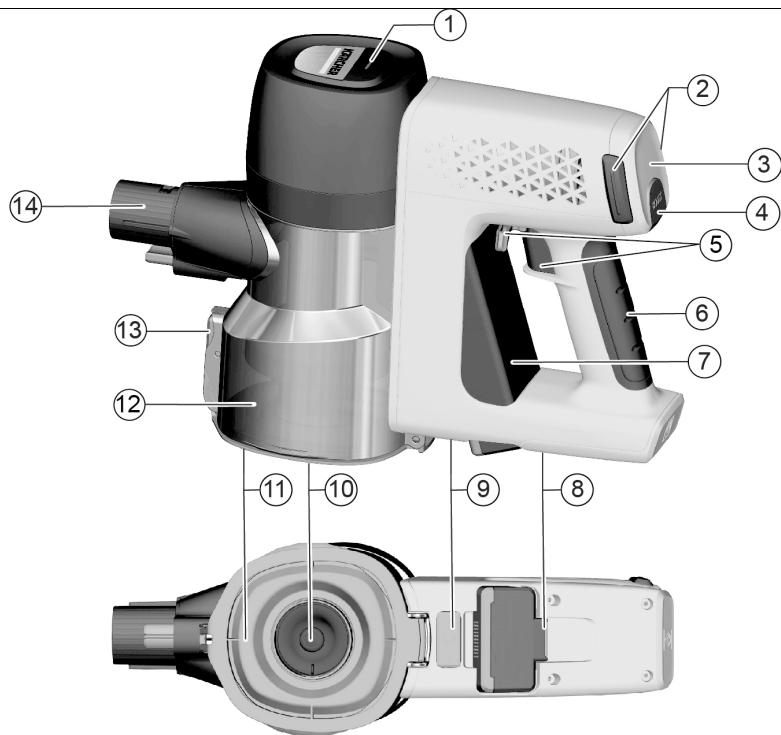
VC 4 Cordless myHome

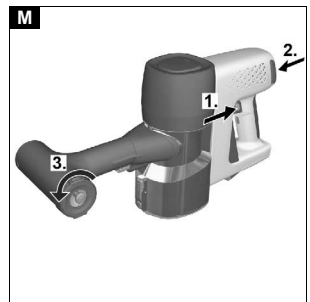
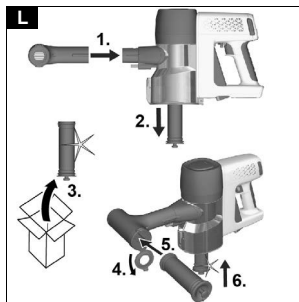
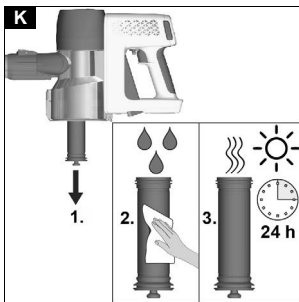
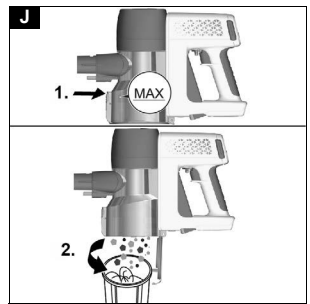
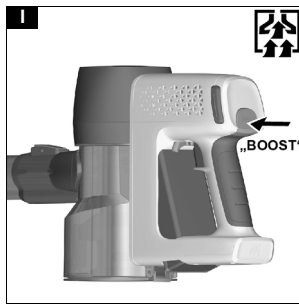
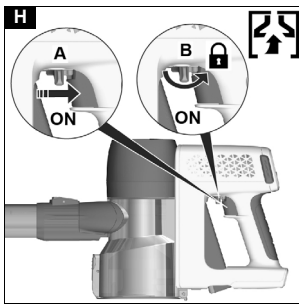
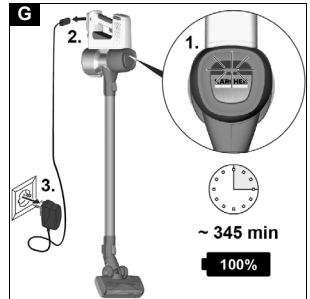
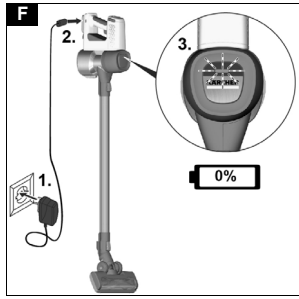
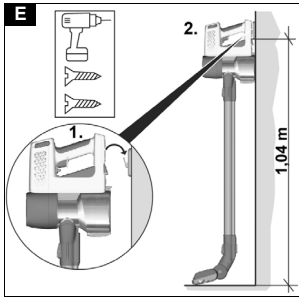
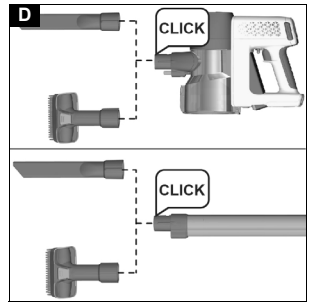
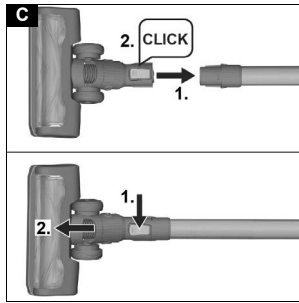
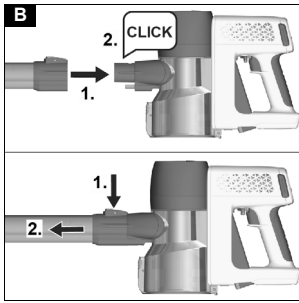


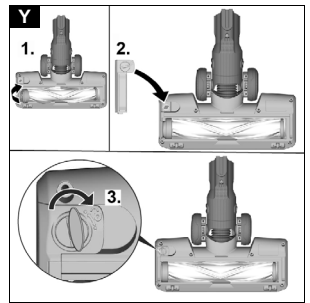
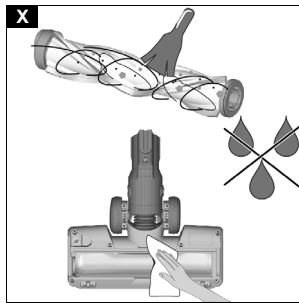
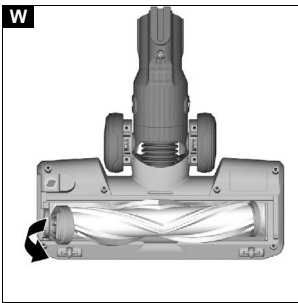
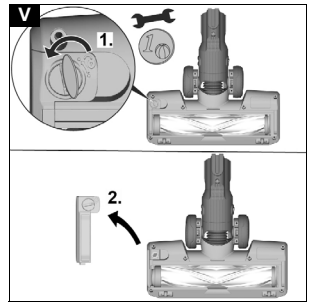
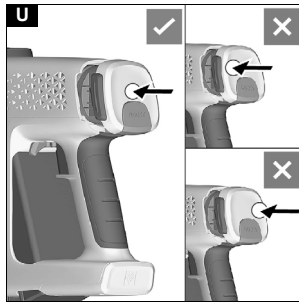
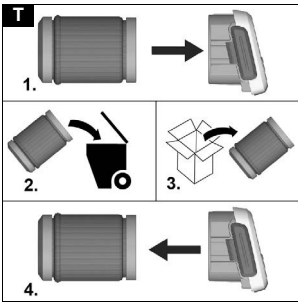
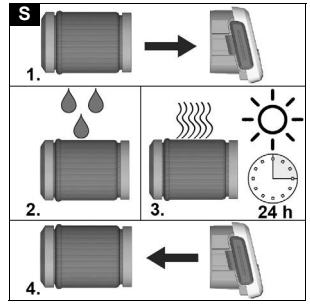
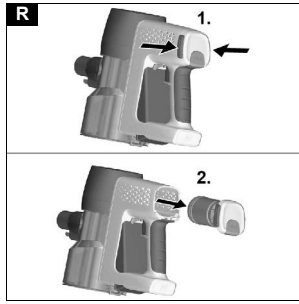
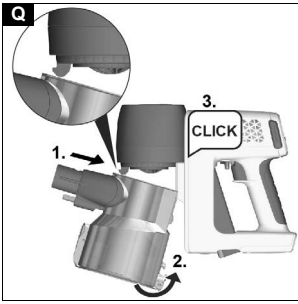
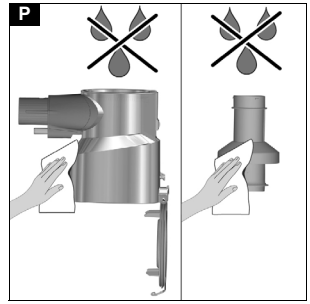
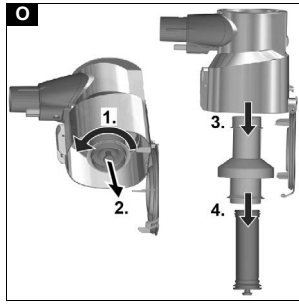
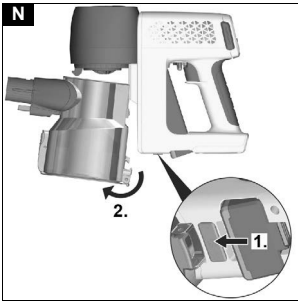
**Register
your product**
www.kaercher.com/welcome

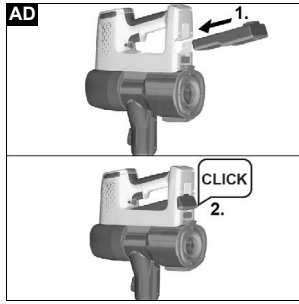
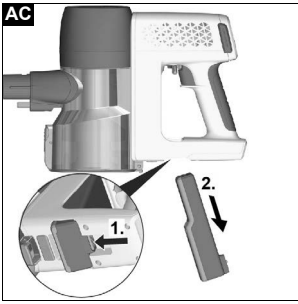
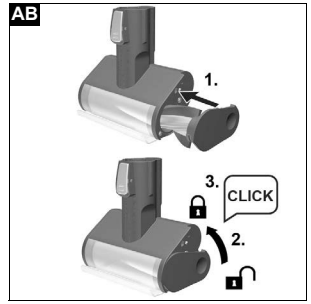
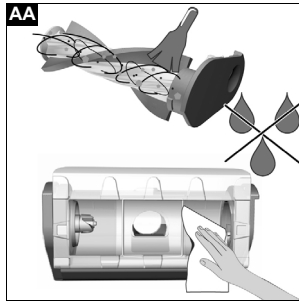
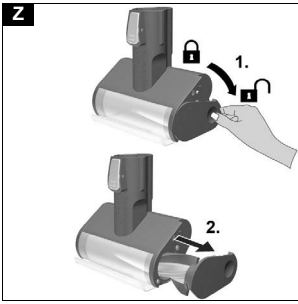


59789010 (09/22)

A







Contents

Intended use.....	8
Environmental protection.....	8
Accessories and spare parts.....	8
Warranty.....	8
Scope of delivery.....	8
Description of the device.....	6
Installing the wall bracket.....	8
Initial startup.....	9
Operation.....	9
How to use the Accessories.....	10
Transportation.....	10
Storage.....	10
Care and service.....	10
Troubleshooting guide.....	12
Removing and installing the battery.....	12
Technical data.....	12

Safety instructions for battery powered vacuum



Read these safety instructions and the original instructions before using the device for the first time. Act in accordance with them. Keep the book for future reference or for future owners.

- In addition to the notes in the operating instructions, you also need to take into consideration the general safety regulations and accident prevention guidelines applicable by law.
- Warnings and information notices attached to the device provide important information for hazard-free operation.
- Depending on the device type, the battery/battery pack is either permanently installed or replaceable. Permanently installed batteries/battery packs must not be replaced. Please refer to the operating instructions of the device to find out what applies to your device.

A battery consists of a single storage element, whereas a battery pack consists of interconnected storage elements.

In the following chapters, both terms are used synonymously.

Hazard levels

⚠ DANGER

- Indication of an imminent threat of danger that will lead to severe injuries or even death.

⚠ WARNING

- Indication of a potentially dangerous situation that may lead to severe injuries or even death.

⚠ CAUTION

- Indication of a potentially dangerous situation that may lead to minor injuries.

ATTENTION

- Indication of a potentially dangerous situation that may lead to damage to property.

General safety instructions

⚠ DANGER • Risk of asphyxiation. Keep packaging film out of the reach of children. • Operation in explosive atmospheres is prohibited. • Risk of explosion

- Never use the device to vacuum up combustible gases, liquids or dusts.
- Never use the device to vacuum up reactive metal dusts (e.g. aluminium, magnesium, zinc).
- Never use the device to vacuum up undiluted brine or acids.
- Never use the device to vacuum up any burning or smouldering objects/matter.

These substances can corrode the materials in use on the device.

⚠ WARNING • Only use the device for its proper use. Take into account the local conditions and beware of third parties, in particular children, when working with the device. • Persons with reduced physical, sensory or mental capabilities and persons lacking experience and knowledge may only use the appliance if they are properly supervised, have been instructed on use of the appliance safely by a person responsible for their safety, and understand the resultant hazards involved. • Only people who have been instructed on how to use the device, or have proven their ability to operate it, and have been explicitly instructed to use it, must use the device. • Children must not operate the device. • Children from the minimum age of 8 may use the appliance if they are properly supervised or have been instructed in its use by a person responsible for their safety, and if they have understood the resultant hazards involved. • Children must be supervised to prevent them from playing with the appliance. • Children may only perform cleaning work and user maintenance under supervision. • Adhere to the respective safety regulations in hazard zones (e.g. service stations). Never operate the device in explosive spaces. • Only use the device for its proper use. Take into account the local conditions and beware of third parties, in particular children, when working with the device. • The appliance contains electrical components - do not clean the appliance under running water. • Risk of injury. Do not use the nozzle and suction pipe at head height. • Avoid switching the device on unintentionally. Make sure that the on/off switch is in the off position before connecting the battery pack, lifting or carrying the device. • You must not charge or store the device outdoors or in a car.

⚠ CAUTION • Safety devices are provided for your own protection. Never modify or bypass safety devices. • Do not use the appliance if it has been dropped beforehand, is visibly damaged or if it is leaking. • Never leave the device unsupervised while it is in operation. • Only operate or store the device in accordance with the description or figure. • In order to prevent accidents or injuries, you must observe the weight of the device when transporting it. • Accidents or damage due to the device falling over. Before all actions with or on the device, you must make sure that it is stable. • Do not make any changes to the device, and only use accessories and spare parts recommended by the manufacturer. • Risk of injury when loose fitting clothing, hair or jewellery is caught by moving parts of the device. Keep clothing and jewellery away from moving parts of the device. Tie long hair back.

ATTENTION • Do not operate the device at temperatures below 0 °C. • Never use the device without a filter, this can lead to device damage. • Only use the device indoors.

Charger safety instructions

⚠ DANGER • Never touch the mains plug and socket with wet hands. • Danger of explosion. Do not charge any non-rechargeable battery. • Do not charge the battery pack in an explosion-hazard environment. • Never insert conductive objects, e.g. screwdrivers or similar, into the charging socket on the appliance.

⚠ WARNING • Only charge the appliance using the original charger enclosed or with a charger approved by KÄRCHER. • Protect the power cable from heat, sharp edges, oil and moving parts. • Do not open the charger. Repairs are only to be carried out by qualified personnel. • Only use the charger for charging approved battery packs. • Immediately replace a damaged charger together with charging cable with an original part. • The appliance contains electrical components - do not clean the appliance under running water. • You may not charge the battery pack for longer than 24 hours without interruption.


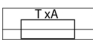

⚠ CAUTION • Do not use the battery pack when dirty or wet. • Keep the charger ventilation slits free of obstructions. • Do not pull the mains plug out the socket using the power supply cable. • Do not carry/transport the device using the power supply cable.

ATTENTION • Short circuit hazard. Protect the contacts of the battery pack from metal parts. • Only use and store the charger in dry rooms.

Note • Information on which type of charger/adaptor is to be used can be found on the type plate of the charger supplied and/or in the technical data in the operating instructions for the device.

Symbols on the charger

(Depending on the charger)

	Protect the device from moisture. Store the device in a dry place. Do not subject the device to rain. The device is only suitable for indoor use.
	The device has a built-in fuse. The value (X) in amperes can be found on the respective charger.
	The device meets the requirements of protection class II.

Battery/battery pack safety instructions

⚠ DANGER

- Do not charge the battery pack in explosive atmospheres.
- Do not throw battery packs into a fire or into the household rubbish.
- Avoid contact with fluid leaking from defective batteries. Immediately rinse off the fluid using water if contact is made, and also consult a doctor in the event of contact with the eyes.
- Danger of explosion. Do not charge any non-rechargeable battery.

⚠ WARNING

- Check that the voltage of the battery pack corresponds with the information on the type plate of the device used.
- Check the battery pack for damages before every operation. Do not use any damaged battery packs.
- Do not charge any damaged battery packs.

- Replace damaged battery packs with battery packs approved by KÄRCHER.
Does not apply to appliances with a fixed battery
- Do not open the battery pack. Repairs are only to be carried out by qualified personnel.
- Only charge the battery pack with the approved chargers.
- Do not charge the battery unattended. Check the condition of the battery and charger regularly during the charging process.
- Disconnect the charger from the mains and the battery from the charger and stop using the charger and battery if you notice a fault, unusual odours or heat development during charging. Contact the authorized customer service.
- Do not remove permanently installed batteries.

⚠ CAUTION




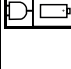
- Short circuit hazard. Protect the contacts of the battery pack against metal parts.
- Do not use the battery pack in a dirty or wet condition. Allow the connections to dry out completely before using the battery pack.
- Remove the battery pack from the device before carrying out any service or care work.
Does not apply to appliances with a fixed battery

ATTENTION

- Short circuit hazard. Do not store the battery packs together with metal objects.
- Do not submerge the battery in water.
- Protect the battery pack against heat, sharp edges, oil and moving unit parts.
- Do not subject the battery pack to mechanical stress.
- Store the battery pack in a dry place.

Symbols on the battery pack

(Depending on device/battery type)

	Do not throw the battery into water.
	Do not throw the battery into fire.
	Do not charge defective battery packs.
	Only use the battery pack with the approved chargers. Information on which type of charger/adaptor is to be used can be found on the type plate of the charger supplied and/or in the technical data in the operating instructions for the device.

Safety instructions for transportation

The lithium-ion battery is subject to the requirements of dangerous goods regulations.

The battery pack can be transported by the user in public traffic areas without any further restrictions.

When shipping by third parties (transport companies), special requirements for packaging and labelling must be observed.

Do not use the battery pack if the casing is damaged. Tape off open contacts.

Pack the battery tightly and securely. The battery pack must not be able to move in the packaging.

⚠ DANGER

- A defective or non-functional battery pack must not be mailed and must be disposed of on site in accordance with the applicable regulations.

Observe the national regulations.

Intended use

- Only use the device in private households.
- The device is intended exclusively for cleaning dry surfaces
- The following are not in accordance with the intended use:
 - Cleaning people, animals, plants or clothing on the body.
 - Soaking up water or other fluids.
 - Extraction of glowing ashes, coal, cigarettes or other flammable or easily inflammable substances.
 - Use in the vicinity of explosive or highly flammable substances.

Environmental protection



The packing materials can be recycled. Please dispose of packaging in accordance with the environmental regulations.



Electrical and electronic appliances contain valuable, recyclable materials and often components such as batteries, rechargeable batteries or oil, which - if handled or disposed of incorrectly - can pose a potential threat to human health and the environment. However, these components are required for the correct operation of the appliance. Appliances marked by this symbol are not allowed to be disposed of together with the household rubbish.

Notes on the content materials (REACH)

Current information on content materials can be found at: www.kaercher.com/REACH

Accessories and spare parts

Only use original accessories and original spare parts. They ensure that the appliance will run fault-free and safely.

Information on accessories and spare parts can be found at www.kaercher.com.

Warranty

The warranty conditions issued by our relevant sales company apply in all countries. We shall remedy possible malfunctions on your appliance within the warranty period free of cost, provided that a material or manufacturing defect is the cause. In a warranty case, please contact your dealer (with the purchase receipt) or the next authorised customer service site. (See overleaf for the address)

Scope of delivery

The scope of delivery for the appliance is shown on the packaging. Check the contents for completeness when unpacking. If any accessories are missing or in the event of any shipping damage, please notify your dealer.

Device description

The scope of delivery of the device (depending on the model) is shown on the packaging. These operating instructions describe all possible options. For the illustrations, refer to the graphics page.

Illustration A

- ① Battery/error message LED indicator light
- ② Unlocking buttons for removing the exhaust air foam filter
- ③ Exhaust air foam filter cover
- ④ Boost function button (increase suction performance)
- ⑤ On/Off switch with locking lever
- ⑥ Handle
- ⑦ Replaceable battery
- ⑧ Battery unlocking button
- ⑨ Unlocking button for removing the dust container removal
- ⑩ Air inlet filter
- ⑪ Dust container flap
- ⑫ Removable dust container
- ⑬ Dust container cover flap unlocking button
- ⑭ Dust container suction fitting
- ⑮ Motorized electric brush with universal brush roller
- ⑯ Suction pipe
- ⑰ Crevice nozzle
- ⑱ Wall bracket
- ⑲ Charger
- ⑳ ** 2-in-1 upholstery nozzle
- ㉑ ** Flexible extension hose
- ㉒ ** Flexible crevice nozzle
- ㉓ ** Large upholstery nozzle
- ㉔ ** 2-in-1 furniture brush
- ㉕ ** Mini turbo brush
- ㉖ ** Soft brush
- ㉗ ** LED-crevice nozzle
- ㉘ ** Air inlet filter (2x)
- ㉙ ** Filter cleaning tool
- ㉚ ** Soft motor-driven brush (Hard floor nozzle)

** option

Installing the wall bracket

The scope of delivery includes a wall bracket as well as screws and dowels for tidy storage of the vacuum cleaner.

Note

Mount the wall bracket at a suitable point using the screws and dowels supplied.

For safe storage of the device, position the lower edge of the wall bracket 1.04 m from the floor.

Illustration E

ATTENTION

Material damage due to incorrect installation

Incorrect installation can damage both the device and the floor covering if it falls.

Use suitable mounting tools for wall mounting.
Take the weight of the device and the loading capacity of the installation location into account when selecting the fasteners.

⚠ WARNING

Risk of electric shock and injuries

Make sure there are no electrical cables, water or gas pipes in the wall around the mounting area.

Initial startup

Installing accessories

Note

The multi-function brush is also driven by its own integrated motor and must therefore always be connected directly to the hand-held device or the suction pipe in order to ensure the power supply.

All other accessor parts can also be used directly with the hand-held device or with the suction pipe to increase the reach.

- Push the suction pipe on to the suction fitting of the dust container until it audibly clicks into place.
- Press the unlocking button and remove the suction pipe from the suction fitting.

Illustration B

- Push the floor nozzle on to the suction pipe until it audibly clicks into place.
- Press the unlocking button and remove the floor nozzle from the suction pipe.

Illustration C

- Push the accessory, such as the crevice nozzle, on to the suction fitting of the dust container or suction pipe until it audibly clicks into place.

Illustration D

Battery charging

Note

The device is not supplied with a charged battery. Fully charge the battery before using it for the first time. Please observe the enclosed safety instructions for battery powered vacuum cleaners.

1. To charge the device, attach it to the wall bracket included in the scope of delivery.

Illustration E

2. Plug the charger into a socket. Insert the connecting plug into the charging socket of the device.

The LED indicator light flashes green during the charging process.

Illustration F

3. When the device is fully charged, the LED indicator light lights up continuously green for 2 min. and then goes out.

Remove the charger from the power socket and charging socket.

Remove the device from the wall bracket.

Illustration G

The device is ready for use.

Operation

LED display

The LED on the head of the device shows information on the charging state of the battery and error messages.

Battery charging state

LED	Duration of lighting	Meaning
Lights up green	continuously	Battery charged
Flashes green	1 s on / 1 s off	2 min remaining running time (-1 min/+2 min)
Flashes green	125 ms on / 125 ms off	Battery fault

The progress of charging the battery can be read from the green LED. The LED only lights up when the battery is correctly installed.

While charging

LED	Duration of lighting	Meaning
Flashes green	0.2 s from off to on / 0.6 s on / 0.2 s from on to off / 1 s off	Battery is charging
Lights up green	2 min continuous lighting, then off	Battery fully charged

Error message

LED	Duration of lighting	Meaning
Flashes red	125 ms on / 125 ms off	Floor nozzle blocked

Changing accessories

To change accessories, see chapter *Installing accessories*

Vacuuming

1. Install the required accessories, see chapter *Installing accessories*.
2. Switch on the device, depending on cleaning requirements:
 - Press the On/Off switch and keep it pressed during operation.
 - or
 - Turn the locking lever to switch the device directly to continuous operation.

Illustration H

3. If necessary, press the Boost button to increase the dust intake.

Illustration I

Note

When the device is switched off, the boost function is automatically disabled.

The boost function can also be switched off by pressing the Boost button again.

Ending operation

1. Switch off the device. Release the On/Off switch or disable the locking lever.

Note

To ensure an optimum suction performance, empty the dust container and clean the air inlet filter after each use.

Empty the dust container at the latest when the "MAX" marking is reached.

2. Remove the suction pipe or accessory.
 3. Empty the dust container into a waste container.
 - a Press the unlocking button.
The dust container flap opens.
 - b Empty the dust container.
- Illustration J**
4. To close the flap, push the dust container upwards until it clicks into place.
 5. Clean the air inlet filter, see chapter *Cleaning the air inlet filter*
 6. Attach the device to the wall bracket.
- Illustration E**
7. Charge the device, see chapter *Battery charging*.

How to use the Accessories

General instructions for use

- Which accessories are included in the scope of delivery is shown on the device packaging.
- Accessories not included in the packaging can be purchased in a KÄRCHER specialist shop or from www.kaercher.com.
- Test the accessory at an inconspicuous point before using it in a sensitive area.
- Follow the manufacturer's cleaning instructions.
- Connect the motor-driven electric nozzle to the suction pipe or the hand-held device.
- Also connect the other accessory parts, such as crevice nozzle, to the hand-held device or push it directly onto the suction pipe to increase the reach.

Motor-driven multi-function brush

Ideal for hard floors and carpets.
The motor-driven multi-function brush removes dirt stuck between the carpet fibres particularly effectively.

2-in-1 upholstery nozzle

The frame with the surrounding bristles can be taken off pressing the unlocking button.

- The soft brush is suitable for furniture with hard surfaces
- The wide brush is used to clean upholstered furniture, curtains, etc.

Crevice nozzle

For edges, joints, heaters and areas that are difficult to reach.

Soft brush

The soft brush has particularly soft bristles for cleaning sensitive surfaces such as keyboards, lamps, etc.

Flexible crevice nozzle

The flexible crevice nozzle increases the reach. For cleaning hard-to-reach places, such as between the car seats.

Flexible extension hose

Due to the extension and flexibility, hard-to-reach areas such as in the car can be reached and cleaned.

Large upholstery nozzle

For cleaning textile surfaces such as sofas, armchairs, mattresses, car seats, etc.

2-in-1 furniture brush

For gentle cleaning of sofas and delicate furniture. Depending on requirements, the accessory can be used as a furniture or upholstery nozzle by pressing the button.

Mini turbo brush

Efficiently removes pet hair and dust particles from upholstered furniture, mattresses or other soft surfaces. The rotating round brush catches even the finest hair.

LED-crevice nozzle

For cleaning corners and hard-to-reach areas. The illumination makes even the finest dust visible in dark spaces.

Soft motor-driven brush (Hard floor nozzle)

For hard floors and sensitive wooden floors. Extracts coarse and fine dirt simultaneously.

Transportation

The battery has been tested in accordance with the relevant rules for international transport, and can be transported / shipped.

Storage

ATTENTION

Moisture and heat

Risk of damage

Store batteries only indoors in a dry place with low humidity and temperatures below 20°C.

Care and service

General care instructions

- Clean the device and plastic accessory parts with a commonly available plastic cleaner.

Cleaning the air inlet filter

Note

The device can be cleaned manually or using a filter cleaning device.

1. Switch off the device.
 2. **Manually cleaning the air inlet filter.**
 - a Pull the soiled air inlet filter down at the filter stick, carefully beat it and clean it with a damp cloth or running water.
- Illustration K**
- b Reinsert the fully dried air inlet filter.
 - c Check for correct seating.
 3. **Cleaning the air inlet filter with a filter cleaning device.**

Note

A new air inlet filter must be installed in the dust container during filter cleaning.

- a Push the filter cleaning device on to the suction pipe branch and pull the air inlet filter out of the device using the filter stick.
 - b Push the soiled air inlet filter into the filter cleaning device.
 - c Insert a new air inlet filter into the dust container.
- Illustration L**
- d Switch on the device and let it run in boost mode while turning the side cover.
- Illustration M**
- e Remove the cleaned air inlet filter from the filter cleaning tool and reinsert it in the dust container after removing the new air inlet filter.
 - f Check that the air inlet filter is correctly seated.

Cleaning the dust container and cyclone filter

Note

The dust container and cyclone filter can be cleaned with or without removing the dust container.

We recommend removing the dust container from the device for easy cleaning.

Note

Before cleaning the dust container and cyclone filter, empty the dust container, see chapter *Ending operation*

1. Switch off the device.
2. Press the unlocking button for the dust container and remove the dust container from the hand-held device.

Illustration N

- a Remove the cyclone filter from the dust container by turning it anticlockwise.
- b Remove the cyclone filter from the dust container and take the air inlet filter out of the cyclone filter.

Illustration O

ATTENTION

Short circuit hazard

There are cables or contacts in the dust container and cyclone filter for the power supply.

Make sure that the cables or contacts do not get wet when cleaning.

3. Clean the dust container and cyclone filter with a soft brush or a slightly damp cloth.

Illustration P

4. Clean the air inlet filter, see chapter *Cleaning the air inlet filter*
5. Re-insert the dry dust container and cyclone filter with air inlet filter into the device and close the flap.
6. Attach the dust container to the handheld device.

- a Hold the dust container at an angle against the handheld device while holding the top on the hook of the handheld device.
- b Push the dust container upwards until the hook on the handheld device engages in the slot in the dust container.
- c The dust container must audibly click into place.

Illustration Q

Clean the exhaust air foam filter/replace the exhaust air foam filter

Note

The exhaust air foam filter ensures pure exhaust air.

- Clean the exhaust air foam filter if it is visibly dirty.
- Replace the exhaust air foam filter if damage is visible.

1. Switch off the device.
2. Clean the exhaust air foam filter.
 - a Press both side unlocking buttons at the same time and remove the cover with the exhaust air foam filter.

Illustration R

ATTENTION

Short circuit hazard

Power supply cables or contacts are located in the cover of the exhaust air foam filter.

Before cleaning with water, remove the cover from the exhaust air foam filter so that the cables or contacts do not get wet.

3. Carefully tap off the exhaust air foam filter or if it is heavily soiled:
 - a Pull off the cover of the exhaust air foam filter.
 - b Clean the exhaust air foam filter under running water. Do not rub or brush off.

ATTENTION

Health risk

Exhaust air foam filters that are not completely dry when installed in the device can be a breeding ground for spores and mould.

Make sure that the exhaust air foam filter is completely dry on installation.

- c Then allow the exhaust air foam filter to dry completely.
- d Fasten the cover to the exhaust air foam filter.
- e Insert the exhaust air foam filter into the device until it latches into place.
- f Press the cover down in the middle to ensure that the cover sits correctly on the device.

Illustration S

4. Replace the exhaust air foam filter.

- a Press both side unlocking buttons at the same time and remove the exhaust air foam filter.

Illustration R

- b Remove the cover of the exhaust air foam filter and dispose of the used filter.
- c Fasten the new exhaust air foam filter to the cover.

Illustration T

- d Insert the exhaust air foam filter into the device until it latches into place.
- e Press the cover down in the middle to ensure that the cover sits correctly on the device.

Illustration U

Cleaning the multi-function nozzle

1. Switch off the device.
2. Remove accessories.

ATTENTION

Short circuit hazard

The multi-function brush contains electrical components.

You must not immerse the multi-function brush in water or clean it with a damp cloth.

3. Clean the multi-function brush.
 - a Unlock the brush roll cover / support with a coin or other object and remove it.

Illustration V

- b Remove the brush roll from the brush opening in the direction of the arrow.

Illustration W

- c Remove the dirt e.g. with a brush. If necessary, tangled threads or hair can be carefully cut off with scissors.
- d Carefully clean the brush opening with a cloth or soft brush.

Illustration X

- e Insert the brush roll into the brush opening.
- f Lock the brush roll with a coin or other object.

Illustration Y

Cleaning the mini turbo brush

1. Switch off the device.
2. Remove accessories..

ATTENTION

Short circuit hazard

The mini turbo nozzle contains electrical components. Do not immerse the mini turbo nozzle in water or clean with a damp cloth.

3. Cleaning the mini turbo brush:

- a Press down on the brush roll cover and remove the brush roll.

Illustration Z

- b Remove the dirt e.g. with a brush. If necessary, tangled threads or hair can be carefully cut off with scissors.
- c Clean the brush opening carefully with a cloth or soft brush.

Illustration AA

- d Insert the brush roll at an angle and fully into the brush opening, pushing up until the cover snaps into place.

Illustration AB

Troubleshooting guide

Malfunctions often have simple causes that you can remedy yourself using the following overview. When in doubt, or in the case of malfunctions not mentioned here, please contact your authorised Customer Service.

The device does not start up

Battery is empty.

- Charge the rechargeable battery.

Battery is not inserted correctly.

- Push the battery into the mount until it locks into place.

Battery is defective.

- Replace the battery.

The battery is not charging

The charging plug/mains plug is not connected correctly.

- Connect the charging plug/mains plug correctly.
- The socket is defective.
- Check that the socket is working.

The wrong charger is being used

- Check that the correct charger is being used.

The device stops during operation or the suction performance is poor

The battery has overheated.

- Stop work and wait until the battery temperature is back in the normal range.

The accessories, the suction opening on the dust container or the suction pipes are clogged.

- Remove the clog with a suitable aid.

The dust container is full.

- Empty the dust container.

The filters are soiled.

- Clean the filters, see chapter *Care and service*.

Roller brush is blocked.

- Remove any blockage.

Abnormal engine noise

The accessories, the suction opening on the dust container or the suction pipes are clogged.

- Remove the clog with a suitable aid.

Removing and installing the battery

ATTENTION

Frequent removal of the battery

Frequent removal of the battery can damage the battery.

Only remove the battery for maintenance and care if the device is not used for a long period of time or if the device has to be sent for servicing.

Removing the battery

1. Press the unlocking button.
2. Remove the battery from the device.

Illustration AC

Inserting the battery

ATTENTION

Dirty contacts

Damage to the device and battery

Check the battery mount and the contacts for soiling and clean them as necessary before inserting the battery.

Note


Use only fully charged batteries.

1. Push the battery into the mounting in the device until it audibly latches into place.

Illustration AD

Technical data

Electrical connection

Voltage of charger	V	21,6
Nominal power	W	140
Battery pack type	Li-ION	
Charger	26 V TEK *EU	
Model	YLJXA-E260040	
Part number	9.769-119.0	
Nominal voltage of charger	V	100 - 240
Frequency	Hz	50 - 60
Charging time when the battery is completely discharged	min	345
Protection class		II

Device performance data

Tank content	l	0,65
Operating time when battery is fully charged in normal operation	min	30
Operating time in maximum mode when battery fully charged	min	18

Dimensions and weights

Weight (without accessories)	kg	1,55
------------------------------	----	------

Subject to technical modifications.



THANK YOU!
MERCI! DANKE! ¡GRACIAS!



Registrieren Sie Ihr Produkt und profitieren Sie von vielen Vorteilen.

Register your product and benefit from many advantages.

Enregistrez votre produit et bénéficiez de nombreux avantages.

Registre su producto y aproveche de muchas ventajas.

www.kaercher.com/welcome



Bewerten Sie Ihr Produkt und sagen Sie uns Ihre Meinung.

Rate your product and tell us your opinion.

Évaluer votre produit et dites-nous votre opinion.

Reseñe su producto y díganos su opinión.



www.kaercher.com/dealersearch

Alfred Kärcher SE & Co. KG
Alfred-Kärcher-Str. 28-40
71364 Winnenden (Germany)
Tel.: +49 7195 14-0
Fax: +49 7195 14-2212

