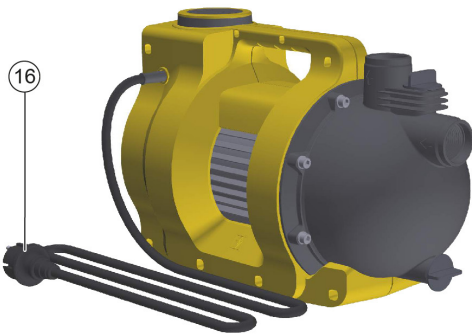
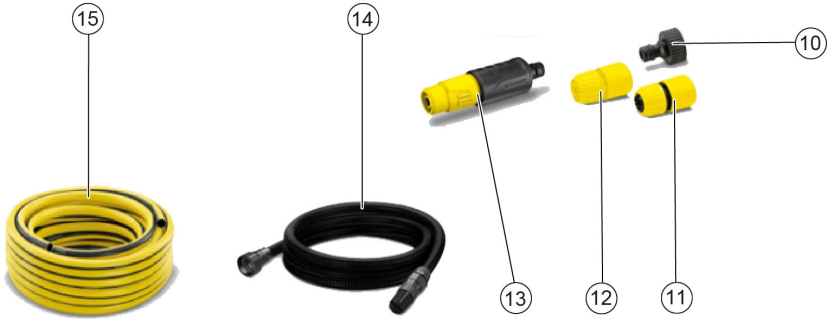
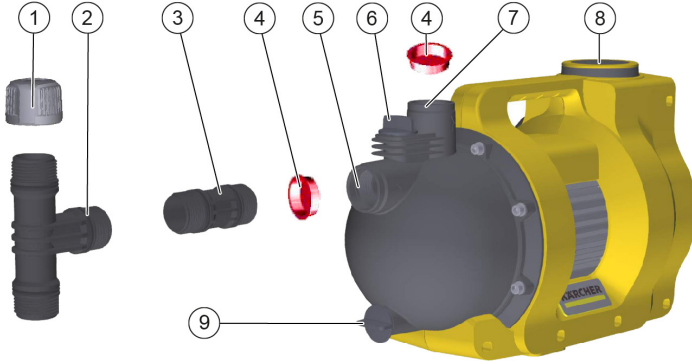


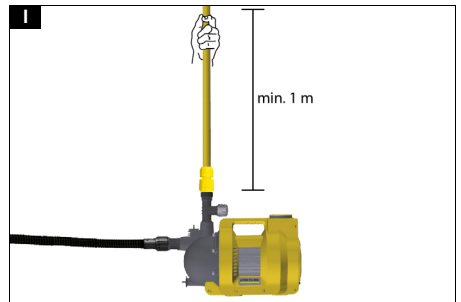
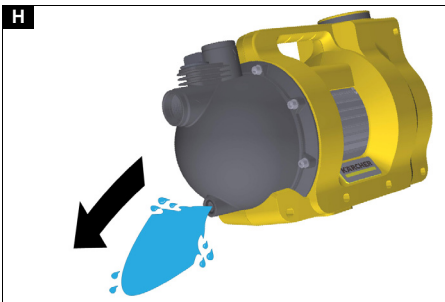
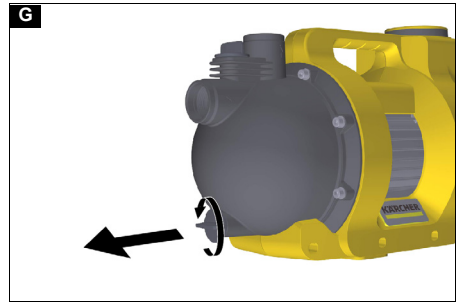
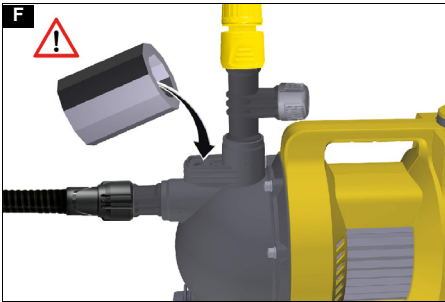
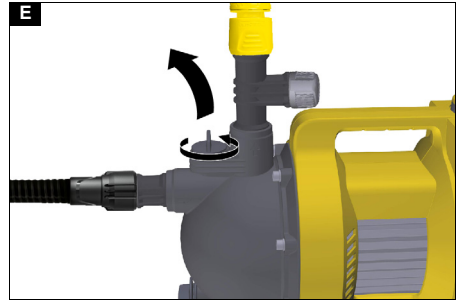
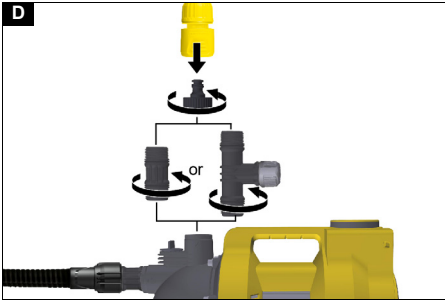
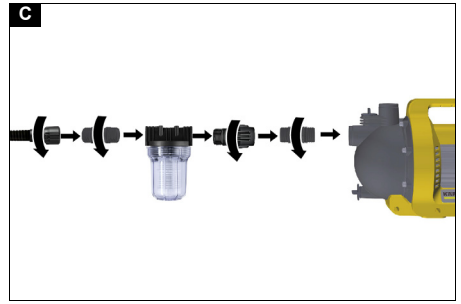
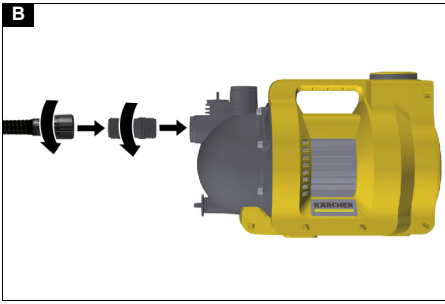
Booster Pump for Garden
BP 4.500 Garden
BP 5.000 Garden
BP 6.000 Garden
BP 7.000 Garden



**Register
your product**
www.kaercher.com/welcome







Contents

Safety instructions	4
Intended use	5
Environmental protection	5
Accessories and spare parts	5
Scope of delivery	5
Warranty	5
Description of the device	5
Startup	6
Operation	6
Care and maintenance	6
Transport	6
Storage	6
Special accessories	6
Troubleshooting guide	7
Specifications	7
Characteristic curves	8
Declaration of Conformity	8

Safety instructions

Read this safety chapter and these original instructions before using the device for the first time. Act in accordance with them. Keep the original instructions for future reference or for future owners.

- In addition to the notes in the operating instructions, you also need to take into consideration the general safety regulations and accident prevention guidelines applicable by law.
- Warnings and information notices attached to the device provide important information for hazard-free operation.

Hazard levels

⚠ DANGER

- Indication of an imminent threat of danger that will lead to severe injuries or even death.

⚠ WARNING

- Indication of a potentially dangerous situation that may lead to severe injuries or even death.

⚠ CAUTION

- Indication of a potentially dangerous situation that may lead to minor injuries.

ATTENTION

- Indication of a potentially dangerous situation that may lead to damage to property.

General safety instructions

⚠ DANGER

- Risk of asphyxiation. Keep packaging film out of the reach of children.

⚠ WARNING

- Persons with reduced physical, sensory or mental capabilities and persons lacking experience and knowledge may only use the appliance if they are properly supervised, have been instructed on use of the appliance safely by a person responsible for their safety, and understand the resultant hazards involved.
- Always disconnect the device from the power supply before assembling, disassembling or cleaning.
- Children must be supervised to prevent them from playing with the appliance.
- Children must not operate the device.

- Cleaning and user maintenance may not be carried out by children.

Risk of electric shock

⚠ DANGER • Never touch the mains plug and socket with wet hands. • The voltage indicated on the type plate must match the voltage of the power source. • Install electrical plug connections only in areas that are protected against flooding. • Operate pumps at swimming pools, garden ponds and fountains only via a fault current protection switch with a nominal current no greater than 30 mA and with a protective contact (ground). • In Austria, pumps used with swimming pools and garden ponds that are permanently connected to the mains supply must be supplied via an isolating transformer approved according to the Austrian Electrotechnical Association standard ÖVE B/EN 60555 Parts 1 to 3, where the nominal secondary output voltage of the transformer must not exceed 230 V. • Only operate the device via a fault current protection switch (maximum 30 mA). • The mains plug and coupling of the extension cable must be water tight and may not be placed in water. The coupling may not be on the floor. Use cable drums to ensure that the sockets are at least 60 mm above the floor. • You may not operate the pump when persons are in the swimming pool or garden pond.

⚠ WARNING • Only connect the device to an electrical connection that has been installed by a qualified electrician. It is essential that you adhere to the national regulations for this. • When using the pump on swimming pools, garden ponds or fountains, maintain a minimum distance of 2 m and secure the pump against slipping into the water. • Do not use the pump as a submersible pump. • Check that the mains connection cable with mains plug is undamaged each time before using the device. To avoid any possible danger, a damaged mains connection cable must be immediately replaced by the manufacturer, or the authorised customer service department or a qualified electrician. • Do not damage the power supply and extension cable by running over it, crushing or yanking it or similar. Protect the power supply cable from heat, oil and sharp edges. • Unsuitable electrical extension cables can be dangerous. Only use approved and appropriately marked electrical extension cables with a sufficient cable cross section for outdoors.

⚠ CAUTION • Always fully unwind the extension cable from the cable drum. • Do not carry/transport the device using the power supply cable. • Do not pull the mains plug out the socket using the power supply cable.

ATTENTION • Do not operate the device continuously in the rain or under wet weather conditions. • Ensure that the unit is stable and protected against floods.

Operation

⚠ DANGER • Risk of explosion

- Do not pump corrosive, highly flammable or explosive liquids, e.g. petroleum, petrol, acids or nitro thinner.
- Do not operate the unit in a flammable or explosive environment
- The device is pressurised. Open the shut-off valve on the pressure side via the drain tap (available from specialist dealers) and drain the system before opening the filler or drain caps or before disconnecting any pipe connections.

⚠ CAUTION • Accidents or damage due to the device falling over. Before all actions with or on the device, you must make sure that it is stable. • Water that has been pumped with this unit is not drinking water.

ATTENTION • Do not convey fats, oils and salt water. • Do not pump waste water from sanitary facilities or muddy water with a lower flowing ability than clear water. • Do not pump water that has a temperature higher than 35°C. • Pumps without any note that they are protected against frost must not be left outside in freezing weather. • Do not operate the device during frost conditions.

Care and maintenance

⚠ WARNING • Switch off the device immediately and remove the mains plug before performing any care and service work.

⚠ CAUTION • Have repair work, installation of spare parts and work on electrical components carried out by the authorised customer service only.

Transport

⚠ CAUTION • Accidents or damage due to the device falling over. Before all actions with or on the device, you must make sure that it is stable. • Risk of accidents and injuries. Take into account the weight of the device for transportation and storage. See chapter Technical data in the operating instructions.

Intended use

Please observe the requirements of EN 1717 when connecting this product to the drinking water network and contact your sanitation specialists if you have any questions.

This device has been developed for private use and is not intended for the load imposed by commercial use. The device is primarily intended for use in the garden and provides constant pressure for garden watering. When connecting sprinklers, a maximum of the following areas can be irrigated:

- BP 4.500 Garden: 400 m²
- BP 5.000 Garden: 550 m²
- BP 6.000 Garden: 900 m²
- BP 7.000 Garden: 1000 m²

⚠ CAUTION

Risk of injury!

Risk of injury from toxic substances.

Do not drink water that has been pumped by the pump!

Permissible feed fluids

Permissible feed fluids:

- Processed water
- Well water
- Spring water
- Rain water
- Swimming pool water with intended dosage of additives

The temperature of the delivered liquid must not exceed 35 °C.

Improper use

Note

The manufacturer accepts no liability for possible damage caused by improper use or incorrect operation.

Environmental protection



The packing materials can be recycled. Please dispose of packaging in accordance with the environmental regulations.



Electrical and electronic devices contain valuable, recyclable materials and often components such as batteries, rechargeable batteries or oil, which - if handled or disposed of incorrectly - can pose a potential danger to human health and the environment. However, these components are required for the correct operation of the device. Devices marked by this symbol are not allowed to be disposed of together with the household rubbish.

Notes on the content materials (REACH)

Current information on content materials can be found at: www.kaercher.de/REACH

Accessories and spare parts

Only use original accessories and original spare parts. They ensure that the appliance will run fault-free and safely.

Information on accessories and spare parts can be found at www.kaercher.com.

Scope of delivery

The scope of delivery for the appliance is shown on the packaging. Check the contents for completeness when unpacking. If any accessories are missing or in the event of any shipping damage, please notify your dealer.

Warranty

The warranty conditions issued by our sales company responsible apply in all countries. We shall remedy possible malfunctions on your device within the warranty period free of cost, provided that a material or manufacturing defect is the cause. In a warranty case, please contact your dealer (with the purchase receipt) or the next authorised customer service site. (See overleaf for the address)

Description of the device

The maximum amount of equipment is described in these operating instructions. Depending on the model used, there are differences in the scope of delivery (see packaging).

For the illustrations, refer to the graphics page Illustration A

- ① Cap, 2-way connection adapter
- ② 2-way connection adapter for pumps G 1 (not included with BP 4.500 Garden)
- ③ Connection adapter for pumps G 1 (included twice with BP 4.500 Garden)
- ④ Sealing plug
- ⑤ Connection G 1 (33.3 mm) suction line (inlet)
- ⑥ Filling nozzle with cap
- ⑦ Connection G 1 (33.3 mm) pressure line (outlet)
- ⑧ ON/OFF switch
- ⑨ Water drain valve
- ⑩ **Tap connection G 1
- ⑪ **Coupling with Aqua Stop

- ⑫ **Coupling
- ⑬ **Syringe
- ⑭ *Suction hose set incl. 3.5 m ready-to-connect, vacuum-proof spiral hose with suction filter and back-flow stop
- ⑮ **Garden hose 1/2" 20 m
- ⑯ Power supply cable with plug

* Only accessories included with Set and Set Plus.

** Only accessories included with Set Plus.

Startup

We recommend using only original Kärcher suction hoses, filter components and hose connections. Using components from other manufacturers can lead to malfunctions when sucking the feed fluid, especially when using bayonet connection systems.

Before initial startup

Preparation

- Remove the sealing plug.
- Screw the connection adapter into the suction connection of the pump (inlet). Manually tighten.
- Connect a vacuum-tight suction hose

Illustration B

Note

If the water is dirty, we recommend fitting a pre-filter (see Special accessories) between the check valve and the suction hose.

Illustration C

Note

To shorten the re-suction time, use a suction hose with backflow stop. This prevents the suction hose from emptying after use (see Special accessories).

- Screw the connection adapter into the pressure connection of the pump (outlet). Manually tighten.

Illustration D

- Open the filling nozzle cap.

Illustration E

- Fill the pump with water until it overflows.

Illustration F

Operation

1. Plug the mains plug into a mains socket.
2. Switch the device on with the ON/OFF switch.
3. To shorten the suction time, raise the pressure hose approx. 1 m.

Illustration I

4. Wait until the pump simultaneously sucks and delivers.

⚠ CAUTION

Danger due to dry running

Dry running damages the pump.

Do not let the pump run dry!

5. Do not leave the pump unattended during operation.

ATTENTION

Risk of injury. The system is pressurised!

Risk of injury.

(for pressure see chapter "Technical data")

Ending operation

1. Switch off the device at the ON/OFF switch.
2. Pull the mains plug out of the socket.

Care and maintenance

⚠ DANGER

Danger of electric shock.

Always switch the device off and disconnect the mains plug before working on the device.

The device is maintenance-free.

Rinse

Note

Rinse the pump with clear water after each use when pumping water with additives.

Transport

⚠ CAUTION

Risk of injury

Risk of injury from falling device.

When transporting the device, observe the weight of the device (see chapter Specifications) and secure it accordingly when transporting it in vehicles.

Manual transport

1. Roll up the cable.
2. Lift and carry the device by the carrying handle.

Transport in vehicles

1. Secure the device against slipping and tipping over.

⚠ CAUTION

Risk of injury

Risk of injury from falling device.

When transporting the device, observe the weight of the device (see technical data) and secure it accordingly when transporting it in vehicles.

Storage

⚠ CAUTION

Failure to observe the weight

Risk of injury and damage

Be aware of the weight of the device during storage.

1. Store the device in a frost-protected place.

Storing the device

1. Depressurise the device by opening the water removal connected to the pressure side (e.g. opening the garden sprayer).
2. Empty the hoses.
3. Remove suction line and pressure line.
4. Drain the pump via the water drain valve.

Illustration H

5. Store the device in a frost-protected place.

Special accessories

You will find the possible special accessories on the last page of these operating instructions.

Troubleshooting guide

Malfunctions often have simple causes that you can remedy yourself using the following overview. When in doubt, or in the case of malfunctions not mentioned here, please contact your authorised Customer Service.

Fault	Cause	Rectification
Pump is running, but not delivering	Air is in the pump.	1. Check for correct startup (see chapter <i>Preparation and Operation</i>).
	Dirt particles block the suction area.	1. Pull the mains plug out of the socket. 2. Clean the suction area.
	The suction hose or the connection adapter is not correctly screwed in.	1. Check that the seals are fitted correctly. 2. Manually tighten the suction hose and connection adapter.
	The pre-filter is clogged.	1. Clean the pre-filter.
The pump does not start up, or stops suddenly during operation	The power supply is disconnected.	1. Check the fuses and the electrical connections.
The pump capacity drops or is too low	The suction area is clogged.	1. Pull the mains plug out of the socket. 2. Clean the suction area.
	The delivery rate of the pump depends on the delivery head and the connected periphery.	1. Observe the max. delivery head (see chapter <i>Specifications</i>), select a different hose diameter or a different hose length if necessary.
	The cross-section on the pressure side is narrowed, e.g. due to the valve/ball tap not being fully open.	1. Open the valve/ball tap completely.
	The hose is kinked on the pressure side.	1. Eliminate the kink points in the hose.
	The pre-filter is clogged.	1. Clean the pre-filter.

Specifications

		BP 4.500	BP 5.000	BP 6.000	BP 7.000
		Garden	Garden	Garden	Garden
		BP 4.500	BP 5.000	BP 6.000	
		Garden Set	Garden Set	Garden Set	
		Plus	Plus	Plus	
Mains voltage	V	230-240	230-240	230-240	230-240
Power frequency	Hz	50	50	50	50
Nominal power	W	550	650	1000	1100
Maximum flow rate	l/h	4500	5000	6000	7000
Suction height (max.)	m	8	8	8	8
Pressure (max.)	MPa (bar)	0,36 (3,6)	0,40 (4,0)	0,45 (4,5)	0,5 (5,0)
Delivery height (max.)	m	35	40	45	50
Delivery temperature (max.)	°C	35,0	35,0	35,0	35,0
Particle size (max.) of permissible feed fluids	mm	1	1	1	1
Pump type		Jet	Jet	Jet	Jet
Sound pressure level L_{pA}	dB(A)	56	58	69	68
Guaranteed sound power level L_{WA}	dB(A)	71	73	84	83
Dimensions and weights					
Weight (without accessories)	kg	6,4	7,0	9,7	10,0

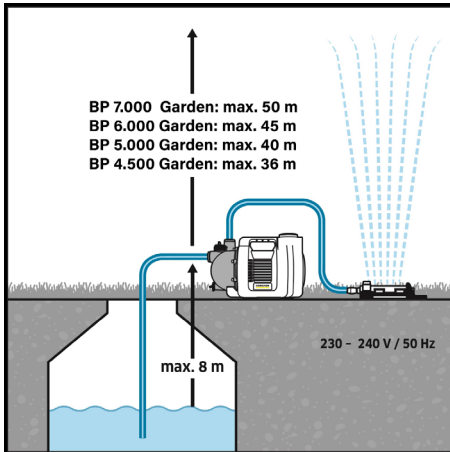
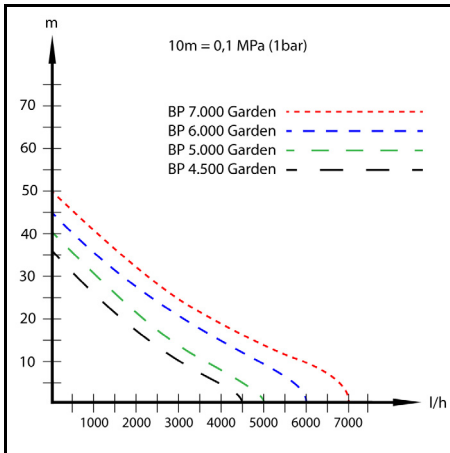
Note

Reason for exception according to regulation (EU)

2019/1781 Annex I Section 2 (12): (j)

Subject to technical modifications!

Characteristic curves



Declaration of Conformity

EU Declaration of Conformity

We hereby declare that the machine described below complies with the relevant basic safety and health requirements in the EU Directives, both in its basic design and construction as well as in the version placed in circulation by us. This declaration is invalidated by any changes made to the machine that are not approved by us.

Product: Pump
Type: 1.645-xxx

Currently applicable EU Directives

2006/42/EC (+2009/127/EC)
2014/30/EU
2000/14/EC
2011/65/EU
2009/125/EC

Commission Regulation(s)

(EU) 2019/1781

Harmonised standards used

EN 60335-1
EN 60335-2-41
EN 62233: 2008
EN 55014-1: 2017 + A11: 2020
EN 55014-2: 1997+A1: 2001+A2: 2008
EN 61000-3-2: 2014
EN 61000-3-3: 2013
EN IEC 63000: 2018

Conformity evaluation procedure used

2000/14/EC: Annex V

Sound power level dB(A)

BP 4.500 Garden

Measured: 68

Guaranteed: 71

BP 5.000 Garden

Measured: 70

Guaranteed: 73

BP 6.000 Garden

Measured: 81

Guaranteed: 84

BP 7.000 Garden

Measured: 81

Guaranteed: 83

The signatories act on behalf of and with the authority of the company management.


H. Jenner

Chairman of the Board of Management


S. Reiser

Manager Regulatory Affairs & Certification

Documentation supervisor:

S. Reiser

Alfred Kärcher SE & Co. KG

Alfred-Kärcher-Str. 28 - 40

71364 Winnenden (Germany)

Ph.: +49 7195 14-0

Fax: +49 7195 14-2212

Winnenden, 2021/06/01



THANK YOU!
MERCI! DANKE! ¡GRACIAS!



Registrieren Sie Ihr Produkt und profitieren Sie von vielen Vorteilen.

Register your product and benefit from many advantages.

Enregistrez votre produit et bénéficiez de nombreux avantages.

Registre su producto y aproveche de muchas ventajas.

www.kaercher.com/welcome



Bewerten Sie Ihr Produkt und sagen Sie uns Ihre Meinung.

Rate your product and tell us your opinion.

Évaluer votre produit et dites-nous votre opinion.

Reseñe su producto y díganos su opinión.



www.kaercher.com/dealersearch

Alfred Kärcher SE & Co. KG

Alfred-Kärcher-Str. 28-40

71364 Winnenden (Germany)

