

## K 2 Premium

English

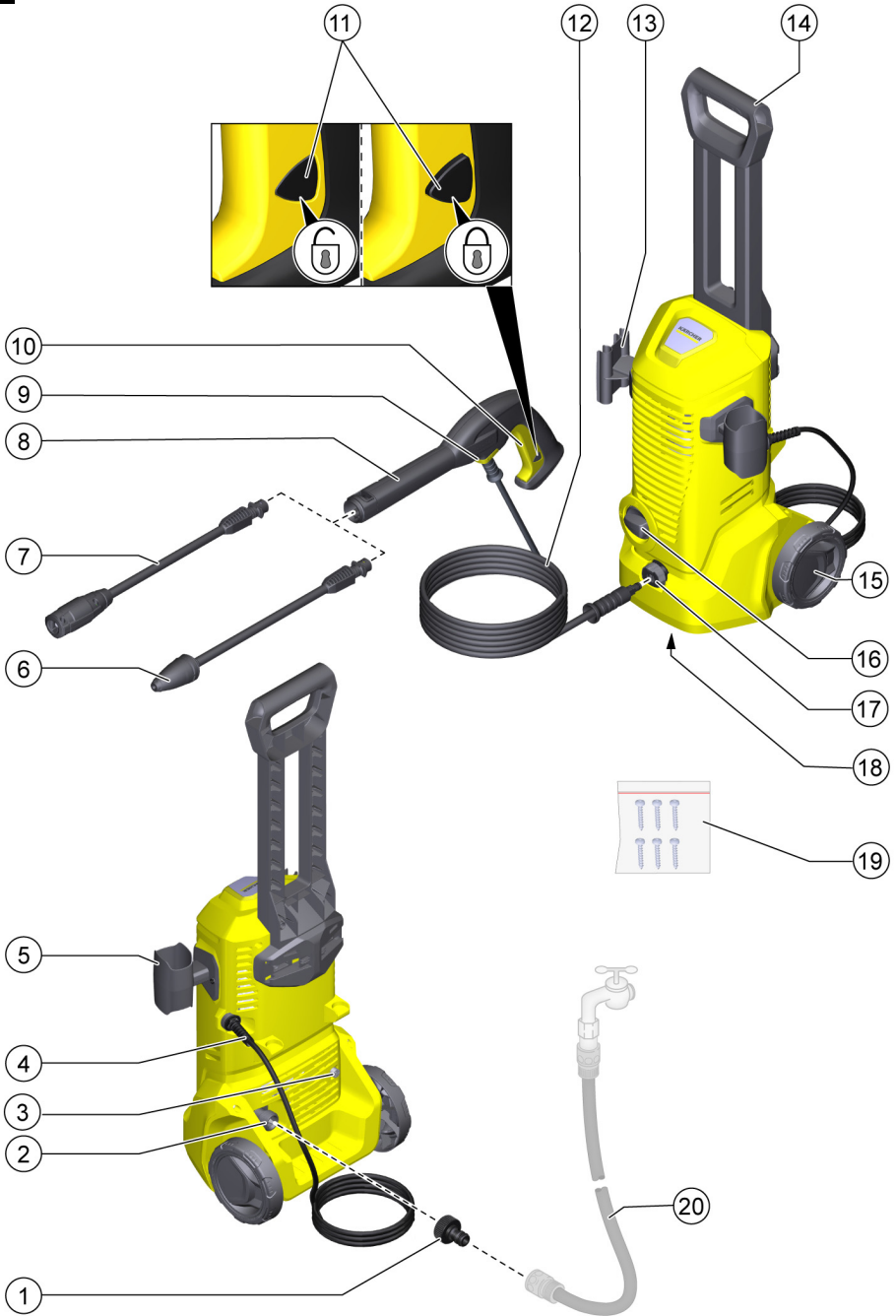


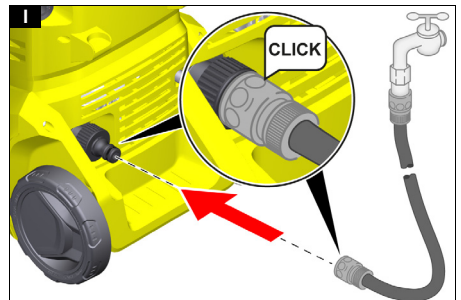
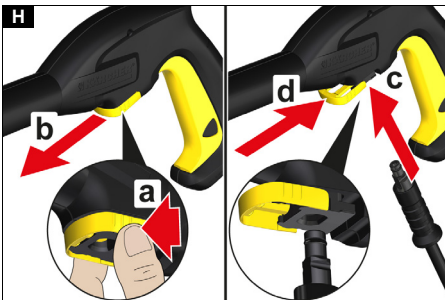
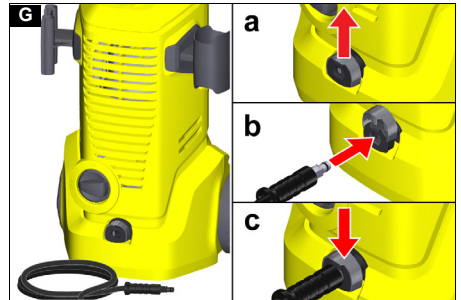
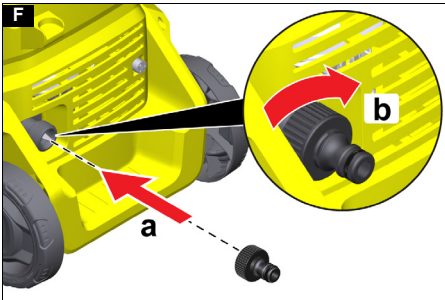
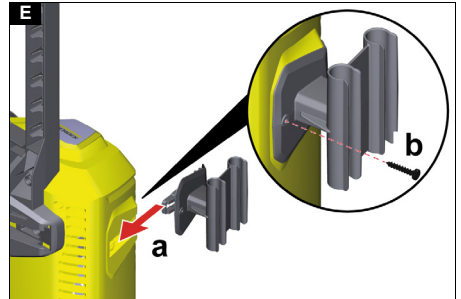
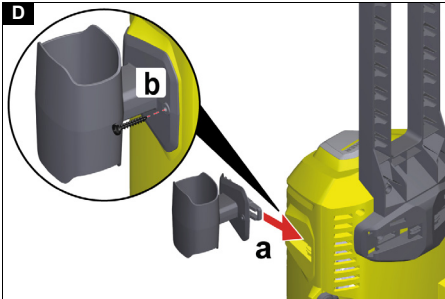
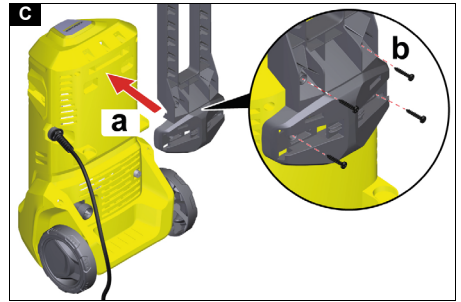
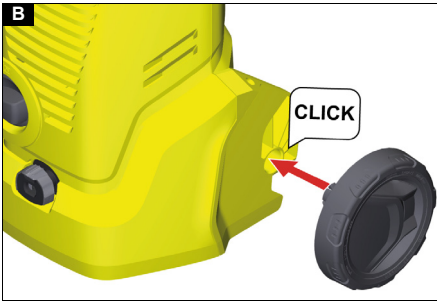
**Register  
your product**  
[www.kärcher.com/welcome](http://www.kärcher.com/welcome)

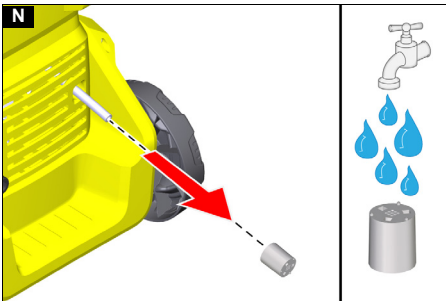
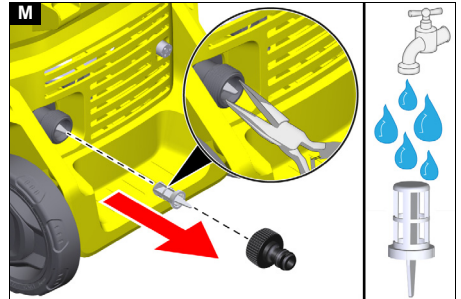
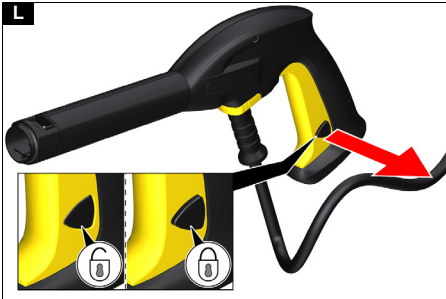
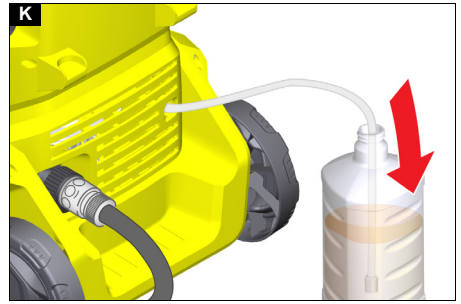
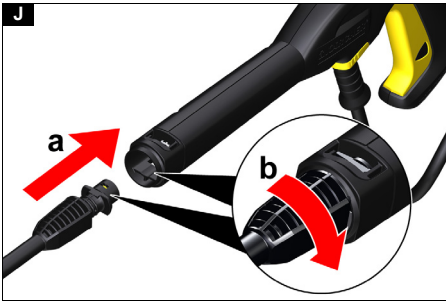


59801850 (12/23)

A







## Contents

Safety instructions .....	5
Environmental protection .....	7
Intended use .....	7
Accessories and spare parts .....	7
Scope of delivery .....	7
Description of the device .....	7
Safety devices .....	7
Symbols on the device .....	8
Installation .....	8
Initial startup .....	8
Operation .....	9
Transport .....	9
Storage .....	10
Care and service .....	10
Troubleshooting guide .....	11
1 Year Warranty .....	11
Technical data .....	11

## Safety instructions



Read this safety chapter and these original instructions before using the device for the first time. Act in accordance with

them. Keep the original instructions for future reference or for future owners.

- In addition to the notes in the operating instructions, you also need to take into consideration the general safety regulations and accident prevention guidelines applicable by law.
- Warnings and information notices attached to the device provide important information for hazard-free operation.

### Hazard levels

#### **⚠ DANGER**

- Indication of an imminent threat of danger that will lead to severe injuries or even death.

#### **⚠ WARNING**

- Indication of a potentially dangerous situation that may lead to severe injuries or even death.

#### **⚠ CAUTION**

- Indication of a potentially dangerous situation that may lead to minor injuries.

#### **ATTENTION**

- Indication of a potentially dangerous situation that may lead to damage to property.

## Operation

**⚠ DANGER** • Operation in explosive atmospheres is prohibited. • Never suction solvents, liquids containing solvents or undiluted acids. This includes e.g. petrol, paint thinner or heating oil. The spray mist is highly flammable, explosive and poisonous. • Damaged wheels / tyre valves are extremely dangerous. Damaged wheels / tyre valves can be damaged by the high-pressure jet and explode. The first sign of this is discolouration of the tyres. Keep a spray distance of at least 30 cm when cleaning the wheels / tyre valves.

**⚠ WARNING** • Do not use the device if people without the proper protective clothing are in its reach. • Do not aim the high-pressure jet at yourself, e.g. to clean clothes or shoes. • Do not direct the high-pressure jet at persons, animals, live electrical equipment or at the device itself. • Do not spray any objects which contain harmful substances (e.g. asbestos). • Check the device and the accessories, such as the high-pressure hose, high-pressure gun and safety devices, to make sure they are in proper safe and reliable condition before each operation. Do not use the device if it is damaged. Replace damaged components immediately. • Only use high-pressure hoses, control panels and couplings specified by the manufacturer. • Risk of scalding. When disconnecting the supply or high-pressure hose, hot water can leak out of the connections after operation.

**⚠ CAUTION** • According to the applicable regulations, the appliance may never be used with the drinking water network without a system separator. Ensure that the connection to your house water system, with which the high-pressure cleaner is operated, is equipped with a system separator according to EN 12729 type BA. • Water that has flowed through a system separator is no longer classified as drinkable. • Never leave the device unsupervised while it is in operation. • Recoil force from the water stream emerging at the high-pressure nozzle acts on the high-pressure gun. Keep proper footing and hold the high-pressure gun and spray lance firmly. • Accidents or damage due to the device falling over. Before all actions with or on the device, you must make sure that it is stable.

**ATTENTION** • Do not operate the device at temperatures below 0 °C.

### Protective gear

**⚠ CAUTION** • Wear suitable protective clothing and safety goggles to protect yourself from water or dirt backsplash. • Aerosols can be formed when using high-pressure cleaners. Inhaling aerosols can be harmful for your health. Depending on the application, the use of fully shielded nozzles (e.g. surface cleaners) can significantly lower the emission of aqueous aerosols. Depending on the environment to be cleaned, wear a suitable respiratory protective mask of class FFP 2 or comparable to protect yourself from inhaling aerosols if the use of a fully shielded nozzle is not possible.

### Risk of electric shock

**⚠ DANGER** • Only connect protection class I devices to properly earthed power sources. • Only connect the device to alternating current. The voltage indicated on the type plate must match the voltage of the power source. • Only operate the device via a fault current protection switch (maximum 30 mA). • Never touch the mains plug and socket with wet hands. • The mains plug and coupling of the extension cable must be water tight and may not be placed in water. The coupling may not be on the floor. Use cable drums to ensure that the sockets are at least 60 mm above the floor. • All live parts in the work area must be protected against water jets.

**⚠ WARNING** • Only connect the device to an electrical connection which has been set up by a qualified electrician as per IEC 60364-1. • Check that the mains connection cable with mains plug is undamaged each time before using the device. To avoid any possible danger, a damaged mains connection cable must be immediately replaced by the manufacturer, or the authorised customer service department or a qualified electrician. • Do not damage the power supply and extension cable by running over it, crushing or yanking it or similar. Protect the power supply cable from heat, oil and sharp edges. • Unsuitable electrical extension cables are dangerous. Only use approved and appropriately marked electrical extension cables with a sufficient line cross section when outdoors: 1-10 m : 1.5 mm<sup>2</sup>, 10-30 m : 2.5 mm<sup>2</sup>.

**⚠ CAUTION** • Always fully unwind the extension cable from the cable drum. • In case of longer breaks in operation and after use, switch off the device at the main switch / device switch and pull the mains plug.

### Operation with detergent

**⚠ WARNING** • Incorrect use of detergents can cause serious injuries or poisoning.

**⚠ CAUTION** • Keep the detergent out of the reach of children. • Only use the detergents supplied or specified by the manufacturer. The use of other detergents or chemicals can impair the safety of the device.

### Care and service

**⚠ WARNING** • Always pull out the mains plug before all care and maintenance work.

**⚠ CAUTION** • Have repair work and work on electrical components carried out by the authorised customer service only.

**ATTENTION** • Do not use acetone, undiluted acids or solvents, as they corrode the materials used on the device.

### Transportation

#### **⚠ CAUTION**

- Risk of accidents and injuries. Take into account the weight of the device for transportation and storage. See chapter Technical data in the operating instructions.

### General safety instructions

**⚠ DANGER** • Risk of asphyxiation. Keep packaging film out of the reach of children.

**⚠ WARNING** • Only use the device for its proper use. Take into account the local conditions and beware of third parties, in particular children, when working with the device. • Persons with reduced physical, sensory or mental capabilities and persons lacking experience and knowledge may only use the appliance if they are properly supervised, have been instructed on use of the appliance safely by a person responsible for their safety, and understand the resultant hazards involved. • Children must not operate the device. • Children must be supervised to prevent them from playing with the appliance.

**⚠ CAUTION** • Safety devices are provided for your own protection. Never modify or bypass safety devices.

## Environmental protection



The packing materials can be recycled. Please dispose of packaging in accordance with the environmental regulations.



Electrical and electronic devices contain valuable, recyclable materials and often components such as batteries, rechargeable batteries or oil, which - if handled or disposed of incorrectly - can

pose a potential danger to human health and the environment. However, these components are required for the correct operation of the device. Devices marked by this symbol are not allowed to be disposed of together with the household rubbish.



Cleaning work producing in oily waste water, e.g. washing engines, washing undercarriages etc., may only be performed at washing stations with an oil separator.



Working with detergents may only be performed on watertight surfaces with connection to the waste water sewage system. Do not allow detergent to enter waterways or the soil.

### Notes on the content materials (REACH)

Current information on content materials can be found at: [www.kaercher.de/REACH](http://www.kaercher.de/REACH)

## Intended use

Use the high-pressure cleaner in private households only.

The high-pressure cleaner is intended for cleaning machines, vehicles, buildings, tools, façades, terraces, garden machines etc. using a high-pressure water jet.

## Accessories and spare parts

Only use original accessories and original spare parts. They ensure that the appliance will run fault-free and safely.

Information on accessories and spare parts can be found at [www.kaercher.com](http://www.kaercher.com).

## Scope of delivery

The scope of delivery for the appliance is shown on the packaging. Check the contents for completeness when unpacking. If any accessories are missing or in the event of any shipping damage, please notify your dealer.

## Description of the device

For the illustrations, refer to the graphics page **Illustration A**

- ① Water connection coupling
- ② Water connection with integrated sieve
- ③ Detergent suction hose
- ④ Mains connection cable with mains plug
- ⑤ Storage for high-pressure gun
- ⑥ Spray lance dirt blaster for stubborn soiling
- ⑦ Vario Power spray lance for common cleaning tasks  
The working pressure can be continuously increased from "SOFT" to "HARD". To adjust the working pressure, release the trigger gun lever and turn the spray lance to the desired position. Detergent can be added to the water jet when the spray lance is turned all the way in the SOFT direction.
- ⑧ High-pressure gun
- ⑨ Clamp for connecting / disconnecting the high-pressure hose
- ⑩ High-pressure gun lever
- ⑪ High-pressure gun lock
- ⑫ High-pressure hose
- ⑬ Storage for spray lance
- ⑭ Transport handle
- ⑮ Transport wheel
- ⑯ Trigger "0/OFF" / "I/ON"
- ⑰ High-pressure connection
- ⑱ Type plate
- ⑲ Screws
- ⑳ \*\*Garden hose (fabric reinforced, diameter at least 1/2 inch (13 mm), length at least 7.5 m, with commercially available quick coupling)

\*\* additionally required

## Safety devices

### ⚠ CAUTION

#### **Missing or modified safety devices!**

*Safety devices are provided for your own protection. Do not bypass, remove or render ineffective any safety devices.*

### Power switch

The power switch prevents unintentional operation of the device.

### High-pressure gun lock

The lock locks the lever of the high-pressure gun and prevents the device from starting unintentionally.

### Auto-stop function

If the lever of the high-pressure gun is released, the pressure switch turns off the pump and the high-pressure jet stops. The pump switches on again when the lever is pressed.

## Symbols on the device



Do not aim the high-pressure jet may at persons, animals, live electrical equipment or the device itself.

Protect the device against frost.



The device may not be connected to the public drinking water network.

## Installation

For the illustrations, refer to the graphics page.

Fit the supplied loose parts onto the device before starting up the device.

Have the included screws and the appropriate screwdriver ready.

### Installing the wheels

1. Install the wheels on the device so that they latch into place.

**Illustration B**

### Mounting the transport handle

1. Attach the transport handle.
2. Secure the transport handle with 4 screws.

**Illustration C**

### Mounting the storage option for the high-pressure gun

1. Push in the storage option for the high-pressure gun into the holder on the device.
2. Hold the storage option in the end position and secure it using a screw.

**Illustration D**

### Mounting the storage option for spray lances

1. Push in the storage option for the spray lances into the holder on the device.
2. Hold the storage option in the end position and secure it using a screw.

**Illustration E**

### Installing the water connection coupling

1. Screw the water connection coupling onto the water connection on the device.

**Illustration F**

## Initial startup

1. Place the device on a flat and level surface.
2. Unwind the high-pressure hose and eliminate any loops and twists.
3. Connect the high-pressure hose to the device.
  - a Pull up the clamp on the coupling.
  - b Insert the high-pressure hose into the coupling.
  - c Press down the clamp on the coupling.

### Illustration G

4. Connect the high-pressure hose to the high-pressure gun.
  - a Squeeze the clamp.
  - b Pull out the clamp.
  - c Insert the high-pressure hose.
  - d Press the clamp in until it latches into place.

### Illustration H

5. Check for a secure connection by pulling on the high-pressure hose.
6. Plug the mains plug into a mains socket.

### Water supply

For the connection values, see the type plate or chapter *Technical data*.

Observe the water distribution company regulations.

### ATTENTION

#### **Damage through contaminated water**

*Contamination in the water can damage the pump and the accessories.*

*KÄRCHER recommends using the KÄRCHER water filter for protection (special accessory, order number 4.730-059).*

### Connection to the water line

### ATTENTION

#### **Hose coupling with Aquastop on the water connection of the device**

*Damage to the pump*

*Never use a hose coupling with Aquastop on the water connection of the device.*

*You can use an Aquastop coupling on the tap.*

1. Plug the garden hose onto the water connection coupling.
  2. Connect the garden hose to the water line.
- Illustration I**
3. Open the water tap fully.



## Operation

### ATTENTION

#### **Pump running dry**

*Damage to the device*

*If pressure does not build up in the device after 2 minutes then switch the device off and proceed according to the instructions in chapter Troubleshooting guide.*

### High-pressure operation

### ATTENTION

#### **Damage to painted or sensitive surfaces**

*Surfaces can be damaged when the jet is too close to the surface or an unsuitable spray lance is used. Maintain a minimum spray distance of 30 cm when cleaning painted surfaces.*

*Do not clean car tyres, paint or sensitive surfaces such as wood with the dirt blaster.*

1. Insert a spray lance into the high-pressure gun and lock it by turning it 90°.

#### **Illustration J**

2. Switch the device on ("I/ON").
3. Unlock the lever of the high-pressure gun.
4. Press the lever of the high-pressure gun. The device switches on.

### Operation with detergent

### ⚠ DANGER

#### **Failure to adhere to the safety data sheet**

*Incorrect handling of the detergent can seriously damage your health*

*Observe the safety data sheet of the detergent manufacturer, in particular the instructions on personal protective equipment.*

#### **Note**

*KÄRCHER detergents ensure fault-free operation. Ask us for a consultation, request our catalog or our detergent information sheets.*

#### **Note**

*Detergent can only be mixed into the jet at low pressure.*

1. Pull the suction hose for the detergent out of the casing to the desired length.

#### **Illustration K**

2. Hang the detergent suction hose in a container with detergent solution.
3. Use the Vario Power spray lance.
4. Turn the spray lance all the way into the "SOFT" position.

*The detergent solution is mixed with the water jet during operation.*

### Recommended cleaning method

1. Spray the detergent sparingly on the dry surface and let it work for a while (do not let it dry).
2. Rinse off the loosened dirt with the high-pressure jet.

### After operation with detergent

1. Flush the device with clear water for approx. 30 seconds.

## Interrupting operation

1. Release the lever of the high-pressure gun. The device switches off when the lever is released. The high pressure in the system is retained.
2. Lock the lever of the high-pressure gun.

#### **Illustration L**

3. Switch the device off "0/OFF" during work breaks longer than 5 minutes.

## Ending operation

### ⚠ CAUTION

#### **Pressure in the system**

*Injuries from high-pressure water escaping uncontrollably*

*Only disconnect the high-pressure hose from the high-pressure gun or the device when the system is fully depressurised.*

1. Release the lever of the high-pressure gun.
2. Close the water tap.
3. Press the lever of the high-pressure gun for 30 seconds.

*The pressure remaining in the system is discharged.*

4. Release the lever of the high-pressure gun.
5. Lock the lever of the high-pressure gun.
6. Disconnect the device from the water supply.
7. Switch off the device "0/OFF".
8. Pull the mains plug out of the socket.

## Transport

### ⚠ CAUTION

#### **Failure to observe the weight**

*Risk of injury and damage*

*Be aware of the weight of the device during transportation.*

### Pulling the device

1. Pull the device via the transport handle.

### Transporting the device in a vehicle

1. Secure the device against slipping and tipping over.

## Storage

### **⚠ CAUTION**

#### ***Risk of injury and damage!***

*Injury or damage due to non-observance of the weight. Be aware of the weight of the device during transport and storage.*

#### **Storing the device**

1. Place the device on a level surface.
  2. Disconnect the high-pressure hose from the high-pressure gun.
  3. Disconnect the spray lance from the high-pressure gun.
  4. Stow both spray lances and the high-pressure gun in the appropriate storage options.
  5. Disconnect the high-pressure hose from the device.
  6. Store the high-pressure hose on the device.
  7. Stow the mains connection cable on the device.
- Observe the additional notes before storing the device for a longer period of time, see chapter *Care and service*.

#### **Frost protection**

### **ATTENTION**

#### ***Danger of frost***

*Incompletely emptied devices can be destroyed by frost.*

*Completely empty the device and accessories.*

*Protect the device from frost.*

The following requirements must be satisfied:

- The device is disconnected from the water supply.
  - The high-pressure hose is removed.
1. Switch the device on "I/ON".
  2. Wait for a maximum of 1 minute until no more water escapes from the high-pressure connection.
  3. Switch off the device.
  4. Store the device in a frost-protected room, together with all accessories.

## Care and service

### **⚠ DANGER**

#### ***Danger of electric shock***

*Injuries due to touching live parts  
Switch off the device.*

*Remove the mains plug.*

The device is maintenance-free, i.e. you do not need to perform any maintenance work.

#### **Clean the sieve in the water connection**

### **ATTENTION**

#### ***Damaged sieve in the water connection***

*Damage to the device through contaminated water  
Check the sieve for damage before inserting it in the water connection.*

If necessary, clean the sieve in the water connection.

1. Remove the water connection coupling.
2. Pull the sieve out.
3. Clean the sieve under running water.

#### **Illustration M**

4. Insert the sieve into the water connection.

#### **Cleaning the detergent filter**

Clean the detergent filter before prolonged storage.

1. Remove the filter from the detergent suction hose.
2. Clean the filter under running water.

#### **Illustration N**

## Troubleshooting guide

Malfunctions often have simple causes that you can remedy yourself using the following overview. When in doubt, or in the case of malfunctions not mentioned here, please contact your authorised Customer Service.

### **⚠ DANGER**

#### **Danger of electric shock**

*Injuries due to touching live parts*

*Switch off the device.*

*Remove the mains plug.*

#### **Device not running**

1. Press the lever of the high-pressure gun.  
The device switches on.
2. Check that the voltage specified on the type plate corresponds to the voltage of the power source.
3. Check the mains connection cable for damage.

#### **Device does not reach required pressure**

The water supply is too low.

1. Open the water tap fully.
2. Check the water inlet for an adequate flow rate.
3. Check the setting at the spray lance.
4. Check that the maximum suction height is not exceeded.

The sieve in the water connection is dirty.

1. Pull the sieve in the water connection out using flat pliers.
2. Clean the sieve under running water.

#### **Illustration M**

Air is in the device.

1. Vent the device:
  - a Switch on the device without a connected spray lance for a maximum of 2 minutes.
  - b Press the high-pressure gun and wait until the water escaping from the high-pressure gun is free of air bubbles.
  - c Connect the spray lance.

#### **Strong pressure fluctuations**

1. Cleaning the high-pressure nozzle:
  - a Remove contamination from the nozzle drill with a needle.
  - b Rinse the high-pressure nozzle with water from the front.
2. Check the water supply volume.

#### **Device leaking**

1. The device leaks a small amount for technical reasons. If the leak is severe, request authorised Customer Service.

#### **Detergent is not sucked in**

1. Use the Vario Power spray lance and turn it all the way in the "SOFT" direction.
2. Clean the filter on the detergent suction hose.
3. Check the detergent suction hose for kinks.

## 1 Year Warranty


The warranty terms published by the relevant sales company are applicable in each country. We will repair potential failures of your appliance within a one year warranty period free of charge, provided that such failure is caused by faulty material or defects in manufacturing. In the event of a warranty claim please contact your dealer or the nearest authorized Customer Service centre. Please submit the proof of purchase.

Addresses can be found under:

[www.kaercher.com/dealersearch](http://www.kaercher.com/dealersearch)

## Technical data

### Electrical connection

Voltage	V	220-240
Phase	~	1
Frequency	Hz	50-60
Current consumption	A	6
Degree of protection		IPX5
Protection class		II
Power protection (slow-blowing)	A	10

### Water connection

Feed pressure (max.)	MPa	1,2
Input temperature (max.)	°C	40
Input amount (min.)	l/min	7

### Device performance data

Operating pressure	MPa	7,4
Max. permissible pressure	MPa	11
Water flow rate	l/min	5,2
Maximum flow rate	l/min	6,0
Detergent flow rate	l/min	0,3
High-pressure gun recoil force	N	11

### Dimensions and weights

Typical operating weight	kg	5,0
Length	mm	242
Width	mm	285
Height	mm	790

Subject to technical modifications.



[www.kaercher.com/dealersearch](http://www.kaercher.com/dealersearch)

**Alfred Kärcher SE & Co. KG**  
Alfred-Kärcher-Str. 28-40  
71364 Winnenden (Germany)

