

# KÄRCHER

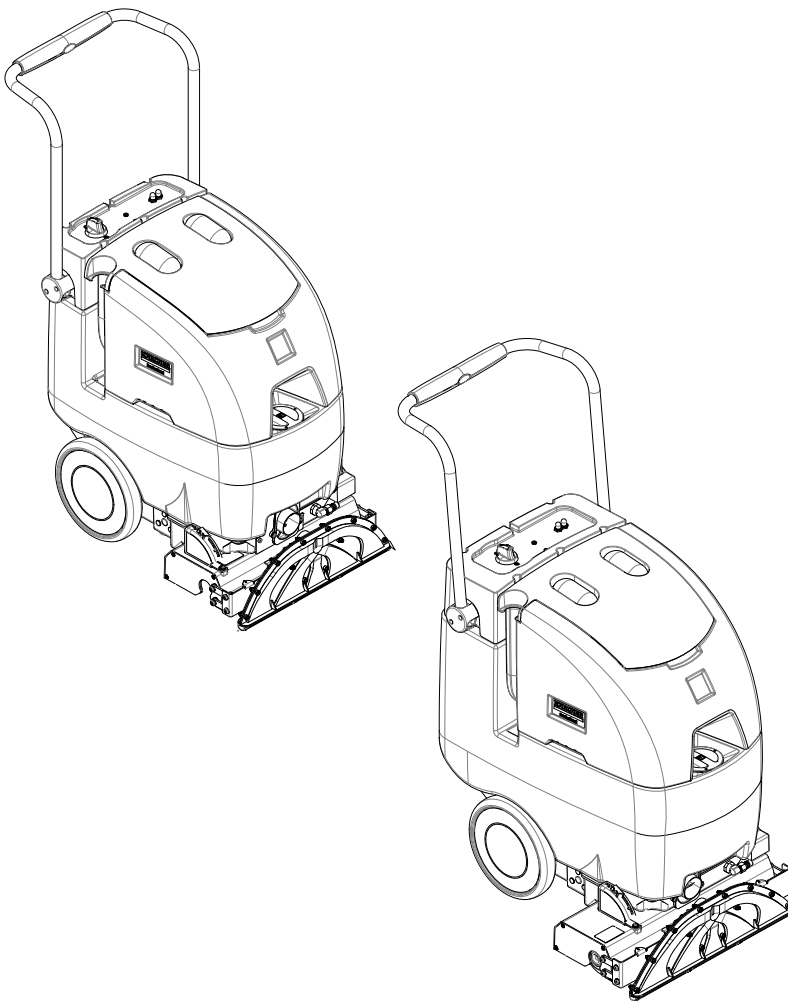
makes a difference

## Admiral X Admiral XL

English 02

Español 33

Français 63



From Serial Number (Ref No1\*)  
\*See Serial Number Page in Spare  
Parts List or call manufacturer



8.645-740.0-A 12/08/23

## **Machine Data Label**

Model:	_____
Date of Purchase:	_____
Serial Number:	_____
Dealer:	_____
Address:	_____
Phone Number:	_____
Sales Representative:	_____

This carpet extractor is an electrical powered, portable carpet extractor intended for commercial use. The appliance sprays a cleaning solution onto the carpet agitates the wet carpet, and then extracts the soiled solution back into the unit's recovery tank. The appliance is fitted with and a hand tool for cleaning upholstery and stairs.

**MODELS: 1.008-160.0 Admiral X, BRC 40/34**  
**1.008-161.0 Admiral XL, BRC 45/45**

### **Warranty Registration**

Thank you for purchasing a Kärcher North America product. Warranty registration is quick and easy. Your registration will allow us to serve you better over the lifetime of the product.

To register your product go to :  
<http://warranty.karcherna.com>

For customer assistance:  
1-800-444-7654

**KÄRCHER**  


**Machine Data Label . . . . .2**  
**Table of Contents . . . . .3**  
**How To Use This Manual . . . . .4**

**Safety**

Safety Labels . . . . .5  
IMPORTANT SAFETY INSTRUCTIONS . . . . .6  
HAZARD INTENSITY LEVEL . . . . .8  
Electrical . . . . .10  
Grounding Instructions . . . . .10

**Operations**

Technical Specifications . . . . .12  
Controls Locations . . . . .14  
Components . . . . .15  
Components - Recovery Tank . . . . .16  
Filling the Admiral X / Admiral XL . . . . .17  
Machine Operation . . . . .19  
Cleaning Procedure . . . . .21  
Accessory Tool Usage . . . . .24

**Maintenance**

Service Schedule . . . . .25  
Periodic Maintenance . . . . .26  
Daily / Regular Maintenance . . . . .26  
Vacuum Motor Replacement . . . . .27  
Belt Replacement . . . . .28  
Solution Pump Replacement . . . . .29  
Troubleshooting . . . . .30  
Suggested Spare Parts . . . . .31

## How To Use This Manual

This manual contains the following sections:

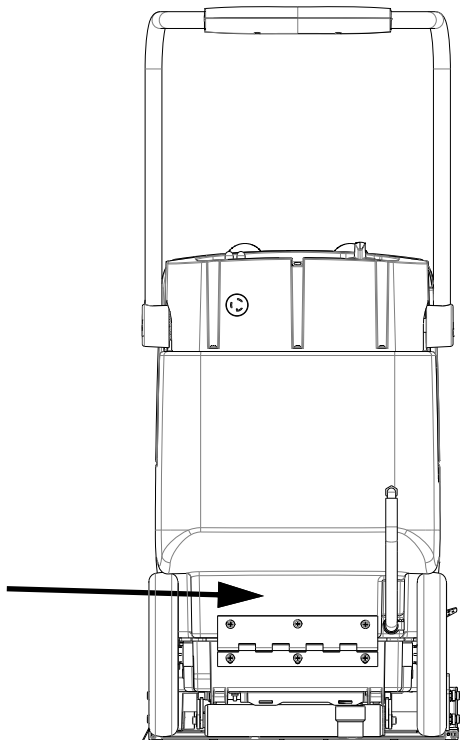
- How to Use This Manual
- Safety
- Operations
- Maintenance
- Suggested Spare Parts

The HOW TO USE THIS MANUAL section will tell you how to find important information for ordering correct repair parts.

Parts may be ordered from authorized dealers. When placing an order for parts, the machine model and machine serial number are important. Refer to the MACHINE DATA box which is filled out during the installation of your machine. The MACHINE DATA box is located on the inside of the front cover of this manual.

Model:	_____
Date of Purchase:	_____
Serial Number:	_____
Dealer:	_____
Address:	_____
Phone Number:	_____
Sales Representative:	_____

The model and serial number of your machine is located on the back of the machine.



The SAFETY section contains important information regarding hazardous or unsafe practices of the machine. Levels of hazards are identified that could result in product damage, personal injury, or severe injury resulting in death.

The OPERATIONS section is to familiarize the operator with the operation and function of the machine.

The MAINTENANCE section contains preventive maintenance to keep the machine and its components in good working condition. They are listed in this general order:

- Periodic
- Daily / Regular
- Vacuum Motor Replacement
- Belt Replacement
- Solution Pump Replacement
- Troubleshooting

*NOTE: If a service or option kit is installed on your machine, be sure to keep the KIT INSTRUCTIONS which came with the kit. It contains replacement parts numbers needed for ordering future parts.*

*NOTE: The manual part number is located on the lower right corner of the front cover.*

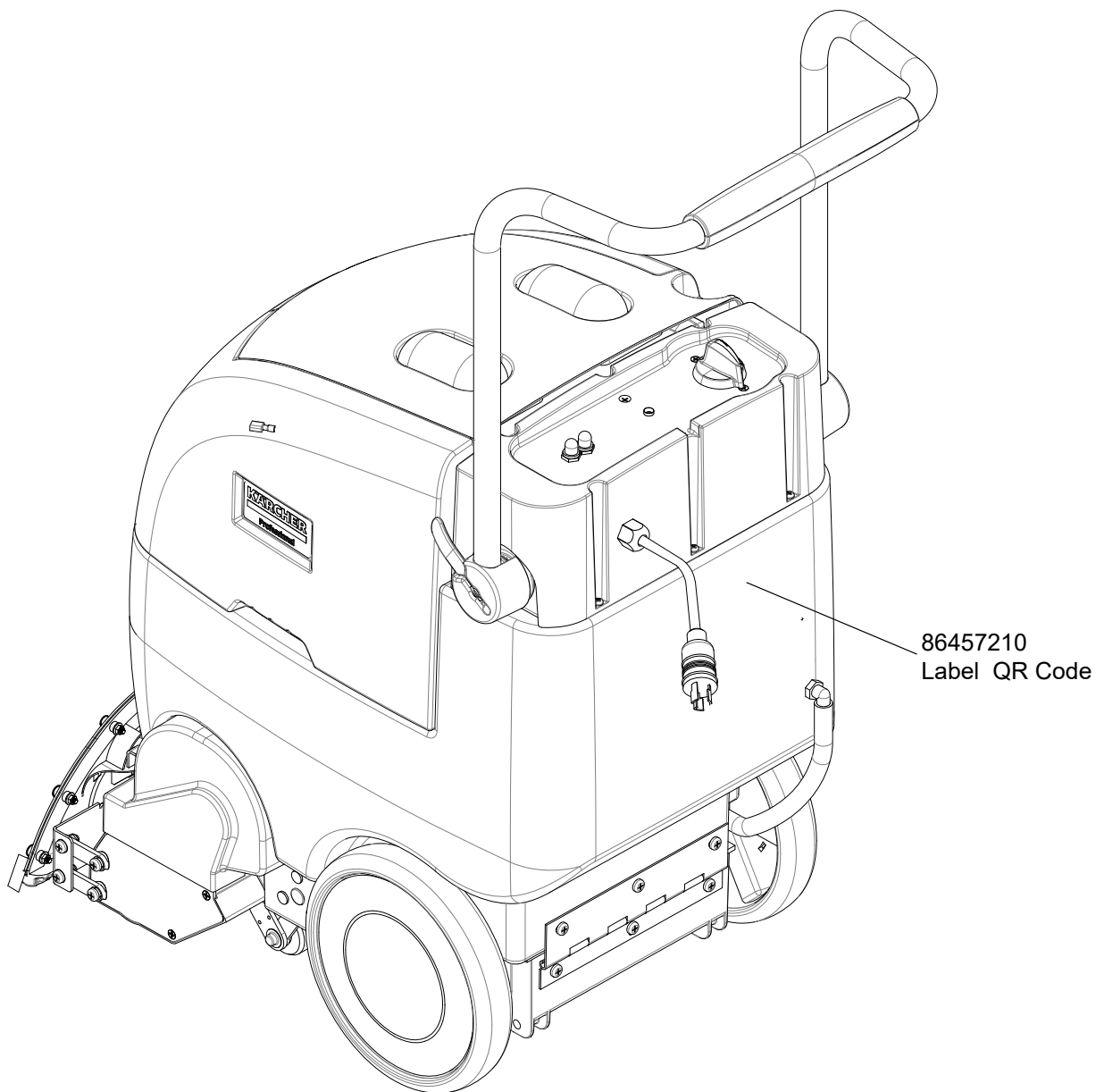


## Safety Labels

*NOTE: These drawings indicate the location of safety labels on the machine. If at any time the labels become illegible, promptly replace them.*

## Emplacement De L'étiquette De Sécurité

*REMARQUE : Ces dessins indiquent l'emplacement des étiquettes de sécurité sur la machine. Si, à tout moment, les étiquettes deviennent illisibles, contactez votre représentant autorisé pour un remplacement rapide.*



# IMPORTANT SAFETY INSTRUCTIONS

When using this machine, basic precaution must always be followed, including the following:  
**READ ALL INSTRUCTIONS BEFORE USING THIS MACHINE.**

## **WARNING:**

To reduce the risk of fire, electric shock, or injury:

Connect to a **properly grounded outlet**. See Grounding Instructions.

**Do not** leave the machine unattended. Unplug machine from outlet when not in use and before maintenance or service.

**Use only** indoors. Do not use outdoors or expose to rain.

**Do not** allow machine to be used as a toy. **Close attention** is necessary when used by or near children.

**Use only** as described in this manual. Use only manufacturer's recommended components and attachments.

**Do not** use damaged electrical cord or plug. Follow all instructions in this manual concerning grounding the machine. If the machine is **not working properly**, has been dropped, damaged, left outdoors, or dropped into water, return it to an authorized service center.

**Do not** pull or carry machine by electrical cord, use as a handle, close a door on cord, or pull cord around sharp edges or corners.

**Do not** run machine over cord. **Keep** cord away from heated surfaces.

**Do not** unplug machine by pulling on cord. To unplug, grasp the electrical plug, not the electrical cord.

**Do not** handle the electrical plug or machine with wet hands.

**Do not** operate the machine with any openings blocked. Keep openings free of debris that may reduce airflow.

This machine is intended for cleaning carpet only.

**Do not** vacuum anything that is burning or smoking, such as cigarettes, matches, or hot ashes.

This machine is not suitable for picking up health endangering dust.

Turn off all controls before unplugging.

Do not operate this machine near flammable fluids, dust or vapors.

Maintenance and repairs must be done by qualified personnel.

If foam or liquid comes out of machine, **switch off immediately**.

# READ AND SAVE THESE INSTRUCTIONS

# IMPORTANTES MESURES DE SÉCURITÉ

L'utilisation d'un appareil électrique demande certaines précautions:  
LIRE TOUTES LES INSTRUCTIONS AVANT DE FAIRE FONCTIONNER (CET APPAREIL).

## **⚠️ AVERTISSEMENT:**

**Pour réduire le risque d'incendie, d'électrocution ou de blessure :**

Connectez-vous à une prise correctement mise à la terre. Voir les instructions de mise à la terre.

Ne pas laisser l'appareil sans surveillance lorsqu'il est branché. Débrancher lorsque l'appareil n'est pas utilisé et avant l'entretien.

Utiliser uniquement à l'intérieur. Ne pas utiliser à l'extérieur et ne pas exposer à la pluie.

Ne pas permettre aux enfants de jouer avec l'appareil. Une attention particulière est nécessaire lorsque l'appareil est utilisé par des enfants ou à proximité de ces derniers.

Utiliser cet appareil conformément aux instructions du présent manuel uniquement. N'utiliser que les composants et les accessoires conseillés par le fabricant.

Ne pas utiliser si le cordon ou la fiche est endommagé. Suivez toutes les instructions de ce manuel concernant la mise à la terre du machine. Retourner l'appareil à un atelier de réparation s'il ne fonctionne pas bien, s'il est tombé ou s'il a été endommagé, oublié à l'extérieur ou immergé.

Ne pas tirer soulever ou traîner l'appareil par le cordon. Ne pas utiliser le cordon comme une poignée, le coincer dans l'embrasure d'une porte ou l'appuyer contre des arêtes vives ou des coins. Ne pas faire rouler l'appareil sur le cordon.

Garder le cordon à l'écart des surfaces chaudes.

Ne pas débrancher en tirant sur le cordon. Tirer plutôt la fiche.

Ne pas toucher la fiche ou l'appareil lorsque vos mains sont humides.

N'insérer aucun objet dans les ouvertures. Ne pas utiliser l'appareil lorsqu'une ouverture est bloquée. S'assurer que de la poussière, de la peluche, des cheveux ou d'autres matières ne réduisent pas le débit d'air.

Cette machine est destinée pour nettoyer le tapis seulement.

Ne pas aspirer de matières en combustion ou qui dégagent de la fumée, comme des cigarettes, des allumettes ou des cendres chaudes.

Cette machine **n'est pas** adaptée au ramassage de poussières dangereuses.

Mettre toutes les commandes à la position ARRÊT avant de débrancher l'appareil.

Ne pas aspirer des liquides inflammables ou combustibles, comme de l'essence, et ne pas faire fonctionner dans des endroits où peuvent se trouver de tels liquides.

L'entretien et les réparations de la machine **doivent être effectuées** par un personnel qualifié.

Si de la mousse ou du liquide sort de la machine, **la mettre hors tension immédiatement**.

## CONSERVER CES INSTRUCTIONS

## **Safety**

---

The following symbols are used throughout this guide as indicated in their descriptions:

### **HAZARD INTENSITY LEVEL**

There are three levels of hazard intensity identified by signal words **-WARNING** and **CAUTION** and **FOR SAFETY**. The level of hazard intensity is determined by the following definitions:



**WARNING** - Hazards or unsafe practices which **COULD** result in severe personal injury or death.



**CAUTION** - Hazards or unsafe practices which could result in minor personal injury or product or property damage.

### ***FOR SAFETY: To Identify actions which must be followed for safe operation of equipment.***

Report machine damage or faulty operation immediately. Do not use the machine if it is not in proper operating condition. Following is information that signals some potentially dangerous conditions to the operator or the equipment. Read this information carefully. Know when these conditions can exist. Locate all safety devices on the machine. Please take the necessary steps to train the machine operating personnel.

#### ***FOR SAFETY:***

**DO NOT OPERATE MACHINE:**

Unless Trained and Authorized.

Unless Operation Guide is Read and understood.

In Flammable or Explosive areas.

In areas with possible falling objects

#### ***WHEN SERVICING MACHINE:***

**Avoid moving parts. Do not wear loose clothing; jackets, shirts, or sleeves when working on the machine.**

**Use manufacturer approved replacement parts.**

Les symboles ci-dessous sont utilisés à travers ce manuel comme illustré dans leurs descriptions :

## NIVEAU D'INTENSITÉ DU DANGER

Il existe trois niveaux d'intensité du danger, identifiés par des termes d'avertissement - **AVERTISSEMENT**, **ATTENTION** et **POUR VOTRE SÉCURITÉ**. Le niveau d'intensité du danger est déterminé par les définitions suivantes :

### **AVERTISSEMENT:**

**AVERTISSEMENT** - Les dangers ou des pratiques contraires à la sécurité qui **POURRAIENT** entraîner des blessures personnelles ou la mort.

### **ATTENTION:**

**ATTENTION** - Les dangers ou des pratiques contraires à la sécurité qui pourraient entraîner des blessures personnelles légères ou des dégâts sur le produit ou d'autres biens.

### ***POUR DES RAISONS DE SÉCURITÉ : Pour identifier les actions qui doivent être exécutées pour un fonctionnement sûr de l'équipement.***

Signaler immédiatement tout dommage subi par la machine ou fonctionnement défectueux. Ne pas utiliser la machine si elle ne fonctionne pas correctement. Ci-dessous se trouvent les informations indiquant les conditions potentiellement dangereuses pour l'opérateur ou l'équipement. Lire attentivement ces informations. Être conscient que ces conditions peuvent survenir. Repérer tous les dispositifs de sécurité sur la machine. Suivre les étapes nécessaires de formation du personnel qui utilise la machine.

### ***POUR DES RAISONS DE SÉCURITÉ :***

**NE PAS FAIRE FONCTIONNER LA MACHINE :**

Sauf si le personnel est formé et autorisé.

Sauf si le manuel d'utilisation est lu et compris.

Dans des zones inflammables ou explosives.

Dans des zones contenant des objets susceptibles de tomber

### ***LORS DE L'ENTRETIEN DE LA MACHINE :***

Éviter les pièces mobiles. Ne pas porter de vêtements, vestes, chemises ou manches vagues lors de l'entretien de la machine. Utiliser les pièces de rechange approuvées par le fabricant.

## Safety

### Electrical

In the USA, this machine operates on a standard 15 amp 115V, 60 Hz, A.C. power circuit. The amp, hertz, and voltage are listed on the data label found on each machine. Using voltages above or below those indicated on the data label will cause serious damage to the motors.

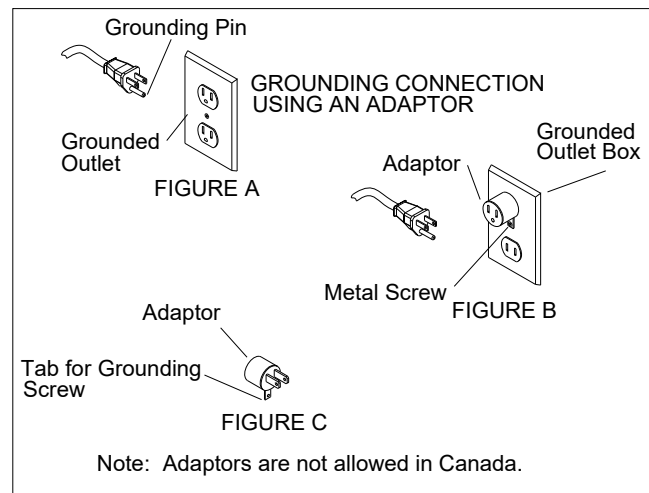
### Extension Cords

If an extension cord is used, the wire size must be at least one size larger than the power cord on the machine, and must be limited to 50 feet (15.5m) in length.

### Grounding Instructions

This appliance must be grounded. If it should malfunction or break down, grounding provides a path of least resistance for electric current to reduce the risk of electric shock. This appliance is equipped with a cord having an equipment-grounding conductor and grounding plug. The plug must be inserted into an appropriate outlet that is properly installed and grounded in accordance with all local codes and ordinances.

This appliance is for use on a nominal 120-volt circuit, and has a grounded plug that looks like the plug in "Fig. A". A temporary adapter that looks like the adapter in "Fig. C" may be used to connect this plug to a 2-pole receptacle as shown in "Fig. B", if a properly grounded outlet is not available. The temporary adapter should be used only until a properly grounded outlet (Fig. A) can be installed by a qualified electrician. The green colored rigid ear, lug, or wire extending from the adapter must be connected to a permanent ground such as a properly grounded outlet box cover. Whenever the adapter is used, it must be held in place by a metal screw.



## ⚠ WARNING:

**Improper connection of the equipment-grounding conductor can result in a risk of electric shock. Check with a qualified electrician or service person if you are in doubt as to whether the outlet is properly grounded. Do not modify the plug provided with the appliance - if it will not fit the outlet; have a proper outlet installed by a qualified electrician.**

## ⚠ AVERTISSEMENT:

**Le raccordement incorrect du conducteur de terre d'équipement peut entraîner des risques d'électrocution. Vérifiez auprès d'un électricien qualifié ou d'un responsable de l'entretien si vous avez quelque doute que ce soit quant au raccordement à la terre de votre prise murale. Ne modifiez pas la fiche fournie avec l'appareil : si elle ne correspond pas à la prise murale, faites installer une prise adéquate par un électricien qualifié. Utilisez-le uniquement sur des réceptacles protégés GFCI.**

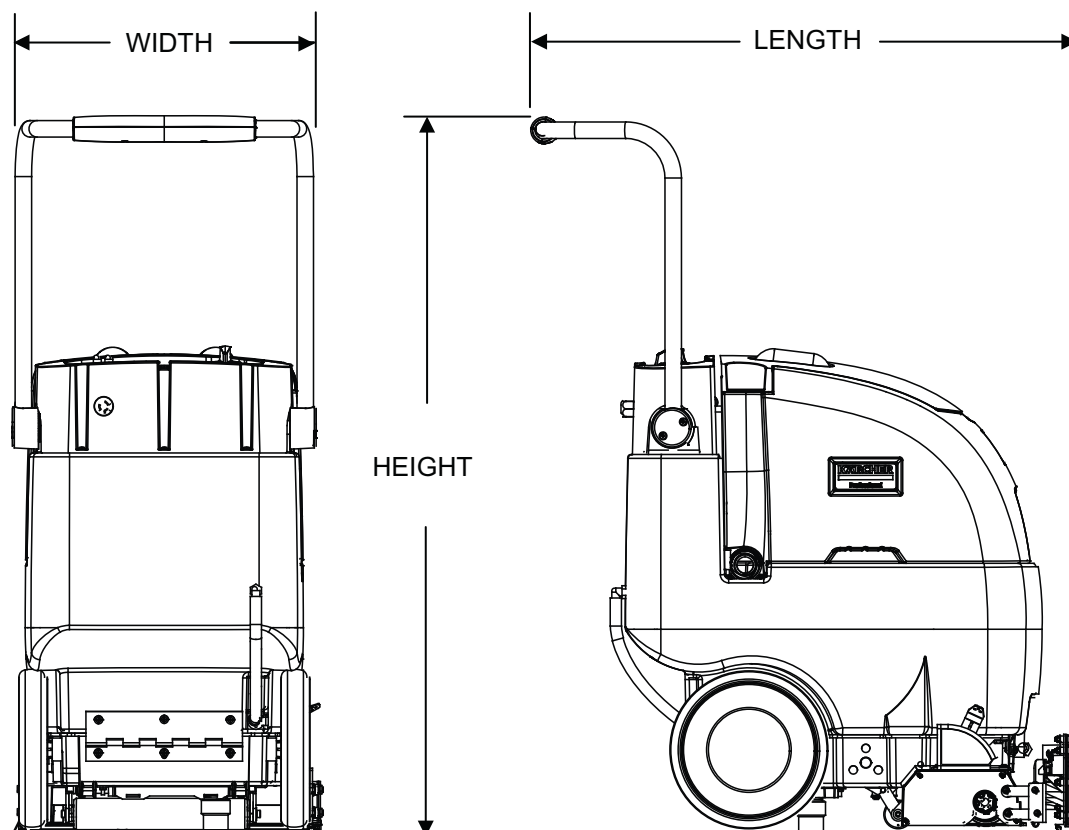


## Operations

### Technical Specifications

ITEM	MEASURE	
	1.008-160.0 - Admiral X	1.008-161.0 - Admiral XL
Model	1.008-160.0 - Admiral X	1.008-161.0 - Admiral XL
Weight	108 lbs (49 kg)	126 lbs (57.2 kg)
Length	33 inches (83.8 cm)	33 inches (83.8 cm)
Height	42.5 inches (107.9 cm)	45 inches (114.3 cm)
Width	19.5 inches (49.5 cm)	22 inches (55.9 cm)
Wheels	2x 10 inch dia. (25 cm) wheels by 2 inches	2x 10 inch dia. (25 cm) wheels by 2 inches
Solution Spray	4 Quick Change Jets	4 Quick Change Jets
Power Cable	50 ft (12.7 m) (14 gauge)	50 ft (12.7 m) (14 gauge)
Vacuum Shoe	16 inches injection molded plastic with spring loaded down pressure	18 inches injection molded plastic with spring loaded down pressure
Electrical	115V, 15 A, 60 Hz	115V, 15 A, 60 Hz
Electrical Vacuum Motor	3 stage, 1 hp, 99 cfm (2.80 cubic meters/min.), Waterlift 117 inches (297 cm)	3 stage, 1 hp, 99 cfm (2.80 cubic meters/min.), Waterlift 117 inches (297 cm)
Brush	16 inches (40.64 cm)	18 inches (45.7 cm)
Brush Speed	1000 rpm	1000 rpm
Solution Pump	100 PSI, Diaphragm style, Internal bypass	100 PSI, Diaphragm style, Internal bypass
Solution Capacity	9 gallons (34.07 ltr)	12 gallons (45.5 ltr)
Recovery Capacity	6.5 gallons (24.61 ltr)	9.25 gallons (35.01 ltr)

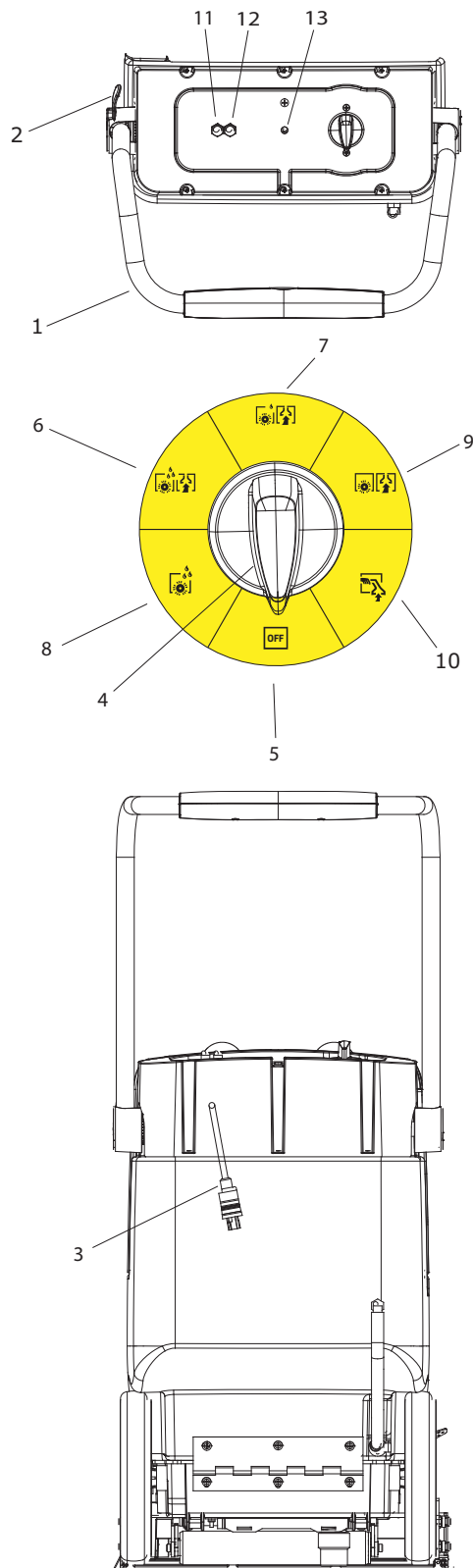


**⚠ CAUTION:**

This appliance is not intended for use by persons (including children) with reduced physical, sensory or mental capabilities, or lack of experience and knowledge, unless they have been given supervision or instruction concerning use of the appliance by a person responsible for their safety. Children should be supervised to ensure that they do not play with the appliance.

**⚠ ATTENTION:**

Cet appareil n'est pas prévu à l'usage des personnes (enfants y compris) avec des possibilités physiques, sensorielles ou mentales réduites, ou le manque d'expérience et de connaissance, à moins qu'ils aient été donnés la surveillance ou l'instruction au sujet de l'utilisation de l'appareil par une personne chargée de leur sûreté. Des enfants devraient être dirigés pour s'assurer qu'ils ne jouent pas avec l'appareil.

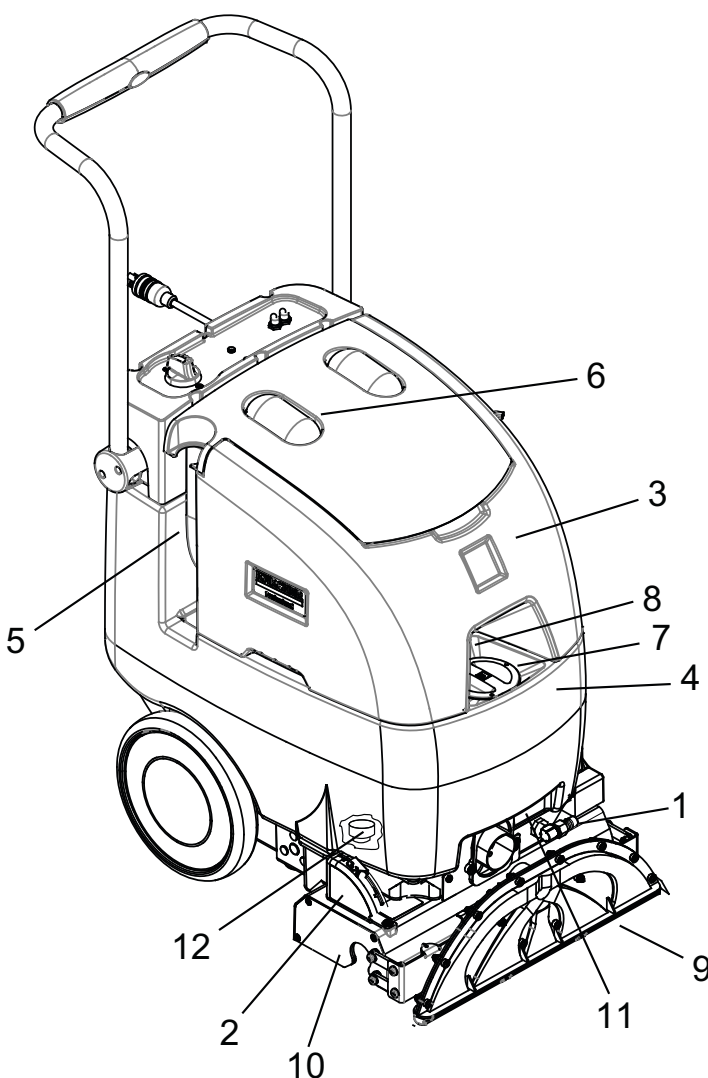


## Controls Locations

1. **Main Handle:** Used to pull and maneuver machine.
2. **Handle Adjustment:** Used to adjust height of handle.
3. **Electrical Cord.**
4. **Rotary Mode Switch:**
5. **Off:** Turns machine off
6. **Deep Extract:** This mode is used for deep carpet extraction. The pump, vacuum motor, and brush motor will all turn on. When the trigger is pressed, the deep extract solenoid will open and solution will dispense at the maximum volume.
7. **Eco! Mode (Low Moisture):** This mode is used to improve runtime and efficiency. The pump, vacuum motor, and brush motor will all turn on. When the trigger is pressed, the low moisture solenoid will open and solution will dispense at a reduced volume.
8. **Double Scrub:** This mode is used to spot clean heavily soiled areas. The pump and brush motor will turn on. There will be no vacuum or recovery in this mode. When the trigger is pressed, the deep extract solenoid will open and solution will dispense at maximum volume.
9. **Vac Only:** This mode is used for solution recovery. The vacuum motor and brush motor will turn on. There will be no solution flow in this mode even when the trigger is pressed.
10. **Accessory Tool:** This mode is used for upholstery cleaning. The pump and vacuum motor will turn on. When the trigger on the accessory wand is pressed solution will flow.
11. **Brush Motor Circuit Breaker.** 6 amp. Breaker protecting brush motor.
12. **Vacuum Motor Circuit Breaker.** 15 amp. Breaker protecting vacuum motor.
13. **Smart Speed Indicator Light:** Provides cleaning speed feedback to the user to ensure optimal cleaning. The light is only activated in modes that the pump is on. The light will stay solid green when the machine is operated at optimum speed. If the machine is operated too slow, the light will slowly flash red. If the machine is operated too fast, the light will quickly flash red.

**Components**

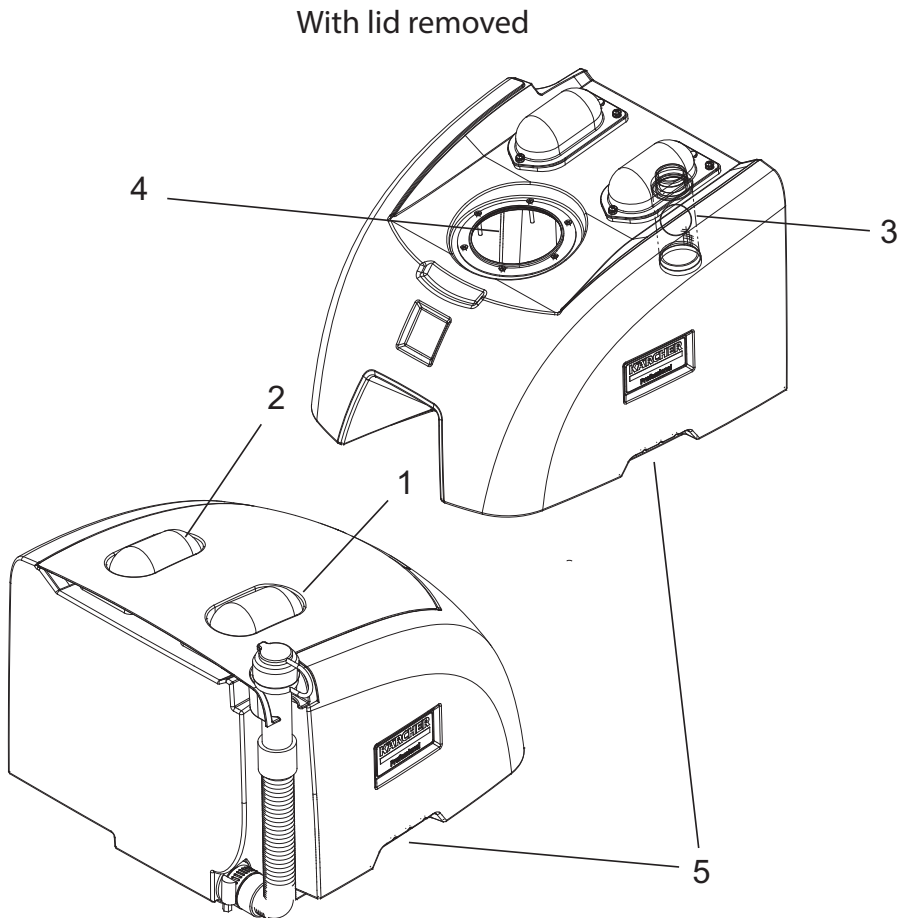
1. **Solution Accessory Tool Hookup.** Used for various auxiliary cleaning tools.
2. **Brush Height Adjustment.** Used to regulate brush height from storage position to high pile and low pile carpet heights.
3. **Recovery Tank.** Used to collect dirty cleaning solution.
4. **Solution Tank.** Used to hold cleaning solution.
5. **Solution Dump Hose.** Facilitates draining excess cleaning solution from solution tank.
6. **Recovery Tank Dome.**
7. **Solution Tank Lid.**
8. **Solution Tank Fill Hose.**
9. **Vacuum Shoe.**
10. **Brush Housing.**
11. **Front Lifting Handle.**
12. **Cleaning Solution Filter.**
13. **Recovery Dump Hose.** Facilitates draining dirty cleaning solution.

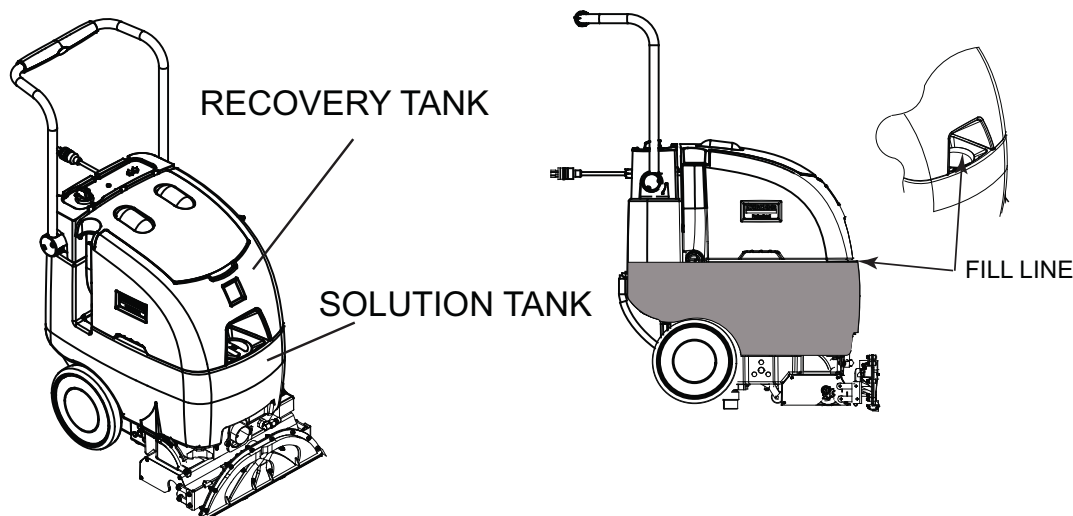


## Operations

### Components - Recovery Tank

1. Solution Intake Cover.
2. Vacuum Intake Cover.
3. Float Shut-Off.
4. Clean-Out Opening.
5. Lift Handle.





**Filling the Admiral X / Admiral XL**

*NOTE: Use clean bucket of water to fill solution tank.*

**⚠ CAUTION:**

Do not put defoamer, solvents, spotter or prespray chemicals in the solution tank.

Do not allow water to spill into vacuum motor inlet. Dry spillage from top of solution tank before replacing recovery tank.

**⚠ ATTENTION:**

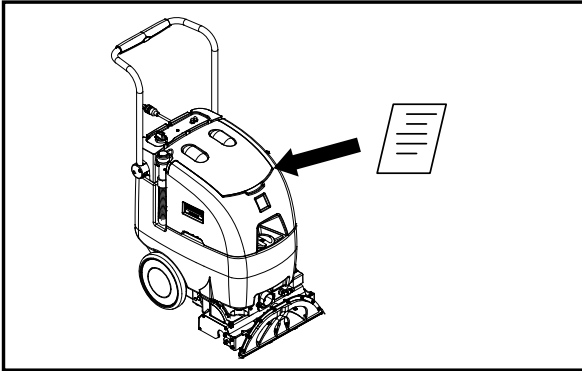
Ne pas mettre d'antimousse, de solvants, de détacheur ou de produits chimiques de prépulvérisation dans le réservoir à solution.

Ne pas laisser l'eau se déverser dans l'entrée du moteur de l'aspirateur. Essayer tout écoulement dans le haut du réservoir à solution avant de remettre le réservoir de récupération en place.

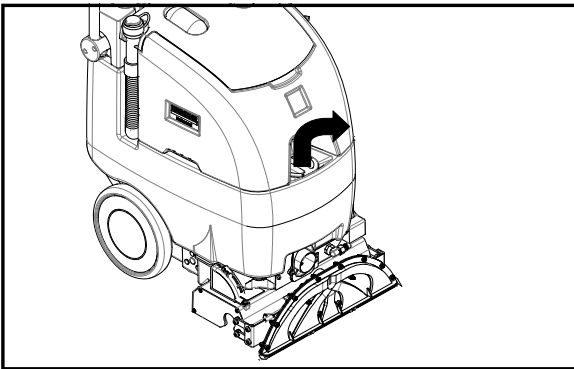
Suitable Chemicals	Non-Compatible Chemicals
Alkalis	Aldehydes
Detergents	Aromatic Hydrocarbons
Hydroxides	SP Butyls
Soaps	Carbon Tetrachloride
Vinegar	Clorox*
	Chlorinated Bleaches
	Chlorinated Hydrocarbons
	Lysol*
	Methyl Ethel Ketone (MEK)
	Perchorethylene (perc)
	Phenolics
	Trichlorethylene
	D-Limonene

\* Product Trademark Names

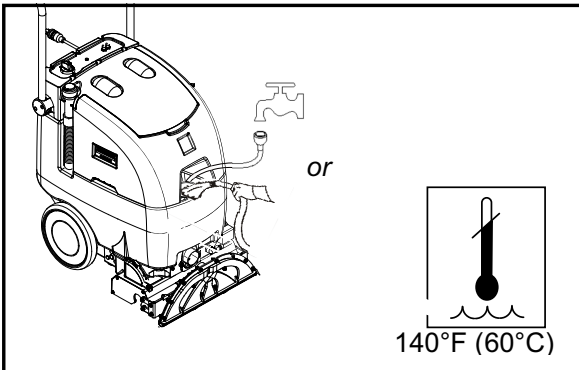
## Operations



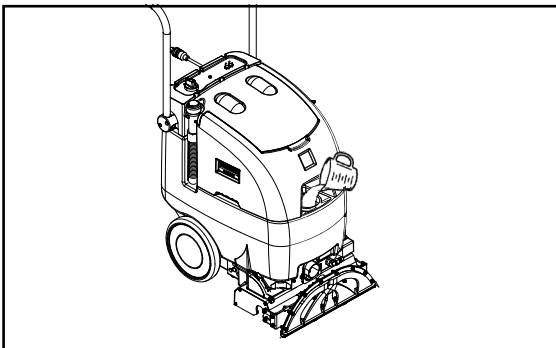
1. Remove electrical cord and literature from recovery tank.



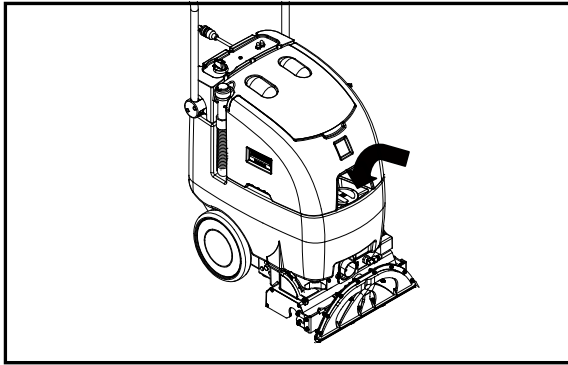
2. Remove solution tank lid.



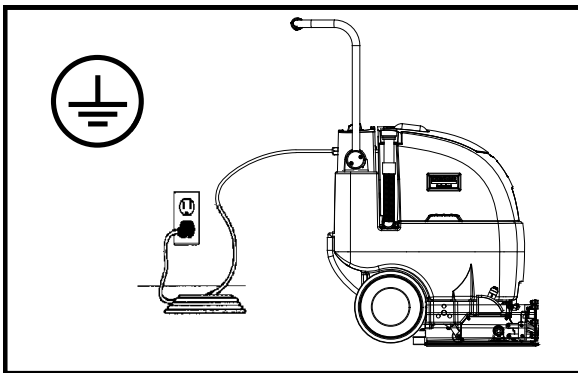
3. Fill the solution tank with 9 gallons (34.1 ltr) of water for Admiral X or 12 gallons (45.5 ltr) of water for Admiral XL, that is no more than 140°F (60°C).



4. Add 9-18 oz (266-532 ml) of cleaning chemical for the Admiral X.  
Add 12-24 oz (356-711 ml) of cleaning chemical for the Admiral XL.

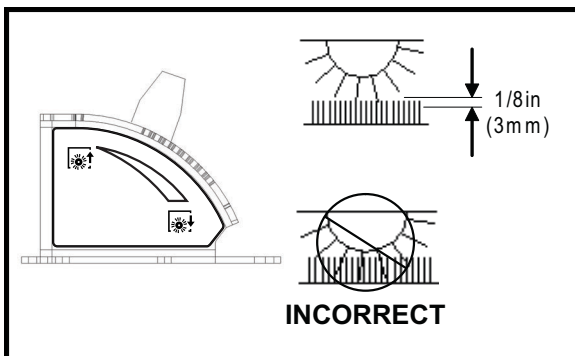


5. Replace solution tank lid.



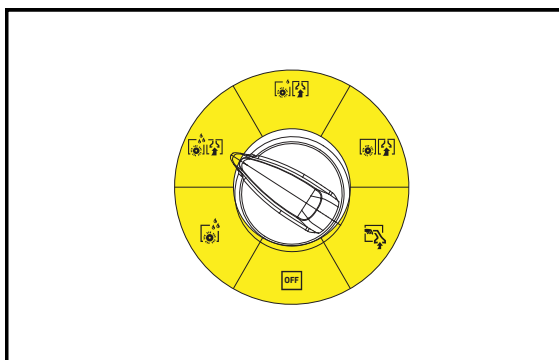
### Machine Operation

1. Plug cord into grounded outlet.



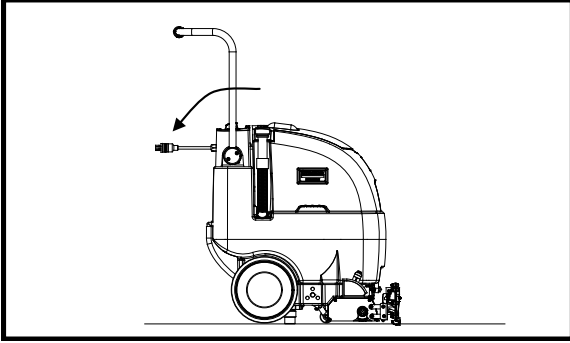
2. Adjust brush to proper height setting for low or high pile carpet type.

*NOTE: For good operation the brush must skim the carpet. If circuit breaker trips raise brush to prevent damage to motor or carpet.*

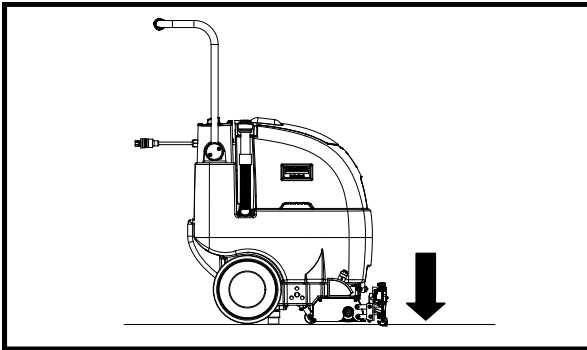


3. Turn rotary switch to 'Deep Extract' mode with brush, vacuum, and pump all on.

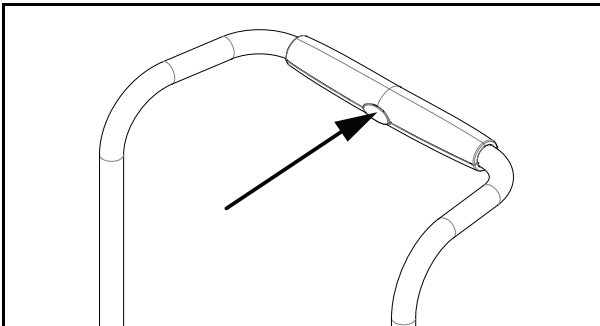
## Operations



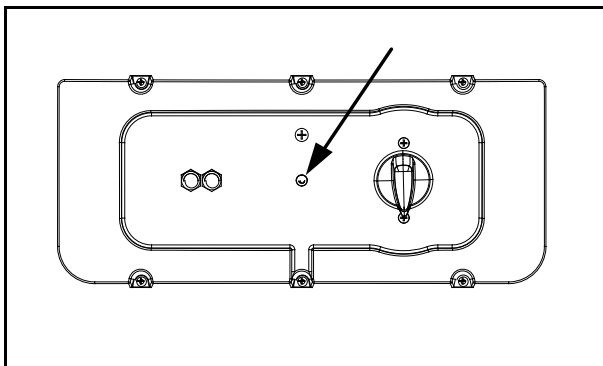
4. Adjust handle to comfortable operating position. Tip machine back by main handle to move to starting point.



5. Lower machine to floor.



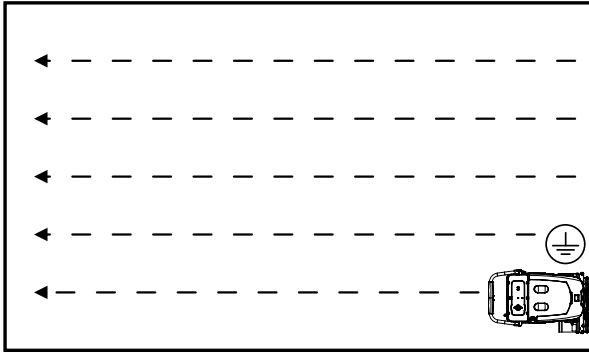
6. To start the flow of water, the operator needs to press and hold the switch on the handle.



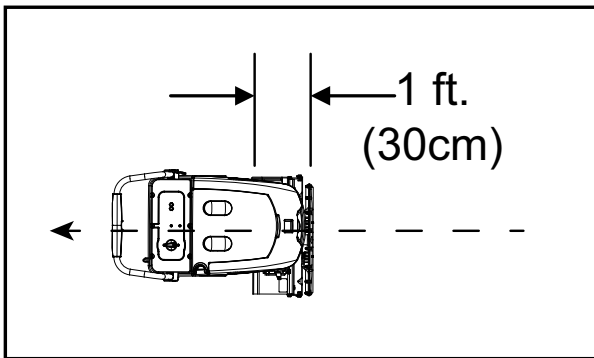
7. While cleaning, the Smart Speed indicator light will provide feedback to the user to ensure optimal cleaning. The light is only activated in modes that the pump is on. At the start of a cleaning pass, the Smart Speed indicator light will turn on. The light will stay solid green when the machine is operated at optimum speed. If the machine is operated too slow, the light will slowly flash red. If the machine is operated too fast, the light will quickly flash red. Cleaning speed should be adjusted accordingly to ensure optimal cleaning is being achieved.



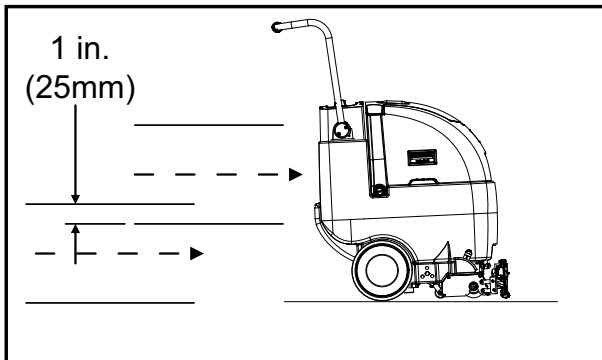
### Cleaning Procedure



1. Start at wall closest to power outlet. For small areas, pull straight back without pushing down on handle.



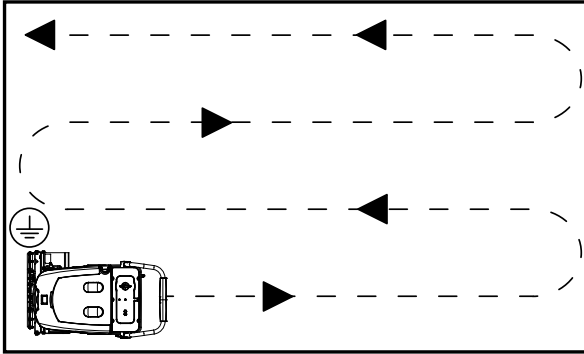
2. Release trigger switches approximately 1 foot before ending cleaning pass.



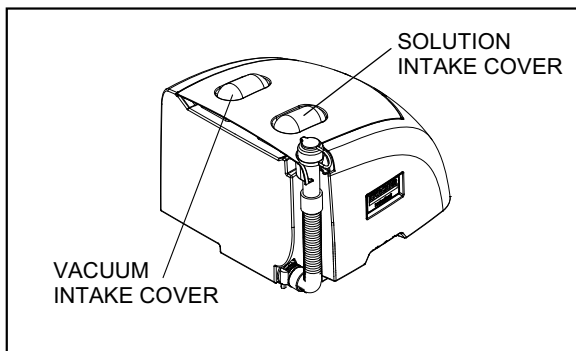
3. Push down on handle to raise vacuum shoe and brush before moving to the next cleaning pass. Overlap brush contact area approximately 1 inch.

## Operations

### Cleaning Procedure - continued



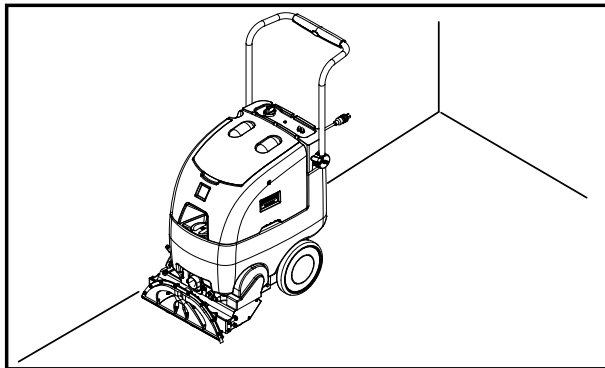
4. Start at wall closest to power outlet. For large areas, operate machine in parallel passes, overlapping brush path. Clean perimeter last.



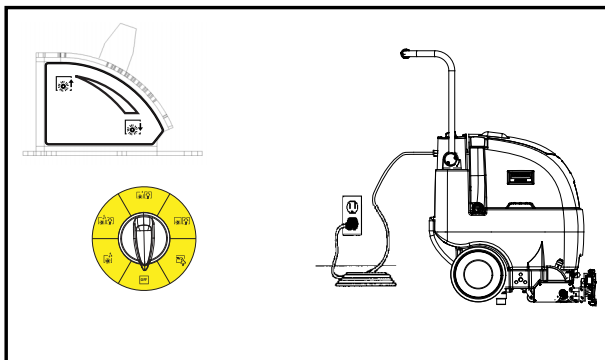
5. During operation, observe the following: The Admiral is equipped with clear internal covers to facilitate operator viewing of dirty solution and vacuum air flow. During operation, observe the vacuum intake cover. Large amounts of water or foam entering the vacuum system can damage the vacuum motor.

*NOTE: If you notice either condition, shut down the machine immediately.*

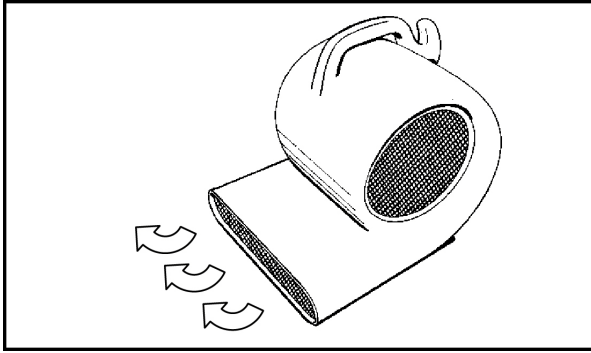
Empty recovery tank and/or add defoamer to recovery tank.



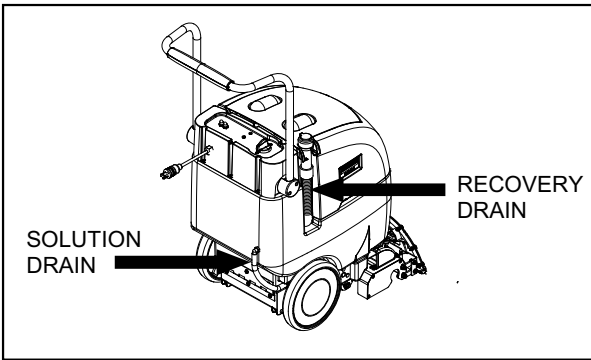
6. Use right side of machine for cleaning against walls.



7. After cleaning, turn rotary switch to off position, return brush to storage position and carefully unplug machine.



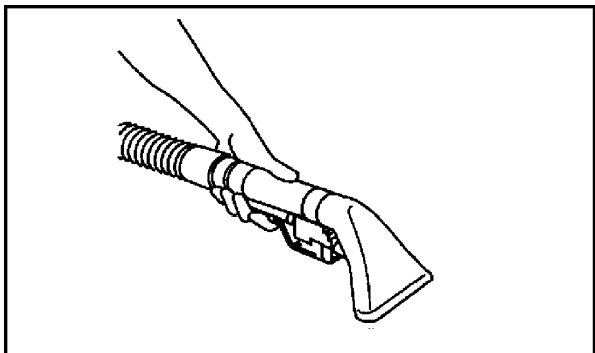
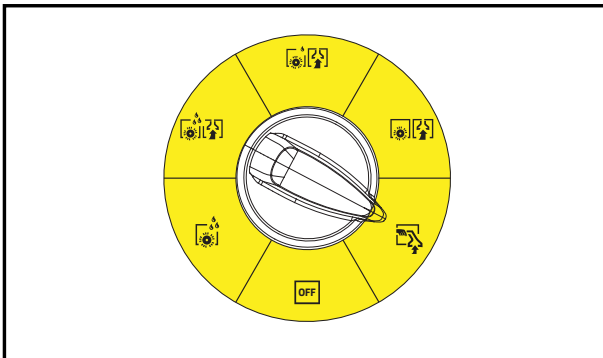
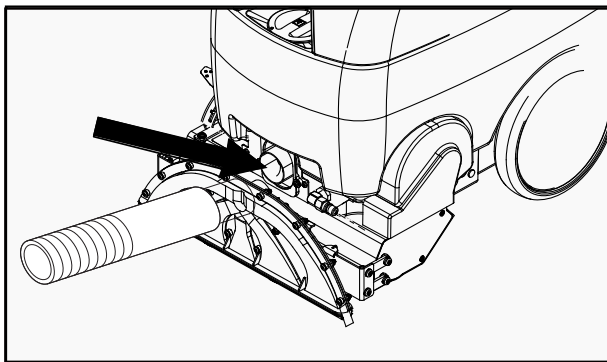
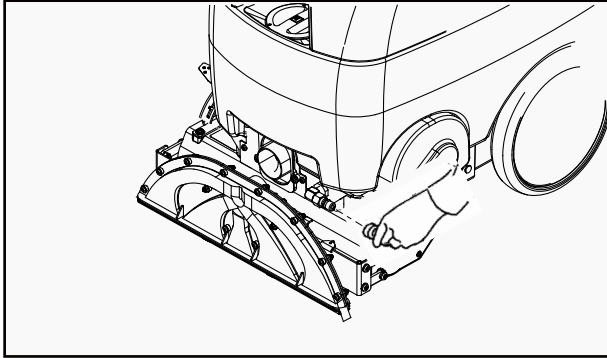
8. To speed drying, use an air mover fan.



9. Empty recovery tank by releasing dump hose. Use a hose with cold water to clean out the recovery tank. Drain solution tank after each use.

## Operations

### Accessory Tool Usage



Use only one of the following acceptable accessory tools.

8.600-061.0 - STANDARD WAND

8.600-060.0 - DELUXE PROFESSIONAL WAND

8.603-154.0 - HOSE ASM, CST HANDTOOL U19821

1. Pull back collar and insert over machine mounted fitting, then release collar to lock into place.

2. Disconnect hose from vacuum shoe and insert 1 1/2 inch hose cuff into machine hose cuff.

3. Turn rotary switch to Accessory mode.

*NOTE: Be sure brush is in storage position.*

4. Squeeze handle on accessory tool to begin cleaning.

**Service Schedule**

<b>Maintenance</b>	<b>Daily</b>	<b>Weekly</b>	<b>Quarterly</b>
Check machine for cord damage.	*		
Check recovery dome and gasket for damage and cleanliness.	*		
Check brush - should be clean with no lint or strings attached.	*		
Inspect vacuum shoe for blockage. Remove fibers or debris by flushing the vacuum shoe under a faucet; separating the vacuum shoe in half for larger debris.	*		
Check hoses for wear, blockages, or damage.	*		
Check handles, switches, and knobs for damage.	*		
Check vacuum motor intake filter and clean.	*		
Run one gallon of water through system.	*		
Clean out recovery tank and check float valve to make sure it moves freely.	*		
Clean out solution tank and remove and clean vacuum intake screen.	*		
Clean outside of all tanks and check for damage.	*		
Run vacuum motor for at least one minute to allow motor to dry.	*		
Store with dome off tank to allow the tank to dry.	*		
Clean off any debris from rotary encoder and magnet holder	*		
Check all bearings for noise		*	
Check all gaskets for wear and leakage		*	
Check vacuum intake screen for damage; replace if necessary.		*	
Check pump pressure; observe spray pattern and check with gauge if necessary		*	
Check and clean solution screen.		*	
Check belts for wear and replace as necessary.		*	
Check brush for wear; ensure bristles are not damaged.		*	
Check cables for fraying.		*	
Check the spray bar (manifold) for damage; replace if broken or bent.		*	
Check condition of vacuum shoe and frame for damage.		*	
Check overall performance of machine.		*	
Check vacuum motor carbon brushes.			*

## **Maintenance**

### **Periodic Maintenance**

Twice a month, flush a white vinegar solution (One quart vinegar to two gallons of water) or anti-browning solution (mixed as directed) through the extractor. This will prevent build-up of alkaline residue in the system. If spray jets become clogged, remove the spray tips, wash them thoroughly, and blow-dry.

*NOTE: Do not use pins, wire, etc. to clean nozzles as this could destroy spray pattern.*

Periodically inspect all hoses, electrical cables and connections on your machine. Frayed or cracked hoses should be repaired or replaced to eliminate vacuum or solution pressure loss. If the cable insulation is broken or frayed, repair or replace it immediately. Don't take chances with electrical fire or shock.

### **Daily / Regular Maintenance**

Before making any adjustments or repairs to the machine, disconnect the power cord from electrical source.

1. Empty unused cleaning solution from the solution tank. Solution drain hose can be found on the back right of the machine from the operators position.
2. Inspect and clean filter screen in solution tank.
3. Flush pumping system with 4 or 7 liters of clean, hot water.
4. After each use, rinse tank with fresh water. Periodically inspect the recovery tank and decontaminate if necessary, using a Hospital Grade Virucide or a 1-10 bleach to water solution. Waste water should be disposed of properly.
5. Check for and remove any lint or debris around vac shoe.
6. Check spray jets for full spray pattern.
7. Remove lint and dirt build-up from brush and housing.

*NOTE: Brush removal.*

- a. Disconnect all power.
- b. Drain recovery tank.
- c. Tip the machine back
- d. Push in on the brush end cap and then downward.

- e. The brush assembly and end cap should drop down. Then pull the brush down far enough to clear the bottom of the housing
  - f. Pull brush out with a rocking motion to free brush from drive hub.
  - g. Check brush roller for wear, and replace when the brush is no longer able to keep the front of the deck from touching the ground.
  - h. Check to see if the end cap and bearing spin freely and smoothly. Clean and replace if necessary.
8. Check cooling air screen (located on frame behind left wheel) for lint or debris.
  9. Check float and shut-off screen and clean as necessary.
  10. Check ends of roller for debris and clean as necessary.
  11. Remove lint and dirt build up from the vacuum shoe. Flush vacuum shoe as needed by pouring clean water through the vacuum shoe.

*NOTE: Vacuum shoe removal:*

*a. To remove the vacuum shoe, lift both of the release levers on the back of the vacuum shoe and pull straight off the machine. Disconnect the recovery hose from the vacuum shoe.*

*b. To install the vacuum shoe, attach recovery hose to the vacuum shoe. Align the post on the vacuum shoe bracket with the corresponding pocket on the vacuum shoe. Push the vacuum shoe onto the post until the levers on the vacuum shoe secure to the vacuum shoe bracket. Verify the vacuum shoe is properly attached by gently pulling against the vacuum shoe and ensuring it does not come off.*

*NOTE: Always store machine with brush in "Store" position.*

## Vacuum Motor Replacement

### **⚠ WARNING:**

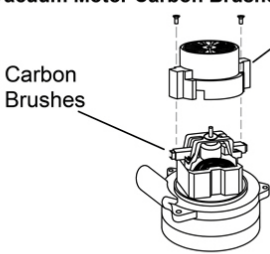
Only qualified maintenance personnel are to perform the following repairs.

### **⚠ AVERTISSEMENT:**

Seul le personnel d'entretien qualifié peut effectuer des réparations.

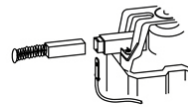
1. Turn off all switches and unplug machine.
2. Remove recovery tank.
3. Remove the (2) screws that fasten the solution tank to the frame, and tilt tank back to expose the inside of the frame.
4. Locate the vacuum motor wires and disconnect at the connector. Close the solution tank.
5. Remove the (6) screws holding the vacuum motor cover to the solution tank.
6. Remove the vacuum motor.
7. Reverse process to install vacuum motor.

**Vacuum Motor Carbon Brushes Replacement**

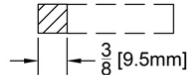


**WARNING:**  
The green ground wire must be attached for safe operation. see wiring diagram.

If armature commutator is grooved, extremely pitted or not concentric, the motor will need to be replaced or sent to a qualified service center.



**Important:**  
These brushes wear quicker as the length shortens due to increased heat. Spring inside brush housing will damage motor if brushes are allowed to wear away completely.



Periodically check the length of the carbon brushes. Replace both carbon brushes when either is less than 3/8" (9.5mm) long.

## Maintenance

### Belt Replacement

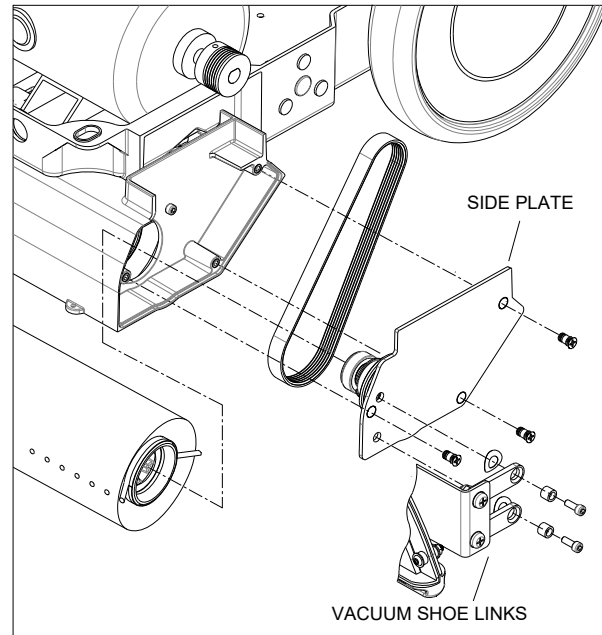
#### **⚠ WARNING:**

Only qualified maintenance personnel are to perform the following repairs.

#### **⚠ AVERTISSEMENT:**

Seul le personnel d'entretien qualifié peut effectuer des réparations.

1. Turn off all switches and unplug machine.
2. Remove recovery tank and brush.
3. Remove the (2) screws that fasten the solution tank to the frame, and tilt tank back to expose the inside of the frame.
4. Loosen the (4) screws that hold the brush motor in place and slide motor forward to release tension in belt.
5. Remove the (2) screws that fasten the vacuum shoe links to the brush housing.
6. Remove the (3) screws that fasten the side plate to the brush housing to remove belt.
7. Reverse process to install belt.





## Solution Pump Replacement

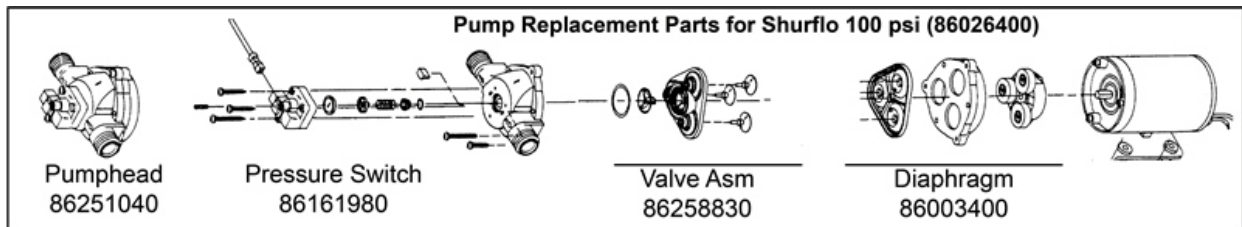
### **⚠ WARNING:**

Only qualified maintenance personnel are to perform the following repairs.

### **⚠ AVERTISSEMENT:**

Seul le personnel d'entretien qualifié peut effectuer des réparations.

1. Turn off all switches and unplug the machine.
2. Remove recovery tank.
3. Remove the (2) screws that fasten the solution tank to the frame, and tilt tank back to expose the inside of the frame.
4. Remove solution hoses from fittings in pump.
5. Remove the (2) screws that fasten the pump to the frame.
6. Reverse process to install pump.



## Maintenance

### Troubleshooting

PROBLEM	CAUSE	SOLUTION
No Power, Nothing Runs	Is the cord plugged in.	Plug in cord.
	Circuit breaker tripped in building.	Reset breaker.
	Faulty switch.	Call for service.
	Faulty power cord or pigtail.	Call for service.
Vacuum Motor Will Not Run.	Vacuum circuit breaker tripped.	Reset breaker.
	Faulty main vacuum switch.	Call for service.
	Loose wiring.	Call for service.
	Faulty vac motor.	Call for service.
Vacuum Motor Runs But Suction Is Poor	Debris lodged in vac shoe.	Remove debris from vac shoe.
	Dome gasket defective or missing.	Replace as necessary.
	Vacuum hose cracked or hose cuff loose.	Replace or repair as necessary.
	Recovery tank full / float ball stuck in the up position.	Turn off vac motor. Drain and rinse recovery tank.
Poor Or No Water Flow (Carpet Is Streaky)	Main pump switch off.	Turn on.
	Jets clogged or missing.	Clean using a vinegar /water solution or replace.
	Solution filter clogged.	Drain solution tank and clean solution filter.
	Faulty solenoid.	Call for service.
Brush Does Not Spin	Brush switch off.	Turn on brush switch.
	Brush circuit breaker tripped.	Reset circuit breaker.
	Brush belt broken.	Replace as necessary.
	Faulty brush motor.	Call for service.

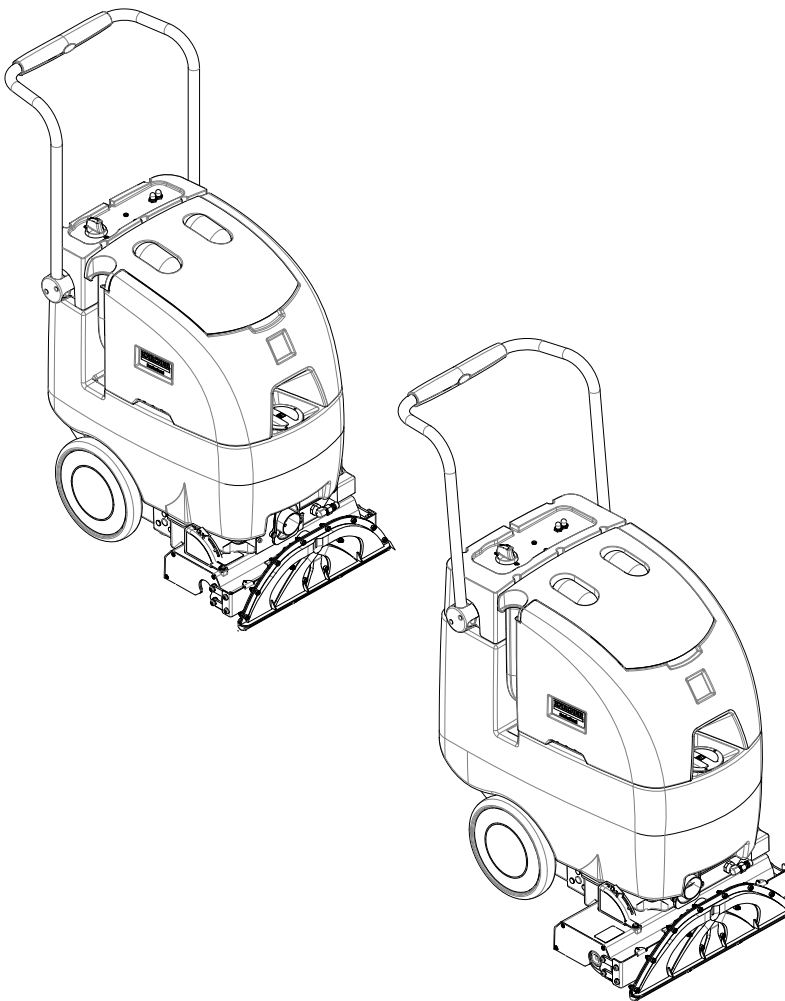
<b>PART NO.</b>	<b>DESCRIPTION</b>	<b>SERIAL #</b>	<b>NOTES</b>
86001100	BELT, 180J6 MICRO-V		Brush Assembly
86004570	JET BODY, MINI PROMAX BODY		Pump
86241680	JET, MINI PROMAX 9503		Pump
86012550	JET, PROMAX, 11001		Pump
86003630	FLOAT, SHUT-OFF		Recovery Tank
86397190	DOM, CLEAR RECOVERY		Recovery Tank
86007970	STRAINER, 3/8 IN. NPT 60 MESH		Solution Tank
86135320	BRUSH SET, 120V VAC, WINDSOR		Solution Tank



## Admiral X Admiral XL

Español

02



Del número de serie (Ref No1\*)

\*Consulte la página del número de serie en  
repuesto Lista de piezas o llame al fabricante.



## Registro De Datos De La Máquina

Modelo: \_\_\_\_\_

Fecha de la compra: \_\_\_\_\_

Número de serie: \_\_\_\_\_

Distribuidor: \_\_\_\_\_

Dirección: \_\_\_\_\_

Nº de teléfono: \_\_\_\_\_

Representante de ventas: \_\_\_\_\_

### Descripción

Este extractor de alfombras es un extractor de alfombras portátil eléctrico destinado para uso comercial. El rocía una solución limpiadora sobre la alfombra, agita la alfombra húmeda y luego extrae la suciedad. en el tanque de recuperación de la unidad. El aparato está equipado con una herramienta de mano para limpiar la tapicería y escaleras

**MODELOS: 1.008-160.0 Admiral X, BRC 40/34**  
**1.008-161.0 Admiral XL, BRC 45/45**

### Registro de Garantía

Gracias por comprar un producto de Kärcher North America. El registro de la garantía es rápido y fácil. Su registro permitirá que le sirvamos mejor sobre el curso de la vida del producto. Para colocar su producto vaya:

<https://www.kaercher.com/us/support/professional-services/professional-warranty-registration.html>

Para el servicio de atención al cliente llame al:

1-800-444-7654

**KÄRCHER**

Registro De Datos De La Máquina . . . . .	2
Índice . . . . .	3
Cómo Utilizar El Manual . . . . .	4

### **Seguridad**

Ubicación De Etiquetas De Seguridad . . . . .	5
INSTRUCCIONES DE SEGURIDAD IMPORTANTES	
6	
NIVEL DE INTENSIDAD DE RIESGO . . . . .	7
Eléctrico: . . . . .	8
Instrucciones Para Conectar El Equipo A Tierra: . .	8

### **Operaciones**

Especificaciones Técnicas . . . . .	10
Controles . . . . .	12
Componentes . . . . .	13
Componentes - Tanque de Recuperación . . . . .	14
Llenando el Almirante X / Almirante XL . . . . .	15
Máquina de Operación . . . . .	17
Procedimiento de Limpieza . . . . .	19
Uso de Herramientas Accesorias . . . . .	22

### **Mantenimiento**

Horario de Servicio . . . . .	23
Mantenimiento Periódico . . . . .	24
Mantenimiento Diario / Regular . . . . .	24
Sustitución del Motor de Aspiración . . . . .	25
Sustitución de la Correa . . . . .	26
Sustitución de la Bomba de Solución . . . . .	27
Solución de Problemas . . . . .	30
Repuestos Sugeridos . . . . .	31

## Cómo Utilizar El Manual

El manual contiene las siguientes secciones:

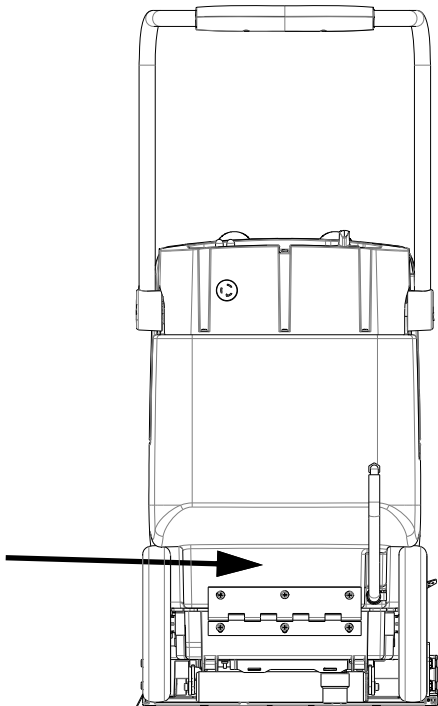
- Cómo Utilizar El Manual
- Seguridad
- Operaciones
- Mantenimiento
- Repuestos Sugeridos

La sección CÓMO UTILIZAR EL MANUAL le indica el modo de encontrar información importante para pedir las piezas de recambio correctas.

Las piezas deben ser solicitadas a distribuidores autorizados de Windsor. Al realizar el pedido de piezas, es importante saber el modelo y el número de serie de la máquina. Consulte el cuadro DATOS DE LA MÁQUINA que se completa durante la instalación de la máquina. El cuadro DATOS DE LA MÁQUINA está situado en la parte interior de la cubierta frontal de este manual.

Model: _____
Date of Purchase: _____
Serial Number: _____
Dealer: _____
Address: _____
Phone Number: _____
Sales Representative: _____

El modelo y el número de serie de su máquina está en el fondo back-end de la máquina.



La sección SEGURIDAD contiene información importante acerca de los usos de la máquina que pueden resultar peligrosos o poco seguros. Se identifican los niveles de riesgo que podrían derivar en lesiones personales o daños al producto, o en lesiones graves que den como resultado la muerte.

El objetivo de la sección FUNCIONAMIENTO es familiarizar al operario con el manejo y el funcionamiento de la máquina.

La sección MANTENIMIENTO incluye instrucciones sobre mantenimiento preventivo para mantener la máquina y sus componentes en buenas condiciones de funcionamiento. Están clasificadas en el siguiente orden general:

- Baterías
- Cepillo para fregar
- Escobilla de goma
- Programación del mantenimiento
- Resolución de problemas

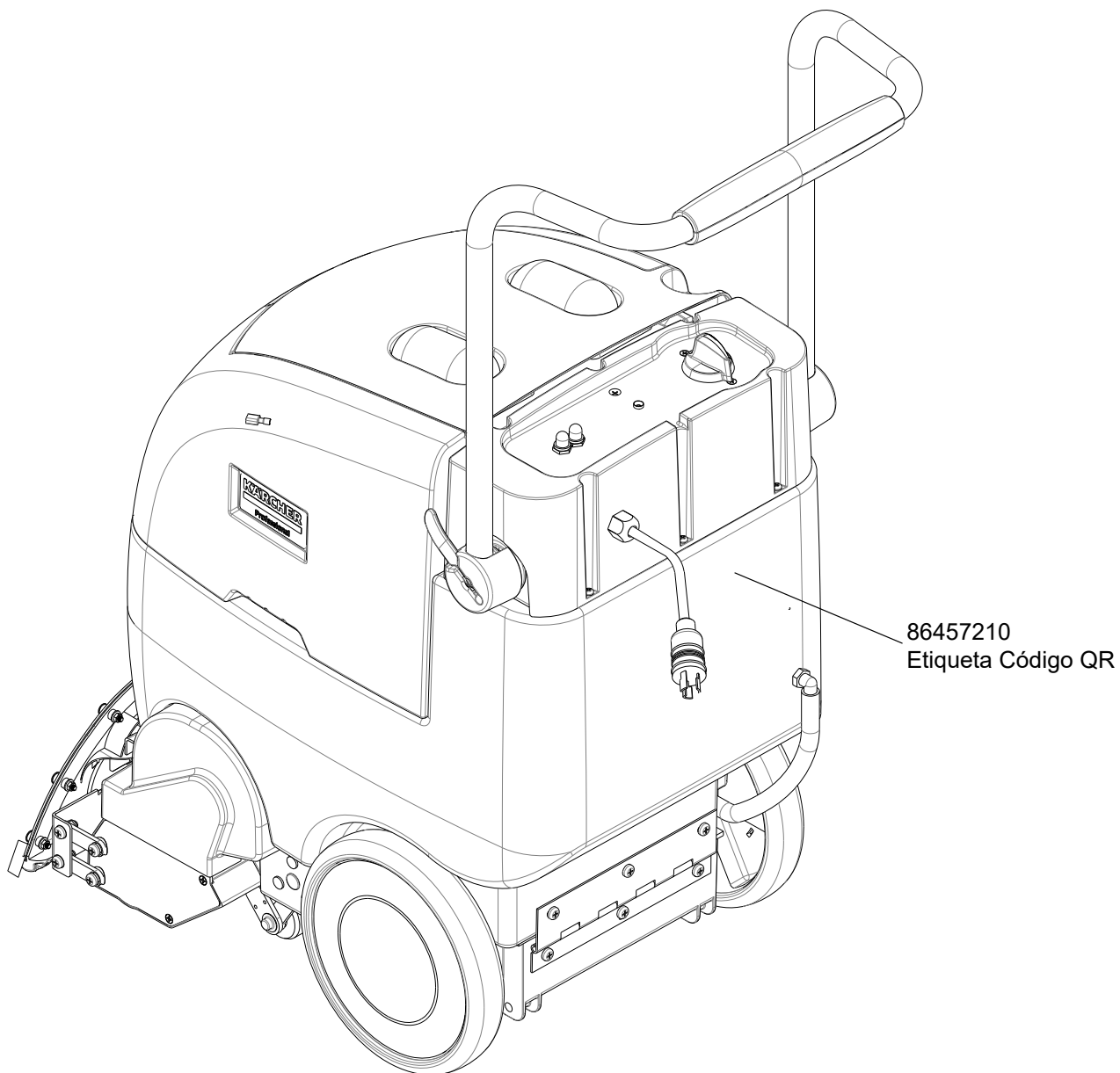
*NOTA: Si en la máquina se incluye un juego de servicio u opciones, asegúrese de conservar las INSTRUCCIONES DEL JUEGO que acompañan al mismo. Éste contiene los números de piezas de recambio necesarios para solicitar piezas en el futuro.*

*NOTA: El número situado en la esquina inferior derecha de la tapa, es el número de pieza correspondiente a este manual.*



## Ubicación De Etiquetas De Seguridad

Los dibujos indican la ubicación de las etiquetas de seguridad en la máquina. Si en un momento dado no se pueden leer, reemplácelas con rapidez.



# INSTRUCCIONES DE SEGURIDAD IMPORTANTES

**Al usar un aparato eléctrico, siempre se deben seguir precauciones básicas, que incluyen las siguientes:**  
**LEA TODAS LAS INSTRUCCIONES ANTES DE UTILIZAR LA MÁQUINA.**  
**Esta máquina está diseñada para uso comercial.**

## **⚠ ADVERTENCIA:**

**Para reducir el riesgo de incendio, descargas eléctricas y lesiones:**

Conecte a una **toma adecuadamente puesta a tierra**. Consulte las instrucciones de puesta a tierra.

**No** deje la máquina sin vigilancia. Desenchufe la máquina de la toma de corriente cuando no esté en uso y antes de someterla a mantenimiento o reparaciones.

**Utilice sólo** en interiores. No utilice en el exterior ni exponga a la lluvia.

**No** permita que la máquina se emplee como juguete. Preste **mucho atención** cuando sea utilizada por niños o cerca de ellos.

**Utilice sólo** del modo descrito en este manual. Use sólo los componentes y accesorios recomendados por el fabricante.

**No** use cables de alimentación ni enchufes dañados. Siga todas las instrucciones contenidas en el manual referentes a la puesta a tierra de la máquina. Si la máquina **no funciona adecuadamente**, se ha caído, ha sufrido daños, fue olvidada en el exterior, o ha caído al agua, llévela a un servicio técnico autorizado.

**No** tire de la máquina ni la arrastre utilizando el cable de alimentación, ni use éste como asa, cierre una puerta sobre él, o tire del cable alrededor de bordes cortantes o esquinas.

**No** haga funcionar la máquina sobre el cable. **Mantenga** el cable alejado de superficies calientes.

**No** desenchufe la máquina tirando del cable. Para desenchufar, hágalo sujetando el enchufe de alimentación, no el cable.

**No** manipule el enchufe de alimentación ni la máquina con las manos mojadas.

**No** haga funcionar la máquina con ninguna de sus aberturas bloqueadas. Mantenga las aberturas limpias de residuos que puedan reducir el caudal de aire.

Esta máquina está diseñada únicamente para la limpieza de alfombras.

**No** aspire objetos que estén ardiendo o humeando, como cigarrillos, cerillas o cenizas calientes.

Esta máquina no es adecuada para recoger residuos peligrosos para la salud.

Desconecte todos los controles antes de desenchufar la máquina.

No maneje la máquina cerca de fluidos, polvo o vapores inflamables.

Personal debidamente capacitado debe realizar el mantenimiento y las reparaciones.

Si sale espuma o líquido de la máquina, desconecte inmediatamente.

## GUARDE ESTAS INSTRUCCIONES

Los símbolos siguientes se usan a lo largo de la guía del modo indicado en sus descripciones:

## **NIVEL DE INTENSIDAD DE RIESGO**

Hay tres niveles de intensidad de riesgo, identificados por palabras claves **-ADVERTENCIA** y **PRECAUCIÓN** y **POR SEGURIDAD**. El nivel de intensidad de riesgo está determinado por las siguientes definiciones:

### **⚠ ADVERTENCIA:**

**ADVERTENCIA** - Riesgos o prácticas poco seguras que PODRÍAN provocar graves lesiones personales o la muerte.

### **⚠ PRECAUCION:**

**PRECAUCIÓN** - Riesgos o prácticas poco seguras que podrían provocar lesiones menores a las personas o daños en el producto o en la propiedad.

**POR SEGURIDAD:** *Para identificar las acciones que deben seguirse para un manejo seguro del equipo,* informe inmediatamente de los daños en la máquina o de su mal funcionamiento. No utilice la máquina si no está en buenas condiciones de funcionamiento. A continuación hay información que indica algunas condiciones potencialmente peligrosas para el operario o el equipo. Lea esta información con atención. Conozca cuándo pueden darse estas condiciones. Coloque todos los dispositivos de seguridad en la máquina. Por favor, siga los pasos necesarios para instruir a los operarios de la máquina.

#### **POR SEGURIDAD:**

**NO UTILICE LA MÁQUINA:**

Si no está instruido y autorizado para ello.

Si no ha leído y entendido el manual de instrucciones.

En áreas inflamables o explosivas.

En áreas en las que pueden caer objetos.

#### **MIENTRAS REPARA LA MÁQUINA:**

Evite el contacto con las piezas móviles. No lleve puesta ropa amplia (chaquetas, camisas, o mangas) cuando trabaje en la máquina. Use piezas de repuesto aprobadas por el fabricante.

### Eléctrico:

En Estados Unidos, esta máquina funciona con un circuito eléctrico estándar de 15 amperes 115 voltios, 60 hz C.A. El amperaje, nivel de hertz y el voltaje están mencionados en la etiqueta de datos que contiene cada máquina. Si se utilizan voltajes superiores o inferiores a los indicados en la etiqueta de datos se le causará un daño serio a los motores.

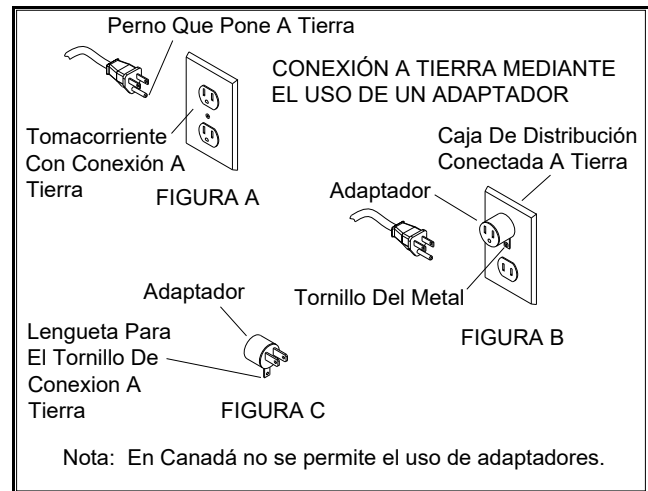
### Cables de Extensión

Si se utiliza un cable de extensión, el tamaño del cable debe ser de al menos un tamaño más grande que el cable de alimentación del máquina y debe limitarse a 50 pies (15,5 m) de longitud.

### Instrucciones Para Conectar El Equipo A Tierra:

Este aparato debe estar conectado a tierra. En caso de un mal funcionamiento o una avería, la conexión a tierra brinda la posibilidad de una resistencia menor a la corriente eléctrica para reducir el riesgo de descarga eléctrica. Este aparato está equipado con un cable que tiene un conductor con conexión a tierra del equipo y un enchufe con conexión a tierra. El enchufe debe ser insertado dentro de un tomacorriente adecuado que esté debidamente instalado y conectado a tierra de acuerdo con todos los códigos y ordenanzas locales.

Este aparato debe usarse en un circuito de 115 voltios nominales y tiene un enchufe conectado a tierra parecido al de la "Fig. A". Se puede usar un adaptador provisorio parecido al adaptador de la "Fig. C" para conectar este enchufe a un receptáculo de 2 polos como se indica en la "Fig. B", si no se dispone de un tomacorriente con conexión a tierra. El adaptador provisorio sólo debe usarse hasta que un electricista calificado pueda instalar un tomacorriente conectado a tierra (Fig. A). La espiga rígida verde, la argolla o pieza similar que se extiende desde el adaptador debe conectarse a una conexión a tierra permanente como una tapa de la caja de distribución que esté adecuadamente conectada a tierra. Cuando se usa el adaptador, se lo debe sujetar en su sitio mediante un tornillo metálico.



### ⚠ ADVERTENCIA:

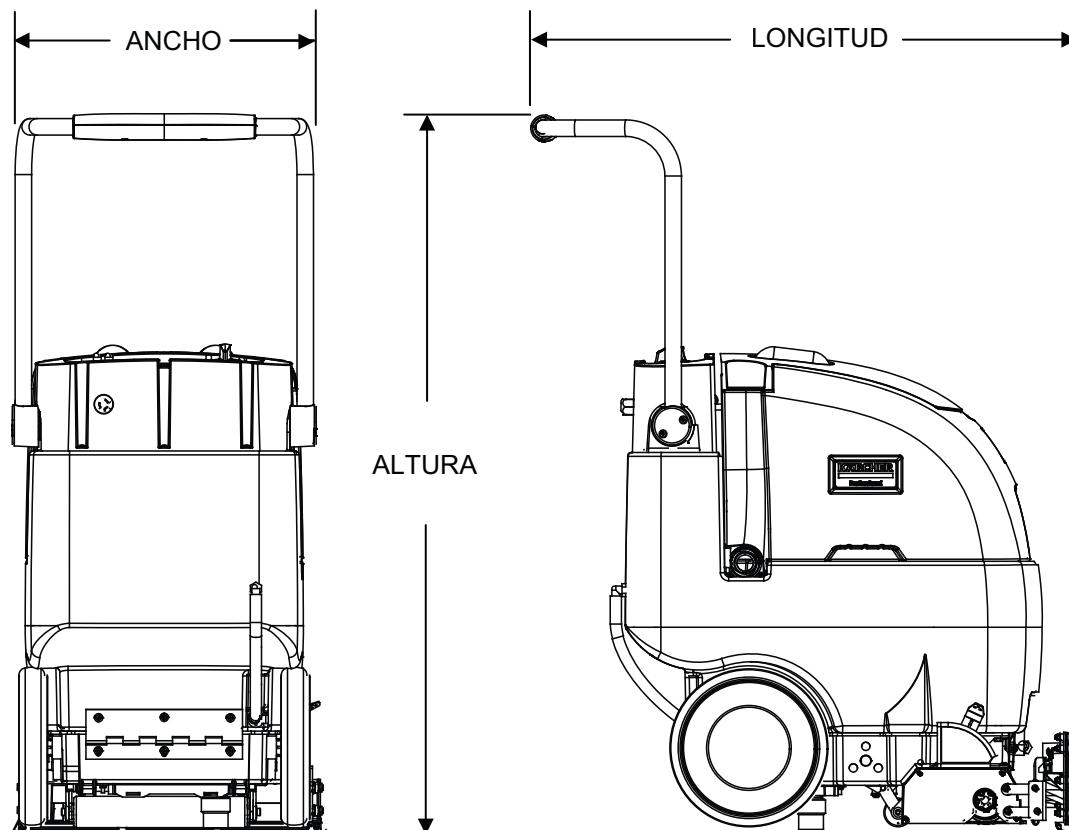
**Una conexión inadecuada del conductor con conexión a tierra del equipo puede tener como resultado un riesgo de descarga eléctrica. Si tiene alguna duda acerca de si el tomacorriente está debidamente conectado a tierra consulte con un electricista o técnico calificado. No modifique el enchufe provisto con el aparato- si no cabe en el tomacorriente-indíquelo a un electricista calificado que le instale un tomacorriente adecuado.**



## Operaciones

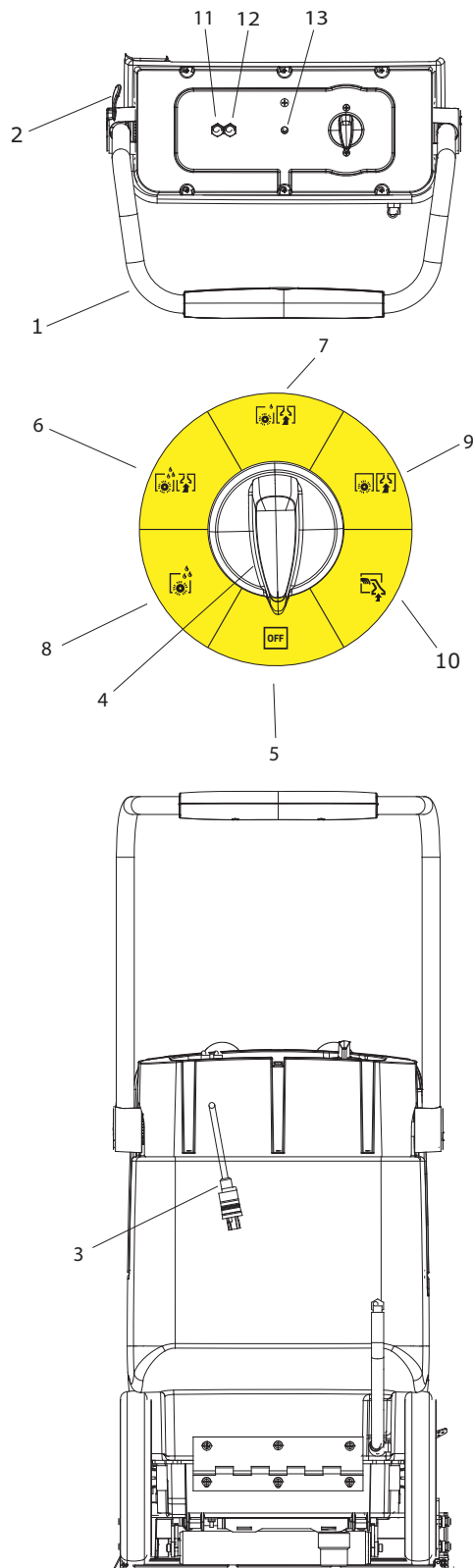
### Especificaciones Técnicas

ARTÍCULO	DIMENSIÓN / CAPACIDAD	
	1.008-160.0 - Admiral X	1.008-161.0 - Admiral XL
Modelo		
Peso	108 libras (49 kg)	126 libras (57.2 kg)
Longitud	33 pulgadas (83.8 cm)	33 pulgadas (83.8 cm)
Altura	42.5 pulgadas (107.9 cm)	45 pulgadas (114.3 cm)
Ancho	19.5 pulgadas (49.5 cm)	22 pulgadas (55.9 cm)
Ruedas	2x 10 pulgadas de diámetro. (25 cm) ruedas de 2 pulgadas	2x 10 pulgadas de diámetro.(25 cm) ruedas de 2 pulgadas
Aerosol de solución	4 Jets de cambio rápido	4 Jets de cambio rápido
Power Cable	50 ft (12.7 m) (14 indicador)	50 ft (12.7 m) (14 indicador)
Zapato de vacío	16 pulgadas de plástico moldeado por inyección con presión hacia abajo cargada por resorte.	18 pulgadas de plástico moldeado por inyección con presión hacia abajo cargada por resorte.
Eléctrico	115V, 15 A, 60 Hz	115V, 15 A, 60 Hz
Motor de vacío eléctrico	3 stage, 1 hp, 99 cfm (2.80 metros cúbicos/min.), Waterlift 117 pulgadas (297 cm)	3 stage, 1 hp, 99 cfm (2.80 metros cúbicos/min.), Waterlift 117 pulgadas (297 cm)
Cepillo	16 pulgadas (40.64 cm)	18 pulgadas (45.7 cm)
Velocidad del cepillo	1000 rpm	1000 rpm
Bomba de Solución	100 PSI, Estilo de diafragma, derivación interna	100 PSI, Estilo de diafragma, derivación interna
Capacidad de solución	9 galones (34.07 ltr)	12 galones (45.5 ltr)
Capacidad de recuperación	6.5 galones (24.61 ltr)	9.25 galones (35.01 ltr)



**⚠ PRECAUCION:**

Cet appareil n'est pas prévu à l'usage des personnes (enfants y compris) avec des possibilités physiques, sensorielles ou mentales réduites, ou le manque d'expérience et de connaissance, à moins qu'ils aient été donnés la surveillance ou l'instruction au sujet de l'utilisation de l'appareil par une personne chargée de leur sûreté. Des enfants devraient être dirigés pour s'assurer qu'ils ne jouent pas avec l'appareil.



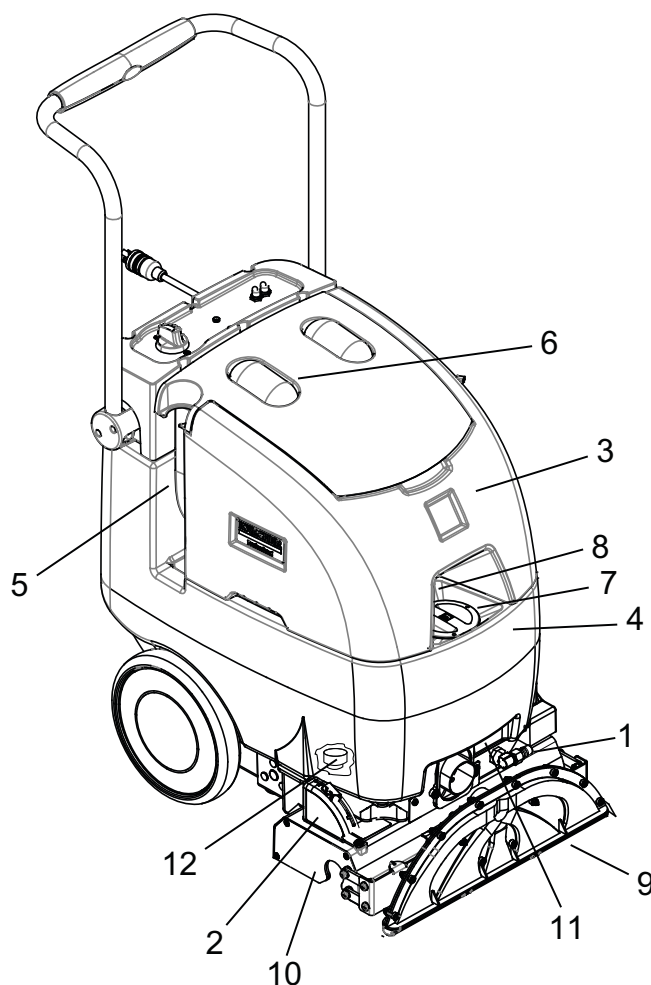
## Controles

1. **Manija principal.** Se usa para tirar de la máquina y maniobrarla.
2. **Ajuste de la manija.** Se usa para ajustar la altura de la manija.
3. **Cable de alimentación.**
4. **Interruptor de Modo Giratorio:**
5. **Apagado: Apaga la Máquina**
6. **Extracción profunda:** Este modo se utiliza para la extracción profunda. La bomba, el motor de aspiración y el motor del cepillo se encenderán. Al pulsar el gatillo, el solenoide de extracción profunda se abrirá y la solución se dispensará al volumen máximo
7. **Modo ¡Eco! (baja humedad):** Este modo se utiliza para mejorar el tiempo de ejecución y la eficiencia. La bomba, el motor de aspiración y el motor del cepillo se encenderán. Al pulsar el gatillo, el solenoide de baja humedad se abrirá y la solución se dispensará a un volumen reducido.
8. **Fregado doble:** Este modo se utiliza para limpiar zonas muy sucias. La bomba y el motor del cepillo se encenderán. No habrá aspiradora ni recuperación en este modo. Al pulsar el gatillo, el solenoide de extracción profunda se abrirá y la solución se dispensará al volumen máximo.
9. **Solo aspiradora:** Este modo se utiliza para la recuperación de la solución. El motor de aspiración y el motor del cepillo se encenderán. En este modo no habrá flujo de solución aunque se pulse el gatillo.
10. **Herramienta auxiliar:** Este modo se utiliza para la limpieza de tapicerías. La bomba y el motor de aspiración se encenderán. Al pulsar el gatillo de la varilla accesoria, la solución fluirá
11. **Disyuntor del motor del cepillo.** 6 amperes El disyuntor protege el motor del cepillo.
12. **Disyuntor del motor de aspiración.** 15 amperes El disyuntor protege el motor de aspiración
13. **Luz indicadora de Smart Speed:** Proporciona al usuario información sobre la velocidad de limpieza para garantizar una limpieza óptima. La luz solo se activa en los modos en los que la bomba está encendida. La luz permanecerá en verde fijo cuando la máquina funcione a velocidad óptima. Si la máquina funciona demasiado despacio, la luz parpadeará lentamente en rojo. Si la máquina funciona demasiado deprisa, la luz parpadeará rápidamente en rojo.



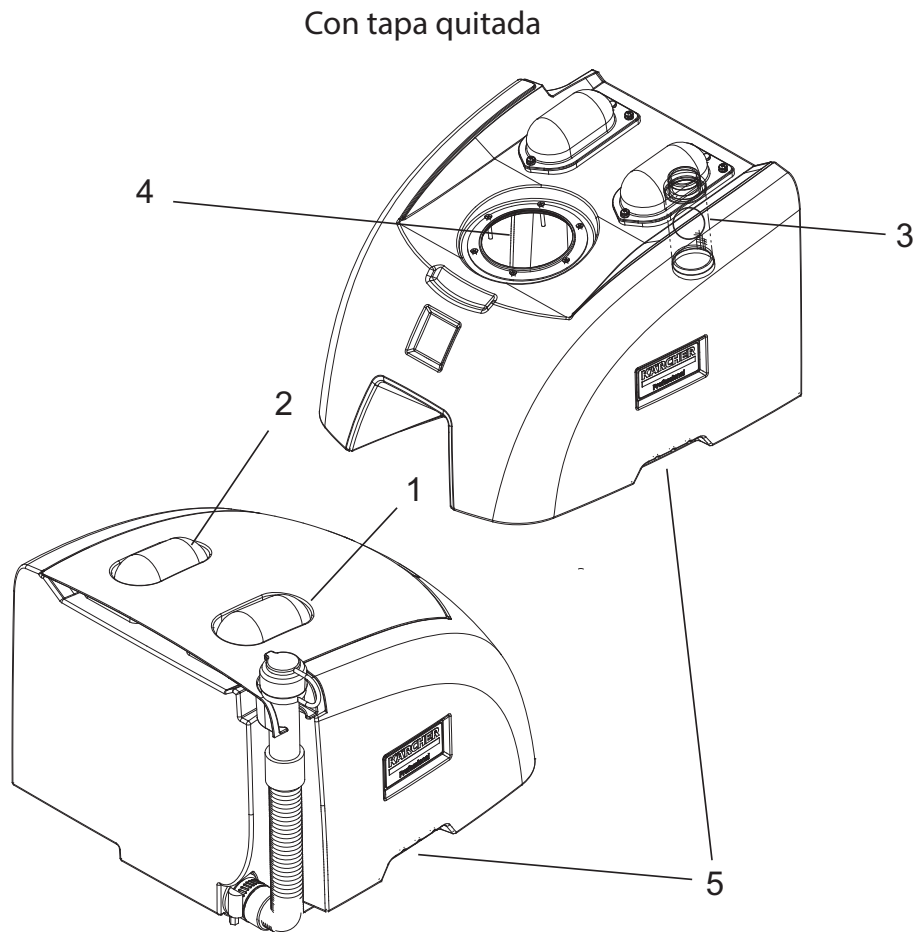
**Componentes**

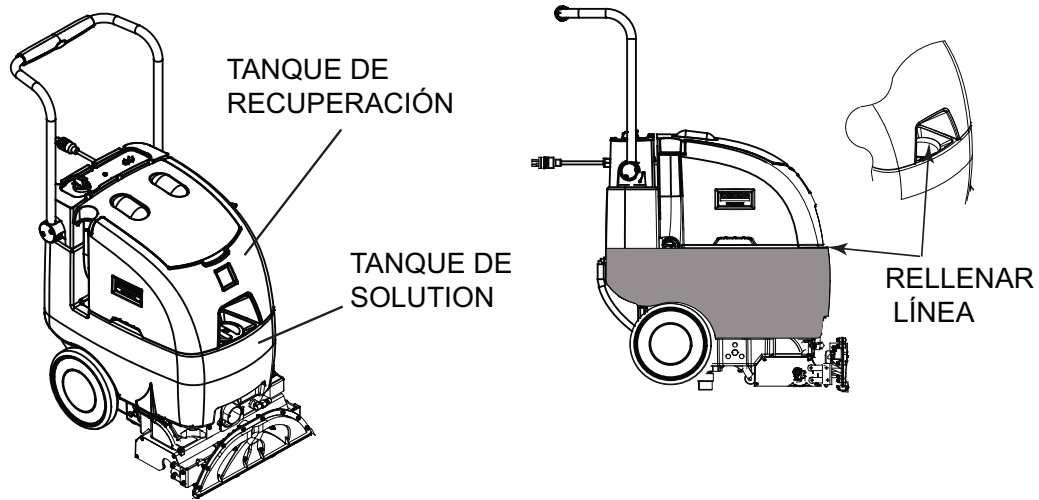
1. **Enganche para Herramienta Accesorio de la Solución.** Se utiliza para diferentes herramientas de limpieza auxiliares.
2. **Ajuste de la Altura de los Cepillos** Se utiliza para regular la altura del cepillo desde la posición de almacenamiento hasta las alturas de las alfombras de pelo alto y pelo bajo.
3. **Depósito de Recogida.** Se usa para recoger la solución de limpieza que está sucia
4. **Depósito Para la Solución.** Se usa para conservar la solución de limpieza.
5. **Manguera de Descarga de Solución..** Facilita el drenaje de la solución de limpieza excedente del depósito de solución
6. **Taza del tanque de recuperación.**
7. **Tapa del tanque de solución.**
8. **Manguera de llenado del tanque de solución.**
9. **Zapata de la Aspiradora.**
10. **Alojamiento de los Cepillos.**
11. **Manija de elevación Delantera.**
12. **Filtro de la Solución de Limpieza.**
13. **Manguera de Descarga de la Recogida.** Facilita el drenaje de la solución de limpieza que está sucia.



### Componentes - Tanque de Recuperación

1. Cubierta de entrada de solución.
2. Cubierta de entrada de vacío.
3. Apagado por flotación.
4. Apertura de limpieza.
5. Asa de elevación.





**Llenando el Almirante X / Almirante XL**

*Nota: Utilice un balde de agua limpia para llenar el tanque de solución.*

**⚠ PRECAUCIÓN:**

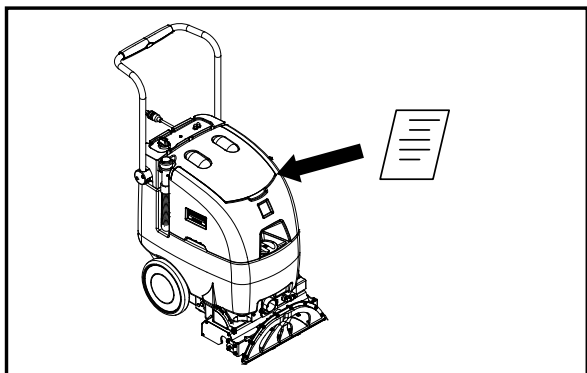
No coloque antiespumantes, solventes, quitamanchas ni productos químicos de prepulverización en el tanque de solución.

No permita que se derrame agua en la entrada del motor de aspiración. Seque el derrame de la parte superior del tanque de solución antes de reemplazar el tanque de recuperación.

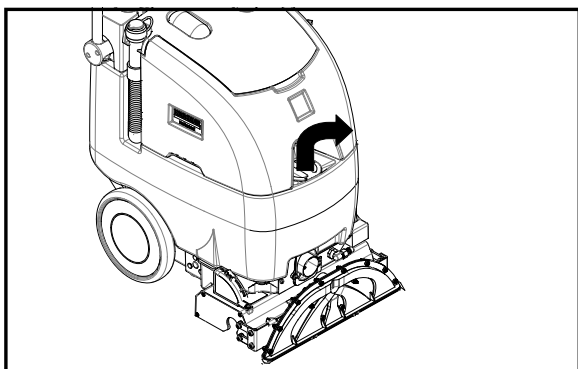
Productos Químicos Adecuados	Productos Químicos no Compatibles
álcalis	Aldehídos
Detergentes	Hidrocarburos aromáticos
Hidróxidos	Butilos SP
Jabones	Tetracloruro de carbono
Vinagre	Cloro*
	Blanqueadores clorados
	Hidrocarburos clorados
	Lisol*
	Metil ethel cetona (MEK)
	Perchoretileno (perc)
	Fenólicos
	Tricloroetileno
	D-Limoneno

\* Nombres de Marcas Comerciales de Productos

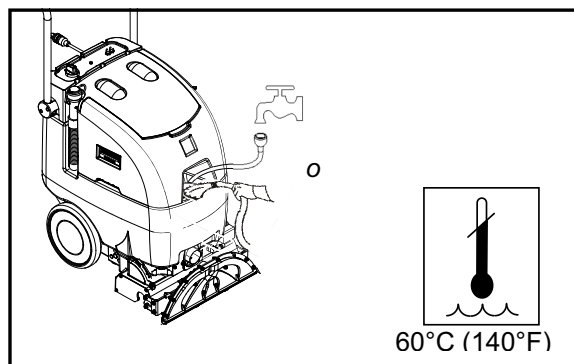
## Operaciones



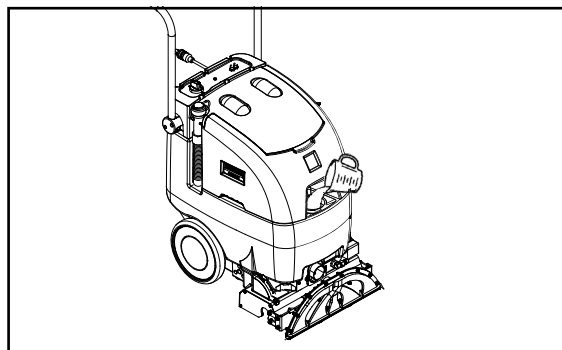
1. Retire el cable de alimentación y el material de lectura del depósito de recogida.



2. Retire la tapa del depósito de solución.

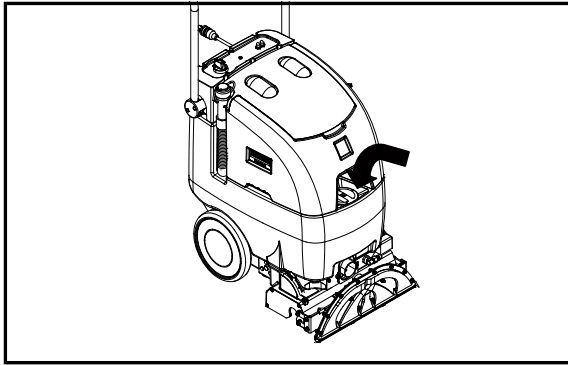


3. Llene el depósito de solución con 34.1 litros (9 galones) de agua para Admiral X o 45.5 litros (12 galones) de agua para Admiral XL, que no supere los 60°C (140°F).

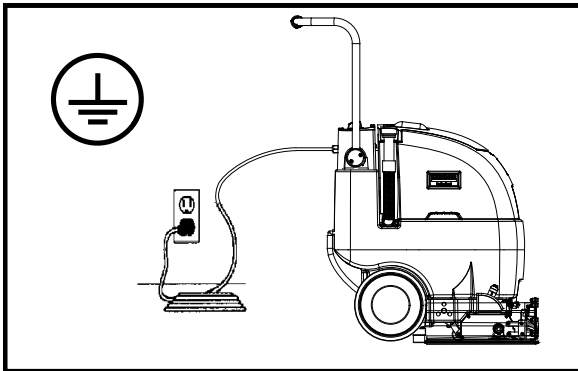


4. Añada 9-18 oz (266-532 ml) de producto químico de limpieza para el Admiral X.

Añada 12-24 oz (356-711 ml) de producto químico de limpieza para el Admiral X. Vuelva a colocar la tapa del depósito de solución.

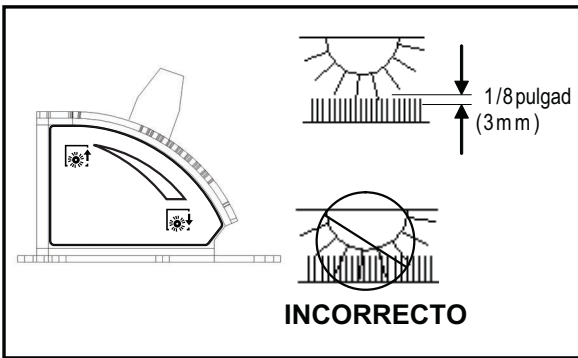


5. Reemplace la tapa del tanque de solución.



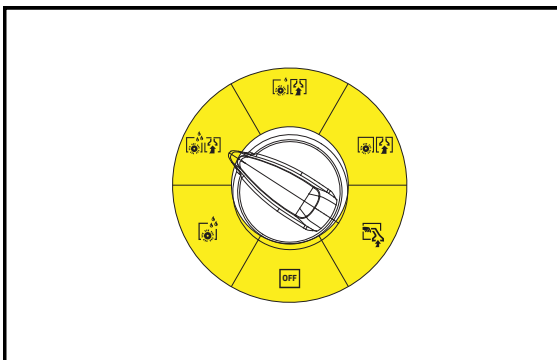
### Máquina de Operación

1. Enchufe el cable en el tomacorriente con conexión a tierra.



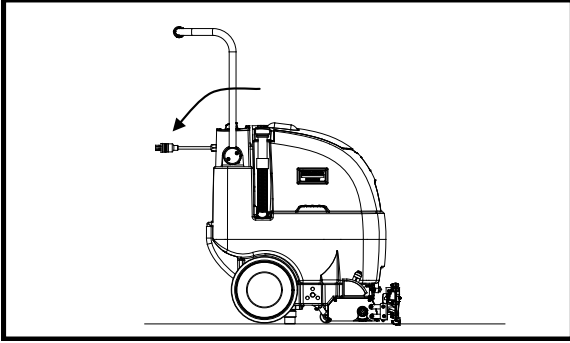
2. Ajuste el cepillo a la altura adecuada para el tipo de alfombra de pelo alto o bajo.

*NOTA: Para un buen funcionamiento del cepillo debe pasarlo ligeramente por la alfombra. Si se acciona el disyuntor, levante el cepillo para evitar que se dañen el motor o la alfombra.*

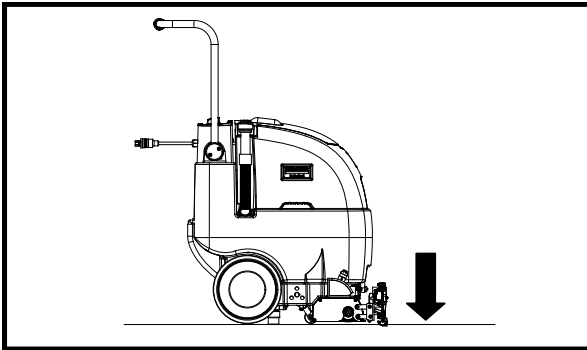


3. Ponga el selector giratorio en el modo "Extracción profunda" con cepillo, aspiradora y bomba encendidos. .

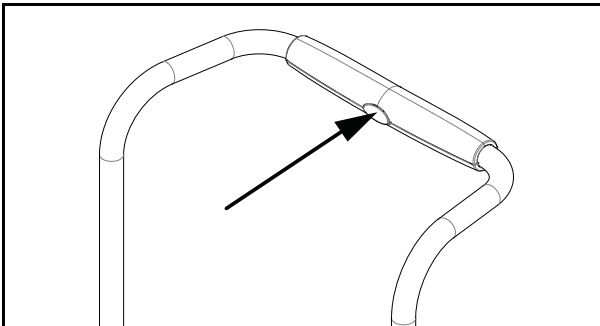
## Operaciones



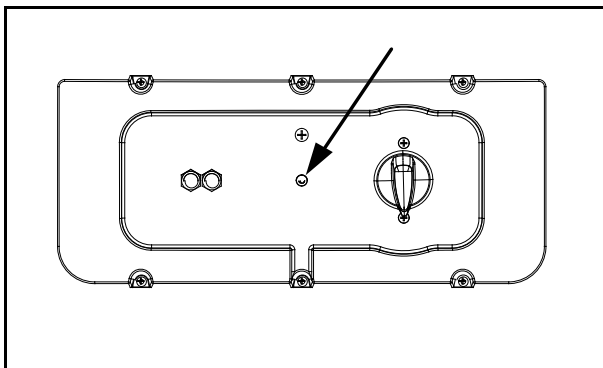
4. Ajuste la manija en una posición cómoda de funcionamiento. Incline la máquina hacia atrás mediante la manija principal para mover la máquina hasta el punto de inicio.



5. Baje la máquina al piso.

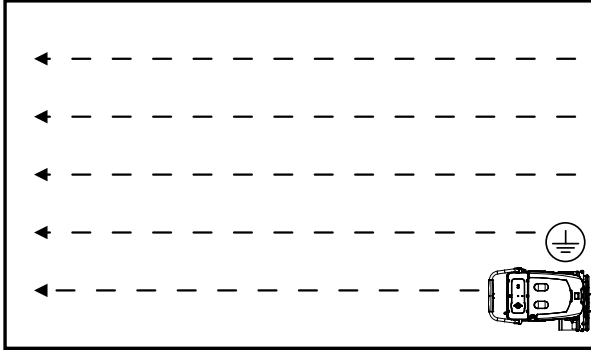


6. Para iniciar el flujo de agua, el operario debe mantener pulsado el interruptor de la manija.

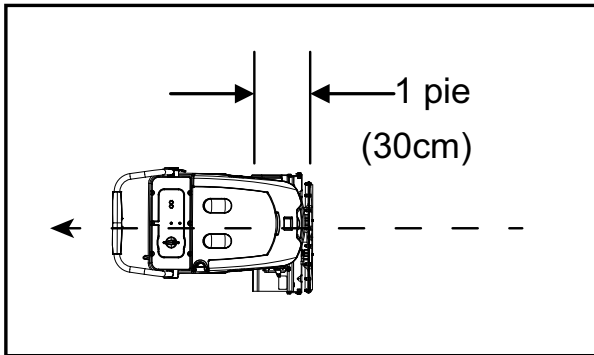


7. Durante la limpieza, la luz indicadora Smart Speed informa al usuario para garantizar una limpieza óptima. La luz solo se activa en los modos en los que la bomba está encendida. Al inicio de una pasada de limpieza, se encenderá la luz indicadora de Smart Speed. La luz permanecerá en verde fijo cuando la máquina funcione a velocidad óptima. Si la máquina funciona demasiado despacio, la luz parpadeará lentamente en rojo. Si la máquina funciona demasiado rápido, la luz parpadeará rápidamente en rojo. La velocidad de limpieza debe ajustarse como corresponde para garantizar una limpieza óptima.

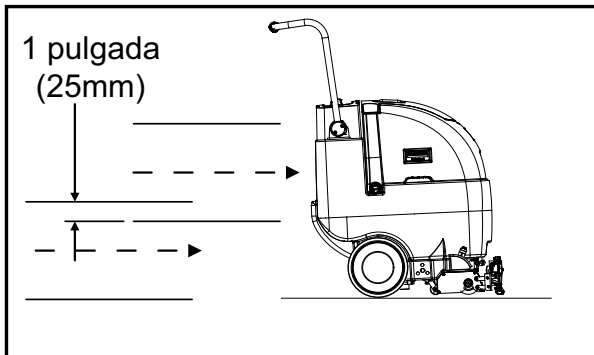
**Procedimiento de Limpieza**



1. Comience por la pared más cercana al tomacorriente. Para zonas pequeñas, tire hacia atrás sin presionar la manija.



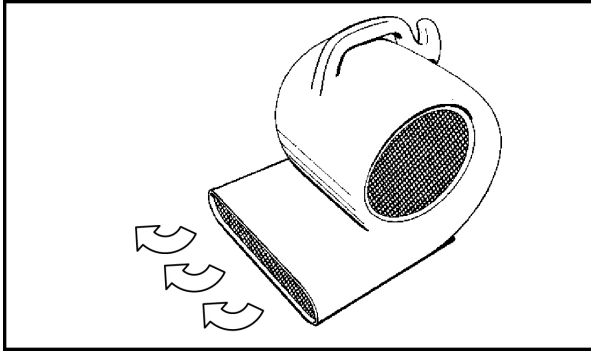
2. Suelte los interruptores del gatillo aproximadamente 1 pie antes de finalizar la pasada de limpieza.



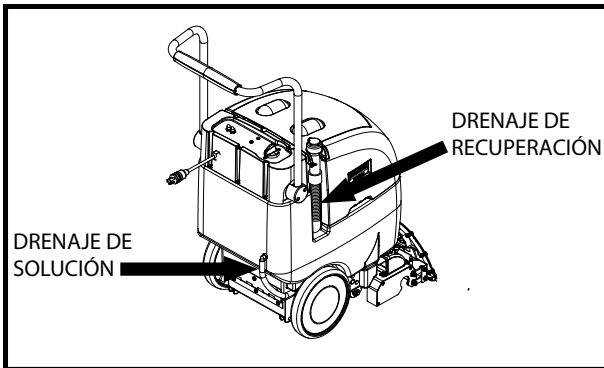
3. Empuje la manija hacia abajo para elevar la zapata de la aspiradora y el cepillo antes de cambiar a la pasada de limpieza siguiente. Superponga el área de contacto del cepillo aproximadamente 1 pulgada.







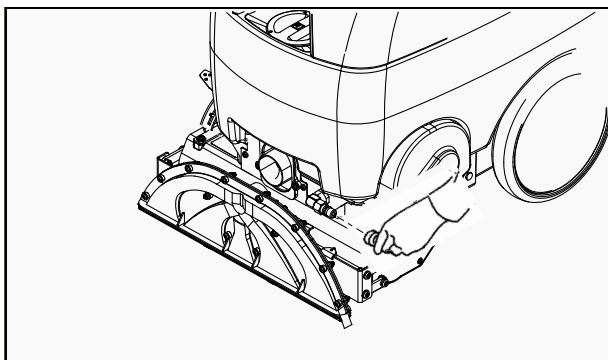
8. Para un secado rápido, use un ventilador de recirculación de aire.



9. Vacíe el depósito de recogida soltando la manguera de descarga. Use una manguera con agua fría para limpiar el depósito de recogida. Drene también el depósito para la solución después de cada uso.

## Operaciones

### Uso de Herramientas Accesorias



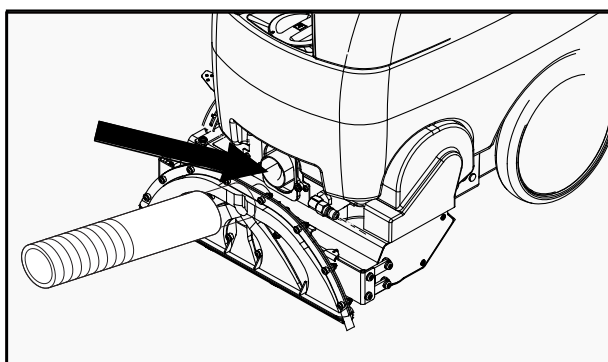
Use únicamente una de las siguientes herramientas auxiliares aceptables.

8.600-061.0 - VARILLA ESTÁNDAR

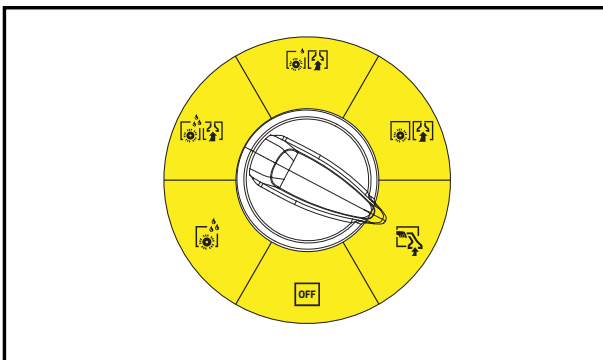
8.600-060.0 - VARILLA PROFESIONAL DELUXE

8.603-154.0 - MANGUERA ASM, HERRAMIENTAS MANUALES CST U19821

1. Empuje hacia atrás el collarín e inserte sobre el accesorio montado en la máquina, luego suelte el collarín para que se trabe en su lugar.

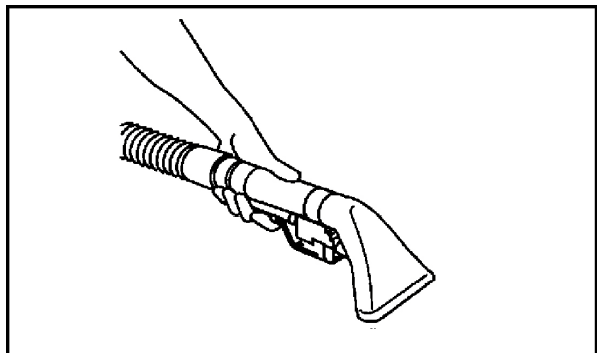


2. Desconecte la manguera de la zapata de la aspiradora e inserte el manguito de la manguera de 1 1/2 pulgadas en el manguito de la manguera de la máquina.



3. Gire el interruptor giratorio al modo de auxiliar.

**NOTA:** Asegúrese de que el cepillo está en posición de almacenamiento.



4. Apriete la manija de la herramienta auxiliar para comenzar la limpieza.

**Horario de Servicio**

Mantenimiento	Diario	Semanal mente	Trimestral
Verifique si el cable de alimentación de la máquina está dañado .	*		
Verifique si la cubierta metálica y la junta del depósito de recogida están dañadas o no están limpias.	*		
Verifique el cepillo: debe estar limpio sin pelusas ni hilos.	*		
Inspeccione la zapata de la aspiradora en busca de obstrucciones. Elimine las fibras o los residuos enjuagando la zapata de la aspiradora bajo un grifo; separe la zapata de la aspiradora por la mitad para los residuos más grandes.	*		
Verifique si las mangueras están desgastadas, bloqueadas o dañadas .	*		
Verifique las manijas, interruptores y botones están dañados.	*		
Verifique el filtro de entrada del motor de aspiración y limpie.	*		
Haga circular 3.8 l. de agua (1 gal.) por el sistema.	*		
Limpie el depósito de recogida y verifique la válvula esférica para asegurarse que se mueve libremente.	*		
Limpie el depósito para la solución y retire y limpie la criba de entrada del vacío.	*		
Limpie el exterior de todos los depósitos y compruebe si están dañados.	*		
Haga funcionar el motor de aspiración al menos un minuto para permitir que se seque.	*		
Almacene con la cubierta metálica retirada del depósito para permitir que éste se seque.	*		
Limpie los residuos del codificador rotatorio y del soporte del imán.	*		
Verifique si los cojinetes hacen ruido.		*	
Verifique si las juntas están dañadas y tienen fugas.		*	
Verifique si la criba de entrada de vacío está dañada; cambie si es necesario.		*	
Verifique la presión de la bomba; observe el patrón de pulverización y verifique con un medidor si es necesario.		*	
Verifique y limpie la criba de la solución.		*	
Verifique las correas para determinar si están desgastadas y reemplácelas si es necesario.		*	
Verifique el cepillo para determinar si está desgastado, compruebe que las cerdas no estén dañadas.		*	
Verifique si los cables están deshilachados.		*	
Verifique la barra de pulverización (distribuidor) para determinar si está dañada; reemplácela si está rota o doblada.		*	
Verifique el estado de la zapata de la aspiradora y el bastidor para determinar si están dañados.		*	
Verifique el rendimiento general de la máquina.		*	
Verifique los cepillos de carbón del motor de aspiración.			*

## **Mantenimiento**

---

### **Mantenimiento Periódico**

Dos veces al mes, enjuague el extractor con una solución de vinagre blanco (un cuarto de vinagre por dos galones de agua) o con una solución antioscurecimiento (mezclada como se indica). Esto evitará que se acumulen residuos alcalinos en el sistema. Si las boquillas pulverizadoras se atascan, retire las puntas, lávelas a fondo, y séquelas mediante aire.

*NOTA: No utilice clavijas, cables, etc. para limpiar las boquillas ya que los mismos podrían destruir el diseño de pulverización.*

Inspeccione periódicamente todas las mangueras, los cables eléctricos y las conexiones de su máquina. Las mangueras deshilachadas o agrietadas deben repararse o sustituirse para eliminar las pérdidas de presión de la aspiración o de la solución. Si el aislamiento del cable está roto o deshilachado, repárelo o cámbielo de inmediato. No se arriesgue a que se produzca un incendio o una descarga eléctrica.

### **Mantenimiento Diario / Regular**

Antes de realizar cualquier ajuste o reparación en la máquina, desconecte el cable de alimentación de la fuente eléctrica.

1. Vacíe el depósito para la solución de solución limpiadora sin usar. La manguera de drenaje de la solución se encuentra en la parte trasera derecha de la máquina desde la posición del operador.
2. Inspeccione y limpie la criba del filtro en el depósito para la solución.
3. Lave el sistema de bombeo con 4 o 7 litros de agua caliente limpia.
4. Tras cada uso, enjuague el depósito con agua limpia. Inspeccione periódicamente el depósito de recogida y descontamine si es necesario, utilizando un Virucida de uso hospitalario o una solución blanqueadora y agua de 1-10. Deshágase del agua sucia de una manera adecuada.
5. Verifique si hay pelusas o residuos alrededor de la zapata de la aspiradora y elimínelos.
6. Verifique que las boquillas aspersoras cuentan con el patrón de pulverización completo.
7. Elimine la acumulación de pelusas o suciedad del cepillo y el alojamiento.

*NOTA: Extracción del cepillo.*

- a. Desconecte toda la energía.

## Sustitución del Motor de Aspiración

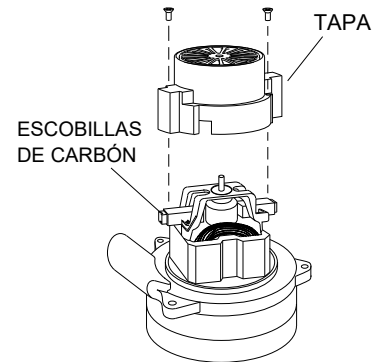
### **⚠ ADVERTENCIA:**

*Sólo personal de mantenimiento calificado debe realizar las siguientes reparaciones.*

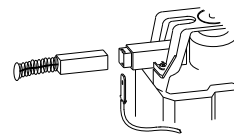
1. Apague todos los interruptores y desenchufe la máquina.
2. Retire el depósito de recogida.
3. Retire los dos (2) tornillos que sujetan el depósito para la solución al bastidor e incline el depósito hacia atrás para dejar a la vista el interior del bastidor.
4. Ubique los cables del motor de aspiración y desconéctelos del conector. Cierre el depósito de solución.
5. Retire los (6) tornillos que sujetan la tapa del motor de aspiración al depósito de solución.
6. Retire el motor de aspiración.
7. Invierta el proceso para instalar el motor de aspiración.

## Reemplazo de Escobillas de Carbón del Motor de Vacío

**Advertencia:** El cable verde de conexión a tierra debe estar conectado para una operación segura. Consulte el diagrama de cableado.

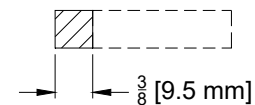


Si el conmutador del rotor no es concéntrico, o está muy picado o estriado, el motor debe sustituirse o ser enviado a un servicio técnico autorizado.



### IMPORTANTE:

Las escobillas se desgastan más deprisa cuando se reduce su longitud, por aumento del calor. El muelle dentro del alojamiento de las escobillas puede dañar el motor si éstas se desgastan por completo.



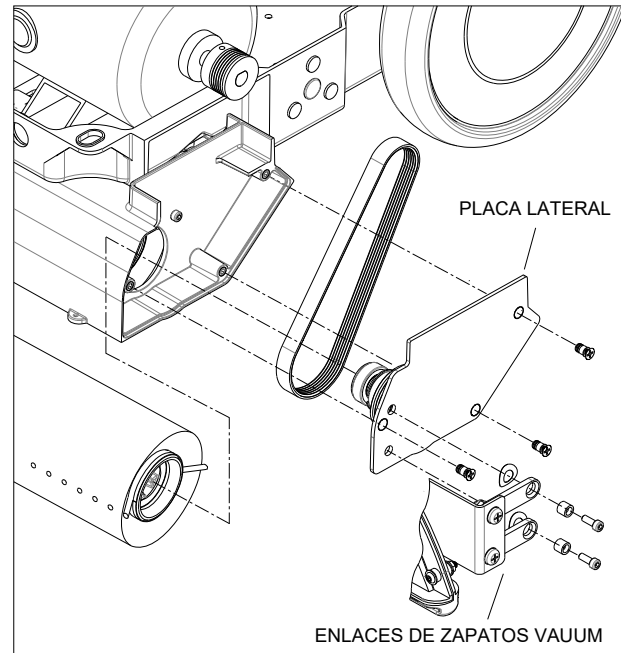
Compruebe la longitud de las escobillas de carbón periódicamente. sustitúyalas cuando la longitud de alguna de ellas sea menor de 9,5 mm (3/8").

### Sustitución de la Correa

#### **⚠ ADVERTENCIA:**

Sólo personal de mantenimiento calificado debe realizar las siguientes reparaciones.

1. Apague todos los interruptores y desenchufe la máquina.
2. Retire el tanque de recuperación y el cepillo.
3. Retire los (2) tornillos que sujetan el depósito de solución al bastidor, e incline el depósito hacia atrás para exponer el interior del bastidor.
4. Afloje los cuatro (4) tornillos que sujetan el motor del cepillo en su sitio y deslice el motor hacia adelante para aflojar la tensión de la correa.
5. Retire los (2) tornillos que sujetan los eslabones de la zapata de la aspiradora al alojamiento del cepillo.
6. Retire los (3) tornillos que sujetan la placa lateral al alojamiento del cepillo para retirar la correa.
7. Realice el proceso a la inversa para instalar la correa.

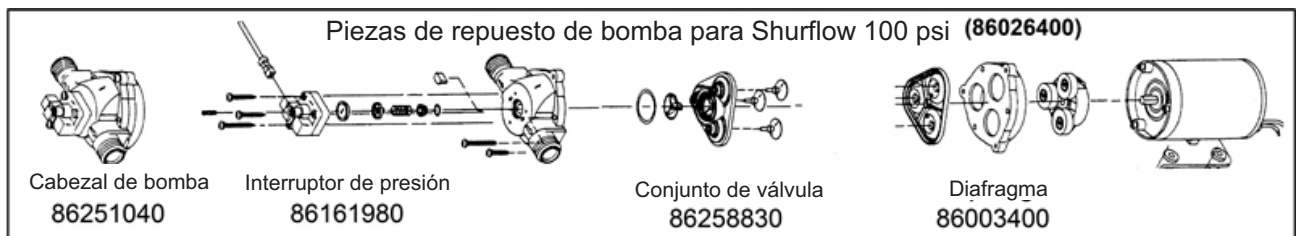


## Sustitución de la Bomba de Solución

### **⚠ ADVERTENCIA:**

**Sólo personal de mantenimiento calificado debe realizar las siguientes reparaciones.**

1. Apague todos los interruptores y desenchufe la máquina.
2. Retire el tanque de recuperación.
3. Retire los (2) tornillos que sujetan el tanque de solución al marco e incline el tanque hacia atrás para exponer el interior del marco.
4. Retire las mangueras de solución de los conectores de la bomba.
5. Retire los dos (2) tornillos que sujetan la bomba al bastidor.
6. Realice el proceso a la inversa para instalar la bomba.



## Mantenimiento

### Solución de Problemas

PROBLEMA	CAUSA	SOLUCIÓN
Sin energía, nada funciona	¿Está el cable enchufado?	Conecte el cable.
	Circuit breaker tripped in building.	Reinicie el disyuntor.
	Interruptor defectuoso.	Llame al servicio.
	Cable de alimentación o coleta defectuoso.	Llame al servicio
El motor de aspiración no funciona.	El disyuntor de vacío se disparó.	Reinicie el disyuntor.
	Interruptor de vacío principal defectuoso.	Llame al servicio
	Cableado suelto.	Llame al servicio
	Motor de aspiradora defectuoso.	Llame al servicio
El motor de aspiración funciona pero la succión es deficiente	Restos alojados en la zapata de la aspiradora.	Retire los residuos de la zapata de la aspiradora.
	Junta de domo defectuosa o faltante.	Reemplazar según sea necesario.
	Manguera de vacío agrietada o manguito flojo..	Reemplace o repare según sea necesario.
	Tanque de recuperación lleno/bola flotante atascada en la posición superior.	Apague el motor de la aspiradora. Drene y enjuague el tanque de recuperación.
Flujo de agua deficiente o nulo (la alfombra tiene rayas)	Apagado de la bomba principal.	Encender.
	Jets obstruidos o faltantes.	Limpie usando una solución de vinagre/ agua o reemplace.
	Filtro de solución obstruido.	Drene el tanque de solución y limpie el filtro de solución..
	Solenoid defectuoso.	Llame al servicio
El cepillo no gira	Apagado del cepillo.	Encienda el interruptor del cepillo.
	Se disparó el disyuntor del cepillo.	Reinicie el disyuntor.
	Correa de cepillo rota.	Reemplace según sea necesario.
	Motor del cepillo defectuoso.	Llame al servicio



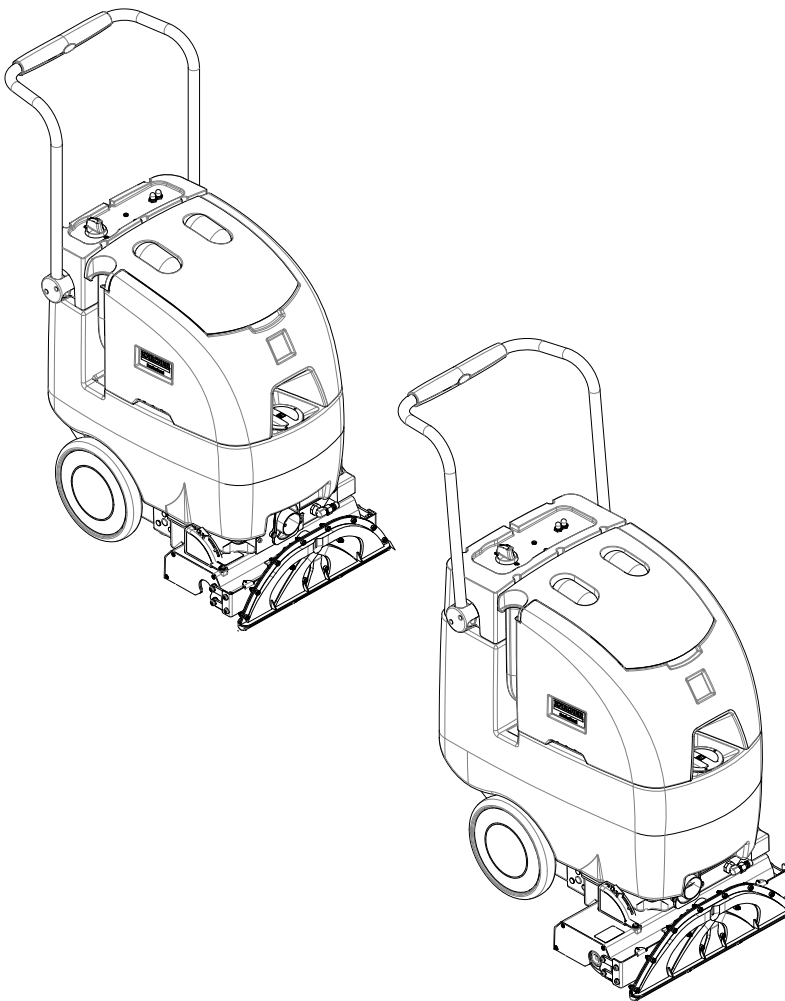
<b>NÚMERO DE PIEZA.</b>	<b>DESCRIPCIÓN</b>	<b>SERIE #</b>	<b>NOTAS</b>
86001100	BELT, 180J6 MICRO-V		Brush Assembly
86004570	JET BODY, MINI PROMAX BODY		Pump
86241680	JET, MINI PROMAX 9503		Pump
86012550	JET, PROMAX, 11001		Pump
86003630	FLOAT, SHUT-OFF		Recovery Tank
86397190	DOME, CLEAR, RECOVERY		Recovery Tank
86007970	STRAINER, 3/8 IN. NPT 60 MESH		Solution Tank
86135320	BRUSH SET, 120V VAC		Solution Tank



## Admiral X Admiral XL

Français

02



À partir du numéro de série (Réf. No1\*)  
\*Voir la page du numéro de série dans la pièce de  
rechange Liste des pièces ou appeler le fabricant.



## Étiquette de Données Machine

Modèle : \_\_\_\_\_

Date d'achat : \_\_\_\_\_

Numéro de série : \_\_\_\_\_

Détaillant : \_\_\_\_\_

Adresse : \_\_\_\_\_

Numéro de téléphone : \_\_\_\_\_

Représentant commercial: \_\_\_\_\_

Cet extracteur de tapis est un extracteur de tapis portable et électrique destiné à un usage commercial. L'appareil pulvérise une solution de nettoyage sur le tapis, agite le tapis mouillé, puis extrait la solution sale dans le réservoir de récupération de l'unité. L'appareil est équipé d'un outil manuel pour nettoyer les tissus d'ameublement et les escaliers.

**MODELS: 1.008-160.0 Admiral X, BRC 40/34**  
**1.008-161.0 Admiral XL, BRC 45/45**

### Enregistrement de la garantie

Merci d'avoir acheté un produit Kärcher North America. L'enregistrement de la garantie est facile et rapide. Votre enregistrement nous permettra de mieux vous servir tout au long de la durée de vie de votre produit.

Pour enregistrer votre produit, consultez :

<https://www.kaercher.com/us/support/professional-services/professional-warranty-registration.html>

Pour l'assistance client:

1-800-444-7654

**KÄRCHER**

Étiquette de Données Machine .....	2
Table des Matières .....	3
Comment Utiliser ce Manuel .....	4

### **Sécurité**

EMPLACEMENT DE L'ÉTIQUETTE DE SÉCURITÉ	5
IMPORTANTES MESURES DE SÉCURITÉ .....	6
NIVEAU D'INTENSITÉ DU DANGER .....	7
Informations Électriques: .....	8
Consignes De Mise À La Terre : .....	8

### **Opérations**

Spécifications Techniques .....	10
Emplacements des Contrôles .....	12
Composants .....	13
Composants - Réservoir de Récupération .....	14
Remplissage de l'Admiral X / Admiral XL .....	15
Fonctionnement des Machines .....	17
Procédure de Nettoyage .....	19
Utilisation des Outils Accessoires .....	22

### **Entretien**

Calendrier des Services .....	23
Entretien Périodique .....	24
Entretien quotidien/régulier .....	24
Remplacement du Moteur d'Aspiration .....	25
Remplacement de la Courroie .....	26
Remplacement de la Pompe à Solution .....	27
Dépannage .....	28
Pièces de Rechange Suggérées .....	29

## Comment Utiliser ce Manuel

Le présent manuel contient les chapitres suivants :

- Comment Utiliser Ce Manuel
- Mesures De Sécurité
- Fonctionnement De La Machine
- Entretien

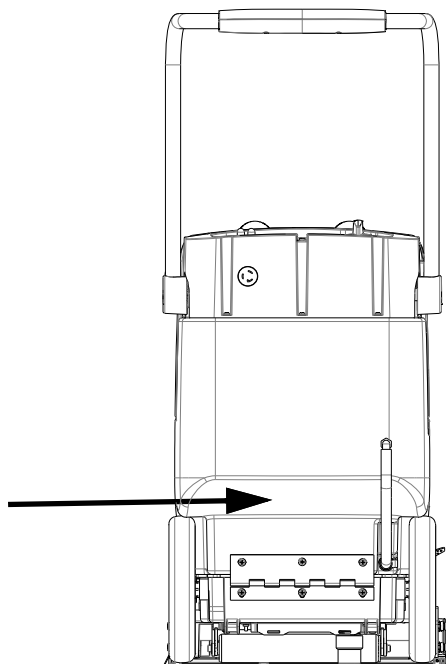
La partie intitulée COMMENT UTILISER CE MANUEL indique comment trouver les informations permettant de commander les pièces détachées adéquates.

Les pièces détachées peuvent être commandées auprès de distributeurs agréés. Lors de la commande de pièces détachées, il est important de fournir le modèle et le numéro de la machine utilisée. Se référer pour cela aux DONNÉES MACHINE complétées au cours de l'installation de la machine.

Elles sont situées à l'intérieur de la couverture de ce manuel..

Modèle :	_____
Date d'achat :	_____
Numéro de série :	_____
Détaillant :	_____
Adresse :	_____
Numéro de téléphone :	_____
Représentant commercial:	_____

Le modèle et le numéro de série de votre machine se trouvent sous le réservoir de récupération comme indiqué ci-dessous.



Le chapitre intitulé MESURES DE SÉCURITÉ comporte des informations importantes en matière de risques et de pratiques sécuritaires relatives à cette machine. Il indique les risques qui pourraient endommager le produit ou provoquer des blessures légères ou même graves pouvant entraîner la mort.

Le chapitre intitulé FONCTIONNEMENT DE LA MACHINE a pour but d'aider l'opérateur à se familiariser avec l'opération et le fonctionnement de la machine.

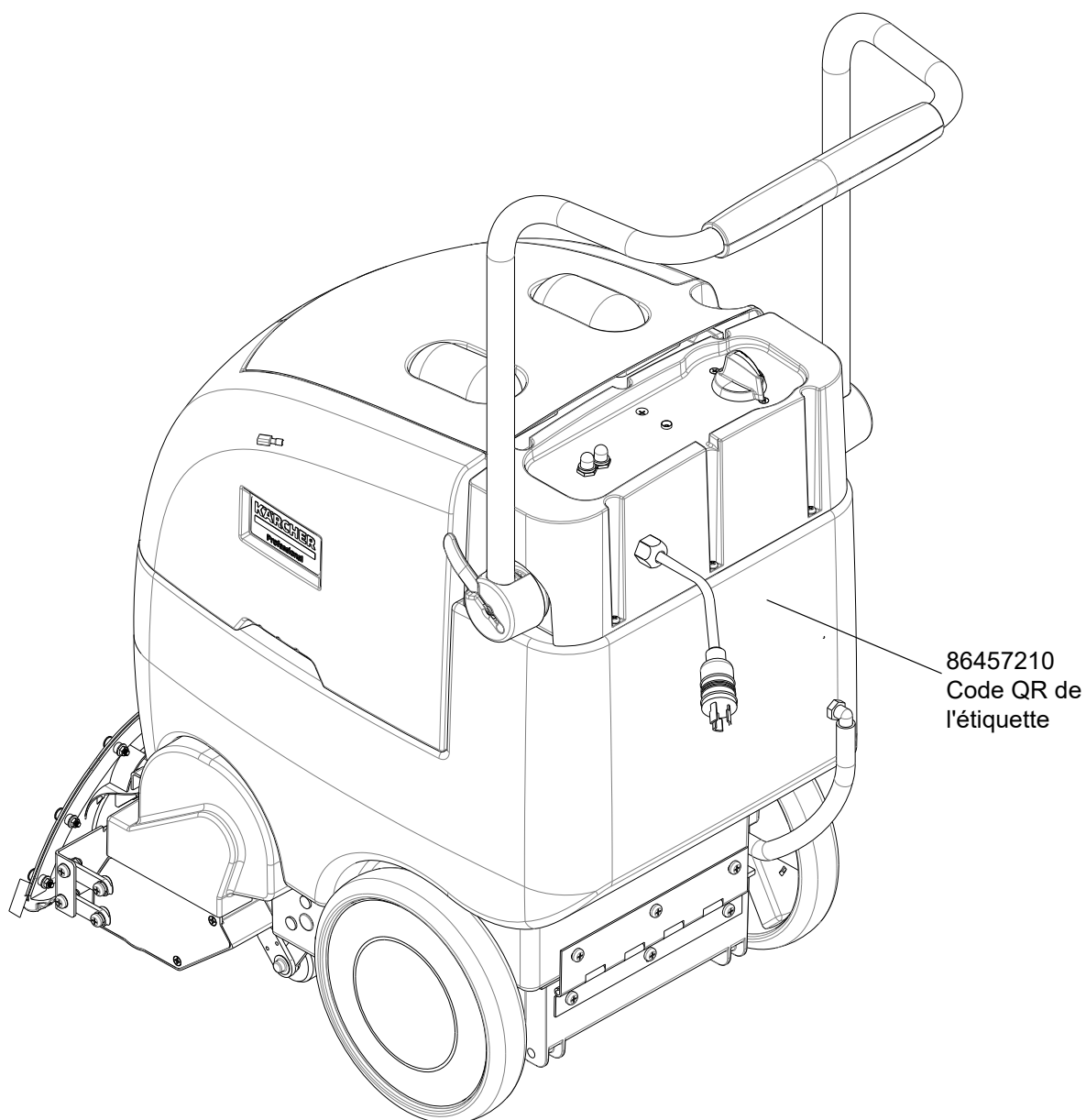
Le chapitre intitulé ENTRETIEN contient les mesures d'entretien préventives permettant de maintenir la machine et ses composants dans un bon état de fonctionnement. Elles concernent de manière générale:

- Entretien Périodique
- Entretien Quotidien/Régulier
- Remplacement du moteur d'aspiration
- Remplacement de la courroie
- Remplacement de la pompe à solution
- Dépannage

REMARQUE: si un kit de service ou d'option est installé sur votre machine, assurez-vous de conserver les INSTRUCTIONS DU KIT fournies avec le kit. Il contient les numéros de pièces de rechange nécessaires pour commander de futures pièces. REMARQUES: Le nombre sur le coin inférieur droit de la couverture est le numéro de la pièce pour ce manuel

## EMPLACEMENT DE L'ÉTIQUETTE DE SÉCURITÉ

**REMARQUE :** Ces dessins indiquent l'emplacement des étiquettes de sécurité sur la machine. Si, à tout moment, les étiquettes deviennent illisibles, contactez votre représentant autorisé pour un remplacement rapide



# IMPORTANTES MESURES DE SÉCURITÉ

L'utilisation d'un appareil électrique demande certaines précautions:

LIRE TOUTES LES INSTRUCTIONS AVANT DE FAIRE FONCTIONNER (CET APPAREIL).

**⚠ AVERTISSEMENT:** Pour réduire le risque d'incendie, d'électrocution ou de blessure :

Connectez-vous à une prise correctement mise à la terre. Voir les instructions de mise à la terre.

Ne pas laisser l'appareil sans surveillance lorsqu'il est branché. Débrancher lorsque l'appareil n'est pas utilisé et avant l'entretien.

Utiliser uniquement à l'intérieur. Ne pas utiliser à l'extérieur et ne pas exposer à la pluie.

Ne pas permettre aux enfants de jouer avec l'appareil. Une attention particulière est nécessaire lorsque l'appareil est utilisé par des enfants ou à proximité de ces derniers.

Utiliser cet appareil conformément aux instructions du présent manuel uniquement. N'utiliser que les composants et les accessoires conseillés par le fabricant.

Ne pas utiliser si le cordon ou la fiche est endommagé. Suivez toutes les instructions de ce manuel concernant la mise à la terre du machine. Retourner l'appareil à un atelier de réparation s'il ne fonctionne pas bien, s'il est tombé ou s'il a été endommagé, oublié à l'extérieur ou immergé.

Ne pas tirer soulever ou traîner l'appareil par le cordon. Ne pas utiliser le cordon comme une poignée, le coincer dans l'embrasure d'une porte ou l'appuyer contre des arêtes vives ou des coins. Ne pas faire rouler l'appareil sur le cordon.

Garder le cordon à l'écart des surfaces chaudes.

Ne pas débrancher en tirant sur le cordon. Tirer plutôt la fiche.

Ne pas toucher la fiche ou l'appareil lorsque vos mains sont humides.

N'insérer aucun objet dans les ouvertures. Ne pas utiliser l'appareil lorsqu'une ouverture est bloquée. S'assurer que de la poussière, de la peluche, des cheveux ou d'autres matières ne réduisent pas le débit d'air.

Cette machine est destinée pour nettoyer le tapis seulement.

Ne pas aspirer de matières en combustion ou qui dégagent de la fumée, comme des cigarettes, des allumettes ou des cendres chaudes.

Cette machine **n'est pas** adaptée au ramassage de poussières dangereuses.

Mettre toutes les commandes à la position ARRÊT avant de débrancher l'appareil.

Ne pas aspirer des liquides inflammables ou combustibles, comme de l'essence, et ne pas faire fonctionner dans des endroits où peuvent se trouver de tels liquides.

L'entretien et les réparations de la machine **doivent être effectuées** par un personnel qualifié.

Si de la mousse ou du liquide sort de la machine, **la mettre hors tension immédiatement.**

## CONSERVER CES INSTRUCTIONS



Les symboles ci-dessous sont utilisés à travers ce manuel comme illustré dans leurs descriptions :

## **NIVEAU D'INTENSITÉ DU DANGER**

Il existe trois niveaux d'intensité du danger, identifiés par des termes d'avertissement - **AVERTISSEMENT**, **ATTENTION** et **POUR VOTRE SÉCURITÉ**. Le niveau d'intensité du danger est déterminé par les définitions suivantes :

### **⚠ AVERTISSEMENT:**

**AVERTISSEMENT** - Les dangers ou des pratiques contraires à la sécurité qui **POURRAIENT** entraîner des blessures personnelles ou la mort.

### **⚠ ATTENTION:**

**ATTENTION** - Les dangers ou des pratiques contraires à la sécurité qui pourraient entraîner des blessures personnelles légères ou des dégâts sur le produit ou d'autres biens.

### ***POUR DES RAISONS DE SÉCURITÉ : Pour identifier les actions qui doivent être exécutées pour un fonctionnement sûr de l'équipement.***

Signaler immédiatement tout dommage subi par la machine ou fonctionnement défectueux. Ne pas utiliser la machine si elle ne fonctionne pas correctement. Ci-dessous se trouvent les informations indiquant les conditions potentiellement dangereuses pour l'opérateur ou l'équipement. Lire attentivement ces informations. Être conscient que ces conditions peuvent survenir. Repérer tous les dispositifs de sécurité sur la machine. Suivre les étapes nécessaires de formation du personnel qui utilise la machine.

### ***POUR DES RAISONS DE SÉCURITÉ :***

**NE PAS FAIRE FONCTIONNER LA MACHINE :**

Sauf si le personnel est formé et autorisé.

Sauf si le manuel d'utilisation est lu et compris.

Dans des zones inflammables ou explosives.

Dans des zones contenant des objets susceptibles de tomber

### ***LORS DE L'ENTRETIEN DE LA MACHINE :***

Éviter les pièces mobiles. Ne pas porter de vêtements, vestes, chemises ou manches vagues lors de l'entretien de la machine. Utiliser les pièces de rechange approuvées par le fabricant.

### Informations Électriques:

Aux États-Unis, cette machine fonctionne sur un circuit d'alimentation CA standard de 15 A 120 V, 60 Hz. Les informations en matière d'intensité, de fréquence hertzienne et de tension sont indiquées sur l'étiquette figurant sur chaque appareil. Le fait d'utiliser des tensions supérieures ou inférieures à celles indiquées sur l'étiquette signalétique endommagera gravement le moteur.

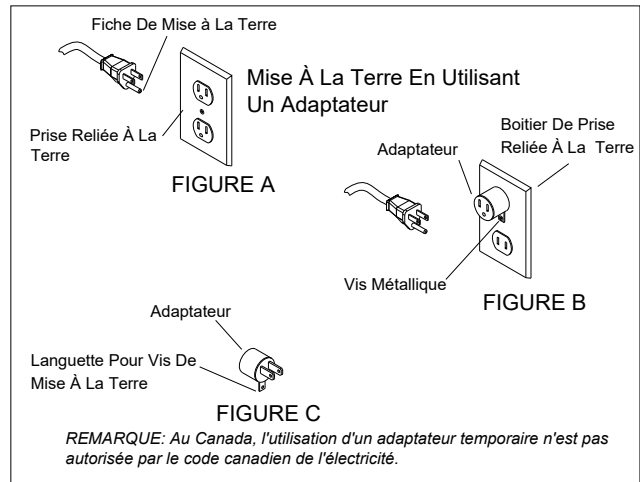
### Rallonges :

En cas d'utilisation d'une rallonge, la taille du cordon doit être au moins d'une taille plus grosse que le cordon sur l'appareil et il ne doit pas faire plus de 15,5 m de long.

### Consignes De Mise À La Terre :

Cet appareil doit être relié à la terre. En cas de mauvais fonctionnement ou de panne, le fait d'être relié à la terre confère un chemin de moindre résistance pour le courant électrique, afin de réduire le risque d'électrocution. Cet appareil est doté d'un cordon qui comporte un conducteur de terre d'équipement et d'une fiche de terre. La fiche doit être insérée dans une prise murale appropriée, correctement installée et reliée à la terre en conformité avec l'ensemble des codes et des décrets en vigueur sur le plan local

Cet appareil est destiné à être utilisé sur un circuit nominal de 120 volts, et possède une fiche mise à la terre qui ressemble à la fiche de la « Fig. UN". Un adaptateur temporaire qui ressemble à l'adaptateur dans "Figure. C" peut être utilisé pour connecter cette fiche à une prise prise comme indiqué dans la « Fig. B", si un connecteur correctement mis à la terre la prise n'est pas disponible. L'adaptateur temporaire doit être utilisé uniquement jusqu'à ce qu'une prise correctement mise à la terre (Fig. A) peut être installée par un électricien qualifié. Le vert oreille, cosse ou fil rigide coloré s'étendant du l'adaptateur doit être connecté à une terre permanente comme un couvercle de boîte de sortie correctement mis à la terre. Chaque fois que l'adaptateur est utilisé, il doit être maintenu en place par une vis métallique.



## ⚠ AVERTISSEMENT:

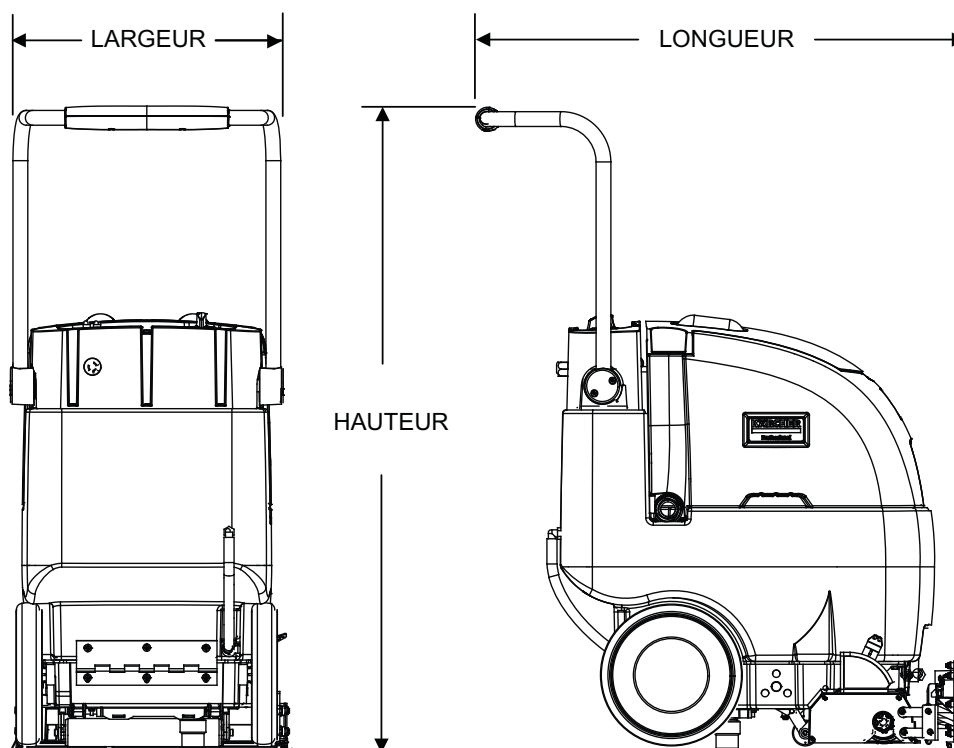
**Le raccordement incorrect du conducteur de terre d'équipement peut entraîner des risques d'électrocution. Vérifiez auprès d'un électricien qualifié ou d'un responsable de l'entretien si vous avez quelque doute que ce soit quant au raccordement à la terre de votre prise murale. Ne modifiez pas la fiche fournie avec l'appareil : si elle ne correspond pas à la prise murale, faites installer une prise adéquate par un électricien qualifié. Utilisez-le uniquement sur des réceptacles protégés GFCI.**



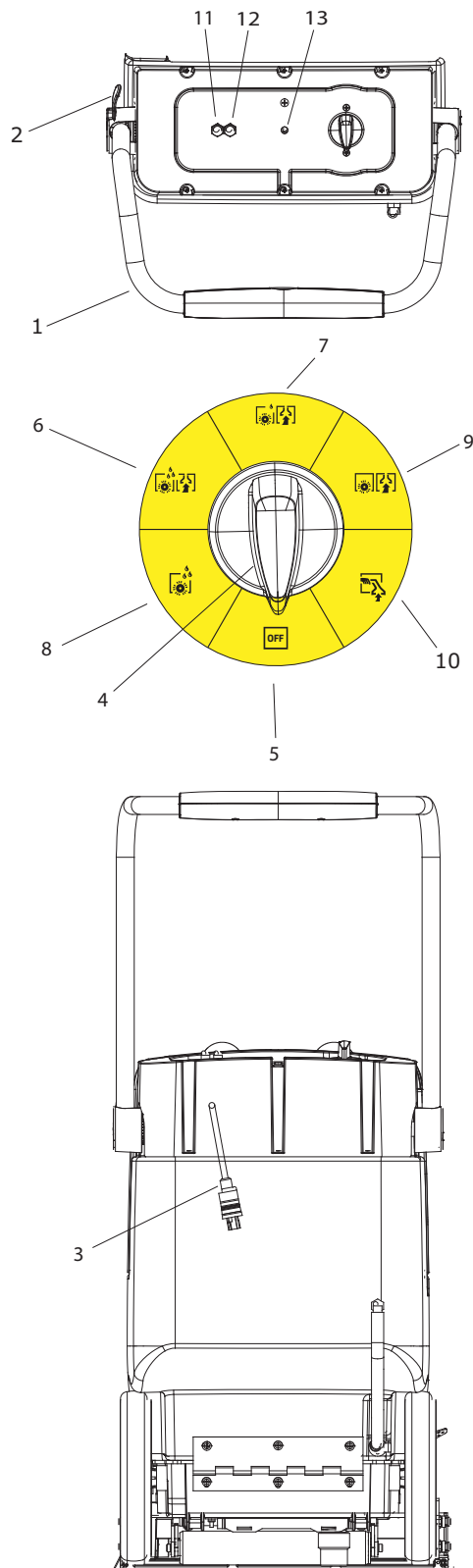
## Opérations

### Spécifications Techniques

ARTICLE	MESURE	
	1.008-160.0 - Admiral X	1.008-161.0 - Admiral XL
Modèle	1.008-160.0 - Admiral X	1.008-161.0 - Admiral XL
Poids	108 lbs (49 kg)	126 lbs (57.2 kg)
Longueur	33 pouces (83.8 cm)	33pouces (83.8 cm)
Hauteur	42.5 pouces (107.9 cm)	45 pouces (114.3 cm)
Largeur	19.5 pouces (49.5 cm)	22pouces (55.9 cm)
Roues	2x 10 inch dia. (25 cm) roues de 2 pouces	2x 10 inch dia. (25 cm) wheels by 2 inches
Solution Pulvérisée	4 Jets à Changement Rapide	4 Jets à Changement Rapide
Câble d'alimentation	50 ft (12.7 m) (14 jauge)	50 ft (12.7 m) (14 jauge)
Chaussure à Vide	16 pouces en plastique moulé par injection avec pression vers le bas à ressort	18 ipouces en plastique moulé par injection avec pression vers le bas à ressort
Électrique	115V, 15 A, 60 Hz	115V, 15 A, 60 Hz
Moteur d'aSpiration Électrique	3 étapes, 1 hp, 99 cfm (2.80 mètres cubes/min.), Waterlift 117 inches (297 cm)	3 étapes, 1 hp, 99 cfm (2.80 mètres cubes/min.), Waterlift 117 inches (297 cm)
Brosse	16 pouces (40.64 cm)	18 pouces (45.7 cm)
Vitesse de la Brosse	1000 tr/min	1000 tr/min
Pompe à Solution	100 PSI, Style diaphragme, bypass interne	100 PSI, Style diaphragme, bypass interne
Capacité de la Solution	9 gallons (34.07 ltr)	12 gallons (45.5 ltr)
Capacité de Récupération	6.5 gallons (24.61 ltr)	9.25 gallons (35.01 ltr)

**⚠ ATTENTION:**

Cet appareil n'est pas prévu à l'usage des personnes (enfants y compris) avec des possibilités physiques, sensorielles ou mentales réduites, ou le manque d'expérience et de connaissance, à moins qu'ils aient été donnés la surveillance ou l'instruction au sujet de l'utilisation de l'appareil par une personne chargée de leur sûreté. Des enfants devraient être dirigés pour s'assurer qu'ils ne jouent pas avec l'appareil.

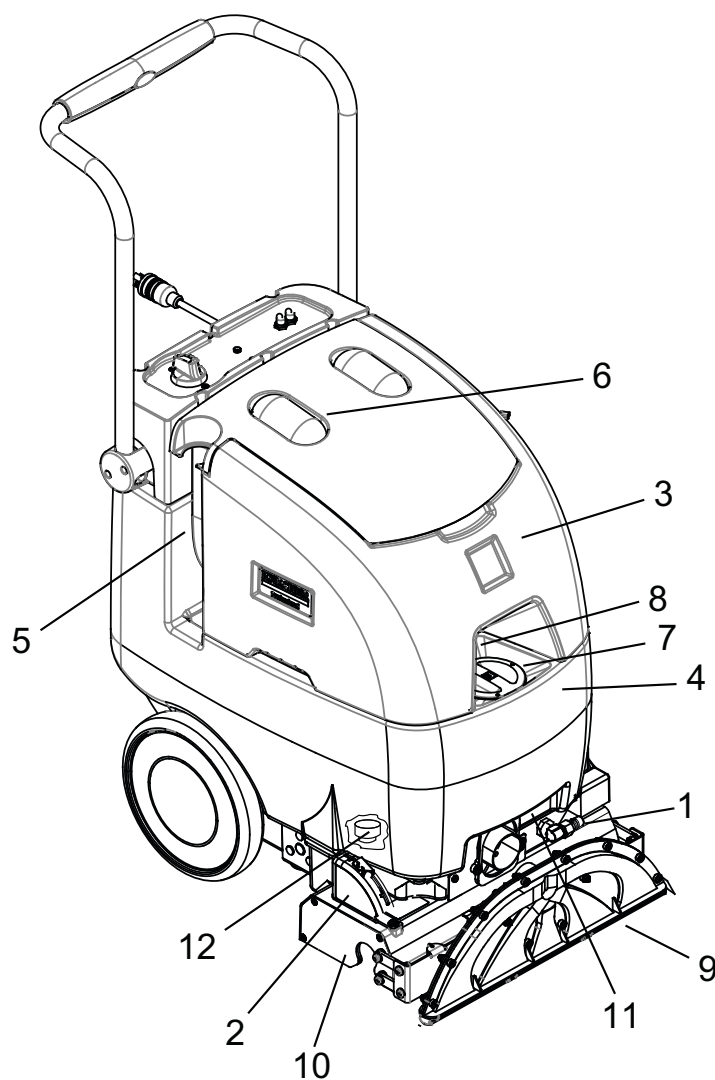


## Emplacements des Contrôles

1. **Poignée principale** : utilisée pour tirer et manœuvrer la machine.
2. **Réglage de la poignée** : utilisé pour régler la hauteur de la poignée.
3. **Cordon Électrique.**
4. **Commutateur de Mode Rotatif** :
5. **Arrêt** : éteint la machine
6. **Deep Extract** : Ce mode est utilisé pour une extraction en profondeur du tapis. La pompe, le moteur d'aspirateur et le moteur de la brosse vont tous se mettre en marche. Lorsque la gâchette est enfoncée, l'électrovalve d'extraction en profondeur s'ouvrira et la solution sera distribuée au volume maximum.
7. **Mode Eco! (faible humidité)** : Ce mode est utilisé pour améliorer le temps de fonctionnement et l'efficacité. La pompe, le moteur d'aspirateur et le moteur de la brosse vont tous se mettre en marche. Lorsque la gâchette est enfoncée, l'électrovalve de faible humidité s'ouvrira et la solution sera distribuée dans un volume réduit.
8. **Double Scrub** : Ce mode est utilisé pour enlever les taches des surfaces très souillées. La pompe et le moteur de la brosse vont se mettre en marche. Il n'y aura aucune aspiration ou récupération dans ce mode. Lorsque la gâchette est enfoncée, l'électrovalve d'extraction en profondeur s'ouvrira et la solution sera distribuée au volume maximum.
9. **Vac Only** : Ce mode est utilisé pour la récupération de la solution. Le moteur d'aspirateur et le moteur de la brosse vont se mettre en marche. Aucune solution ne s'écoule dans ce mode même lorsque la gâchette est enfoncée.
10. **Accessory Tool** : Ce mode est utilisé pour le nettoyage des meubles rembourrés. La pompe et le moteur d'aspirateur vont se mettre en marche. Lorsque la gâchette sur la lance des accessoires est enfoncée, la solution s'écoulera.
11. **Disjoncteur du Moteur de la Brosse**. 6 amp.  
Disjoncteur protégeant le moteur de la brosse.
12. **Disjoncteur du Moteur de sous vide** 15 amp.  
Disjoncteur du moteur de sous vide.
13. **Témoin lumineux Smart Speed** : Fournit de la rétroaction sur la vitesse de nettoyage à l'utilisateur pour assurer un nettoyage optimal. Le témoin lumineux est uniquement activé dans les modes durant lesquels la pompe est activée. Le témoin lumineux restera allumé en vert en continu lorsque la machine est opérée à une vitesse optimale. Si la machine est opérée trop lentement, le témoin lumineux clignotera lentement en rouge. Si la machine est opérée trop rapidement, le témoin lumineux clignotera rapidement en rouge.

## Composants

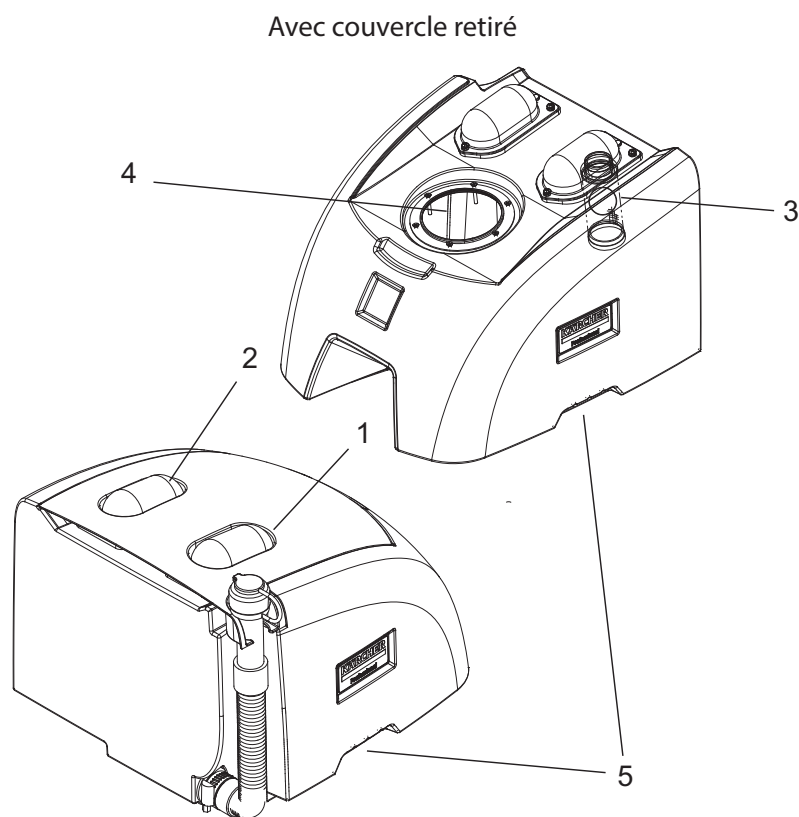
1. **Branchement des outils accessoires pour la solution.** Utilisé pour différents outils de nettoyage auxiliaires..
2. **Ajustement de la hauteur de la brosse.** Utilisé pour régler la hauteur de la brosse de la position de rangement aux hauteurs de tapis à poils longs et à poils ras.
3. **Réservoir de récupération.** Utilisé pour récupérer la solution de nettoyage souillée.
4. **Réservoir à solution.** Utilisé pour contenir la solution de nettoyage.
5. **Tuyau de décharge de solution.** Facilite la vidange de l'excès de solution de nettoyage depuis le réservoir à solution.
6. **Dôme du Réservoir de Récupération.**
7. **Couvercle du Réservoir de Solution.**
8. **Tuyau de Remplissage du Réservoir de Solution.**
9. **Chaussure à Vide.**
10. **Boîtier de Brosse.**
11. **Poignée de Levage Avant.**
12. **Filtre de Solution de Nettoyage.**
13. **Tuyau de Décharge de Récupération.** Facilite la vidange de la solution de nettoyage souillée.



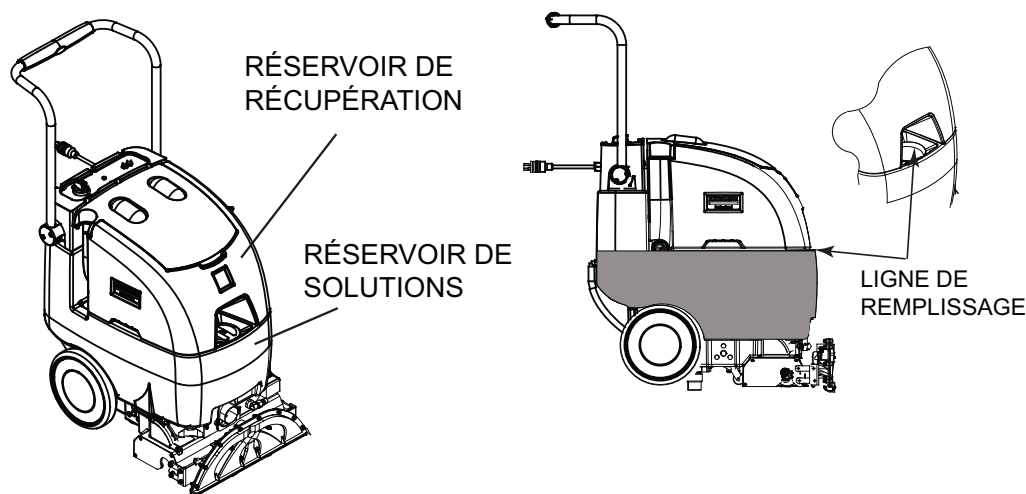
## Opérations

### Composants - Réservoir de Récupération

1. Couvercle D'admission de Solution
2. Couvercle D'admission à Vide
3. Arrêt par Flotteur
4. Ouverture de Nettoyage
5. Poignée de Levage







### Remplissage de l'Admiral X / Admiral XL

Remarques : Utiliser un seau d'eau propre pour remplir le réservoir à solution.

## **⚠ ATTENTION:**

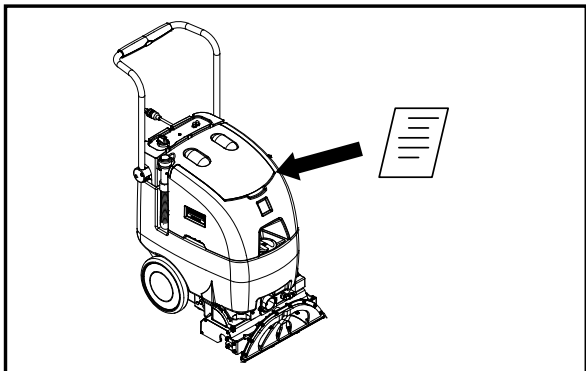
Ne pas mettre d'antimousse, de solvants, de détacheur ou de produits chimiques de prépulvérisation dans le réservoir à solution.

Ne pas laisser l'eau se déverser dans l'entrée du moteur de l'aspirateur. Essuyer tout écoulement dans le haut du réservoir à solution avant de remettre le réservoir de récupération en place.

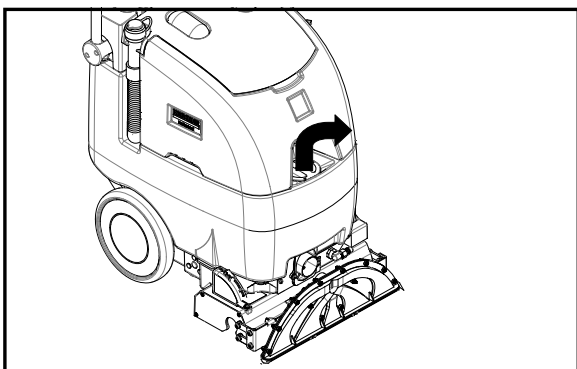
Produits Chimiques Appropriés	Produits Chimiques non Compatibles
Alcalis	Aldéhydes
Détergents	Hydrocarbures aromatiques
Hydroxydes	Butyles SP
Savons	Le tétrachlorure de carbone
Vinaigre	Clorox*
	Agents de blanchiment chlorés
	Hydrocarbures chlorés
	Lysol*
	Méthyléthel cétone (MEK)
	Perchoréthylène (perc)
	Phénoliques
	Trichloréthylène
	D-Limonène

\* Noms des Marques de Produits

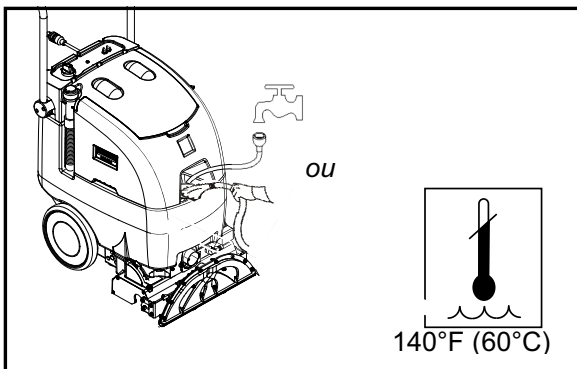
## Opérations



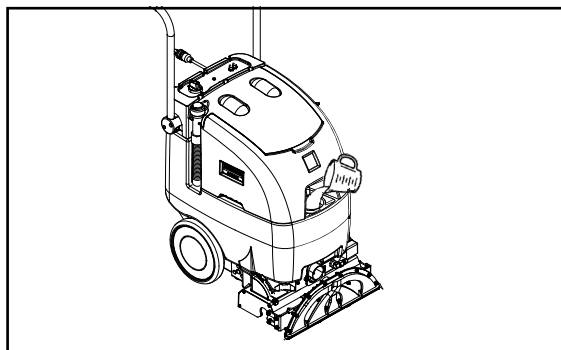
1. Retirer le cordon électrique et la documentation du réservoir de récupération.



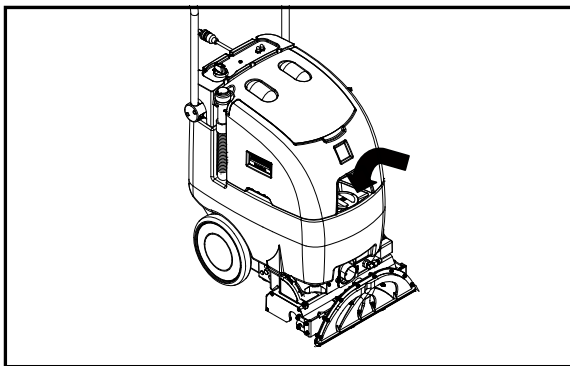
2. Retirer le couvercle du réservoir à solution.



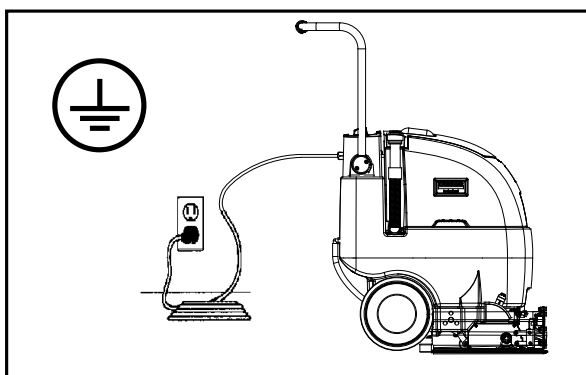
3. Remplir le réservoir à solution de 34,1 l (9 gallons) d'eau pour Admiral X ou 45,5 l (12 gallons) d'eau pour Admiral XL, dont la température n'est pas supérieure à 60 °C (140 °F).



4. Ajouter 266 à 532 ml (9 à 18 oz) de produit chimique de nettoyage pour l'Admiral X. Ajouter 356 à 711 ml (12 à 24 oz) de produit chimique de nettoyage pour l'Admiral XL. Remettre le couvercle du réservoir à solution en place. Brancher le cordon dans une prise mise à la terre.

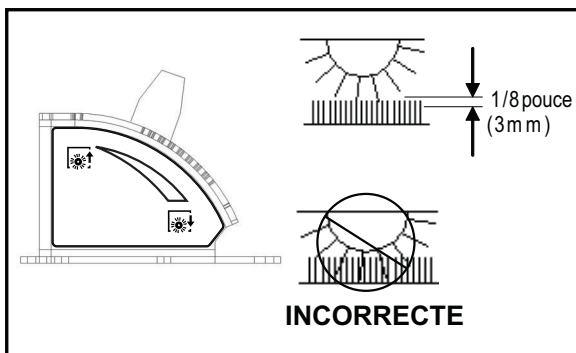


5. Remplacer le couvercle du réservoir de solution.



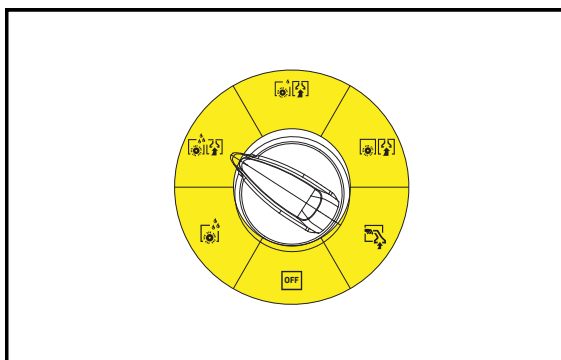
## Fonctionnement des Machines

1. Branchez le cordon dans une prise mise à la terre.



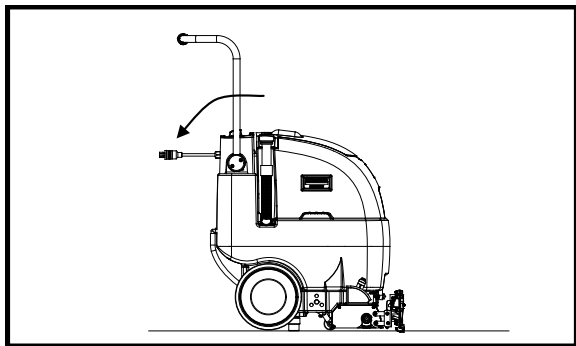
2. Ajuster la brosse au réglage de hauteur approprié au type de tapis à poils longs ou à poils ras.

*Remarques : Pour obtenir un bon fonctionnement, la brosse doit frôler le tapis. Si le disjoncteur se déclenche, relever la brosse pour éviter d'endommager le moteur ou le tapis.*

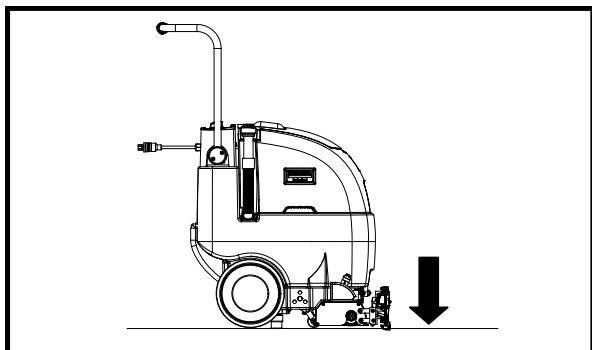


3. Tourner le commutateur rotatif en mode « Deep Extract » (extraction en profondeur) avec la brosse, l'aspirateur et la pompe en marche.

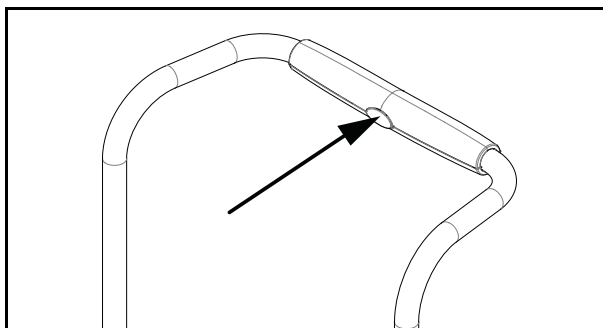
## Opérations



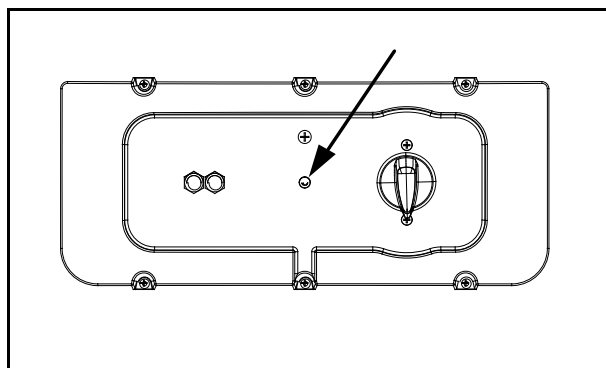
4. Ajuster la poignée à une position de fonctionnement confortable. Incliner la machine vers l'arrière en utilisant la poignée principale pour déplacer la machine vers le point de départ.



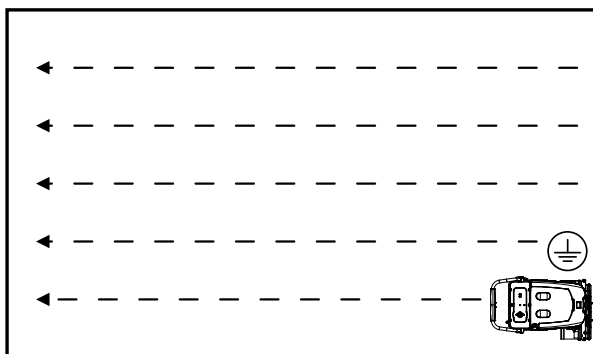
5. Abaisser la machine au plancher.



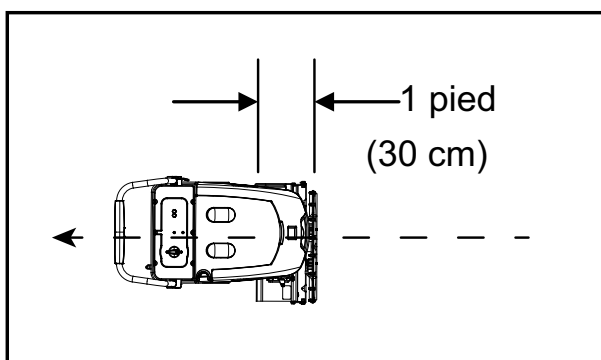
6. Pour activer le flux d'eau, l'opérateur doit appuyer sur le commutateur sur la poignée et le maintenir enfoncé.



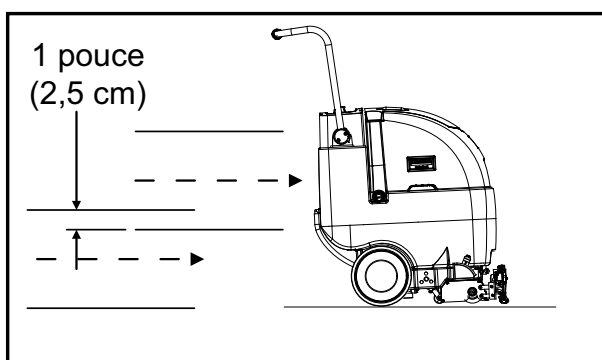
7. Pendant le nettoyage, le témoin lumineux Smart Speed fournira de la rétroaction à l'utilisateur pour assurer un nettoyage optimal. Le témoin lumineux est uniquement activé dans les modes durant lesquels la pompe est activée. Au début du passage de nettoyage, le témoin lumineux Smart Speed s'allumera. Le témoin lumineux restera allumé en vert en continu lorsque la machine est opérée à une vitesse optimale. Si la machine est opérée trop lentement, le témoin lumineux clignotera lentement en rouge. Si la machine est opérée trop rapidement, le témoin lumineux clignotera rapidement en rouge. La vitesse de nettoyage devrait être ajustée en conséquence pour assurer un nettoyage optimal.

**Procédure de Nettoyage**

1. Commencer au niveau du mur le plus près d'une prise de courant. Pour les petites superficies, tirer directement vers l'arrière sans pousser vers le bas sur la poignée.



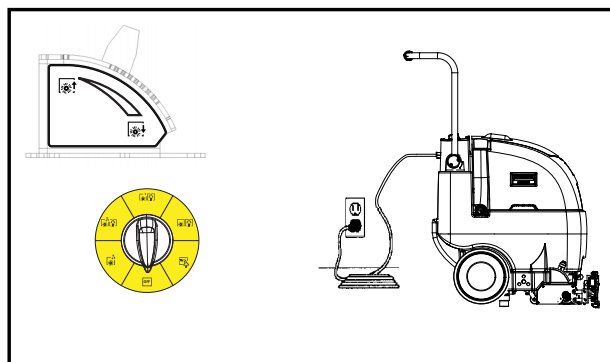
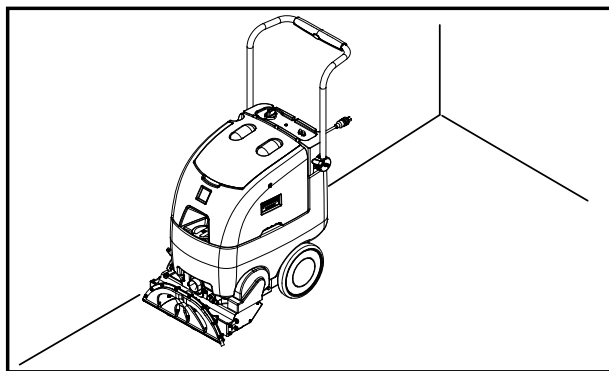
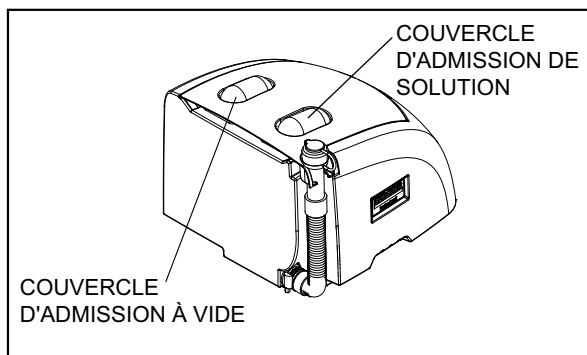
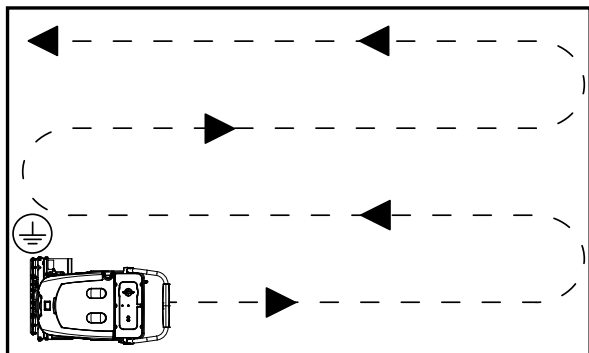
2. Relâcher les commutateurs de la gâchette environ 0,3 m (1 pied) avant la fin du passage de nettoyage.



3. Pousser vers le bas sur la poignée pour relever le sabot d'aspiration et la brosse avant de passer au passage de nettoyage suivant. Chevaucher la zone de contact de la brosse d'environ 25 cm (1 po).

## Opérations

### Procédure de nettoyage - suite



4. Commencer au niveau du mur le plus près d'une prise de courant. Pour les grandes surfaces, utiliser la machine en faisant des courses parallèles, en chevauchant le parcours de la brosse. Nettoyer le périmètre en dernier.

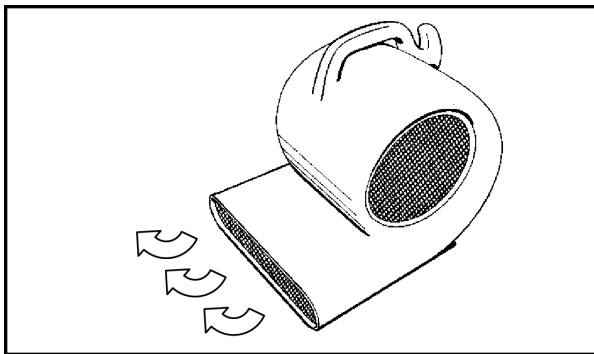
5. Pendant le fonctionnement, observer ce qui suit : L'Amiral est équipé de couvercles internes en plastique pour permettre à l'utilisateur de voir la solution souillée et le débit d'air d'aspiration. Pendant le fonctionnement, observer le couvercle de l'entrée d'aspiration. De grandes quantités d'eau ou de mousse qui pénètrent dans le système d'aspiration peut endommager le moteur d'aspiration.

*Remarques : Si l'une ou l'autre des conditions est observée, arrêter immédiatement la machine.*

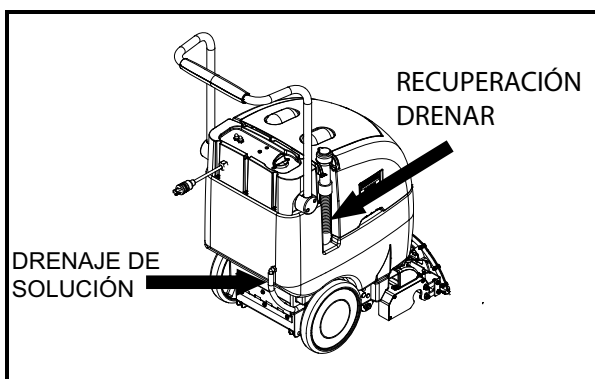
Vider le réservoir de récupération et/ou ajouter de l'agent antimousse au réservoir de récupération.

6. Utiliser le côté droit de la machine pour nettoyer le long des murs.

7. Après le nettoyage, tourner le commutateur rotatif à la position off (arrêt), remettre la brosse en position de rangement, puis débrancher prudemment la machine.



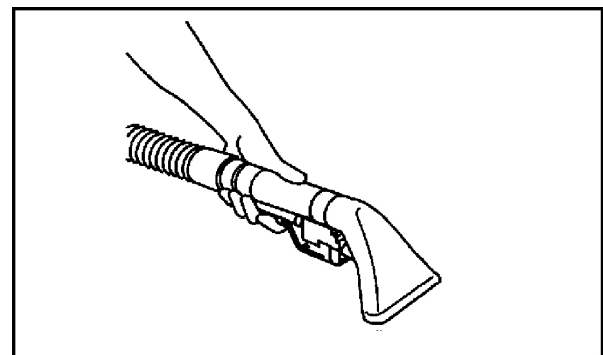
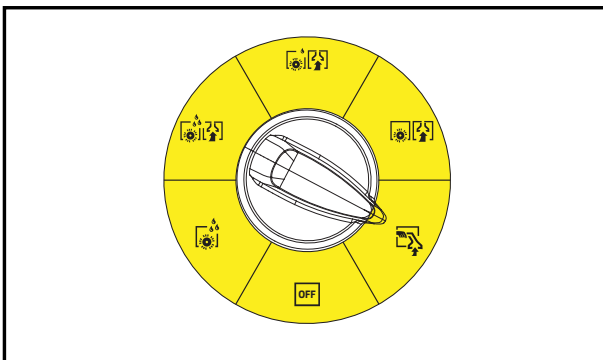
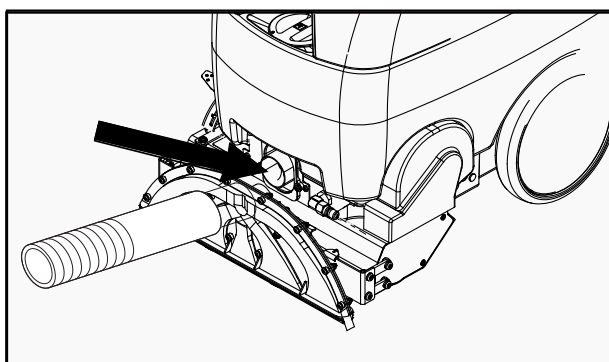
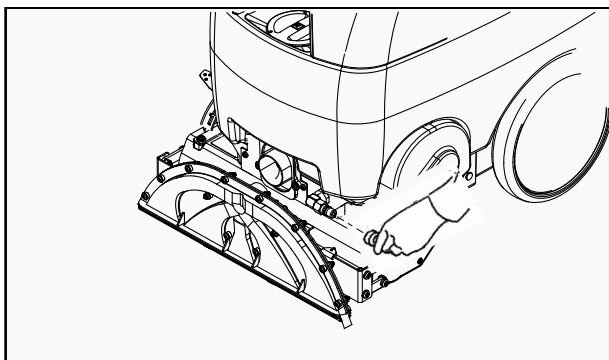
8. Pour accélérer le séchage, utiliser un ventilateur diffuseur d'air.



9. Vider le réservoir de récupération en relâchant le tuyau de vidange. Utiliser un boyau avec de l'eau froide pour nettoyer le réservoir de récupération. Vider le réservoir à solution après chaque utilisation.

## Opérations

### Utilisation des Outils Accessoires



Utiliser uniquement l'un des outils accessoires acceptables suivants.

8.600-061.0 - LANCE STANDARD  
8.600-060.0 - LANCE PROFESSIONNELLE DELUXE  
8.603-154.0 - TUYAU ASM, CST OUTIL À MAIN U19821

1. Tirer sur le collier, puis insérer sur le raccord monté sur la machine, puis relâcher le collier pour verrouiller en place.

2. Déconnecter le tuyau du sabot d'aspiration, puis insérer la manchette de tuyau de 3,8 cm (1,5 po) dans la manchette de tuyau de la machine.

3. Tourner le commutateur rotatif à mode Accessory (accessoires).

*Remarques : S'assurer que la brosse se trouve en position de rangement*

4. Serrer la poignée sur l'outil accessoire pour commencer à nettoyer.



**Calendrier des Services**

Entretien	Tous les jours	Hebdomadaire	Trimestriel
Vérifier que les cordons de la machine ne sont pas endommagés.	*		
Vérifier que le dôme de récupération et le joint ne sont pas endommagés et qu'ils sont propres.	*		
Vérifier la brosse - elle devrait être propre sans aucune charpie ou ficelle présente.	*		
Inspecter le sabot d'aspiration à la recherche de blocage. Retirer les fibres ou les débris en rinçant le sabot d'aspiration sous l'eau d'un robinet, en séparant le sabot d'aspiration en deux pour les plus gros débris.	*		
Vérifier si les tuyaux sont usés, bouchés ou endommagés.	*		
Vérifier si les poignées, les commutateurs et les boutons sont endommagés.	*		
Vérifier le filtre d'aspiration du moteur d'aspiration, puis le nettoyer.	*		
Faire circuler 3,8 l (1 gallon) d'eau à travers le système.	*		
Nettoyer le réservoir de récupération, puis vérifier que le robinet à flotteur se déplace librement.	*		
Nettoyer le réservoir à solution, puis retirer et nettoyer le tamis d'admission de l'aspiration.	*		
Nettoyer l'extérieur des réservoirs et vérifier l'absence de dommages.	*		
Faire fonctionner le moteur d'aspiration pendant au moins une minute pour permettre d'assécher le moteur.	*		
Ranger avec le dôme retiré du réservoir pour permettre d'assécher le moteur.	*		
Nettoyer tout débris de l'encodeur rotatif et du porte-aimant.	*		
Vérifier que tous les roulements fonctionnent sans bruit.		*	
Vérifier que tous les joints ne sont pas usés et qu'ils ne fuient pas.		*	
Vérifier que le tamis d'admission de l'aspiration n'est pas endommagé; le remplacer au besoin.		*	
Vérifier la pression de la pompe; observer la forme du jet, puis vérifier avec un manomètre le cas échéant.		*	
Vérifier et nettoyer le tamis de la solution.		*	
Vérifier l'usure des courroies et les remplacer le cas échéant.		*	
Vérifier que la brosse n'est pas usée; s'assurer que les poils ne sont pas endommagés.		*	
Vérifier que les câbles ne sont pas effilochés.		*	
Vérifier que le tube injecteur (collecteur) est exempt de dommages; le remplacer s'il est brisé ou courbé.		*	
Vérifier l'état du sabot d'aspiration et du châssis, et s'assurer qu'ils ne sont pas endommagés.		*	
Vérifier les performances globales de la machine.		*	
Vérifier les brosses de carbone du moteur d'aspiration.			*

### Entretien Périodique

Deux fois par mois, faire circuler une solution de vinaigre blanc (un quart de vinaigre pour deux gallons d'eau) ou une solution anti-brunissement (mélangée selon les directives) dans l'essoreuse pour la rincer. Cela permettra d'empêcher l'accumulation de résidus alcalins dans le système. Si le jet de pulvérisation se bouche, retirer les buses de pulvérisation, bien les laver, puis les sécher avec de l'air.

*Remarques : Ne pas utiliser d'aiguille, de fil, etc, pour nettoyer les buses, car cela risquerait de détruire la forme du jet.*

Inspecter périodiquement tous les tuyaux, les câbles électriques et les connexions de la machine. Les tuyaux effilochés ou fissurés doivent être remplacés pour éviter la perte de pression d'aspiration ou de la solution. Si l'isolation du câble est cassée ou effilochée, la réparer ou la remplacer immédiatement. Ne pas prendre de risques d'incendie ou de choc électrique.

### Entretien quotidien/régulier

Avant de faire des ajustements ou des réparations à la machine, débrancher le cordon d'alimentation de la source électrique.

1. Vider la solution de nettoyage non utilisée du réservoir à solution. Le tuyau de vidange de la solution se trouve du côté arrière droit de la machine depuis la position de l'opérateur.
2. Inspecter et nettoyer la crépine dans le réservoir à solution.
3. Rincer le système de pompage avec 4 à 7 litres d'eau chaude propre.
4. Après chaque utilisation, rincer le réservoir à l'eau froide. Inspecter périodiquement le réservoir de récupération et le décontaminer le cas échéant en utilisant un virucide pour hôpitaux ou une solution 1:10 d'eau de Javel et d'eau. Les eaux usées doivent être éliminées de manière appropriée.
5. Vérifier si de la charpie ou des débris sont présents autour du sabot d'aspiration.
6. Vérifier les jets de pulvérisation pour la présence d'une forme du jet complète.
7. Enlever l'accumulation de charpie ou de saleté de la brosse et du boîtier.

*Remarques : Retrait de la brosse.*

- a. Débrancher toutes les sources d'alimentation.
  - b. Vider le réservoir de récupération.
  - c. Incliner la machine vers l'arrière.
  - d. Presser sur l'embout de la brosse, puis vers le bas.
  - e. L'ensemble de la brosse et l'embout devraient tomber. Tirer ensuite vers le bas sur la brosse suffisamment loin pour dégager la partie inférieure du boîtier.
  - f. Retirer la brosse avec un mouvement de va-et-vient pour libérer la brosse du moyeu d'entraînement.
  - g. Vérifier l'usure du rouleau à brosses, et le remplacer lorsque la brosse n'est plus capable d'empêcher l'avant du pont de toucher le sol.
  - h. Vérifier si l'embout et le palier tourne librement et en douceur. Nettoyer et remplacer le cas échéant.
8. Vérifier que le tamis de l'air de refroidissement (situé sur le cadre derrière la roue gauche) est exempt de charpie et de débris.
  9. Vérifier que le flotteur et le tamis d'arrêt, et les nettoyer le cas échéant.
  10. Vérifier que les extrémités du rouleau sont exemptes de débris et les nettoyer le cas échéant.
  11. Enlever l'accumulation de charpie ou de saleté du sabot d'aspiration. Rincer le sabot d'aspiration au besoin en versant de l'eau propre à travers le sabot d'aspiration.

*Remarques : Retrait du sabot d'aspiration :*

- a. Pour retirer le sabot d'aspiration, soulever les deux leviers de déverrouillage à l'arrière du sabot d'aspiration, puis retirer directement de la machine. Débrancher le tuyau de récupération du sabot d'aspiration.
- b. Pour installer le sabot d'aspiration, fixer le tuyau de récupération au sabot d'aspiration. Aligner le montant sur le support du sabot d'aspiration avec la poche correspondante sur le sabot d'aspiration. Pousser le sabot d'aspiration sur le montant jusqu'à ce que les leviers sur le sabot d'aspiration soit solidement fixé au support du sabot d'aspiration. Vérifier que le sabot d'aspiration est correctement fixé en tirant délicatement sur le sabot d'aspiration pour s'assurer qu'il ne se détache pas.

*Remarques : Toujours ranger la machine avec la brosse en position « Store » (rangement)*

## Remplacement du Moteur d'Aspiration

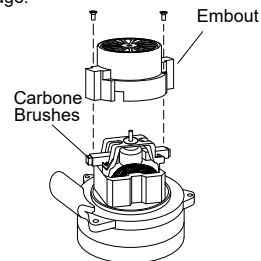
### **⚠ AVERTISSEMENT:**

Seul le personnel d'entretien qualifié peut effectuer des réparations.

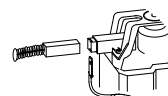
1. Éteindre tous les interrupteurs et débrancher la machine.
2. Retirer le réservoir de récupération.
3. Retirer les (2) vis qui retiennent le réservoir à solution au cadre, puis incliner le réservoir pour exposer l'intérieur du cadre.
4. Trouver les fils du moteur d'aspiration, puis les déconnecter au niveau du connecteur. Fermer le réservoir à solution.
5. Retirer les (6) vis retenant le couvercle du moteur d'aspiration au réservoir à solution.
6. Retirer le moteur d'aspiration.
7. Procéder à l'inverse pour installer le moteur d'aspiration.

## Remplacement des Balais de Charbon du Moteur d'aspiration

**AVERTISSEMENT:** Le fil à la terre vert doit être attaché pour un fonctionnement en toute sécurité. Voir le schéma de câblage.

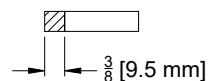


Si le collecteur d'induit est rainuré, extrêmement piqué ou non concentrique, le moteur devra être remplacé ou envoyé à un centre de service qualifié.



**Important:**

Ces brosses s'usent plus rapidement à mesure que leur longueur diminue en raison de l'augmentation de la chaleur. Le ressort à l'intérieur du boîtier des balais endommagera le moteur si les balais s'usent complètement.



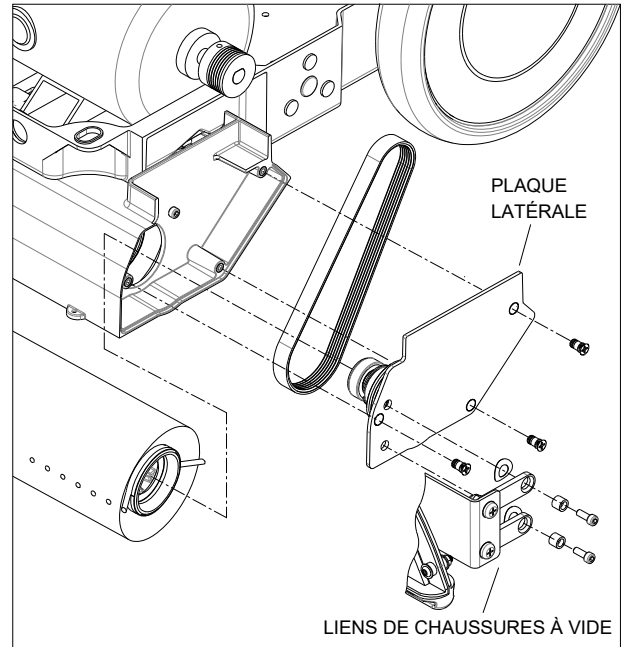
Vérifiez périodiquement la longueur des balais de charbon. Remplacez les deux balais de charbon lorsque l'un d'eux mesure moins de 3/8 po (9,5 mm) de long.

### Remplacement de la Courroie

#### **⚠ AVERTISSEMENT:**

Seul le personnel d'entretien qualifié peut effectuer des réparations.

1. Éteindre tous les interrupteurs et débrancher la machine.
2. Retirez le réservoir de récupération et la brosse.
3. Retirer les (2) vis qui retiennent le réservoir à solution au cadre, puis incliner le réservoir vers l'arrière pour exposer l'intérieur du cadre.
4. Desserrer les (4) vis qui retiennent le moteur de la brosse en place, puis glisser le moteur vers l'avant pour relâcher la tension dans la courroie.
5. Retirer les (2) vis qui retiennent les liens du sabot d'aspiration au boîtier de la brosse.
6. Retirer les (3) vis qui retiennent la plaque latérale au boîtier de la brosse pour retirer la courroie.
7. Procéder à l'inverse pour installer la courroie.

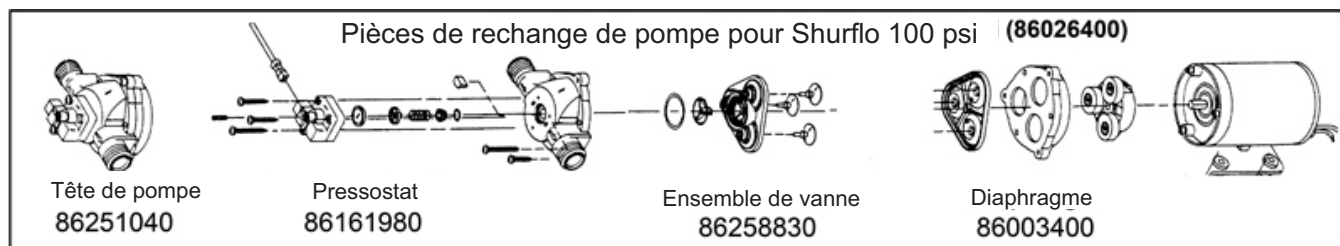


## Remplacement de la Pompe à Solution

**⚠️ AVERTISSEMENT:**

Seul le personnel d'entretien qualifié peut effectuer des réparations.

1. Éteindre tous les interrupteurs et débrancher la machine.
2. Retirer le réservoir de récupération.
3. Retirer les (2) vis qui retiennent le réservoir à solution au cadre, puis incliner le réservoir vers l'arrière pour exposer l'intérieur du cadre.
4. Retirer les tuyaux à solution des raccords dans la pompe.
5. Retirer les (2) vis qui retiennent la pompe au cadre.
6. Procéder à l'inverse pour installer la pompe.



**Dépannage**

<b>PROBLÈME</b>	<b>CAUSE</b>	<b>SOLUTION</b>
Pas de courant, rien ne fonctionne	Le cordon est-il branché ?	Branchez le cordon.
	Le disjoncteur s'est déclenché dans le bâtiment.	Réinitialisez le disjoncteur.
	Interrupteur défectueux.	Appelez pour du service.
	Cordon d'alimentation ou tresse défectueux.	Appelez pour du service.
Le moteur d'aspiration ne fonctionne pas.	Le disjoncteur à vide s'est déclenché.	Réinitialisez le disjoncteur.
	Vacuostat principal défectueux.	Appelez pour du service.
	Câblage lâche.	Appelez pour du service.
	Moteur d'aspirateur défectueux.	Appelez pour du service.
Le moteur d'aspiration fonctionne mais l'aspiration est mauvaise	Des débris se sont logés dans la chaussure de l'aspirateur.	Retirez les débris de la chaussure de l'aspirateur.
	Joint de dôme défectueux ou manquant.	Remplacez si nécessaire.
	Tuyau d'aspiration fissuré ou manchon de tuyau desserré.	Remplacez ou réparez si nécessaire.
	Réservoir de récupération plein / flotteur bloqué en position haute.	Éteignez le moteur de l'aspirateur. Réservoir de récupération de vidange et de rinçage.
Débit d'eau faible ou inexistant (le tapis présente des stries)	Arrêt de la pompe principale.	Allumer
	Jets bouchés ou manquants.	Nettoyer avec une solution de vinaigre/eau ou remplacer.
	Filtre à solution obstrué.	Vider le réservoir de solution et nettoyer le filtre à solution.
	Solénoïde défectueux.	Appelez pour du service.
La brosse ne tourne pas	Arrêt de la brosse.	Allumez l'interrupteur de la brosse.
	Le disjoncteur des balais s'est déclenché.	Réinitialisez le disjoncteur.
	Courroie de brosse cassée.	Remplacez si nécessaire.
	Moteur de brosse défectueux.	Appelez pour du service.

**Pièces de Rechange Suggérées**

<b>NUMÉRO DE PIÈCE..</b>	<b>DESCRIPTION</b>	<b>EN SÉRIE #</b>	<b>REMARQUES</b>
86001100	BELT, 180J6 MICRO-V		Brush Assembly
86004570	JET BODY, MINI PROMAX BODY		Pump
86241680	JET, MINI PROMAX 9503		Pump
86012550	JET, PROMAX, 11001		Pump
86003630	FLOAT, SHUT-OFF		Recovery Tank
86397190	DOME, CLEAR, RECOVERY		Recovery Tank
86007970	STRAINER, 3/8 IN. NPT 60 MESH		Solution Tank
86135320	BRUSH SET, 120V VAC, WINDSOR		Solution Tank



# THANK YOU!

## MERCI! ¡GRACIAS! DANKE!



Register your product and benefit from many advantages.

Enregistrez votre produit et bénéficiez de nombreux avantages.

Registre su producto y aproveche de muchas ventajas.

Registrieren Sie Ihr Produkt und Sie von vielen Vorteilen.

[www.kaercher.com/welcome](http://www.kaercher.com/welcome)

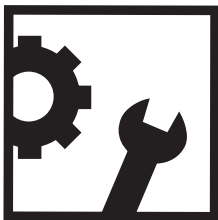


Rate your product and tell us your opinion.

Évaluez votre produit et donnez-nous votre opinion.

Reseña su producto y díganos su opinión.

Bewerten Sie Ihr Produkt und sagen Sie uns Ihre Meinung.



[www.kaercher.com/dealersearch](http://www.kaercher.com/dealersearch)

**Kärcher North America**  
6398 N Kärcher Way  
Aurora, CO 80019  
Phone: +1 800 444-7654

