

KM 70/30 C Bp Pack

English	4
Français	11
Español	19

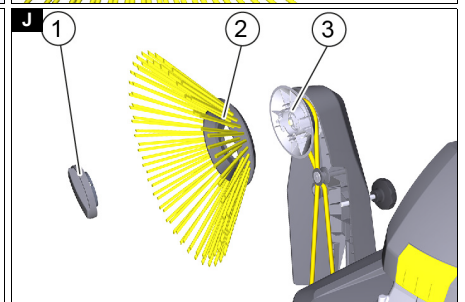
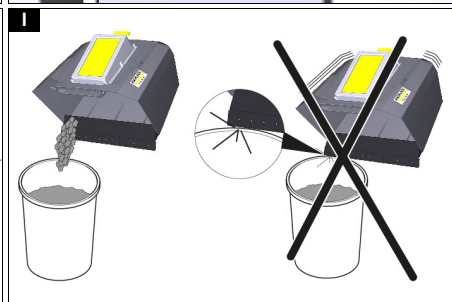
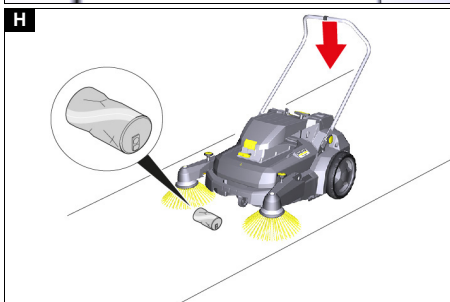
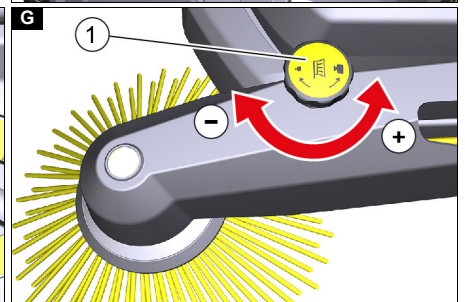
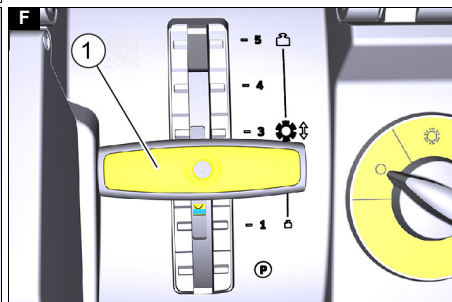
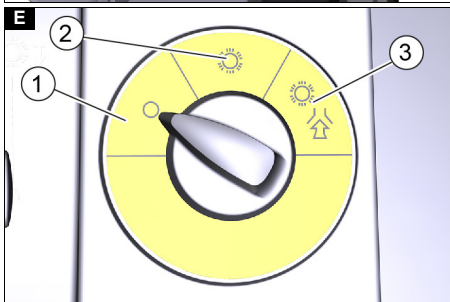
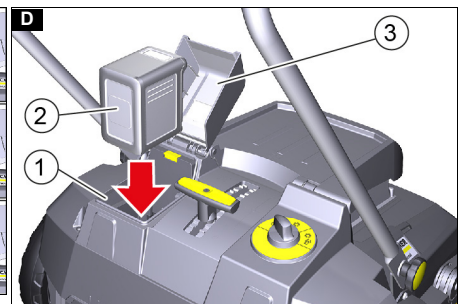
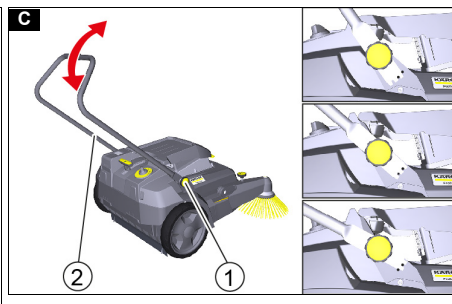
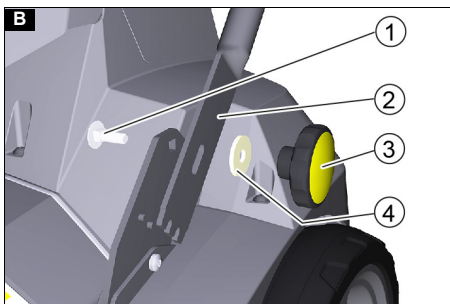
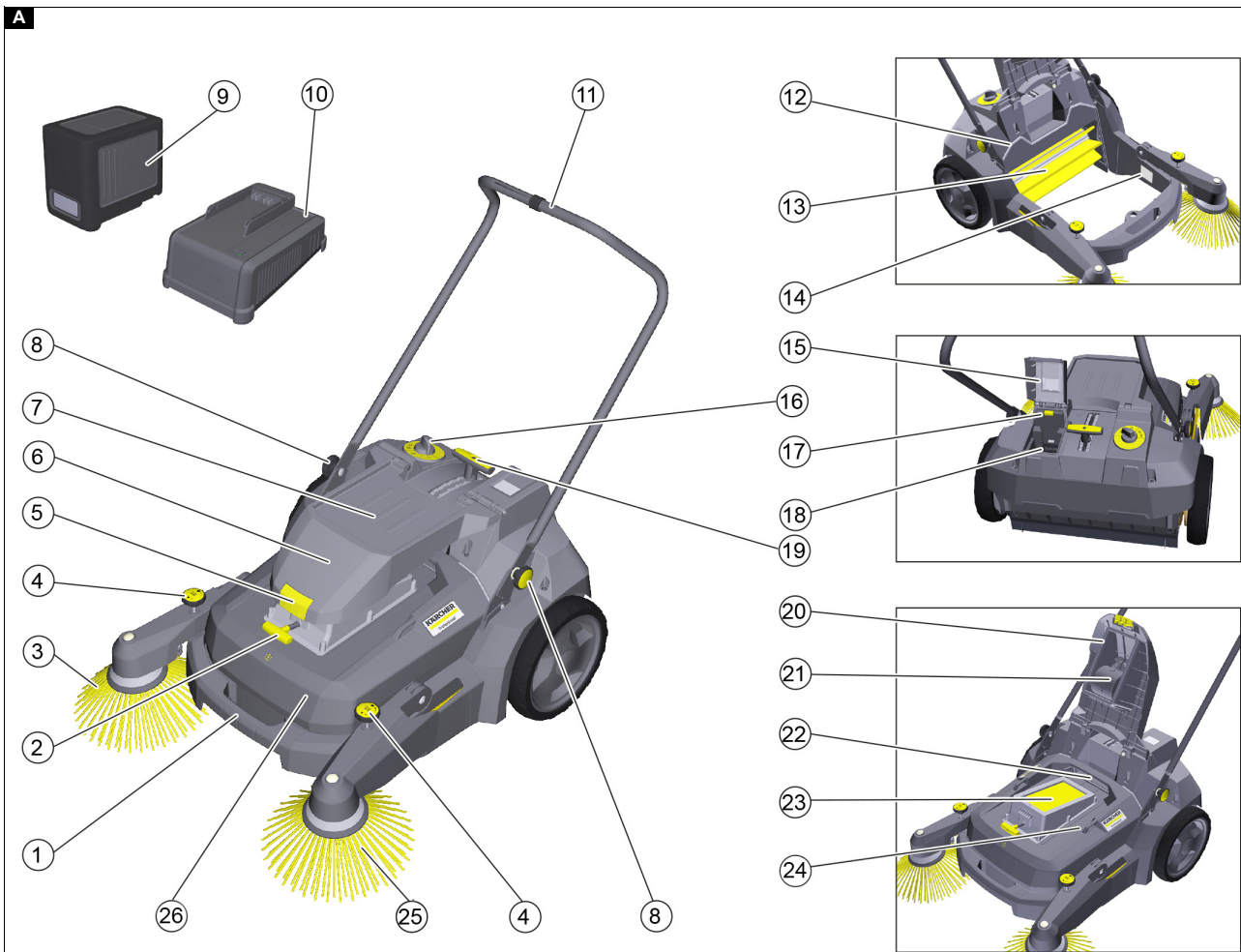


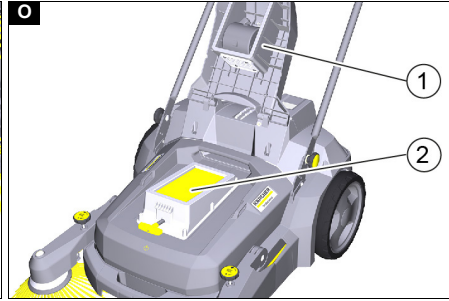
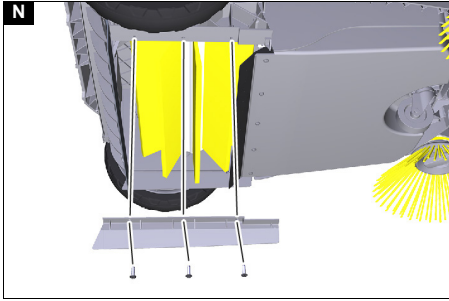
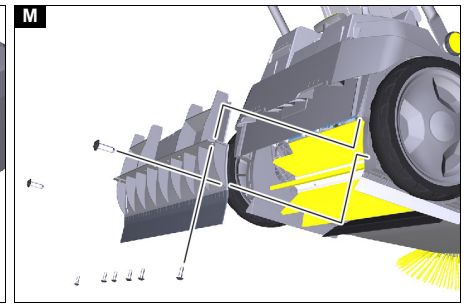
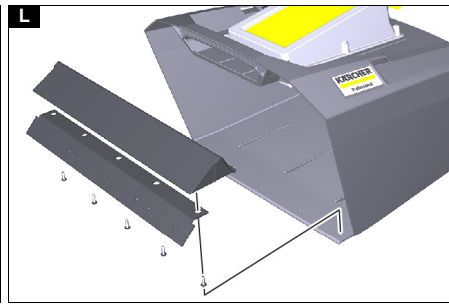
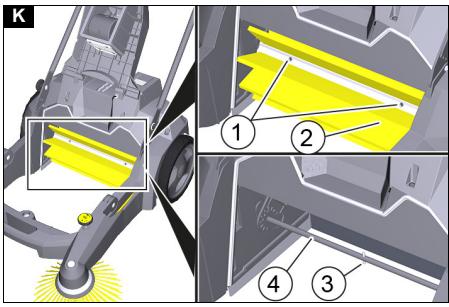
**Register
your product**

www.kaercher.com/welcome



59802430 (04/24)





Contents

IMPORTANT SAFETY INSTRUCTIONS	4
OPERATING SAFETY RULES AND PRACTICES	5
MAINTENANCE AND REBUILD PRACTICES	5
FIRE SAFETY STANDARD	5
General notes	6
Intended use	6
Device description.....	6
Initial startup	7
Operation	7
Shutting down	8
Transport.....	8
Storage	8
Care and service.....	8
Troubleshooting guide	9
Accessories/spare parts.....	10
Technical data.....	10

IMPORTANT SAFETY INSTRUCTIONS

READ ALL INSTRUCTIONS BEFORE USING THIS APPLIANCE

⚠ WARNING

To reduce the risk of fire, electric shock, or injury:
DO NOT LEAVE appliance unattended when plugged in.
Unplug from outlet when not in use and before servicing.

⚠ WARNING

TO REDUCE THE RISK OF ELECTRIC SHOCK-USE IN-DOORS ONLY

⚠ WARNING

DO NOT USE FOR CLEANING PURPOSES ON SURFACES HAVING A GRADIENT EXCEEDING THAT MARKED ON THE MACHINE

ATTENTION

THE MACHINE SHALL BE PARKED SAFELY

- Do not allow to be used as a toy. Close attention is necessary when used by or near children.
- Use only as described in this manual. Use only manufacturer's recommended attachments.
- Do not use with damaged cord or plug. If the unit is not working as it should, has been dropped, damaged, left outdoors, or dropped into water, return it to a service center.
- Do not pull or carry by the cord, do not use cord as a handle, do not close a door on the cord, or pull cord around sharp edges or corners. Do not run appliance over cord. Keep cord away from heated surfaces.
- DO NOT UNPLUG BY PULLING CORD. To unplug, grasp plug, not cord.
- Do not handle plug or appliance with wet hands.
- Do not put any objects into openings. Do not use if openings are blocked; keep free of dust, lint, hair, and anything that may reduce air flow.
- KEEP HAIR, CLOTHING, LOOSE JEWELRY, FINGERS and all parts of the body away from openings and moving parts.
- Turn off all controls before unplugging.
- Use extra care when cleaning on stairs.
- Do not use to pick up flammable or combustible liquids, such as gasoline, or use in areas where they may be present.

- Connect to a properly grounded outlet only. See Grounding Instructions.
- Always disconnect cord from electrical outlet before servicing appliance.
- Never sweep off explosive liquids, combustible gases or undiluted acids and solvents. This includes petrol, paint thinner or heating oil which can generate explosive fumes or mixtures upon contact with the air. Acetone, undiluted acids and solvents must also be avoided as they can harm the materials on the machine.
- Do not vacuum up burning or smouldering objects!
- The device is not intended for use by children, persons with restricted physical, sensory or mental abilities or persons unfamiliar with these instructions.
- Only use the device for its proper use. Take into account the local conditions and beware of third parties, in particular children, when working with the device.
- Check the device with the equipment prior to each use to make sure it is safe and working correctly. Only use the device when it is in a correct condition.
- No changes may be made to the device.
- Risk of injury! Before carrying out any work on the device, turn the programme switch to "0" and remove the battery.
- Risk of crushing and chafing on belts, side brushes, container and push handle.
- Risk of injury! Wear sturdy protective gloves when removing glass, metal or other sharp-edged materials from the dirt receptacle.

GROUNDING INSTRUCTIONS

This device must be grounded. If it should malfunction or break down, grounding provides a path of least resistance for electric current to reduce the risk of electric shock.

This device is equipped with a cord having an equipment grounding conductor and ground plug.

The plug must be plugged into an appropriate outlet that is properly installed and grounded in accordance with all local codes and ordinances.

⚠ DANGER

Improper connection of the equipment grounding conductor can result in a risk of electrocution.

Check with a qualified electrician or service personnel if you are in doubt as to whether the outlet is properly grounded.

Do not modify the plug provided with the product - if it will not fit the outlet, have a proper outlet installed by a qualified electrician.

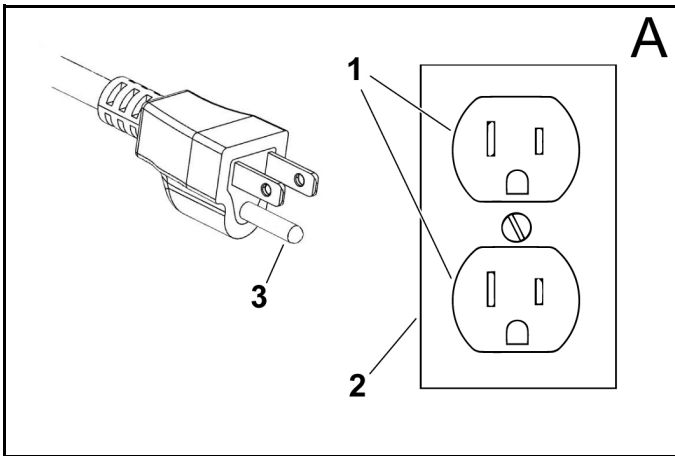
Do not use any type of adapter with this product.

This appliance is for use on a nominal 120-volt circuit and has a grounding attachment plug that looks like the plug illustrated in Figure A.

Make sure that the appliance is connected to an outlet having the same configuration as the plug.

No adaptor should be used with this appliance.

CONNECT TO A PROPERLY GROUNDED OUTLET ONLY



- ① Grounded outlet
- ② Grounded outlet box
- ③ Grounding pole

OPERATING SAFETY RULES AND PRACTICES

Owner/User Responsibility

The owner and/or user must have an understanding of the manufacturer's operating instructions and warnings before using this device.

Warning information should be emphasized and understood.

If the operator is not fluent in English, the manufacturer's instructions and warnings shall be read to and discussed with the operator in the operator's native language by the purchaser/ owner, making sure that the operator comprehends its contents.

Owner and/or user must study and maintain for future reference the manufacturers' instructions.

General

Before starting operation, the device must be in the operating position.

Do not start or operate the device, any of its functions or attachments, from any place other than from the designated operator's position.

Before leaving the operator's position:

- 1 bring the device to a complete stop;
 - 2 if the device must be on an incline, block the wheels.
- Maintain a safe distance from the edge of ramps, platforms, and other similar working surfaces.

Do not add to, or modify the device.

Do not block access to fire aisles, stairways or fire equipment.

Traveling

Yield the right of way to pedestrians and emergency vehicles such as ambulances and fire trucks.

Cross railroad tracks at an angle wherever possible. Do not park closer than 6 ft (1800 mm) to the nearest rail of a railroad track.

Keep a clear view of the path of travel and observe for other traffic, personnel, and safe clearances.

Under all travel conditions, operate the device at a speed that will permit it to be brought to a stop in a safe manner.

Do not indulge in stunt driving or horseplay.

Slow down for wet and slippery floors. Before driving over a dockboard or bridge plate, be sure that it is properly se-

cured. Drive carefully and slowly across the dockboard or bridge plate, and never exceed its rated capacity. When negotiating turns, reduce speed to a safe level consistent with the operating environment. Make the turns smoothly.

Operator care of the device

If the device is found to be in need of repair or in any way unsafe, or contributes to an unsafe condition, the matter shall be reported immediately to the user's designated authority, and the device shall not be operated until it has been restored to safe operating condition.

If during operation the device becomes unsafe in any way, the matter shall be reported immediately to the user's designated authority, and the device shall not be operated until it has been restored to safe operating condition.

Do not make repairs or adjustments unless specifically authorized to do so.

MAINTENANCE AND REBUILD PRACTICES

Operation of the device may be hazardous if maintenance is neglected or repairs, rebuilds, or adjustments are not performed in accordance with the manufacturer's design criteria. Therefore, maintenance facilities (on or off premises), trained personnel, and detailed procedures shall be provided.

Maintenance and inspection of the device shall be performed in conformance with the following practices:

- 1 a scheduled planned maintenance, lubrication, and inspection system shall be followed; consult the manufacturer's recommendations.
- 2 Only trained and authorized persons shall be permitted to operate a powered floor scrubber. Operators of powered floor scrubbers shall be qualified as to visual, auditory, physical, and mental ability to operate the equipment safely.

Avoid fire hazards and have fire protection equipment present in the work area. Do not use open pans of fuel or flammable cleaning fluids for cleaning parts.

FIRE SAFETY STANDARD



Any device not in safe operating condition shall be removed from service.

Repairs shall not be made in Class I, Class II, and Class III locations.

Fire Prevention. The device shall be kept in a clean condition and reasonably free of lint, excess oil, and grease. Noncombustible agents are preferred for cleaning the device. Flammable liquids [those having flash points at or above 100°F (37,8°C)] are not allowed. Precautions regarding toxicity, ventilation, and fire hazard shall be appropriate for the agent or solvent used.

Nameplate Visibility. The device type designations as shown on the nameplate and the type markers shall not be covered over with paint so that their identification information is obscured.

General notes


  Read these original instructions and the safety instructions chapter before using the device for the first time. Proceed accordingly.


Keep these for future reference or for future owners.

Checking the delivery

Please report any identified defects and transport damage to your dealer or sales outlet immediately upon receiving the sweeper.

Environmental protection

 The packing materials can be recycled. Please dispose of packaging in accordance with the environmental regulations.

 Electrical and electronic appliances / devices contain valuable, recyclable materials and often components such as batteries, rechargeable batteries or oil, which - if handled or disposed of incorrectly - can pose a potential threat to human health and the environment. However, these components are required for the correct operation of the appliance / device. Appliances / devices marked by this symbol are not allowed to be disposed of together with the household trash.

Notes on the content materials (REACH)

Current information on content materials can be found at: www.kaercher.de/REACH

Warranty

The warranty conditions issued by our relevant sales company apply in all countries. We shall remedy possible malfunctions on your appliance within the warranty period free of cost, provided that a material or manufacturing flaw is the cause. In a warranty case, please contact your dealer (with the purchase receipt) or the next authorised customer service site.

(See overleaf for the address)

Further warranty information (if available) can be found in the service area of your local Kärcher website under "Downloads".

Accessories and spare parts

Only use original accessories and original spare parts. They ensure that the appliance will run fault-free and safely.

Information on accessories and spare parts can be found at www.kaercher.com.

Hazard levels

DANGER

- Indication of an imminent threat of danger that will lead to severe injuries or even death.

WARNING

- Indication of a potentially dangerous situation that may lead to severe injuries or even death.





CAUTION

- Indication of a potentially dangerous situation that may lead to minor injuries.

ATTENTION

- Indication of a potentially dangerous situation that may lead to damage to property.

Symbols on the device

	Roller brush contact pressure
	Roller brush parking position
	Filter cleaning
	Side brush contact pressure

Intended use

Use the sweeper for cleaning indoor and outdoor areas. The sweeper is designed for commercial use.

Only use the sweeper in accordance with the information in these operating instructions. Any other use is considered as improper use. The manufacturer assumes no liability for any resultant damage. The user is solely responsible for the risk.

No modifications must be made to the sweeper.

The sweeper is only suitable for use on the surfaces listed in the operating instructions.

Foreseeable misuse

The device is not designed for driving on slopes.

Never sweep or suction up explosive liquids, gases, non-diluted acids or solvents (e.g. petrol, paint thinner, heating oil) because they form explosive vapours or mixtures in conjunction with the suction air.

Never sweep or suction up acetone, non-diluted acids or solvents, as they will corrode and damage the materials used on the device.

Never sweep or suction up reactive metal dusts (e.g. aluminium, magnesium, zinc). They form explosive gases in conjunction with highly alkaline or acidic cleaning agents. Do not sweep or suction up burning or smouldering objects. There is a risk of fire.

Do not sweep up any harmful substances.

The device is not suitable for sweeping up liquids.

Standing in hazard zones is prohibited. Operation in explosive spaces is prohibited.

This device must not be used to push/pull or transport objects.

Suitable surfaces

The device is suitable for the following surfaces:

- Asphalt
- Industrial floors
- Screed
- Concrete
- Paving stones

Device description

Sweeper for commercial use.

- **KM 70/30 C Bp Pack**
Battery pack and charger included

Device illustration

Illustration A

- ① Carrying handle
- ② Filter cleaning handle
- ③ Right side brush
- ④ Twist grip for side brush contact pressure
- ⑤ Dust suction release mechanism
- ⑥ Cover of fan for dust suction
- ⑦ Storage shelf for accessories, maximum load 5 kg
- ⑧ Star grip for push handle adjustment (2x)
- ⑨ Rechargeable battery pack
- ⑩ Charger
- ⑪ Push handle
- ⑫ Waste container seal
- ⑬ Roller brush
- ⑭ Type plate
- ⑮ Cover of battery pack holder
- ⑯ Program switch
- ⑰ Battery pack release
- ⑱ Battery pack holder
- ⑲ Lever for roller brush contact pressure (sweeping pattern)
- ⑳ Dust suction seal
- ㉑ Fan for dust suction
- ㉒ Waste container handle
- ㉓ Flat fold filter
- ㉔ Fastening eyelet
- ㉕ Left side brush
- ㉖ Removable waste container

Initial startup

Mounting the push handle

1. Position the push handle on the device.

Illustration B

- ① Screw
 - ② Push handle
 - ③ Star grip
 - ④ Washer
2. Insert the screw through the push handle holder and push handle.
 3. Put on the windshield.
 4. Fit the star grip and tighten.
 5. Repeat entire procedure on the opposite side.

Adjusting the push handle

1. Release both star grips.

Illustration C

- ① Star grip
 - ② Push handle
2. Pull the push handle backwards and swivel it into the desired position.
 3. Push the push handle forward and engage.
 4. Tighten the star grips.

Installing the side brush

The side brushes are supplied with the device on delivery and must be attached to the device before initial startup. See chapter "Changing the side brushes".

Charging/inserting the battery pack

Charge the battery pack before the initial startup. Please observe the instructions for charging and operation in the operating instructions and safety instructions enclosed with the battery pack and charger.

1. Fold up the cover of the battery pack holder.

Illustration D

- ① Battery pack holder
- ② Rechargeable battery pack
- ③ Cover of battery pack holder

2. Insert the charged battery pack into the battery pack holder, push it in up to the stop and snap it in place.
3. Close the cover of battery pack holder.

Operation

Selecting the programme

1. Turn the programme switch to the desired programme.

Illustration E

- ① 0 - device is switched off.
- ② Sweeping
- ③ Sweep vacuuming

Sweeping

ATTENTION

Risk of damage

Packing tape, wires or similar things can damage the sweeping mechanism.

Keep packing tape, wires or similar things away from the device.

Note

Adjust the travel speed to the conditions in order to achieve optimum cleaning results.

Empty the waste container at regular intervals.

Lower the side brushes to clean side edges.

Note

A bucket or other container up to a maximum of 5 kg can be placed on the cover of the dust suction blower.

1. If necessary, secure the container to the cover with a tensioning strap. Guide the tensioning strap through the fastening eyelet.
2. Swing the side brushes up or down depending on the task.

Note

Dust whirled up by the side brush is not vacuumed up.

Only use the side brushes when sweeping edges.

3. Set the program switch to sweep or sweep vacuuming.

Note

Only use the sweep vacuuming program when the floor is dry.

4. Push the device over the surface to be swept.

Adjusting the roller brush contact pressure

1. Pull out, adjust and lower the roller brush contact pressure lever.

Illustration F

- ① Roller brush contact pressure lever
5 - highest contact pressure
1 - lowest contact pressure
P - roller brush raised

Note

Higher contact pressure results in increased energy requirements and shorter operating times.

Note

Move the lever to the "P" position to park and transport the device. Roller brush is fully raised and damage to the bristles is avoided.

Adjusting the side brush contact pressure

1. Turn the side brush contact pressure twist grip in the desired direction.

Illustration G

- ① Twist grip for side brush contact pressure
 - + Increase the contact pressure
 - Reduce the contact pressure

Picking up coarse dirt

1. Press the push handle down slightly so that the device lifts up at the front.

Illustration H

2. Push the device over the coarse dirt with the front part raised.
3. Lower the device again.

Emptying the waste container

⚠ WARNING

Risk of injury

The rotating roller brush can cause injuries. Before removing the waste container, switch off the device and wait until the roller brush stops rotating.

Note

Empty the waste container outdoors if possible, as dust is released.

1. Turn the programme selector switch to "0" and wait until the roller brush stops rotating.
2. Pull and release the filter cleaning handle several times.
3. Unlock the dust suction and swing it upwards.
4. Pull the waste container upwards by the handle and remove it from the device.
5. Dispose of the waste in accordance with the local regulations.

Illustration I

ATTENTION

Risk of damage

Do not bump into objects when emptying the waste container.

Shutting down

If the device will not be used for a longer period of time, carry out the following actions.

1. Place the device on a level surface.
2. Turn the program switch to "0".
3. Set the lever for the roller brush contact pressure to the "P" position.
4. Remove the battery pack.
5. Clean the device inside and out.
6. Park the device in a protected and dry place.

Transport

⚠ CAUTION

Risk of injury and damage

Be aware of the weight of the device during transportation.

1. Turn the program switch to "0".
2. Set the contact pressure lever to the "P" position.
3. To load the device, lift it by the carrying handles.
4. Secure the device to the wheels with wedges.
5. Secure the device with ropes or lashing straps.
6. When transporting in vehicles, secure the device against slipping and tipping over according to the applicable guidelines.

Storage

⚠ WARNING

Risk of injury and damage

Be aware of the weight of the device.

1. Perform shut down.
2. Observe the battery pack storage instructions in the operating instructions.

Care and service

General notes

⚠ DANGER

Risk of accident and injury from unintentional movement of the device

Switch off the device and unplug the battery before starting any care or maintenance work.

Cleaning the device

⚠ CAUTION

Short circuit hazard from water stream

Do not clean the device with a hose or high pressure water jet.

⚠ DANGER

Health risk from dust

Wear a dust mask and safety goggles when cleaning with compressed air.

ATTENTION

Risk of damage to the surfaces

Do not use any abrasive or aggressive detergents for cleaning.

1. Blow out the inside of the device with compressed air.
2. Clean the interior and exterior of the device using a damp cloth, wetted with a mild detergent.

Maintenance intervals

Performing maintenance activities is described in the chapter "Maintenance Work".

Daily

1. Check the roller brush and side brush for wear and any tangled pieces of tape.
2. Check that the control elements are fully functional.

Weekly

1. Check the flat fold filter.
2. Check the moving parts to make sure that they move smoothly.
3. Check the sealing strips in the sweeping area to check for wear.

Half-yearly

1. Check the tension of drive belts, check for wear and check that they are functional.

After wear and tear

1. Replace the sealing strips.
2. Replace the roller brush.
3. Replace the side brush.

Maintenance work

Note

If maintenance is carried out by the customer, all service and maintenance work must be carried out by qualified staff. A Kärcher specialist dealer can be consulted at any time if needed.

1. Place the device on a level surface.
2. Turn the program switch to "0".
3. Remove the battery pack.

Replacing the side brush

1. Pivot the side brush upwards.
2. Unscrew the lock on the underside.
 - a Open: Turn anticlockwise
 - b Close: Turn clockwise

Illustration J

- ① Lock
 - ② Side brushes
 - ③ Mount
3. Remove the side brush.
 4. If necessary, clean the mount.
 5. Connect the new side brush to the mount and fasten it in place with the lock.

Replacing the roller brush

The roller brush must be replaced when the sweeping result visibly decreases and it is no longer possible to adjust it with the "lever for the roller brush contact pressure".

1. Remove the waste container.
2. Set the lever for the roller brush contact pressure to the "P" position.
3. Unscrew 2 screws on each side of the roller brush.

Illustration K

- ① Screw
 - ② Roller brush half
 - ③ Driving pin
 - ④ Roller brush shaft
4. Pull the roller halves apart and remove them.
 5. Place new roller halves on the roller brush shaft. Make sure the driving pin is seated correctly.
 6. Screw in and tighten the screws.

Replacing sealing strips

1. Unscrew the screws as shown in the respective picture.
2. Remove the sealing strip and replace it with a new one.
3. Screw in the screws again and tighten.

Illustration L

Front sealing strip (on the waste container)

Illustration M

Rear sealing strip

Illustration N

Side sealing strips

Replacing the flat fold filter

⚠ DANGER

Health risk from dust

Wear a dust mask and safety goggles when working on the filter system.

1. Pull and release the filter cleaning handle several times.
2. Release the lock and swing the dust suction cover upwards.
3. Lift out the flat fold filter and insert a new flat fold filter.

Illustration O

- ① Dust vacuuming
- ② Flat fold filter

Troubleshooting guide

Note

Contact the Customer Service department in the case of any faults not listed!

⚠ WARNING

Risk of injury

The rotating roller brush and side brushes can cause injuries.

Switch off the device and wait until the roller brush and side brushes stop rotating.

The device cannot be started

- Insert the battery pack.
- Press the battery pack down fully until it clicks into place.
- Charge the battery pack.

Sweeping performance not satisfactory

- Adjust the roller brush and side brushes according to the cleaning task.
- Roller brush and side brush are too worn, replace them.
- Check the sealing strips for wear, replace if necessary.

Device generates dust

- Empty the waste container.
- Check the filter, replace if necessary.
- Check the sealing strips for wear, replace if necessary.

Poor sweeping at the edges

- Replace the side brush.
- Check the sealing strips for wear, replace if necessary.

Poor suction performance

- Check the dust suction seal.
- Check the waste container seal.

Roller brush does not turn

- Remove the bands or strings from the roller brush.
- Set the roller brush contact pressure lever to a lower value.

The contact pressure of the roller brush cannot be changed

- Remove and clean the rear sealing strip as shown in Figure M.

Accessories/spare parts

Below (extracts) is an overview of wear parts or optionally available accessories.

Accessories	Description	Order no.
Side brushes	Side brush, standard	2.644-447.0
Roller brush	Standard roller brush	6.907-783.0
	Hard roller brush	4.762-689.0
Dust filter	Flat fold filter	6.904-176.0
"Battery Power+ 36/75 DW" battery	High-performance battery 36 V, 7.5 Ah * CUL	2.445-075.0
"Battery Power +" charger	Quick charger 36 V/ 60 Hz *CUL	2.445-053.0
Sealing lips	Front (waste container)	5.030-124.0
	Side	2.644-436.0
	Rear	5.032-334.0
Coarse dirt pliers		2.640-908.0
Home base bag		5.032-196.0
"Flexomate" bucket		2.855-249.0

Technical data

		KM 70/ 30 C Bp Pack
Device performance data		
Working width	in (mm)	18.9 (480)
Working width with 2 side brushes	in (mm)	38.6 (980)
Theoretical surface performance		
Surface performance (max.)	ft ² /h (m ² /h)	42200 (3920)
Protection class		IPX3
Battery		
Battery type		Battery Power / Battery Power+
Battery capacity	Ah	7.5
Battery voltage	V	36
Ambient conditions		
Ambient temperature	°F (°C)	32 to 113 (0 to +45)
Humidity, not condensing	%	40 - 90
Dimensions and weights		
Length	in (mm)	47.25 (1200)

		KM 70/ 30 C Bp Pack
Width	in (mm)	30.3 (770)
Height	in (mm)	42.13 (1070)
Net weight (transport weight)	lbs (kg)	72.75 (33)
Approved total weight	lbs (kg)	132 (60)
Wide roller brush	in (mm)	18.9 (480)
Roller brush diameter	in (mm)	9.4 (240)
Side brush diameter	in (mm)	12.9 (327)

Waste container

Waste container volume	gal/lbs (l/kg)	11.9/ 83.8 (45/38)
------------------------	----------------	-----------------------

Filter and suction system

Filter system		Flat fold filter
Filter area	ft ² /h (m ² /h)	6.46 (0.6)
Dust class		M
Nominal vacuum suction system	kPa	0.04
Nominal volume flow rate suction system	l/s	18.6

Blower motor (electric)

Nominal power	W	30
---------------	---	----

Roller brush motor (electric)

Nominal power	W	37.5
---------------	---	------

Determined values in acc. with EN 60335-2-72

Hand-arm vibration value	m/s ²	2.1
Uncertainty K	m/s ²	0.2
Sound pressure level L _{pA}	dB(A)	51
Uncertainty K _{pA}	dB(A)	3
Sound power level L _{WA} + uncertainty	dB(A)	74
K _{WA}		
Uncertainty K _{WA}	dB(A)	3

Subject to technical changes without notice.

Contenu

CONSIGNES DE SÉCURITÉ IMPORTANTES	11
REGLES DE SECURITE ET PRATIQUES RELATIVES A L'UTILISATION	12
PROCEDURES D'ENTRETIEN ET DE REMISE EN ETAT	13
NORMES DE SECURITE INCENDIE.....	13
Remarques générales.....	13
Utilisation conforme	14
Description de l'appareil.....	14
Mise en service.....	14
Fonctionnement	15
Arrêt	16
Transport.....	16
Stockage.....	16
Entretien et maintenance.....	16
Dépannage en cas de défaut.....	17
Accessoires / pièces de rechange	18
Caractéristiques techniques.....	18

CONSIGNES DE SÉCURITÉ IMPORTANTES

LIRE TOUTES LES INSTRUCTIONS AVANT D'UTILISER CET APPAREIL

⚠ AVERTISSEMENT

Pour réduire les risques d'incendie, de choc électrique ou de blessures :

NE PAS LAISSER l'appareil sans surveillance lorsqu'il est branché. Débrancher la fiche de la prise lorsque l'appareil n'est pas utilisé et avant de procéder à la maintenance.

⚠ AVERTISSEMENT

POUR RÉDUIRE LE RISQUE DE CHOC ÉLECTRIQUE - UTILISATION EN INTÉRIEUR UNIQUEMENT

⚠ AVERTISSEMENT

NE PAS UTILISER POUR LE NETTOYAGE DES SURFACES DONT LA PENTE EST SUPÉRIEURE À CELLE INDIQUÉE SUR L'APPAREIL

ATTENTION

LA MACHINE DOIT ÊTRE GARÉE DE MANIÈRE SÛRE

- N'autorisez pas que l'appareil serve de jouet. Lors de l'utilisation de l'appareil par des enfants ou à proximité d'enfants, la plus grande attention est requise.
- Utilisation uniquement comme cela est décrit dans ce manuel. N'utiliser que les accessoires recommandés par le fabricant.
- Ne pas utiliser l'appareil si le cordon ou la fiche est endommagé(e). Si l'unité ne fonctionne pas comme elle le devrait, si elle est tombée, est endommagée, a été laissée dehors ou est tombée dans l'eau, la renvoyer à un centre de SAV.
- Ne pas tirer ou porter l'appareil avec le câble, ne pas utiliser de câble comme poignée, ne pas fermer une porte sur le câble ou faire passer le câble au niveau de coins ou d'angles coupants. Ne faire passer aucun appareil sur le câble. Tenir le cordon à distance des surfaces chaudes.
- NE PAS DEBRANCHER LA FICHE SECTEUR DE LA PRISE DE COURANT EN TIRANT SUR LE CÂBLE DE BRANCHEMENT AU SECTEUR. Pour débrancher le secteur, tirer sur la fiche secteur, pas sur le câble de branchement au secteur.

- Ne pas brancher la fiche ou l'appareil avec des mains humides.
- N'introduisez pas d'objet dans les ouvertures. N'utilisez pas l'appareil lorsque les ouvertures sont colmatées. Veillez à les garder exemptes de poussière, cheveux, peluches ainsi que de tout ce qui serait susceptible d'entraver le flux d'air.
- Maintenir les CHEVEUX, VETEMENTS, BIJOUX PENDANTS, DOIGTS et tous les membres du corps éloignés des ouvertures et des pièces mobiles.
- Éteindre toutes les commandes avant de débrancher.
- Soyez particulièrement prudents lors du nettoyage dans les escaliers.
- N'utilisez pas l'appareil pour aspirer des liquides inflammables ou combustibles, par exemple de l'essence, et ne placez pas l'appareil dans des endroits dans lesquels de tels liquides pourraient se trouver.
- Raccordement uniquement à une prise mise à la terre correctement. Voir Instructions de mise à la terre.
- Débrancher toujours le câble de la prise électrique avant d'entretenir l'appareil.
- Ne jamais balayer des liquides explosifs, des gaz combustibles ou des acides et des solvants non dilués. Cela comprend l'essence, les diluants de peinture ou le fuel domestique qui peuvent générer des fumées ou des mélanges explosifs au contact de l'air. L'acétone, les acides non dilués et les solvants doivent également être évités car ils peuvent abîmer les matériaux sur la machine.
- Ne pas aspirer des objets qui brûlent ou se consomment.
- L'appareil n'est pas destiné à être utilisé par des enfants, des personnes dont les capacités physiques, sensorielles ou mentales sont limitées ou des personnes qui ne sont pas familiarisées avec ces instructions.
- N'utilisez l'appareil que pour l'usage auquel il est destiné. Tenez compte des conditions locales et faites attention aux tiers, en particulier aux enfants, lorsque vous travaillez avec l'appareil.
- Vérifiez l'appareil avec l'équipement avant chaque utilisation pour vous assurer qu'il est sûr et qu'il fonctionne correctement. N'utilisez l'appareil que s'il est en bon état.
- Aucune modification ne peut être apportée à l'appareil.
- Risque de blessure ! Avant toute intervention sur l'appareil, mettez la touche programme sur « 0 » et retirez la batterie.
- Risque d'écrasement et de frottement au niveau des courroies, des balais latéraux, du réservoir et du dispositif de poussée.
- Risque de blessure ! Portez des gants de protection robustes lorsque vous retirez du verre, du métal ou d'autres matériaux à arêtes vives du collecteur d'impuretés.

INSTRUCTIONS DE MISE À LA TERRE

Cet appareil doit être mis à la terre. En cas de dysfonctionnement ou de panne, la mise à la terre fournit un chemin de moindre résistance pour le courant électrique afin de réduire le risque de choc électrique.

Cet appareil est équipé d'un câble disposant d'un connecteur de mise à la terre de l'équipement et d'une fiche de terre.

La fiche doit être branchée dans une prise appropriée installée correctement et mise à la terre conformément à toutes les normes et règles locales.

⚠ DANGER

Tout raccordement inapproprié du conducteur de mise à la terre de l'équipement peut entraîner un risque d'électrocution.

En cas de doute quant à la mise à la terre correcte de la prise de courant, faire appel à un électricien qualifié ou au personnel de maintenance.

Ne pas modifier la fiche fournie avec le produit - si elle ne correspond pas à la prise de courant, faire installer une prise de courant appropriée par un électricien qualifié.

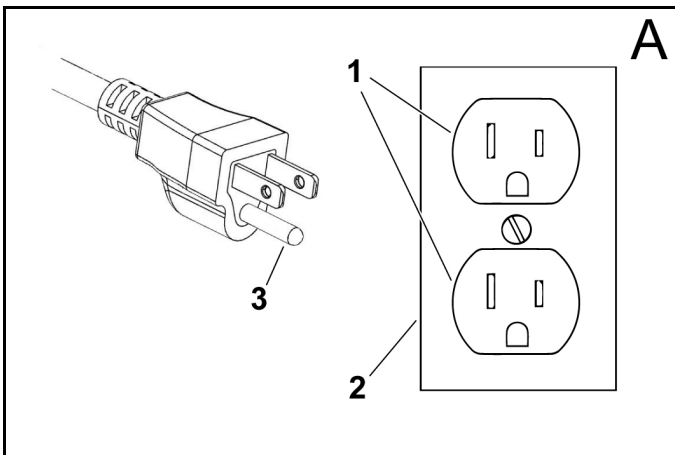
Ne pas utiliser d'adaptateur avec ce produit.

Cet appareil est prévu pour être utilisé sur un circuit d'une tension nominale de 120 volts et dispose d'une fiche de branchement de terre qui ressemble à la fiche représentée sur la figure A.

Vérifier que l'appareil est raccordé à une prise de courant ayant la même configuration que la fiche.

Aucun adaptateur ne doit être utilisé avec cet appareil.

RACCORDER UNIQUEMENT À UNE PRISE MISE À LA TERRE CORRECTEMENT



- ① Prise de terre
- ② Boîtier prise de terre
- ③ Pôle de mise à la terre

REGLES DE SECURITE ET PRATIQUES RELATIVES A L'UTILISATION

Responsabilité du propriétaire/utilisateur

Le propriétaire et/ou l'utilisateur doivent comprendre les instructions de fonctionnement et les avertissements du fabricant avant d'utiliser cet appareil.

Les informations d'avertissement doivent être soulignées et comprises.

Si l'utilisateur ne parle pas l'anglais couramment, le client/propriétaire doit lire et discuter les instructions et avertissements du fabricant avec l'utilisateur dans sa langue maternelle et s'assurer que l'utilisateur en comprend le contenu. Le propriétaire et/ou l'utilisateur doivent étudier et conserver les instructions du fabricant pour leur utilisation future.

Généralités

Avant de commencer à faire fonctionner l'unité, soyez dans une position d'opération.

Ne pas démarrer ou utiliser l'appareil, ni aucune de ses fonctions ou accessoires, à partir d'un autre endroit que celui réservé à l'utilisateur.

Avant de quitter le poste de l'utilisateur :

- 1 arrêter l'appareil ;
- 2 si l'appareil doit stationner sur une pente, caler les roues.

Conserver une distance de sécurité avec les bords des rampes, des plates-formes et de toutes les autres surfaces de travail du même type.

Ne pas ajouter d'accessoires à l'appareil ni le modifier de quelque manière que ce soit.

Ne pas stationner à un endroit où l'appareil risque d'entraîner les issues de secours, les cages d'escaliers ou les équipements de lutte contre l'incendie.

Conduite

Céder la priorité aux piétons ainsi qu'aux véhicules d'urgence comme les ambulances et les camions de pompiers.

Traverser les voies ferrées à angle droit lorsque c'est possible. Ne pas garer l'appareil à moins de 1,8 m de la voie ferrée ou du rail le plus proche.

Veiller à conserver une vue bien dégagée du trajet à emprunter et être attentif à la circulation des autres véhicules, aux déplacements des membres du personnel, ainsi qu'aux espaces de dégagement.

Quelles que soient les conditions de circulation, conserver une vitesse permettant d'arrêter l'appareil en toute sécurité.

Ne jamais adopter de conduite dangereuse (cascades, acrobaties etc.)

Ralentir sur les sols mouillés et glissants. Avant de déplacer l'appareil sur un pont de chargement ou un pont de liaison, s'assurer que celui-ci est correctement sécurisé.

Avancer prudemment et lentement sur le pont de chargement ou pont de liaison. Ne jamais dépasser la charge maximale autorisée.

Dans les virages, ralentir et adopter une vitesse de sécurité adaptée à l'environnement d'utilisation. Les virages doivent être abordés sans à-coups.

Entretien de l'appareil par l'utilisateur

Si le véhicule a besoin d'être réparé ou présente un risque quelconque, l'utilisateur doit le signaler immédiatement à son responsable et ne pas utiliser l'appareil avant résolution du problème.

Si, en cours d'utilisation, le véhicule s'avère dangereux de quelque façon que ce soit, signaler immédiatement le problème au responsable concerné et cesser l'utilisation de l'appareil avant résolution du problème.

Ne pas effectuer de réparations ou réglages à moins d'y être expressément autorisé.

PROCEDURES D'ENTRETIEN ET DE REMISE EN ETAT

L'utilisation de l'appareil peut devenir dangereuse si l'entretien est négligé ou si la remise en état ou les réglages nécessaires ne sont pas effectués en conformité avec les recommandations du fabricant. Par conséquent, il est nécessaire de prévoir des ateliers de maintenance, à l'intérieur ou l'extérieur des bâtiments, avec du personnel dûment formé, ainsi que d'établir des procédures détaillées.

La maintenance et l'inspection de l'appareil doivent être effectuées conformément aux procédures suivantes :

- 1 Les intervalles prescrits pour la maintenance, la lubrification et le contrôle du système doivent être respectés; se reporter aux instructions du fabricant.
- 2 Seules les personnes formées et habilitées sont autorisées à utiliser les autolaveuses motorisées. Les utilisateurs de ces appareils doivent avoir les aptitudes visuelles et auditives ainsi que les capacités physiques et mentales requises pour utiliser cet équipement en toute sécurité.

Eviter les risques d'incendie et s'assurer que les locaux sont dotés des équipements nécessaires pour la lutte contre l'incendie. Ne jamais utiliser de bacs ouverts contenant du carburant ou des produits de nettoyage inflammables pour nettoyer les composants de l'autolaveuse motorisée.

NORMES DE SECURITE INCENDIE

Tout appareil dont le fonctionnement représente un risque doit être mis hors service.

Les réparations ne doivent pas être effectuées dans les zones de classe I, II et III.

Prévention des incendies : L'autolaveuse motorisée doit être tenue propre et dans la mesure du possible, protégée des peluches, des déversements d'huile et de la graisse. L'utilisation de produits non inflammables est recommandée pour le nettoyage de l'autolaveuse motorisée. Les liquides inflammables dont le point d'ignition est égal ou supérieur à 37,8 °C (100 °F) ne sont pas autorisés.

Prendre les mesures appropriées concernant la toxicité, l'aération, et les risques d'incendie selon le produit ou solvant utilisé.

Visibilité de la plaque signalétique : Les données techniques figurant sur la plaque signalétique de l'appareil ne doivent pas être recouvertes de peinture et les informations d'identification doivent rester visibles.

Remarques générales



Veillez lire le présent le manuel d'instructions original et le chapitre des consignes de sécurité avant la première utilisation de l'appareil. Suivez ces instructions.

Conservez les pour une utilisation ultérieure ou pour le propriétaire suivant.

Contrôle de la livraison

Lors de la réception de la balayeuse, veuillez déclarer aussitôt les défauts et dommages dus au transport identifiés à votre vendeur ou concession.

Protection de l'environnement



Les matériaux d'emballage sont recyclables. Veuillez éliminer les emballages dans le respect de l'environnement.



Les appareils électriques et électroniques contiennent des matériaux précieux recyclables et souvent des composants tels que des piles, batteries ou de l'huile représentant un danger potentiel pour la santé humaine et l'environnement, s'ils ne sont pas manipulés ou éliminés correctement. Ces composants sont cependant nécessaires pour le fonctionnement correct de l'appareil. Les appareils marqués par ce symbole ne doivent pas être jetés dans les ordures ménagères.

Remarques concernant les matières composantes (REACH)

Les informations actuelles concernant les matières composantes sont disponibles sous : www.kaercher.de/REACH

Garantie

Les conditions de garantie publiées par notre société commerciale compétente s'appliquent dans chaque pays.

Nous remédions gratuitement aux défauts possibles sur votre appareil dans la durée de garantie dans la mesure où la cause du défaut est un vice de matériau ou de fabrication. En cas de garantie, veuillez vous adresser à votre distributeur ou au point de service après-vente autorisé le plus proche avec la facture d'achat.

(Voir l'adresse au dos)

Vous trouverez d'autres informations de garantie (le cas échéant) dans la zone de service de votre site Internet Kärcher local sous « Téléchargements ».

Accessoires et pièces de rechange

Utiliser exclusivement des accessoires et pièces de rechange originaux. Ceux-ci garantissent le fonctionnement sûr et sans défaut de votre appareil.

Des informations sur les accessoires et pièces de rechange sont disponibles sur le site Internet www.kaercher.com.

Niveaux de danger

⚠ DANGER

- Indique un danger immédiat qui peut entraîner de graves blessures corporelles ou la mort.

⚠ AVERTISSEMENT

- Indique une situation potentiellement dangereuse qui peut entraîner de graves blessures corporelles ou la mort.

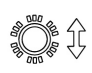



⚠ PRÉCAUTION

- Indique une situation potentiellement dangereuse qui peut entraîner des blessures légères.

ATTENTION

- Indique une situation potentiellement dangereuse qui peut entraîner des dommages matériels.

Symboles sur l'appareil

	Pression d'appui Brosse rouleau
	Position de stationnement Brosse rouleau
	Décolmatage du filtre
	Pression d'appui Balais latéraux

Utilisation conforme

Utiliser cette balayeuse pour le nettoyage de surfaces à l'intérieur et à l'extérieur.

La balayeuse est conçue pour une utilisation professionnelle.

Utiliser la balayeuse exclusivement conformément aux indications de ce manuel d'utilisation. Toute utilisation différente est considérée comme non conforme. Le fabricant décline toute responsabilité en cas de dommages qui en résulteraient ; l'utilisateur en assume seul les risques.

Ne pas réaliser de modifications sur la balayeuse.

La balayeuse est seulement adaptée aux revêtements spécifiés dans le manuel d'utilisation.

Utilisation non conforme prévisible

L'appareil n'est pas destiné à une utilisation en pente.

Ne jamais balayer ni aspirer de liquides, gaz explosifs, d'acides et solvants non dilués (p.ex. essence, diluant pour peinture, fioul), ils forment des vapeurs ou mélanges explosifs en liaison avec l'air aspiré.

Ne jamais balayer ni aspirer d'acétone, d'acides et solvants non dilués, car ils attaquent et endommagent les matériaux utilisés sur l'appareil.

Ne jamais balayer ni aspirer de poussière de métal (p.ex. aluminium, magnésium, zinc), en liaison avec des détergents très alcalins ou acides, elle forme des gaz explosifs.

Ne jamais balayer ni aspirer d'objets en feu ou incandescents, risque d'incendie.

Ne pas balayer de substances à risque pour la santé.

L'appareil n'est pas conçu pour le ramassage de liquides. Il est interdit de se tenir dans les zones dangereuses. L'utilisation dans des locaux à risque d'explosion est interdite. Il est interdit de pousser / tirer ou de transporter des objets avec cet appareil.

Revêtements adaptés

L'appareil est seulement adapté aux revêtements suivants :

- Asphalte
- Sols industriels
- Chape
- Béton
- Pavés

Description de l'appareil

Balayeuse à usage professionnel.

● KM 70/30 C Bp Pack

Bloc-batterie et chargeur inclus dans la livraison

Illustration de l'appareil

Illustration A

- ① Poignée de transport
- ② Poignée de décolmatage du filtre
- ③ Balai latéral à droite
- ④ Poignée tournante Pression d'appui des balais latéraux
- ⑤ Déverrouillage Aspiration de poussière
- ⑥ Capot Soufflerie Aspiration de poussière
- ⑦ surface de rangement pour accessoires, charge maximale 5 kg
- ⑧ Vis étoilée pour le réglage du guidon (2x)
- ⑨ Bloc-batterie
- ⑩ Chargeur
- ⑪ Guidon
- ⑫ Joint cuve à poussière
- ⑬ Brosse-rouleau
- ⑭ Plaque signalétique
- ⑮ Couvercle du logement du bloc-batterie
- ⑯ Programmateur
- ⑰ Déverrouillage du bloc-batterie
- ⑱ Logement du bloc-batterie
- ⑲ Levier de la pression d'appui de la brosse-rouleau (motif de balayage)
- ⑳ Joint Aspiration de poussière
- ㉑ Soufflerie Aspiration de poussière
- ㉒ Poignée de la cuve à poussière
- ㉓ Filtre plat plissé
- ㉔ Œillet de fixation
- ㉕ Balai latéral gauche
- ㉖ Cuve à poussière, amovible

Mise en service

Montage du guidon

1. Positionner le guidon sur l'appareil.

Illustration B

- ① Vis
 - ② Guidon
 - ③ Poignée-étoile
 - ④ Rondelle
2. Insérer la vis à travers le support de guidon et le guidon.
 3. Mettre en place la rondelle.
 4. Mettre en place la poignée-étoile et la serrer.
 5. Répéter le processus du côté opposé.

Réglage du guidon

1. Desserrer les deux poignées-étoiles.

Illustration C

- ① Poignée-étoile
 - ② Guidon
2. Tirer le guidon vers l'arrière et le faire pivoter dans la position souhaitée.
 3. Pousser le guidon vers l'avant et l'enclencher.
 4. Serrer les poignées-étoiles.

Monter le balai latéral

Les balais latéraux sont livrés avec l'appareil et doivent encore être fixés à l'appareil avant la mise en service. Cf. chapitre « Remplacement des balais latéraux ».

Charger / insérer le bloc-batterie

Charger la batterie. avant la mise en service.
Respecter les consignes de charge et d'utilisation figurant dans les modes d'emploi et les consignes de sécurité qui accompagnent le bloc-batterie et le chargeur.

1. Relever le couvercle du logement du bloc-batterie.

Illustration D

- ① Logement du bloc-batterie
 - ② Bloc-batterie
 - ③ Couvercle du logement du bloc-batterie
2. Placer le bloc-batterie chargé dans le logement du bloc-batterie et le pousser en butée jusqu'à entendre un clic.
 3. Fermer le couvercle du logement du bloc-batterie.

Fonctionnement

Choisir un programme

1. Tourner le bouton de sélection du programme sur le programme souhaité.

Illustration E

- ① 0 - L'appareil est hors tension
- ② Balayage
- ③ Balayer

Balayage

ATTENTION

Risque d'endommagement

Les bandes d'emballage, les fils métalliques ou autres peuvent endommager le mécanisme de balayage.
Éloigner les bandes d'emballage, les fils métalliques ou autres de l'appareil.

Remarque

Adapter la vitesse de conduite aux conditions pour obtenir un résultat de nettoyage idéal.

Videz la cuve à poussière à intervalles réguliers.

Pour nettoyer les bords latéraux, abaisser les balais latéraux.

Remarque

Un seau ou un autre récipient de 5 kg maximum peut être placé sur le capot de la soufflerie d'aspiration de poussière.

1. Si nécessaire, fixer le récipient sur le capot à l'aide d'une bande de serrage. Faire passer la bande de serrage par l'œillet de fixation.
2. Pivoter les balais latéraux vers le haut ou vers le bas en fonction de la tâche à accomplir.

Remarque

La poussière soulevée par le balai latéral n'est pas aspirée. Utiliser les balais latéraux uniquement pour balayer les bords.

3. Mettre le commutateur de programme sur balayage ou aspiration.

Remarque

Utiliser le programme Balayage-aspiration uniquement sur un sol sec.

4. Pousser l'appareil sur la surface à balayer.

Régler la pression d'appui de la brosse rouleau

1. Sortir le levier Pression d'appui brosse rouleau, le régler et l'abaisser.

Illustration F

- ① Levier de la pression d'appui de la brosse-rouleau
5 - pression d'appui maximale
1 - pression d'appui la plus basse
P - Brosse rouleau levée

Remarque

Une pression d'appui plus élevée entraîne une consommation d'énergie plus importante et une durée d'utilisation plus courte.

Remarque

Pour garer et transporter l'appareil, amener le levier en position « P ». La brosse rouleau est entièrement levée, ce qui évite d'endommager les poils.

Régler la pression d'appui des balais latéraux

1. Tourner la poignée tournante Pression d'appui des balais latéraux dans la direction souhaitée.

Illustration G

- ① Poignée tournante Pression d'appui des balais latéraux
+ Augmenter la pression d'appui
- Réduire la pression d'appui

Ramasser les saletés grossières

1. Pousser légèrement le guidon vers le bas pour que l'appareil se soulève à l'avant.

Illustration H

2. Pousser l'appareil sur les saletés grossières en soulevant la partie avant.
3. Abaisser à nouveau l'appareil.

Vider la cuve à poussière

⚠ AVERTISSEMENT

Risque de blessures

La brosse rouleau en rotation peut provoquer des blessures.

Avant de retirer la cuve à poussière, éteignez l'appareil et attendez que le rouleau de balayage cesse de tourner.

Remarque

Vider la cuve à poussière si possible à l'extérieur, car de la poussière est libérée.

1. Tourner le commutateur de programme sur « 0 » et attendre que la brosse rouleau cesse de tourner.
2. Tirer et relâcher plusieurs fois la poignée de décolmatage du filtre.
3. Déverrouiller l'aspiration de poussière et la faire pivoter vers le haut.
4. Tirer la cuve à poussière vers le haut par la poignée et la sortir de l'appareil.
5. Éliminer l'huile usagée conformément aux directives locales.

Illustration I

ATTENTION

Risque d'endommagement

Ne pas heurter d'objets dans la cuve à poussière pour la vider.

Arrêt

Si l'appareil n'est pas utilisé pendant une période prolongée, effectuer les opérations suivantes.

1. Placer l'appareil sur une surface plane.
2. Mettre le commutateur de programmes sur « 0 ».
3. Mettre le levier de pression d'appui de la brosse-rouleau en position « P ».
4. Retirer le bloc-batterie
5. Nettoyer l'intérieur et l'extérieur de l'appareil.
6. Ranger l'appareil dans un endroit protégé et sec.

Transport

⚠ PRECAUTION

Risque de blessure et d'endommagement

Observer le poids de l'appareil pour le transport.

1. Mettre le commutateur de programmes sur « 0 ».
2. Mettre le levier de pression d'appui en position « P ».
3. Pour le chargement, soulever l'appareil par les poignées de transport.
4. Fixer l'appareil sur les roues avec des cales.
5. Fixer l'appareil avec des cordes ou des sangles d'arrimage.
6. En cas de transport de l'appareil dans des véhicules, le bloquer contre le glissement et le basculement suivant les normes en vigueur.

Stockage

⚠ AVERTISSEMENT

Risque de blessure et d'endommagement

Observez le poids de l'appareil.

1. Procéder à l'arrêt.
2. Respecter les consignes du mode d'emploi du bloc-batterie concernant le stockage.

Entretien et maintenance

Remarques générales

⚠ DANGER

Risque d'accident et de blessures par déplacement involontaire de l'appareil

Désactiver l'appareil avant tous les travaux d'entretien et de maintenance et retirer la batterie.

Nettoyage de l'appareil

⚠ PRÉCAUTION

Risque de court-circuit par le jet d'eau

Ne nettoyez pas l'appareil avec un flexible ou jet d'eau sous forte pression.

⚠ DANGER

Risque pour la santé dû à la poussière

Lors du nettoyage à l'air comprimé portez un masque de protection contre la poussière et des lunettes de protection.

ATTENTION

Risque d'endommagement des surfaces

N'utilisez pas de détergents abrasifs ou agressifs pour le nettoyage.

1. Souffler l'intérieur de l'appareil à l'air comprimé.
2. Nettoyer l'intérieur et l'extérieur de l'appareil avec un chiffon imbibé d'une lessive douce.

Intervalles de maintenance

La réalisation des activités de maintenance est décrite dans le chapitre « Travaux de maintenance ».

Tous les jours

1. Vérifier l'usure et les éventuelles bandes enroulées de la brosse-rouleau et du balai latéral.
2. Vérifier le fonctionnement de tous les éléments de commande.

Toutes les semaines

1. Vérifier le filtre plat plissé.
2. Vérifier la liberté de mouvement de toutes les pièces mobiles.
3. Vérifier l'usure des barres d'étanchéité dans la zone de balayage.

Tous les 6 mois

1. Vérifier la tension, l'usure et le fonctionnement des courroies d'entraînement.

Selon l'usure

1. Remplacer les barres d'étanchéité.
2. Remplacer la brosse-rouleau.
3. Remplacer le balai latéral.

Travaux de maintenance

Remarque

Tous les travaux d'entretien et de maintenance en cas de maintenance effectuée par le client doivent être réalisés par du personnel spécialisé qualifié. Si nécessaire, un revendeur spécialisé Kärcher peut intervenir à tout moment.

1. Placer l'appareil sur une surface plane.
2. Mettre le commutateur de programmes sur « 0 ».
3. Retirer le bloc-batterie

Remplacement du balai latéral

1. Pivoter les balais latéraux vers le haut.
2. Dévisser la fermeture sur la partie inférieure.
 - a Ouvrir : tourner dans le sens antihoraire
 - b Fermer : tourner dans le sens horaire

Illustration J

- ① Fermeture
- ② Balais latéraux
- ③ Logement
3. Retirer le balai latéral.
4. Si besoin, nettoyer le logement.
5. Enficher le nouveau balai latéral sur le logement et le fixer à l'aide de la fermeture.

Remplacement de la brosse-rouleau

La brosse rouleau doit être remplacée lorsque le résultat de balayage diminue visiblement et qu'aucun réajustement n'est plus possible avec le « levier pression d'appui de la brosse-rouleau ».

1. Retirer la cuve à poussière.
2. Mettre le levier de pression d'appui de la brosse-rouleau en position « P ».
3. Dévisser 2 vis de chaque côté de la brosse rouleau

Illustration K

- ① Vis
 - ② Moitié de brosse rouleau
 - ③ Pion d'entraînement
 - ④ Arbre de la brosse rouleau
4. Écarter les moitiés de brosse rouleau et les retirer.
 5. Placer les moitiés de brosse rouleau neuves sur l'arbre de brosse rouleau. Veiller ce faisant à la bonne fixation du pion d'entraînement.
 6. Visser et serrer à fond les vis.

Remplacement des barres d'étanchéité

1. Dévisser les vis comme indiqué sur la photo correspondante.
2. Retirer la barre d'étanchéité et la remplacer par une barre d'étanchéité neuve.
3. Revisser et serrer à fond les vis.

Illustration L

Barre d'étanchéité avant (sur la cuve à poussière)

Illustration M

Barre d'étanchéité à l'arrière

Illustration N

Barres d'étanchéité latérales

Remplacement du filtre plat plissé

⚠ DANGER

Risque pour la santé dû à la poussière

Lors des travaux sur l'installation de filtration, porter un masque de protection contre la poussière et des lunettes de protection.

1. Tirer et relâcher plusieurs fois la poignée de décolmatage du filtre.
2. Desserrer le déverrouillage et faire pivoter le capot d'aspiration de poussière vers le haut.
3. Retirer le filtre plat plissé et insérer le filtre plat plissé neuf.

Illustration O

- ① Aspiration de poussière
- ② Filtre plat plissé

Dépannage en cas de défaut

Remarque

Pour tous les défauts non indiqués ici, contacter le service après-vente (service) !

⚠ AVERTISSEMENT

Risque de blessures

La brosse rouleau en rotation et les balais latéraux peuvent provoquer des blessures. Éteindre l'appareil et attendre que la brosse rouleau et les balais latéraux cessent de tourner.

Impossible de démarrer l'appareil

- Insérer le bloc-batterie.
- Appuyer à fond sur le bloc-batterie jusqu'à ce qu'il s'enclenche.

- Charger la batterie.

Puissance de balayage non satisfaisante

- Régler la brosse rouleau et les balais latéraux en fonction de la tâche de nettoyage.
- Remplacer la brosse-rouleau et le balai latéral s'ils sont trop usés.
- Contrôler l'usure des barres d'étanchéité, les régler / remplacer si besoin.

L'appareil dégage de la poussière

- Vider la cuve à poussière.
- Contrôler le filtre, si nécessaire le remplacer.
- Contrôler l'usure des barres d'étanchéité, les régler / remplacer si besoin.

Mauvais balayage sur les bords

- Remplacer le balai latéral.
- Contrôler l'usure des barres d'étanchéité, les régler / remplacer si besoin.

Puissance d'aspiration insuffisante

- Vérifier le joint de l'aspiration de poussière.
- Vérifier le joint cuve à poussière.

La brosse rouleau ne tourne pas

- Retirer les bandes ou cordons enroulés de la brosse-rouleau.
- Régler le levier de la pression d'appui de la brosse-rouleau sur une valeur plus faible.

La pression d'appui de la brosse-rouleau ne peut pas être modifiée

- Démontez la baguette d'étanchéité arrière selon la figure M et la nettoyer.

Accessoires / pièces de rechange

Vous trouverez ci-après la vue d'ensemble (un extrait) des pièces d'usure ou des accessoires disponibles en option.

Accessoires	Description	Référence
Balais latéraux	Balai latéral, standard	2.644-447.0
Brosse-rouleau	Brosse-rouleau standard	6.907-783.0
	Brosse-rouleau dure	4.762-689.0
Filtre à poussière	Filtre plat plissé	6.904-176.0
Batterie « Battery Power+ 36/75 DW »	Batterie hautes performances 36 V, 7,5 Ah *CUL	2.445-075.0
Chargeur « Battery Power + »	Chargeur rapide 36 V/ 60 Hz *CUL	2.445-053.0
Lèvres d'étanchéité	Avant (cuve à poussière)	5.030-124.0
	Sur le côté	2.644-436.0
	Arrière	5.032-334.0
Pince pour saletés grossières		2.640-908.0
Poche Homebase		5.032-196.0
Seau « Flexomate »		2.855-249.0

Caractéristiques techniques

		KM 70/ 30 C Bp Pack
Caractéristiques de puissance de l'appareil		
Largeur de travail	in (mm)	18.9 (480)
Largeur de travail avec 2 balai latéral	in (mm)	38.6 (980)
Rendement surfacique théorique		
Rendement surfacique (max.)	ft ² /h (m ² /h)	42200 (3920)
Type de protection		IPX3
Batterie		
Type de batterie		Battery Power / Battery Power+
Capacité de la batterie	Ah	7.5
Tension de la batterie	V	36
Conditions ambiantes		
Température ambiante	°F (°C)	32 to 113 (0 to +45)
Humidité de l'air, non condensante	%	40 - 90
Dimensions et poids		
Longueur	in (mm)	47.25 (1200)

		KM 70/ 30 C Bp Pack
Largeur	in (mm)	30.3 (770)
Hauteur	in (mm)	42.13 (1070)
Poids à vide (poids de transport)	lbs (kg)	72.75 (33)
Poids total autorisé	lbs (kg)	132 (60)
Largeur de la brosse-rouleau	in (mm)	18.9 (480)
Diamètre de la brosse-rouleau	in (mm)	9.4 (240)
Diamètre du balai latéral	in (mm)	12.9 (327)

Cuve à poussière

Volume de la cuve à poussière	gal/lbs (l/kg)	11.9/ 83.8 (45/38)
-------------------------------	----------------	-----------------------

Filtre et système d'aspiration

Système filtrant		Filtre plat plissé
Surface de filtration	ft ² /h (m ² /h)	6.46 (0.6)
Classe de poussières		M
Sous-pression minimale Système d'aspiration	kPa	0.04
Débit nominal Système d'aspiration	l/s	18.6

Moteur de ventilateur (électrique)

Puissance nominale	W	30
--------------------	---	----

Moteur de brosse-rouleau (électrique)

Puissance nominale	W	37.5
--------------------	---	------

Valeurs déterminées selon EN 60335-2-72

Valeur de vibrations main-bras	m/s ²	2.1
Incertitude K	m/s ²	0.2
Niveau de pression acoustique L _{pA}	dB(A)	51
Incertitude K _{pA}	dB(A)	3
Niveau de puissance acoustique L _{WA} + incertitude K _{WA}	dB(A)	74
Incertitude K _{WA}	dB(A)	3

Sous réserve de modifications techniques.

Índice de contenidos

INSTRUCCIONES IMPORTANTES DE SEGURIDAD	19
NORMAS Y PRÁCTICAS DE SEGURIDAD PARA EL FUNCIONAMIENTO	20
MANTENIMIENTO Y PRÁCTICAS DE RECONSTRUCCIÓN	20
NORMA DE SEGURIDAD CONTRA INCENDIOS	21
Avisos generales.....	21
Uso previsto.....	21
Descripción del equipo.....	22
Puesta en funcionamiento	22
Servicio	22
Parada	23
Transporte.....	23
Almacenamiento	24
Cuidado y mantenimiento	24
Ayuda en caso de fallos.....	25
Accesorios/recambios.....	25
Datos técnicos	26

INSTRUCCIONES IMPORTANTES DE SEGURIDAD

LEER TODAS LAS INSTRUCCIONES ANTES DE USAR ESTE APARATO

⚠ ADVERTENCIA

Para reducir el peligro de incendio, choque eléctrico o lesión:

NO DEJAR el equipo desatendido cuando esté enchufado. Desconectar de la toma cuando no se esté utilizando y antes del mantenimiento.

⚠ ADVERTENCIA

PARA REDUCIR EL PELIGRO DE CHOQUE ELÉCTRICO, UTILIZAR ÚNICAMENTE EN INTERIORES

⚠ ADVERTENCIA

NO UTILIZAR PARA LA LIMPIEZA EN SUPERFICIES CON UNA PENDIENTE SUPERIOR A LA MARCADA EN LA MÁQUINA

CUIDADO

LA MÁQUINA DEBERÁ ESTACIONARSE DE FORMA SEGURA

- No deje que el equipo se utilice como si fuera un juguete. Cuando niños usan el equipo o cuando el equipo se encuentra cerca de niños, hay que extremar la precaución.
- Utilizar únicamente como se describe en este manual. Utilizar únicamente los accesorios recomendados por el fabricante.
- No utilizar con un cable o conector dañados. Si el equipo no está funcionando como debería, se ha caído, dañado, dejado al aire libre o caído al agua, devolver a un centro de servicio de reparación.
- No tirar del cable o llevar mediante el cable, no usar el cable como asa, no cerrar una puerta en el cable o tirar del cable alrededor de bordes o esquinas afilados. No pasar el aparato por encima del cable. Mantener el cable alejado de superficies calientes.
- NO TIRAR DEL CONECTOR DE RED TIRANDO DE LA TOMA DE TIERRA DEL CABLE DE CONEXIÓN DE RED. Para desconectar la red eléctrica, tirar del conector de red, no del cable de conexión de red.

- No manipular el conector o el aparato con las manos mojadas.
- No introduzca objetos en las aberturas. No utilice el equipo si las aberturas están obstruidas. Asegúrese de mantenerlas libres de polvo, pelusa, pelo y cualquier cosa que pueda obstruir el flujo de aire.
- Mantener alejado PELO, ROPA, SUCIEDAD SUELTA, DEDOS y todas partes del cuerpo de las aberturas y piezas móviles.
- Desconectar todos los controles antes de desenchufar.
- Tenga especial cuidado cuando limpie escaleras.
- No utilice el equipo para absorber líquidos inflamables o combustibles, como gasolina, y no lo utilice en áreas donde dichos líquidos puedan estar presentes.
- Conectar únicamente a una toma que esté puesta a tierra correctamente. Véanse las instrucciones de puesta a tierra.
- Desconectar siempre el cable de la toma eléctrica antes de realizar el mantenimiento del dispositivo.
- No barrer nunca líquidos explosivos, gases combustibles o ácidos y disolventes no diluidos. Esto incluye gasolina, disolvente o gasóleo que pueden generar humos o mezclas explosivas al entrar en contacto con el aire. También se deben evitar la acetona, los ácidos sin diluir y los disolventes porque pueden dañar los materiales de la máquina.
- No aspirar objetos ardiendo o humeantes.
- El dispositivo no es adecuado para niños, personas con habilidades físicas, sensoriales o mentales limitadas ni personas que no se hayan familiarizado con las presentes instrucciones.
- Utilice el dispositivo únicamente para su uso previsto. Tenga en cuenta las condiciones locales y tenga cuidado con las terceras personas, en particular con los niños, cuando trabaje con el dispositivo.
- Compruebe el dispositivo con el equipo antes de cada uso para asegurarse de que es seguro y funciona correctamente. Utilice el dispositivo únicamente cuando esté en condiciones adecuadas.
- No se pueden realizar cambios en el dispositivo.
- ¡Riesgo de lesiones! Antes de realizar cualquier trabajo en el dispositivo, ponga la rueda de cambio de programa en "0" y retire la batería.
- Riesgo de aplastamiento y rozaduras en las cintas, los cepillos laterales, el recipiente y el asa de empuje.
- ¡Riesgo de lesiones! Utilice guantes de protección resistentes cuando retire vidrio, metal u otros materiales con bordes afilados del recipiente de suciedad.

INSTRUCCIONES DE PUESTA A TIERRA

Este dispositivo debe estar puesto a tierra. En caso de un fallo de funcionamiento o avería, la conexión a tierra proporciona un camino de menor resistencia para que la corriente eléctrica reduzca el peligro de choque eléctrico. Este dispositivo está equipado con un cable que tiene un conductor de puesta a tierra y un conector de puesta a tierra.

El conector debe estar conectado a una toma apropiada que esté instalada y puesta a tierra correctamente conforme a todos los códigos y ordenanzas locales.

⚠ PELIGRO

Una conexión incorrecta del conductor de puesta a tierra del equipo puede causar riesgo de electrocución.

Consultar con un electricista o personal de servicio en caso de dudas acerca la puesta a tierra correcta de la toma. No modificar el conector que se suministra con el producto. Si no encaja en la toma, contratar a un electricista para instalar correctamente la toma.

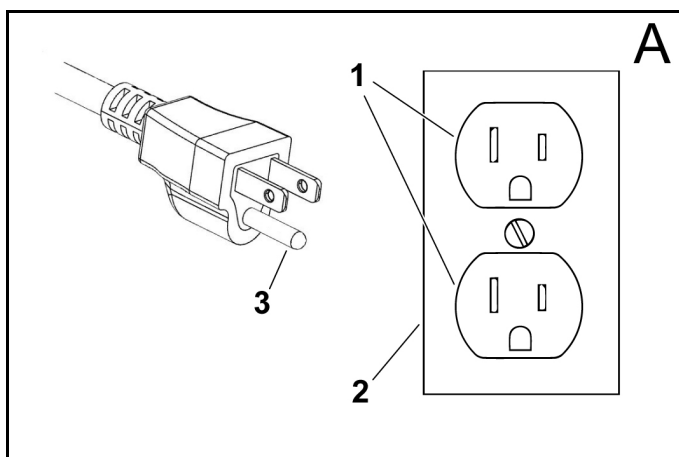
No usar ningún tipo de adaptador con este producto.

Este aparato es para uso en un circuito nominal de 120 voltios y tiene un conector de puesta a tierra parecido al conector que se ilustra en la figura A.

Garantizar que el aparato está conectado a una toma que tenga la misma configuración que el conector.

No se debe usar ningún adaptador con este aparato.

CONECTAR ÚNICAMENTE A UNA TOMA PUESTA A TIERRA CORRECTAMENTE



- ① Toma puesta a tierra
- ② Caja de distribución puesta a tierra
- ③ Polo de puesta a tierra

NORMAS Y PRÁCTICAS DE SEGURIDAD PARA EL FUNCIONAMIENTO

Responsabilidad del propietario/usuario

El propietario y/o el usuario deben haber comprendido las instrucciones de funcionamiento y los avisos del fabricante antes de utilizar el dispositivo.

Deben resaltarse y comprenderse los avisos de advertencia.

Si el operario no sabe inglés, el comprador/propietario debe leer y examinar las instrucciones y las advertencias del fabricante con el operario en la lengua materna del operario, asegurándose de que el operario comprende todo el contenido.

El propietario y/o el usuario debe analizar y guardar las instrucciones del fabricante para referencia en el futuro.

Generalidades

Antes de poner en funcionamiento la unidad, ésta deberá encontrarse en la posición de servicio.

No arrancar ni poner en funcionamiento la unidad, cualquiera de sus funciones o complementos, en otro sitio que no sea la posición designada de operario.

Antes de dejar la posición del operario:

- 1 parar completamente el equipo;
- 2 si el equipo tiene que estar en una inclinación, bloquear las ruedas.

Mantenerse a una distancia segura del borde de rampas, plataformas y otras superficies de trabajo.

No realice modificaciones ni añadidos al equipo.

No bloquear el acceso a las salidas de emergencias de incendios, escaleras o equipo antiincendios.

Conducción

Ceder el paso a peatones y vehículos de emergencias como ambulancias o camiones de bomberos.

Cruce vías de tren en ángulo siempre que sea posible. No aparcar a menos de 1800 mm de la vía del tren.

Mantener una buena vista del camino por el que conduce y preste atención al tráfico, personal y seguridad.

Operar el equipo siempre a una velocidad que permita parar de manera segura.

No permita realizar escenas peligrosas ni jugar con el equipo.

Reducir la velocidad en suelos húmedos y resbaladizos.

Antes de conducir sobre un muelle o puente, asegúrese de que esté bien seguro. Conduzca con cuidado y lentamente por el muelle o puente, y no exceda nunca la capacidad indicada.

Al sortear curvas, reduzca la velocidad a un nivel seguro de acuerdo con el ambiente de funcionamiento. Sortear las curvas con cuidado.

Cuidados del equipo realizados por el operario

Si el equipo necesita ser reparado o es inseguro, o favorece una situación insegura, se deberá informar del problema inmediatamente al encargado designado por el usuario, y no se pondrá en funcionamiento el equipo hasta que se recupere el estado de funcionamiento seguro.

Si el equipo se vuelve inseguro de cualquier modo durante su funcionamiento, se deberá informar del problema inmediatamente al encargado designado por el usuario, y no se pondrá en funcionamiento el equipo hasta que se recupere el estado de funcionamiento seguro.

No realizar reparaciones o ajustes a no ser que se autorizado específicamente.

MANTENIMIENTO Y PRÁCTICAS DE RECONSTRUCCIÓN

El funcionamiento del equipo puede resultar peligroso si no realiza el mantenimiento o se llevan a cabo reparaciones, reconstrucciones o ajustes que no correspondan con los criterios de diseño del fabricante. Por lo tanto, se deben poner a disposición lugares de mantenimiento (en el mismo local o en otro lugar), personal cualificado, y procedimientos detallados.

El mantenimiento e inspección de la unidad se realizará de acuerdo con las siguientes prácticas:

- 1 a un mantenimiento planificado, le seguirán lubricación e inspección del sistema: consulte las recomendaciones del fabricante.
- 2 Sólo se permitirá operar un aparato para limpieza de suelos motorizado a personas formadas y autorizadas. Los operarios de aparatos de limpieza de suelos motorizados deberán estar cualificados y tener la capacidad visual, auditiva, física y mental para operar equipos de forma segura.

Evitar los riesgos de incendios y tener equipo de protección de incendios en el área de trabajo. No usar recipientes abiertos de fuel o líquidos inflamables de limpieza para las limpiar las piezas.

NORMA DE SEGURIDAD CONTRA INCENDIOS

Cualquier unidad que no esté en un estado de funcionamiento seguro será retirada de servicio.

No se realizarán reparaciones en ubicaciones de clase I, clase II y clase III.

Prevención de incendios. Se mantendrá el equipo limpio y sin pelusas, exceso de aceite y grasa en la medida de lo posible.

Es preferible utilizar productos no combustibles para limpiar el equipo. No está permitido utilizar líquidos inflamables [aquellos que tengan puntos de inflamación de o superior a 37,8°C (100°F)]. Se deberá tomar precauciones ante la toxicidad, ventilación e incendios con el producto o disolvente usado.

Visibilidad de la placa identificadora. Las denominaciones de tipo de equipo se indican en la placa identificadora y no se deben cubrir las marcas de tipo con pintura para que no se vea la información de identificación.

Avisos generales



Antes de poner en marcha por primera vez el equipo, lea este manual de instrucciones y el capítulo Instrucciones de seguridad. Actúe

conforme a estos documentos.

Conserve estos documentos para su uso posterior o para propietarios ulteriores.

Comprobación del suministro

Si se detectan desperfectos y daños de transporte en la entrega del vehículo, se debe notificar inmediatamente al distribuidor o concesionario.

Protección del medioambiente



Los materiales de embalaje son reciclables. Eliminar los embalajes de forma respetuosa con el medioambiente.



Los equipos eléctricos y electrónicos contienen materiales reciclables y, a menudo, componentes, como baterías, acumuladores o aceite, que suponen un peligro potencial para la salud de las personas o el medio ambiente en caso de manipularse o eliminarse de forma inadecuada. Sin embargo, dichos componentes son necesarios para un funcionamiento adecuado del equipo. Los equipos identificados con este símbolo no pueden eliminarse con la basura doméstica.

Avisos sobre sustancias contenidas (REACH)

Encontrará información actualizada sobre las sustancias contenidas en: www.kaercher.de/REACH

Garantía

En cada país se aplican las condiciones de garantía indicadas por nuestra compañía distribuidora autorizada. Subsanamos cualquier fallo en su equipo de forma gratuita dentro del plazo de garantía siempre que la causa se deba a un fallo de fabricación o material. En caso de garantía, póngase en contacto con su distribuidor o con el servicio de posventa autorizado más próximo presentando la factura de compra.

(Dirección en el reverso)

Encontrará más información sobre la garantía (si está disponible) en el área de servicio de su página web local de Kärcher en "Downloads".

Accesorios y repuestos

Utilice únicamente accesorios y repuestos originales, estos garantizan un servicio seguro y fiable del equipo.

Encontrará información sobre los accesorios y repuestos en www.kaercher.com.

Niveles de peligro

PELIGRO

• Aviso de un peligro inminente que produce lesiones corporales graves o la muerte.

ADVERTENCIA

• Aviso de una posible situación peligrosa que puede producir lesiones corporales graves o la muerte.

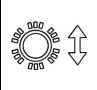



PRECAUCIÓN

• Aviso de una posible situación peligrosa que puede producir lesiones corporales leves.

CUIDADO

• Aviso de una posible situación peligrosa que puede producir daños materiales.

Símbolos en el equipo

	Presión de empuje del cepillo cilíndrico de barrido
	Posición de estacionamiento del cepillo cilíndrico de barrido
	Limpieza del filtro
	Presión de empuje de los cepillos laterales

Uso previsto

Usar la barredora para la limpieza de superficies en espacios interiores y exteriores.

La barredora ha sido concebida para el uso comercial.

Usar la barredora únicamente de conformidad con las indicaciones del presente manual de instrucciones. Cualquier uso distinto al especificado será considerado uso no previsto. El fabricante no asume ninguna responsabilidad por los daños derivados de dicho uso no previsto. El usuario asume todos los riesgos.

No está permitido realizar modificaciones en la barredora. La barredora solo es apta para los recubrimientos indicados en el manual de instrucciones.

Usos erróneos previsibles

El equipo no ha sido concebido para circular por terrenos inclinados.

No barrer ni aspirar nunca líquidos explosivos, gases, ácidos no diluidos ni disolventes (p. ej. gasolina, diluyente, gasóleo) ya que, en combinación con el aire de aspiración, forman vapores o mezclas explosivas.

No barrer ni aspirar nunca acetona, ácidos ni disolventes no diluidos, ya que atacan y dañan los materiales empleados en el equipo.

No barrer ni aspirar nunca polvos reactivos de metal (p. ej., aluminio, magnesio, cinc), ya que en combinación con detergentes muy alcalinos o ácidos forman gases explosivos.

No barrer ni aspirar nunca objetos en llamas o candentes, ya que existe peligro de incendio.

No barrer sustancias perjudiciales para la salud.

El equipo no es apto para barrer líquidos.

Está prohibida la estancia en zonas de peligro. Queda prohibido el uso en espacios con peligro de explosión.

No está permitido empujar/tirar/transportar objetos con este equipo.

Recubrimientos adecuados

El equipo solo es adecuado para los siguientes recubrimientos:

- Asfalto
- Suelo industrial
- Enlucido
- Hormigón
- Adoquines

Descripción del equipo

Barredora para uso comercial.

● KM 70/30 C Bp Pack

Batería y cargador incluidos en el alcance del suministro

Ilustración

Figura A

- ① Asa de transporte
- ② Empuñadura para limpieza del filtro
- ③ Cepillo lateral derecho
- ④ Empuñadura giratoria para la presión de empuje de los cepillos laterales
- ⑤ Desbloqueo de la aspiración de polvos
- ⑥ Cubierta del ventilador de la aspiración de polvos
- ⑦ Superficie de colocación para accesorios, carga máxima 5 kg
- ⑧ Empuñadura en estrella para el ajuste del asa de empuje (2 uds.)
- ⑨ Batería
- ⑩ Cargador
- ⑪ Asa de empuje
- ⑫ Junta del recipiente para la suciedad
- ⑬ Cepillo cilíndrico de barrido
- ⑭ Placa de características
- ⑮ Tapa del alojamiento de la batería
- ⑯ Interruptor de programa
- ⑰ Desbloqueo de la batería
- ⑱ Alojamiento de la batería
- ⑲ Palanca para la presión de empuje del cepillo cilíndrico de barrido (superficie de barrido)
- ⑳ Junta de la aspiración de polvos
- ㉑ Ventilador de la aspiración de polvos
- ㉒ Asa del recipiente para la suciedad
- ㉓ Filtro plegado plano
- ㉔ Orejeta de fijación
- ㉕ Cepillo lateral izquierdo
- ㉖ Recipiente para la suciedad, extraíble

Puesta en funcionamiento

Montaje del asa de empuje

1. Posicionar el asa de empuje en el equipo.

Figura B

- ① Tornillo
 - ② Asa de empuje
 - ③ Empuñadura en estrella
 - ④ Arandela
2. Insertar el tornillo a través del soporte del asa de empuje y el asa de empuje.
 3. Colocar la arandela.
 4. Colocar la empuñadura en estrella y apretarla.
 5. Repetir el proceso en el lado opuesto.

Ajuste del asa de empuje

1. Aflojar las dos empuñaduras en estrella.

Figura C

- ① Empuñadura en estrella
 - ② Asa de empuje
2. Tirar hacia atrás del asa de empuje y girarla hasta la posición deseada.
 3. Empujar hacia delante la barra de empuje y engancharla.
 4. Apretar las empuñaduras en estrella.

Montaje del cepillo lateral

Los cepillos laterales se entregan junto con el equipo y deben fijarse al equipo antes de la puesta en funcionamiento. Véase el capítulo "Cambio de los cepillos laterales".

Carga/colocación de la batería

Cargar la batería antes de la puesta en funcionamiento. Tener en cuenta las instrucciones de carga y funcionamiento que figuran en el manual de instrucciones y en las instrucciones de seguridad adjuntas a la batería y al cargador.

1. Girar hacia arriba la tapa del alojamiento de la batería.

Figura D

- ① Alojamiento de la batería
 - ② Batería
 - ③ Tapa del alojamiento de la batería
2. Insertar la batería cargada en el alojamiento de la batería, empujarla hacia dentro hasta el tope y encajarla.
 3. Volver a cerrar la tapa del alojamiento de la batería.

Servicio

Selección del programa

1. Girar el interruptor de programa al programa de lavado deseado.

Figura E

- ① 0 - El equipo está desconectado
- ② Barrido
- ③ Barrido y aspiración

CUIDADO

Peligro de daños

Las cintas de embalaje, alambres o similares pueden dañar el mecanismo de barrido.

Mantener las cintas de embalaje, alambres o similares alejados del equipo.

Nota

Adaptar la velocidad de conducción según las circunstancias para obtener un resultado de limpieza óptimo.

Vaciar el recipiente para la suciedad a intervalos regulares.

Bajar los cepillos laterales para limpiar los bordes laterales.

Nota

En la cubierta del ventilador de aspiración de polvos puede colocarse un cubo u otro recipiente de hasta 5 kg como máximo.

1. Si es necesario, fijar el recipiente a la cubierta con una correa tensora. Pasar la correa tensora por el ojal de fijación.
2. Girar los cepillos laterales hacia arriba o hacia abajo en función de la tarea.

Nota

El polvo levantado por los cepillos laterales no se aspira. Usar los cepillos laterales únicamente para barrer los bordes.

3. Ajustar el interruptor de programa en barrido o barrido y aspiración.

Nota

Usar el programa de barrido y aspiración únicamente cuando el suelo esté seco.

4. Deslizar el equipo por la superficie que se va a barrer.

Ajuste de la presión de empuje del cepillo cilíndrico de barrido

1. Extraer, reajustar y bajar la palanca para la presión de empuje del cepillo cilíndrico de barrido.

Figura F

- ① Palanca para la presión de empuje del cepillo cilíndrico de barrido
 - 5 - Máxima presión de empuje
 - 1 - Mínima presión de empuje
 - P - Cepillo cilíndrico de barrido elevado

Nota

A mayor presión de empuje, mayores necesidades de energía y menor tiempo de aplicación.

Nota

Para aparcar y transportar el equipo, colocar la palanca en la posición "P". El cepillo cilíndrico de barrido se eleva completamente y se evitan daños en las cerdas.

Ajuste de la presión de empuje de los cepillos laterales

1. Girar la empuñadura giratoria para la presión de empuje de los cepillos laterales en la dirección deseada.

Figura G

- ① Empuñadura giratoria para la presión de empuje de los cepillos laterales
 - + Aumentar la presión de empuje
 - Reducir la presión de empuje

1. Presionar ligeramente el asa de empuje para que el equipo se eleve por delante.

Figura H

2. Deslizar el equipo sobre la suciedad gruesa con la parte delantera elevada.
3. Bajar de nuevo el equipo.

⚠ ADVERTENCIA

Peligro de lesiones

Si el cepillo cilíndrico de barrido está girando pueden producirse lesiones.

Antes de retirar el recipiente para la suciedad, desconectar el equipo y esperar hasta que el cepillo cilíndrico de barrido deje de girar.

Nota

En la medida de lo posible, vaciar el recipiente para la suciedad al aire libre ya que se desprende polvo.

1. Girar el selector de programas a "0" y esperar hasta que el cepillo cilíndrico de barrido deje de girar.
2. Tirar y soltar varias veces la empuñadura de limpieza del filtro.
3. Desbloquear la aspiración de polvos y girarla hacia arriba.
4. Tirar hacia arriba del asa del recipiente para la suciedad y sacarlo del equipo.
5. Desechar la suciedad barrida conforme a las prescripciones locales.

Figura I

CUIDADO

Peligro de daños

Para vaciar el recipiente para la suciedad, no golpearlo contra otros objetos.

Parada

Si el equipo no se va a utilizar durante mucho tiempo, ejecutar los siguientes puntos.

1. Depositar el equipo sobre una superficie plana.
2. Girar el interruptor de programa a "0".
3. Colocar la palanca para la presión de empuje del cepillo cilíndrico de barrido en la posición "P".
4. Retirar la batería.
5. Limpiar el interior y el exterior del equipo.
6. Depositar el equipo en un lugar seco y protegido.

Transporte

⚠ PRECAUCIÓN

Riesgo de daños y lesiones

Tenga en cuenta el peso del equipo durante el transporte.

1. Girar el interruptor de programa a "0".
2. Colocar la palanca para la presión de empuje en la posición "P".
3. Para cargar y descargar el equipo, elevarlo por las asas de transporte.
4. Asegurar el equipo a las ruedas con cuñas.
5. Asegurar el equipo con cuerdas o correas de sujeción.
6. Al transportar el equipo en vehículos, asegurarlo para evitar que resbale y vuelque conforme a las directrices vigentes.

Almacenamiento

⚠️ ADVERTENCIA

Riesgo de daños y lesiones

Tenga en cuenta el peso del equipo.

1. Ejecutar la parada.
2. Respetar los avisos incluidos en el manual de instrucciones de la batería relacionados con el almacenamiento.

Cuidado y mantenimiento

Avisos generales

⚠️ PELIGRO

Peligro de lesiones y accidentes por movimiento involuntario del equipo

Antes de realizar cualquier trabajo de mantenimiento o conservación, desconectar el equipo y retirar la batería.

Limpieza del equipo

⚠️ PRECAUCIÓN

Peligro de cortocircuito debido a chorro de agua

No limpie el equipo con mangueras o agua de alta presión.

⚠️ PELIGRO

Riesgo para la salud debido al polvo

Lleve una máscara antipolvo y gafas al realizar tareas de limpieza con aire comprimido.

CUIDADO

Peligro de daños de las superficies

No emplee detergentes agresivos ni abrasivos para la limpieza.

1. Sople el interior del equipo con aire comprimido.
2. Limpie el equipo por dentro y por fuera con un paño humedecido en lejía suave.

Intervalos de mantenimiento

La ejecución de los trabajos de mantenimiento se describe en el capítulo "Trabajos de mantenimiento".

Diariamente

1. Comprobar la presencia de desgaste y de cintas enrolladas en el cepillo cilíndrico de barrido y los cepillos laterales.
2. Comprobar el funcionamiento de los elementos de control.

Semanalmente

1. Comprobar los filtros plegados planos.
2. Comprobar si las piezas móviles se mueven con facilidad.
3. Comprobar el desgaste de los cubrejuntas en el área de barrido.

Cada seis meses

1. Comprobar la tensión, el desgaste y el funcionamiento de las correas de accionamiento.

En caso de desgaste

1. Sustituya los cubrejuntas.
2. sustituir el cepillo cilíndrico de barrido.
3. Cambiar los cepillos laterales.

Trabajos de mantenimiento

Nota

Todos los trabajos de servicio y mantenimiento al realizar el mantenimiento a través del cliente debe realizarlos un técnico especializado cualificado. En caso necesario, existe la posibilidad de ponerse en contacto con las tiendas especializadas de Kärcher en cualquier momento.

1. Depositar el equipo sobre una superficie plana.
2. Girar el interruptor de programa a "0".
3. Retirar la batería.

Cambio de los cepillos laterales

1. Girar los cepillos laterales hacia arriba.
2. Desatornillar el cierre del lado inferior.
 - a Abrir: girar en sentido antihorario
 - b Cerrar: girar en sentido horario

Figura J

- ① Cierre
- ② Cepillos laterales
- ③ Alojamiento
3. Desmontar los cepillos laterales.
4. Si es necesario, limpiar el alojamiento.
5. Insertar el nuevo cepillo lateral en el alojamiento y fijarlo con el cierre.

Cambio del cepillo cilíndrico de barrido

El cepillo cilíndrico de barrido debe sustituirse cuando el resultado del barrido disminuya visiblemente y ya no sea posible ajustarlo con "Palanca para la presión de empuje del cepillo cilíndrico de barrido".

1. Retirar el recipiente para la suciedad.
2. Colocar la palanca para la presión de empuje del cepillo cilíndrico de barrido en la posición "P".
3. Desatornillar 2 tornillos a cada lado del cepillo cilíndrico de barrido.

Figura K

- ① Tornillo
- ② Mitades del cepillo cilíndrico de barrido
- ③ Pasador arrastrador
- ④ Eje del cepillo cilíndrico de barrido
4. Separar las mitades del cepillo cilíndrico de barrido y retirarlas.
5. Colocar las nuevas mitades del cepillo en el eje del cepillo cilíndrico de barrido. Asegurarse de que el pasador arrastrador esté asentado correctamente.
6. Enroscar y apretar el tornillo.

Sustitución de los cubrejuntas

1. Desatornillar los tornillos tal y como se muestra en la imagen correspondiente.
2. Quitar el cubrejuntas y sustituirlo por uno nuevo.
3. Volver a enroscar y apretar el tornillo.

Figura L

Cubrejuntas delantero (en el recipiente para la suciedad)

Figura M

Cubrejuntas trasero

Figura N

Cubrejuntas laterales

Cambio del filtro plegado plano

⚠ PELIGRO

Riesgo para la salud debido al polvo

Llevar una máscara antipolvo y gafas de protección al realizar tareas en la instalación de los filtros.

1. Tirar y soltar varias veces la empuñadura de limpieza del filtro.
2. Soltar el desbloqueo y girar hacia arriba la cubierta de la aspiración de polvos.
3. Sacar el filtro plegado plano e insertar uno nuevo.

Figura O

- ① Aspiración de polvos
- ② Filtro plegado plano

Ayuda en caso de fallos

Nota

En caso de cualquier avería no enumerada, ponerse en contacto con el servicio de postventa (asistencia técnica).

⚠ ADVERTENCIA

Peligro de lesiones

Si el cepillo cilíndrico de barrido y los cepillos laterales están girando pueden producirse lesiones. Desconectar el equipo y esperar hasta que el cepillo cilíndrico de barrido y los cepillos laterales dejen de girar.

El equipo no arranca

- Colocar la batería.
- Presionar la batería completamente hacia abajo hasta que encaje en su sitio.
- Cargar la batería.

Potencia de barrido no satisfactoria

- Ajustar el cepillo cilíndrico de barrido y los cepillos laterales en función de la orden de limpieza.
- El cepillo cilíndrico de barrido y el cepillo lateral están demasiado desgastados, sustituirlos.
- Comprobar la presencia de desgaste en los cubrejuntas y sustituirlos si es necesario.

El equipo levanta polvo

- Vacíe el recipiente para la suciedad.
- Comprobar el filtro, sustituirlo si es necesario.
- Comprobar la presencia de desgaste en los cubrejuntas y sustituirlos si es necesario.

Mal resultado de barrido en los márgenes

- Cambiar los cepillos laterales.
- Comprobar la presencia de desgaste en los cubrejuntas y sustituirlos si es necesario.

Potencia de aspiración insuficiente

- Comprobar la junta de la aspiración de polvos.
- Comprobar la junta del recipiente para la suciedad.

El cepillo cilíndrico de barrido no gira

- Quitar las cintas o cordones del cepillo cilíndrico de barrido.
- Ajustar la palanca para la presión de empuje del cepillo cilíndrico de barrido a un valor inferior.

La presión de empuje del cepillo cilíndrico de barrido no puede modificarse

- Desmontar y limpiar el cubrejuntas trasero como se muestra en la figura M.

Accesorios/recambios

A continuación se presenta (en resumen) una vista general de piezas de desgaste o accesorios disponibles de manera opcional.

Accesorios	Descripción	N.º de pedido
Cepillos laterales	Cepillos laterales estándar	2.644-447.0
Cepillo cilíndrico de barrido	Cepillo cilíndrico de barrido, estándar	6.907-783.0
	Cepillo cilíndrico de barrido, duro	4.762-689.0
Filtro de polvo	Filtro plegado plano	6.904-176.0
Batería "Battery Power+ 36/75 DW"	Batería de alto rendimiento 36 V, 7,5 Ah *CUL	2.445-075.0
Cargador «Battery Power+»	Cargador rápido 36 V/60 Hz *CUL	2.445-053.0
Labios de sellado	Delante (recipiente para la suciedad)	5.030-124.0
	Lateral	2.644-436.0
	Detrás	5.032-334.0
Recogedor de suciedad gruesa		2.640-908.0
Bolsa Homebase		5.032-196.0
Cubo "Flexomate"		2.855-249.0

Datos técnicos

		KM 70/ 30 C Bp Pack
Datos de potencia del equipo		
Ancho útil	in (mm)	18.9 (480)
Ancho útil con 2 cepillos laterales	in (mm)	38.6 (980)
Rendimiento teórico en superficie		
Rendimiento en superficie (máx.)	ft ² /h (m ² /h)	42200 (3920)
Tipo de protección		IPX3
Batería		
Tipo de batería		Battery Power/ Battery Power+
Capacidad de la batería	Ah	7.5
Tensión de funcionamiento de la batería	V	36
Condiciones ambientales		
Temperatura ambiente	°F (°C)	32 to 113 (0 to +45)
Humedad del aire, sin formación de rocío	%	40 - 90
Peso y dimensiones		
Longitud	in (mm)	47.25 (1200)
Anchura	in (mm)	30.3 (770)
Altura	in (mm)	42.13 (1070)
Tara (peso para el transporte)	lbs (kg)	72.75 (33)
Peso total admisible	lbs (kg)	132 (60)
Cepillo cilíndrico de barrido ancho	in (mm)	18.9 (480)
Diámetro del cepillo cilíndrico de barrido	in (mm)	9.4 (240)
Diámetro de cepillo lateral	in (mm)	12.9 (327)
Recipiente para la suciedad		
Volumen del recipiente para la suciedad	gal/lbs (l/kg)	11.9/ 83.8 (45/ 38)
Filtro y sistema de aspiración		
Sistema de filtros		Filtro plegado plano
Superficie de filtrado	ft ² /h (m ² /h)	6.46 (0.6)
Tipo de polvo		M
Baja presión nominal del sistema de aspiración	kPa	0.04
Caudal nominal del sistema de aspiración	l/s	18.6

KM 70/
30 C Bp
Pack

Motor del ventilador (eléctrico)

Potencia nominal W 30

Motor del cepillo cilíndrico de barrido (eléctrico)

Potencia nominal W 37.5

Valores calculados conforme a EN 60335-2-72

Nivel de vibraciones mano-brazo m/s² 2.1

Inseguridad K m/s² 0.2

Nivel de presión acústica L_{pA} dB(A) 51

Inseguridad K_{pA} dB(A) 3

Intensidad acústica L_{WA} + dB(A) 74

Inseguridad K_{WA} dB(A) 3

Nos reservamos el derecho a realizar modificaciones.



THANK YOU!

MERCI! DANKE! ¡GRACIAS!



Registrieren Sie Ihr Produkt und profitieren Sie von vielen Vorteilen.

Register your product and benefit from many advantages.

Enregistrez votre produit et bénéficiez de nombreux avantages.

Registre su producto y aproveche de muchas ventajas.

www.kaercher.com/welcome

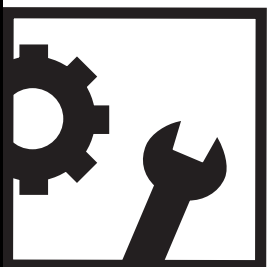


Bewerten Sie Ihr Produkt und sagen Sie uns Ihre Meinung.

Rate your product and tell us your opinion.

Évaluer votre produit et dites-nous votre opinion.

Reseñe su producto y díganos su opinión.



www.kaercher.com/dealersearch

Alfred Kärcher SE & Co. KG

Alfred-Kärcher-Str. 28-40

71364 Winnenden (Germany)

