

# KÄRCHER

makes a difference

**G 3200 P**  
1.107-533.0

**G 3400 P**  
1.107-534.0

**G 3600 P**  
1.107-535.0

## Operator Manual

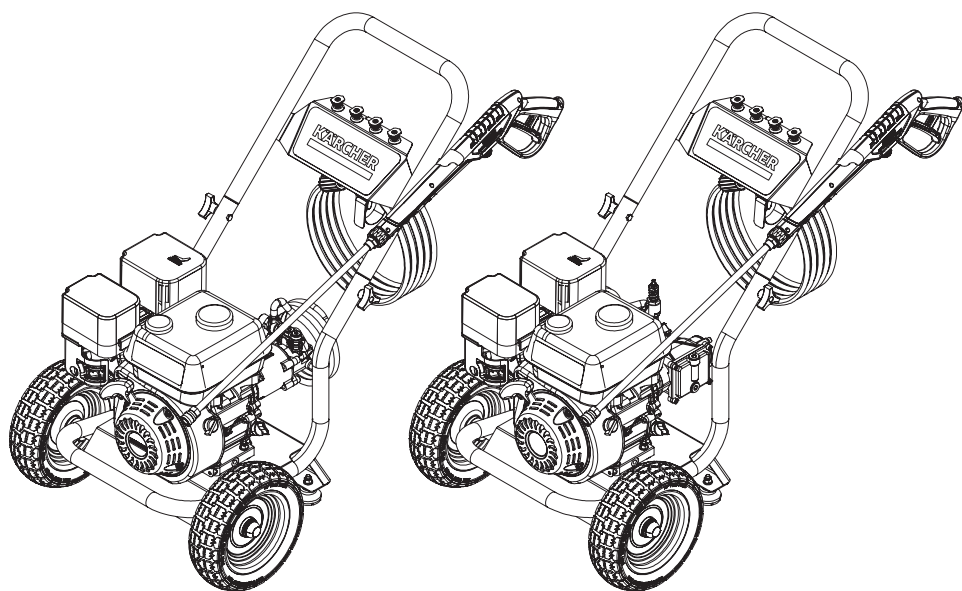
Gas Pressure Washer.....2

## Manuel d'utilisation

Laveuse à pression à gaz.....20

## Manual de Usuario

Hidrolavadora a presión de gas.....41



**Cleaner. Quicker.™**

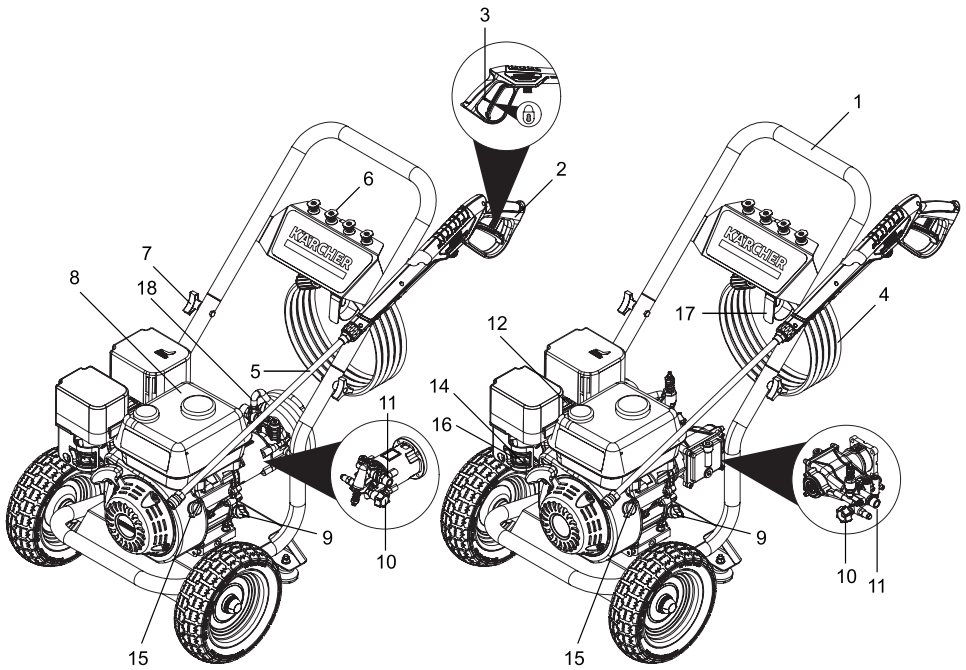


9.808-268.0 - B 03/26

# MODEL OVERVIEW

- |   |                       |    |  |
|---|-----------------------|----|--|
| 1 | Handle                | 10 | Water inlet for garden hose            |
| 2 | Spray gun             | 11 | High pressure outlet                   |
| 3 | Spray gun safety lock | 12 | Spark plug                             |
| 4 | High pressure hose    | 13 | Water inlet filter (installed in pump) |
| 5 | Spray wand            | 14 | Choke                                  |
| 6 | Quick connect nozzles | 15 | On/Off Switch                          |
| 7 | Knob                  | 16 | Fuel switch                            |
| 8 | Fuel Tank             | 17 | Strap                                  |
| 9 | Oil Dipstick          | 18 | Siphon hose with filter                |

*\*For engine details see engine manual.*



# HIGH PRESSURE WASHER OPERATOR MANUAL

## Content

Model Overview	2
General Information	4
Customer Service	5
Important Safety Instructions	5
Assembly Instructions	7
Operating Instructions	9
Using the Accessories	10
Working With Detergents	11
Taking a Break	12
Shutting Down & Clean-Up	12
Winterizing and Long-Term Storage	13
Maintenance Instructions	13
Cleaning Tips	14
Troubleshooting	16
Warranty Information	18

## Specifications

G 3400 P	
Max Pressure	3400 PSI
Max Water Flow	2.5 GPM
Detergent Suction	0.16 GPM
Engine	Karcher KXS Series
Fuel Type	Unleaded Gasoline
Fuel Tank Size	0.95 gal (3.6 L)
Engine Oil Type	SAE 10W-30
Engine Oil Capacity	0.63 US qt (0.6 L)
Part No.	1.107-534.0
Nozzle - Yellow, 15 deg	3400 PSI at 2.5 GPM
Nozzle - Green, 25 deg	3200 PSI at 2.6 GPM
Nozzle - White, 40 deg	2900 PSI at 2.7 GPM
Nozzle - Black, 60 deg	900 PSI at 2.8 GPM
Nozzle kit Part No.	8.758-924.0

## Specifications

G 3200 P	
Max Pressure	3200 PSI
Max Water Flow	2.4 GPM
Detergent Suction	0.15 GPM
Engine	Karcher KXS Series
Fuel Type	Unleaded Gasoline
Fuel Tank Size	0.95 gal (3.6 L)
Engine Oil Type	SAE 10W-30
Engine Oil Capacity	0.63 US qt (0.6 L)
Part No.	1.107-533.0
Nozzle - Yellow, 15 deg	3200 PSI at 2.4 GPM
Nozzle - Green, 25 deg	2900 PSI at 2.5 GPM
Nozzle - White, 40 deg	2600 PSI at 2.6 GPM
Nozzle - Black, 60 deg	900 PSI at 2.8 GPM
Nozzle kit Part No.	8.759-082.0

G 3600 P	
Max Pressure	3600 PSI
Max Water Flow	2.6 GPM
Detergent Suction	0.16 GPM
Engine	Karcher KXS Series
Fuel Type	Unleaded Gasoline
Fuel Tank Size	0.95 gal (3.6 L)
Engine Oil Type	SAE 10W-30
Engine Oil Capacity	0.63 US qt (0.6 L)
Part No.	1.107-535.0
Nozzle - Yellow, 15 deg	3600 PSI at 2.6 GPM
Nozzle - Green, 25 deg	3200 PSI at 2.7 GPM
Nozzle - White, 40 deg	2900 PSI at 2.7 GPM
Nozzle - Black, 60 deg	900 PSI at 2.8 GPM
Nozzle kit Part No.	8.759-082.0

# GENERAL INFORMATION

## Proper Use

This high-pressure cleaner is designed:

- To clean machines, vehicles, buildings, tools, facades, decks, patios, driveways, walkways, garden equipment etc. (Detergents may be required in some cleaning scenarios).

- To be used with accessories, replacement parts and detergents approved by KÄRCHER. Observe the instructions provided with these detergents.

## Environmental Protection



The packaging material can be recycled. Please do not place the packaging into the ordinary refuse for disposal, but arrange for the proper recycling.



Old appliances contain valuable materials that can be recycled. Please arrange for the proper recycling of old appliances. Please dispose your old appliances using appropriate collection systems.

## Notes about the ingredients (REACH)

You will find current information about the ingredients at:

[www.kaercher.com/REACH](http://www.kaercher.com/REACH).

## Safety Alert Symbols

### DANGER

Indication of an imminent threat of danger that will lead to severe injuries or even death.

### WARNING

Indication of a potentially dangerous situation that may lead to severe injuries or even death.

### CAUTION

Indication of a potentially dangerous situation that may lead to minor injuries.

### ATTENTION

Indication of a potentially dangerous situation that may lead to damage to property.

## Owner / User Responsibility



Please read and comply with these original instructions prior to the initial operation of your appliance and store them for later use or subsequent owners.

The owner and/or user must have an understanding of the manufacturer's operating instructions and warnings before using this pressure washer. Warning information should be emphasized and understood. If the operator is not fluent in english, the manufacturer's instructions and warnings shall be read to and discussed with the operator in the operator's native language by the purchaser/owner, making sure that the operator comprehends its contents. Owner and/or user must study and maintain for future reference the manufacturer's instructions.

The operator must know how to stop the pressure washer quickly, and understand the operations of all controls.

## Save This Instructions

QR Code Label should be considered a permanent part of this pressure washer and should remain with it if resold.

## Read Engine Manual

Read engine manual (which is separate from this manual) before starting.

## SAVE THESE INSTRUCTIONS

## CUSTOMER SERVICE

### Registration

Your device must be registered in order to help with any questions or issues that you have. You can register your device at [www.kaercher-register.com](http://www.kaercher-register.com) if located in the U.S.A., [www.kaercher.com/ca](http://www.kaercher.com/ca) if located in Canada, or [www.kaercher.com/mx](http://www.kaercher.com/mx) if located in Mexico.

# CUSTOMER SERVICE

## Warranty

In the case of a warranty claim, you can contact customer support. Please see the contact information listed below for either the USA, Canada, or Mexico. You **MUST** provide your proof of purchase in order to file a warranty claim either via e-mail, phone, or fax.

## USA Customer Service

You can contact our Customer Service department by phone at **1-800-537-4129** or via the website at **[www.karcher-help.com](http://www.karcher-help.com)**.

## Canada Customer Service


You can contact our Customer Service department by phone at **1-800-465-4980** or via the website at **[www.karcher.com/ca](http://www.karcher.com/ca)**.

## Mexico Customer Service

You can contact our Customer Service department by phone at **01-800-024-1313** or via the website at **[www.karcher.com/mx](http://www.karcher.com/mx)**.

# IMPORTANT SAFETY INSTRUCTIONS



 Read the operating instructions of the engine manufacturer before start-up and follow the safety instructions carefully.

## WARNING

When using this product, basic precautions should always be followed, including the following:

- Read all instructions before using product.
- To reduce the risk of injury, close supervision is necessary when a product is used near children.
- High pressure cleaners shall not be used by children or untrained personnel.
- Know how to stop the product and bleed pressures quickly. Be thoroughly familiar with the controls.
- Stay alert - watch what you are doing.
- Do not operate when fatigued or under the influence of alcohol or drugs.
- Keep operating area clear of all persons.
- Do not overreach or stand on unstable support. Keep good footing and balance at all times.
- Follow the maintenance instructions specified in the manual.
- To avoid risks, all repairs and replacements should only be carried out by trained personnel.
- High pressure hoses, fittings and couplings are important for the safety of the machine. Use only hoses, fittings and couplings recommended by the manufacturer.

## WARNING

Risk of injection or injury - Do not direct discharge stream at persons or animals.

- High pressure jets can be dangerous if misused. The jet must not be directed at persons, animals, electrical devices, or the unit itself.
- Do not direct the jet against yourself or others in order to clean clothes or foot-wear.
- Do not use the machine within range of persons unless they wear protective clothing.
- To ensure machine safety, use only original spare parts from the manufacturer or approved by the manufacturer.

## DANGER

Do not spray electrical connections, electrical outlets or fixtures.

## WARNING

Risk of explosion - Do not spray flammable liquids. Operate only where open flame or torch is permitted.

- Do not use acids, solvents, or any alkaline or flammable material in this product. These products can cause physical injuries to the operator and irreversible damage to the machine.

## CAUTION

Gun kicks back - Hold with both hands.

- The trigger gun safety lock prevents the trigger from accidentally being engaged. This safety feature must be engaged when replacing nozzles or not in use.

## IMPORTANT SAFETY INSTRUCTIONS

### **WARNING**

Risk of asphyxiation - Use this product only in a well ventilated area.

- Ensure that any exhaust emissions are not in the vicinity of air intakes.
- Operate and fuel the machine in a well-ventilated area, free of devices featuring an open pilot or flame such as boilers, water heaters, etc.
- Running this product indoors can result in death due to carbon monoxide, a poisonous gas you cannot see or smell. Never operate indoors, even if windows and doors are open. Only use outdoor and far away from windows, doors, and openings or vents.
- During use of high pressure cleaners, aerosols may be formed. Inhalation of aerosols can be hazardous to health.
- Do not use the machine if a supply cord or important parts of the machine are damaged, e.g. safety devices, high pressure hoses, trigger gun.

### **WARNING**

Incorrect fuels shall not be used as they may prove hazardous.

### **WARNING**

Always switch off the on/off switch when leaving the machine unattended.

### **WARNING**

Risk of fire - Do not add fuel when the product is operating or still hot.

### **CAUTION**

Do not operate if fuel has been spilled. Instead, move the machine to different location and avoid creating sparks.

- This machine has hot surfaces which can cause burns. Operate in a safe environment and away from children.
- Do not touch hot surfaces or allow accessories to contact hot surfaces.
- Do not leave the machine running unattended.
- Avoid tipping machine on its side.

### **WARNING**

Serious injury can result from high pressure discharge produced by pressure washers. Keep out of reach of children.

### **WARNING PROP 65**

This product can expose you to chemicals including Lead and Diisononyl Phthalate, which are known to the State of California to cause cancer, birth defects, or other reproductive harm. For more information, go to [www.P65Warnings.ca.gov](http://www.P65Warnings.ca.gov). Wash hands after handling.

## SAVE THIS INSTRUCTIONS

### Water Supply (Cold Water Only)

### **WARNING**



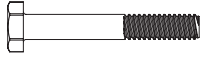



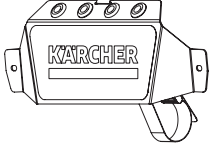
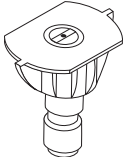
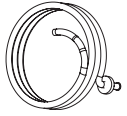



Water that has flowed through backflow preventers is considered to be non potable. Use a water filter to avoid potential damage from dirt in the water supply.

- The garden hose must be at least 5/8 inch inside diameter.
- Flow rate of water supply must not fall below 2.64 GPM (Gallons per minute) / 10 L/Min (Liters per minute).
- Flow rate can be determined by running the water for one minute into an empty 5 Gallon bucket (20 Liter container).

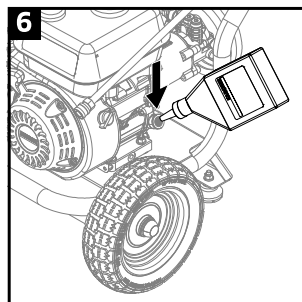
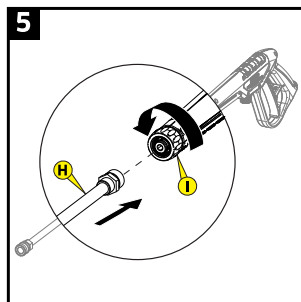
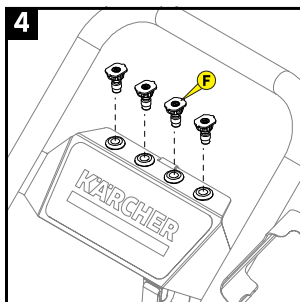
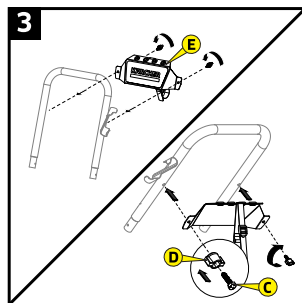
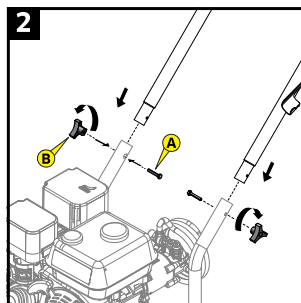
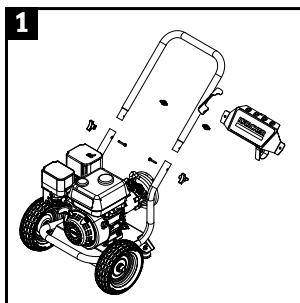
- Supply water pressure must be greater than 40 PSI.
- The water supply temperature must not exceed 104°F/40°C.
- Never use the pressure washer to draw in water contaminated with solvents, e.g. paint thinners, fuel, oil, etc.
- Always prevent debris from being drawn into the unit by using a clean water source. Use additional water filter.
- Do not operate pressure washer without the water turned on.

# ASSEMBLY INSTRUCTIONS

## Hardware (Included)

	Spare Part No.	Description	Purpose	Illustration	Qty.
<b>A</b>	9.803-869.0	Hexagonal 1/4" Bolt	Handle assembly		2
<b>B</b>		Knob	Handle assembly		2
<b>C</b>	9.803-879.0	Hexagonal 1/4" Bolt	Nozzle holder assembly		2
<b>D</b>		Nozzle Holder Knob	Nozzle holder assembly		2
<b>E</b>	For G 3200 P and G 3400 P: 8.934-214.0 For G 3600 P: 8.934-237.0	Nozzle holder	Nozzle holder assembly		1
<b>F</b>	For G 3200 P and G 3600 P: 8.759-082.0 For G 3400 P: 8.758-924.0	Quick connect nozzle kit	Nozzle kit assembly		1
<b>G</b>	8.929-633.0	Detergent siphon hose	Detergent hose assembly		1
<b>H</b>	9.112-533.0	Spray wand	Spray gun assembly		1
<b>I</b>	8.641-024.0	Spray Gun	Spray gun assembly		1
<b>J</b>	For G 3200 P: 8.759-098.0 For G 3400 P and G 3600 P: 8.760-638.0	High pressure hose	Spray gun assembly		1

## Assembling



### → Illustration 2:

Attach handle to the frame of the pressure washer. Align the holes, insert hexagonal bolts (A), and tighten with knobs (B).

### → Illustration 3:

Insert hexagonal bolts (C) on the nozzle holder knobs (D). Mount nozzle holder (E) as shown in the illustration, align the holes, insert bolt (C) and knob (D), and tighten.

### → Illustration 4:

Place quick connect nozzle kit (F) in the nozzle holder.

### → Illustration 5:

Push wand (H) into trigger gun (I) and then thread the connection.

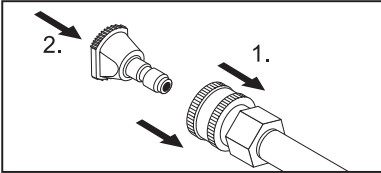
### → Illustration 6:

Remove cap/dipstick from the engine and add correct amount of oil. Be sure oil level is between "FULL / MAX" and "ADD / MIN" marks on dipstick with machine on level surface. Place cap/dipstick back.

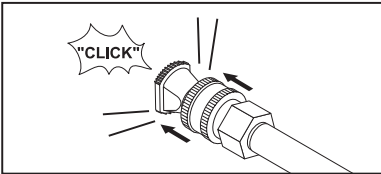
# OPERATING INSTRUCTIONS

## → STEP 1:

Pull the spring-loaded collar of the wand back to insert your choice of quick connect nozzle.



Release the collar and push the nozzle until the collar clicks.



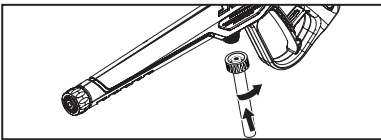
## ⚠ CAUTION

High pressure in nozzle area.  
Risk of injury caused by improperly locked nozzle.

- Make sure you hear a "click" when inserting the nozzle tip into the wand.
- Pull the nozzle to make sure it is seated properly before operating your unit.

## → STEP 2:

Attach the high pressure hose to the trigger gun. Make sure to screw the hose all the way into the trigger gun.



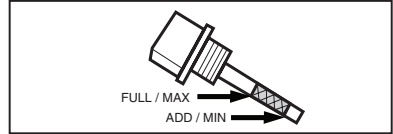
## ⚠ CAUTION

Engine shipped without oil. Before starting engine, fill with oil. Do not over-fill. Do not run the engine with a high or low oil level as this can cause engine damage.

If you have further questions regarding the engine, please refer to the engine manual included with the unit.

## → STEP 3:

Check the oil level. The oil level should always be between the "FULL" and "ADD" marks or the "MAX" and "MIN" marks on the dipstick, as shown below.



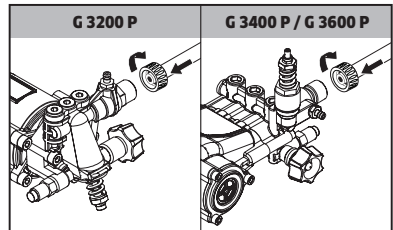
Be sure the machine is level when checking the oil level. (Refer to the engines operating manual for seasonal grades).

## → STEP 4:

Fill gasoline tank with unleaded gasoline. **Do not use leaded gasoline. Consult engine manual for appropriate octane rating.**  
**Do not add oil to the gasoline.**

## → STEP 5:

Connect the high pressure hose to the high pressure outlet on the pump.

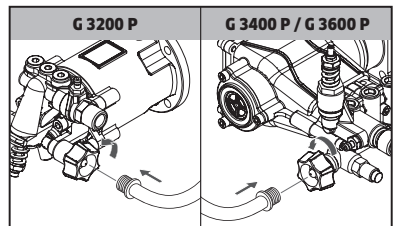


## ⚠ WARNING

High pressure hoses, fittings and couplings are important for the safety of the appliance. Use only hoses, fittings and couplings recommended by the manufacturer.

## → STEP 6:

Connect garden hose to unit's water inlet



# OPERATING INSTRUCTIONS

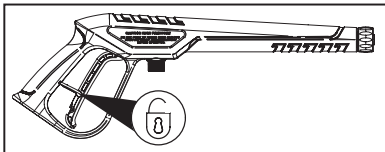
## → STEP 7:

Connect garden hose to the cold water source and turn water completely on.

**Do not use hot water. (Water supply temperature must not exceed 104°F/40°C).**

## → STEP 8:

Unlock the trigger gun safety lock. Pull Trigger gun to eliminate trapped air, wait for a steady flow of water to emerge from the spray nozzle.



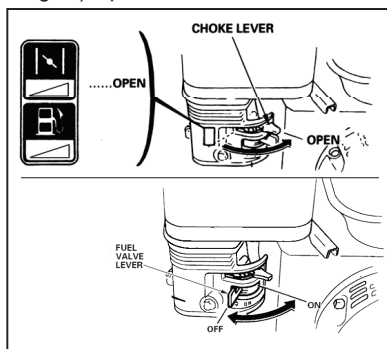
## ⚠ WARNING

Starter cord kickback (rapid retraction) can result in bodily injury. Kickback will pull hand and arm toward engine faster than you can let go. ALWAYS relieve spray gun pressure before pulling starter cord. Pull starter cord slowly until resistance is felt, then pull rapidly

*For engine details see engine manual.*

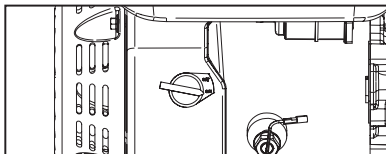
## → STEP 9:

Open choke lever (RUN position on a warm engine), open fuel valve.



## → STEP 10:

Turn ON/OFF switch to ON position.



## → STEP 11:

Pull the starter handle. If the engine fails to start after 3 pulls, squeeze the trigger gun to release pressure, and repeat step.

After the engine warms up enough to run smoothly push choke to run position.

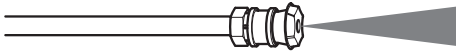
## USING THE ACCESSORIES

### Quick Connect Nozzles

The color-coded quick connect nozzles provide a wide array of spray widths from 15° to 65° and are easily accessible when placed in the convenient nozzle holder.

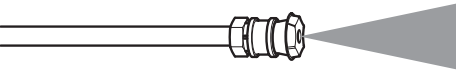
#### 15° spray angle = Yellow nozzle

For dirt accumulation over a surface.



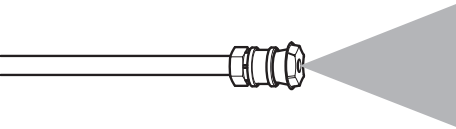
#### 25° spray angle = Green nozzle

For dirt accumulation over a large surface.



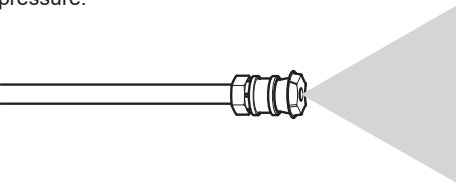
#### 40° spray angle = White nozzle

For moderate dirt accumulation over a large surface.



#### 65° spray angle = Black nozzle

For operating with detergents or cleaning with low pressure.



### ⚠ CAUTION

High pressure in nozzle area. Risk of injury caused by improperly locked nozzle.

- Make sure you hear the "click" when inserting the nozzle tip into the quick connection.
- Pull the nozzle to make sure it is seated properly before operating your unit. (See OPERATING INSTRUCTIONS: Step 1)

### ⚠ WARNING

To avoid serious injury never point spray nozzle at yourself, other persons, or animals.

## WORKING WITH DETERGENTS

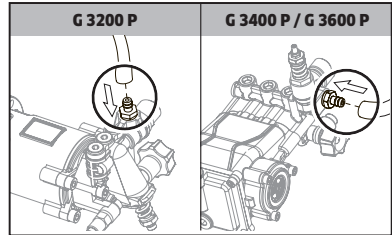
Detergents can only be applied with the black detergent nozzle.

#### → STEP 1:

Install the black detergent nozzle for detergent application at low pressure.

#### → STEP 2:

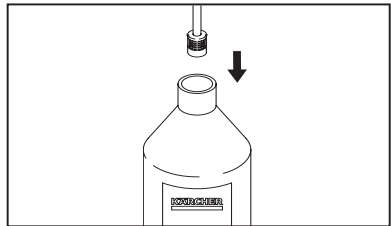
Make sure the detergent siphon hose is securely attached to the pump's chemical nipple.



#### → STEP 3:

Fill a container with a properly diluted Kärcher detergent.

Place the filter end of detergent suction tube into the container.



#### → STEP 4:

With the engine running, pull trigger to operate unit. Liquid detergent is drawn into the unit and mixed with water.

Apply detergent to work area.

Do not allow detergent to dry on surface.

#### → STEP 5:

**Always** draw fresh water through the detergent suction tube when the cleaning job is done, to rinse/flush any remaining detergents from the injection system.

**See Cleaning Tips for specific information on how to clean different surfaces.**

## Detergents

### **⚠ CAUTION**

This unit has been designed for use with cleaning detergents recommended by the manufacturer.

The use of other cleaning detergent may affect the operation of the machine and void the warranty.

### **Always Use Properly Diluted Kärcher Detergents for Best Results**

Kärcher biodegradable detergents are specially formulated to protect the environment and your pressure washer. The special formula won't clog the suction tube filter and will protect the internal parts of the pressure washer for a longer life. For Kärcher Detergents, check your retailer or visit our website:

[karcher.com/us](http://karcher.com/us) or [karcher.com/ca](http://karcher.com/ca)

### **⚠ CAUTION**

#### **Never Use:**

- Bleach, chlorine products or other corrosive chemicals.
- Liquids containing solvents (i.e., paint thinners, fuel, oils.)
- Tri-sodium phosphate products.
- Ammonia products.
- Acid-based products.

### **⚠ WARNING**

The use of these chemicals, when used with high pressure cleaners, can turn into an aerosol. Inhalation of chemicals that have been aerosolized can be hazardous to health.

**These chemicals will harm the unit and damage the surface being cleaned.  
Use of these items will void the warranty.**

## TAKING A BREAK...FIVE MINUTES OR MORE

### **➔ STEP 1:**

Move the engine ON/OFF switch to the OFF position.

### **➔ STEP 2:**

Release trigger and engage safety lock.

## SHUTTING DOWN & CLEAN-UP

### **➔ STEP 1:**

If detergents have been used, remove detergent suction tube from container and insert into 1 gallon of fresh water.

Siphon water at low pressure for one minute to clear the line of residual detergent.

### **➔ STEP 2:**

Move the engine on/off switch to the OFF position. Close the fuel valve.

### **➔ STEP 3:**

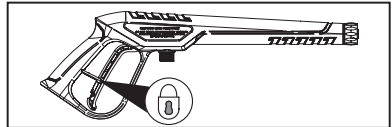
Turn off the water source.

### **➔ STEP 4:**

Press trigger to release water pressure.

### **➔ STEP 5:**

Release trigger and engage gun safety lock.



### **➔ STEP 6:**

Disconnect the garden hose from the water inlet on the unit.

### **➔ STEP 7:**

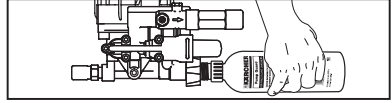
Disconnect the high pressure hose from the high pressure outlet. Before storing the high pressure hose in the hose holder strap, wait at least 1 hour to cool down the machine.

## WINTERIZING AND LONG-TERM STORAGE

It is highly recommended to use Kärcher's Pump Guard (part number 8.760-686.0 sold separately) before winter storage and during the cleaning season to protect the pump from freezing and premature wear.

- ➔ **STEP 1:**  
Move engine ON/OFF switch to OFF position.
- ➔ **STEP 2:**  
Disconnect all hoses.
- ➔ **STEP 3:**  
Unscrew cap from Pump Guard bottle.
- ➔ **STEP 4:**  
Remove internal seal.
- ➔ **STEP 5:**  
Reattach cap to Pump Guard bottle and remove black protective cap.

- ➔ **STEP 6:**  
Screw bottle into water inlet on pressure washer pump and squeeze.



- ➔ **STEP 7:**  
Pull starter handle until fluid starts to exit the pump's high pressure outlet.



- ➔ **STEP 8:**  
Unscrew bottle. Store or dispose properly.

### **⚠ CAUTION**

Failure to follow the above directions may result in damage to the pump assembly and accessories and void the warranty.

## MAINTENANCE INSTRUCTIONS

### Pump

#### Initial Use

All pumps ship with oil already inside direct from the factory. There is no need to add oil.

#### Pump Inspection

You should routinely make a visual inspection of the pressure washer's pump. If you notice oil leaking around the pump seals, you should take the pressure washer to a Kärcher-Authorized Service Center for repair. (You can locate a service center in your area online at: [www.kaercher.com/us/find-a-dealer.html](http://www.kaercher.com/us/find-a-dealer.html) if located in the US or [www.kaercher.com/ca/support/services/home-and-garden.html](http://www.kaercher.com/ca/support/services/home-and-garden.html) if located in Canada.

#### Pump Maintenance

The pump on your Kärcher pressure washer does not require maintenance. Any attempts to service or alter the pump may damage your pressure washer and void your product warranty.

### Engine

Carry out maintenance tasks for the engine according to the specifications provided in the operating instructions provided by engine manufacturer.

## CLEANING TIPS

### Deck Cleaning

**(With or without detergent).** Pre-rinse deck and surrounding area with fresh water. If using Kärcher Multi-Purpose Cleaner (part number 9.558-144.0), apply to surface at low pressure. For best results, limit your work area to smaller sections of approximately 25ft<sup>2</sup> (2.3m<sup>2</sup>). Allow Kärcher Multi-Purpose Cleaner to remain on surface 1-3 minutes. Do not allow detergent to dry on surface. Rinse at high pressure in a long sweeping motion keeping the spray nozzle approximately 3-6 inches (8-15 cm) from the cleaning surface. Always clean from top to bottom and from left to right. When moving on to a new section of the cleaning surface, be sure to overlap the previous section to eliminate stop marks and ensure a more even cleaning result.

### Cars, Boats & Motorcycles

**(With or without detergent).** Pre-rinse vehicle with fresh water. If using Kärcher Vehicle Wash and Wax (part number 9.558-946.0), apply to surface at low pressure. For best results, clean one side of vehicle at a time and always apply detergent from bottom to top, do not allow detergent to dry on surface. If needed, use special wash brush attachment (not included) to remove stubborn dirt. Rinse at high pressure in a sweeping motion keeping the spray nozzle approximately 6-8 inches (15-20 cm) from the cleaning surface (distance should increase when rinsing pin-stripping or other sensitive surfaces). Always clean from top to bottom and from left to right. For best results, wipe surface dry with a chamois or soft dry cloth.

### House Siding

**(With or without detergent).** Pre-rinse cleaning surface with fresh water. If using Kärcher Multi-Purpose Cleaner (part number 9.558-144.0), apply to surface at low pressure (for best results, limit your work area to sections of approximately 6 ft. (1.8m) and always apply detergent from bottom to top). Allow detergent to remain on surface 1-3 minutes. Do not allow detergent to dry on surface, if surface appears to be drying, simply wet down surface with fresh water. If needed, use special wash brush attachment (part number 8.923-682.0 Rotating Wash Brush, sold separately) to remove stubborn dirt. Rinse at high pressure from top to bottom in an even sweeping motion keeping the spray nozzle approximately 15 cm from the cleaning surface.

### Cemented Patios, Brick and Stone

**(With or without detergent).** Pre-rinse cleaning surface with fresh water. If using Kärcher Multi-Purpose Cleaner (part number 9.558-144.0), apply to surface at low pressure. For best results, limit your work area to smaller sections of approximately 25ft<sup>2</sup> (2.3m<sup>2</sup>). Allow Kärcher Multi-Purpose Cleaner to remain on surface 1-3 minutes. Do not allow detergent to dry on surface. Rinse at high pressure in a sweeping motion keeping the spray nozzle approximately 3-6 inches (8-15 cm) from the cleaning surface. Always clean from top to bottom and from left to right. For removing extremely stubborn stains, use a Turbo Nozzle Spray Nozzle (part number 8.641-034.0, sold separately).

### Barbecue Grills, Outdoor Power Equipment & Gardening Tools

**(With or without detergent).** Pre-rinse cleaning surface with fresh water. If using Kärcher Multi-Purpose Cleaner (part number 9.558-144.0), apply detergent at low pressure. Allow Kärcher Multi-Purpose Cleaner to remain on surface 1-3 minutes. Do not allow detergent to dry on surface. Rinse at high pressure keeping the spray nozzle approximately 3-6 inches (8-15 cm) from the cleaning surface. For removing extremely stubborn dirt, it may be necessary to move the spray nozzle even closer to the surface for greater dirt cutting action.

## CLEANING TIPS

### Patio & Lawn Furniture

**(With or without detergent).** Pre-rinse furniture and surrounding area with fresh water. If using Kärcher Multi-Purpose Cleaner apply to surface at low pressure. Allow Kärcher Multi-Purpose Cleaner to remain on surface 1-3 minutes. Do not allow detergent to dry on surface. If needed use special Wash Brush Attachment (part number 8.923-682.0 Rotating Wash Brush, sold separately) to remove stubborn dirt. Rinse at high pressure in a sweeping motion keeping the spray nozzle approximately 3-6 inches (8-15 cm) from the cleaning surface. For best results, clean from top to bottom and from left to right.

### Recommendations

- Before cleaning any surface, test spray pattern and distance in an inconspicuous area.
- If painted surfaces are peeling or chipping, use extreme caution as pressure washer may remove the loose paint from the surface.
- When using on surfaces which might come in contact with food, flush surfaces with plenty of drinking water.
- For additional cleaning tips, visit our website at [karcher.com/us](http://karcher.com/us) or [karcher.com/ca](http://karcher.com/ca)

### Optional Accessories

Optional accessories are available to further enhance your cleaning capabilities. These accessories are accurate as of the printing date of this manual. Please check our website:

[karcher.com/us](http://karcher.com/us) or [karcher.com/ca](http://karcher.com/ca) for pricing and up-to-date information.

- Extension Hose
- Turbo Nozzle
- 15" Surface Cleaner

## TROUBLESHOOTING

### CAUTION

Remove the spark plug cable to prevent accidental ignition of the engine before making any repair.

SYMPTOM	CAUSE	SOLUTION
<b>ENGINE WILL NOT START</b>	No gasoline.	Fill gasoline tank.
	Engine switch OFF.	Turn engine switch to the ON position.
	Choke is not in the correct position.	Slide choke lever out to closed position.
	Water pressure built up in the machine.	Squeeze the trigger to release the pressure.
	<b>For additional engine problems refer to the engine manual.</b>	
<b>NOT ENOUGH PRESSURE</b>	Diameter of garden hose is too small.	Replace with a 5/8" inside diameter or larger garden hose.
	Water supply is restricted.	Check garden hose for kinks, leaks or blockage.
	Not enough inlet water supply.	Turn water on full force. Check garden hose for kinks, leaks or blockage.
	Water inlet filter is clogged.	Remove filter and rinse out in warm water.
	Black detergent nozzle is attached.	Remove black detergent nozzle and attach high pressure nozzle.
<b>OUTPUT PRESSURE VARIES HIGH AND LOW</b>	Not enough inlet water supply.	Turn water on full force. Check garden hose for kinks, leaks or blockage.
	Pump is sucking air.	Check that hoses and fittings are air tight. Turn off machine and purge pump by squeezing trigger gun until a steady flow of water emerges through the nozzle.
	Water inlet filter is clogged.	Remove filter and rinse out in warm water.
	Spray nozzle is obstructed.	Blow out or remove debris with a fine needle.
	Calcified gun, hose or spray wand.	Run distilled vinegar through detergent suction tube.
<b>NO DETERGENT</b>	Detergent suction tube not properly connected to the machine.	Check connection.
	Detergent suction tube folded.	With machine and water turned off, detach suction tube to help unfold and reattach.
	Detergent is too thick.	Dilute detergent, for best results use Kärcher detergent.

## TROUBLESHOOTING

SYMPTOM	CAUSE	SOLUTION
<b>NO DETERGENT</b>	Filter on detergent suction tube is clogged.	Run warm water through filter to remove debris
	Damaged or clogged detergent suction tube.	Remove obstruction or replace detergent suction tube.
	A high pressure nozzle is attached.	Replace with black detergent nozzle.
	Spray nozzle is obstructed.	Blow out or remove debris with fine needle.
<b>GARDEN HOSE CONNECTION LEAKS</b>	Loose fittings.	Tighten fittings.
	Missing/worn rubber washer.	Insert new washer.
<b>SPRAY WAND LEAKS</b>	Spray wand not properly attached.	Turn the swivel nut of the gun clockwise until connection is tight.
	Broken o-ring or plastic insert.	Call listed support phone numbers in Customer Service section. Visit <a href="http://www.karcher-help.com">www.karcher-help.com</a> or locate a service center at <a href="http://www.karcher.com/us">www.karcher.com/us</a> or <a href="http://www.karcher.com/ca">www.karcher.com/ca</a> .
<b>PUMP IS NOISY</b>	Not enough water supply.	Check that hoses and fittings are air tight. Turn off machine and purge pump by squeezing trigger gun until a steady flow of water emerges through the nozzle.
<b>WATER LEAKS FROM PUMP (UP TO 10 DROP PER MINUTE IS PERMISSIBLE)</b>	Loose fittings.	Check fittings.
	Water seals are damaged or worn.	Visit <a href="http://www.karcher-help.com">www.karcher-help.com</a> or locate a service center at <a href="http://www.karcher.com/us">www.karcher.com/us</a> or <a href="http://www.karcher.com/ca">www.karcher.com/ca</a> .
	Thermal protection device is activated.	Thermal protection device will auto reset. Do not run pump for more than 5 minutes without spraying.
<b>OIL DRIP</b>	Oil seals are damaged or worn.	Visit <a href="http://www.karcher-help.com">www.karcher-help.com</a> or locate a service center at <a href="http://www.karcher.com/us">www.karcher.com/us</a> or <a href="http://www.karcher.com/ca">www.karcher.com/ca</a> .

If the symptom you are experiencing is not listed above, or if the provided solutions do not solve your issue, please visit our extensive online troubleshooting database at:

[www.karcher-help.com](http://www.karcher-help.com) or [www.karcher.com/ca/support/faqs.html](http://www.karcher.com/ca/support/faqs.html)

# High Pressure Washers

## 3 Year Limited warranty

# KÄRCHER

This Kärcher product is warranted by Kärcher to be free of defects in workmanship and materials under normal use.

Specific warranty applies to:

- Kärcher KPS and KXS series engines are warranted for three (3) years parts and labor and serviced by a Kärcher service center.
- Honda GX series engines are warranted for three (3) years parts and labor and serviced by a Honda authorized service center
- Pumps are warranted for three (3) years parts and labor and are serviced by a Kärcher service center
- Frames, handles and detergent tanks, and other structural components, carry a three (3) year parts and labor warranty.
- **Standard accessories and attachments are warranted for a ninety (90) day period.**
- **Any commercial, industrial or rental use of this equipment will VOID the warranty.**

The warranty period is calculated from the date of purchase by the end user and covers the cost for replacement parts and/or equipment and warranty labor performed. In order to verify a warranty situation, the machine must be evaluated by an Authorized Kärcher Service Center or by an authorized service center representing the engine manufacturer. A copy of the original purchase receipt or gift receipt from the original retailer must also accompany the warranty claim. To locate the nearest authorized Kärcher service center, please visit our website at [www.karcher-help.com](http://www.karcher-help.com) or [www.karcher.com/ca/support/faqs.html](http://www.karcher.com/ca/support/faqs.html). Your device must be registered in order to help with any questions or issues that you have. You can register your device at [www.karcher-register.com](http://www.karcher-register.com).

Kärcher's obligation under this warranty shall strictly be limited, at Kärcher's option, either to replace or repair, through Kärcher direct or through an Authorized Kärcher Service Dealer without charge during the warranty period any part, which in the opinion of the manufacturer, shows defect in workmanship or material. Service will be scheduled according to the normal work flow and business hours at the service center, and availability of replacement parts. All decisions of Kärcher with regard to this limited warranty shall be final.

This warranty does not cover:

- Merchandise sold as reconditioned, used, demonstration or floor models.
- Used or refurbished merchandise purchased on eBay and other online auction websites.
- Damage caused by misuse, neglect, accident, abuse, improper handling, freezing, normal wear and tear or non-compliance with operator's manual.
- Damage caused by water sediment, contaminated water supply or use of chemicals and detergents not approved by or recommended by Kärcher.
- Damage caused by acts of nature such as floods, fires, earthquakes, lightning strikes, etc.
- Devices or accessories not distributed or approved by Kärcher. Any use of such said devices or accessories will void implied warranty.
- Repairs made by the end user or any service center not authorized by Kärcher. Any such tampering with Kärcher equipment or accessories will void the implied warranty.
- Any cost for shipping by the customer or authorized service center of the alleged defective part or equipment.

## WARRANTY INFORMATION

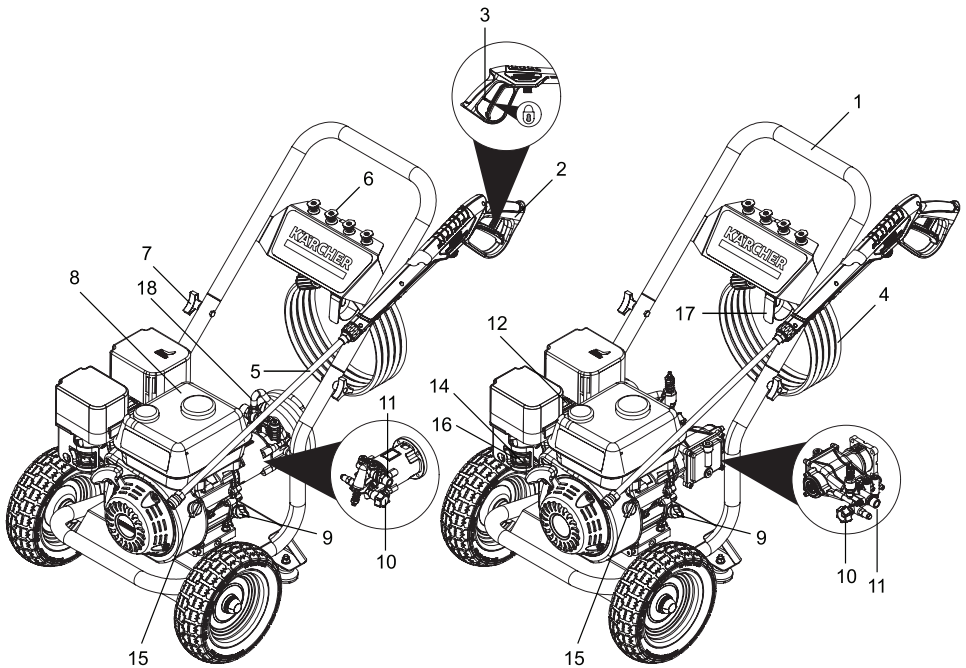
This warranty is non-transferable and applies only to products purchased through a Kärcher authorized reseller in the United States and Canada. Equipment provided, but not manufactured by Kärcher such as Honda and Kohler petrol engines are subject to warranties and service through said manufacturer's service centers according to the terms and conditions provided by the respective original equipment manufacturer. Kärcher is not authorized and has no responsibility to provide warranty service for Honda. This warranty gives you specific legal rights. You may have other rights, which vary by country and state/province.

**Please register online at [www.karcher-register.com](http://www.karcher-register.com)  
Online registration is quick, free and provides you with a  
confirmation email for your records.**

## APERÇU DU MODÈLE

- |   |                                |    |  |
|---|--------------------------------|----|--|
| 1 | Poignée                        | 10 | Entrée d'eau pour le boyau d'arrosage          |
| 2 | Pistolet                       | 11 | Sortie haute pression                          |
| 3 | Verrou de sécurité du pistolet | 12 | Bougie d'allumage                              |
| 4 | Boyau haute pression           | 13 | Filter d'entrée d'eau (installé dans la pompe) |
| 5 | Tube de vaporisation           | 14 | Volet  |
| 6 | Buses à raccord rapide         | 15 | Interrupteur Début/Arrêt                       |
| 7 | Bouton                         | 16 | Commutateur de carburant                       |
| 8 | Réservoir de carburant         | 17 | Sangle   |
| 9 | Jauge d'huile                  | 18 | Tuyau siphon avec filtre                       |

*\* Voir le manuel du moteur pour les détails du moteur pour les détails du moteur*



# MANUEL D'UTILISATION DE LA LAVEUSE À PRESSION À GAZ

## Contenu

Aperçu du modèle	20
Informations Générales	22
Service à la clientèle	23
Importantes Consignes De Sécurité	23
Directives d'assemblage	26
Instructions de fonctionnement	28
Utilisation des accessoires	30
Utilisation de détergents	31
Prendre une pause	31
Mise hors tension et nettoyage	32
Entreposage à long terme et pour l'hiver	33
Instructions d'entretien	33
Conseils sur le nettoyage	34
Dépannage	36
Information sur la garantie	39

## Spécifications

### G 3200 P

Pression maximale	3200 PSI
Débit d'eau maximum	2.4 GPM
Aspiration de détergent	0.15 GPM
Moteur	Karcher KXS Series
Type de carburant	Essence sans plomb
Capacité du réservoir de carburant	0.95 gal (3.6 L)
Type d'huile à moteur	SAE 10W-30
Capacité en huile du moteur	0.6 L (0.63 US qt)
No de pièce	1.107-533.0
Buse - Jaune, 15 deg Buse - Verte, 25 deg Buse - Blanche, 40 deg Buse - Noir, 60 deg	3200 PSI à 2.4 GPM 2900 PSI à 2.5 GPM 2600 PSI à 2.6 GPM 900 PSI à 2.8 GPM
Kit de buses Réf.	8.759-082.0

## Spécifications

### G 3400 P

Pression maximale	3400 PSI
Débit d'eau maximum	2.5 GPM
Aspiration de détergent	0.16 GPM
Moteur	Karcher KXS Series
Type de carburant	Essence sans plomb
Capacité du réservoir de carburant	3.6 L (0.95 gal)
Type d'huile à moteur	SAE 10W-30
Capacité en huile du moteur	0.6 L (0.63 US qt)
No de pièce	1.107-534.0
Buse - Jaune, 15 deg Buse - Verte, 25 deg Buse - Blanche, 40 deg Buse - Noir, 60 deg	3400 PSI à 2.5 GPM 3200 PSI à 2.6 GPM 2900 PSI à 2.7 GPM 900 PSI à 2.8 GPM
Kit de buses Réf.	8.758-924.0

### G 3600 P

Pression maximale	3600 PSI
Débit d'eau maximum	2.6 GPM
Aspiration de détergent	0.16 GPM
Moteur	Karcher KXS Series
Type de carburant	Essence sans plomb
Capacité du réservoir de carburant	3.6 L (0.95 gal)
Type d'huile à moteur	SAE 10W-30
Capacité en huile du moteur	0.6 L (0.63 US qt)
No de pièce	1.107-535.0
Buse - Jaune, 15 deg Buse - Verte, 25 deg Buse - Blanche, 40 deg Buse - Noir, 60 deg	3600 PSI à 2.6 GPM 3200 PSI à 2.7 GPM 2900 PSI à 2.7 GPM 900 PSI à 2.8 GPM
Kit de buses Réf.	8.759-082.0

# INFORMATIONS GÉNÉRALES

## Utilisation appropriée

Ce nettoyeur à haute pression est conçu pour :

- Nettoyer les machines, les véhicules, les bâtiments, les outils, les façades, les terrasses, les patios, les entrées, les allées, les équipements de jardin, etc. (des détergents peuvent être nécessaires dans certains cas).

- À utiliser avec les accessoires, les pièces de rechange et les détergents approuvés par KÄRCHER. Veuillez observer les instructions fournies avec ces détergents.

## Protection environnementale



Le matériel d'emballage peut être recyclé. Veuillez ne pas jeter l'emballage dans les ordures ménagères, mais prendre les dispositions nécessaires pour le recycler.



Les vieux appareils contiennent des matériaux précieux qui peuvent être recyclés. Veuillez prendre des dispositions pour le recyclage approprié des vieux appareils. Veuillez vous débarrasser de vos vieux appareils en utilisant les systèmes de collecte appropriés.

### Remarque concernant les ingrédients (REACH)

Vous trouverez des informations actuelles sur les ingrédients au :

[www.kaercher.com/REACH](http://www.kaercher.com/REACH).

## Symbole d'alerte de sécurité

### DANGER

Indique une situation à risque imminent, laquelle si elle n'est pas évitée, entraînera des blessures sérieuses ou la mort.

### AVERTISSEMENT

Indique une situation à risque potentiel, laquelle si elle n'est pas évitée, pourrait entraîner des blessures ou la mort.

### MISE EN GARDE

Indique une situation à risque potentiel, laquelle si elle n'est pas évitée, peut causer des blessures mineures ou légères, ou des dommages matériels.

### AVERTISSEMENT

Indication d'une situation potentiellement dangereuse pouvant entraîner des dommages matériels.

## Responsabilités du propriétaire/utilisateur



Veuillez lire et respecter ces instructions originales avant la première utilisation de votre appareil et les conserver pour une utilisation ultérieure ou pour les propriétaires ultérieurs.

Le propriétaire et/ou l'utilisateur doivent avoir une compréhension des instructions d'utilisation et d'avertissements du fabricant avant d'utiliser cette laveuse à pression.

Les informations concernant les avertissements devraient être soulignées et comprises. Si l'opérateur ne maîtrise pas le français, les instructions et les avertissements du fabricant doivent être lus et discutés par l'acheteur/propriétaire avec l'opérateur dans sa langue maternelle, en s'assurant que l'opérateur comprenne son contenu.

Le propriétaire et/ou l'utilisateur doivent étudier et conserver les instructions du fabricant pour références futures.

## Conservez ces instructions

L'étiquette de code QR doit être considéré comme faisant partie intégrante de ce nettoyeur haute pression et doit rester avec lui en cas de revente.

## Lire le manuel du moteur

Lisez le manuel du moteur (qui est séparé de ce manuel) avant de démarrer.

## CONSERVEZ CES INSTRUCTIONS

# SERVICE À LA CLIENTÈLE

## Inscription

Votre appareil doit être enregistré afin de répondre à toutes vos questions ou problèmes. Vous pouvez enregistrer votre appareil sur [www.karcher-register.com](http://www.karcher-register.com) s'il est situé aux États-Unis, [www.karcher.com/ca](http://www.karcher.com/ca) s'il est situé au Canada ou [www.karcher.com/mx](http://www.karcher.com/mx) s'il est situé au Mexique.

## Garantie

En cas de réclamation au titre de la garantie, vous pouvez contacter le service client. Veuillez consulter les coordonnées ci-dessous pour les États-Unis, le Canada ou le Mexique. Vous DEVEZ fournir votre preuve d'achat afin de déposer une réclamation au titre de la garantie, soit par e-mail, par téléphone ou par fax.

## Service à la clientèle du USA

Vous pouvez contacter notre service client par téléphone au **1-800-537-4129** ou via le site Web à l'adresse [www.karcher-help.com](http://www.karcher-help.com).

## Service à la clientèle du Canada

Vous pouvez contacter notre service client par téléphone au **1-800-465-4980** ou via le site Web [www.karcher.com/ca](http://www.karcher.com/ca).

## Service à la clientèle du Mexique

Vous pouvez contacter notre service client par téléphone au **1-800-024-1313** ou via le site Web [www.karcher.com/mx](http://www.karcher.com/mx).

# IMPORTANTES CONSIGNES DE SÉCURITÉ



Veuillez lire et respecter ces instructions originales avant la première utilisation de votre appareil et les conserver pour une utilisation ultérieure ou pour les propriétaires ultérieurs.

## AVERTISSEMENT

Lorsque vous utilisez ce produit, les précautions de base devraient toujours être suivies, incluant celles-ci :

- Lisez toutes les instructions avant d'utiliser le produit.
- Pour réduire le risque de blessures, une étroite surveillance est nécessaire lorsqu'un appareil est utilisé à proximité d'un enfant.
- Les nettoyeurs à haute pression ne doivent pas être utilisés par des enfants ou du personnel non formé
- Sachez comment rapidement arrêter et purger la pression du produit. Soyez entièrement familier avec les commandes.
- Demeurez alerte - Portez attention à ce que vous faites.
- N'utilisez pas cet appareil lorsque vous êtes fatigués ou sous l'influence d'alcool ou de drogues.
- Assurez-vous qu'il n'y ait personne dans la zone environnant l'utilisation.

- Ne travaillez pas hors de portée ou ne montez pas sur un support instable. Maintenez un bon appui et restez en équilibre en tout temps.
- Suivez les instructions d'entretien spécifiées dans le manuel.
- Pour éviter tout risque, toutes les réparations et tous les remplacements doivent être effectués par du personnel qualifié.
- Les boyaux, raccords et coupleurs haute pression sont importants pour la sécurité de l'appareil. N'utilisez que les boyaux, raccords et coupleurs recommandés par le fabricant.

## AVERTISSEMENT

Risque d'injection ou de blessures - Ne diffusez pas le jet directement sur des personnes ou les animaux.

- Les jets à haute pression peuvent être dangereux s'ils ne sont pas utilisés adéquatement. Ils ne doivent pas être dirigés directement vers des personnes, des animaux, des appareils électriques ou vers l'appareil.
- Ne dirigez pas le jet contre vous-même ou contre d'autres personnes pour nettoyer des vêtements ou des chaussures.
- N'utilisez pas la machine à portée de personnes à moins qu'elles ne portent des protections vêtements.

## IMPORTANTES CONSIGNES DE SÉCURITÉ

- Pour garantir la sécurité de la machine, n'utilisez que des pièces de rechange d'origine du fabricant ou approuvé par le fabricant.

### DANGER

Ne vaporisez pas les raccordements électriques, les prises de courant ou les luminaires.

### WARNING

Risque d'explosion - Ne vaporisez pas les liquides inflammables. Utilisez uniquement dans les endroits permettant les flammes nues ou les torches.

- N'utilisez pas d'acides, de solvants ou toutes matières inflammables ou alcalines avec ce produit. Ces produits peuvent causer des blessures à l'opérateur ainsi que des dommages irréversibles à l'appareil.

### MISE EN GARDE

Effet de recul du pistolet – Tenez-le bien avec les deux mains.

- Le verrou de sécurité du pistolet à gâchette prévient le déclenchement accidentel de la gâchette. Cette caractéristique de sécurité doit être engagée lorsque vous remplacez les buses ou lorsqu'elles ne sont pas utilisées.

### AVERTISSEMENT

Risque d'asphyxie – Utilisez ce produit seulement dans un endroit bien aéré.

- Assurez-vous que les émissions de gaz d'échappement ne se trouvent pas à proximité des prises d'air.
- Utilisez et remplissez l'appareil avec du carburant dans un endroit bien aéré, libre d'appareils disposant d'une flamme pilote ou d'une source de flamme telle chaudière, chauffe-eau, etc.
- L'utilisation de ce produit à l'intérieur peut entraîner la mort en raison du monoxyde de carbone, un gaz toxique que vous ne pouvez ni voir ni sentir. N'utilisez jamais l'appareil à l'intérieur, même si les fenêtres et les portes sont ouvertes. Utilisez uniquement à l'extérieur et loin des fenêtres, des portes et des ouvertures ou des événements.

- Lors de l'utilisation de nettoyeurs à haute pression, des aérosols peuvent se former. L'inhalation d'aérosols peut être dangereuse pour la santé.

- Ne pas utiliser l'appareil si le cordon d'alimentation ou des pièces importantes de la machine sont endommagés, par ex. dispositifs de sécurité, boyaux haute pression, gâchette.

### AVERTISSEMENT

Des carburants inappropriés ne doivent pas être utilisés, car ils peuvent s'avérer dangereux.

### AVERTISSEMENT

Couper toujours l'interrupteur marche/arrêt lorsque vous laissez la machine sans surveillance.

### AVERTISSEMENT

Risque d'incendie – N'ajoutez pas de carburant lorsque l'appareil est en marche ou chaud.

### MISE EN GARDE

N'utilisez pas l'appareil si du carburant a été renversé. Déplacez l'appareil dans un autre endroit et évitez de provoquer des étincelles.

- Cet appareil comporte des surfaces chaudes pouvant causer des brûlures. Utilisez dans un environnement sécuritaire et éloigné des enfants.
- Ne touchez pas aux surfaces chaudes ou ne laissez pas les accessoires entrer en contact avec les surfaces chaudes.
- Ne laissez pas l'appareil en marche sans surveillance.
- Évitez de basculer l'appareil sur le côté.

## IMPORTANTES CONSIGNES DE SÉCURITÉ

### AVERTISSEMENT

Des blessures graves peuvent résulter de la décharge à haute pression produite par les nettoyeurs laveur à pression.  
Garder hors de la portée des enfants.

### AVERTISSEMENT: PROP 65

Ce produit peut vous exposer à des produits chimiques tels que le plomb et le phtalate de diisononyle, connus par l'état de Californie pour causer le cancer, des malformations congénitales ou d'autres problèmes de reproduction. Pour plus d'informations, visitez [www.P65Warnings.ca.gov](http://www.P65Warnings.ca.gov)

Se laver les mains après la manipulation.

## CONSERVEZ CES INSTRUCTIONS

### Alimentation d'eau (Eau Froide Uniquement)

### AVERTISSEMENT

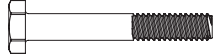



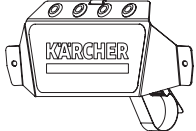
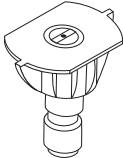
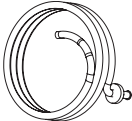





L'eau qui a traversé les clapets anti-retour est considérée comme non potable. Utilisez un filtre à eau pour éviter les dommages potentiels dus à la saleté dans l'alimentation en eau.

- Le boyau d'arrosage doit avoir un diamètre interne d'au moins 1,58 cm (5/8 po)
- Le débit en alimentation d'eau ne doit pas être inférieur à 10 lpm (litre par minute) (2,64 gpm - gallons par minute).
- Le débit peut être déterminé en faisant couler l'eau pendant une minute dans un contenant vide de 18,9 litres (5 gallons).
- La pression d'alimentation en eau doit être supérieure à 40 PSI.
- La température en alimentation d'eau ne doit pas être supérieure à 104 °F/40 °C.
- N'utilisez jamais la laveur à pression pour puiser de l'eau contaminée avec des solvants, par exemple du diluant à peinture, du carburant, de l'huile, etc.
- Veuillez toujours empêcher les débris d'être aspirés dans l'appareil en vous assurant d'utiliser une source d'eau propre. Utilisez un filtre à eau additionnel.
- N'utilisez pas la laveur à pression sans que le robinet d'eau ne soit ouvert.

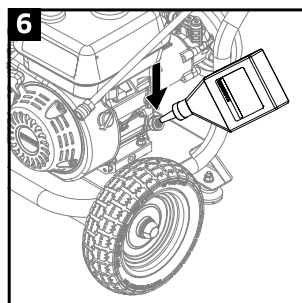
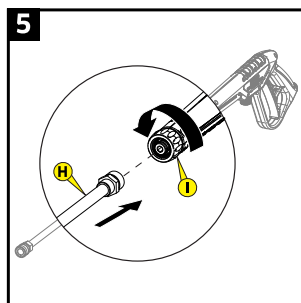
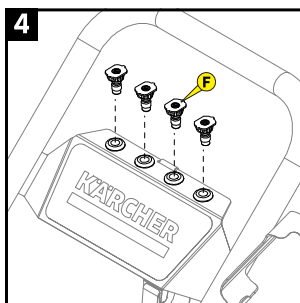
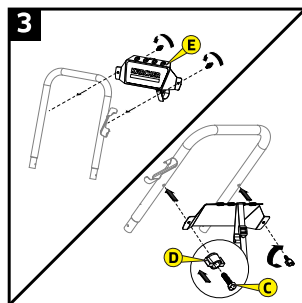
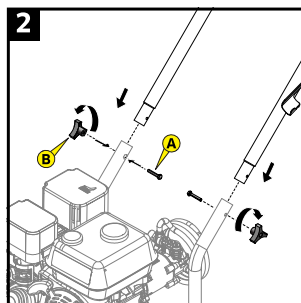
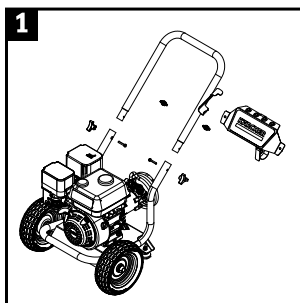
# DIRECTIVES D'ASSEMBLAGE

## Matériaux (Compris)

	Spare Part No.	Description	Purpose	Illustration	Qty.
<b>A</b>	9.803-869.0	Boulon à tête hexagonale ¼ po	Assemblage de la poignée		2
<b>B</b>		Bouton	Assemblage de la poignée		2
<b>C</b>	9.803-879.0	Boulon à tête hexagonale ¼ po	Ensemble porte-buse		2
<b>D</b>		Bouton porte-buse	Ensemble porte-buse		2
<b>E</b>	For G 3200 P and G 3400 P: 8.934-214.0 For G 3600 P: 8.934-237.0	Porte-buse	Ensemble porte-buse		1
<b>F</b>	For G 3200 P and G 3600 P: 8.759-082.0 For G 3400 P: 8.758-924.0	Kit de buses à connexion rapide	Assemblage du kit de buses		1
<b>G</b>	8.929-633.0	Tuyau de siphon pour détergent	Ensemble de tuyau de détergent		1
<b>H</b>	9.112-533.0	Tube-rallonge	Assemblage du pistolet pulvérisateur		1
<b>I</b>	8.641-024.0	Pistolet pulvérisateur	Assemblage du pistolet pulvérisateur		1
<b>J</b>	For G 3200 P: 8.759-098.0 For G 3400 P and G 3600 P: 8.760-638.0	Tuyau haute pression	Assemblage du pistolet pulvérisateur		1

# DIRECTIVES D'ASSEMBLAGE

## Assemblage



### → Illustration 2:

Fixez la poignée au cadre du nettoyeur haute pression. Alignez les trous, insérez les boulons hexagonaux (A) et serrez avec les boutons (B).

### → Illustration 3:

Insérez les boulons hexagonaux (C) sur les boutons du porte-buses (D). Montez le porte-buses (E) comme indiqué dans l'illustration, alignez les trous, insérez le boulon (C) et le bouton (D), puis serrez.

### → Illustration 4:

Placez le kit de buse à connexion rapide (F) dans le porte-buse.

### → Illustration 5:

Poussez la baguette (H) dans le pistolet à gâchette (I), puis vissez la connexion.

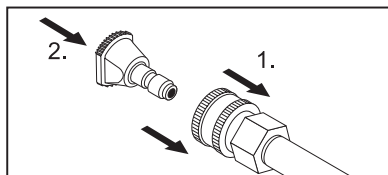
### → Illustration 6:

Retirez le bouchon/la jauge du moteur et ajoutez la quantité correcte d'huile. Assurez-vous que le niveau d'huile se situe entre les repères « FULL / MAX » et « ADD / MIN » sur la jauge avec la machine sur une surface plane. Remettez le bouchon/la jauge en place.

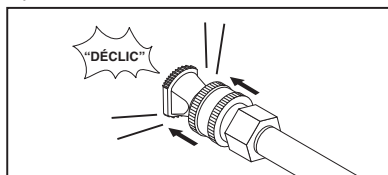
# INSTRUCTIONS DE FONCTIONNEMENT

## → ÉTAPE 1:

Tirer le col à ressort du tube-rallonge vers l'arrière pour insérer la buse à raccord rapide de votre choix.



Relâcher le col et pousser la buse jusqu'à ce que le col effectue un déclic.



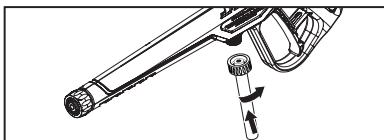
## ⚠ MISE EN GARDE

Haute pression dans la zone de la buse.  
Risque de blessures causées par une buse mal verrouillée.

- S'assurer qu'un « déclic » se fait entendre lorsque l'embout de buse est inséré dans le tube-rallonge.
- Tirer sur la buse pour s'assurer qu'elle repose correctement en place avant d'utiliser l'appareil.

## → ÉTAPE 2:

Fixer le boyau haute pression au pistolet déclencheur. Veillez à visser le tuyau à fond dans le pistolet à gâchette.



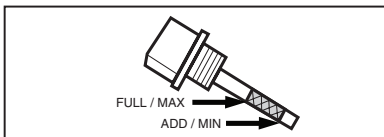
## ⚠ MISE EN GARDE

Le moteur est expédié sans huile. Remplir le carter d'huile avant de démarrer le moteur. Ne pas trop remplir. Ne pas faire fonctionner le moteur si le niveau d'huile est trop haut ou trop bas puisque cela pourrait endommager le moteur.

Pour toute autre question au sujet du moteur, veuillez consulter le manuel du moteur compris avec l'appareil. included with the unit.

## → ÉTAPE 3:

Vérifier le niveau d'huile. Le niveau d'huile doit toujours être aux marques « PLEIN » et « AJOUTER » ou « MAX » et « MIN » de la jauge, comme illustré ci-après.



S'assurer que la machine est au niveau lors de la vérification du niveau d'huile. (Consulter le manuel de fonctionnement des moteurs pour connaître les types saisonniers d'huile).

## → ÉTAPE 4:

Remplir le réservoir de carburant avec de l'essence sans plomb.

**Ne pas utiliser d'essence au plomb.**

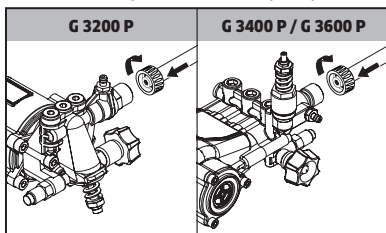
**Consulter le manuel du moteur pour connaître l'indice d'octane approprié.**

**Ne pas ajouter d'huile à l'essence.**

# INSTRUCTIONS DE FONCTIONNEMENT

## → ÉTAPE 5:

Raccorder le boyau haute pression au port de sortie haute pression de la pompe.



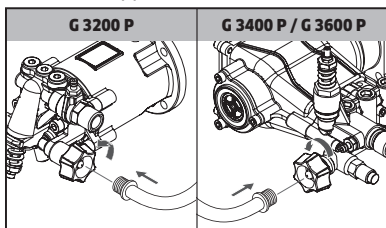
## ⚠ AVERTISSEMENT

Les flexibles, raccords et raccords haute pression sont importants pour la sécurité de l'appareil.

Utilisez uniquement les flexibles, raccords et raccords recommandés par le fabricant.

## → ÉTAPE 6:

Raccorder le boyau d'arrosage à l'entrée d'eau de l'appareil.



## → ÉTAPE 7:

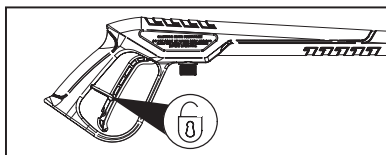
Raccorder le boyau d'arrosage à la source d'eau froide et ouvrir l'eau complètement.

**Ne pas utiliser d'eau chaude.**

**(La température de l'alimentation en eau ne doit pas dépasser 104 °F/40 °C).**

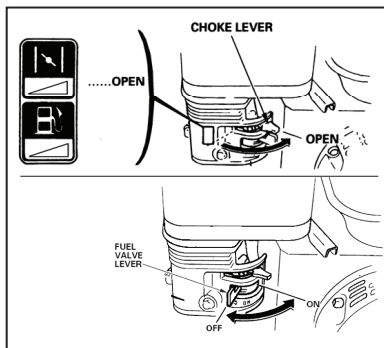
## → ÉTAPE 8:

Déverrouiller le verrou de sécurité du pistolet déclencheur. Tirer sur le déclencheur pour éliminer l'air emprisonné; attendre qu'un débit d'eau régulier se dégage de la buse de pulvérisation.



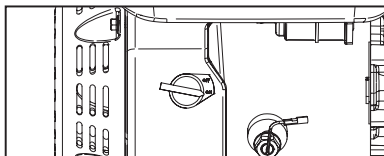
## → ÉTAPE 9:

Ouvrir le levier d'étrangleur (position de MARCHE sur un moteur chaud) et ouvrir le robinet de carburant.



## → ÉTAPE 10:

Mettez l'interrupteur ON/OFF en position ON.



## → ÉTAPE 11:

Tirer sur la poignée du démarreur. Si le moteur ne démarre pas après 3 tentatives, serrer le pistolet déclencheur pour relâcher la pression, puis répéter l'étape.

Une fois que le moteur est suffisamment réchauffé pour fonctionner en douceur, mettre l'étrangleur en position de marche.

## ⚠ AVERTISSEMENT

Le rebond du cordon de démarrage (rétraction rapide) peut entraîner des blessures corporelles. Le recul tirera la main et le bras vers le moteur plus rapidement que vous ne pouvez le lâcher. Relâchez TOUJOURS la pression du pistolet pulvérisateur avant de tirer le cordon de démarrage. Tirez lentement la corde du démarreur jusqu'à ce que vous ressentiez une résistance, puis tirez rapidement.

**Voir le manuel du moteur pour les détails du moteur.**

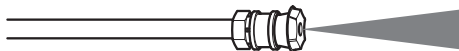
# UTILISATION DES ACCESSOIRES

## Buses à raccord rapide

Les buses à raccord rapide par code de couleur fournissent un large éventail de formats de jets de vaporisation de 15° à 65°, et sont facilement accessibles lorsqu'elles sont placées dans le porte-buse pratique.

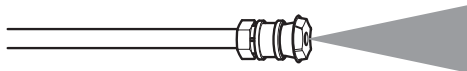
### Angle de vaporisation à 15° = Buse jaune

Pour une accumulation de saleté sur des surfaces.



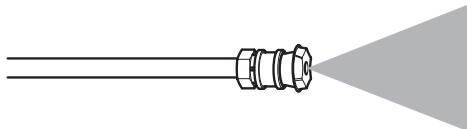
### Angle de vaporisation à 25° = Buse verte

Pour une accumulation de saleté sur de grandes surfaces.



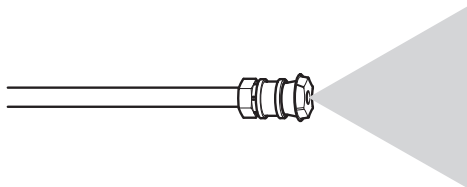
### Angle de vaporisation à 40° = Buse blanche

Pour une accumulation modérée de saleté sur de grandes surfaces.



### Angle de vaporisation à 65° = Buse noire

Pour utiliser avec des détergents ou pour un nettoyage à basse pression.



## ⚠ MISE EN GARDE

Haute pression dans la zone de la buse.

Risque de blessures si la buse n'est pas correctement enclenchée et verrouillée.

- Assurez-vous d'entendre un « clic » lorsque vous insérez l'extrémité de la buse dans le raccord rapide.
- Tirez sur la buse pour vous assurer qu'elle soit correctement appuyée/insérée avant d'utiliser l'appareil. (Consultez les INSTRUCTIONS D'UTILISATION : étape 1)

## ⚠ AVERTISSEMENT

Pour éviter de graves blessures, ne dirigez jamais la buse de pulvérisation vers vous, vers d'autres personnes ou vers des animaux.

## UTILISATION DE DÉTERGENTS

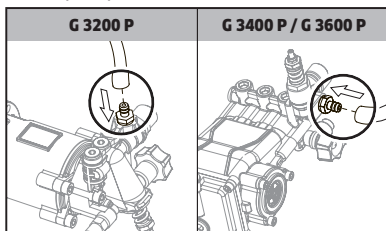
Les détergents doivent être appliqués uniquement avec la buse noire pour détergent.

### → ÉTAPE 1:

Installer la buse à détergent noire pour procéder à un nettoyage au détergent (fonctionne à basse pression uniquement).

### → ÉTAPE 2:

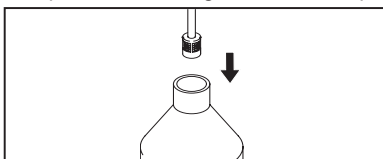
Assurez-vous que le tuyau de siphon de détergent est bien fixé à l'embout chimique de la pompe.



### → ÉTAPE 3:

Remplissez un récipient avec un détergent Kärcher correctement dilué.

Placez l'extrémité du filtre du tube d'aspiration de détergent dans le récipient.



### → ÉTAPE 4:

Avec le moteur en marche, tirez sur la gâchette pour utiliser l'appareil.

Le détergent liquide est aspiré dans l'appareil et mélangé avec l'eau.

Appliquez le détergent à la zone de travail. Ne laissez pas le détergent sécher sur la surface.

### → ÉTAPE 5:

**Toujours** aspirer de l'eau douce à partir du tube d'aspiration pour détergent lorsque le nettoyage est terminé et pour rincer toutes traces de détergent du système d'injection.

**Consultez la section Conseils de nettoyage pour des informations spécifiques sur la façon de nettoyer différentes surfaces.**

## Détergents

### ⚠ MISE EN GARDE

Cet appareil a été conçu pour être utilisé avec les détergents de nettoyage recommandés par le fabricant. L'utilisation de d'autres détergents, peut affecter le fonctionnement de l'appareil et annuler la garantie.

**Utilisez toujours des détergents Kärcher correctement dilués pour de meilleurs résultats.**

Les détergents biodégradables Kärcher sont spécialement formulés pour protéger l'environnement et votre laveuse à pression. La formule spéciale ne bouchera pas le filtre du tube et protégera les pièces internes de la laveuse à pression pour une durée de vie prolongée. Pour les détergents Kärcher, consultez votre détaillant ou visitez notre site Web:

[karcher.com/us](http://karcher.com/us) ou [karcher.com/ca](http://karcher.com/ca)

### ⚠ MISE EN GARDE

**Ne jamais utiliser :**

- Eau de javel, produits contenant du chlore ou d'autres produits chimiques corrosifs
- Liquides contenant des solvants (par exemple du diluant à peinture, du carburant, de l'huile)
- Produits contenant du phosphate de trisodium
- Produits contenant de l'ammoniaque
- Produits à base d'acide

### ⚠ AVERTISSEMENT

L'utilisation de ces produits chimiques, lorsqu'ils sont utilisés avec des nettoyeurs haute pression, peut se transformer en aérosol. L'inhalation de produits chimiques qui ont été aérosolisés peut être dangereuse pour la santé.

**Ces produits chimiques endommageront l'appareil et la surface à nettoyer. L'utilisation de ces produits annulera la garantie.**

## PRENDRE UNE PAUSE...CINQ MINUTES OU PLUS

### → ÉTAPE 1:

Déplacer l'interrupteur MARCHÉ/ARRÊT du moteur à la position ARRÊT (OFF).

### → ÉTAPE 2:

Relâchez la gâchette et mettez le verrou de sécurité.

## MISE HORS TENSION ET NETTOYAGE

### → ÉTAPE 1:

Si des détergents ont été utilisés, retirez le tube d'aspiration du détergent du récipient et insérez-le dans 1 gallon (3.78 L) d'eau douce. Siphonnez de l'eau à basse pression pendant une minute pour enlever toute trace de détergent dans la conduite.

### → ÉTAPE 2:

Faire passer l'interrupteur du moteur en position d'arrêt. Fermer la soupape de carburant

### → ÉTAPE 3:

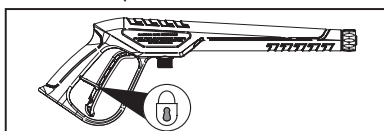
Fermez la source d'eau.

### → ÉTAPE 4:

Appuyez sur la gâchette pour relâcher la pression d'eau.

### → ÉTAPE 5:

Relâchez la gâchette et mettez le verrou de sécurité du pistolet..



### → ÉTAPE 6:

Débranchez le tuyau d'arrosage de l'entrée d'eau de l'appareil.

### → ÉTAPE 7:

Débranchez le tuyau à haute pression de la sortie à haute pression. Rangez le tuyau à haute pression dans la sangle du porte-tuyau.

## ENTREPOSAGE À LONG TERME ET POUR L'HIVER

Il est fortement recommandé d'utiliser le protège-pompe Kärcher (numéro de pièce 8.760-686.0 vendu séparément) avant l'hivernage et pendant la saison de nettoyage pour protéger la pompe du gel et de l'usure prématurée.

### → ÉTAPE 1:

Pousser Interrupteur Début/Arrêt du moteur à la position ARRÊT (OFF).

### → ÉTAPE 2:

Détacher le boyau à haute pression et le pistolet de la pompe.

### → ÉTAPE 3:

Détacher la soupape de la bouteille et retirer le joint étanche interne.

### → ÉTAPE 4:

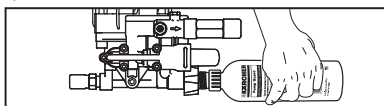
Attacher la soupape sur la bouteille.

### → ÉTAPE 5:

Fermer la soupape et l'attacher sur l'entrée du nettoyeur haute pression.

### → ÉTAPE 6:

Vissez la bouteille dans l'entrée d'eau de la pompe du nettoyeur haute pression et pressez-la.



### → ÉTAPE 7:

Tirez la poignée de démarrage jusqu'à ce que le liquide commence à sortir de la sortie haute pression de la pompe.



### → ÉTAPE 8

Dévisser la bouteille. Stocker ou disposer correctement.

### ⚠ MISE EN GARDE

Le non-respect des instructions ci-dessus peut endommager l'ensemble de la pompe et les accessoires et annuler la garantie.

## INSTRUCTIONS D'ENTRETIEN

### Pompe Kärcher

#### Utilisation initiale

Toutes les pompes Kärcher sont expédiées à partir de l'usine avec de l'huile à l'intérieur. Il n'est pas nécessaire d'y ajouter de l'huile.

#### Inspection de la pompe

Vous devriez régulièrement effectuer une inspection visuelle de la pompe pour la laveuse à pression. Si vous remarquez des fuites d'huile autour des joints d'étanchéité de la pompe, vous devriez apporter la laveuse à pression à un centre de service autorisé Kärcher pour réparation. (Vous pouvez trouver un centre de service de votre région en ligne à : [www.kaercher.com/us/find-a-dealer.html](http://www.kaercher.com/us/find-a-dealer.html) qu'il soit situé aux États-Unis ou [www.kaercher.com/ca/support/services/home-and-garden.html](http://www.kaercher.com/ca/support/services/home-and-garden.html) s'il est situé au Canada.

### Entretien de la pompe

La pompe de votre laveuse à pression Kärcher ne nécessite aucun entretien. Toute tentative pour effectuer le service ou pour modifier la pompe pourrait endommager votre laveuse à pression et annuler votre garantie.

### Moteur

Effectuez les tâches d'entretien du moteur selon les spécifications prévues dans les instructions d'utilisation fournies par le fabricant du moteur.

## CONSEILS SUR LE NETTOYAGE

### Nettoyage de la terrasse

**(Avec ou sans détergent).** Pré-rincer la terrasse et ses environs avec de l'eau douce. Si vous utilisez le nettoyant multi-usage Kärcher (numéro de pièce 9.558-144.0), appliquez-le sur la surface à basse pression. Pour de meilleurs résultats, limitez votre zone de travail à des sections plus petites d'environ 25 pi<sup>2</sup> (2,3 m<sup>2</sup>). Laissez le nettoyant multi-usages Kärcher agir sur la surface pendant 1 à 3 minutes. Ne laissez pas le détergent sécher sur la surface. Rincer à haute pression en effectuant un long mouvement de balayage en gardant la buse de pulvérisation à environ 3 à 6 pouces (8 à 15 cm) de la surface à nettoyer. Nettoyez toujours de haut en bas et de gauche à droite. Lorsque vous passez à une nouvelle section de la surface de nettoyage, veillez à chevaucher la section précédente pour éliminer les marques d'arrêt et garantir un résultat de nettoyage plus uniforme.

### Automobiles, bateaux et motocyclettes

**(Avec ou sans détergent).** Pré-rincer le véhicule à l'eau douce. Si vous utilisez le nettoyant et la cire pour véhicules Kärcher (numéro de pièce 9.558-946.0), appliquez sur la surface à basse pression. Pour de meilleurs résultats, nettoyez un côté du véhicule à la fois et appliquez toujours le détergent de bas en haut, ne laissez pas le détergent sécher sur la surface.

Si nécessaire, utilisez une brosse de lavage spéciale (non incluse) pour éliminer la saleté tenace. Rincer à haute pression dans un mouvement de balayage en gardant la buse de pulvérisation à environ 6 à 8 pouces (15 à 20 cm) de la surface à nettoyer (la distance doit augmenter lors du rinçage des rayures ou d'autres surfaces sensibles). Nettoyez toujours de haut en bas et de gauche à droite. Pour de meilleurs résultats, essuyez la surface avec une peau de peau ou un chiffon doux et sec.

## CONSEILS SUR LE NETTOYAGE

### Parements de maison

**(Avec ou sans détergent).** Pré-rincer la surface de nettoyage à l'eau douce. Si vous utilisez le nettoyeur multi-usages Kärcher (numéro de pièce 9.558-144.0), appliquez-le sur la surface à basse pression (pour de meilleurs résultats, limitez votre zone de travail à des sections d'environ 6 pieds (1,8 m) et appliquez toujours le détergent de bas en haut). Laissez le détergent rester sur la surface pendant 1 à 3 minutes. Ne laissez pas le détergent sécher sur la surface. Si la surface semble sécher, mouillez simplement la surface avec de l'eau douce. Si nécessaire, utilisez une brosse de lavage spéciale (numéro de pièce 8.923-682.0 Brosse de lavage rotative, vendue séparément) pour éliminer la saleté tenace. Rincer à haute pression de haut en bas en effectuant un mouvement de balayage régulier en gardant la buse de pulvérisation à environ 15 cm de la surface à nettoyer.

### Patio de ciment, de briques et de pierres

**(Avec ou sans détergent).** Pré-rincer la surface de nettoyage à l'eau douce. Si vous utilisez le nettoyeur multi-usages Kärcher (numéro de pièce 9.558-144.0), appliquez-le sur la surface à basse pression. Pour de meilleurs résultats, limitez votre zone de travail à des sections plus petites d'environ 25 pi<sup>2</sup> (2,3 m<sup>2</sup>). Laissez le nettoyeur multi-usages Kärcher agir sur la surface pendant 1 à 3 minutes. Ne laissez pas le détergent sécher sur la surface. Rincer à haute pression dans un mouvement de balayage en gardant la buse de pulvérisation à environ 3 à 6 pouces (8 à 15 cm) de la surface à nettoyer. Nettoyez toujours de haut en bas et de gauche à droite. Pour éliminer les taches extrêmement tenaces, utilisez une buse de pulvérisation Turbo Buse (numéro de pièce 8.641-034.0, vendue séparément).

### Barbecues, équipements motorisés d'extérieur et outils de jardin

**(Avec ou sans détergent).** Pré-rincer la surface de nettoyage à l'eau douce. Si vous utilisez le nettoyeur multi-usages Kärcher (numéro de pièce 9.558-144.0), appliquez le détergent à basse pression. Laissez le nettoyeur multi-usages Kärcher agir sur la surface pendant 1 à 3 minutes. Ne laissez pas le détergent sécher sur la surface. Rincer à haute pression en gardant la buse de pulvérisation à environ 3 à 6 pouces (8 à 15 cm) de la surface à nettoyer. Pour éliminer la saleté extrêmement tenace, il peut être nécessaire de rapprocher encore plus la buse de pulvérisation de la surface pour une meilleure action de coupe de la saleté.

### Patio et meubles de jardin

**(Avec ou sans détergent).** Pré-rincer les meubles et les environs à l'eau douce. Si vous utilisez le nettoyeur multi-usages Kärcher, appliquez-le sur la surface à basse pression. Laissez le nettoyeur multi-usages Kärcher agir sur la surface pendant 1 à 3 minutes. Ne laissez pas le détergent sécher sur la surface. Si nécessaire, utilisez la brosse de lavage spéciale (numéro de pièce 8.923-682.0, brosse de lavage rotative, vendue séparément) pour éliminer la saleté tenace. Rincer à haute pression dans un mouvement de balayage en gardant la buse de pulvérisation à environ 3 à 6 pouces (8 à 15 cm) de la surface à nettoyer. Pour de meilleurs résultats, nettoyez de haut en bas et de gauche à droite.

## CONSEILS SUR LE NETTOYAGE

### Recommandations

- Avant de procéder au nettoyage, nettoyer un endroit peu visible afin de déterminer la distribution de la vaporisation.
- Si les surfaces peintes s'écaillent ou s'effritent, soyez très prudent puisque la laveuse à pression pourrait enlever les écailles de peinture de la surface.
- Lorsque vous utilisez l'appareil sur des surfaces pouvant entrer en contact avec le bois, rincez les surfaces avec beaucoup d'eau douce.
- Pour des conseils de nettoyage additionnels, veuillez visiter notre site web [karcher.com/us](http://karcher.com/us) or [karcher.com/ca](http://karcher.com/ca).

### Accessoires optionnels

Des accessoires optionnels sont disponibles pour améliorer davantage vos capacités de nettoyage. Ces accessoires sont exacts à la date d'impression de ce manuel. Veuillez consulter notre site Web : [karcher.com/us](http://karcher.com/us) or [karcher.com/ca](http://karcher.com/ca) for pour des prix et des informations à jour.

- Rallonge du boyau
- Buse turbo
- Nettoyeur de surface 15" (38.1 cm)

## DÉPANNAGE

### ⚠ MISE EN GARDE

Avant de procéder aux réparations, débrancher toujours le câble de la bougie d'allumage afin d'éviter tout démarrage accidentel du moteur.

PROBLÈME	CAUSE	SOLUTION
<b>LE MOTEUR NE DÉMARRE PAS</b>	Absence d'essence.	Remplir le réservoir d'essence.
	Interrupteur moteur ÉTEINT.	Tournez l'interrupteur moteur en position MARCHÉ.
	L'étrangleur n'est pas dans la bonne position.	Pousser glisser le levier de l'étrangleur en position fermée.
	Accumulation de pression d'eau dans de la machine.	Serrer le déclencheur pour relâcher la pression.
	<b>Pour d'autres problèmes liés au moteur, veuillez consulter le manuel du moteur.</b>	
<b>D'EAU PRESSION FAIBLE</b>	Le diamètre du boyau d'arrosage est trop petit.	Remplacer avec un boyau d'arrosage d'un diamètre interne de 5/8 po ou plus.
	L'alimentation en eau est restreinte.	Vérifier toute présence de plis, de fuites ou d'obstruction du boyau.
	Entrée d'eau insuffisante alimentation.	Tourner l'alimentation en eau à plein régime. Vérifier le boyau d'arrosage pour toute éventuelle présence de plis, de fuites ou de blocage.
	Le filtre d'entrée d'eau est obstrué.	Retirer le filtre et le rincer à l'eau tiède.
	La buse à détergent noire est fixée.	Retirer la buse à détergent noire et fixer la buse à haute pression.
<b>DE SORTIE LA PRESSION VARIE D'UN NIVEAU ÉLEVÉ À FAIBLE</b>	Entrée d'eau insuffisante alimentation.	Tourner l'alimentation en eau à plein régime. Vérifier le boyau d'arrosage pour toute éventuelle présence de plis, de fuites ou de blocage.
	La pompe aspire de l'air.	Vérifier que les boyaux et les raccords sont étanches à l'air. Arrêter la machine et purger la pompe en serrant le pistolet déclencheur jusqu'à ce qu'un débit régulier d'eau se dégage de la buse.
	Le filtre d'entrée d'eau est obstrué.	Retirer le filtre et le rincer à l'eau tiède.
	La buse de pulvérisation est obstruée.	Souffler ou retirer les débris à l'aide d'une aiguille fine.
	Pistolet, boyau ou tube de vaporisation calcifié.	Faire circuler du vinaigre distillé dans le détergent tube d'aspiration.

## DÉPANNAGE

PROBLÈME	CAUSE	SOLUTION
<b>ABSENCE DE DÉTERGENT</b>	Le tube d'aspiration de détergent n'est pas adéquatement raccordé à la machine.	Vérifier le raccord.
	Tube d'aspiration de détergent plié.	Avec la machine et l'eau éteintes, détachez le tube d'aspiration pour l'aider à se déplier, puis rattachiez-le.
	Le détergent est trop épais.	Diluer le détergent, pour des résultats optimaux, utiliser du détergent Kärcher.
	Le filtre du tube d'aspiration de détergent est obstrué.	Faire circuler de l'eau tiède par le filtre pour retirer les débris.
	Tube d'aspiration du détergent endommagé ou obstrué.	Retirer l'obstruction ou remplacer le détergent tube d'aspiration.
	Une buse à haute pression est attachée.	Remplacer par une buse à détergent noire.
	La buse de pulvérisation est obstruée.	Souffler ou retirer les débris à l'aide d'une aiguille fine.
<b>DU BOYAU D'ARROSAGE LE RACCORD FUIT</b>	Raccords desserrés.	Serrer les raccords.
	Rondelle en caoutchouc manquante/usée.	Insérer une nouvelle rondelle.
<b>LE TUBE DE VAPORISATION FUIT</b>	Le tube de vaporisation n'est pas adéquatement attaché	Tourner l'écrou tournant du pistolet en sens horaire jusqu'à ce que le raccord est trop serré
	Joint torique ou encart de plastique brisé	Visitez <a href="http://www.karcher-help.com">www.karcher-help.com</a> ou trouvez un centre de service au <a href="http://www.karcher-service.com">www.karcher-service.com</a>
<b>LA POMPE EST BRUYANTE</b>	Approvisionnement en eau insuffisant.	Vérifier que les boyaux et les raccords sont étanches à l'air. Arrêter la machine et purger la pompe en serrant le pistolet déclencheur jusqu'à ce qu'un débit régulier d'eau se dégage de la buse.

## DÉPANNAGE

PROBLÈME	CAUSE	SOLUTION
<b>FUITES D'EAU DEPUIS LA POMPE (JUSQU'À 10 GOUTTES PAR MINUTE EST PARMISSIBLE)</b>	Raccords desserrés.	Serrer les raccords.
	Les bouchons d'eau sont endommagés ou usés.	Visitez <a href="http://www.karcher-help.com">www.karcher-help.com</a> ou trouvez un centre de service au <a href="http://www.karcher.com/ca">www.karcher.com/ca</a>
	Dispositif de protection thermique est activé.	Le dispositif de protection thermique se réinitialisera automatiquement. Ne pas faire fonctionner la pompe plus de 5 minutes sans pulvérisation.
<b>FUITE D'HUILE</b>	Les joints étanches à l'huile sont endommagés ou usés	Visitez <a href="http://www.karcher-help.com">www.karcher-help.com</a> ou trouvez un centre de service au <a href="http://www.karcher.com/us">www.karcher.com/us</a> or <a href="http://www.karcher.com/ca">www.karcher.com/ca</a> .

Si le problème que vous expérimentez n'est pas indiqué ci-haut, ou si les solutions proposées ne règlent pas le problème, veuillez consulter notre base de données de dépannage complète en ligne au:

**[www.karcher-help.com](http://www.karcher-help.com) or [www.karcher.com/ca/support/faqs.html](http://www.karcher.com/ca/support/faqs.html)**

# Machines À Laver A Haute Pression

## Garantie limitée de 3 ans

# KÄRCHER

Ce produit Kärcher est garanti comme étant exempt de défauts de fabrication et de vices de matériau sous utilisation normale.

La présente garantie s'applique :

- Aux moteurs Kärcher de série KPS et KXS garantis pour trois (3) ans, pièces, main-d'oeuvre et service, par un centre de service Kärcher
- Les moteurs de série GX Honda sont garantis trois (3) ans, pièces, main-d'oeuvre et service, par un centre de service Honda autorisé
- Les pompes sont garanties trois (3) ans, pièces, main-d'oeuvre et service, par un centre de service Kärcher
- Les châssis, les poignées et les réservoirs à détergent ainsi que tous les composants structuraux sont assortis sont garantis trois (3) ans, pièces et main-d'oeuvre.
- **Les accessoires standards et les pièces jointes sont garantis pendant quatre-vingt-dix (90) jours.**
- **Toute utilisation commerciale, industrielle ou de location de cet équipement ANNULERA la garantie.**

La période de garantie est calculée à compter de la date d'achat de l'utilisateur final et couvre les coûts de remplacement des pièces et/ou du matériel et de la main-d'oeuvre. Pour vérifier l'état de la garantie, la machine doit faire l'objet d'une évaluation par un centre de service Kärcher autorisé ou par un centre de service autorisé représentant le fabricant du moteur.

Une copie du reçu d'achat d'origine ou un reçu-cadeau du détaillant d'origine doit également accompagner la réclamation en garantie.

Pour localiser le centre de service Kärcher autorisé le plus proche, veuillez visiter notre site Web à l'adresse [www.karcher-help.com](http://www.karcher-help.com) ou [www.karcher.com/ca/support/faqs.html](http://www.karcher.com/ca/support/faqs.html). Votre appareil doit être enregistré pour nous aider avec toutes questions ou problèmes que vous avez. Vous pouvez enregistrer votre appareil à [www.karcher-register.com](http://www.karcher-register.com).

L'obligation de Kärcher en vertu de la présente garantie se limite strictement, à la discrétion de Kärcher, soit au remplacement, soit à la réparation, directement par Kärcher ou par un concessionnaire de service autorisé, sans frais, pendant la période de garantie, de toute pièce qui, selon l'avis du fabricant, présente un défaut de fabrication ou de matériaux. Le service sera programmé en fonction du flux de travail normal et des heures d'ouverture du centre de service, ainsi que de la disponibilité des pièces de rechange. Toutes les décisions de Kärcher concernant cette garantie limitée seront définitives.

La présente garantie ne couvre pas :

- Marchandises vendues comme reconditionnées, d'occasion, modèles de démonstration ou modèles d'exposition.
- Marchandises d'occasion ou reconditionnées achetées sur eBay et d'autres sites de vente aux enchères en ligne.
- Les dommages causés par toute utilisation abusive, négligence, tout accident, abus, toute manutention inappropriée, gel, usure normale et non-respect du manuel d'utilisation.
- Les dommages causés par les sédiments et l'eau, une alimentation en eau contaminée ou l'utilisation de produits chimiques et les détergents non approuvés ni recommandés par Kärcher.

## INFORMATION SUR LA GARANTIE

- Les dommages causés par des actes de la nature comme des inondations, des incendies, des séismes, la foudre, etc.
- Les appareils ou les accessoires non distribués par Kärcher. Toute utilisation desdits appareils ou accessoires annulera la garantie tacite.
- Les réparations effectuées par l'utilisateur final ou un centre de service non autorisé par Kärcher. Toute altération du matériel ou des accessoires Kärcher annuleront la garantie tacite.
- Tous les frais d'expédition à la charge du client ou du centre de service autorisé pour toute pièce ou matériel allégué défectueux.

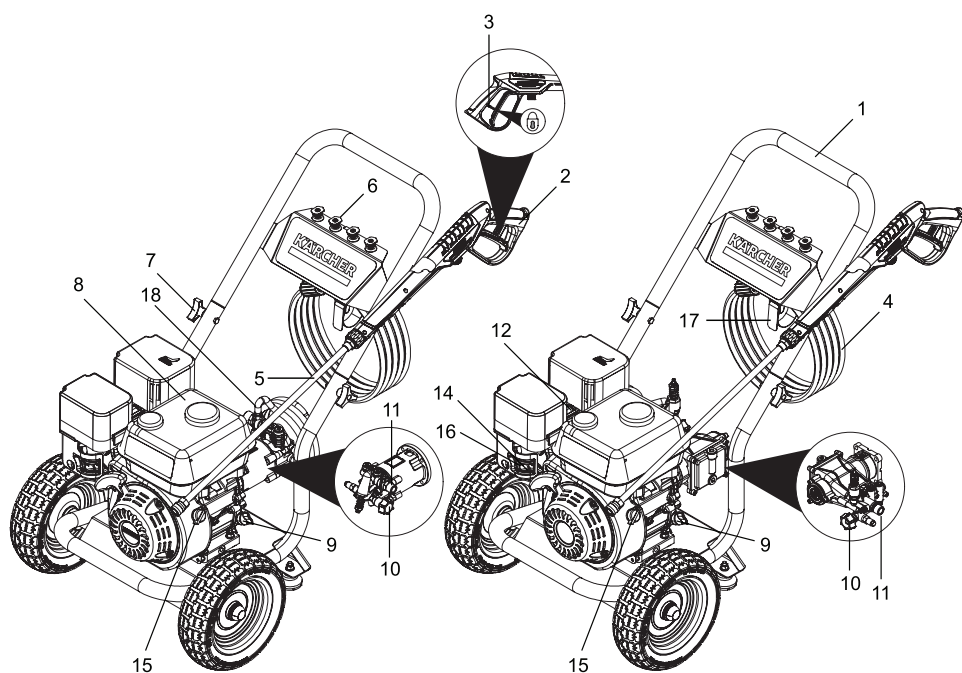
Cette garantie est non transférable et ne s'applique qu'aux produits achetés auprès d'un revendeur Kärcher autorisé aux États-Unis et au Canada. Le matériel qui est fourni, mais qui n'est pas fabriqué par Kärcher, comme les moteurs à essence Honda et Kohler, est assujéti à des garanties et un service par l'entremise des centres de service du fabricant, selon les modalités fournies par le fabricant d'origine respectif du matériel. Kärcher n'est pas autorisée et n'est aucunement responsable de fournir un service de garantie pour les moteurs Honda et Kohler. La présente garantie vous confère des droits légaux précis. Vous pourriez avoir d'autres droits, qui varient selon le pays et l'État ou la province.

**Veillez vous enregistrer en ligne au [www.karcher-register.com](http://www.karcher-register.com) ou [karcher.com/ca](http://karcher.com/ca)  
L'inscription en ligne s'effectue rapidement et vous fournit un courriel de confirmation à conserver dans vos dossiers.**

## VISTA GENERAL DEL MODELO

- 1 Manubrio
- 2 Pistola de Disparo
- 3 Seguro de Disparo
- 4 Manguera de alta presión
- 5 Lanza
- 6 Boquillas de Conexión rápida
- 7 Perilla
- 8 Tanque de Combustible
- 9 Varilla de aceite
- 10 Toma de agua con conector para manguera de jardín
- 11 Salida de alta presión
- 12 Bujía
- 13 Filtro de agua (instalado en la bomba)
- 14 Ahogador
- 15 Interruptor de encendido y apagado
- 16 Interruptor de combustible
- 17 Correa
- 18 Manguera de sifón con filtro

*\*Para obtener detalles del motor, consulte el manual del motor.*



# MANUAL DE USUARIO DE LA HIDROLAVADORA DE ALTA PRESIÓN

## Contenido

Vista General del Modelo	41
Información General	43
Servicio al Cliente	44
Instrucciones importantes de seguridad	44
Instrucciones de montaje	46
Instrucciones de funcionamiento	49
Utilización de los accesorios	51
Trabajar con detergentes	52
Tomarse un descanso	52
Apagado y limpieza	53
Almacenamiento	53
Protección en el invierno y almacenaje prolongado	54
Instrucciones de mantenimiento	54
Consejos de limpieza	55
Localización y reparación de averías	57
Información de la garantía	59

## Especificaciones

<b>G 3400 P</b>	
Max. presión	3400 PSI
Max. flujo de agua	2.5 GPM
Succión de detergente	0.16 GPM
Motor	Karcher KXS Series
Tipo de combustible	Gasolina sin plomo
Tamaño del tanque de gasolina	3.6 L (0.95 gal)
Tipo de aceite para motor	SAE 10W-30
Capacidad de aceite en el motor	0.6 L (0.63 US qt)
Número de parte	1.107-534.0
Boquilla - Amarillo, 15 deg	3400 PSI a 2.5 GPM
Boquilla - Verde, 25 deg	3200 PSI a 2.6 GPM
Boquilla - Blanco, 40 deg	2900 PSI a 2.7 GPM
Boquilla - Negro, 60 deg	900 PSI a 2.8 GPM
N.º de Kit de Boquilla	8.758-924.0

## Especificaciones

<b>G 3200 P</b>	
Max. presión	3200 PSI
Max. flujo de agua	2.4 GPM
Succión de detergente	0.15 GPM
Motor	Karcher KXS Series
Tipo de combustible	Gasolina sin plomo
Tamaño del tanque de gasolina	0.95 gal (3.6 L)
Tipo de aceite para motor	SAE 10W-30
Capacidad de aceite en el motor	0.6 L (0.63 US qt)
Número de parte	1.107-533.0
Boquilla - Amarillo, 15 deg	3200 PSI a 2.4 GPM
Boquilla - Verde, 25 deg	2900 PSI a 2.5 GPM
Boquilla - Blanco, 40 deg	2600 PSI a 2.6 GPM
Boquilla - Negro, 60 deg	900 PSI a 2.8 GPM
N.º de Kit de Boquilla	8.759-082.0

<b>G 3600 P</b>	
Max. presión	3600 PSI
Max. flujo de agua	2.6 GPM
Succión de detergente	0.16 GPM
Motor	Karcher KXS Series
Tipo de combustible	Gasolina sin plomo
Tamaño del tanque de gasolina	3.6 L (0.95 gal)
Tipo de aceite para motor	SAE 10W-30
Capacidad de aceite en el motor	0.6 L (0.63 US qt)
Número de parte	1.107-535.0
Boquilla - Amarillo, 15 deg	3600 PSI a 2.6 GPM
Boquilla - Verde, 25 deg	3200 PSI a 2.7 GPM
Boquilla - Blanco, 40 deg	2900 PSI a 2.7 GPM
Boquilla - Negro, 60 deg	900 PSI a 2.8 GPM
N.º de Kit de Boquilla	8.759-082.0

# INFORMACIÓN GENERAL

## Uso adecuado

Esta Hidrolavadora de alta presión está diseñada:

- Para limpiar máquinas, vehículos, edificios, herramientas, fachadas, terrazas, patios, entradas de vehículos, pasillos, equipos de jardinería, etc. (en algunos escenarios de limpieza pueden ser necesarios detergentes).

- Para usar con accesorios, repuestos y detergentes aprobados por KÄRCHER. Observe las instrucciones proporcionadas con estos detergentes.

## Protección del medio ambiente



El material de embalaje se puede reciclar. Por favor, no tire el embalaje a la basura ordinaria para su eliminación, sino que organice el reciclaje adecuado.



Los electrodomésticos viejos contienen materiales valiosos que se pueden reciclar. Por favor, organice el reciclaje adecuado de los electrodomésticos viejos. Deseche sus electrodomésticos viejos utilizando los sistemas de recolección adecuados.

## Notas sobre los ingredientes (REACH)

Encontrará información actualizada sobre los ingredientes en:

[www.kaercher.com/REACH](http://www.kaercher.com/REACH).

## Símbolos de aviso de seguridad

### PELIGRO

Indicación de una amenaza inminente de peligro que provocará lesiones graves o incluso la muerte.

### ADVERTENCIA

Indicación de una situación potencialmente peligrosa que puede provocar lesiones graves o incluso la muerte.

### ATENCIÓN

Indicación de una situación potencialmente peligrosa que puede provocar lesiones leves.

## ATENCIÓN

Indicación de una situación potencialmente peligrosa que puede provocar daños materiales.

## Responsabilidad del propietario/usuario



Lea y siga estas instrucciones originales antes de usar su dispositivo por primera vez y consérvelas para futuras consultas o para propietarios posteriores.

El propietario y/o el usuario deben comprender bien las instrucciones de servicio y advertencias del fabricante antes de empezar a utilizar esta hidrolavadora de alta presión. Debe prestarse especial atención y tener muy claras las advertencias. Si el operador no habla con fluidez el español, las instrucciones y advertencias del fabricante deberán ser leídas al operador y discutidas en el idioma nativo del operador por el comprador/propietario, asegurándose de que el operador comprenda su contenido. El propietario y/o el usuario deben estudiar y conservar las instrucciones del fabricante para futuras referencias.

El operador debe saber cómo detener rápidamente la hidrolavadora y comprender el funcionamiento de todos los controles.

## Guarde estas instrucciones

La etiqueta del código QR debe considerarse una parte permanente de esta hidrolavadora y debe permanecer con ella si se revende.

## Leer el manual del motor

Lea el manual del motor (que está separado de este manual) antes de arrancar.

## CONSERVE ESTAS INSTRUCCIONES

## SERVICIO AL CLIENTE

### Registro

Su dispositivo debe estar registrado para poder ayudarlo con cualquier pregunta o problema que tenga. Puede registrar su dispositivo en **www.karcher-register.com** si se encuentra en EE. UU., **www.karcher.com/ca** si se encuentra en Canadá o **www.karcher.com/mx** si se encuentra en México.

### Garantía

En el caso de una reclamación de garantía, puede ponerse en contacto con el servicio de atención al cliente. Consulte la información de contacto que se detalla a continuación para EE. UU., Canadá o México. DEBE proporcionar su comprobante de compra para presentar un reclamo de garantía por correo electrónico, teléfono o fax.

### Atención al cliente de EE. UU.

Puede comunicarse con nuestro departamento de Atención al cliente por teléfono al **1-800-537-4129** o a través del sitio web en **www.karcher-help.com**.


### Atención al cliente de Canadá

Puede comunicarse con nuestro departamento de Atención al cliente por teléfono al **1-800-465-4980** o a través del sitio web en **www.karcher.com/ca**.

### Atención al cliente de México

Puede comunicarse con nuestro departamento de Servicio al Cliente al teléfono **01-800-024-1313** o a través del sitio web **www.karcher.com/mx**.

## INSTRUCCIONES IMPORTANTES DE SEGURIDAD

 Antes de la puesta en marcha, leer el manual de instrucciones del fabricante del motor, especialmente las indicaciones de seguridad.

### ADVERTENCIA

Al utilizar este producto, tome siempre las precauciones básicas, incluidas las siguientes:

- Lea todas las instrucciones antes de usar el producto.
- Para reducir el riesgo de lesiones, es preciso vigilar atentamente si se usa el producto cerca de niños.
- Las hidrolavadoras de alta presión no deben ser utilizados por niños ni por personal no capacitado.
- Es necesario saber cómo parar rápidamente el producto y liberar la presión atrapada. Estar familiarizado con los mandos.
- Estar atento, prestar atención a lo que se está haciendo.
- No ponga en funcionamiento el producto si está cansado o está bajo la influencia de alcohol o drogas.
- Mantenga la zona de trabajo libre de personas.

- No sobrecargar o colocar sobre un soporte inestable. Mantener el equilibrio en todo momento.
- Seguir las instrucciones de mantenimiento especificadas en el manual.
- Para evitar riesgos, es necesario que las reparaciones y el montaje de piezas de repuesto sean realizados únicamente por personal entrenado.
- Las mangueras de alta presión, los accesorios y los acoplamientos son importantes para la seguridad de la máquina. Utilice únicamente mangueras, accesorios y acoplamientos recomendados por el fabricante.

### ADVERTENCIA

Riesgo de inyección o lesiones - No dirigir el chorro directamente sobre personas o animales.

- Los chorros de alta presión pueden resultar peligrosos si se usan de forma incorrecta. No se debe dirigir el chorro a personas, animales, dispositivos eléctricos o al equipo mismo.
- No dirija el chorro hacia usted o hacia otras personas para limpiar ropa o calzado.

## INSTRUCCIONES IMPORTANTES DE SEGURIDAD

- No utilice la máquina dentro del alcance de personas a menos que usen protección ropa.
- Para garantizar la seguridad de la máquina, utilice únicamente repuestos originales del fabricante o aprobado por el fabricante.

### PELIGRO

No disparar sobre conexiones eléctricas, enchufes o aparatos.

### ADVERTENCIA

Riesgo de explosión - No disparar sobre líquidos inflamables. Operar solamente donde la llama abierta sea permitida.

- No usar ácidos, solventes, o cualquier material inflamable o alcalino en este producto. Estos productos pueden causar heridas físicas al operario y daños irreparables a la máquina.

### ADVERTENCIA

La pistola rebota hacia atrás - Sujétela con ambas manos.

- El seguro del gatillo de la pistola evita que el gatillo se accione de forma involuntaria. El dispositivo de seguridad deberá ser ganchado cuando se estén reemplazando las boquillas o cuando no se este usando.

### ADVERTENCIA

Riesgo de asfixia - Usar este producto únicamente en una zona bien ventilada.

- Asegúrese de que las emisiones de escape no estén cerca de las tomas de aire.
- Operar y reabastecer la máquina en una zona bien ventilada, donde no haya dispositivos con un piloto o llama abierta tales como boiler, calentadores de agua, etc.
- Hacer funcionar este producto en interiores puede provocar la muerte debido al monóxido de carbono, un gas venenoso que no se puede ver ni oler. Nunca opere en interiores, incluso si las ventanas y puertas están abiertas. Úselo solo al aire libre y lejos de ventanas, puertas y aberturas o conductos de ventilación.

- Durante el uso dehidrolavadoras de alta presión, se pueden formar aerosoles. La inhalación de aerosoles puede ser peligrosa para la salud.

- No use la máquina si un cable de alimentación o partes importantes de la máquina están dañado, por ejemplo, dispositivos de seguridad, mangueras de alta presión, pistola de gatillo.

### ADVERTENCIA

No se deben utilizar combustibles incorrectos, ya que pueden resultar peligrosos.

### ADVERTENCIA

Apague siempre el interruptor de encendido/apagado cuando deje la máquina desatendida.

### ADVERTENCIA

Riesgo de incendio - no agregar gasolina a la máquina mientras esté en funcionamiento o aún caliente.

### ADVERTENCIA

- No poner en funcionamiento si se ha derramado gasolina. Mueva la máquina a otro lugar para evitar que se produzcan chispas.
- La máquina tiene superficies calientes que pueden causar quemaduras. Poner en funcionamiento el aparato en un ambiente seguro y lejos de niños.
- No tocar las superficies calientes o permitir que los accesorios estén en contacto con las superficies calientes.
- No dejar la máquina sin supervisión cuando esté en funcionamiento.
- Evitar inclinar la máquina hacia un lado.

## INSTRUCCIONES IMPORTANTES DE SEGURIDAD

### ADVERTENCIA

Lesiones serias pueden resultar debido a descargas de alta presión producidas por la hidrolavadora.

Mantener fuera del alcance de niños.

### ADVERTENCIA DE LA PROPUESTA 65:

Este producto puede exponerlo a agentes químicos que incluyen plomo y Flalato de Diisononilo, los cuales son reconocidos por el Estado de California como causantes de cáncer, defectos de nacimiento u otros daños reproductivos. Para más información, diríjase a [www.P65Warnings.ca.gov](http://www.P65Warnings.ca.gov)

Lávese las manos después de manejar este producto.

### CONSERVE ESTAS INSTRUCCIONES

### Suministro de Agua (Sólo agua fría)

### ADVERTENCIA



El agua que ha fluido a través de las válvulas antirretorno se considera no potable. Utilice un filtro de agua para evitar posibles daños por suciedad en el suministro de agua.

- La manguera del jardín debe tener al menos un diámetro interno de 5/8 pulgadas.
- El flujo del suministro de agua no debe caer por debajo de 2,64 GPM (galones por minuto) (10 l/min (litros por minuto)).
- El flujo de agua del suministro se puede determinar dejando correr el agua durante un minuto en un balde vacío de 5 galones (recipiente de 20 litros).
- Presión de suministro debe ser superior a 40 PSI.
- La temperatura de agua no debe exceder los 104°F/40°C.
- No usar la hidrolavadora de presión con agua contaminada con disolventes, por ejemplo diluyentes para pintura, gasolina, aceite etc.
- Evitar que entren escombros en la unidad, para ello use una fuente de agua limpia. Use un filtro adicional de agua.
- No ponga en funcionamiento la hidrolavadora de presión sin agua.

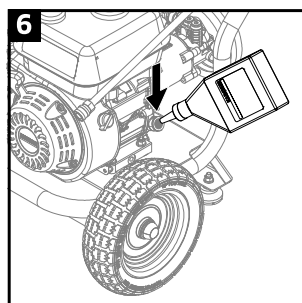
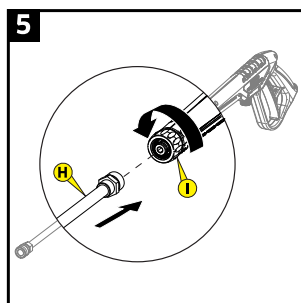
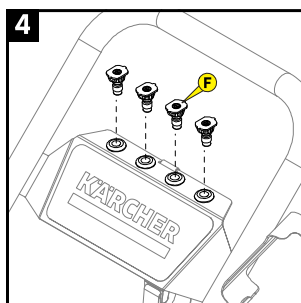
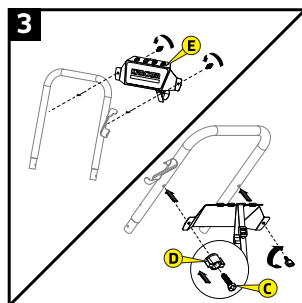
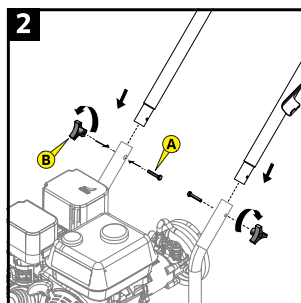
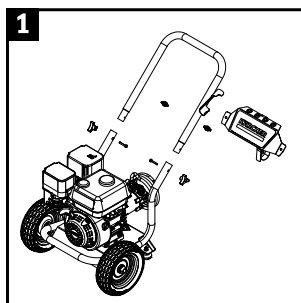
# INSTRUCCIONES DE MONTAJE

## Partes (Incluidas)

	Número de Repuesto	Descripción	Propósito	Dibujo	Cant.
<b>A</b>	9.803-869.0	Perno hexagonal ¼"	Ensamble de manubrio		2
<b>B</b>		Perilla	Ensamble de manubrio		2
<b>C</b>	9.803-879.0	Perno hexagonal ¼"	Ensamble de soporte de boquillas		2
<b>D</b>		Perilla	Ensamble de soporte de boquillas		2
<b>E</b>	Para G 3200 P y G 3400 P: 8.934-214.0 For G 3600 P: 8.934-237.0	Soporte de boquillas	Ensamble de soporte de boquillas		1
<b>F</b>	For G 3200 P and G 3600 P: 8.759-082.0 For G 3400 P: 8.758-924.0	Kit de boquillas de conexión rápida	Ensamble de soporte de boquillas		1
<b>G</b>	8.929-633.0	Manguera de sifón para detergente	Ensamble de manguera para detergente		1
<b>H</b>	9.112-533.0	Lanza	Ensamble de pistola		1
<b>I</b>	8.641-024.0	Pistola rociadora	Ensamble de pistola		1
<b>J</b>	Para G 3200 P: 8.759-098.0 Para G 3400 P y G 3600 P: 8.760-638.0	Manguera de alta presión	Ensamble de pistola		1

# INSTRUCCIONES DE MONTAJE

## Montaje



### → Ilustración 2:

Fije el manubrio al marco de la lavadora a presión. Alinee los orificios, inserte los pernos hexagonales (A) y apriete con las perillas (B).

### → Ilustración 3:

Inserte los pernos hexagonales (C) en los botones del soporte de boquillas (D). Monte el soporte de boquillas (E) como se muestra en la ilustración, alinee los orificios, inserte el perno (C) y el botón (D), y apriete.

### → Ilustración 4:

Coloque las boquillas de conexión rápida (F) en el soporte de la boquilla.

### → Ilustración 5:

Empuje la lanza (G) en la pistola (H) y luego enrosque la conexión para asegurarla.

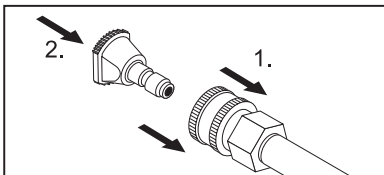
### → Ilustración 6:

Retire la tapa/varilla del motor y añada la cantidad correcta de aceite. Asegúrese de que el nivel de aceite esté entre las marcas "FULL/MAX" y "ADD/MIN" de la varilla, con la máquina sobre una superficie nivelada. Vuelva a colocar la tapa/varilla.

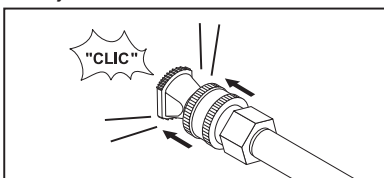
# INSTRUCCIONES DE FUNCIONAMIENTO

## ➔ PASO 1:

Jalar el anillo con resorte hacia la lanza para insertar la boquilla de conexión rápida elegida. Insertar la boquilla de conexión rápida elegida.



Soltar el anillo y empujar la boquilla hasta que encaje.



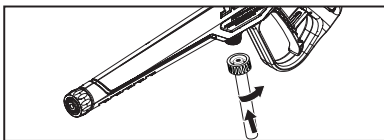
## ⚠️ ATENCIÓN

Alta presión en la zona de la boquilla. Riesgo de lesiones causados por una boquilla mal conectada.

- Asegúrese de oír el "clic" al insertar la punta de la boquilla en la lanza.
- Tirar de la boquilla para asegurarse de que está bien colocada antes de poner en funcionamiento la unidad.

## ➔ PASO 2:

Conectar la manguera de alta presión a la pistola. Asegúrese de enroskar la manguera completamente en la pistola de gatillo.



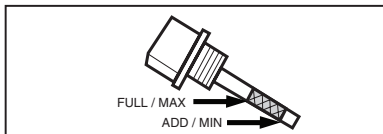
## ⚠️ ATENCIÓN

El motor es empaçado sin aceite. Antes de encender el motor, añadir aceite. No lo llene demasiado. No poner en funcionamiento el motor con un nivel de aceite demasiado bajo o demasiado alto ya que se puede dañar el motor.

Si tiene más preguntas sobre el motor, consulte el manual suministrado con el equipo.

## ➔ PASO 3:

Verificar el nivel de aceite. El nivel de aceite siempre debe estar entre las marcas "LLENO" y "AÑADIR" o "MAX" y "MIN" en la varilla, como se muestra a continuación.



Asegúrese de que la máquina esté nivelada cuando compruebe el nivel de aceite. (Consulte el manual de funcionamiento del motor para los grados según la estación).

## ➔ PASO 4:

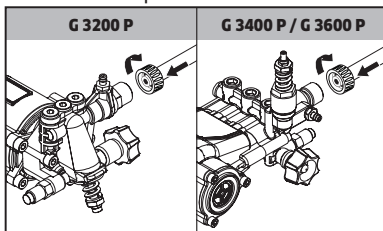
Lenar el tanque de combustible con gasolina sin plomo.

**No usar gasolina con plomo. Consulte el manual del motor para conocer el octanaje apropiado.**

**No añada aceite a la gasolina.**

## ➔ PASO 5:

Conecte la manguera de alta presión a la salida de alta presión de la bomba.



## ⚠️ ADVERTENCIA

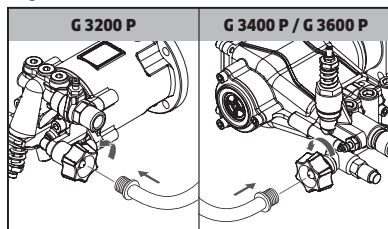
Las mangueras de alta presión, los accesorios y los acoplamientos son importantes para la seguridad del aparato.

Utilice únicamente mangueras, accesorios y acoplamientos recomendados por el fabricante.

# INSTRUCCIONES DE FUNCIONAMIENTO

## → PASO 6:

Conecte la manguera de jardín a la toma de agua fría.



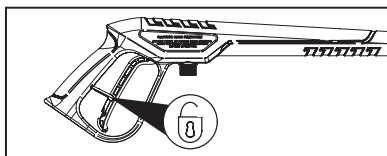
## → PASO 7:

Conecte la manguera de jardín a la toma de agua fría y abra el agua del todo.

**No usar agua caliente. (La temperatura del suministro de agua no debe exceder los 104 °F/40 °C).**

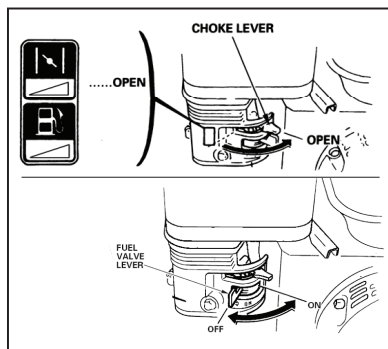
## → PASO 8:

Desbloquee el seguro del gatillo de la pistola. Dispare la pistola para eliminar el aire atrapado y espere hasta que salga un caudal de agua constante de la boquilla de conexión rápida.



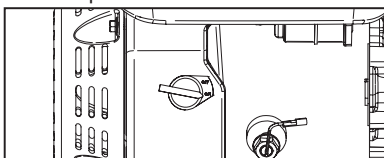
## → PASO 9:

Abra la palanca del estrangulador (posición RUN en un motor caliente), abra la válvula de combustible.



## → PASO 10:

Gire el interruptor de ENCENDIDO/APAGADO a la posición de ENCENDIDO.



## → PASO 11:

Tire de la manija de arranque. Si el motor no arranca después de 3 tirones, apriete el gatillo para liberar la presión y repita el paso.

Después de que el motor se haya calentado lo suficiente para funcionar suavemente, empuje el estrangulador a la posición de funcionamiento.

## ⚠ ADVERTENCIA

El retroceso del cable de arranque (retracción rápida) puede provocar lesiones corporales. El retroceso empujará la mano y el brazo hacia el motor más rápido de lo que puede soltar. SIEMPRE libere la presión de la pistola rociadora antes de jalar el cordón de arranque. Tire del cable de arranque lentamente hasta que sienta resistencia, luego tire rápidamente.

**Consulte el manual del motor para más información sobre el motor.**

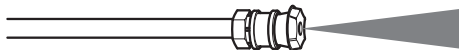
# UTILIZACIÓN DE LOS ACCESORIOS

## Boquillas de conexión rápida

Las boquillas de conexión rápida codificadas por colores ofrecen una gran variedad de anchos de pulverización de 15° a 65° y son de fácil acceso si se colocan en un práctico soporte de boquilla.

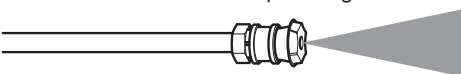
### 15° ángulo atomizador = Boquilla amarilla

Para suciedad sobre una superficie.



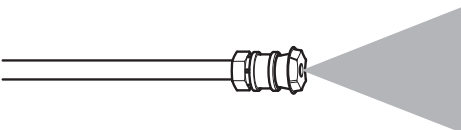
### 25° ángulo atomizador = Boquilla verde

Para suciedad sobre una superficie grande.



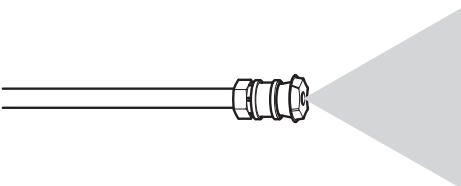
### 40° ángulo atomizador = Boquilla blanca

Para suciedad moderada sobre una superficie grande.



### 65° ángulo atomizador = boquilla de detergente negra

Para trabajar con detergente o limpiar con una presión muy baja.



## ⚠️ ATENCIÓN

Alta presión en la zona de la boquilla. Riesgo de lesiones causados por una boquilla mal conectada.

- Asegúrese de oír el "clic" al insertar la punta de la boquilla en la lanza.
- Tirar de la boquilla para asegurarse de está bien colocada antes de poner en funcionamiento la unidad. (INSTRUCCIONES DE FUNCIONAMIENTO: paso 1)

## ⚠️ ADVERTENCIA

Para evitar heridas graves, nunca dirija la boquilla pulverizadora hacia usted mismo, otras personas o animales.

## TRABAJAR CON DETERGENTES

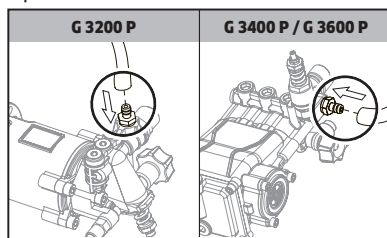
Sólo se pueden aplicar detergentes con la boquilla de detergente negra.

### → PASO 1:

Colocar la boquilla de detergente negra para aplicar detergente a baja presión.

### → PASO 2:

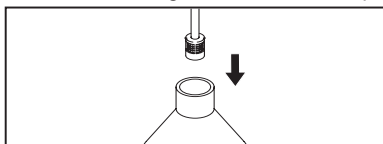
Asegúrese de que la manguera de sifón para detergente esté bien sujeta al conector químico de la bomba.



### → PASO 3:

Llene un recipiente con detergente Kärcher diluido correctamente.

Coloque el extremo con filtro del tubo de succión de detergente dentro del recipiente.



### → PASO 4:

Con el motor en marcha, tirar del gatillo para poner el equipo en funcionamiento. El detergente líquido se introduce en el equipo y se mezcla con agua. Aplicar detergente al área de trabajo. No permitir que el detergente se seque sobre la superficie.

### → PASO 5:

Dejar correr **siempre** agua fresca por el tubo de absorción de detergente al acabar el trabajo de limpieza para limpiar/extraer los restos de detergente del sistema de inyección.

**Para más información consulte la sección de consejos de limpieza.**

## Detergentes

### ⚠ ATENCIÓN

Siga las instrucciones de mantenimiento especificadas en el manual. Este aparato ha sido diseñado para ser utilizado con detergentes de limpieza del fabricante.

El uso de otros detergentes de limpieza puede afectar al funcionamiento del aparato y hacer que deje de tener validez la garantía.

**Utilice siempre detergentes Kärcher correctamente diluidos para obtener los mejores resultados.**

Los detergentes biodegradables de Kärcher están especialmente formulados para proteger el medio ambiente y su hidrolimpiadora. La fórmula especial no obstruirá el filtro de tubo y protegerá las partes internas de la lavadora a presión para prolongar su vida útil. Para los detergentes Kärcher, consulte con su distribuidor o visite nuestro sitio web:

[karcher.com/us](http://karcher.com/us) o [karcher.com/ca](http://karcher.com/ca)

### ⚠ ATENCIÓN

**No utilice nunca:**

- Lejía, productos que contengan cloro u otro tipo de productos químicos corrosivos.
- Líquidos que contengan disolventes (p. ej., diluyentes de pintura, gasolina, aceites).
- Productos de fosfato trisódico.
- Productos con amoníaco.
- Productos con base ácida.

### ⚠ ADVERTENCIA

El uso de estos químicos, cuando se usa con limpiadores de alta presión, puede convertirse en un aerosol. La inhalación de productos químicos que han sido aerosolizados puede ser peligrosa para la salud.

**Estos productos químicos dañarán la unidad y dañarán la superficie que se está limpiando.**

**El uso de estos artículos anulará la garantía.**

## TOMARSE UN DESCANSO... DE CINCO MINUTOS O MÁS

### → PASO 1:

Mover el interruptor de ENCENDIDO/ APAGADO del motor a la posición APAGADO (OFF).

### → PASO 2:

Suelte el gatillo y active el seguro del gatillo de la pistola.

## APAGADO Y LIMPIEZA

### → PASO 1:

Si se usaron detergentes, quitar el tubo de succión de detergente del contenedor e introducir 3.6 litros (1 galón) de agua limpia. Disparar agua a baja presión durante un minuto.

### → PASO 2:

Mover el interruptor de encendido (ON) del motor a la posición apagado (OFF). Cierre la válvula de combustible.

### → PASO 3:

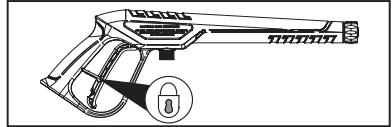
Cierre el grifo del agua.

### → PASO 4:

Presione el gatillo para liberar la presión del agua.

### → PASO 5:

Suelte el gatillo y active el seguro del gatillo de la pistola.



### → PASO 6:

Desconecte la manguera de jardín de la toma de agua de la unidad.

### → PASO 7:

Desconecte la manguera de alta presión de la salida de alta presión. Guarde la manguera de alta presión en la correa de soporte para manguera. Coloque la manguera de presión en la correa del soporte de la manguera, espere al menos 1 hora para que la máquina se enfríe.

## PROTECCIÓN EN EL INVIERNO Y ALMACENAJE PROLONGADO

Es altamente recomendable usar Lubricante/ Anticongelante de Kärcher (número de parte 8.760-686.0, se vende por separado) antes del almacenamiento invernal para proteger la bomba de la congelación y del desgaste prematuro.

### → PASO 1:

Mueva el interruptor de ENCENDIDO/ APAGADO de motor a la posición de APAGADO.

### → PASO 2:

Desconecte todas las mangueras.

### → PASO 3:

Desconecte la tapa del bote Lubricante.

### → PASO 4:

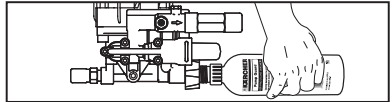
Quite el sello interno.

### → PASO 5:

Conecte nuevamente la tapa al bote.

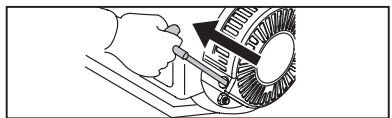
### → PASO 6:

Instale la botella en la entrada de la hidrolavadora y presione la botella.



### → PASO 7:

Jale la manija de arranque hasta que el fluido comience a salir por la salida de alta presión de la bomba.



### → PASO 8:

Desconecte el bote, disponga de él apropiadamente.

### ⚠ ATENCIÓN

Si no se cumplen las instrucciones mencionadas arriba, el grupo de la bomba y los accesorios sufrirán daños y anulará su garantía.

## INSTRUCCIONES DE MANTENIMIENTO

### Bomba

#### Uso Inicial

Todas las bombas vienen con aceite directamente de fábrica. No es necesario añadir aceite.

#### Inspección de la bomba

Debe realizar una inspección visual de rutina de la bomba de la hidrolavadora a presión. Si ve que pierde aceite en las juntas de la bomba, lleve la hidrolavadora a presión a un servicio técnico autorizado de Kärcher. (Puede localizar a un servicio técnico en su zona online en: [www.kaercher.com/us/find-a-dealer.html](http://www.kaercher.com/us/find-a-dealer.html) si se encuentra en los EE.UU. o [www.kaercher.com/ca/support/services/home-and-garden.html](http://www.kaercher.com/ca/support/services/home-and-garden.html) si se encuentra en Canadá.

### Mantenimiento de la bomba

La bomba de su hidrolavadora Kärcher no requiere mantenimiento. Cualquier intento de revisar o modificar la bomba puede dañar su hidrolavadora a presión y anular su garantía.

### Motor

Llevar a cabo las tareas de mantenimiento del motor de acuerdo con las especificaciones indicadas en las instrucciones de funcionamiento del fabricante del motor.

## CONSEJOS DE LIMPIEZA

### Limpieza de cubiertas

**(Con o sin detergente).** Pre-enjuague la cubierta y el área circundante con agua limpia. Si utiliza Kärcher Multi-purpose Cleaner (número de parte 9.558-144.0), aplíquelo en la superficie a baja presión. Para obtener mejores resultados, divida el área de trabajo en aprox. 2.3 m<sup>2</sup> (25 pies<sup>2</sup>). Deje el Kärcher Multipurpose Cleaner sobre la superficie durante 1-3 minutos. No deje que se seque el detergente sobre la superficie. Enjuague a alta presión mediante un movimiento de barrido, manteniendo la boquilla pulverizadora a aprox. 8-15 cm (3-6 pulgadas) de la superficie a limpiar. Limpie siempre de arriba hacia abajo y de izquierda a derecha. Cuando pase a la siguiente sección de la superficie a limpiar, asegúrese de solapar la nueva sección con la sección anterior para evitar que queden marcas de parada y garantizar, así, un resultado homogéneo.

### Autos, Barcos & Motocicletas

**(Con o sin detergente).** Enjuague previo del vehículo con agua dulce. Si utiliza Kärcher Vehicle Wash and Wax (número de pieza 9.558-946.0), aplíquelo a la superficie a baja presión. Para obtener mejores resultados, limpie un lado del vehículo a la vez y aplique siempre el detergente de abajo hacia arriba; no permita que el detergente se seque en la superficie. Si es necesario, utilice

un cepillo de lavado especial (no incluido) para eliminar la suciedad rebelde. Enjuague a alta presión con un movimiento de barrido manteniendo la boquilla rociadora aproximadamente a 6 a 8 pulgadas (15 a 20 cm) de la superficie a limpiar (la distancia debe aumentar al enjuagar superficies finas u otras superficies sensibles). Limpie siempre de arriba a abajo y de izquierda a derecha. Para obtener mejores resultados, seque la superficie con una gamuza o un paño suave y seco.

### Revestimiento de la casa

**(Con o sin detergente).** Pre-enjuague la superficie a limpiar con agua limpia. Si utiliza Kärcher Multi-purpose Cleaner (número de parte 9.558-946.0), aplíquelo a la superficie a baja presión (para obtener mejores resultados, divida la zona de trabajo en secciones de aproximadamente 1.8 metros (6 pies) y aplique siempre el detergente de abajo a arriba. Deje el Kärcher Multipurpose Cleaner sobre la superficie durante 1-3 minutos. No deje secar el detergente sobre la superficie. Si ve que la superficie se va a secar, simplemente moje la superficie con agua limpia. Si es necesario, utilice un accesorio especial como cepillo de lavado (número de pieza 8.923-682.0 Cepillo de lavado giratorio, se vende por separado) para quitar la suciedad difícil. Enjuague a alta presión mediante un movimiento de barrido homogéneo, manteniendo la boquilla pulverizadora a aprox. 15 centímetros de la superficie a limpiar.

## CONSEJOS DE LIMPIEZA

### Patios de cemento, ladrillos y piedra

**(Con o sin detergente).** Pre-enjuague la superficie a limpiar con agua limpia. Si utiliza Kärcher Multipurpose Cleaner (número de parte 9.558-144.0), aplíquelo en la superficie a baja presión. Para obtener mejores resultados, divida el área de trabajo en pequeñas secciones de aprox. 2.3 m<sup>2</sup> (25 pies<sup>2</sup>). Deje el Kärcher Multipurpose Cleaner, sobre la superficie durante 1-3 minutos. No deje que se seque el detergente sobre la superficie. Enjuague a alta presión mediante un movimiento de barrido, manteniendo la boquilla pulverizadora a aprox. 7-5 cm (3-6 pulgadas) de la superficie a limpiar. Limpie siempre de arriba a abajo y de izquierda a derecha. Para quitar manchas especialmente difíciles, utilice una boquilla Turbo Nozzle (número de pieza 8.641-034.0, se vende por separado).

### Parrillas, equipos con motor exteriores y herramientas de jardín

**(Con o sin detergente).** Pre-enjuague la superficie a limpiar con agua limpia. Si utiliza Kärcher Multipurpose Cleaner (número de parte 9.558-144.0), aplique el detergente a baja presión. Deje el Kärcher Multipurpose Cleaner sobre la superficie 1-3 minutos. No deje que el detergente se seque sobre la superficie. Enjuague a alta presión manteniendo la boquilla pulverizadora a aprox. 8-15 cm (3-6 pulgadas) de la superficie a limpiar. Para quitar suciedad especialmente difícil, puede ser necesario tener que poner la boquilla pulverizadora más cerca para que la potencia de limpieza sea mayor.

### Mobiliario de patios y jardines

**(Con o sin detergente).** Pre-enjuague el mueble y el área circundante con agua limpia. Si utiliza Kärcher Multipurpose Cleaner, aplíquelo a la superficie a baja presión. Deje el Kärcher Multipurpose Cleaner sobre la superficie durante 1-3 minutos. No deje que se seque el detergente sobre la superficie. Si es necesario, utilice un accesorio especial con cepillo de lavado (número de pieza 8.923-682.0 Cepillo de lavado giratorio, se vende por separado) para quitar la suciedad difícil. Enjuague a alta presión mediante un movimiento de barrido, manteniendo la boquilla pulverizadora a aprox. 8-15 cm (3-6 pulgadas) de la superficie a limpiar. Para obtener mejores resultados, limpie de arriba a abajo y de izquierda a derecha.

### Recomendaciones

- Antes de limpiar cualquier superficie, pruebe el patrón de rociado y la distancia en un área discreta.
- Si las superficies pintadas se están pelando o despintando, extreme las precauciones, ya que la hidrolavadora a presión podría arrancar la pintura suelta de la superficie.
- Cuando se utilice en superficies que puedan entrar en contacto con comida, enjuáguelas abundantemente con agua potable.
- Para consejos adicionales de limpieza, visita nuestra página web en: [karcher.com/us](http://karcher.com/us) o [karcher.com/ca](http://karcher.com/ca).

### Accesorios opcionales

Disponemos de accesorios de limpieza opcionales para mejorar la capacidad de limpieza. Estos accesorios son precisos desde la fecha de impresión de este manual. Consulte nuestra página Web: [karcher.com/us](http://karcher.com/us) o [karcher.com/ca](http://karcher.com/ca) para obtener información acerca de precios e información actualizada.

- Extensión de Manguera
- Boquilla Turbo
- Limpiador de superficies de 15"

## LOCALIZACIÓN Y REPARACIÓN DE AVERÍAS

### ATENCIÓN

Desconectar la bujía para evitar que el motor se encienda de forma involuntaria antes de realizar cualquier reparación.

PROBLEMA	CAUSA	SOLUCIÓN
<b>EL MOTOR NO ARRANCA</b>	No hay gasolina.	Llenar el depósito de gasolina.
	Interruptor de encendido apagado.	Gire el interruptor a la posición de encendido.
	El estrangulador no está en la posición correcta.	Empuje la palanca del estrangulador de la posición de cerrado.
	Presión de agua atrapada en la máquina.	Apretar el gatillo para liberar presión.
	<b>Si tiene más problemas con el motor consulte el manual del motor.</b>	
<b>LA UNIDAD NO LLEGA A LA ALTA PRESIÓN</b>	El diámetro de la manguera de jardín es demasiado pequeño.	Sustituir con una manguera de jardín con diámetro interno de 5/8 pulgadas o más.
	El suministro de agua está restringido.	Compruebe si la manguera de jardín tiene grietas, fugas o si está obstruida.
	El suministro de agua de entrada no es suficiente.	Abra el grifo de agua del todo. Compruebe si la manguera de jardín tiene grietas, fugas o si está obstruida.
	El filtro de entrada de agua está obstruido.	Quite el filtro y enjuáguelo en agua caliente.
	La boquilla de detergente negra está conectada.	Quitar la boquilla de detergente negra y colocar la boquilla para alta presión.
<b>LA PRESIÓN DE SALIDA VARÍA ENTRE ALTA Y BAJA PRESIÓN</b>	El suministro de agua de entrada no es suficiente.	Abra el grifo de agua del todo. Compruebe si la manguera de jardín tiene grietas, fugas o si está obstruida.
	La bomba está succionando aire.	Compruebe que las mangueras y conectores están bien apretados. Apague el aparato y purgue la bomba apretando la pistola de disparo hasta que salga un caudal constante de la boquilla.
	El filtro de entrada de agua está obstruido.	Remueva el filtro y enjuáguelo en agua caliente.
	La boquilla atomizadora está obstruida.	Limpie con aire comprimido o quite la suciedad con una aguja fina.
	Pistola, manguera o lanza calcificados.	Vierta vinagre destilado por el tubo de succión de detergente.
<b>NO SUCCIONA DETERGENTE</b>	El tubo de succión de detergente no está correctamente conectado al aparato.	Compruebe la conexión.
	Tubo de aspiración de detergente plegado.	Con la máquina y el agua apagadas, separe el tubo de succión para ayudar a desplegar y volver a conectar.

## LOCALIZACIÓN Y REPARACIÓN DE AVERÍAS

PROBLEMA	CAUSA	SOLUCIÓN
<b>NO SUCCIONA DETERGENTE</b>	El detergente está demasiado espeso.	Diluya el detergente. Para obtener mejores resultados utilice detergente Kärcher.
	El filtro del tubo de succión de detergente está obstruido.	Deje correr agua caliente por el filtro para quitar la suciedad.
	El tubo de succión de detergente está dañado u obstruido.	Quite la obstrucción o reemplace el tubo de succión de detergente.
	Está colocada una boquilla de alta presión.	Sustituir por una boquilla de detergente negra.
	La boquilla atomizadora está atascada.	Limpie con aire comprimido o quite la suciedad con una aguja fina.
<b>LA CONEXIÓN DE LA MANGUERA DE JARDÍN FUGA</b>	Las conexiones están sueltas.	Apriete las conexiones.
	No hay empaque de caucho o está desgastado.	Inserte un empaque nuevo.
<b>LA LANZA FUGA</b>	La lanza no está montado correctamente.	Girar la conexión giratoria de la pistola en el sentido de las agujas del reloj hasta ajustar la conexión.
	Anillo tórico o inserción de plástico rotos.	Llame a los números de teléfono de soporte enumerados en la sección de Servicio al cliente. Visite <a href="http://www.karcher-help.com">www.karcher-help.com</a> o localice un centro de servicio en <a href="http://www.karcher.com/us">www.karcher.com/us</a> o <a href="http://www.karcher.com/ca">www.karcher.com/ca</a> .
<b>LA BOMBA HACE RUIDO</b>	La bomba está succionando aire.	Compruebe que las mangueras y conectores están bien apretados. Apague el aparato y purgue la bomba apretando la pistola de disparo hasta que salga un caudal constante de la boquilla.
<b>FUGA AGUA DE LA BOMBA (HASTA 10 GOTAS POR MINUTO ES PERMISIBLE)</b>	Las conexiones están sueltas.	Compruebe las conexiones.
	Los empaques de agua están dañados o desgastados.	Visite <a href="http://www.karcher-help.com">www.karcher-help.com</a> o localice un centro de servicio en <a href="http://www.karcher.com/us">www.karcher.com/us</a> o <a href="http://www.karcher.com/ca">www.karcher.com/ca</a> .
	La válvula de protección térmica esta activada.	La válvula de protección térmica del dispositivo se reestablecerá automáticamente. No poner la bomba en funcionamiento durante más de 5 minutos sin activar la pistola.
<b>GOTEO DE ACEITE</b>	Los empaques de aceite están dañados o desgastados.	Visite <a href="http://www.karcher-help.com">www.karcher-help.com</a> o localice un centro de servicio en <a href="http://www.karcher.com/us">www.karcher.com/us</a> o <a href="http://www.karcher.com/ca">www.karcher.com/ca</a> .

Si la avería que usted esta experimentando no esta en la lista de arriba, o si las soluciones aportadas no resuelven su problema, por favor busque y contacte a servicio técnico en:

[www.karcher-help.com](http://www.karcher-help.com) or [www.karcher.com/ca/support/faqs.html](http://www.karcher.com/ca/support/faqs.html)

# Lavadoras de Alta Presión

## Garantía limitada de 3 años

# KÄRCHER

Este producto de Kärcher está garantizado contra defectos de fabricación y materiales en condiciones de uso normal.

La garantía específica se aplica a:

- Los motores Kärcher de las serie KPS y KXS tienen garantía de tres (3) años para repuestos y ser atendido en un centro de servicio de Kärcher.
- Los motores Honda de la serie GX tienen garantía de tres (3) años para repuestos y mano de obra y son reparados por un centro de servicio autorizado de Honda.
- Las bombas están garantizadas por tres (3) años de piezas y mano de obra y son atendidas por un Kärcher centro de servicio
- Los bastidores, las manijas y los tanques de detergente y otros componentes estructurales tienen una garantía de tres (3) años en piezas y mano de obra.
- **Los accesorios y complementos estándar están garantizados por un período de noventa (90) días.**
- **Cualquier uso comercial, industrial o de alquiler de este equipo ANULARÁ la garantía.**

Los accesorios y complementos estándar están garantizados por un período de noventa (90) días. Cualquier uso comercial, industrial o alquiler de este equipo reducirá la garantía a noventa (90) días. El período de garantía se calcula a partir de la fecha de compra por el usuario final y cubre el costo de piezas de repuesto / equipos y trabajo realizado bajo garantía. Con el fin de verificar una situación de garantía, la máquina deberá ser evaluada por un centro de servicio autorizado de Kärcher. Una copia del recibo de compra original o recibo de regalo del vendedor original también debe acompañar el reclamo de garantía. Para localizar el centro de servicio autorizado de Kärcher más cercano, visite nuestro sitio [www.karcher-help.com](http://www.karcher-help.com) o [www.karcher.com/ca/support/faqs.html](http://www.karcher.com/ca/support/faqs.html).

Su dispositivo debe estar registrado para poder ayudarlo con cualquier pregunta o problema que tenga. Puede registrar su dispositivo en [www.karcher-register.com](http://www.karcher-register.com).

La obligación de Kärcher bajo esta garantía será estrictamente limitada, a opción de Kärcher, ya sea a cambiar o reparar, directamente a través de Kärcher o a través de un distribuidor de servicio autorizado Kärcher sin cargo durante el periodo de garantía cualquier pieza, que en la opinión del fabricante, muestre defectos materiales o de mano de obra. El servicio se programará según el caudal normal de trabajo y el horario de atención del centro de servicio, y la disponibilidad de los repuestos. Todas las decisiones de Kärcher respecto de esta garantía limitada serán definitivas.

Esta garantía no cubre:

- Mercadería vendida como reacondicionada, usada, de demostración o de exhibición.
- Mercancía usada o reacondicionada comprada en eBay y otros sitios web de subastas en línea.
- Daños causados por mal uso, negligencia, accidente, abuso, manejo incorrecto, congelación, desgaste normal o incumplimiento del manual del operador.
- Daños causados por sedimentos de agua, suministro de agua contaminada o el uso de productos químicos y detergentes no aprobados o recomendados por Kärcher.
- Daños causados por desastres naturales tales como inundaciones, incendios, terremotos, rayos, etc.

## INFORMACIÓN DE GARANTÍA

- Dispositivos o accesorios no distribuidos o aprobados por Kärcher. Cualquier uso de los mencionados dispositivos o accesorios anulará la garantía implícita.
- Reparaciones realizadas por el usuario final o cualquier centro de servicio no autorizado por Kärcher. Cualquier alteración de los equipos o accesorios Kärcher anulará la garantía implícita.
- Los costos de envío incurridos por el cliente o el centro de servicio autorizado de la pieza o el equipo supuestamente defectuoso.

Esta garantía no es transferible y se aplica únicamente a los productos adquiridos a través de un distribuidor autorizado de Kärcher en los Estados Unidos y Canadá. Los equipos proporcionados, pero no fabricados por Kärcher, como los motores de gasolina Honda y Kohler, están sujetos a garantías y servicio a través de los centros de servicio de dicho fabricante de acuerdo con los términos y condiciones proporcionados por el fabricante del equipo original respectivo. Kärcher no está autorizado y no tiene la responsabilidad de proporcionar servicio de garantía para Honda. Esta garantía le otorga derechos legales específicos. Es posible que tenga otros derechos, que varían según el país y el estado/provincia.

**Por favor, regístrese en línea en [www.karcher-register.com](http://www.karcher-register.com)  
El registro en línea es rápido, gratuito y le proporciona un  
mensaje de confirmación para sus archivos.**



# THANK YOU!

## MERCI! ¡GRACIAS! DANKE!



Register your product and benefit from many advantages.

Enregistrez votre produit et bénéficiez de nombreux avantages.

Registre su producto y aproveche de muchas ventajas.

Registrieren Sie Ihr Produkt und Sie von vielen Vorteilen.

[www.kaercher.com/welcome](http://www.kaercher.com/welcome)



Rate your product and tell us your opinion.

Évaluez votre produit et donnez-nous votre opinion.

Reseña su producto y díganos su opinión.

Bewerten Sie Ihr Produkt und sagen Sie uns Ihre Meinung.

[www.kaercher.com/dealersearch](http://www.kaercher.com/dealersearch)

**Kärcher North America Inc.,**

6398 N. Kärcher Way

Aurora, CO 80019

Tel: 1-800-537-4129

**Kärcher Canada Inc.,**

275 Pendant Drive, Mississauga, Ontario

L5T 2S9

Tel: +1-800-465-4980

