

# **Spare Parts List**

**(1.004-026.0, 1.004-027.0, 1.004-014.0, 1.004-015.0)**

## **Air Mover 115V**

From Serial Number (Ref No1\*)

\*See Serial Number Page  
or call manufacturer

## *How to Use this Spare Parts List*

---

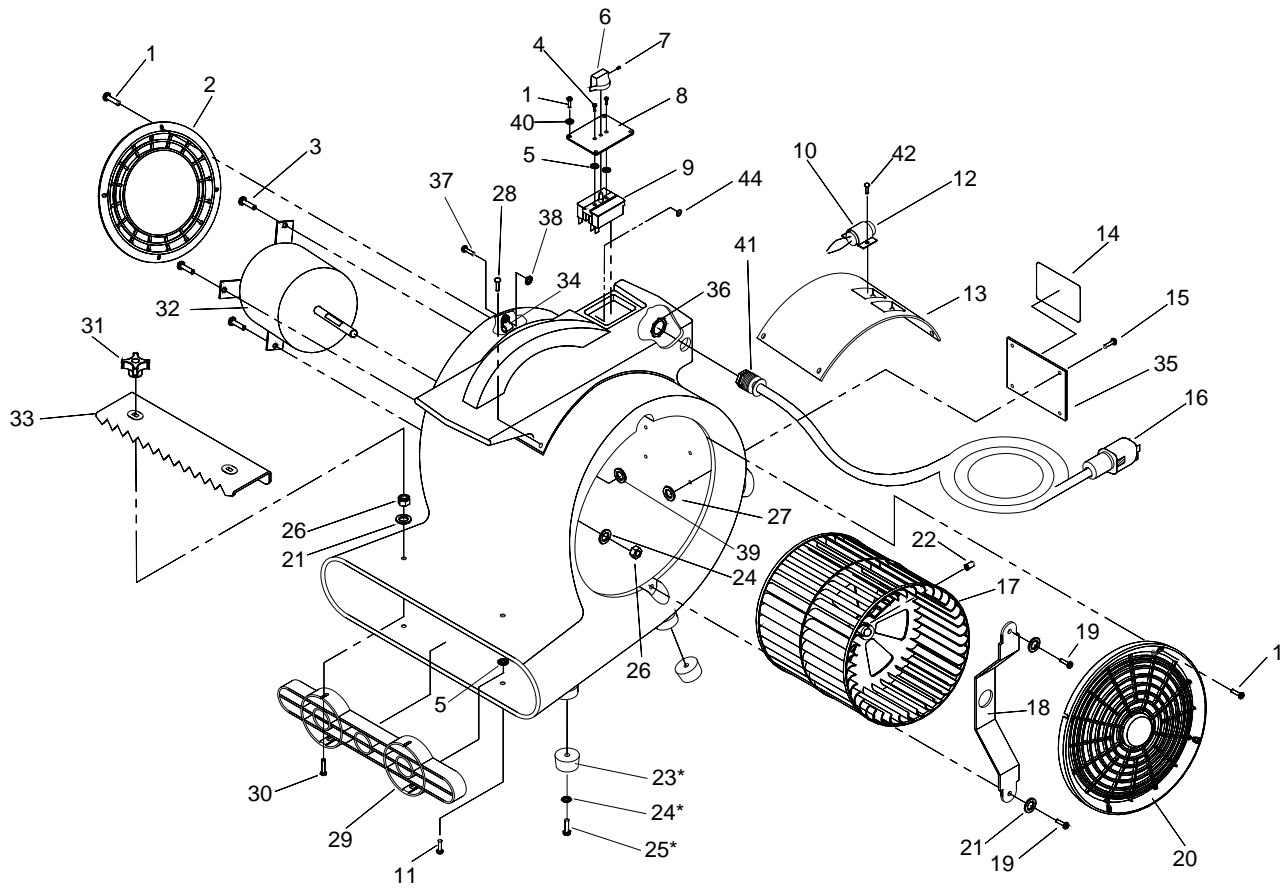
The PARTS LIST section contains assembled parts illustrations and corresponding parts list. The parts lists include a number of columns of information:

- REF - column refers to the reference number on the parts illustration.
- PART NO. - column lists the part number for the part.
- QTY - column lists the quantity of the part used in that area of the machine.
- DESCRIPTION - column is a brief description of the part.
- SERIAL NO. FROM - If this column has an (\*) and a Reference number, see the SERIAL NUMBERS page in the back of your manual. If column has two asterisk (\*\*), call manufacturer for serial number. The serial number indicates the first machine the part number is applicable to. The main illustration shows the most current design of the machine. When a boxed illustration is shown, it displays the older design.
- NOTES - column for information not noted by the other columns.

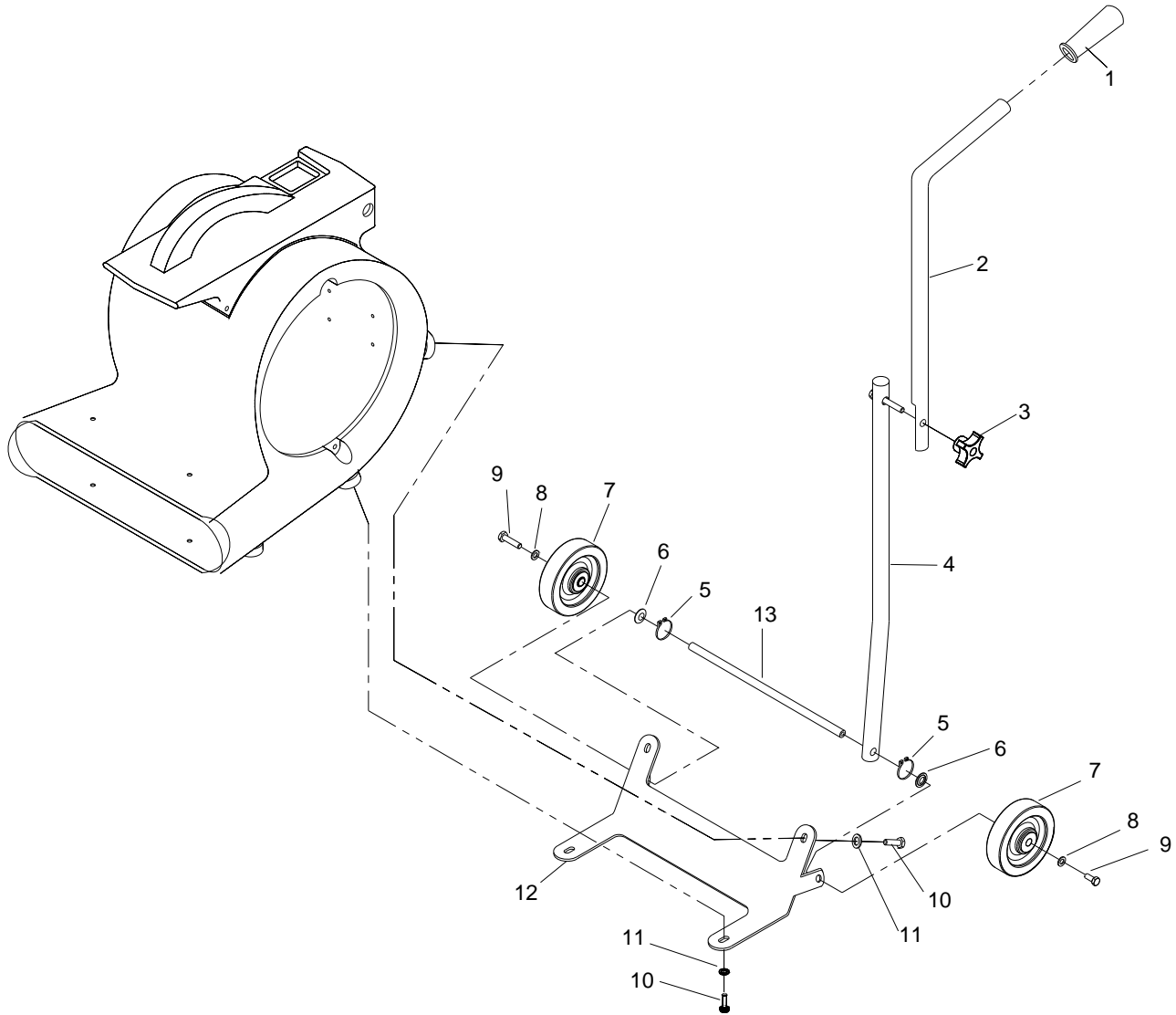
**NOTE:** *If a service or option kit is installed on your machine, be sure to keep the KIT INSTRUCTIONS which came with the kit. It contains replacement parts numbers needed for ordering future parts.*

**How to Use this Spare Parts List** . . . . . **2**  
**Table of Contents** . . . . . **3**  
Air Blower Body Assembly . . . . . 4  
Air Blower Handle . . . . . 6  
Wiring Diagram . . . . . 8  
Serial Numbers . . . . . 9

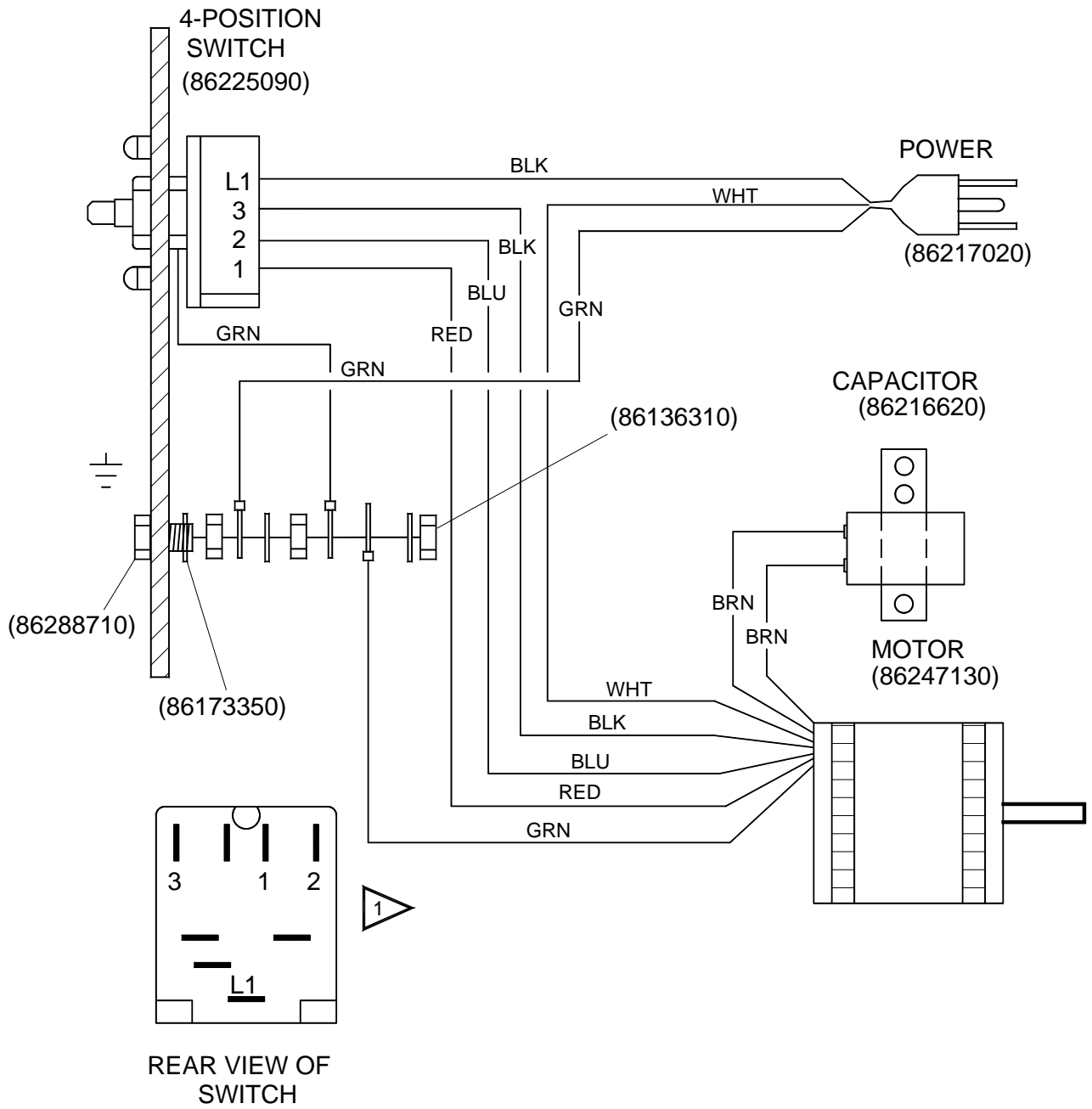
# Air Blower Body Assembly



REF	PART NO.	QTY	DESCRIPTION	SERIAL NO. FROM	NOTES:
1	86136750	8	SCR, M4 X 15MM PH SHEET METAL		
2	86214700	1	GUARD, 9" AB		
3	86136770	2	SCR, M6-1 X 16MM FHMS BLK		
4	86136630	2	SCR, 8-32 X 1/4 PPHMS BLK		
5	86137390	7	WASHER, M4 RIVET BACKUP		
6	86219700	1	KNOB, SWITCH AB		
7	86136840	1	SET SCR, M3 X 8MM X .5		
8	86223040	1	PLATE, SWITCH AB		
9	86225090	1	SWITCH, 3 SPEED ROTARY		
10	86288700	1	CLAMP, CAPACITOR		
11	86136540	2	RIVET, M4 X 14MM		
12	86216620	1	CAPACITOR		
13	86223050	1	PLATE, INNER AB		
14	86245090	1	LABEL, WARNING		
15	86136550	4	RIVET, M3 X 12MM		
16	86217020	1	CORD, 14X3 SJT, AB		
17	86217840	1	FAN, SQUIRREL CAGE		
18	86215760	1	BRKT, MOTOR SHAFT AB		
19	86136740	2	SCR, M6-1 X 15 PPHMS PLTD BLK		
20	86214690	1	GUARD, 10" AB		
21	86137340	4	WASHER, M6 FLAT BLK		
22	86136830	1	SET SCR, M8 X 8MM CUP POINT		
23	86217910	4	FOOT BLOWER		*FOR MODEL W/O HANDLE
24	86225730	8	WASHER, M6 FLAT		*FOR MODEL W/O HANDLE
25	86136760	4	SCR, M6-1 X 19MM PPHMS		*FOR MODEL W/O HANDLE
26	86271550	6	NUT, M6X1 HEX NYLOCK PLTD		
27	86225850	4	WASHER, M3, FL, ISO 7089, SST		
28	86296660	4	RIVET, M4 X 18MM		
29	86218420	1	GUARD, FRONT AB		
30	86136730	2	SCR, M6-1 X 40MM		
31	86219710	2	KNOB, CARPET CLAMP		
32	86247130	1	MOTOR, 115V 3SPD 1/2 HP		
33	86216760	1	CLAMP, CARPET		
34	86198450	1	CLAMP, 5/16 NYLON		
35	86079800	1	PLATE, WARNING LABEL		
36	86137370	1	WASHER, M18 STAR		
37	86136560	1	RIVET, M5 X 20		
38	86288680	1	WASHER, M5 RIVET BACKUP		
39	86137360	4	WASHER, M4 RIVET BACKUP		
40	86225750	4	WASHER, M4 INT STAR BLK ZNC PLT		
41	86224930	1	STRAINER RELIEF, 14/3 STRAIGHT		
42	86296650	2	RIVET, M4 X 10MM		
43	86372180	4	SCREW, M4-.7 X 10 PNHSMS, BLK		
44	86245040	1	LABEL, GROUND SYMBOL		



REF	PART NO.	QTY	DESCRIPTION	SERIAL NO. FROM	NOTES:
1	86004070	1	GRIP, POLISHER HANDLE		
2	86292520	1	TUBE, HANDLE UPPER LONG		
3	86219720	1	KNOB, HANDLE LOCK		
4	86225400	1	TUBE, HANDLE LOWER		
5	86223500	2	RING, 13MM EXTERNAL SNAP		
6	86222270	2	NUT, PUSH FLAT RD .51ID		
7	86226020	2	WHEEL, 5D X 1.25 X 13MM ID GRY		
8	86137280	2	WASHER, M8 FLAT DIN125A PLT		
9	86136640	2	SCR, M8 X 20 HHMS PLTD		
10	86136760	2	SCR, M6 X 1 HEX NYLOCK PLTD		
11	86137380	2	WASHER, 20MM OD		
12	86215490	1	BRACKET, WHEEL, BLOWER		
13	86214960	1	AXLE, WHEEL, BLOWER		





---

REF. NO.	MODEL: SERIAL #
1	**