



BX

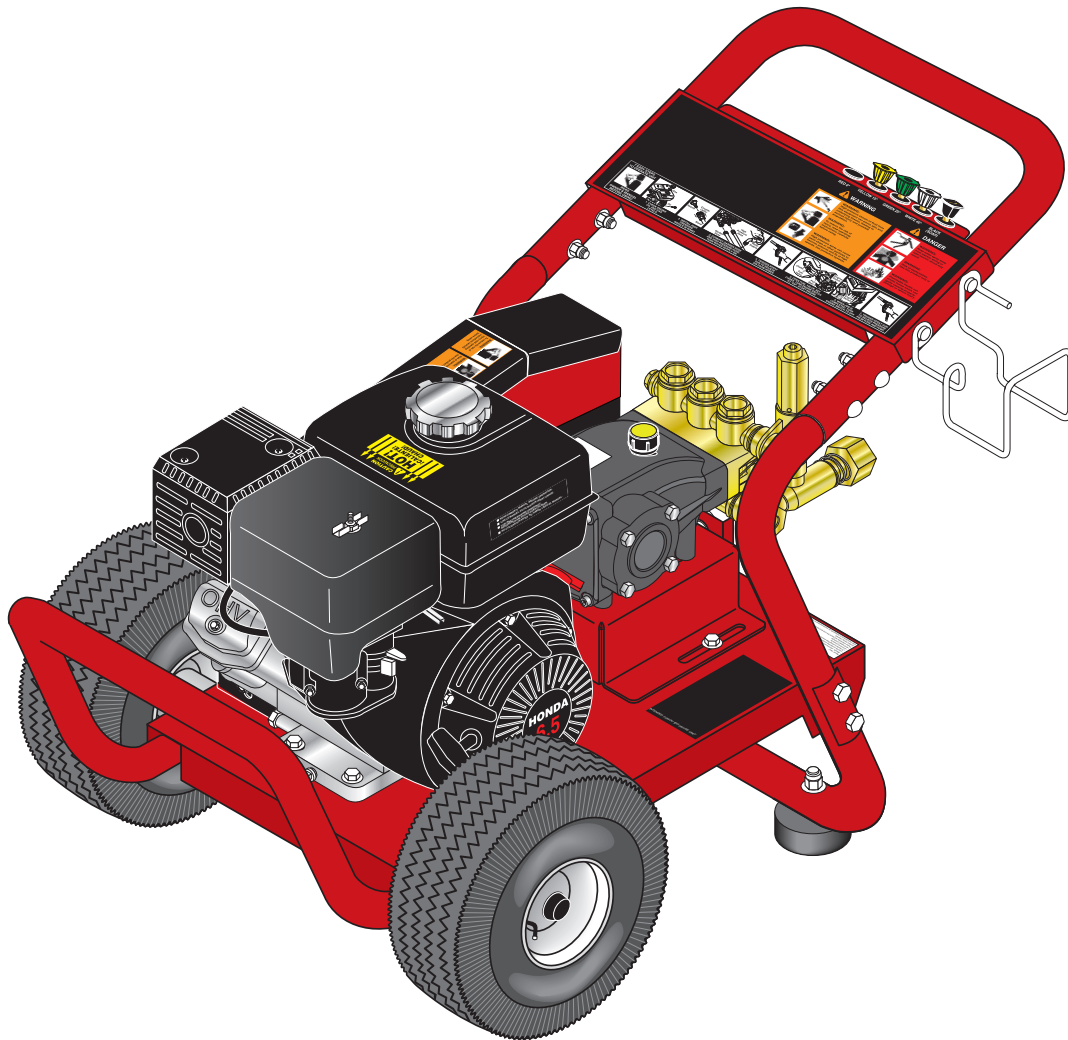
OPERATOR'S MANUAL

■ BX-2527

■ BX-2820

■ BX-3030

■ BX-3735



For technical assistance or the dealer nearest you consult
our web page at www.hotsy.com

8.914-441.0 - C (08/21)

CONTENTS

Introduction & Important Safety Information	3-4
Component Identification	5
Assembly Instructions.....	6
Operating Instructions.....	7-8
Detergents & Cleaning Techniques.....	9
Shut Down and Clean-Up	10
Storage	10
Troubleshooting	11-12
Preventative Maintenance	13
Oil Change Record	13
Models 2527, 2820 Exploded View.....	14
Models 2527, 2820 Exploded View Parts List.....	15
Models 3030, 3735 Exploded View.....	16
Models 3030, 3735 Exploded View Parts List.....	17
Specifications.....	18-19
HB Series Pump Exploded View & Parts List	20-21
HM.3 Series Pump Exploded View & Parts List.....	22-23
VBT Banjo Unloader Exploded View & Parts List.....	24
UU1 Unloader Exploded View & Parts List.....	25
Hose, Gun and Wand Assembly and Parts List.....	26

Model Number _____

Serial Number _____

Date of Purchase _____

The model and serial numbers will be found on a decal attached to the pressure washer. You should record both serial number and date of purchase and keep in a safe place for future reference.

INTRODUCTION & IMPORTANT SAFETY INFORMATION

Thank you for purchasing this Pressure Washer. We reserve the right to make changes at any time without incurring any obligation.

Owner/User Responsibility:

The owner and/or user must have an understanding of the manufacturer's operating instructions and warnings before using this pressure washer. Warning information should be emphasized and understood. If the operator is not fluent in English, the manufacturer's instructions and warnings shall be read to and discussed with the operator in the operator's native language by the purchaser/owner, making sure that the operator comprehends its contents.

Owner and/or user must study and maintain for future reference the manufacturers' instructions.

The operator must know how to stop the machine quickly and understand the operation of all controls. Never permit anyone to operate the engine without proper instructions.

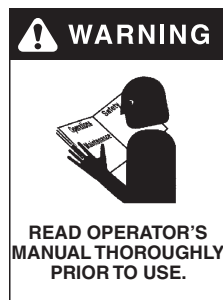
SAVE THESE INSTRUCTIONS

This manual should be considered a permanent part of the machine and should remain with it if machine is resold.

When ordering parts, please specify model and serial number. Use only identical replacement parts.

This machine is to be used only by trained operators.

IMPORTANT SAFETY INFORMATION



WARNING: To reduce the risk of injury, read operating instructions carefully before using.

1. Read the owner's manual thoroughly. Failure to follow instructions could cause malfunction of the machine and result in death, serious bodily injury and/or property damage.
2. Know how to stop the machine and bleed pressure quickly. Be thoroughly familiar with the controls.
3. Stay alert — watch what you are doing.
4. All installations must comply with local codes. Contact your electrician, plumber, utility company or the selling distributor for specific details.



WARNING: Risk of asphyxiation. Use this product only in a well ventilated area.

5. Avoid installing machines in small areas or near exhaust fans. Exhaust contains poisonous carbon monoxide gas; exposure may cause loss of consciousness and may lead to death. It also contains chemicals known, in certain quantities, to cause cancer, birth defects or other reproductive harm.



WARNING: Risk of fire. Do not add fuel when the product is operating.

WARNING: Risk of explosion — do not spray flammable liquids.

6. Do not place machine near flammable objects as the engine is hot.

WARNING: This product contains chemicals known to the state of California to cause cancer and birth defects or other reproductive harm. Operation of this equipment may create sparks that can start fires around dry vegetation. A spark arrestor may be required. The operator should contact: Local fire agencies for laws or regulations relating to fire prevention requirements.

7. Allow engine to cool for 1-2 minutes before refueling. If any fuel is spilled, make sure the area is dry before testing the spark plug or starting the engine. (Fire and/or explosion may occur if this is not done.) Gasoline engines on mobile or portable equipment shall be refueled:
 - a. outdoors;
 - b. with the engine on the equipment stopped;
 - c. with no source of ignition within 10 feet of the dispensing point; and
 - d. with an allowance made for expansion of the fuel should the equipment be exposed to a higher ambient temperature.

In an overfilling situation, additional precautions are necessary to ensure that the situation is handled in a safe manner.

WARNING: Risk of injury. Disconnect battery ground terminal before servicing.

8. Transport/repair with fuel tank EMPTY or with fuel shut-off valve OFF.

IMPORTANT SAFETY INFORMATION

WARNING



KEEP WATER SPRAY AWAY FROM ELECTRICAL WIRING.

WARNING: Keep wand, hose, and water spray away from electric wiring or fatal electric shock may result.

9. Do not spray water on or near electrical components.

WARNING



RISK OF EXPLOSION: DO NOT SPRAY FLAMMABLE LIQUIDS.

WARNING: Flammable liquids can create fumes which can ignite, causing property damage or severe injury.

WARNING: Risk of explosion — Do not spray flammable liquids.

10. Keep operating area clear of all persons.

WARNING



EAR PROTECTION MUST BE WORN

WARNING: This machine exceeds 85 db appropriate ear protection must be worn.

WARNING

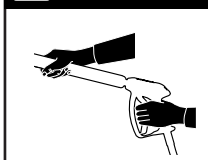


USE PROTECTIVE EYE WEAR AND CLOTHING WHEN OPERATING THIS EQUIPMENT.

WARNING: High pressure spray can cause paint chips or other particles to become airborne and fly at high speeds. To avoid personal injury, eye, hand and foot safety devices must be worn.

11. Eye, hand, and foot protection must be worn when using this equipment.

WARNING



TRIGGER GUN KICKS BACK - HOLD WITH BOTH HANDS

WARNING: Grip cleaning wand securely with both hands before starting. Failure to do this could result in injury from a whipping wand.

12. To reduce the risk of injury, close supervision is necessary when a machine is used near children. Do not allow children

to operate the pressure washer. **This machine must be attended during operation.**

WARNING



RISK OF INJECTION OR SEVERE INJURY TO PERSONS. KEEP CLEAR OF NOZZLE.

WARNING: High pressure developed by these machines will cause personal injury or equipment damage. Keep clear of nozzle. Use caution when operating. Do not direct discharge stream at people, or severe injury or death will result.

13. Never make adjustments on machine while in operation.
14. Be certain all quick coupler fittings are secured before using pressure washer.

WARNING



PROTECT FROM FREEZING

WARNING: Protect machine from freezing.

15. To keep machine in best operating conditions, it is important you protect machine from freezing. Failure to protect machine from freezing could cause malfunction of the machine and result in death,

serious bodily injury, and/or property damage. Follow storage instructions specified in this manual.

16. The best insurance against an accident is precaution and knowledge of the machine.

WARNING



RISK OF INJURY FROM FALLS WHEN USING LADDER.

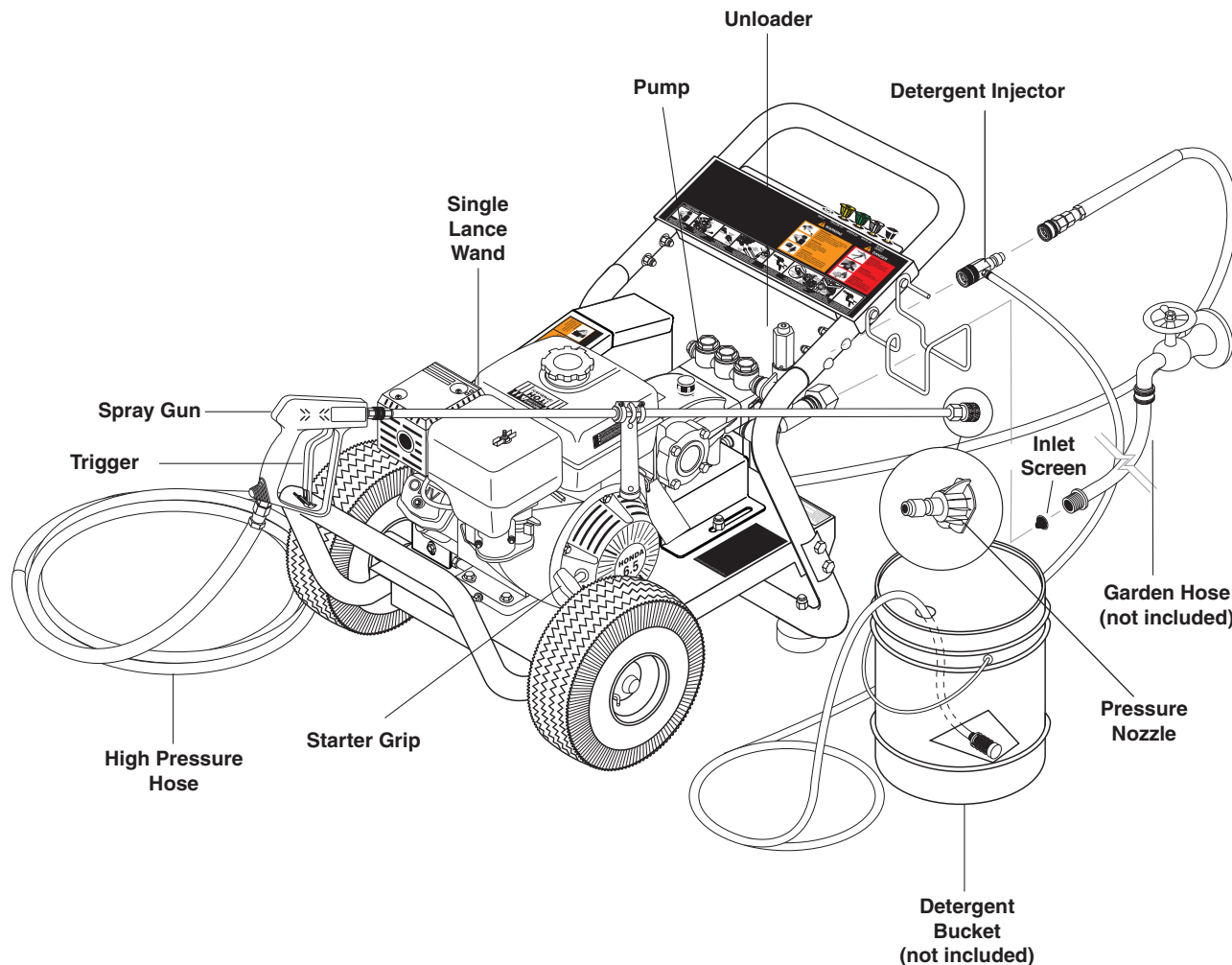
WARNING: Be extremely careful when using a ladder, scaffolding or any other relatively unstable location. The cleaning area should have adequate slopes and drainage to reduce the possibility of a fall due to slippery surfaces.

17. Do not overreach or stand on unstable support. Keep good footing and balance at all times.
18. Do not operate this machine when fatigued or under the influence of alcohol, prescription medications, or drugs.
19. Inlet water must be clean fresh water and no hotter than 90°F.
20. Manufacturer will not be liable for any changes made to our standard machines or any components not purchased from us.
21. Do not allow acids, caustic or abrasive fluids to pass through the pump.
22. Never run pump dry or leave spray gun closed longer than 1-2 minutes.



Follow the maintenance instructions specified in the manual.

COMPONENT IDENTIFICATION



Pump — Develops high pressure.

Starter Grip— Used for starting the engine manually.

Spray Gun — Controls the application of water and detergent onto cleaning surface with trigger device. Includes safety latch.

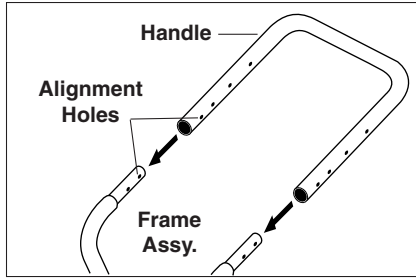
Detergent Injector — Allows you to siphon and mix detergents.

Wand — Must be connected to the spray gun.

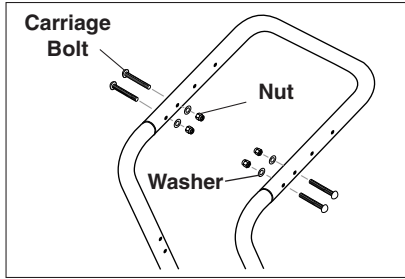
High Pressure Hose — Connect one end to water pump discharge nipple and the other end to spray gun.

Note: If trigger on spray gun is released for more than 1-2 minutes, water may leak from valve. Warm water will discharge from pump protector onto floor. This system prevents internal pump damage.

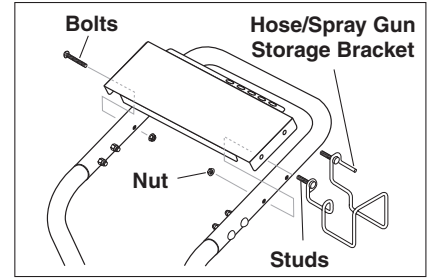
ASSEMBLY INSTRUCTIONS



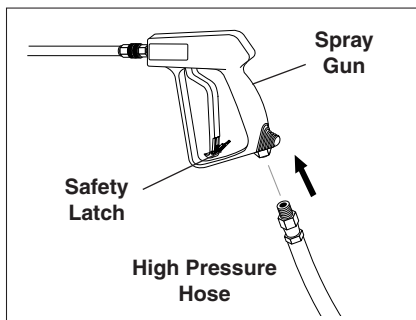
STEP 1: Attach the handle to the frame of the pressure washer. **Note:** It may be necessary to move the handle supports from side to side in order to align the handle so it will slide over the frame supports.



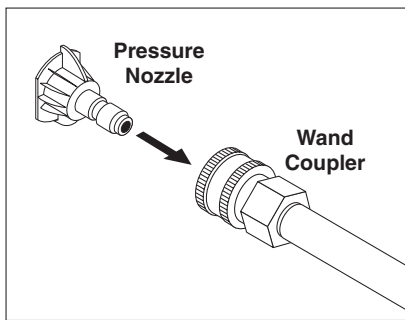
STEP 2: Insert the carriage bolt through the holes from the outside of the unit and attach a nut from the inside of the machine. Tighten nuts.



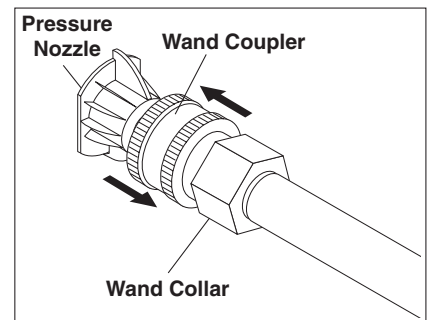
STEP 3: Attach the spray gun/hose storage handle, and bracket to handle. Tighten nuts.



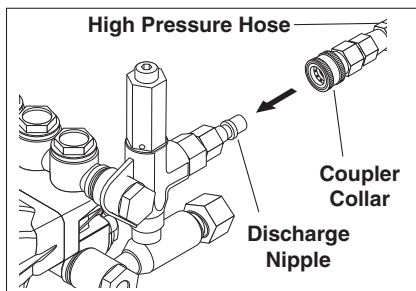
STEP 4: Attach the high pressure hose to the spray gun using teflon tape on hose threads.



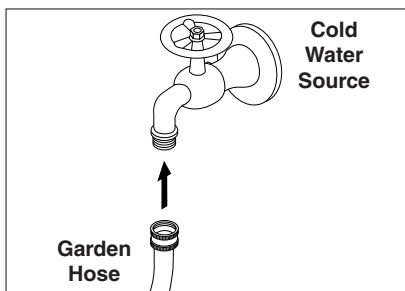
STEP 5: Pull the spring-loaded collar of the wand coupler back to insert your choice of pressure nozzle.



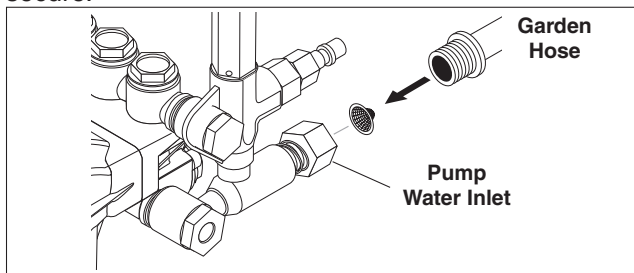
STEP 6: Release the coupler collar and push the nozzle until the collar clicks. Pull the nozzle to make sure it is seated properly.



STEP 7: Connect high pressure hose to pumps discharge nipple. Push coupler collar forward until secure.

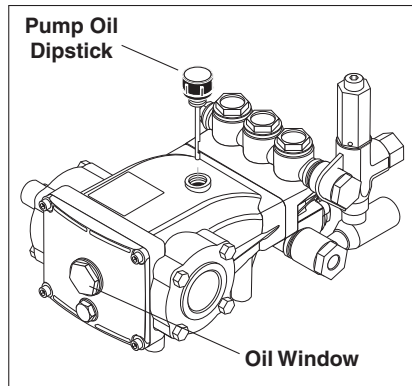
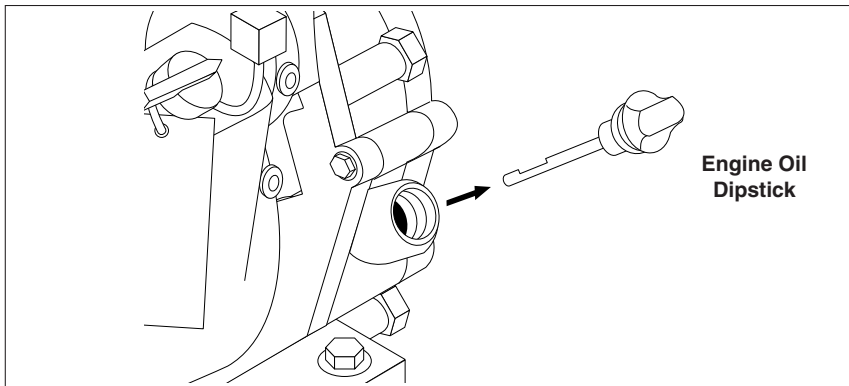


STEP 8: Connect garden hose to the cold water source.



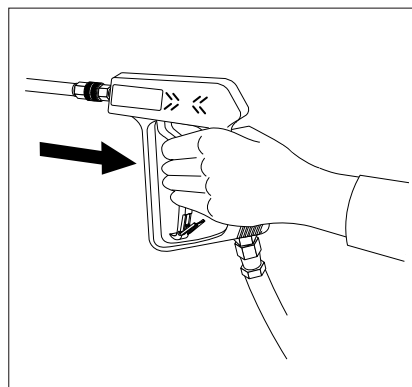
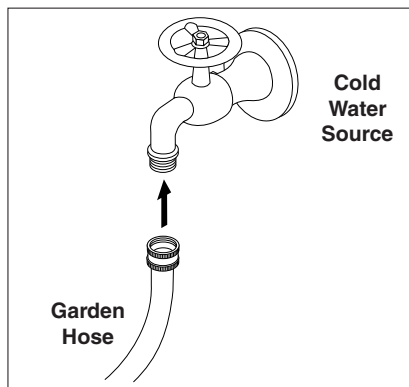
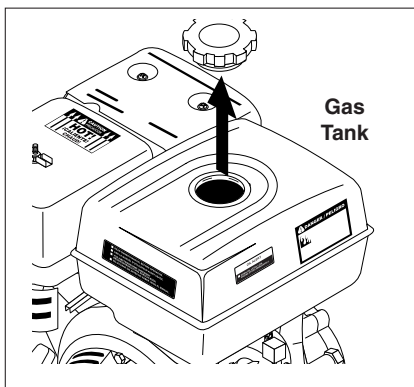
STEP 9: Connect the garden hose to pump water inlet. Inspect inlets. **CAUTION: Do not run the pump without water or pump damage will result.**

OPERATING INSTRUCTIONS



STEP 1: Check engine oil level. Oil level should be level with the bottom of the oil filler neck. Be sure the machine is level when checking the oil level. (Refer to the engine's operating manual included with machine.) We recommend that the oil be changed after the first 5 hours of use, then once every 50 hours. **Note:** Improper oil levels will cause low oil sensor to shut off engine. **IMPORTANT! Do not run engine with high or low oil levels as this will cause engine damage.**

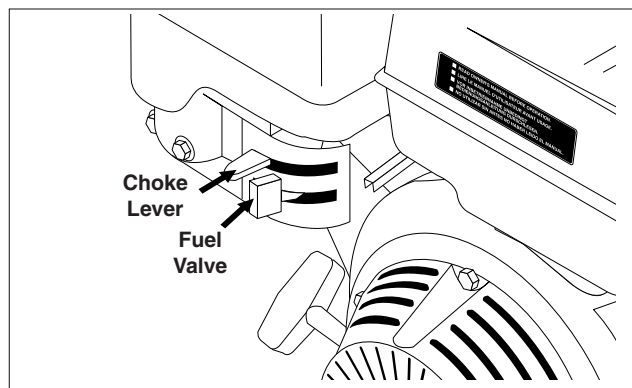
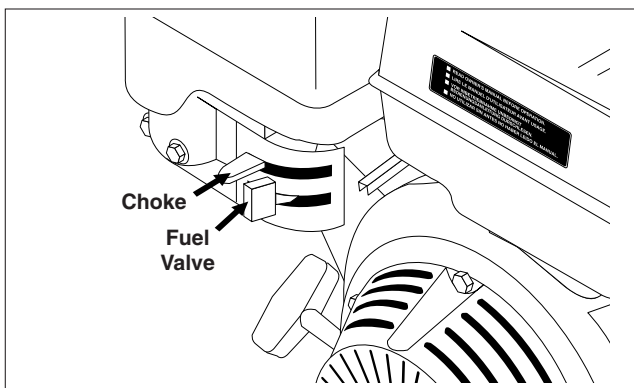
STEP 2: Remove shipping cap and install oil dipstick. Check pump oil level by using dipstick or observe oil level in oil window (if equipped). Use 30 wt. (non detergent) oil.



STEP 3: Fill gas tank with unleaded gasoline. Do not use leaded gasoline.

STEP 4: Connect garden hose to the cold water source and turn water on completely. Never use hot water.

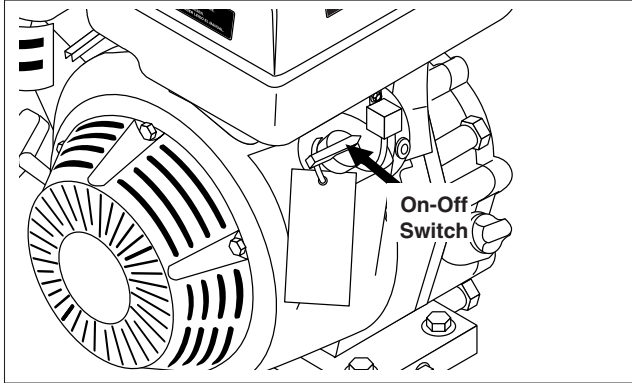
STEP 5: Trigger the spray gun to eliminate trapped air then wait for a steady flow of water to emerge from the spray nozzle.



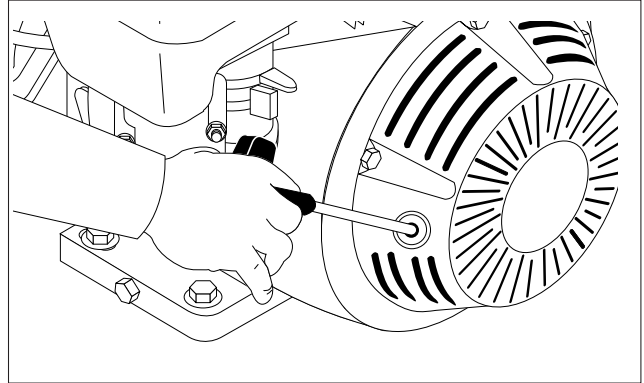
STEP 6: Rotate the fuel shut-off valve to the "On" position. Slide the fuel valve lever to the "ON" position. When the engine is not in use, leave the fuel valve in the "OFF" position.

STEP 7: Move the choke lever to the "Choke" position (on a warm engine, leave the choke lever in the run position). Move the choke lever to the "Closed" position. To restart a warm engine, leave the choke lever in the "Open" position.

OPERATING INSTRUCTIONS (CONT.)

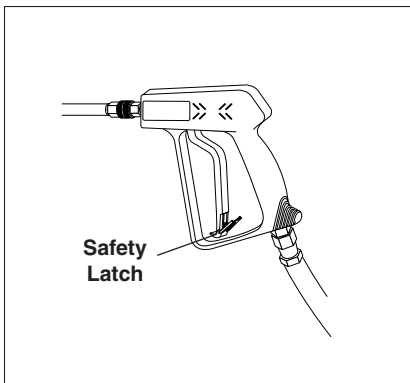


STEP 8: Turn the engine switch to "On" position. On Briggs engines, move the throttle lever to "Fast" position, shown on engine as a rabbit.



STEP 9: Pull the starter grip. If the engine fails to start after 2 pulls, squeeze the trigger gun to release pressure and repeat step. Return starter gently. After the engine warms up enough to run smoothly, move choke to run position and throttle to fast position.

CAUTION: Small engines may kick back. Do not hold pull starter grip tightly in hand.



WARNING! Never replace nozzles without engaging the safety latch on the spray gun trigger.



The four color-coded quick connect nozzles provide a wide array of spray widths from 15° to 45° and are easily accessible when placed in the convenient rubber nozzle holder, which is provided on the front of the machine.

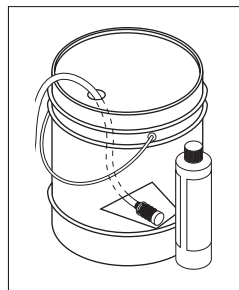
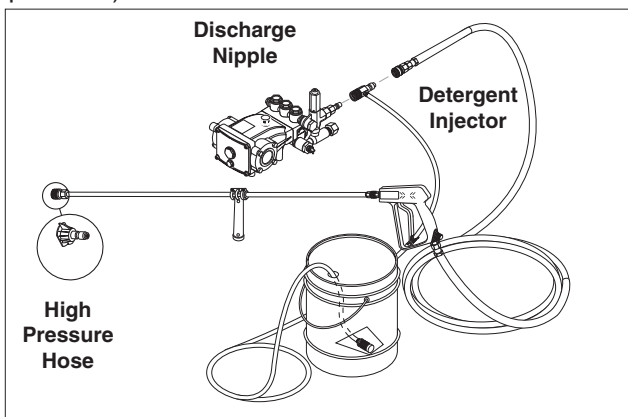
NOTE: For a more gentle rinse, select the white 40° or green 25° nozzle. To scour the surface, select the yellow 15° nozzle. To apply detergent select the black nozzle.

DETERGENTS & GENERAL CLEANING TECHNIQUES



WARNING: Some detergents may be harmful if inhaled or ingested, causing severe nausea, fainting or poisoning. The harmful elements may cause property damage or severe injury.

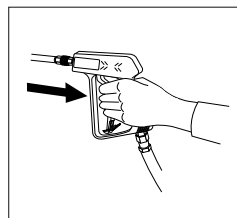
STEP 1: Connect detergent injector to discharge nipple on machine. Connect high pressure hose to injector with quick coupler. (Check to make sure locking coupler sleeves are in proper position before applying water pressure).



STEP 2: Use detergent designed specifically for pressure washers. Prepare detergent solution as required by the manufacturer. Fill a container with pressure washer detergent. Place the filter end of detergent suction tube into the detergent container.

STEP 3: With safety latch on spray gun engaged, secure black detergent nozzle into quick coupler.

NOTE: Detergent cannot be applied using yellow, green or white nozzles.



STEP 4: With the engine running, pull trigger to operate machine. Liquid detergent is drawn into the machine and mixed with water. Apply detergent to work area. Do not allow detergent to dry on surface.

IMPORTANT: You must flush the detergent injection system after each use by placing the suction tube into a bucket of clean water, then run the pressure washer in low pressure for 1-2 minutes.

THERMAL PUMP PROTECTION

If you run the engine on your pressure washer for 1-2 minutes without pressing the trigger on the spray gun, circulating water in the pump can reach high temperatures. When the water reaches this temperature, the pump protector engages and cools the pump by discharging the warm water onto the ground. This thermal device prevents internal damage to the pump.

CLEANING TIPS

Pre-rinse cleaning surface with fresh water. Place detergent suction tube directly into cleaning solution and apply to surface at low pressure (for best results, limit your work area to sections approximately 6 feet square and always apply detergent from bottom to top). Allow detergent to remain on surface 1-3 minutes. Do not allow detergent to dry on surface. If surface appears to be drying, simply wet down surface with fresh water. If needed, use brush to remove stubborn dirt. Rinse at high pressure from top to bottom in an even sweeping motion keeping the spray nozzle approximately 1 foot from cleaning surface. Use overlapping strokes as you clean and rinse any surface. For best surface cleaning action spray at a slight angle.

Recommendations:

- Before cleaning any surface, an inconspicuous area should be cleaned to test spray pattern and distance for maximum cleaning results.
- If painted surfaces are peeling or chipping, use extreme caution as pressure washer may remove the loose paint from the surface.
- Keep the spray nozzle a safe distance from the surface you plan to clean. High pressure wash a small area, then check the surface for damage. If no damage is found, continue pressure washing.

CAUTION - Never use:

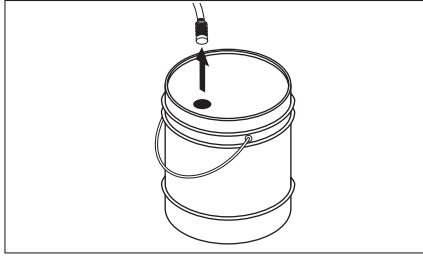
- Bleach, chlorine and other corrosive chemicals
- Liquids containing solvents (i.e., paint thinner, gasoline, oils)
- Tri-sodium phosphate products
- Ammonia products
- Acid-based products

These chemicals will harm the machine and will damage the surface being cleaned.

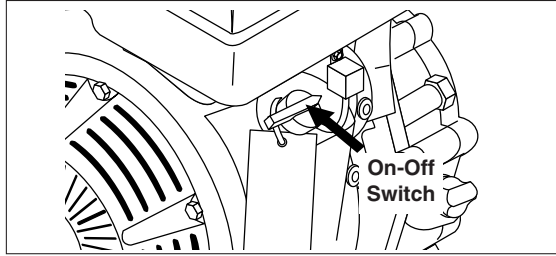
RINSING

It will take a few seconds for the detergent to clear. Apply safety latch to spray gun. Remove black soap nozzle from the quick coupler. Select and install the desired high pressure nozzle. **NOTE:** You can also stop detergent from flowing by simply removing the detergent siphon tube from bottle.

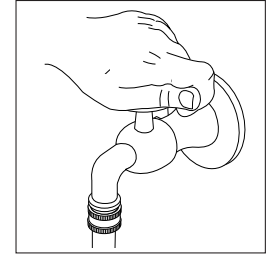
SHUTTING DOWN AND CLEAN-UP



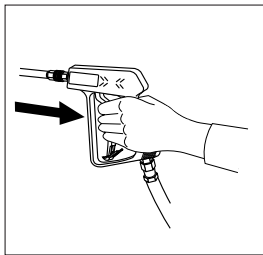
STEP 1: Remove detergent suction tube from container and insert into one gallon of fresh water. Slide nozzle forward for low pressure or to connect black detergent nozzle. Pull trigger on spray gun and siphon water for one minute.



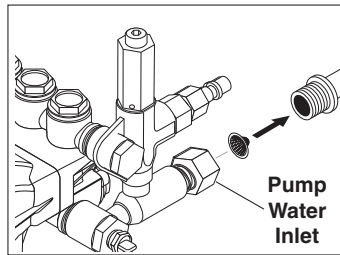
STEP 2: Turn off the engine.



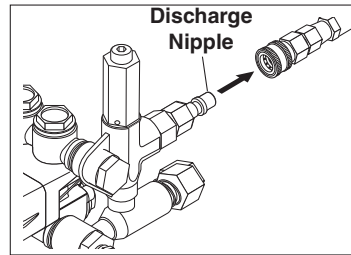
STEP 3: Turn off water supply.



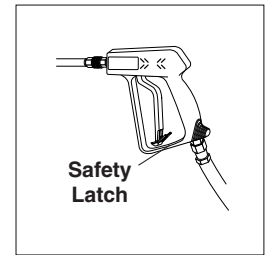
STEP 4: Press trigger to release water pressure.



STEP 5: Disconnect the garden hose from the water inlet on the machine.



STEP 6: Disconnect the high pressure hose from discharge nipple.



STEP 7: Engage the spray gun safety lock.

STORAGE

CAUTION: Always store your pressure washer in a location where the temperature will not fall below 32°F (0°C). The pump in this machine is susceptible to permanent damage if frozen. FREEZE DAMAGE IS NOT COVERED BY WARRANTY.

1. Stop the pressure washer, squeeze spray gun trigger to release pressure.
2. Detach water supply hose and high pressure hose.
3. Turn on the machine for a few seconds, until remaining water exits. Turn engine off immediately.
4. Drain the gas and oil from the engine.
5. Do not allow high pressure hose to become kinked.
6. Store the machine and accessories in a room which does not reach freezing temperatures.

CAUTION: Failure to follow the above directions will result in damage to your pressure washer.

When the pressure washer is not being operated or is being stored for more than one month, follow these instructions:

1. Replenish engine oil to upper level.
2. Drain gasoline from fuel tank, fuel line, fuel valve and carburetor.
3. Pour about one teaspoon of engine oil through the spark plug hole, pull the starter grip several times and replace the plug. Then pull the starter grip slowly until you feel increased pressure which indicates the piston is on its compression stroke and

leave it in that position. This closes both the intake and exhaust valves to prevent rusting of cylinder.

4. Cover the pressure washer and store in a clean, dry place that is well ventilated away from open flame or sparks. **NOTE:** The use of a fuel additive, such as STA-BIL®, or an equivalent, will minimize the formulation of fuel deposits during shortage. Such additives may be added to the gasoline in the fuel tank of the engine, or to the gasoline in a storage container.

After Extended Storage

CAUTION: Prior to restarting, thaw out any possible ice from pressure washer hoses, spray gun or wand.

Engine Maintenance

During the winter months, rare atmospheric conditions may develop which will cause an icing condition in the carburetor. If this develops, the engine may run rough, lose power and may stall. This temporary condition can be overcome by deflecting some of the hot air from the engine over the carburetor area. **NOTE:** Refer to the engine manufacturer's manual for service and maintenance of the engine.

TROUBLESHOOTING

PROBLEM	POSSIBLE CAUSE	SOLUTION
LOW OPERATING PRESSURE	Insufficient water supply. Closed faucet	Use larger garden hose; clean inlet water screen. Open faucet.
	Old, worn or incorrect spray nozzle	Match nozzle number to machine and/or replace with new nozzle.
	Plumbing or hose leak	Check plumbing system for leaks. Re-tape leaks with teflon tape.
	Faulty or mis-adjusted unloader valve	Adjust unloader for proper pressure. Install repair kit when needed. Contact local dealer.
	Worn packing in pump	Replace packing.
	Machine has been stored in freezing temperatures	Thaw out machine completely, including hose, spray gun and wand.
	Slow engine RPM	Contact local dealer.
FLUCTUATING PRESSURE	Worn pump valves	Replace valves.
	Dirt in pump valves	Clean and inspect valves.
	Pump sucking air	Check all pump lines and connections.
PRESSURE LOW AFTER PERIOD OF NORMAL USE	Nozzle worn	Replace nozzle.
	Unloader valve worn	Replace unloader valve.
ENGINE WILL NOT START OR STOPS WHILE OPERATING	Low oil shutdown	Fill engine with oil.
ENGINE IS OVERLOADED	Nozzle partially blocked	Clean nozzle.
	Excessive pressure from high engine RPM	Adjust engine throttle to lower RPM.
WATER OR OIL LEAKING FROM BOTTOM OF PUMP	A small amount of leaking is normal	If excessive leaking occurs, Contact local dealer.
PRESSURE INCREASES WHEN SPRAY GUN IS CLOSED	Unloader valve not operating properly	Contact local dealer.
PRESENCE OF WATER IN PUMP OIL	Water sprayed at machine	Change oil. Direct spray away from machine.
	High humidity in air	Check and change oil twice as often.
	Piston packing worn. Oil seal worn	Replace packings and oil seals.
OIL SQUIRTS OUT OF OIL CAP ON PUMP	Pump over filled with oil	Maintain oil level at red dot on sight glass at rear of pump or at top of notch on dipstick.

TROUBLESHOOTING

PROBLEM	POSSIBLE CAUSE	SOLUTION
ENGINE OPERATES FOR 15 MIN. THEN STOPS	Not enough gas or engine oil	Fill tank with gas. Check oil level.
	Vapor lock developed by heat of day	Keep gas tank full to avoid vapor locking.
	Obstruction in fuel filter	Clean or replace fuel filter.
WATER DRIPPING FROM UNDER PUMP	Piston packing worn	Replace packing.
	O-Ring plunger retainer worn	Replace retainer.
	Cracked piston	Replace piston.
OIL DRIPPING	Oil seal worn	Replace oil seal.
WATER LEAKING FROM PUMP PROTECTOR	Spray gun closed with machine running 2 minutes or longer	Open spray gun or turn off machine.
	Excess water supply pressure	Place a pressure regulator at end of 50' garden hose.

PREVENTATIVE MAINTENANCE

This pressure washer was produced with the best available materials and quality craftsmanship. However, you as the owner have certain responsibilities for the correct care of the equipment. Attention to regular preventative maintenance procedures will assist in preserving the performance of your equipment. Contact your dealer for maintenance. Regular preventative maintenance will add many hours to the life of your pressure washer. Perform maintenance more often under severe conditions.

MAINTENANCE SCHEDULE		
Engine Oil SAE 10W-30	Inspect	Daily
	Change	First month or 20 hours. Every 100 hours or every 6 months after first month
	Filter	Every 50 hours
Air Cleaner/Filter	Inspect	Every 50 hours
	Clean	Monthly
Engine Fuel Filter		500 hours or 6 months
Spark Plug Maintenance		300 hours or annually
Clean Fuel Tank(s)		Annually
Replace Fuel Lines		Annually
Pump Oil (Non foaming) SAE 10W-40	Inspect	Oil level daily
	Change	After first 50 hours, then every 500 hours or annually
Replace High Pressure Nozzle		Every 6 months
Replace Quick Connects		Annually
Clean Water Screen/Filter		Weekly
Replace HP Hose		Annually (if there are any signs of wear)
Belts	Tighten	Every 6 months
	Inspect/Replace	Every 6 months

NOTE: Read engine manual for any maintenance or service questions.

OIL CHANGE RECORD

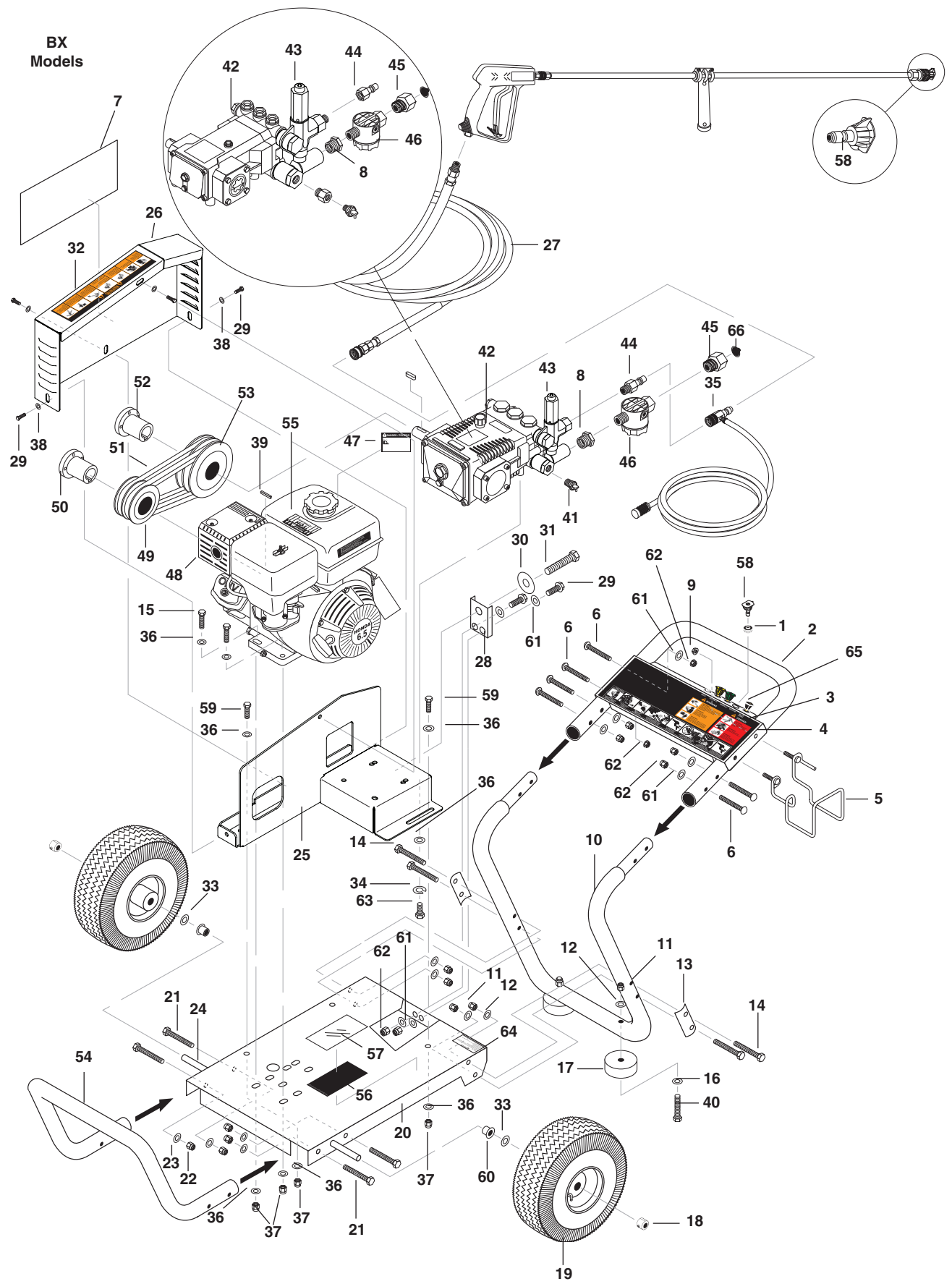
Check pump oil and engine oil level before first use of your new pressure washer.

Pump oil: Check level daily before first use of your new Power Washer. Change pump oil after first 50 hours every year or 500 hours thereafter. Use SAE 10W-40 non foaming.

Engine oil: Check daily before first use of your new Power Washer. Change engine oil after first 20 hours and every 100 hours thereafter. Use SAE 10W-30.

Date Oil Changed Month/Day/Year	Estimated Operating Hours Since Last Oil Change	Date Oil Changed Month/Day/Year	Estimated Operating Hours Since Last Oil Change

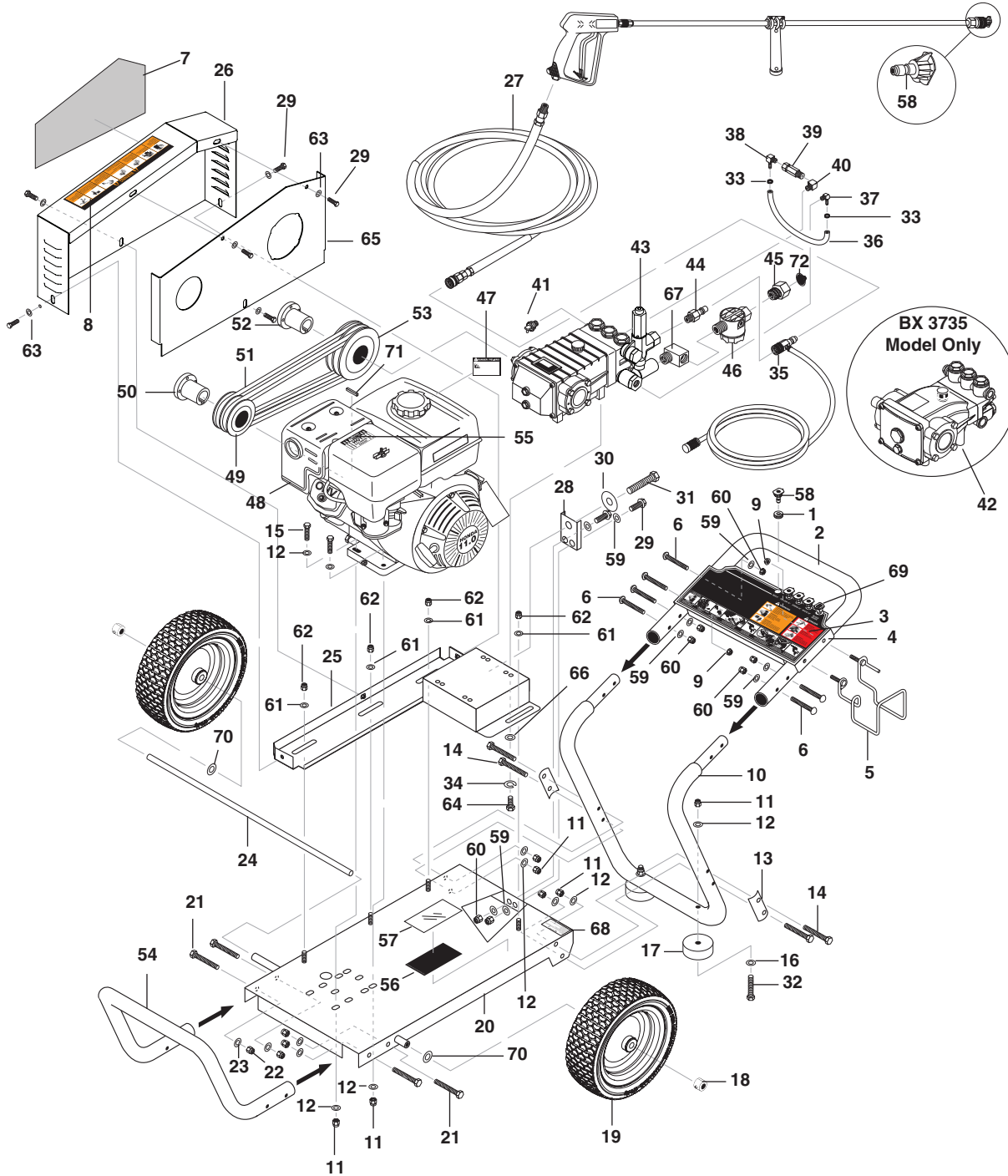
EXPLODED VIEW - 2527, 2820



EXPLODED VIEW PARTS LIST - 2527, 2820

ITEM	PART NO.	DESCRIPTION	QTY	ITEM	PART NO.	DESCRIPTION	QTY
1	9.802-064.0	Grommet, Rubber, Nozzle Holder	5	39	9.802-958.0	Key, .185" Sqr. x 1.75"	1
2	8.719-938.0	Handle, Grab, Red	1	40	9.802-730.0	Bolt 3/8" x 2-1/4"	2
3	8.900-910.0	Label, BX Models	1	41	9.804-025.0	Pump Protector 1/4"	1
4	8.912-081.0	Plate, Warning/Instr., Red	1	42	Pump, See Specifications Pages		
5	9.803-098.0	Hanger, Hose/Wand	1	43	Unloader, See Specifications Pages		
6	9.802-706.0	Bolt, Carriage, 1/4"-20 x 1-3/4", Zinc	6	44	8.707-152.0	Nipple, 3/8", Male, Ssteel	1
7	8.901-144.0	Label, Belt Guard (BX)	1	45	8.757-203.0	Swivel, 1/2" M-NPTF x 3/4" GHF	1
8	8.756-874.0	Adapter steel 1/2 NPTF(F) x 1/2 BSPP(M) (2527, 2820)	1	46	9.802-163.0	Strainer, 1/2" PA, Inline Plastic	1
	8.706-992.0	Adapter, 1/2" x 3/8" (282039)	1	47	9.800-008.0	Label, Danger Cool Engine	1
9	9.802-778.0		2	48	Engine, See Specifications		
10	8.719-937.0	Handle, Lower Grab, Red	1	49	Engine Pulley, See Specifications Pages		
11	9.802-779.0	Nut, 3/8", ESNA, NC	6	50	Engine Bushing, See Specifications Pages		
12	9.802-807.0	Washer, 3/8", SAE, Flat	6	51	Belts, See Specifications Pages		
13	8.912-061.0	Retainer Bracket, Handle, Red	2	52	Pump Bushing, See Specifications Pages		
14	9.802-728.0	Bolt, 3/8" x 2" NC, HH	4	53	Pump Pulley, See Specifications Pages		
15	9.802-713.0	Bolt, 5/16" x 1/2"	4	54	8.719-939.0	Handle, Bumper, Red	1
16	9.802-817.0	Washer, 3/8" x 1", Steel	2	55	9.800-006.0	Label, Hot/Caliente w/Arrows, Warning	1
17	9.802-066.0	Pad, Soft Rubber	2	56	8.932-968.0	Label, For Outdoor Use	1
18	9.802-782.0	Collar, 5/8" Bore Shaft, 3010	2	57	9.800-034.0	Label, Clear Lexan, 2-1/4" x 4-1/2"	1
19	8.754-186.0	Qh Wheel Assy, 10" Gray Steel Rim W/Tube	2	58	8.712-333.0	Nozzle, SAQCMEG 1503.0, Yellow (2527)	1
20	8.912-093.0	Frame Assy, Small	1		8.712-334.0	Nozzle, SAQCMEG, 2503.0, Green (2527)	1
21	9.802-712.0	Bolt, 5/16" x 1-3/4", NC, Carriage, Zinc	4		8.712-335.0	Nozzle, SAQCMEG 4003.0, White (2527)	1
22	9.802-776.0	Nut, 5/16", ESNA, NC	4		8.712-346.0	Nozzle, SAQCMEG 1504.0, Yellow (2820)	1
23	8.718-980.0	Washer, 5/16" Flat, SAE	4		8.712-347.0	Nozzle, SAQCMEG, 2504.0, Green (2820)	1
24	9.803-097.0	Axle, 5/8" x 19-5/8"	1		8.712-348.0	Nozzle, SAQCMEG 4004.0, White (2820)	1
25	8.917-887.0	Slider, Pump	1	59	9.802-710.0	Bolt, 5/16" x 1" NC	3
26	8.917-885.0	Guard, Belt	1	60	9.802-103.0	Bushing, 5/8" Snap	2
27	Hose, See Specifications Pages			61	9.802-802.0	Washer, 1/4" Flat, SAE	10
28	8.912-082.0	Bracket, Take Up, CW, Red	1	62	9.802-773.0	Nut, 1/4" ESNA, NC	8
29	9.802-700.0	Screw, 1/4" x 3/4" HH NC	6	63	9.802-741.0	Bolt, 8mm x 30mm Hex	4
30	9.802-809.0	Washer, 1/2", Flat, SAE	1	64	9.800-049.0	Label, Cleaning Solution	1
31	9.802-740.0	Bolt, 1/2" x 3-1/2" HEX	1	65	8.712-398.0	Nozzle, Compl, Detergent	1
32	9.800-036.0	Label, Warning Pictorial Sm	1	66	9.804-016.0	Filter Screen Washer, Garden Hose/30MESH	1
33	9.802-810.0	Washer, 5/8" Flat	2				
34	9.802-813.0	Washer, 5/16" Lock	4				
35	8.756-797.0	Injector, Chemical, NON ADJ 0.083(2.1MM)	1				
36	8.718-980.0	Washer, 5/16" Flat	18				
37	9.802-776.0	Nut, 5/16" ESNA	7				
38	9.802-802.0	Washer, 1/4"	4				

EXPLODED VIEW - 3030, 3735



EXPLODED VIEW PARTS LIST - 3030, 3735

ITEM	PART NO.	DESCRIPTION	QTY	ITEM	PART NO.	DESCRIPTION	QTY
1	9.802-064.0	Grommet, Rubber, Nozzle Holder	5	8	9.800-036.0	Label, Warning, Pictorial, Sm	1
2	8.719-938.0	Handle, Grab, Red	1	9	9.802-778.0	Nut, 5/16" Whiz Loc Flange	2
3	8.900-910.0	Label, BX Models	1	10	8.719-937.0	Handle, Lower Grab, Red	1
4	8.912-081.0	Plate, Warning/Instr., Red	1	11	9.802-779.0	Nut, 3/8", ESNA, NC	10
5	9.803-098.0	Hanger, Hose/Wand	1	12	9.802-807.0	Washer, 3/8", SAE, Flat	14
6	9.802-706.0	Bolt, Carriage, 1/4"-20 x 1-3/4", Zinc	6	13	8.912-061.0	Retainer Bracket, Handle, Red	2
7	8.901-145.0	Label, Belt Guard (BX)	1	14	9.802-728.0	Bolt, 3/8" x 2" NC, HH	4

EXPLODED VIEW PARTS LIST - 3030, 3735

ITEM	PART NO.	DESCRIPTION	QTY	ITEM	PART NO.	DESCRIPTION	QTY
15	9.802-727.0	Bolt, 3/8" x 1-3/4", Tap	4	46	9.802-163.0	Strainer, 1/2" PA, Inline Plastic	1
16	9.802-817.0	Washer, 3/8" x 1", Steel	2	47	9.800-008.0	Label, Danger Cool Engine	1
17	9.802-066.0	Pad, Soft Rubber	2	48	Engine, See Specifications Pages		
18	9.802-782.0	Axle Hub Black	2	49	Engine Pulley, See Specifications Pages		
19	8.758-460.0	Wheel 12 In. Rim Steel	2	50	Engine Bushing, See Specifications Pages		
20	8.912-069.0	Frame Assy, Large	1	51	Belts, See Specifications Pages		
21	9.802-712.0	Bolt, 5/16" x 1-3/4", NC, Carriage, Zinc	4	52	Pump Bushing, See Specifications Pages		
22	9.802-776.0	Nut, 5/16", ESNA, NC	4	53	Pump Pulley, See Specifications Pages		
23	8.718-980.0	Washer, 5/16" Flat, SAE	4	54	8.719-939.0	Handle, Bumper, Red	1
24	8.911-226.0	Axle, 5/8" x 27" L	1	55	9.800-006.0	Label, Hot/Caliente w/Arrows, Warning	1
25	8.917-888.0	Slider, Pump	1	56	8.932-968.0	Label, Intended For Outdoor Use	1
26	8.917-886.0	Belt Guard Front Cover	1	57	9.800-034.0	Label, Clear Lexan, 2-1/4" x 4-1/2"	1
27	Hose, See Specifications Pages			58	8.712-338.0	Nozzle, SAQCMEG 1503.5, Yellow (3030)	1
28	8.912-082.0	Bracket, Take Up, CW, Red	1		8.712-339.0	Nozzle, SAQCMEG, 2503.5, Green (3030)	1
29	9.802-700.0	Screw, 1/4" x 3/4" HH NC	8		8.712-340.0	Nozzle, SAQCMEG 4003.5, White (3030)	1
30	9.802-809.0	Washer, 1/2", Flat, SAE	1		8.712-346.0	Nozzle, SAQCMEG 1504.0, Yellow (3735, 3735)	1
31	9.802-740.0	Bolt, 1/2" x 3-1/2" HEX	1		8.712-347.0	Nozzle, SAQCMEG, 2504.0, Green (3735, 3735)	1
32	9.802-730.0	Bolt, 3/8" x 2-1/4"	2		8.712-348.0	Nozzle, SAQCMEG 4004.0, White (3735, 3735)	1
33	6.390-126.0	Clamp, Hose, .46-54 ST	2	59	9.802-802.0	Washer, 1/4" Flat	10
34	9.802-813.0	Washer, 5/16" Lock (3030)	4	60	9.802-773.0	Nut, 1/4" ESNA	8
	9.802-816.0	Washer, 7/16" Lock, Split (3735)	4	61	8.718-980.0	Washer, 5/16" Flat	4
35	8.756-797.0	Injector, Chemical, NON ADJ 0.083(2.1MM)	1	62	9.802-776.0	Nut, 5/16" ESNA	4
36	9.802-254.0	Hose, 1/4", Push-On, Fuel Line	1 ft.	63	9.802-802.0	Washer, 1/4"	6
37	8.757-205.0	HOSE BARB, 1/4" BARB x 1/4" M-NPTF, 90° (3030, 3735)	1	64	9.802-741.0	Bolt, 8mm x 30mm Hex(3030)	4
38	8.757-201.0	Hose Barb, 1/4" Barb x 1/8" M-NPTF (3735)	1		9.802-744.0	Bolt, 10mm x 20mm (3735)	4
	8.757-204.0	Hose Barb, 1/4" Barb X 1/8" M-NPTF, 90° (3030)	1	65	8.917-889.0	Plate, Beltguard Black Cover	1
39	9.802-190.0	Valve, E-Z Start, 3/8" MPT x 1/8" FPT (3735)	1	66	8.718-980.0	Washer, 5/16" Flat (3030)	4
	9.804-065.0	Valve, EZ Start 1/4" (3030)	1		9.802-807.0	Washer, 3/8" Flat (3735)	4
40	8.757-340.0	Elbow 3/8", Street 90 Deg, Steel, W/SLNT (3735)	1	67	8.757-342.0	Elbow, 1/2" Street, Brass	1
	8.757-339.0	Elbow, 1/4" Street 90 Deg, Steel W/SLNT (3030)	1	68	9.800-049.0	Label, Cleaning Solution	1
41	8.757-549.0	Pump protector 1/2 140°	1	69	8.712-398.0	Nozzle, Compl, Detergent	1
42	Pump, See Specifications Pages			70	9.802-810.0	Washer, 5/8" Flat	2
43	Unloader, See Specifications Pages			71	9.802-959.0	Key, .247" Sqr. x 2.125"	1
44	8.707-152.0	Nipple, 3/8", Male, Ssteel (BX 3735 only)	1	72	9.804-016.0	Filter Screen Washer, Garden Hose/30MESH	1
	9.802-170.0	Coupler, 3/8" Plug, Female Steel/Zinc	1				
45	8.757-203.0	Swivel, 1/2" M-NPTF x 3/4" GHF	1				

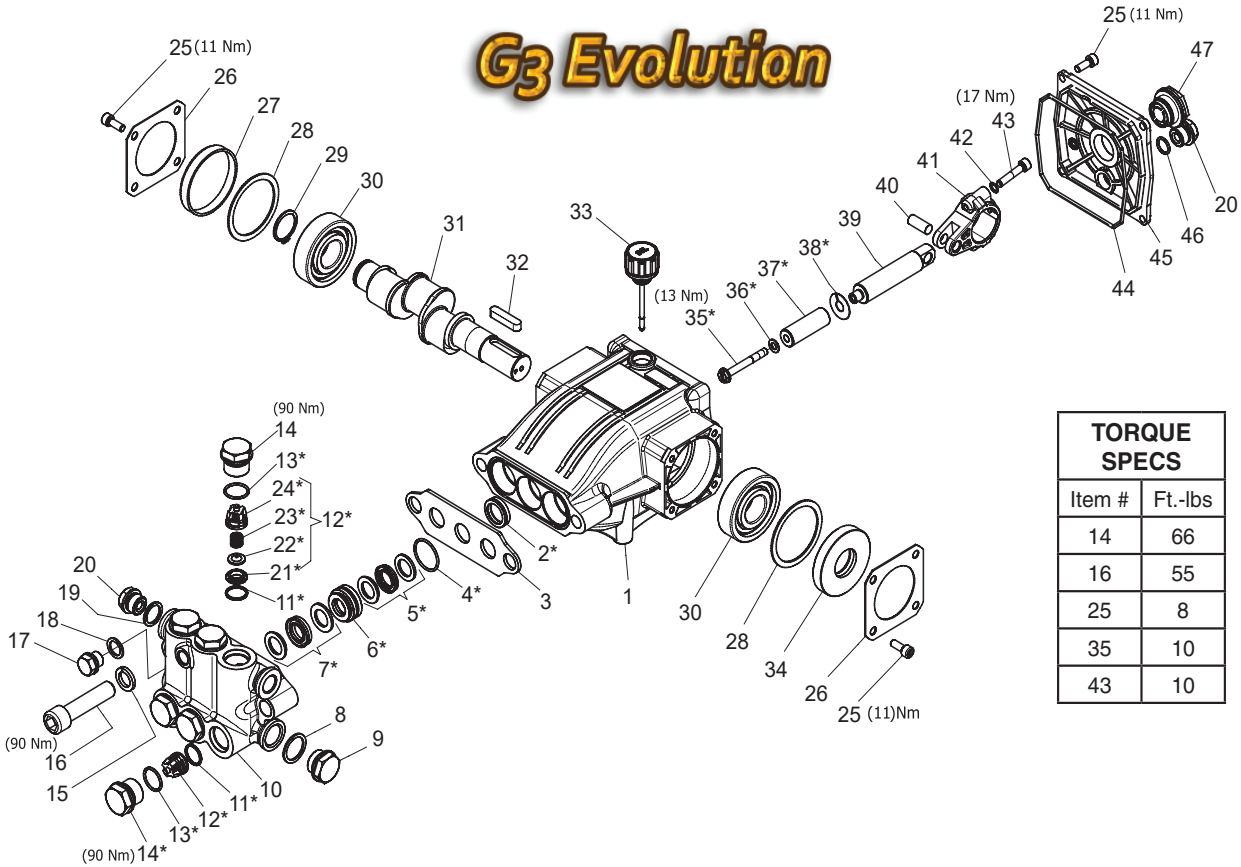
SPECIFICATIONS

Model	GPM	Pressure (PSI)	Nozzle Size	Pump	Pump Part #	Unloader Part #	Engine Model	Engine Part #	Pump Pulley
BX-282039	2.8	2000	4.0	HBP3030R	8.929-270.0	8.754-696.0	GX160 (163cc)	9.802-316.0	AK74H
BX-252739	2.5	2700	3.0	HBP3030R	8.929-270.0	8.754-696.0	GX200 (196cc)	9.802-317.0	BK80H
BX-303039	3.0	3000	3.5	HBP3030R	8.929-270.0	8.754-696.0	GX270 (270cc)	8.759-119.0	2BK80H
BX-373539	3.7	3500	4.0	HM4035R.3	8.751-180.0	9.175-018.0	GX390 (389cc)	8.759-120.0	2BK90H
BX-373539 CAL	3.7	3500	4.0	HM4035R.3	8.751-180.0	9.175-018.0	Vanguard 14HP (408cc)	8.758-1160.0	2BK90H

SPECIFICATIONS

Model	Pump Pulley #	Pump Bushing	Bushing Part #	Engine Pulley	Pulley Part #	Engine Bushing	Bushing Part #	Belt Size	Belt Part #
BX-282039	9.802-369.0	24MM	9.802-402.0	AK39H	9.803-898.0	H x 3/4"	9.803-897.0	AX33	9.803-896.0
BX-252739	9.802-380.0	24MM	9.802-402.0	BK36H	9.802-379.0	H x 3/4"	9.803-897.0	BX32	9.802-413.0
BX-303039	8.715-592.0	24MM	9.802-402.0	2BK40	9.802-384.0	H x 1"	9.802-399.0	BX38 (2)	9.802-417.0
BX-373539	8.715-593.0	24MM	9.802-402.0	2BK32H	8.715-576.0	H x 1"	9.802-399.0	BX39 (2)	9.802-418.0

HBP3030R SERIES PUMP EXPLODED VIEW



TORQUE SPECS	
Item #	Ft.-lbs
14	66
16	55
25	8
35	10
43	10

HBP3030R SERIES PUMP EXPLODED VIEW PARTS LIST

ITEM	PART NO.	DESCRIPTION	QTY	ITEM	PART NO.	DESCRIPTION	QTY
1	8.754-841.0	Crankcase	1	20*	8.707-262.0	Plug, Brass G3/8	2
2*	See Kits Below	Plunger Oil Seal	1	21*	See Kits Below	Plug, Brass G3/8	2
3	8.758-216.0	Spacer	1	21*	See Kits Below	Valve Seat	6
4*	See Kits Below	"O"-Ring Ø1.78 X 26.7	3	22*	See Kits Below	Valve Plate	6
5*	See Kits Below	"U"-Seals	3	23	See Kits Below	Valve Spring	6
6*	See Kits Below	Pressure Ring	3	24	See Kits Below	Valve Cage	6
7*	See Kits Below	"U"-Seals	3	25	See Kits Below	Screw, M6 X 16	12
8	9.803-199.0	Washer, Copper G1/2	3	26	8.717-137.0	Bearing Cover	2
9	9.802-926.0	Plug, Brass G1/2	1	27	9.803-954.0	Bearing Seal	1
10*	8.759-028.0	Manifold	1	28	8.754-843.0	Seal Spacer, Crankshaft	2
11*	8.717-233.0	O-ring Ø1.78 X 15.6	6	29	9.802-914.0	Snap Ring, 25 mm	1
12*	See Kits Below	Valve Assembly	6	30	9.803-955.0	Bearing, Ball	2
13	9.803-948.0	O-ring Ø1.78 X 18.77	6	31	8.754-829.0	Shaft, 24 mm 3030	1
14	9.803-949.0	Valve Plug	6		8.754-830.0	Shaft, 24 mm 4025	1
15*	8.754-850.0	Washer, Lock	1	32	9.803-167.0	Key, Crankshaft	1
16	8.929-349.0	Bolt Manifold M14x60	2	33	8.754-219.0	Oil Dipstick	1
17	8.754-851.0	Plug Brass 1/4	1	34	8.933-010.0	Seal, Crankshaft	1
18*	8.718-973.0	Washer cooper G1/4	2	35*	8.754-855.0	Bolt, Plunger	3
19*	9.803-198.0	Washer, Copper G3/8	2	36*	8.754-092.0	Spacer, Copper	3
				37*	8.754-848.0	Plunger, 16 mm	3

HBP3030R SERIES PUMP EXPLODED VIEW PARTS LIST (CONT.)

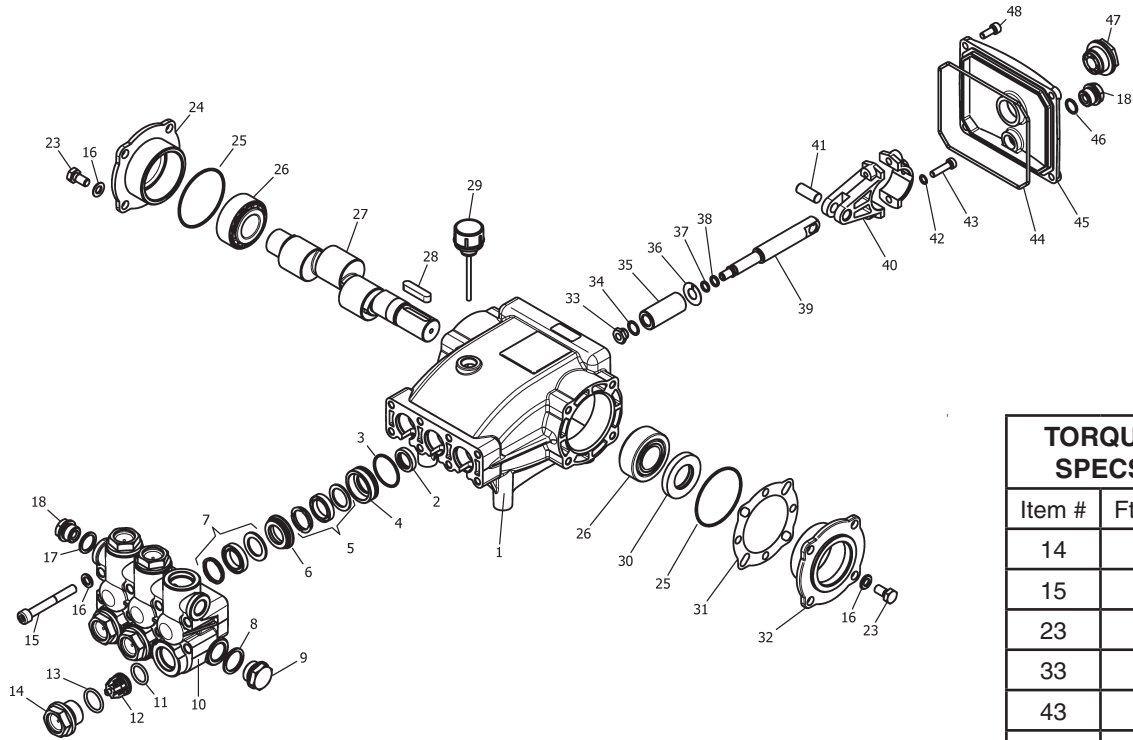
ITEM	PART NO.	DESCRIPTION	QTY
38*	9.803-962.0	Spacer, Copper	3
39	8.754-827.0	Plunger Rod	3
40	9.803-965.0	Connecting Rod Pin	3
41	9.803-966.0	Connecting Rod	3
42	9.803-218.0	Washer, 6 mm	6
43	8.933-020.0	Screw, Connecting Rod	6
44	8.754-847.0	O-ring Ø2.62 X 111.62	1
45	8.754-842.0	Cover, Crankcase	1
46	9.803-906.0	O-ring Ø1.78 X 14	1
47	9.803-202.0	Sight Glass, G3/4	1

* Available in kit (See below)

REPAIR KIT NUMBER	8.754-856.0	8.758-081.0	8.754-858.0	8.754-858.0	9.803-937.0
KIT DESCRIPTION	Plunger Seal 16mm	Seal Packing 16 mm	Plunger 16 mm	Complete Valve	Pluger Oil Seals
ITEM NUMBERS INCLUDED	4, 5, 7	4, 5, 6, 7	35, 36, 37, 38	11, 12, 13	2
NUMBER OF CYLINDERS KIT WILL SERVICE	3	3	1	6	3

HM.3 SERIES PUMP EXPLODED VIEW

8.751-180.0 HM4035R.3



TORQUE SPECS	
Item #	Ft.-lbs
14	75
15	30
23	8
33	9
43	13
48	7.6

HM.3 SERIES PUMP EXPLODED VIEW PARTS LIST

ITEM	PART NO.	DESCRIPTION	QTY	ITEM	PART NO.	DESCRIPTION	QTY
1	8.751-216.0	Crankcase	1	23	9.802-944.0	Hexagonal Screw	8
2*	See Kits Below	Plunger Oil seal	3	24	8.717-210.0	Closed Bearing Housing	1
3*	See Kits Below	O-Ring Ø1.78 x 31.47	3	25	9.803-192.0	O-Ring Ø1.78 x 60.05	2
4*	See Kits Below	Pressure Ring	3	26	8.933-011.0	Tapered Roller Bearing	2
5*	See Kits Below	U-Seal	3	27	9.803-146.0	Crankshaft (3540)	1
6*	See Kits Below	Intermediate Ring	3		9.803-147.0	Crankshaft (4035)	1
7*	See Kits Below	U-Seal	3	28	9.803-167.0	Crankshaft Key	1
8	9.803-199.0	Washer, Copper	1	29	9.802-921.0	Oil Dip Stick	1
9	9.802-926.0	Plug, Brass 1/2	1	30	9.803-140.0	Crankshaft Seal	1
10	8.751-218.0	Manifold Head	1	31	9.803-178.0	Shim	2
11*	See Kits Below	O-Ring Ø2.62 x 17.13	6	32	8.717-209.0	Bearing Housing	1
12*	See Kits Below	Valve Assembly	6	33*	See Kits Below	Plunger Nut, M8	3
13*	See Kits Below	O-Ring Ø2.62 x 20.29	6	34*	See Kits Below	Copper Spacer	3
14	9.802-928.0	Valve Plug	6	35*	See Kits Below	Plunger (4035) Plunger (3540)	3 3
15	9.802-938.0	Manifold Stud Bolt	8	36*	See Kits Below	Copper Spacer	3
16	9.802-884.0	Washer	16	37*	See Kits Below	O-Ring Ring	3
17	9.803-198.0	Copper Washer 3/8	1	38*	See Kits Below	Teflon Ring	3
18	9.802-925.0	Brass Plug 3/8	2	39	9.803-144.0	Plunger Rod	3

HM.3 SERIES PUMP EXPLODED VIEW PARTS LIST (CONT.)

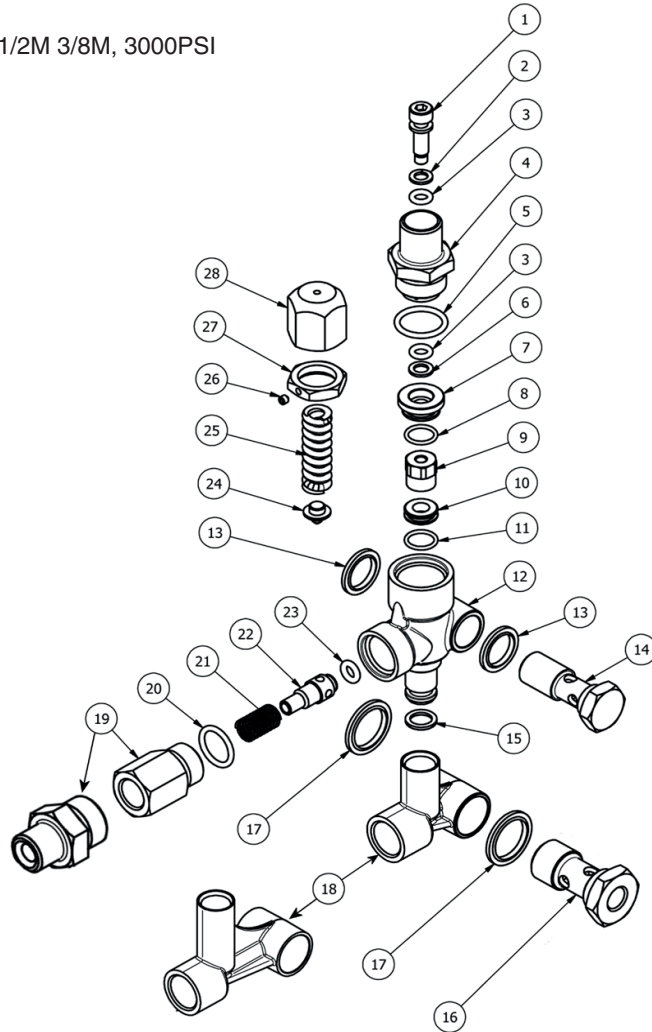
ITEM	PART NO.	DESCRIPTION	QTY
40	9.803-158.0	Connecting Rod	3
41	8.751-228.0	Connecting Rod Pin	3
42	9.803-218.0	Spring Washer	6
43	9.803-238.0	Connecting Rod Screw	6
44	70-060009	O-Ring, Ø2.62 x 126.67	1
45	8.751-229.0	Crankcase Cover	1
46	9.803-197.0	O-Ring, Ø1.78 x 14	1
47	9.803-202.0	Sight Glass 3/4	1
48	9.802-939.0	Cover Screw	5

* Available in kit (See below)

REPAIR KIT NO.	8.725-360.0	8.725-358.0	8.725-361.0	8.725-359.0	8.725-237.0	8.933-023.0	9.802-603.0	9.802-609.0
KIT DESCRIPTION	Plunger Seal 4035 18mm	Plunger Seal 3540 15mm	Complete Seal Packing 4035 18mm	Complete Seal Packing 3540 15mm	Plunger 4030 18mm	Plunger 3540 15mm	Complete Valve	Plunger Oil Seals
ITEM NUMBERS INCLUDED	3, 5, 7	3, 5, 7	3, 4, 5, 6, 7	3, 4, 5, 6, 7	33, 34, 35, 36, 37, 38	33, 34, 35, 36, 37, 38	11, 12, 13	2
NO. OF CYLINDERS KIT WILL SERVICE	3	3	1	1		1	6	3

VBT UNLOADER EXPLODED VIEW

8.754-696.0
UNLOADER, VBT BANJO 1/2M 3/8M, 3000PSI



VBT UNLOADER EXPLODED VIEW PARTS LIST

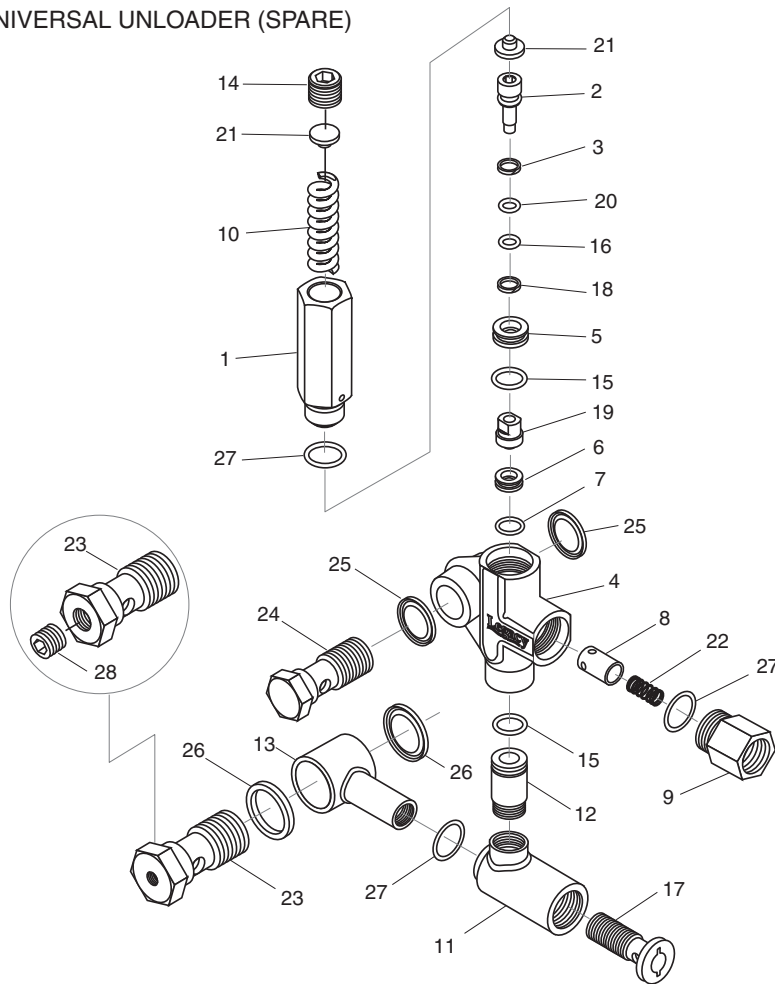
ITEM	PART #	DESCRIPTION	KIT	QTY	ITEM	PART #	DESCRIPTION	KIT	QTY
1*	8.754-929.0	Stem	C	1	17	9.803-914.0	Seal Washer 1/2)		1
2*	9.803-912.0	Backup Ring	A	1	18	8.754-937.0	Bypass Manifold		1
3*	8.754-930.0	O-ring, Ø2.62 x 6.02	A	2	19	9.802-892.0	Outlet Connector 3/8 MPT		1
4	8.730-882.0	Stem Connector		1	20*	9.803-191.0	O-ring, Ø2.62 X 17.13	A,B	1
5*	9.803-193.0	O-ring, Ø2.62 x 20.24	A	1	21*	8.933-017.0	Poppet Spring	B	1
6*	9.803-908.0	Backup Ring	A	1	22*	8.754-939.0	Poppet	B	1
7	9.803-907.0	Guide Bushing		1	23*	8.754-940.0	O-ring, Ø3 x 6	A,B	1
8*	9.803-906.0	O-ring, Ø1.78 x 14	A	1	24*	8.754-961.0	Plate	C	1
9*	8.754-959.0	Ball SubAssembly	C	1	25*	8.933-018.0	Spring 1500-4000 PSI	C	1
10*	8.754-933.0	Seat	C	1	26	8.933-021.0	Set Screw		1
11*	8.754-934.0	O-ring, Ø1.78 x 12.42	A,C	1	27	9.803-925.0	Nut		1
12	8.754-935.0	Valve Body		1	28	9.803-926.0	Knob, Brass, Unloader		1
13	9.802-893.0	Seal Washer 3/8		1					
14	9.803-919.0	Banjo Bolt 3/8		1					
15*	8.754-936.0	O-ring, Ø2.62 x 10.78	A	1					
16	9.803-920.0	Banjo Bolt, 1/2, w/1/4" Port		1					

* Included in Kit

Kit A 8.754-941.0 O-Ring Repair Kit
Kit B 8.754-942.0 Outlet Repair Kit
Kit C 8.754-957.0 Stem Repair Kit

UU1 UNLOADER EXPLODED VIEW

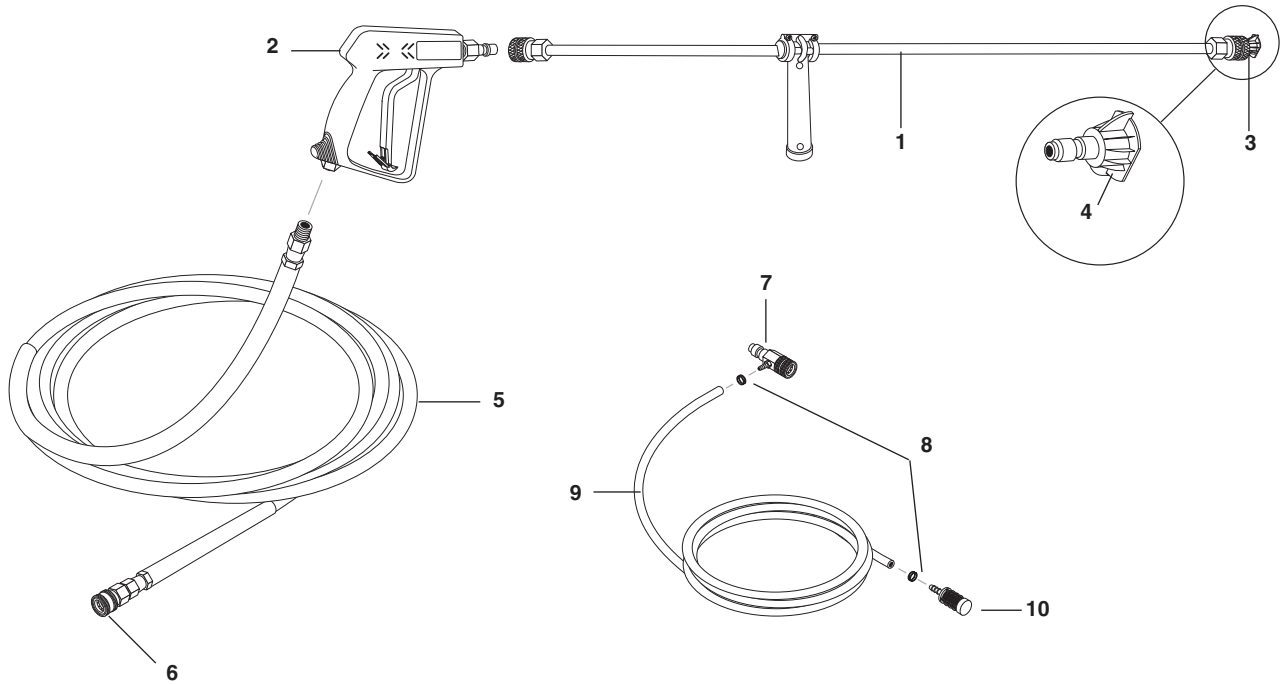
9.175-018.0
UU1 3500PSI, UNIVERSAL UNLOADER (SPARE)



UU1 UNLOADER EXPLODED VIEW PARTS LIST

ITEM	PART #	DESCRIPTION	KIT	QTY	ITEM	PART #	DESCRIPTION	KIT	QTY
1	8.751-394.0	Piston Housing	D	1	17	9.149-006.0	Sliding Connector Guide		1
2		Piston	C, D	1	18		O-Ring Backup 6 x 1.45 x 1.68	A, D	1
3		Piston O-Ring Back Up	A, D	1	19		Ball Housing Assy	C, D	1
4	8.749-796.0	Main Block		1	20		O-Ring 6.75 x 1.78 BN80	A, D	1
5	9.152-372.0	Piston Ring	D	1	21		Spring Seat	C, D	2
6		Ball Seat	C, D	1	22		Plunger Spring	B	1
7		O-Ring 10.5 ID x 1.5 CS	A,C,D	1	23	8.917-699.0	Banjo Bolt 1/2" Short		1
8		Plunger	B	1		8.917-700.0	Banjo Bolt 1/2"-1/4" NPT Short		1
9	9.152-016.0	Plunger Housing		1	24	8.917-698.0	Banjo Bolt 3/8" Short		1
10		Bypass Spring	C, D	1	25	9.802-893.0	Seal Washer 3/8"		2
11	9.149-001.0	Low Pressure Port		1	26	9.803-921.0	Seal Washer 1/2"		2
12	9.152-017.0	Sliding Connector, 30mm		1		9.802-893.0	Seal Washer 3/8"		2
	8.762-005.0	Sliding Connector, 40mm, Long		1	27		O-Ring 15 ID x 2 CS	A,B,D	3
13	9.149-002.0	Sliding Connector H 1/2"		1	28	8.706-865.0	Plug, 1/4" Countersunk		1
	9.149-005.0	Sliding Connector H 3/8"		1	Kit A	9.104-038.0	O-Ring Repair Kit		
14	9.196-011.0	Plug 5/8 -18 UNF	D	1	Kit B	9.104-039.0	Outlet Kit		
15		O-Ring 12 ID x 2 CS	A, D	2	Kit C	9.104-040.0	Stem Basic Kit		
16		O-Ring 6 ID X 2 CS	A, D	1	Kit D	8.920-045.0	UU1 Complete Stem Kit		

HOSE, GUN & WAND ASSEMBLY



HOSE, GUN & WAND ASSEMBLY PARTS LIST

ITEM	PART NO.	DESCRIPTION	QTY
1	8.904-423.0	Wand Assy., 35-1/2" Side Grip, w/Couplers	1
2	8.904-490.0	Spray Gun Assy.	1
3	9.802-164.0	Coupler, 1/4" Female, Brass	2
4	Nozzle	Please See Exploded Views For Sizes	
5	8.925-131.0	Hose, 3/8" X 50', R2, SO X SW (373539)	1
	8.925-130.0	Hose, 3/8" X 50' 1W 4000PSI SW/SO/CPL (252739, 282039, 303039)	1
6	9.802-166.0	Coupler, 3/8" Female, Brass	1
7	9.802-216.0	Injector, Detergent, Non-Adjust, 3-5 GPM, .083	1
8	6.390-126.0	Clamp, Hose	2
9	9.802-251.0	Tube, 1/4" x 1/2" Clear Vinyl	6 ft.
10	8.707-057.0	Strainer	1

If you need **SERVICE** on your pressure washer, contact your local Hotsy dealer or visit www.Hotsy.com. Smart phone users scan the code below to link directly to the Service Request page.



To **REGISTER** your pressure washer, please visit our Warranty Registration page at www.hotsy.com/WarrantyRegistration.aspx or scan the code below with your smart phone.

