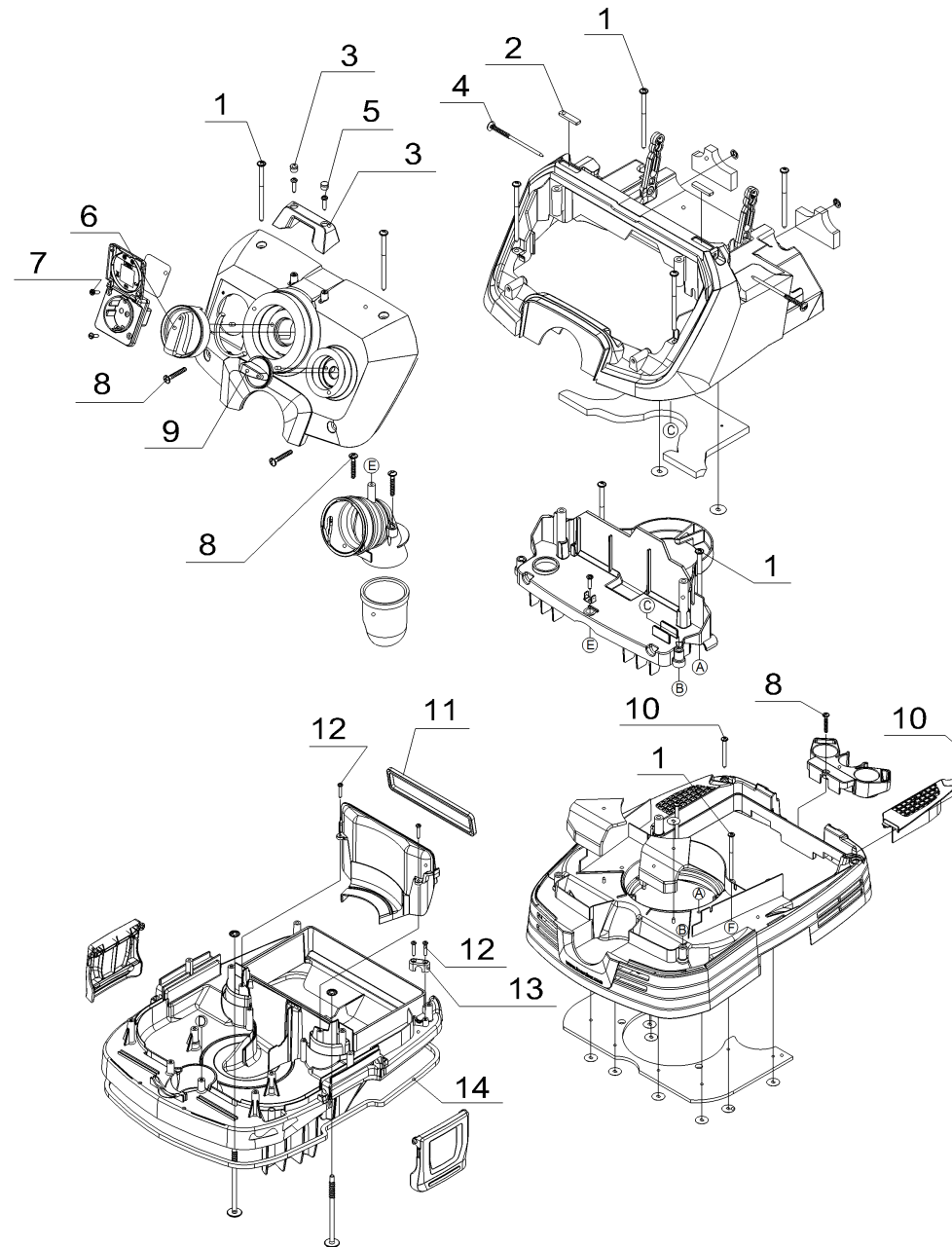


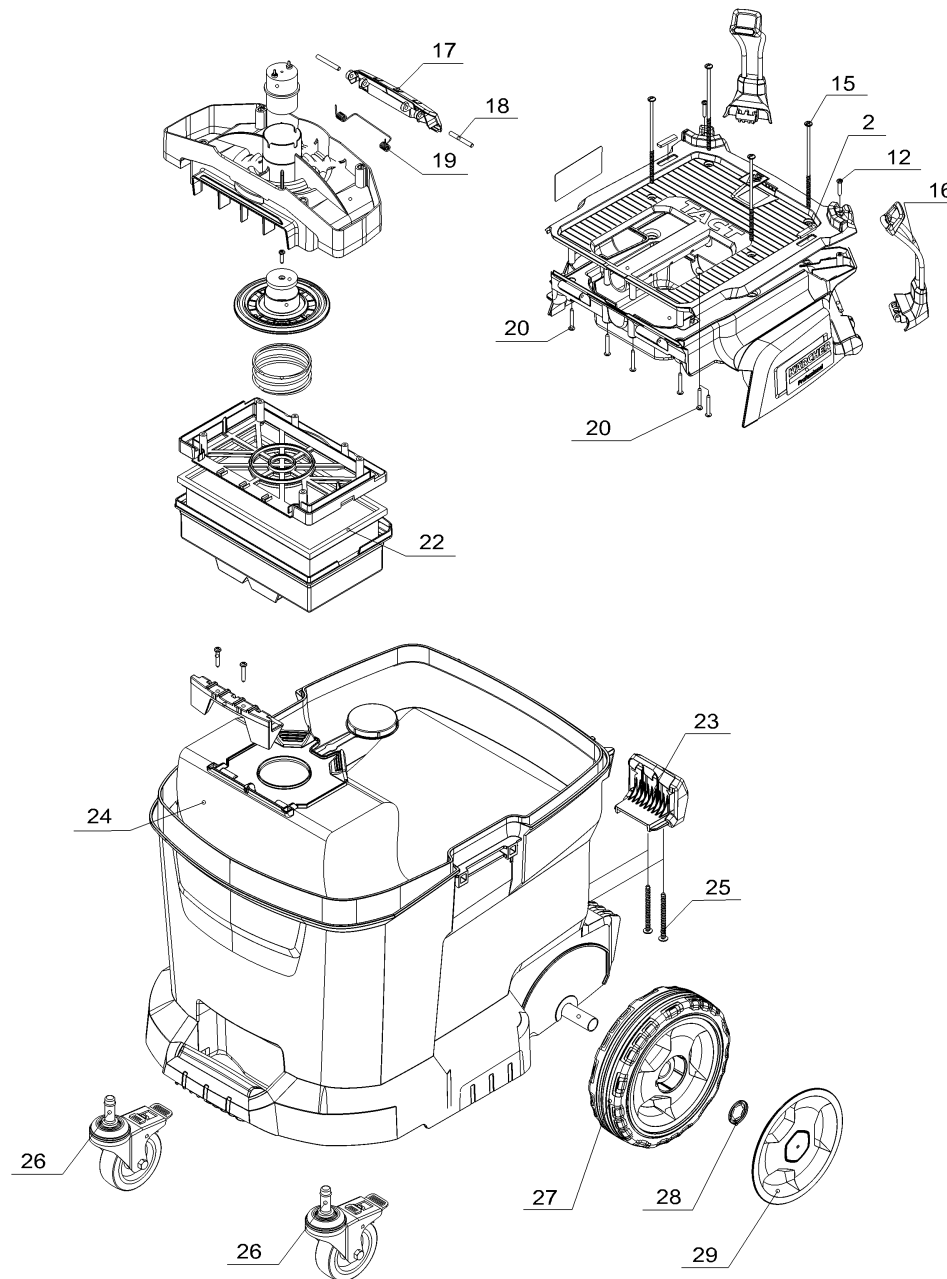
# 5 Short spare parts list NT 50/1 Tact Te L (1.148-411.3)

Professional \ Vacuum cleaner \ Wet-dry vacuum cleaner \ NT 50/1 Tact Te L \*EU \ Short spare parts list NT 50/1 Tact Te L



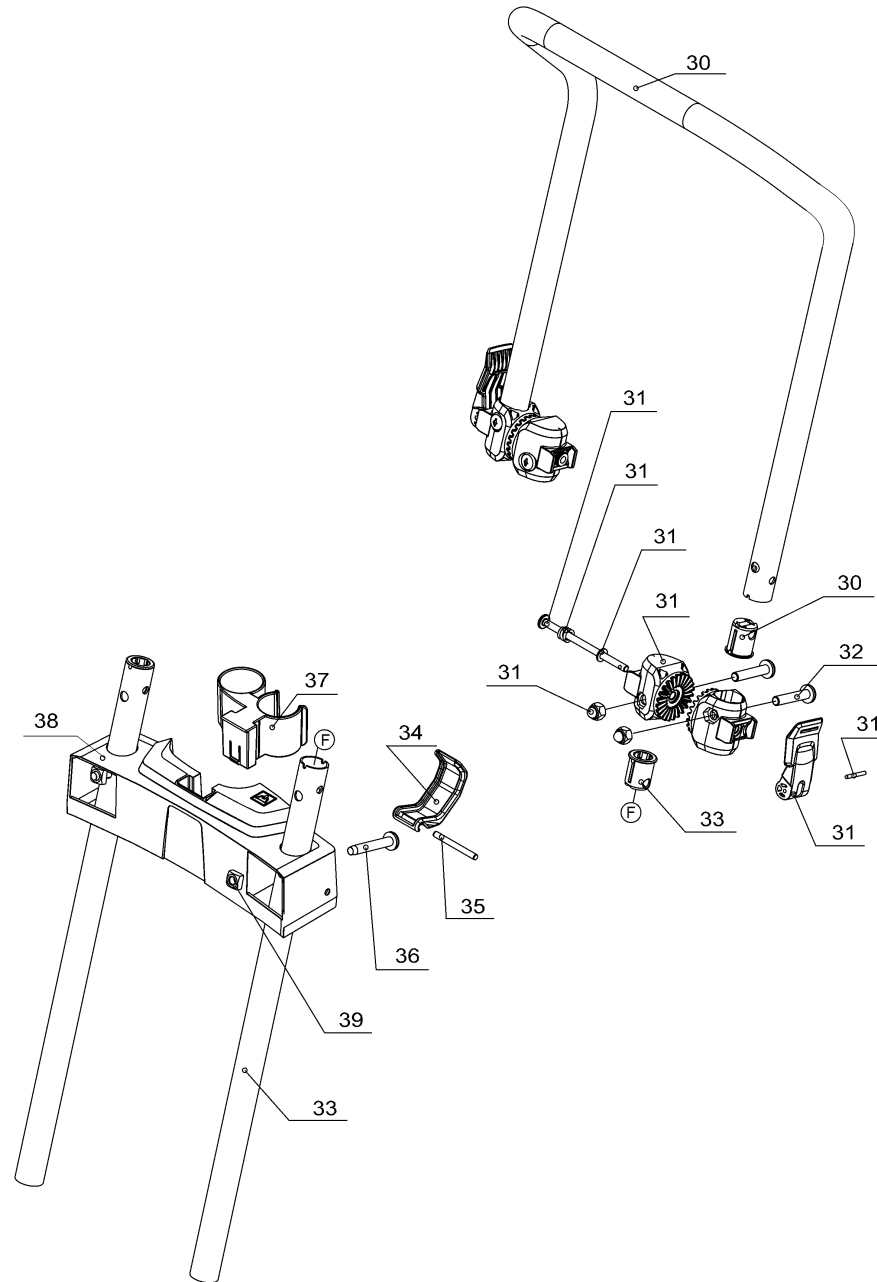
## 5 Short spare parts list NT 50/1 Tact Te L (1.148-411.3)

Professional \ Vacuum cleaner \ Wet-/dry vacuum cleaner \ NT 50/1 Tact Te L \*EU \ Short spare parts list NT 50/1 Tact Te L



## 5 Short spare parts list NT 50/1 Tact Te L (1.148-411.3)

Professional \ Vacuum cleaner \ Wet-/dry vacuum cleaner \ NT 50/1 Tact Te L \*EU \ Short spare parts list NT 50/1 Tact Te L



## 5 Short spare parts list NT 50/1 Tact Te L (1.148-411.3)

Professional \ Vacuum cleaner \ Wet-/dry vacuum cleaner \ NT 50/1 Tact Te L \*EU \ Short spare parts list NT 50/1 Tact Te L



POS	Article no.	Description	Quantity	Unit
1	7.303-171.0	Screw 5x80 -10.9-R2R (K-In6Rd)	10.000	ST
2	4.070-360.0	Antislip rubber set	1.000	ST
3	4.070-345.0	Fixing case	1.000	ST
4	5.107-004.0	Guide screw	2.000	ST
5	7.303-129.0	Screw 4x16 -10.9-R2R (K-In6Rd)	3.000	ST
6	5.744-001.0	Handle	1.000	ST
7	7.303-206.0	Screw 3,5x16 -10.9-A2E (In6Rd)	2.000	ST
8	7.303-086.0	Screw 5x30 -10.9-R2R (K-In6Rd)	7.000	ST
9	5.744-002.0	Handle number of revolutions/hose select	1.000	ST
10	7.303-111.0	Screw 5x50 -10.9-R2R (K-In6Rd)	2.000	ST
11	5.363-187.0	Seal supply air	1.000	ST
12	7.303-096.0	Screw 4x22 -ST-10.9-R2R (IN6RD)	8.000	ST
13	5.034-505.0	Retaining bracket cable	1.000	ST
14	6.273-018.0	Seal string housing base plate	1.000	ST
15	7.303-323.0	Screw 5x130 -10.9-R2R (In6Rd)	4.000	ST
16	4.071-086.0	Hose hook set	2.000	ST
17	5.322-157.0	Filter cover closure	1.000	ST
18	5.317-231.0	Bolt hook	2.000	ST
19	5.333-221.0	Spring	1.000	ST
20	7.303-285.0	Screw 4x30 -10.9-R2R (K-In6Rd)	6.000	ST
22	6.904-360.0	Flat-pleated filter only for replacement	1.000	ST
23	5.044-317.0	Holder floor nozzle	1.000	ST
24	2.889-155.0	Filter bags-fleece 5 piece 40-50 Liter	1.000	ST
25	7.303-234.0	Screw 5x60 -10.9-A2K (K-In6Rd)	2.000	ST
26	6.435-896.0	Castor with brake Ø100	2.000	ST
27	5.515-088.0	Wheel D220	2.000	ST
28	6.343-168.0	Lock washer	2.000	ST
29	5.515-093.0	Wheel cap large RAL 7012	2.000	ST
30	4.071-040.0	Shearing shackle above set	1.000	ST
31	4.071-041.0	Swivel joint set	1.000	ST
32	6.303-285.0	Screw M 8x 40	4.000	ST
33	4.071-034.0	Shearing shackle bottom set	1.000	ST
34	5.037-180.0	Hook yellow	1.000	ST

## 5 Short spare parts list NT 50/1 Tact Te L (1.148-411.3)

Professional \ Vacuum cleaner \ Wet-/dry vacuum cleaner \ NT 50/1 Tact Te L \*EU \ Short spare parts list NT 50/1 Tact Te L



POS	Article no.	Description	Quantity	Unit
35	7.314-040.0	Straight pin 5m6x50 -A1 ISO 2338	1.000	ST
36	7.303-147.0	Screw M 8x50-ST-A3E (IN6RD)	2.000	ST
37	5.031-961.0	Holder accessories	1.000	ST
38	5.031-190.0	Holder shearing shackle	1.000	ST
39	7.311-570.0	Square nut M8 -05-A2E DIN 557	2.000	ST