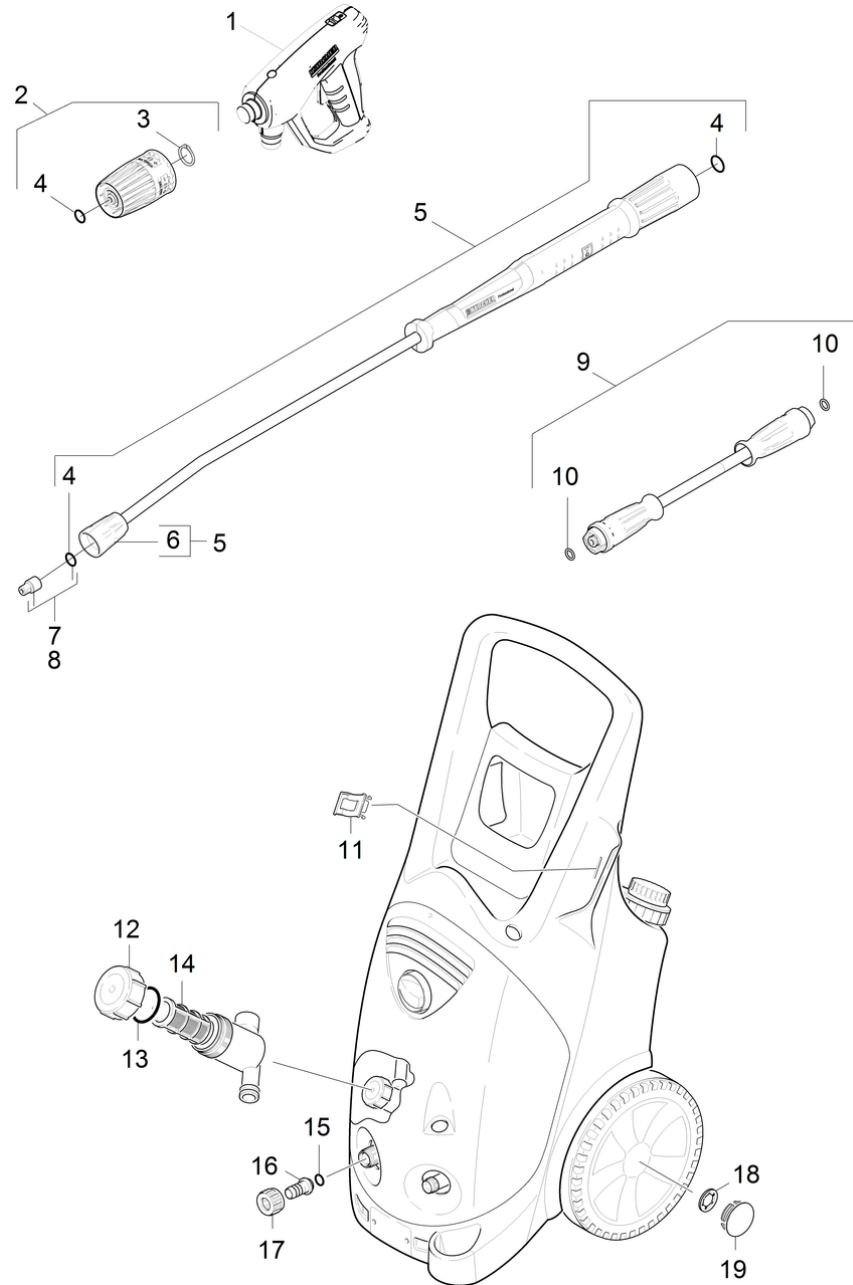


1030 Short spare parts list (1.286-902.3)

Professional \ High pressure cleaner cold water \ Electric motor \ HD 10/25-4 S *EU-I \ Short spare parts list



1030 Short spare parts list (1.286-902.3)

Professional \ High pressure cleaner cold water \ Electric motor \ HD 10/25-4 S *EU-I \ Short spare parts list

KÄRCHER

POS	Article no.	Description	Quantity	Unit
1	4.118-005.0	EASY!Force Advanced	1.000	ST
2	4.118-008.0	Rotary controller TR 416L	1.000	ST
3	7.343-069.0	Locking ring 25x1,2-1.4122 DIN 471	1.000	ST
4	2.880-001.0	Spare part set seals TR	1.000	ST
5	4.112-000.0	Jet pipe TR 1050 mm	1.000	ST
6	4.112-011.0	Protection part TR only for replacement	1.000	ST
7	2.113-009.0	Power nozzle TR 25047	1.000	ST
8	2.113-020.0	Nozzle chemical TR 25250	1.000	ST
9	6.110-031.0	Hose assembly TR rotatable DN8 31,5MPa 1	1.000	ST
10	2.880-154.0	O-Ring kit	1.000	ST
11	5.044-666.0	Holder jet pipe	1.000	ST
12	5.064-453.0	Cover qusty grey	1.000	ST
13	5.363-613.0	Seal	1.000	ST
14	6.414-681.0	Filter cartridge	1.000	ST
15	6.362-161.0	O-Ring seal 19,3 X 2,4	1.000	ST
16	5.443-291.0	Hose stem	1.000	ST
17	5.310-076.0	Nut	1.000	ST
18	6.343-162.0	Lock washer -25	1.000	ST
19	2.889-086.0	Set wheel cap	1.000	ST