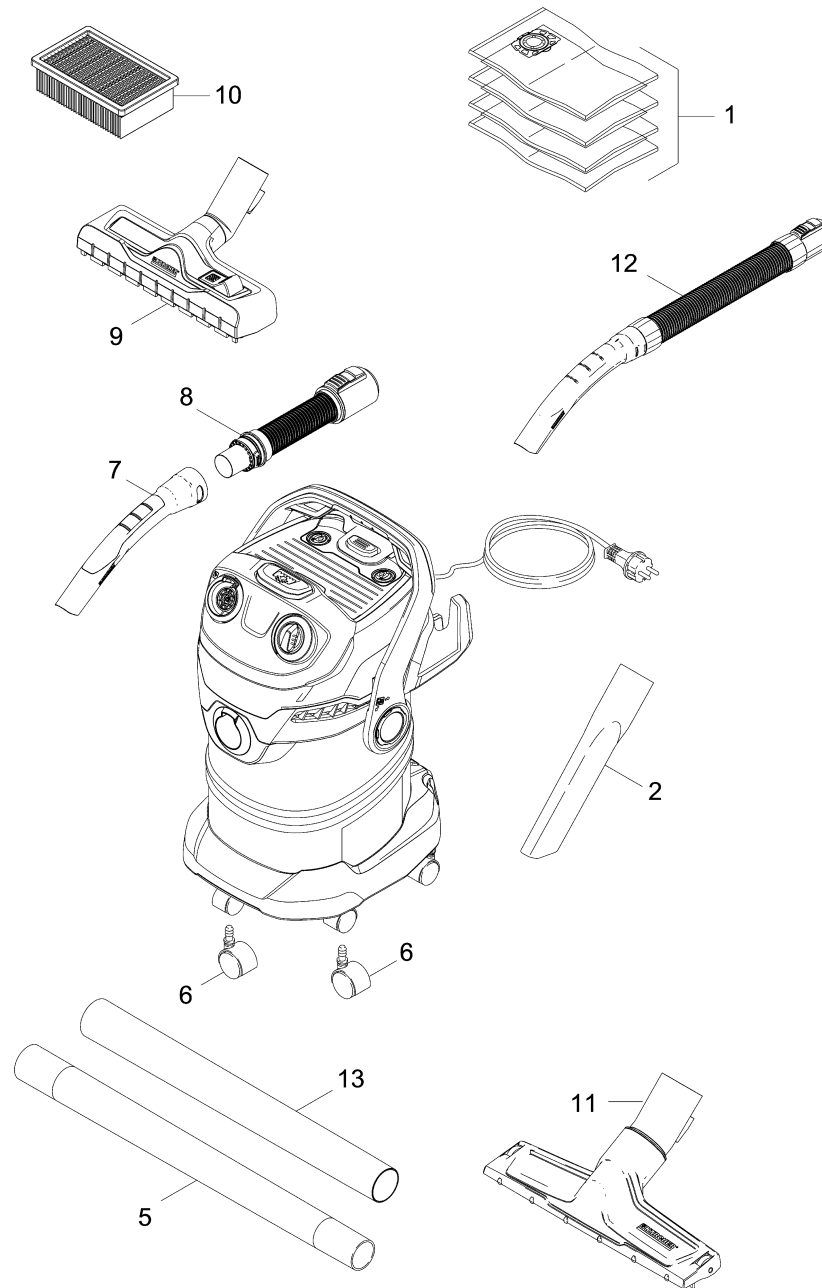


Short spare parts list (1.348-238.3)

Home and Garden \ Vacuum cleaner \ Wet-/Dry vacuum cleanerwet \ WD 5 Premium Renovation Kit *EU-II \ Short spare parts list



Short spare parts list (1.348-238.3)

Home and Garden \ Vacuum cleaner \ Wet-/Dry vacuum cleanerwet \ WD 5 Premium Renovation Kit *EU-II \ Short spare parts list

KÄRCHER

POS	Article no.	Description	Quantity	Unit
1	2.863-006.0	Filter bags-fleece set packaged 4x	1.000	ST
2	6.900-385.0	Crevice nozzle DN35	1.000	ST
5	2.863-148.0	Suction tube DN35	2.000	ST
6	9.036-479.0	Castor D50	5.000	ST
7	2.863-012.0	Hand grip suction hose	1.000	ST
8	4.441-067.0	Suction hose complete for replacement	1.000	ST
9	2.863-000.0	Floor tool switchable packaged	1.000	ST
10	2.863-005.0	Flat-pleated filter packaged WD 4/5/6	1.000	ST
11	4.629-019.0	Bulk waste nozzle packaged DN 45	1.000	ST
12	4.441-077.0	Suction hose complete packaged DN 45	1.000	ST
13	2.863-023.0	Suction tube packaged DN 45	2.000	ST