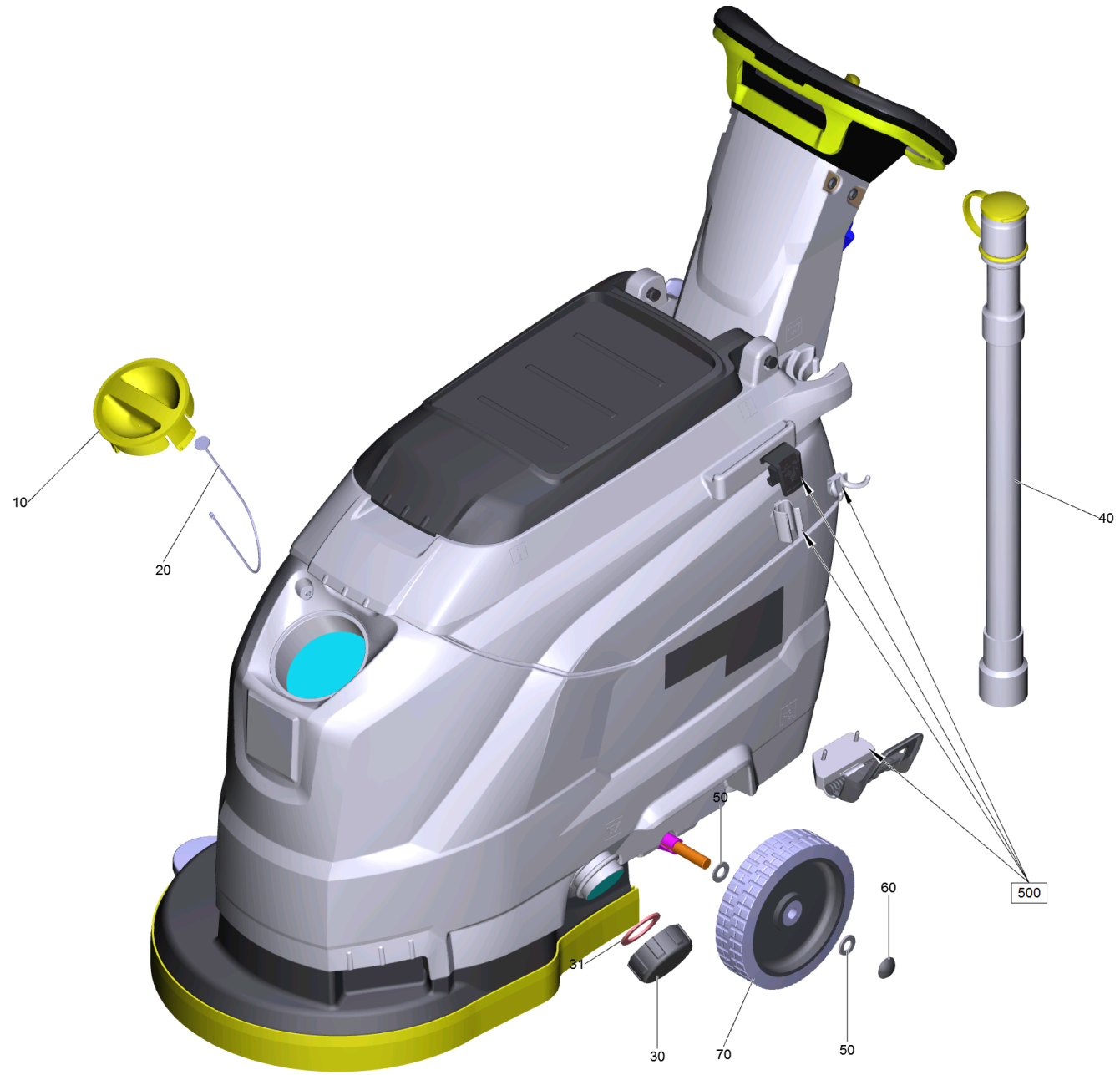


# 100 Short spare parts list (1.515-400.3)

Professional \ Floor cleaner \ Walk behind \ BD 43/25 C Bp \ Short spare parts list



## 100 Short spare parts list (1.515-400.3)

Professional \ Floor cleaner \ Walk behind \ BD 43/25 C Bp \ Short spare parts list



POS	Article no.	Description	Quantity	Unit
10	5.035-380.0	Cover fresh water filler neck	1.000	ST
20	5.035-358.0	Mounting rope cover fresh water tank	1.000	ST
30	9.763-007.0	Cover fresh water tank	1.000	ST
31	9.763-008.0	Seal fresh water discharge	1.000	ST
40	9.755-481.0	Drain hose with cover replacement	1.000	ST
50	7.312-028.0	Washer 14-200HV-A3E ISO7090	4.000	ST
60	6.343-240.0	Lock washer	2.000	ST
70	9.763-081.0	Wheel D200	2.000	ST
500	9.753-023.0	Mop holder complete	1.000	ST