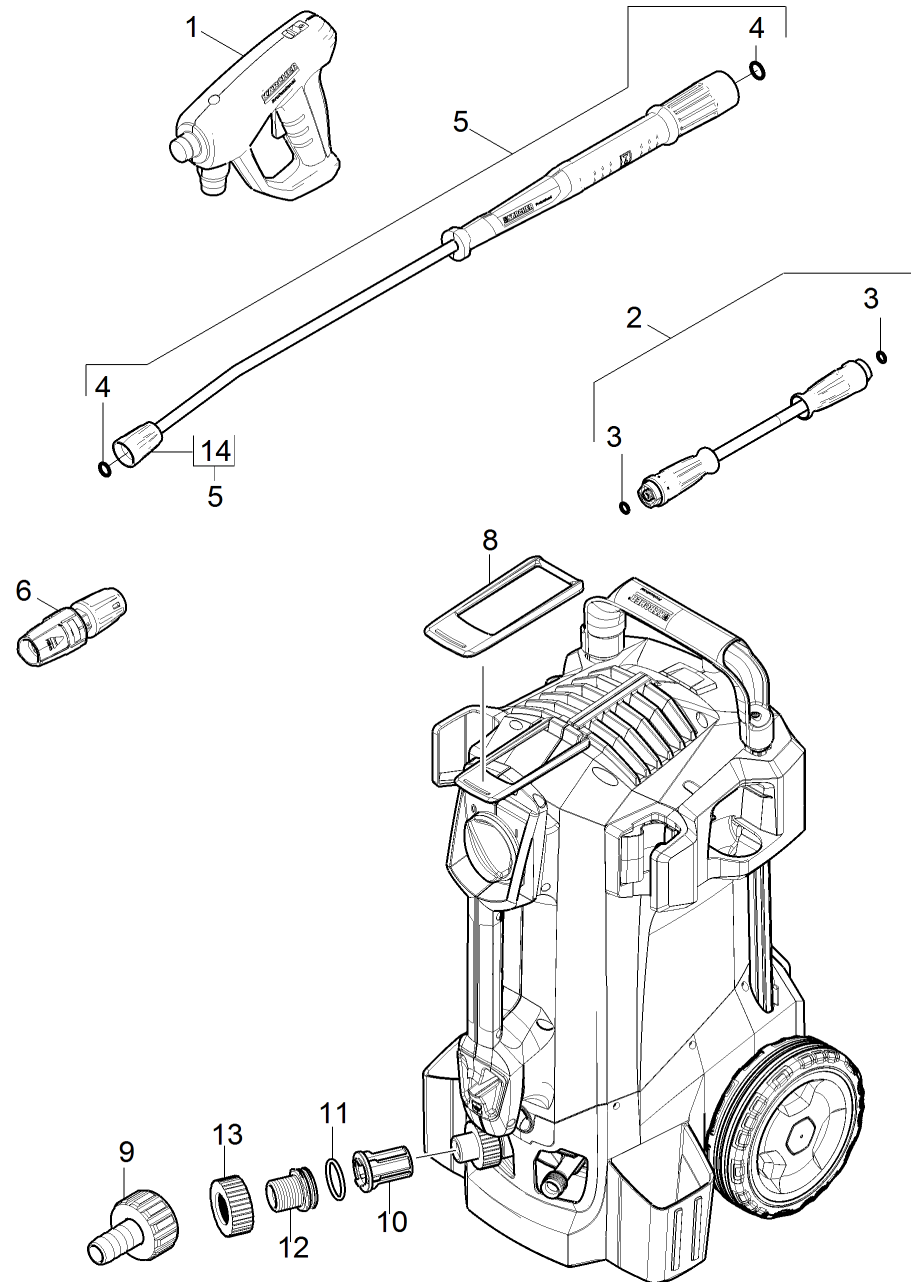


50 Short spare parts list (1.520-940.3)

Professional \ High pressure cleaner cold water \ Electric motor \ HD 5/17 C *EU \ Short spare parts list



50 Short spare parts list (1.520-940.3)

Professional \ High pressure cleaner cold water \ Electric motor \ HD 5/17 C *EU \ Short spare parts list

KÄRCHER

| POS | Article no. | Description | Quantity | Unit |
|-----|-------------|---|----------|------|
| 1 | 4.118-005.0 | EASY!Force Advanced | 1.000 | ST |
| 2 | 6.110-034.0 | Hose assembly TR DN6 25MPa 10m | 1.000 | ST |
| 3 | 2.880-154.0 | O-Ring kit | 1.000 | ST |
| 4 | 2.880-001.0 | Spare part set seals TR | 2.000 | ST |
| 5 | 4.112-006.0 | Jet pipe TR 840 mm | 1.000 | ST |
| 6 | 4.117-023.0 | Triple jet nozzle TR 027 | 1.000 | ST |
| 8 | 5.379-043.0 | Strap | 1.000 | ST |
| 9 | 4.401-056.0 | Screw connector part | 1.000 | ST |
| 10 | 5.731-666.0 | Filter cartridge with cone | 1.000 | ST |
| 11 | 6.363-437.0 | O-Ring seal 30x3 | 1.000 | ST |
| 12 | 5.064-423.0 | Connection piece water intake | 1.000 | ST |
| 13 | 5.064-465.0 | Nut water intake | 1.000 | ST |
| 14 | 4.112-011.0 | Protection part TR only for replacement | 1.000 | ST |