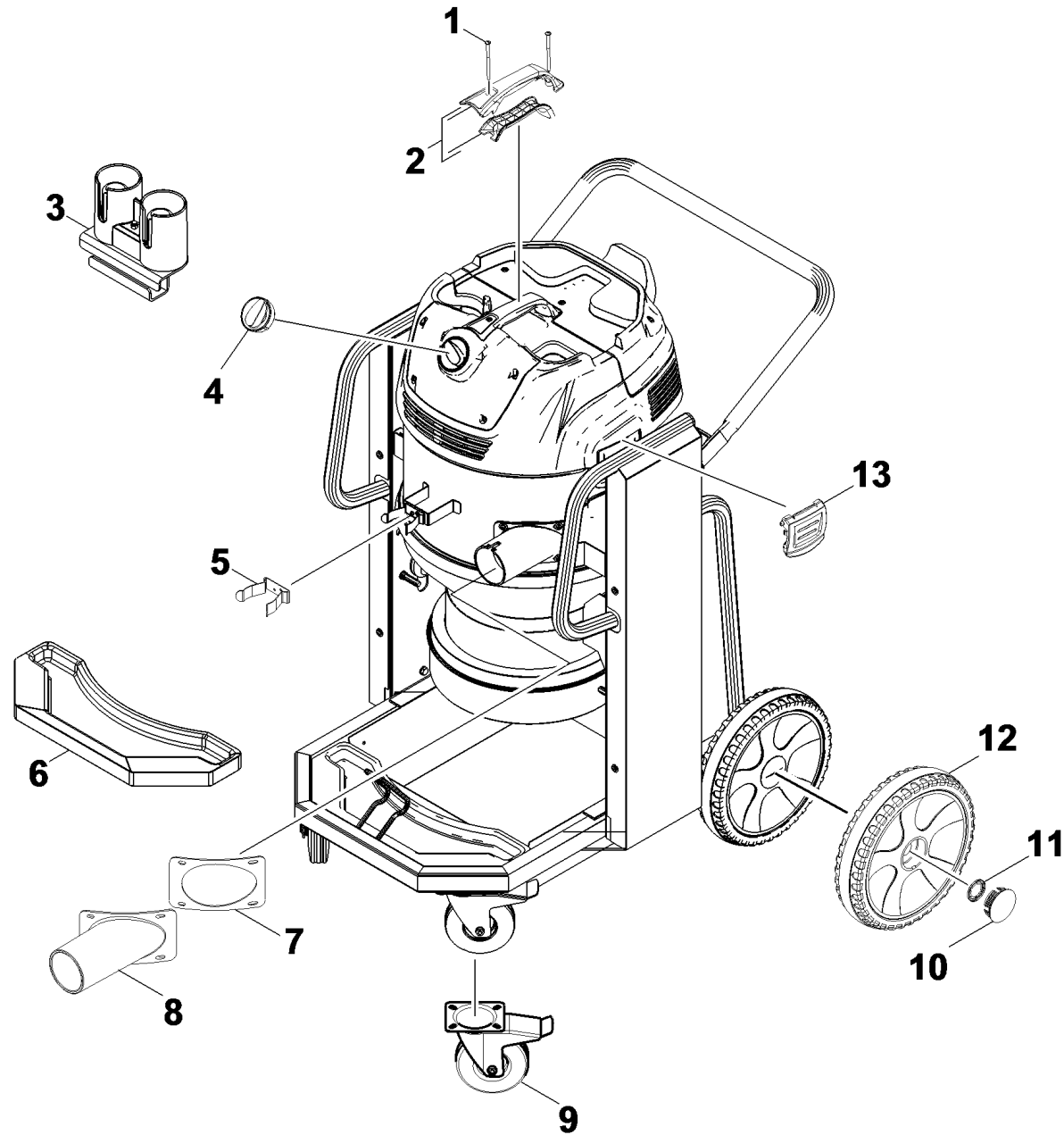


## 5 Short spare parts list (1.576-114.3)

Professional \ Industrial cleaning systems \ Vacuum cleaner \ IVC \ IVC 60/24-2 Tact<sup>2</sup> Lp \ Short spare parts list



## 5 Short spare parts list (1.576-114.3)

Professional \ Industrial cleaning systems \ Vacuum cleaner \ IVC \ IVC 60/24-2 Tact<sup>2</sup> Lp \ Short spare parts list

**KÄRCHER**

POS	Article no.	Description	Quantity	Unit	Foot note text
1	7.303-171.0	Screw 5x80 -10.9-R2R (K-In6Rd)	2.000	ST	
2	4.322-002.0	Handhold set	1.000	ST	
3	4.645-412.0	Accessories holder complete	1.000	ST	Accessories optional
4	5.744-023.0	Handle	1.000	ST	
5	6.392-158.0	Clamp 50mm	1.000	ST	
6	5.039-065.0	Tub chassis	1.000	ST	
7	5.363-771.0	Seal suction nipple	1.000	ST	
8	5.033-618.0	Suction nipple	1.000	ST	
9	6.435-793.0	Castor 155mm	2.000	ST	
10	2.889-086.0	Set wheel cap	1.000	ST	
11	6.343-162.0	Lock washer -25	2.000	ST	
12	4.515-326.0	Wheel complete	2.000	ST	
13	5.033-434.0	Locking clip	2.000	ST	