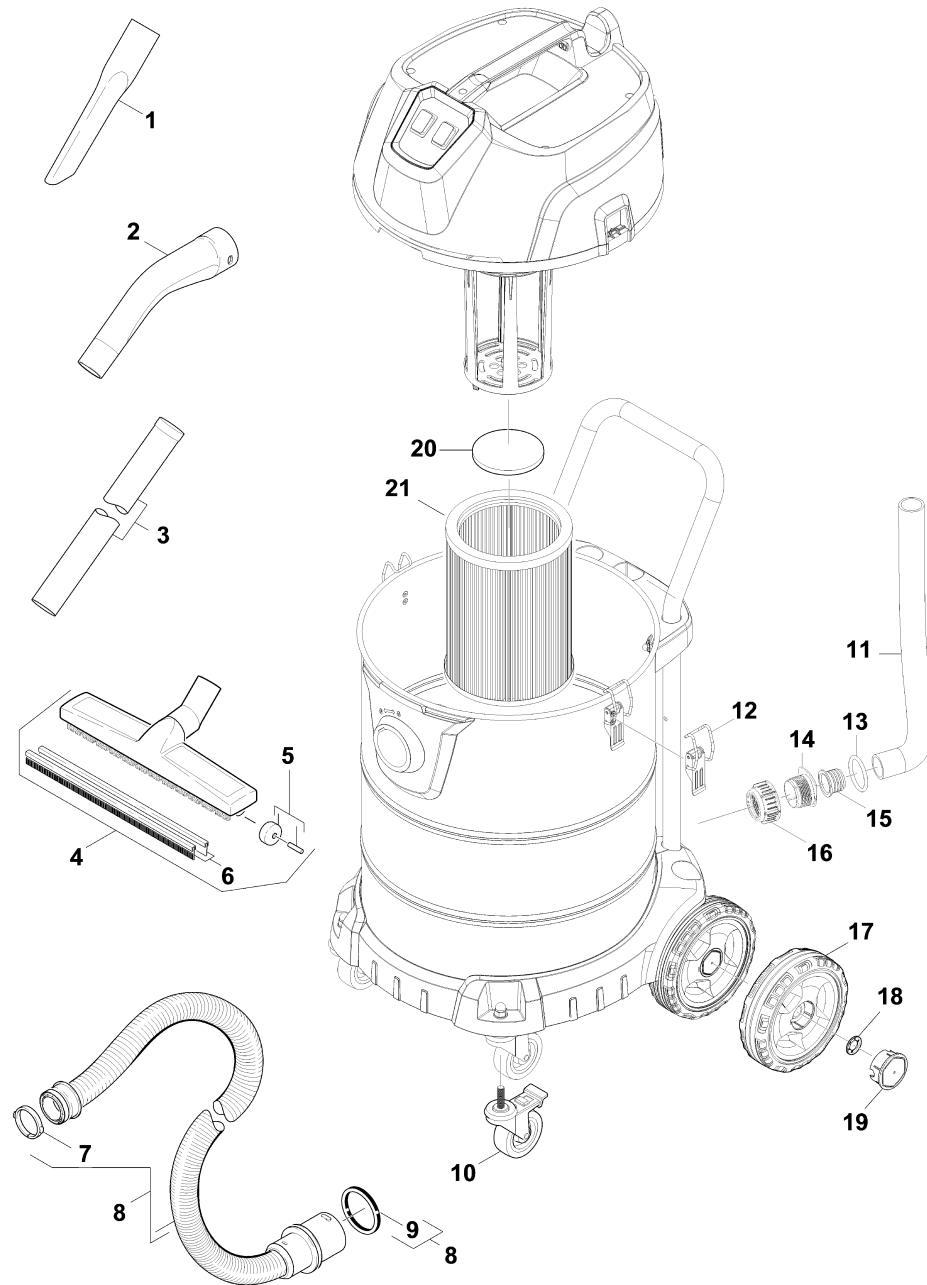


8 Short spare parts list (1.667-224.3)

Professional \ Vacuum cleaner \ Wet-/dry vacuum cleaner \ NT 70/2 Me Classic *EU \ Short spare parts list

KÄRCHER



8 Short spare parts list (1.667-224.3)

Professional \ Vacuum cleaner \ Wet-/dry vacuum cleaner \ NT 70/2 Me Classic *EU \ Short spare parts list

KÄRCHER

POS	Article no.	Description	Quantity	Unit
1	6.903-033.0	Crevice nozzle DN40	1.000	ST
2	5.031-904.0	Elbow	1.000	ST
3	6.900-275.0	Suction tube DN40-0,55m	2.000	ST
4	6.907-408.0	Floor tool packaged basalt grey DN40	1.000	ST
5	4.515-342.0	Roller complete with axle	2.000	ST
6	6.905-877.0	Rubber lip set only for replacement	1.000	ST
7	5.031-905.0	Tension ring C40	1.000	ST
8	9.755-475.0	Suction hose complete replacement	1.000	ST
9	9.770-991.0	Joint ring	1.000	ST
10	9.770-921.0	Castor with brake	2.000	ST
11	9.770-923.0	Drain hose	1.000	ST
12	9.770-875.0	Locking clip	2.000	ST
13	9.770-928.0	O-Ring seal 44,0x5,0	1.000	ST
14	9.770-894.0	Adapter drain hose	1.000	ST
15	9.770-929.0	Flanged bushing	1.000	ST
16	9.770-878.0	Nut drain hose	1.000	ST
17	5.515-361.0	Wheel D180	2.000	ST
18	6.343-168.0	Lock washer	2.000	ST
19	5.392-980.0	Wheel cap small	2.000	ST
20	5.365-326.0	Foam air circulation	1.000	ST
21	9.770-988.0	Cartridge filter	1.000	ST
21	6.907-038.0	Cartridge filter paper	1.000	ST