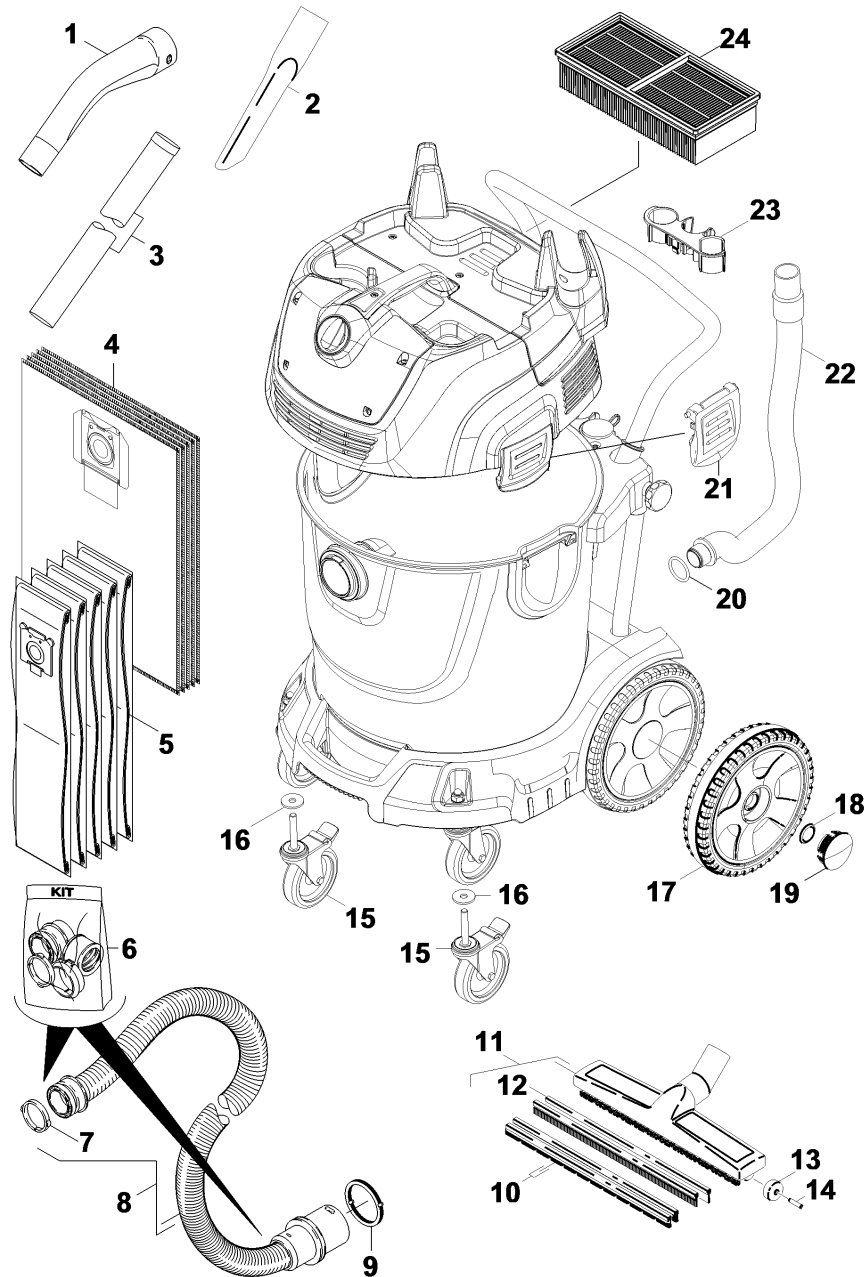


## 5 Short spare parts list (1.667-286.3)

Professional \ Vacuum cleaner \ Wet-/dry vacuum cleaner \ NT 65/2 Tact<sup>2</sup> \*EU \ Short spare parts list



## 5 Short spare parts list (1.667-286.3)

Professional \ Vacuum cleaner \ Wet-/dry vacuum cleaner \ NT 65/2 Tact<sup>2</sup> \*EU \ Short spare parts list

**KÄRCHER**

POS	Article no.	Description	Quantity	Unit
1	5.032-427.0	Elbow C40	1.000	ST
2	6.903-033.0	Crevice nozzle DN40	1.000	ST
3	6.900-275.0	Suction tube DN40-0,55m	2.000	ST
4	6.904-424.0	Filter bag fleece 5 Stck.	1.000	ST
5	6.904-285.0	Filter bags 5St. -NT 65/2 ECO	1.000	ST
6	2.639-873.0	Repair set	1.000	ST
7	5.031-905.0	Tension ring C40	1.000	ST
8	6.906-546.0	Suction hose electrically conducting C40	1.000	ST
9	6.273-009.0	Joint ring EPDM	1.000	ST
10	6.905-878.0	Brush strips set only for replacement	1.000	ST
11	6.906-554.0	Floor tool DN40	1.000	ST
12	6.905-877.0	Rubber lip set only for replacement	1.000	ST
13	6.435-292.0	Roller only for replacement	2.000	ST
14	6.437-026.0	Axle	2.000	ST
15	6.435-765.0	Castor with brake 100	2.000	ST
16	7.312-262.0	Washer 10 -100HV-A3E ISO 7094	2.000	ST
17	4.515-320.0	Wheel complete	2.000	ST
18	6.343-162.0	Lock washer -25	2.000	ST
19	2.889-086.0	Set wheel cap	1.000	ST
20	6.363-562.0	O-Ring seal	1.000	ST
21	5.033-434.0	Locking clip	1.000	ST
22	6.392-981.0	Drain hose DN 32 Verschluss gelb	1.000	ST
23	5.044-504.0	Holder accessories small gelb	1.000	ST
24	6.907-276.0	Flat-pleated filter cellulose packaged	1.000	ST